



**Count on it.**

**Parts Catalog**

**Workman® MDE Utility Vehicle**

Model No. 07299—Serial No. 312000001 and Up



# Ordering Replacement Parts

To order replacement parts, please supply the part number, the quantity, and the description of each part desired.

## Understanding Reference Numbers

Each identified part in an illustration has a reference number. The reference number for a part also appears in the parts list, along with other information about the part.

This catalog uses two special reference number formats, one to indicate parts in a service assembly and another to indicate the quantity of a given part in an illustration.

## Service Assembly Reference Numbers

Parts in service assemblies have reference numbers in the form a:b. The a represents the reference number of the entire service assembly and the b represents a sequential number unique to each part within the service assembly.

For example, a wheel assembly might be identified by reference number 6, the tire by 6:1, the valve by 6:2, and the wheel by 6:3. When you order the assembly identified by reference number 6, you receive all parts identified by reference numbers 6:1, 6:2, and 6:3. However, you may also order any part individually. Reference numbers of this type appear in illustration and in parts lists.

## Reference Numbers Indicating Quantity

In an illustration, if a reference number indicates more than one part, the reference number has the form nX y. The n represents the quantity of the part, the X is the multiplication symbol, and the y represents the reference number.

For example, in an illustration, the reference number 2X 37 means that two of the parts identified by reference number 37 are indicated.

# List of Abbreviations

**AR:** as required

**ASM:** assembly

**BBC:** blade brake control

**BHTF:** button head thread forming

**CARR:** carriage

**CCW:** counter clockwise

**CW:** clockwise

**DEG:** degrees

**DPA:** Dual Point Adjustment

**ECM:** electronic control module

**EXT:** external

**FH:** flat head

**GA:** gauge

**HD:** heavy-duty

**HF:** hex flange

**HH:** hex head

**HHF:** hex head flange

**HHFTF:** hex head flange thread forming

**HJ:** hex jam

**HLH:** hex lag head

**HOC:** height-of-cut

**HSBH:** hex socket button head

**HSFH:** hex socket flat head

**HSH:** hex socket head

**HWH:** hex washer head

**HWHTF:** hex washer head thread forming

**HYD:** hydraulic

**LH:** left hand

**LP:** Liquefied Petroleum Gas

**LPG:** Liquefied Petroleum Gas

**NI:** nylon insert

**NPTF:** national pipe thread fine

**PFH:** phillips flat head

**PPH:** phillips pan head

**PPHTF:** phillips pan head thread forming

**PRH:** phillips round head

**PTH:** phillips truss head

**PTO:** power-take-off

**RH:** right hand

**ROPS:** roll-over protection system

**RRB:** rear roller brush

**SFH:** slotted fillister head

**SHH:** slotted hex head

**SHWH:** slotted hex washer head

**SPH:** slotted pan head

**SQH:** square head

**SRH:** slotted round head

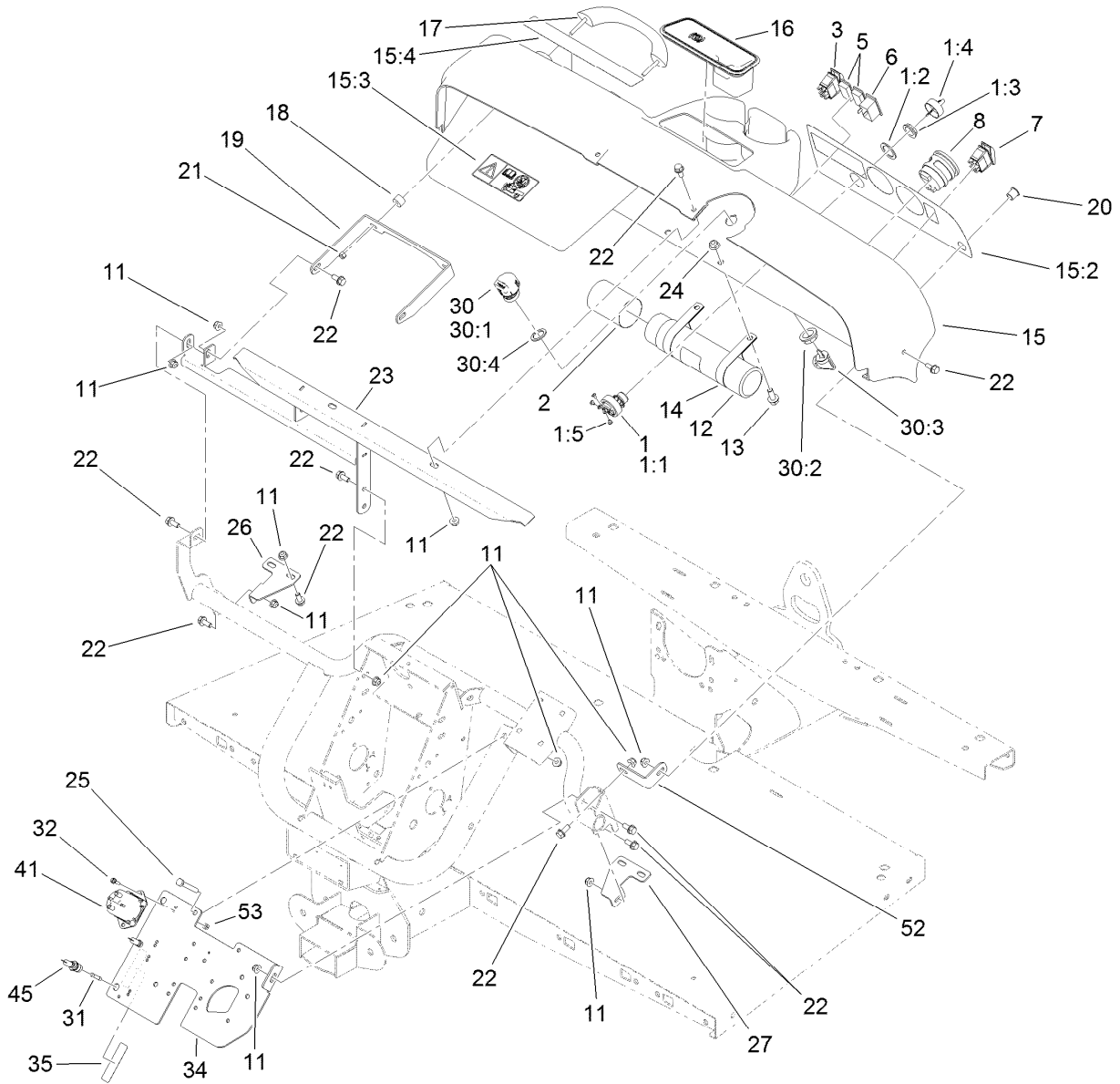
**STD:** standard

**TAP:** self tapping

**TTH:** torx truss head

# Contents

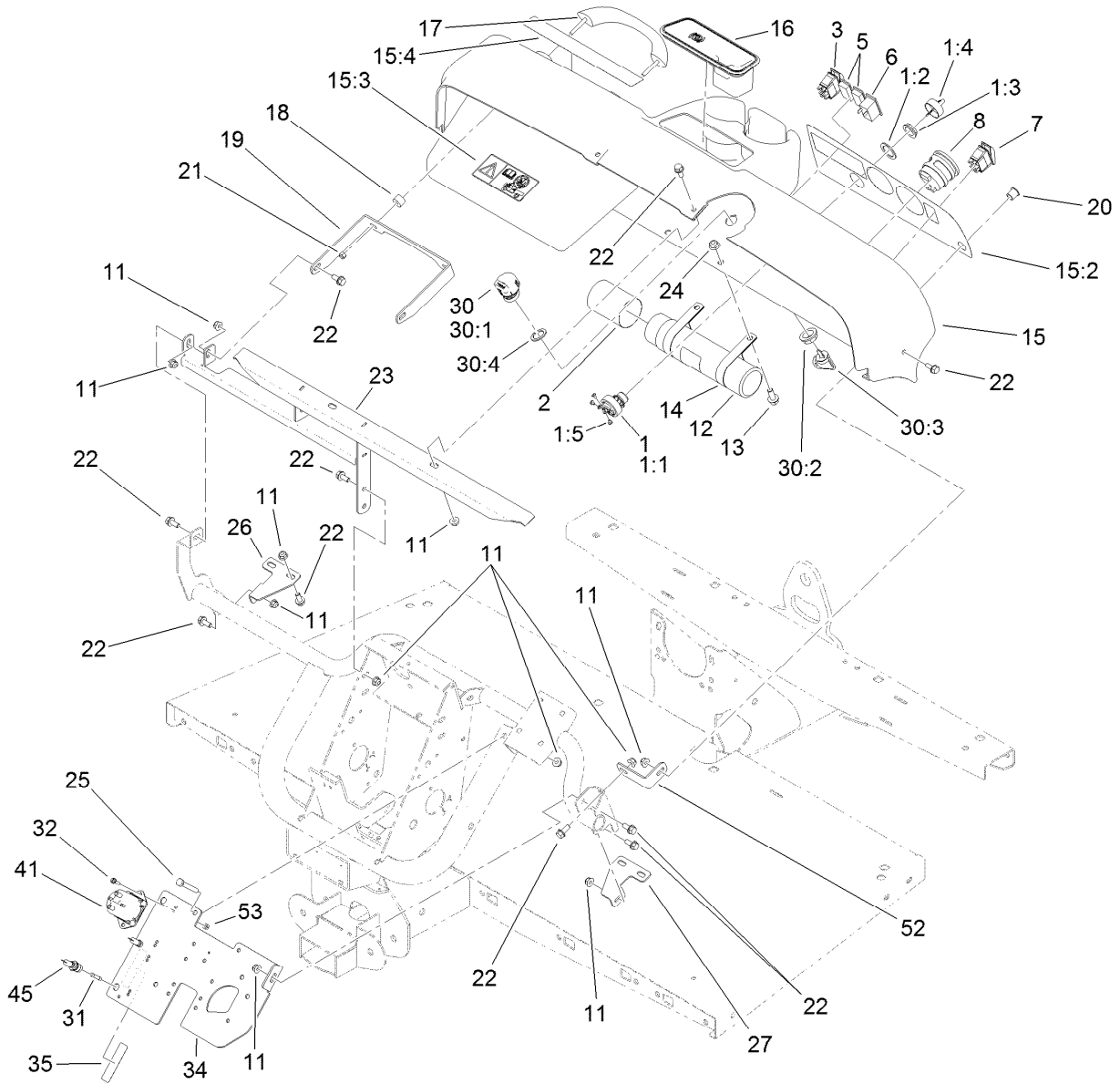
|  |    |
|--|----|
| Dash Assembly .....                                  | 4  |
| Solenoid Assembly No. 104-7135 .....                 | 6  |
| Pedal Box Assembly .....                             | 7  |
| Master Cylinder and Brake Line Assembly .....        | 8  |
| Master Cylinder Assembly No. 104-6782 .....          | 9  |
| Frame Assembly .....                                 | 10 |
| Seat Base Assembly .....                             | 11 |
| Offboard 48 Volt Charger Assembly No. 112-3072 ..... | 12 |
| Front Tire, Spindle and Tie Rod Assembly .....       | 13 |
| Brake Caliper Assembly No. 119-9535 .....            | 15 |
| Controller Assembly .....                            | 16 |
| Battery and Transaxle Assembly .....                 | 17 |
| Electric Motor Assembly No. 104-7335 .....           | 18 |
| Electric Transaxle Assembly No. 114-8330 .....       | 19 |
| LH Rear Brake Assembly No. 114-8332 .....            | 21 |
| RH Rear Brake Assembly No. 114-8331 .....            | 22 |
| Upper Steering Assembly .....                        | 23 |
| Steering Box Assembly No. 112-3130 .....             | 24 |
| Cargo Bed and Tailgate Installation Assembly .....   | 25 |
| Cargo Bed Service Assembly No. 119-9710 .....        | 26 |
| Cargo Bed and Tailgate Assembly .....                | 27 |
| Hood and Fender Assembly .....                       | 28 |
| Attachments and Accessories .....                    | 29 |



## Dash Assembly

| Ref. | Part Number | Qty. | Description                       | Ref. | Part Number | Qty. | Description            |
|------|-------------|------|-----------------------------------|------|-------------|------|------------------------|
| 1    | 120-4815    | 1    | Switch-Key, 48V                   | 15:2 | 112-3310    | 1    | Decal-Dash, Ce         |
| 1:1  |             | 1    | Switch-Key ●                      | 15:3 | 104-7215    | 1    | Decal-Danger           |
| 1:2  | 108-8659    | 1    | Washer-Backup                     | 15:4 | 115-2412    | 1    | Decal-No Storage       |
| 1:3  | 108-8660    | 1    | Nut-Mounting                      | 16   | 104-6930    | 1    | Plug-Rubber            |
| 1:4  | 106-5270    | 1    | Ignition Key Set                  | 17   | 112-3320    | 1    | Handle-Grip            |
| 1:5  | 3250-28     | 3    | Screw                             | 18   | 114-8301    | 2    | Spacer                 |
| 2    | 104-7048    | 1    | Cap-Housing                       | 19   | 112-3391-03 | 1    | Bracket-Grip, Handle   |
| 3    | 107-0255    | 1    | Switch                            | 20   | 94-5627     | 1    | Plug                   |
| 5    | 99-7420     | 2    | Plug-Hole                         | 21   | 104-7201    | 2    | Nut-HF                 |
| 6    | 104-7129    | 1    | Light-Indicator                   | 22   | 110-5053    | 16   | Screw-HHF              |
| 7    | 107-0747    | 1    | Switch-Rocker                     | 23   | 115-7651-03 | 1    | Support-Dash           |
| 8    | 107-0260    | 1    | Gauge-Hour/Battery Level, 48 Volt | 24   | 104-8301    | 2    | Nut-Flange, NI         |
| 11   | 104-8300    | 18   | Nut-Flange, NI                    | 25   | 322-11      | 2    | Screw-HH               |
| 12   | 104-7050    | 1    | Tube-Manual                       | 26   | 114-8304    | 1    | Bracket-Dash Mount, RH |
| 13   | 3234-11     | 2    | Screw-HHF                         | 27   | 114-8312    | 1    | Bracket-Dash Mount, LH |
| 14   | 2412-133    | 2    | R-Clamp                           | 30   | 110-2580    | 1    | Switch-Key, Supervisor |
| 15   | 114-8311    | 1    | Dash ASM                          | 30:1 |             | 1    | Switch-Key ●           |
|      |             |      |                                   | 30:2 | 108-8660    | 1    | Nut-Mounting           |

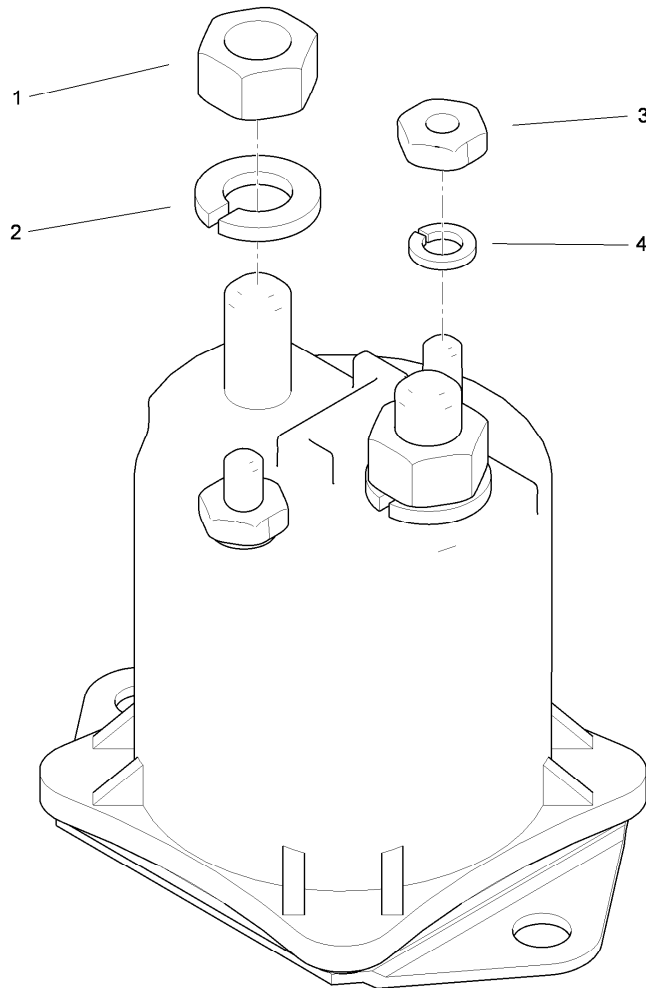
● Not serviced separately



## Dash Assembly (continued)

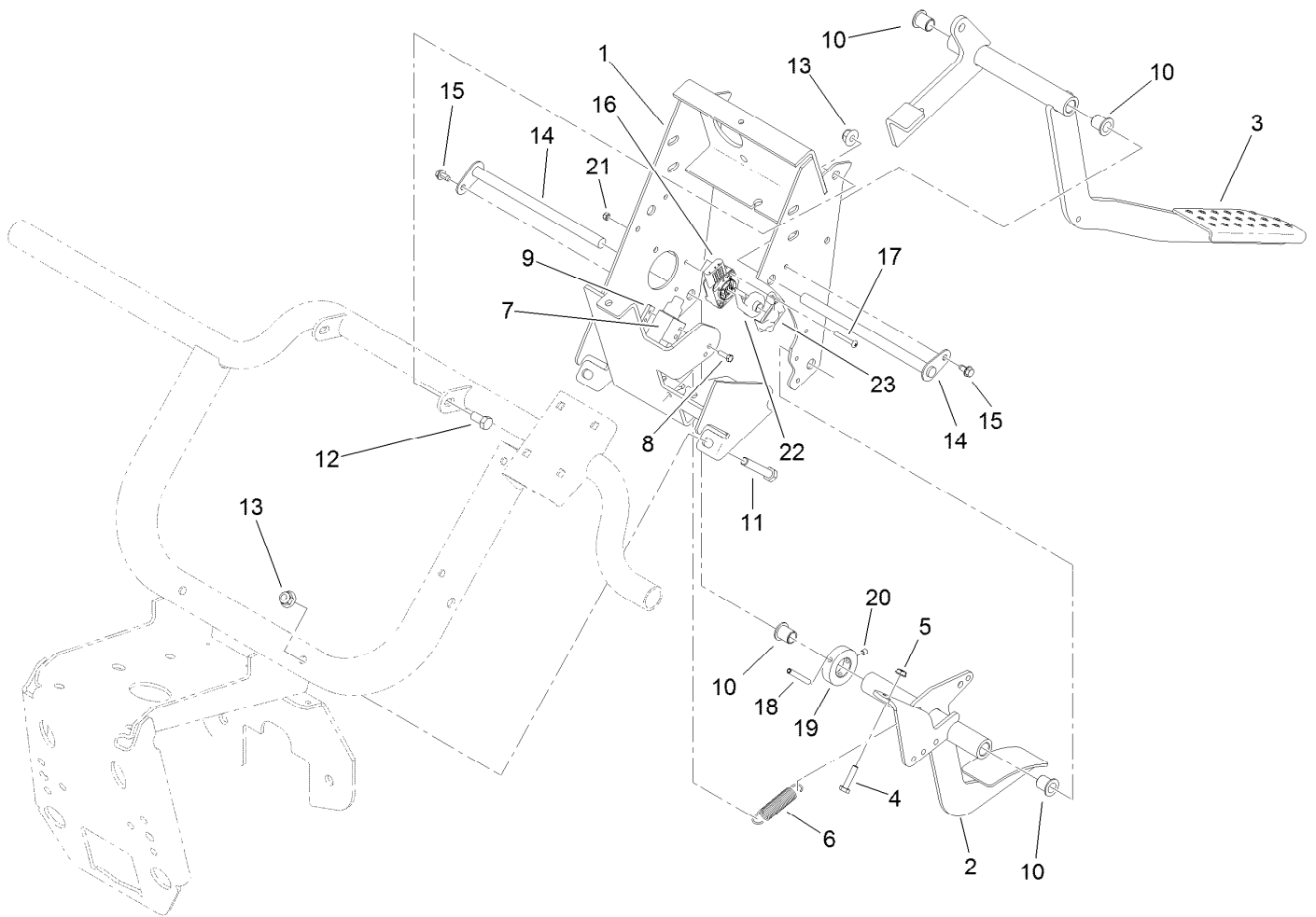
| <i>Ref.</i> | <i>Part Number</i> | <i>Qty.</i> | <i>Description</i>      | <i>Ref.</i> | <i>Part Number</i> | <i>Qty.</i> | <i>Description</i>     |
|-------------|--------------------|-------------|-------------------------|-------------|--------------------|-------------|------------------------|
| 30:3        | 110-5221           | 1           | Set-Key, Supervisor     | 35          | 115-7621           | 1           | Decal-Electrical       |
| 30:4        | 108-8659           | 1           | Washer-Backup           | 41          | 104-7135           | 1           | Solenoid               |
| 31          | 98-8876            | 2           | Fuse-10 Amp             | 45          | 218-489            | 2           | Holder-Fuse            |
| 32          | 32105-13           | 2           | Screw-HWH               | 52          | 114-8305           | 1           | Angle-Mount, Dash (LH) |
| 34          | 112-3376-03        | 1           | Plate-Mount, Electrical | 53          | 3296-2             | 2           | Nut-Lock, NI           |

● Not serviced separately



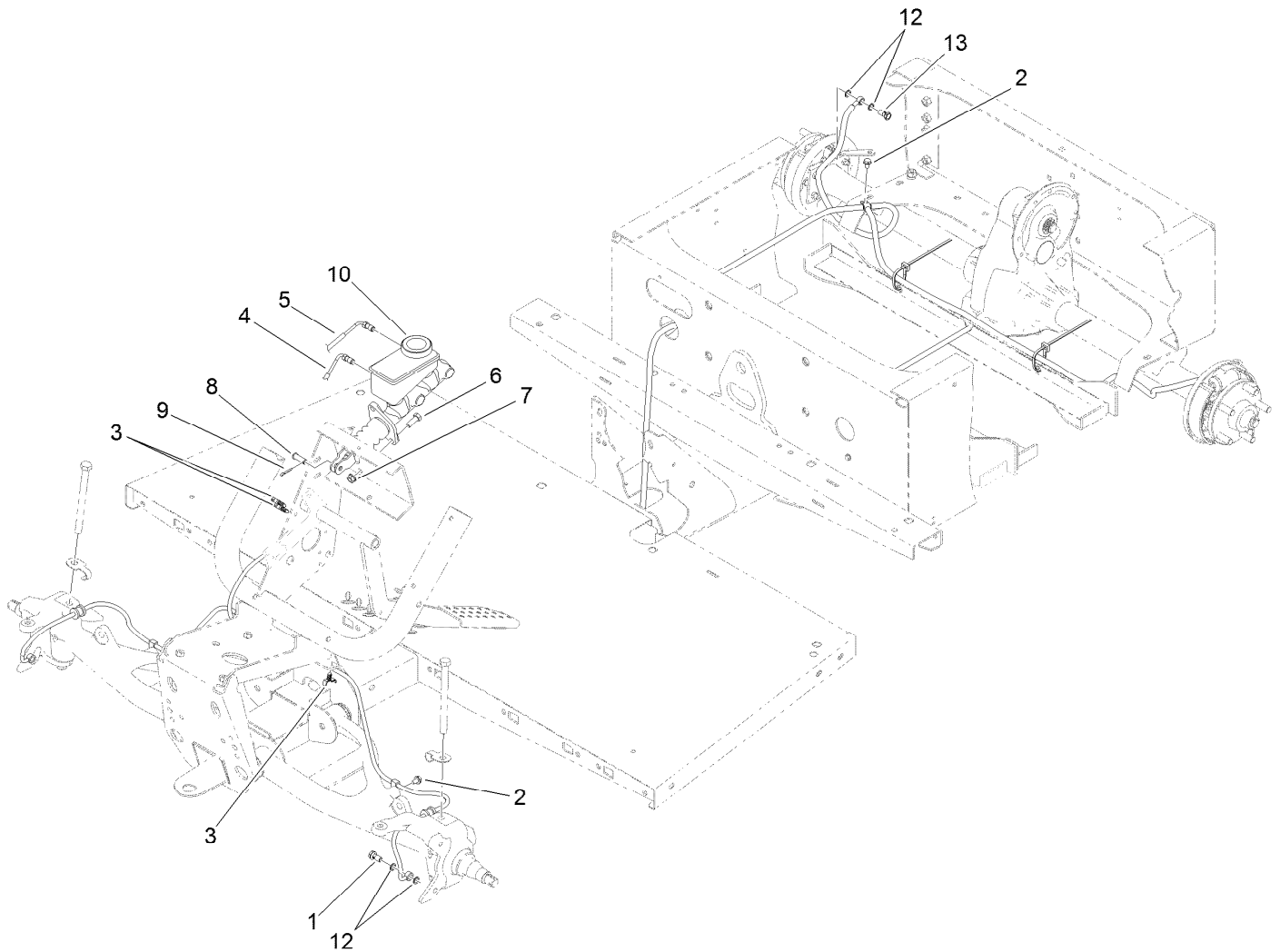
## Solenoid Assembly No. 104-7135

| <i>Ref.</i> | <i>Part Number</i> | <i>Qty.</i> | <i>Description</i> |
|-------------|--------------------|-------------|--------------------|
| 1           | 3217-6             | 2           | Nut-Hex            |
| 2           | 3253-4             | 2           | Washer-Lock        |
| 3           | 3219-14            | 2           | Nut-Hex            |
| 4           | 3253-17            | 2           | Washer-Lock        |



## Pedal Box Assembly

| <i>Ref.</i> | <i>Part Number</i> | <i>Qty.</i> | <i>Description</i>   | <i>Ref.</i> | <i>Part Number</i> | <i>Qty.</i> | <i>Description</i>  |
|-------------|--------------------|-------------|----------------------|-------------|--------------------|-------------|---------------------|
| 1           | 119-0748-03        | 1           | Support-Pedal        | 13          | 104-8301           | 4           | Nut-Flange, NI      |
| 2           | 119-9747-03        | 1           | Pedal-Throttle       | 14          | 104-7164           | 2           | Pivot-Pedal         |
| 3           | 112-3314-03        | 1           | Pedal-Brake          | 15          | 12-3270            | 2           | Screw               |
| 4           | 321-7              | 2           | Screw-HH             | 16          | 119-0737           | 1           | Sensor-Position     |
| 5           | 32149-2            | 2           | Nut-Keps             | 17          | 104-1452           | 2           | Screw-PPH           |
| 6           | 104-6415           | 1           | Spring-Return, Pedal | 18          | 117-5071           | 1           | Pin-Roll            |
| 7           | 99-7407            | 1           | Switch               | 19          | 104-7301           | 1           | Collar              |
| 8           | 3290-134           | 2           | Screw                | 20          | 3245-32            | 2           | Screw-HSH           |
| 9           | 1-633181           | 1           | Plate-Tapped         | 21          | 3296-2             | 2           | Nut-Lock, NI        |
| 10          | 256-155            | 4           | Bushing-Flange       | 22          | 117-5059           | 1           | Pivot-Sensor, Speed |
| 11          | 323-11             | 2           | Screw-HH             | 23          | 117-5061           | 1           | Retainer            |
| 12          | 323-4              | 2           | Screw-HH             |             |                    |             |                     |



## Master Cylinder and Brake Line Assembly

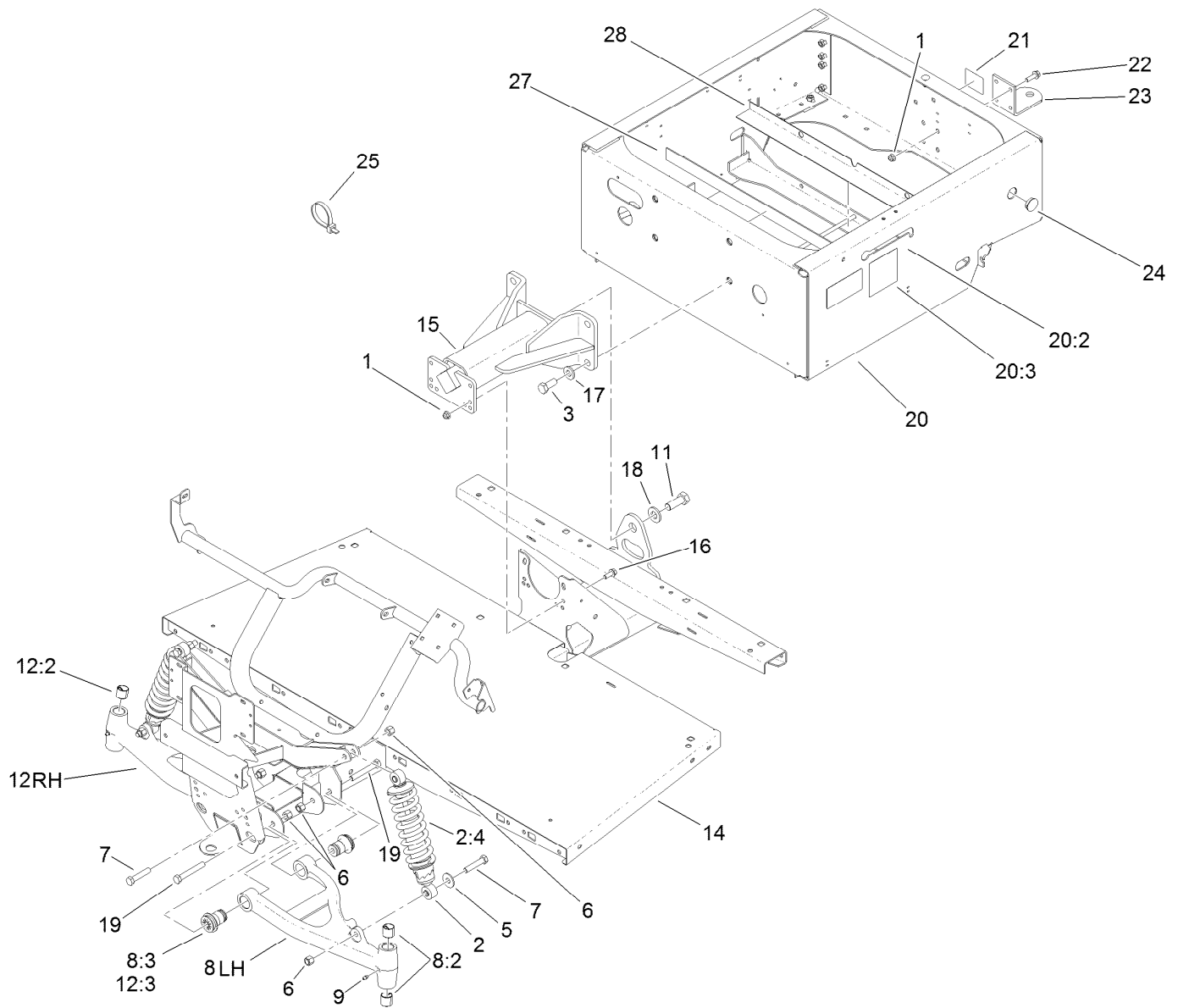
| <i>Ref.</i> | <i>Part Number</i> | <i>Qty.</i> | <i>Description</i>   |
|-------------|--------------------|-------------|----------------------|
| 1           | 120-4875           | 2           | Bolt-Flange, Banjo   |
| 2           | 32104-82           | 3           | Screw-HHF            |
| 3           | 114-8324           | 4           | Clip-Line, Brake     |
| 4           | 119-9683           | 1           | Front Brake Line ASM |
| 5           | 115-2409           | 1           | Rear Brake Line ASM  |
| 6           | 323-6              | 2           | Screw-HH             |
| 7           | 3290-357           | 2           | Nut-HHF, Whiz        |
| 8           | 283-2              | 1           | Pin-Clevis           |
| 9           | 3272-10            | 1           | Pin-Cotter           |
| 10          | 104-6782           | 1           | Master Cylinder ASM  |
| 12          | 115-2341           | 8           | Washer-Banjo         |
| 13          | 115-2340           | 2           | Bolt-Banjo           |





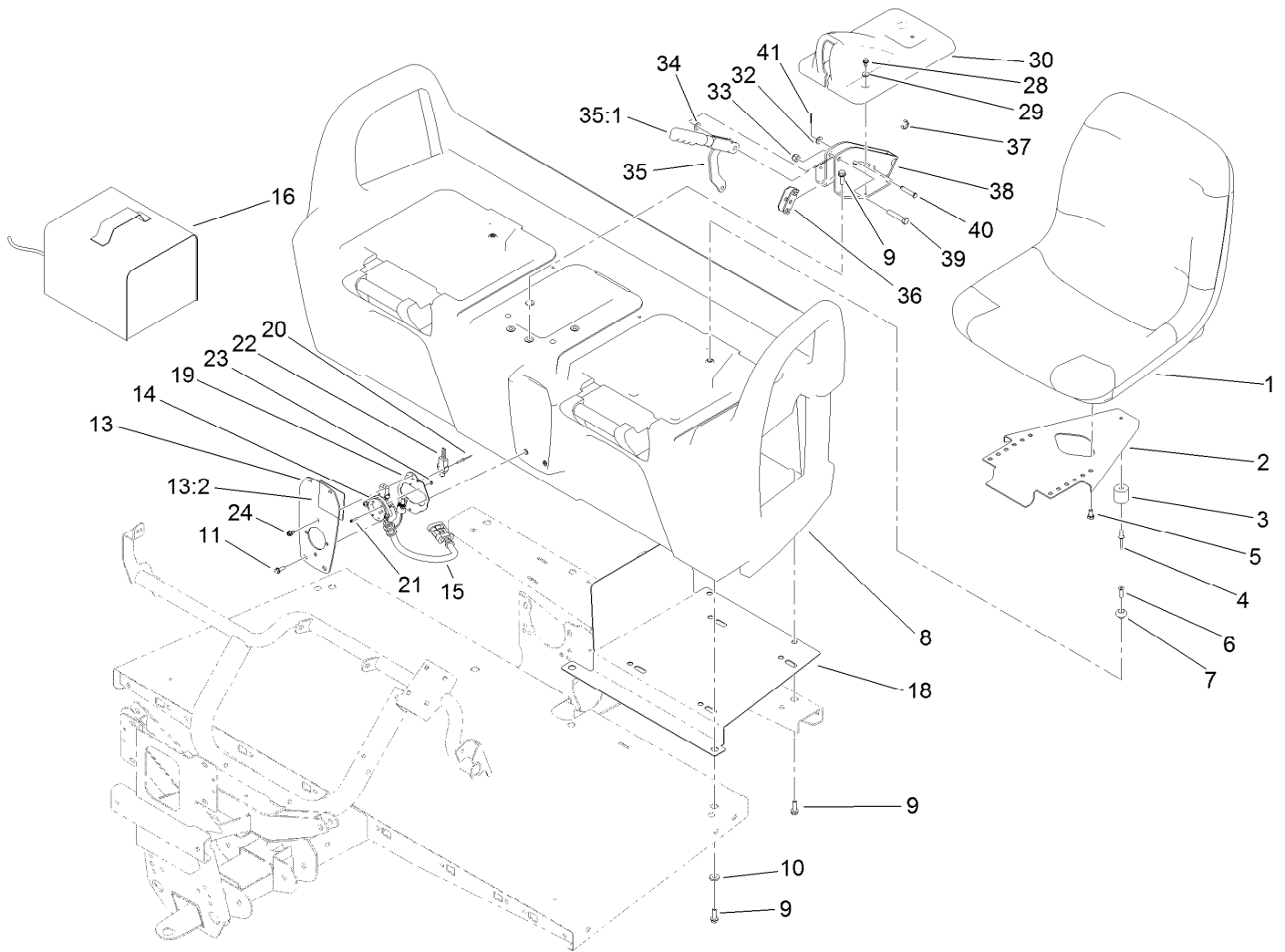
## Master Cylinder Assembly No. 104-6782

| Ref. | Part Number | Qty. | Description          |
|------|-------------|------|----------------------|
| 1    | 104-6845    | 1    | Reservoir ASM        |
| 1:1  | 92-4112     | 1    | Cap ASM              |
| 2    | 93-8971     | 2    | Seal-Port, Flange    |
| 3    | 92-4103     | 1    | Pin-Stop             |
| 4    | 92-4102     | 1    | Secondary Piston ASM |
| 5    | 92-4110     | 1    | Clevis               |
| 6    | 21-0360     | 1    | Nut-Hex              |
| 7    | 94-5209     | 1    | Cover-Dust           |
| 8    | 94-5210     | 1    | Rod-Push             |
| 9    | 92-4109     | 1    | Ring-Snap            |
| 10   | 92-4108     | 1    | Retainer-Washer      |
| 11   | 92-4101     | 1    | Primary Piston ASM   |



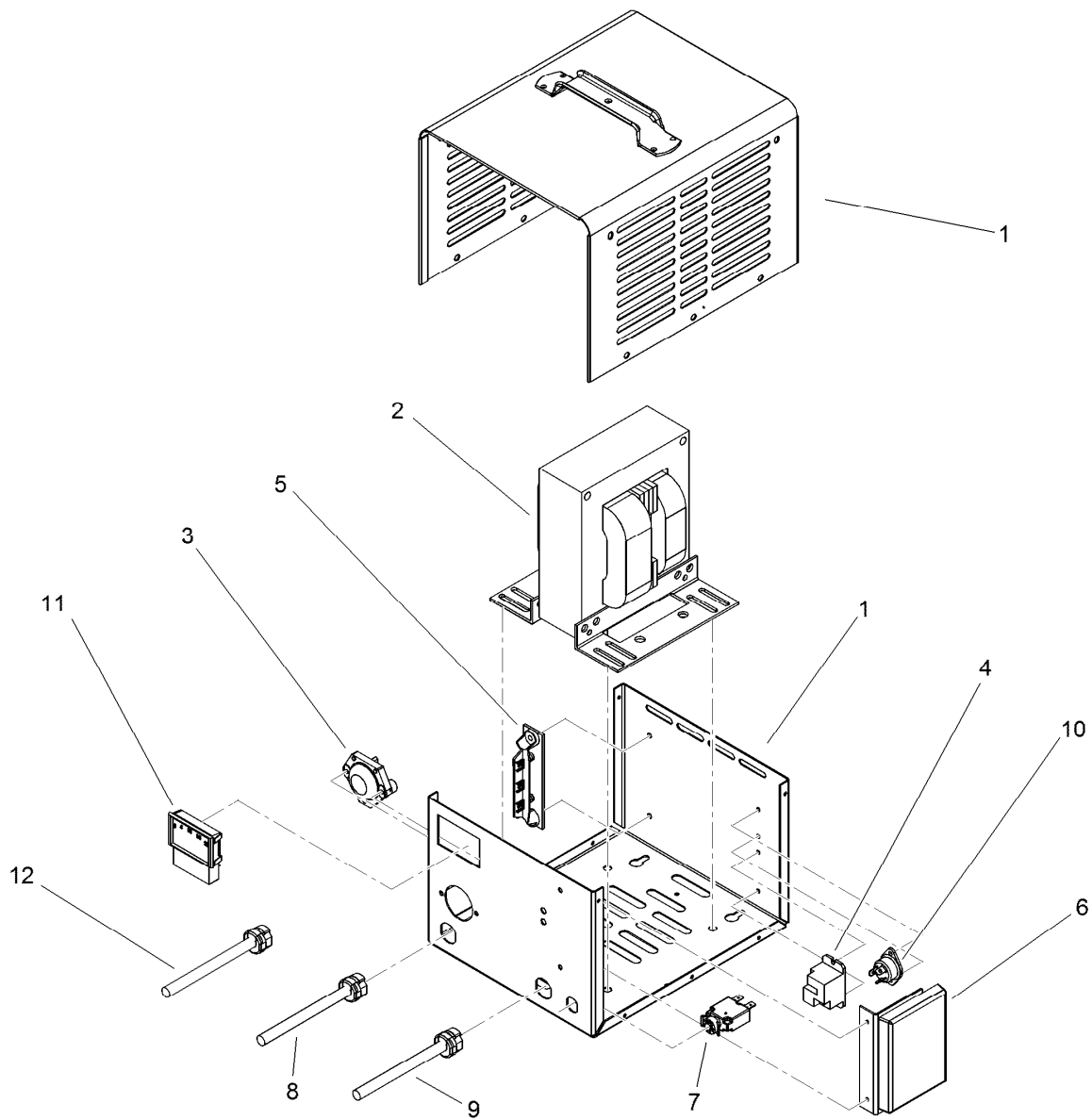
## Frame Assembly

| Ref. | Part Number | Qty. | Description      | Ref. | Part Number | Qty. | Description                      |
|------|-------------|------|------------------|------|-------------|------|----------------------------------|
| 1    | 104-8301    | 8    | Nut-Flange, NI   | 15   | 99-7700     | 1    | Pivot Yoke ASM                   |
| 2    | 112-2975    | 2    | Shock/Spring ASM | 16   | 3234-11     | 4    | Screw-HHF                        |
| 2:4  | 112-3383    | 1    | Spring           | 17   | 99-7667     | 4    | Washer-Flat                      |
| 3    | 327-4       | 4    | Screw-HH         | 18   | 87-3060     | 1    | Washer-Hardened                  |
| 5    | 51-3500     | 2    | Washer           | 19   | 325-14      | 4    | Screw-HH                         |
| 6    | 3296-23     | 8    | Nut-Lock, NI     | 20   | 119-9631    | 1    | Rear Frame ASM                   |
| 7    | 325-10      | 4    | Screw-HH         | 20:2 | 104-7207    | 2    | Decal-Electric                   |
| 8    | 114-8313    | 1    | LH A-Arm ASM     | 20:3 | 107-0257    | 1    | Decal-Polarity                   |
| 8:2  | 3-0348      | 2    | Bushing          | 21   | 99-7350     | 1    | Decal-Rating, Hitch (Light Duty) |
| 8:3  | 87-1450     | 2    | Bushing-Flange   | 22   | 3234-24     | 4    | Screw-HHF                        |
| 9    | 302-5       | 2    | Fitting-Grease   | 23   | 99-7654-03  | 1    | Hitch-Duty, Light                |
| 11   | 328-24      | 1    | Screw-HH         | 24   | 94-1402     | 1    | Plug-Hole                        |
| 12   | 114-8314    | 1    | RH A-Arm ASM     | 25   | 3290-379    | 15   | Tie-Cable                        |
| 12:2 | 3-0348      | 2    | Bushing          | 27   | 107-0252    | 1    | Pad-Battery                      |
| 12:3 | 87-1450     | 2    | Bushing-Flange   | 28   | 107-0267    | 4    | Isolator-Battery                 |
| 14   | 112-3340-03 | 1    | Frame-Front      |      |             |      |                                  |



## Seat Base Assembly

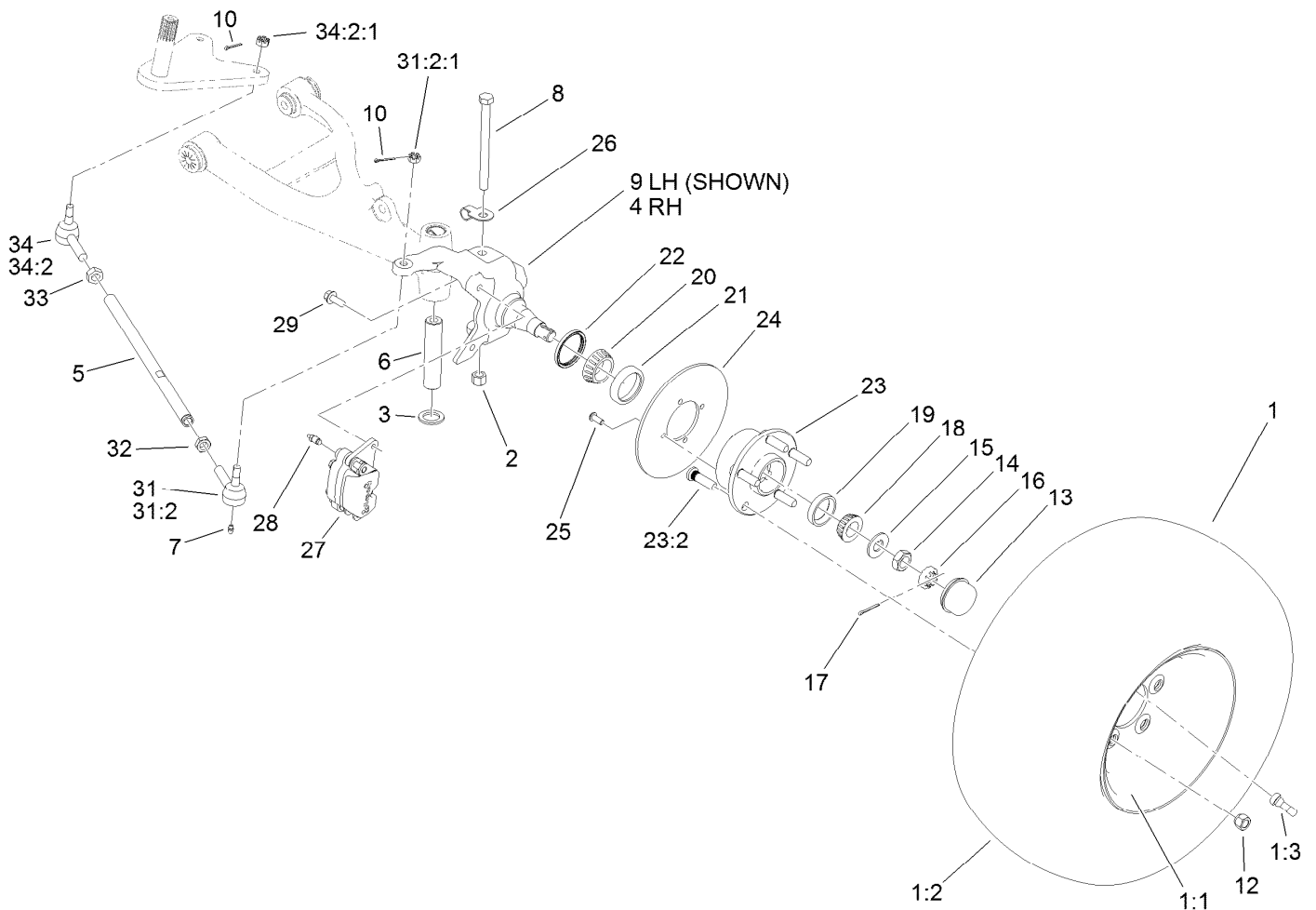
| <i>Ref.</i> | <i>Part Number</i> | <i>Qty.</i> | <i>Description</i>         | <i>Ref.</i> | <i>Part Number</i> | <i>Qty.</i> | <i>Description</i>       |
|-------------|--------------------|-------------|----------------------------|-------------|--------------------|-------------|--------------------------|
| 1           | 112-2923           | 2           | Seat ASM                   | 20          | 107-0333           | 2           | Rivet-Pop                |
| 2           | 99-7829            | 2           | Bracket-Seat               | 21          | 107-0334           | 2           | Screw-HSH                |
| 3           | 99-7830            | 2           | Rubber Receptical ASM      | 22          | 99-3410            | 1           | Switch                   |
| 4           | 3290-412           | 2           | Rivet                      | 23          | 3296-9             | 2           | Nut-Lock                 |
| 5           | 33114-016          | 8           | Screw-HH                   | 24          | 32104-17           | 4           | Screw-HWH                |
| 6           | 32108-5            | 2           | Screw-FH                   | 28          | 12-3270            | 2           | Screw                    |
| 7           | 99-7833            | 2           | Post-Holding               | 29          | 3256-1             | 2           | Washer-Flat              |
| 8           | 104-6847           | 1           | Seat Base ASM              | 30          | 104-7014           | 1           | Cover-Brake, Parking     |
| 9           | 3234-17            | 12          | Screw-HHF                  | 32          | 3256-23            | 1           | Washer-Flat              |
| 10          | 88-7200            | 8           | Washer-Flat                | 33          | 3296-39            | 1           | Nut-Lock, NI             |
| 11          | 32105-15           | 4           | Screw-HWH                  | 34          | 3290-477           | 1           | Washer-Curved            |
| 13          | 107-0370           | 1           | Plate-Receptacle           | 35          | 104-6842           | 1           | Lever-Brake, Park        |
| 13:2        | 107-0295           | 1           | Decal-Charger              | 35:1        | 106-7972           | 1           | Grip-Handle              |
| 14          | 107-0288           | 1           | Receptacle-Charger         | 36          | 87-3480            | 1           | Bracket-Equalizer, Cable |
| 15          | 115-1913           | 1           | Harness-Wire, Charger      | 37          | 32120-47           | 2           | Ring-Retaining, External |
| 16          | 112-3072           | 1           | Charger-48V T145, Offboard | 38          | 104-6844-03        | 1           | Support-Brake, Park      |
| 18          | 107-0359-03        | 1           | Tray-Seatbase              | 39          | 323-10             | 1           | Screw-HH                 |
| 19          | 107-0716           | 1           | Bracket-Mount, Socket      | 40          | 94-3829            | 1           | Pin-Clevis               |
|             |                    |             |                            | 41          | 3272-6             | 1           | Pin-Cotter               |



## Offboard 48 Volt Charger Assembly No. 112-3072

| Ref. | Part Number | Qty. | Description                  |
|------|-------------|------|------------------------------|
| 1    |             | 1    | Case ASM ●                   |
| 2    |             | 1    | Transformer ASM ●            |
| 3    | 108-1161    | 1    | Fuse ASM                     |
| 4    | 108-1162    | 1    | Relay-48V, Dc                |
| 5    | 108-1163    | 1    | Diode ASM                    |
| 6    | 112-3073    | 1    | Control Board ASM            |
| 7    | 110-2579    | 1    | Breaker-Circuit              |
| 8    | 108-1166    | 1    | Kit-Cordset, 8.5 Foot (Dc)   |
| 9    | 108-1167    | 1    | Kit-Cordset, 72 Inch (Ac) Us |
| 10   | 108-1168    | 1    | Terminal And Screw ASM       |
| 11   | 108-1169    | 1    | Ammeter                      |
| 12   | 108-3071    | 1    | Kit-Cordset, 20 Foot (Dc)    |

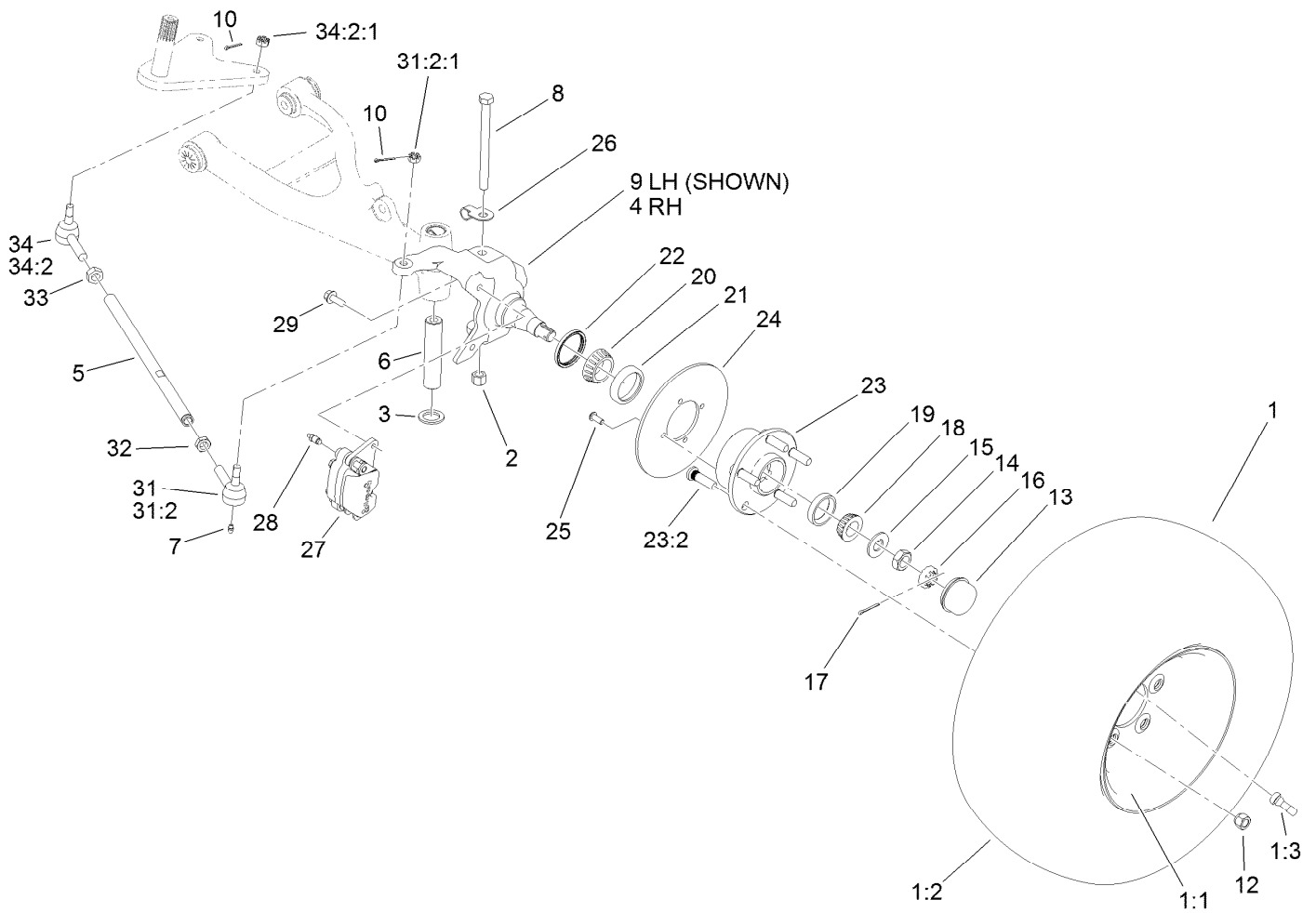
● Not serviced separately



## Front Tire, Spindle and Tie Rod Assembly

| Ref. | Part Number | Qty. | Description        | Ref.   | Part Number | Qty. | Description           |
|------|-------------|------|--------------------|--------|-------------|------|-----------------------|
| 1    | 120-5025    | 2    | Tire And Wheel ASM | 17     | 3272-12     | 2    | Pin-Cotter            |
| 1:1  | 120-4974    | 1    | Wheel              | 18     | 254-94      | 2    | Bearing-Cone, Tapered |
| 1:2  | 104-7289    | 1    | Tire               | 19     | 254-72      | 2    | Bearing-Cup, Tapered  |
| 1:3  | 232-27      | 1    | Stem-Valve         | 20     | 254-106     | 2    | Cone-Bearing, Tapered |
| 2    | 3296-23     | 2    | Nut-Lock, NI       | 21     | 254-107     | 2    | Cup-Bearing, Tapered  |
| 3    | 256-115     | 2    | Washer-Thrust      | 22     | 108-7019    | 2    | Seal-Shaft            |
| 4    | 119-9522    | 1    | Spindle-RH         | 23     | 117-8071    | 2    | Hub ASM               |
| 5    | 115-7654    | 2    | Tie Rod            | 23:2   | 10-6830     | 5    | Stud-Type, Drive      |
| 6    | 99-7499     | 2    | Sleeve-Kingpin     | 24     | 119-9520    | 2    | Rotor                 |
| 7    | 302-5       | 4    | Fitting-Grease     | 25     | 3274-55     | 8    | Screw-HSBH            |
| 8    | 325-20      | 2    | Screw-HH           | 26     | 112-3311    | 2    | Clip-Hose             |
| 9    | 119-9521    | 1    | Spindle-LH         | 27     | 119-9535    | 2    | Brake Caliper ASM     |
| 10   | 3272-7      | 4    | Pin-Cotter         | 28     | 119-9509    | 2    | Screw-Bleed           |
| 12   | 242-50      | 10   | Nut-Lug            | 29     | 3234-11     | 4    | Screw-HHF             |
| 13   | 241-119     | 2    | Cap-Dust           | 31     | 112771-03   | 2    | Joint-Ball, LH        |
| 14   | 3220-7      | 2    | Nut-Jam            | 31:2   |             | 1    | Joint-Ball, LH ●      |
| 15   | 93-0309     | 2    | Washer-Tab         | 31:2:1 | 915031      | 1    | Nut                   |
| 16   | 93-0307     | 2    | Nut-Lock, Retainer | 32     | 3218-21     | 2    | Nut-Jam               |

● Not serviced separately

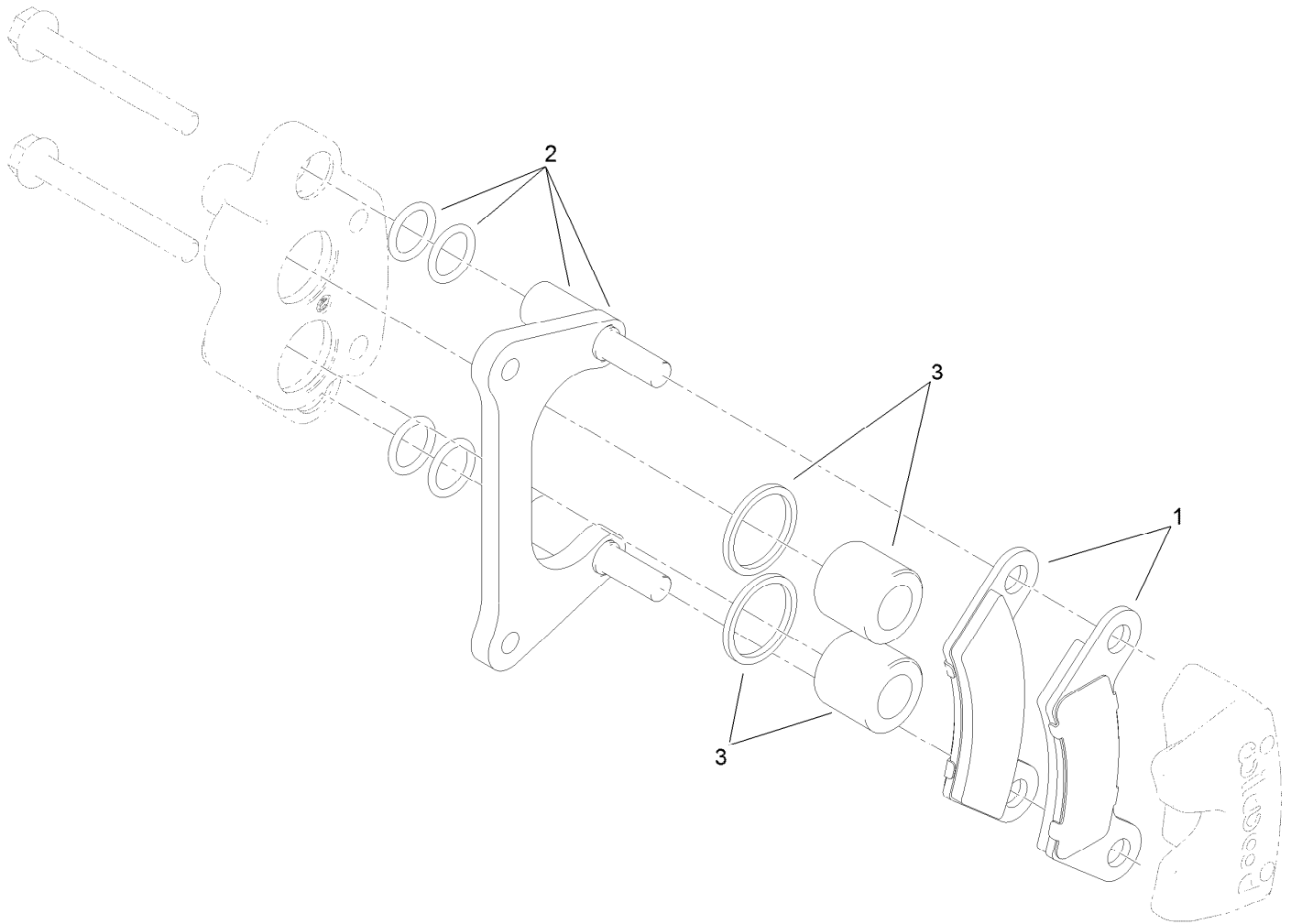


## Front Tire, Spindle and Tie Rod Assembly (continued)

| Ref. | Part Number | Qty. | Description    |
|------|-------------|------|----------------|
| 33   | 3220-11     | 2    | Nut-Jam        |
| 34   | 112772-03   | 2    | Joint-Ball, RH |

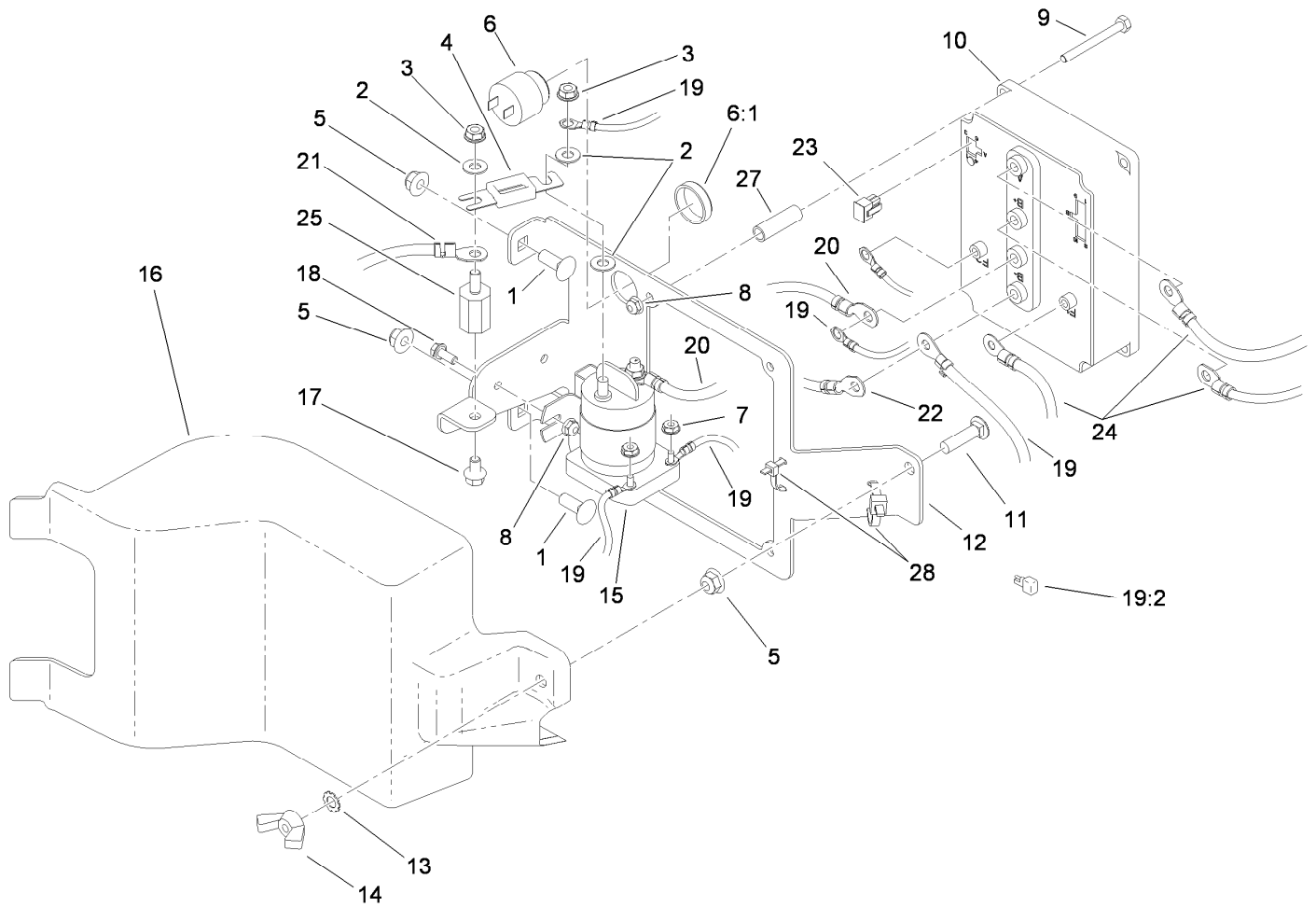
| Ref.   | Part Number | Qty. | Description      |
|--------|-------------|------|------------------|
| 34:2   |             | 1    | Joint-Ball, RH ● |
| 34:2:1 | 915031      | 1    | Nut              |

● Not serviced separately



## Brake Caliper Assembly No. 119-9535

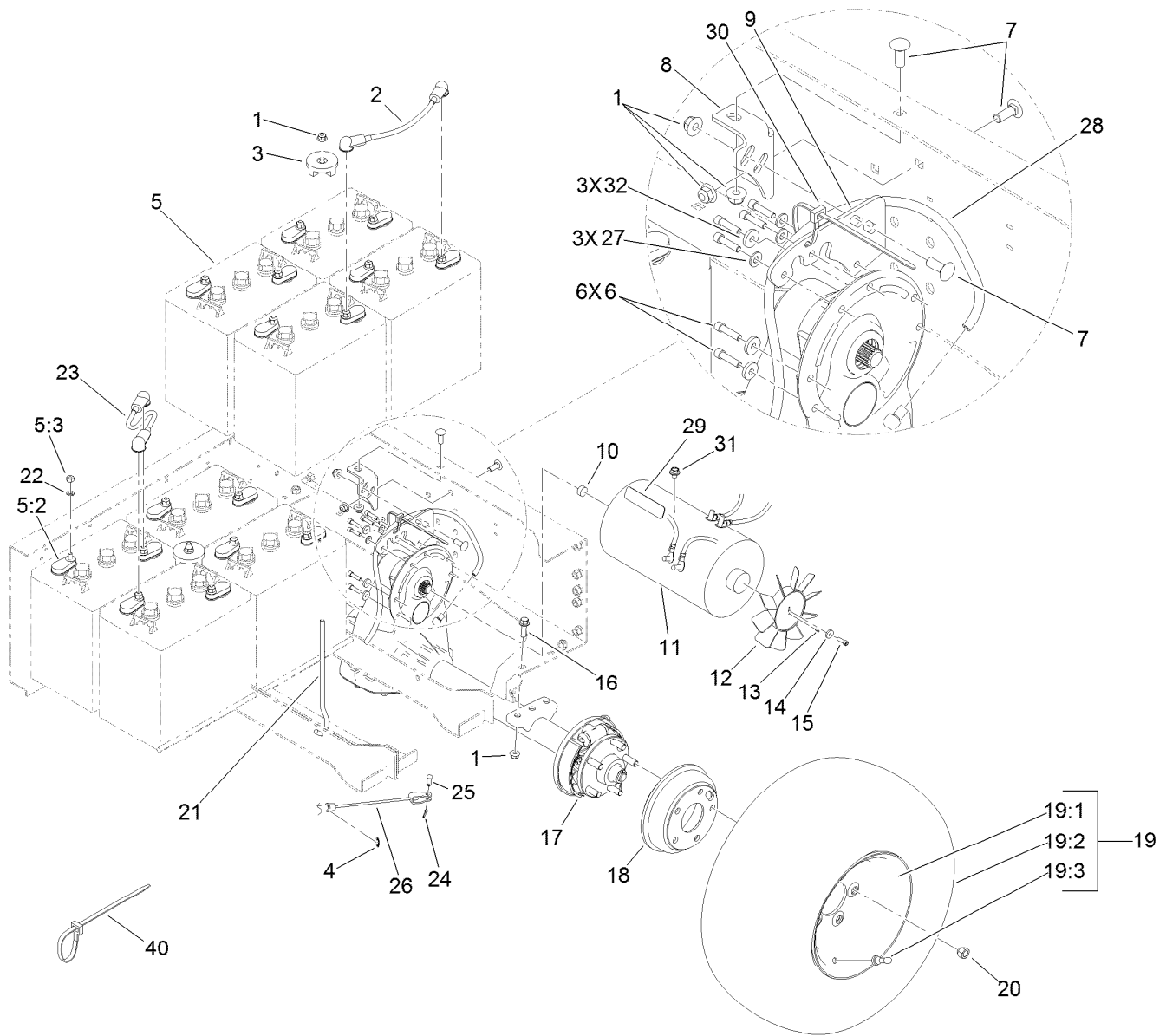
| <i>Ref.</i> | <i>Part Number</i> | <i>Qty.</i> | <i>Description</i> |
|-------------|--------------------|-------------|--------------------|
| 1           | 119-9510           | 1           | Brake Pad Kit      |
| 2           | 119-9511           | 1           | Bracket Kit        |
| 3           | 119-9512           | 1           | Piston Kit         |



## Controller Assembly

| <i>Ref.</i> | <i>Part Number</i> | <i>Qty.</i> | <i>Description</i>   | <i>Ref.</i> | <i>Part Number</i> | <i>Qty.</i> | <i>Description</i>           |
|-------------|--------------------|-------------|----------------------|-------------|--------------------|-------------|------------------------------|
| 1           | 3231-22            | 2           | Screw-CARR           | 16          | 104-7138           | 1           | Cover-Controller             |
| 2           | 107-0394           | 3           | Washer-Flat          | 17          | 100-1719           | 1           | Screw-Flange                 |
| 3           | 107-0380           | 3           | Nut-HHF              | 18          | 3234-33            | 2           | Screw-HHF                    |
| 4           | 104-7320           | 1           | Fuse                 | 19          | 117-4700           | 1           | Harness-Wire, Mid Duty Elect |
| 5           | 104-8301           | 3           | Nut-Flange, NI       | 19:2        | 100-4918           | 1           | Diode-Over Molded            |
| 6           | 94-5582            | 1           | Alarm-Audio          | 20          | 107-0740           | 1           | Cable-Battery, Positive      |
| 6:1         | 104-5107           | 1           | Nut-Plastic, Knurled | 21          | 107-0741           | 1           | Cable-Battery, Positive      |
| 7           | 32149-8            | 2           | Nut-Keps             | 22          | 107-0742           | 1           | Cable-Battery, Negative      |
| 8           | 104-7201           | 6           | Nut-HF               | 23          | 32160-130          | 1           | Connector                    |
| 9           | 321-15             | 4           | Screw-HH             | 24          | 107-0737           | 1           | Harness-Wire, Battery Cable  |
| 10          | 110-2569           | 1           | Controller-Sevcon    | 25          | 107-0286           | 1           | Isolator                     |
| 11          | 3231-4             | 1           | Screw-CARR           | 27          | 107-0285           | 4           | Spacer                       |
| 12          | 104-7137-03        | 1           | Mount-Controller     | 28          | 3290-379           | 2           | Tie-Cable                    |
| 13          | 3255-9             | 1           | Washer-Lock          |             |                    |             |                              |
| 14          | 32103-3            | 1           | Nut-Wing             |             |                    |             |                              |
| 15          | 104-7136           | 1           | Contactora-48V       |             |                    |             |                              |

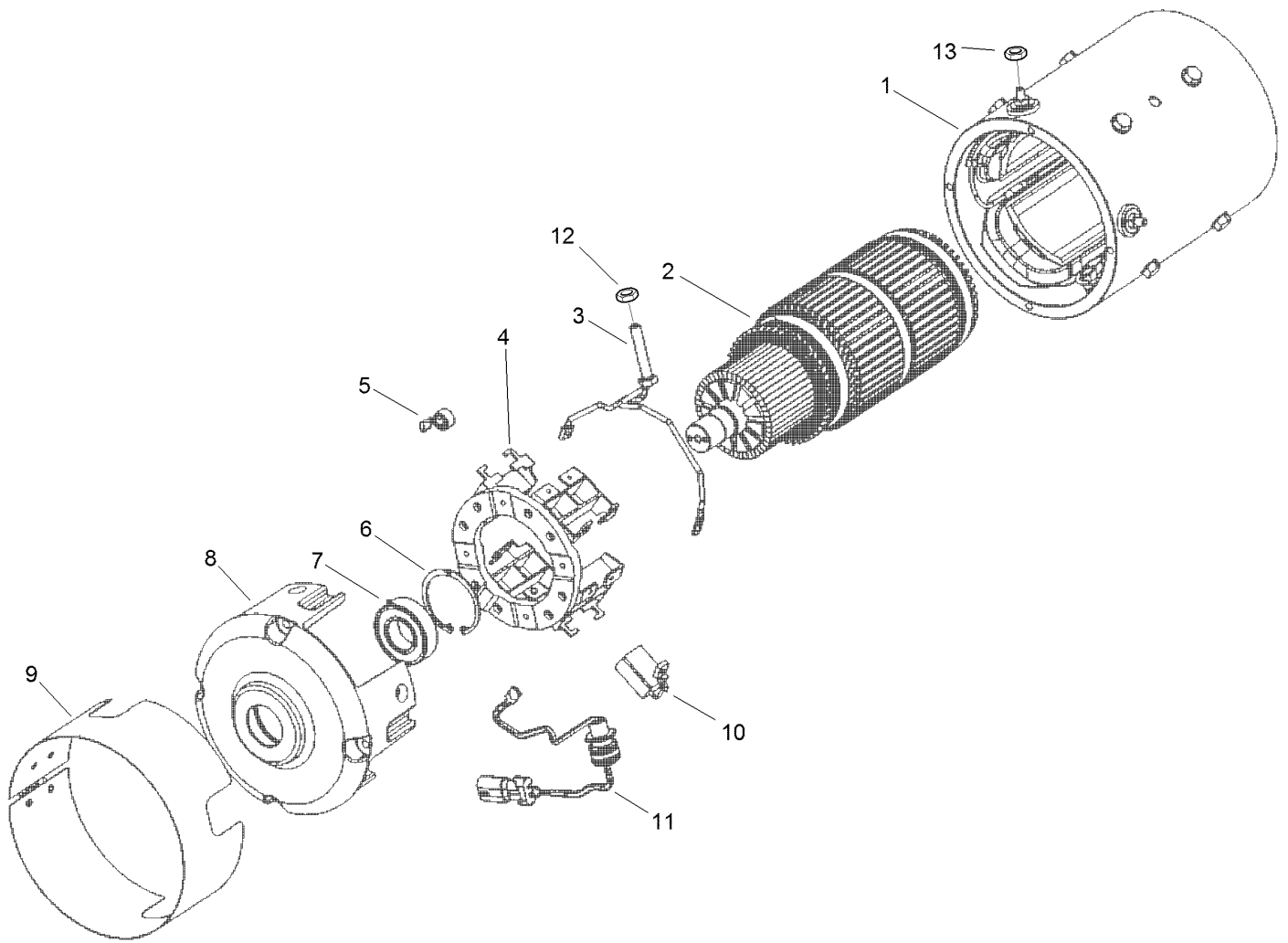




## Battery and Transaxle Assembly

| Ref. | Part Number | Qty. | Description              | Ref. | Part Number | Qty. | Description             |
|------|-------------|------|--------------------------|------|-------------|------|-------------------------|
| 1    | 104-8301    | 11   | Nut-Flange, NI           | 18   | 104-6500    | 2    | Drum-Brake              |
| 2    | 107-0739    | 1    | Cable-Battery, Positive  | 19   | 120-5025    | 2    | Tire And Wheel ASM      |
| 3    | 104-7149    | 2    | Hold Down ASM            | 19:1 | 120-4974    | 1    | Wheel                   |
| 4    | 32120-47    | 2    | Ring-Retaining, External | 19:2 | 104-7289    | 1    | Tire                    |
| 5    |             | 8    | Battery-Trojan T145 ●    | 19:3 | 232-27      | 1    | Stem-Valve              |
| 5:2  | 107-0289    | 2    | Cover-Terminal, Battery  | 20   | 242-50      | 10   | Nut-Lug                 |
| 5:3  | 107-0388    | 2    | Nut                      | 21   | 104-7339    | 2    | Rod-Battery             |
| 6    | 3274-26     | 6    | Screw-HSH                | 22   | 107-0280    | 16   | Washer-Lock             |
| 7    | 3231-22     | 5    | Screw-CARR               | 23   | 107-0738    | 6    | Cable-Battery, Positive |
| 8    | 104-7249-03 | 1    | Bracket-Support          | 24   | 3272-10     | 2    | Pin-Cotter              |
| 9    | 104-7305-03 | 1    | Plate-Mount, Transaxle   | 25   | 283-62      | 2    | Pin-Clevis              |
| 10   | 112-3399    | 1    | Damper-Rubber            | 26   | 110-2647    | 2    | Cable-Brake, Park       |
| 11   | 104-7335    | 1    | Motor-Electric           | 27   | 3256-22     | 3    | Washer-Flat             |
| 12   | 107-0259    | 1    | Fan-10 Blade, Clockwise  | 28   | 110-1872    | 1    | Hose-Fuel               |
| 13   | 32121-68    | 2    | Pin-Roll                 | 29   | 107-0356    | 1    | Decal-Motor             |
| 14   | 73-3580     | 1    | Washer                   | 30   | 3290-379    | 12   | Tie-Cable               |
| 15   | 3274-8      | 1    | Screw-HSH                | 31   | 107-0376    | 1    | Screw-HHF               |
| 16   | 3234-24     | 4    | Screw-HHF                | 32   | 73-3580     | 3    | Washer                  |
| 17   | 114-8330    | 1    | Transaxle-Electric       | 40   | 3290-378    | 2    | Tie-Cable               |

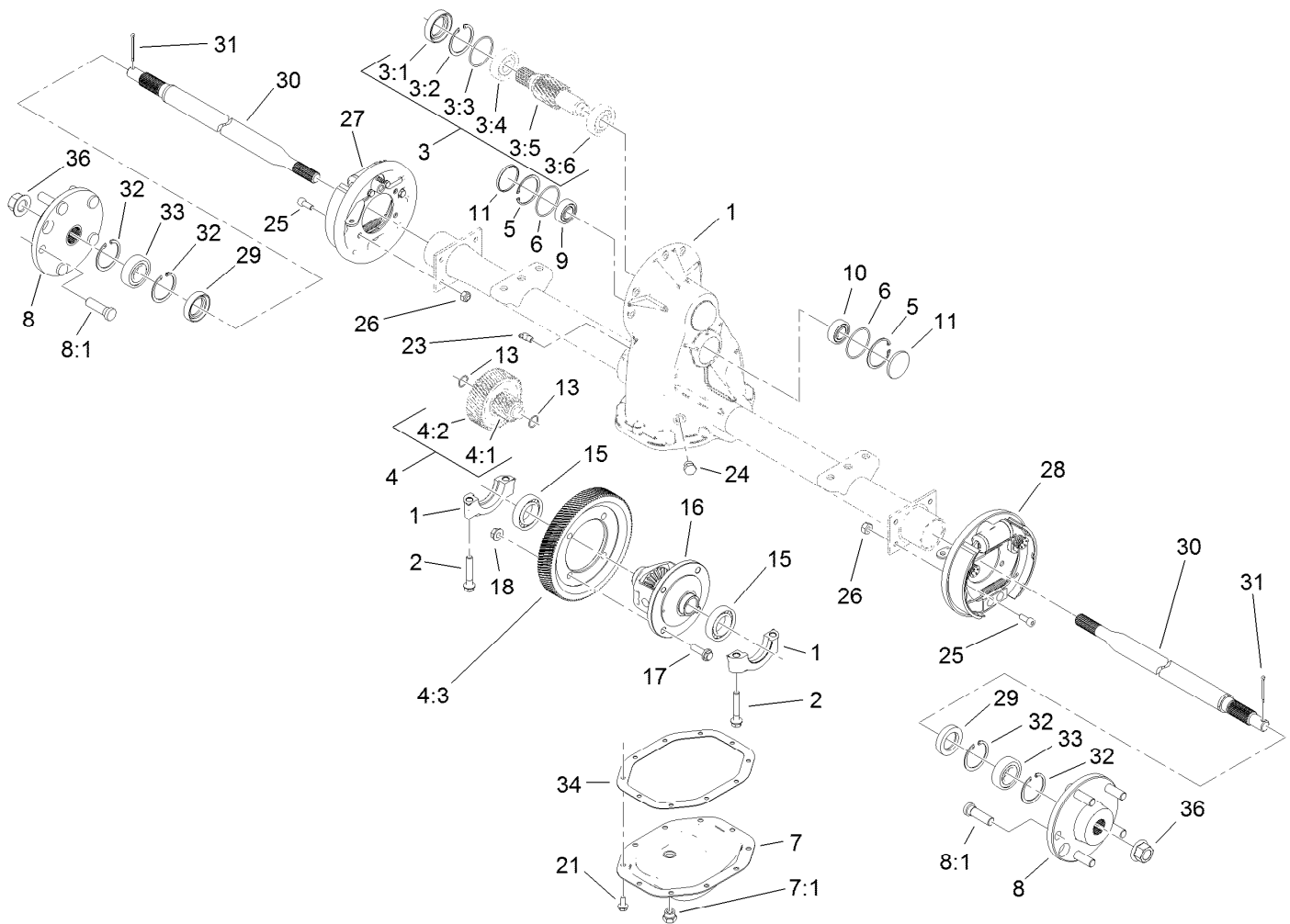
● Not serviced separately



## Electric Motor Assembly No. 104-7335

| <i>Ref.</i> | <i>Part Number</i> | <i>Qty.</i> | <i>Description</i>    |
|-------------|--------------------|-------------|-----------------------|
| 1           |                    | 1           | Frame And Field ASM ● |
| 2           |                    | 1           | Armature ASM ●        |
| 3           | 108-1151           | 2           | Brush Lead ASM        |
| 4           | 108-1152           | 1           | Brush Box ASM         |
| 5           | 108-1153           | 8           | Spring-Brush          |
| 6           | 108-1154           | 1           | Ring-Retaining        |
| 7           | 108-1155           | 1           | Bearing               |
| 8           | 108-1156           | 1           | Head-Commutator       |
| 9           | 108-1157           | 1           | Headband ASM          |
| 10          | 108-1158           | 8           | Brush                 |
| 11          | 108-1159           | 1           | Thermal Sensor ASM    |
| 12          | 3218-13            | 2           | Nut-Jam, Brass        |
| 13          | 3218-14            | 2           | Nut-Jam, Brass        |

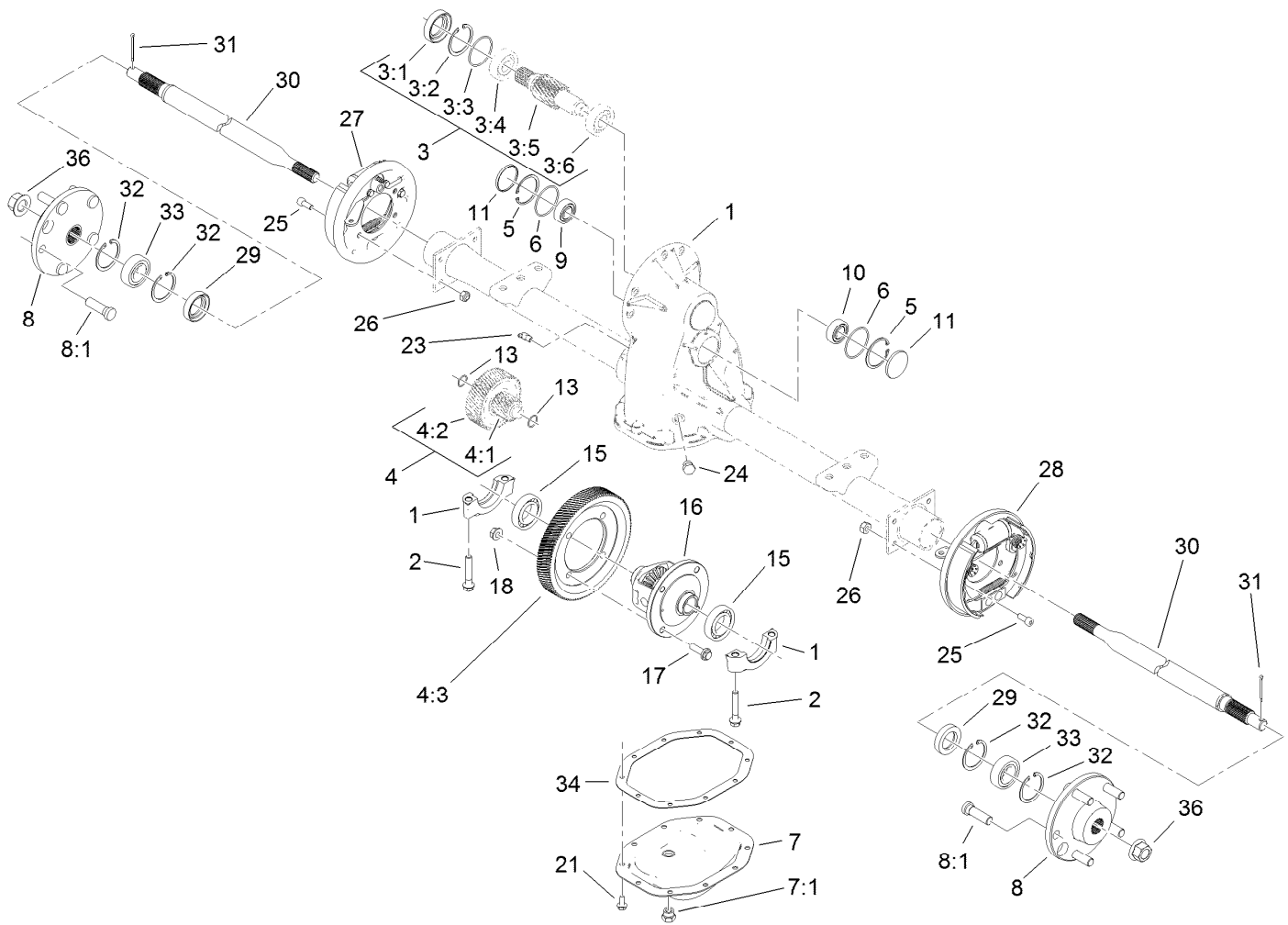
● Not serviced separately



## Electric Transaxle Assembly No. 114-8330

| Ref. | Part Number | Qty. | Description         | Ref. | Part Number | Qty. | Description      |
|------|-------------|------|---------------------|------|-------------|------|------------------|
| 1    |             | 1    | Transaxle ASM ●     | 8:1  | 112-3137    | 1    | Bolt-Wheel       |
| 2    | 108-2401    | 4    | Bolt-Cap, Bearing   | 9    | 108-2406    | 1    | Bearing-Ball     |
| 3    | 115-2185    | 1    | Input Shaft Kit     | 10   | 108-2407    | 1    | Bearing-Ball     |
| 3:1  | 108-2403    | 1    | Seal-Oil            | 11   | 108-2408    | 2    | Plug-Cap, End    |
| 3:2  | 108-2404    | 1    | Ring-Retaining      | 13   | 108-2410    | 2    | O-Ring           |
| 3:3  | 108-2405    | 1    | O-Ring              | 15   | 108-2411    | 2    | Bearing-Ball     |
| 3:4  |             | 1    | Bearing-Ball ●      | 16   | 112-3138    | 1    | Differential ASM |
| 3:5  |             | 1    | Shaft-Input ●       | 17   | 108-2413    | 4    | Screw-Hex        |
| 3:6  |             | 1    | Bearing-Ball ●      | 18   | 108-2414    | 4    | Nut-Lock         |
| 4    | 108-2409    | 1    | Internal Gear Kit   | 21   | 108-2427    | 10   | Screw-Tapping    |
| 4:1  |             | 1    | Shaft-Input ●       | 23   | 108-2428    | 1    | Elbow-90 Degree  |
| 4:2  |             | 1    | Gear-Intermediate ● | 24   | 108-2429    | 1    | Plug-HH          |
| 4:3  | 110-2541    | 1    | Gear-Drive, Final   | 25   | 112-3139    | 8    | Screw-HSH        |
| 5    | 108-2404    | 2    | Ring-Retaining      | 26   | 108-2418    | 8    | Nut-Lock         |
| 6    | 108-2405    | 2    | O-Ring              | 27   | 114-8332    | 1    | LH Brake ASM     |
| 7    | 108-2416    | 1    | Cover Kit           | 28   | 114-8331    | 1    | RH Brake ASM     |
| 7:1  | 108-2415    | 1    | Plug-HH             | 29   | 112-3140    | 2    | Seal-Oil         |
| 8    | 112-3136    | 2    | Hub ASM             | 30   | 112-3141    | 2    | Shaft-Axle       |

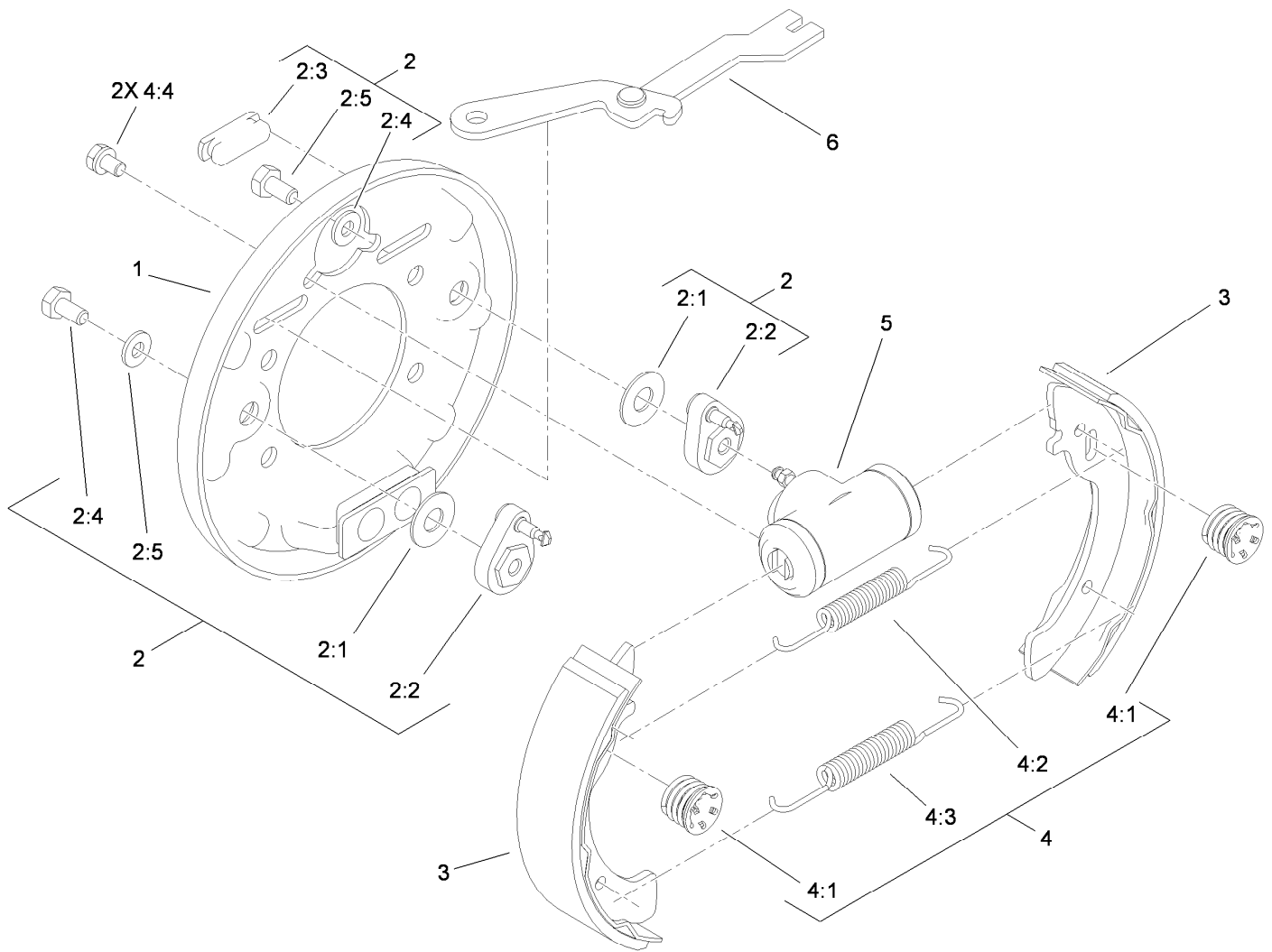
● Not serviced separately



## Electric Transaxle Assembly No. 114-8330 (continued)

| <i>Ref.</i> | <i>Part Number</i> | <i>Qty.</i> | <i>Description</i> | <i>Ref.</i> | <i>Part Number</i> | <i>Qty.</i> | <i>Description</i> |
|-------------|--------------------|-------------|--------------------|-------------|--------------------|-------------|--------------------|
| 31          | 3272-12            | 2           | Pin-Cotter         | 34          | 108-3148           | 1           | Gasket             |
| 32          | 108-2424           | 4           | Ring-Retaining     | 36          | 112-3142           | 2           | Nut-HF             |
| 33          | 108-2425           | 2           | Bearing-Ball       |             |                    |             |                    |

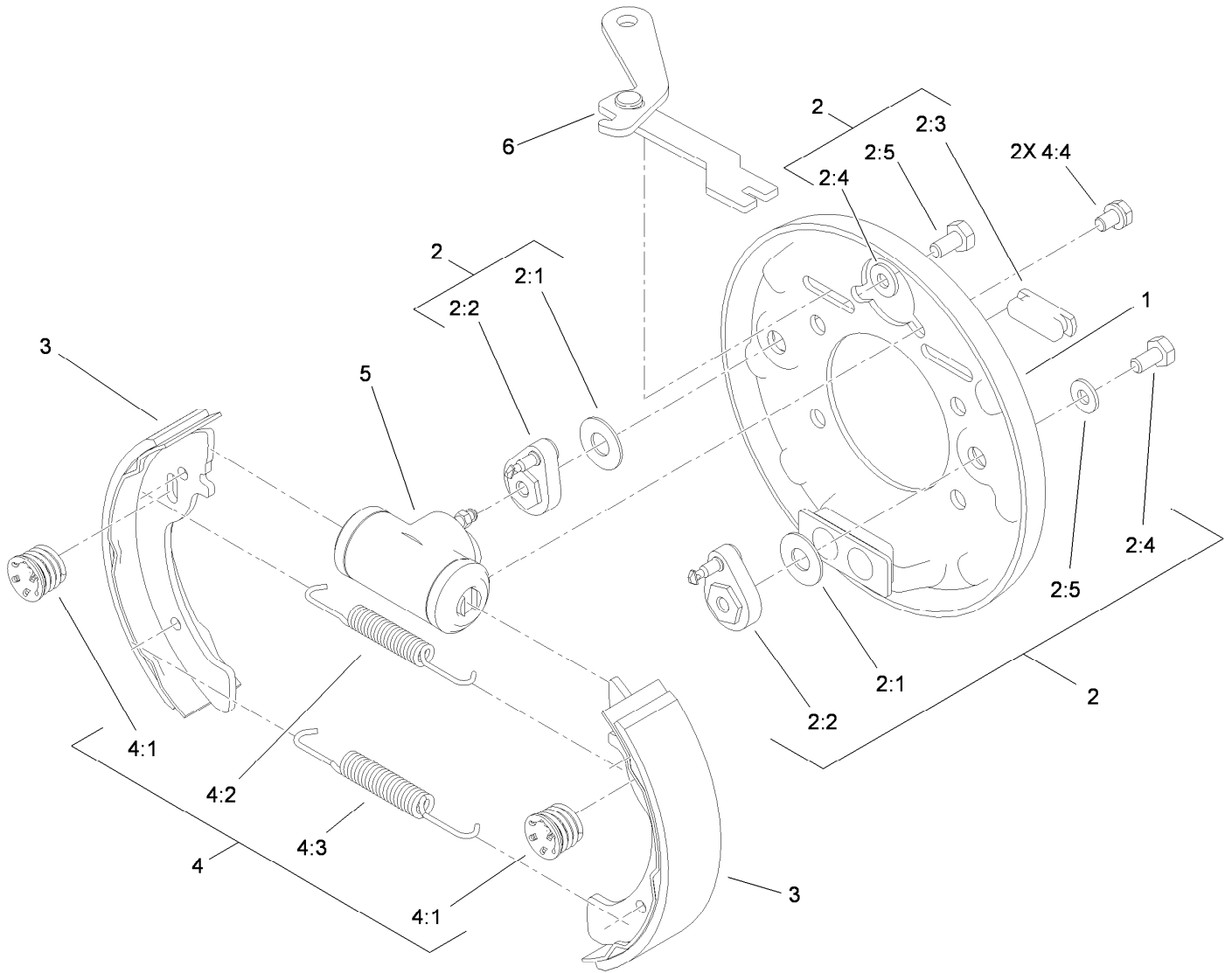
● Not serviced separately



## LH Rear Brake Assembly No. 114-8332

| Ref. | Part Number | Qty. | Description               |
|------|-------------|------|---------------------------|
| 1    | 100-8586    | 1    | Backing Plate ASM         |
| 2    | 104-6820    | 1    | Adjuster Kit              |
| 2:1  | 100-8585    | 2    | Washer-Bellville          |
| 2:2  | 100-8588    | 2    | Adjuster Lever ASM        |
| 2:3  | 100-8584    | 2    | Cover-Dust                |
| 2:4  |             | 2    | Washer ●                  |
| 2:5  |             | 2    | Bolt ●                    |
| 3    | 104-6818    | 4    | Shoe And Lining Kit       |
| 4    | 104-6819    | 1    | Hardware Kit              |
| 4:1  | 100-8583    | 2    | Shoe Hold Down Spring ASM |
| 4:2  | 100-8581    | 2    | Spring-Upper              |
| 4:3  | 100-8582    | 2    | Spring-Lower              |
| 4:4  |             | 2    | Bolt And Washer ●         |
| 5    | 114-8333    | 1    | Wheel Cylinder ASM        |
| 6    | 104-6825    | 1    | LH Park Brake Lever ASM   |

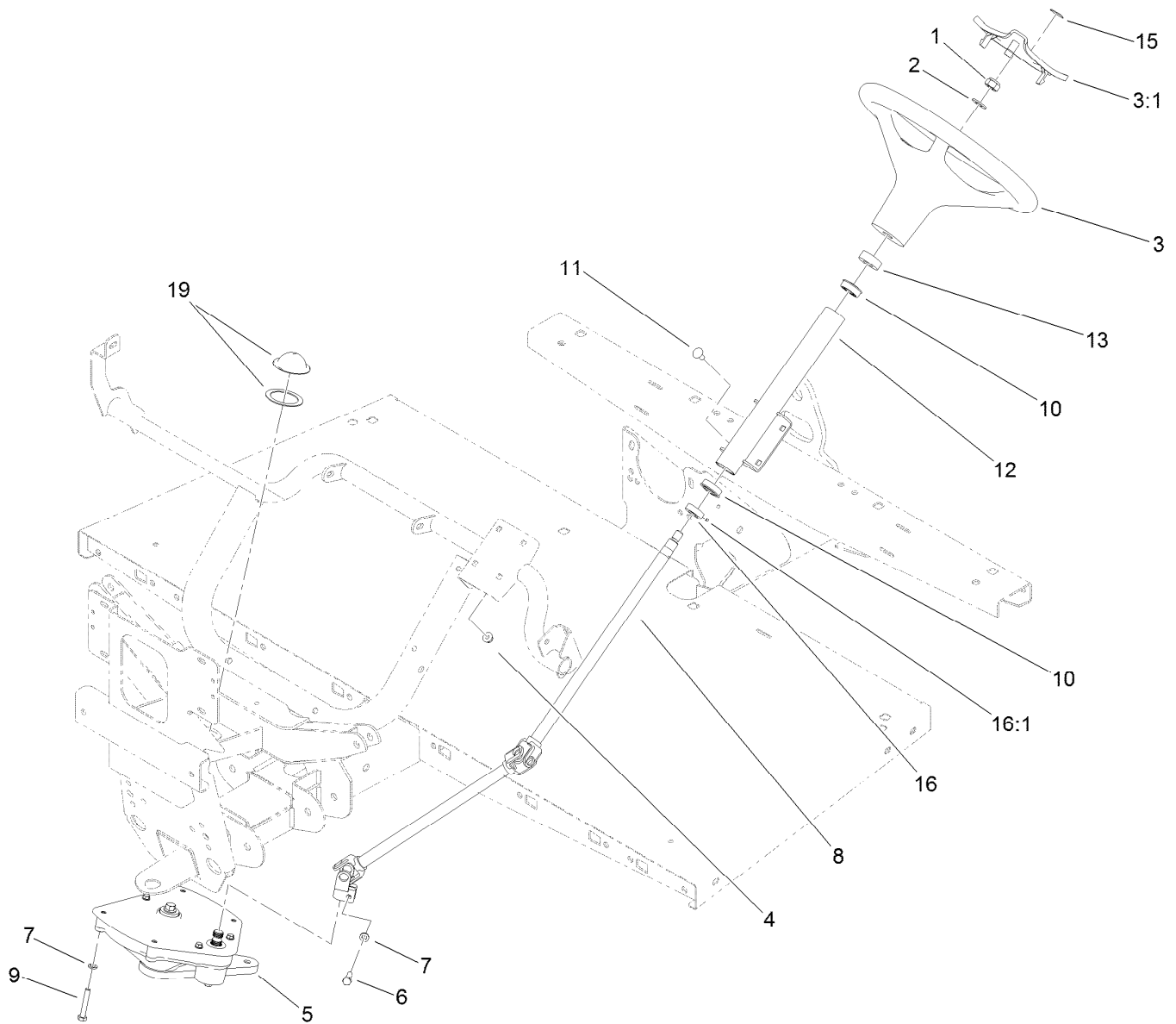
● Not serviced separately



## RH Rear Brake Assembly No. 114-8331

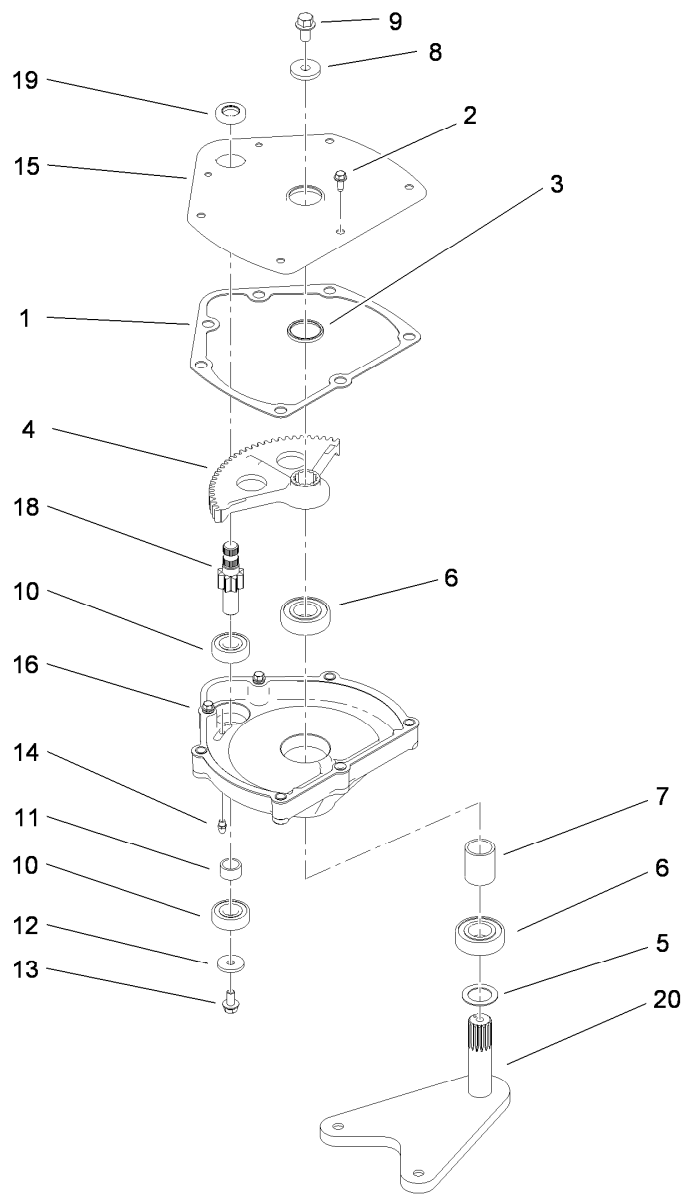
| Ref. | Part Number | Qty. | Description               |
|------|-------------|------|---------------------------|
| 1    | 100-8586    | 1    | Backing Plate ASM         |
| 2    | 104-6820    | 1    | Adjuster Kit              |
| 2:1  | 100-8585    | 2    | Washer-Bellville          |
| 2:2  | 100-8588    | 2    | Adjuster Lever ASM        |
| 2:3  | 100-8584    | 2    | Cover-Dust                |
| 2:4  |             | 2    | Washer ●                  |
| 2:5  |             | 2    | Bolt ●                    |
| 3    | 104-6818    | 4    | Shoe And Lining Kit       |
| 4    | 104-6819    | 1    | Hardware Kit              |
| 4:1  | 100-8583    | 2    | Shoe Hold Down Spring ASM |
| 4:2  | 100-8581    | 2    | Spring-Upper              |
| 4:3  | 100-8582    | 2    | Spring-Lower              |
| 4:4  |             | 2    | Bolt And Washer ●         |
| 5    | 114-8333    | 1    | Wheel Cylinder ASM        |
| 6    | 104-6826    | 1    | RH Park Brake Lever ASM   |

● Not serviced separately



## Upper Steering Assembly

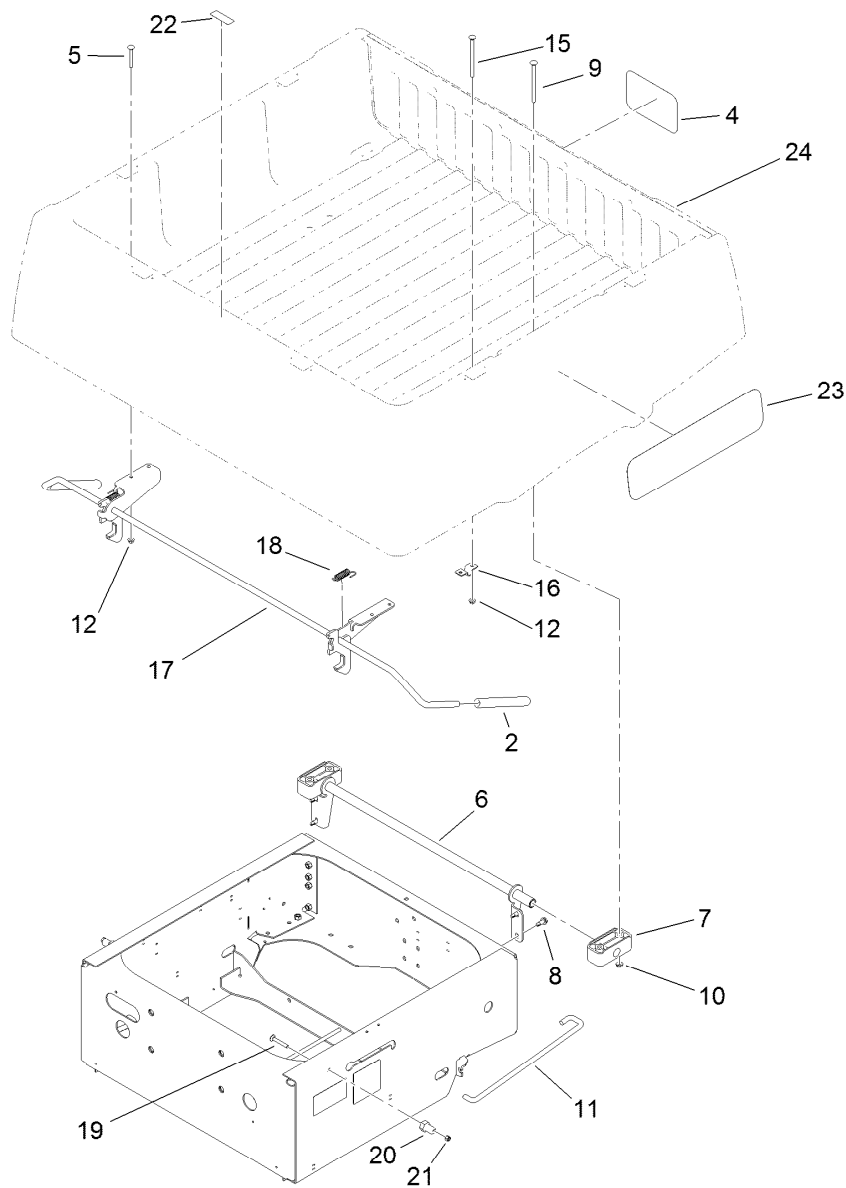
| <i>Ref.</i> | <i>Part Number</i> | <i>Qty.</i> | <i>Description</i>    | <i>Ref.</i> | <i>Part Number</i> | <i>Qty.</i> | <i>Description</i>     |
|-------------|--------------------|-------------|-----------------------|-------------|--------------------|-------------|------------------------|
| 1           | 119-9493           | 1           | Nut-Lock, NI          | 9           | 112-3305           | 4           | Screw-HH               |
| 2           | 3256-26            | 1           | Washer-Flat           | 10          | 112-3262           | 2           | Bearing                |
| 3           | 98-1471            | 1           | Wheel-Steering        | 11          | 3230-1             | 4           | Bolt-CARR              |
| 3:1         | 98-1468            | 1           | Cover-Wheel, Steering | 12          | 112-3264-03        | 1           | Column                 |
| 4           | 104-8300           | 4           | Nut-Flange, NI        | 13          | 21-9260            | 1           | Cover-Dust             |
| 5           | 112-3130           | 1           | Steering Box ASM      | 15          | 98-1459            | 1           | Decal                  |
| 6           | 48-7730            | 1           | Screw-Cap, HH         | 16          | 111383             | 1           | Collar                 |
| 7           | 3253-4             | 5           | Washer-Lock           | 16:1        | 3245-32            | 1           | Screw-HSH              |
| 8           | 112-3355           | 1           | Steering Shaft ASM    | 19          | 120-5049           | 1           | Steering Box Cover Kit |



## Steering Box Assembly No. 112-3130

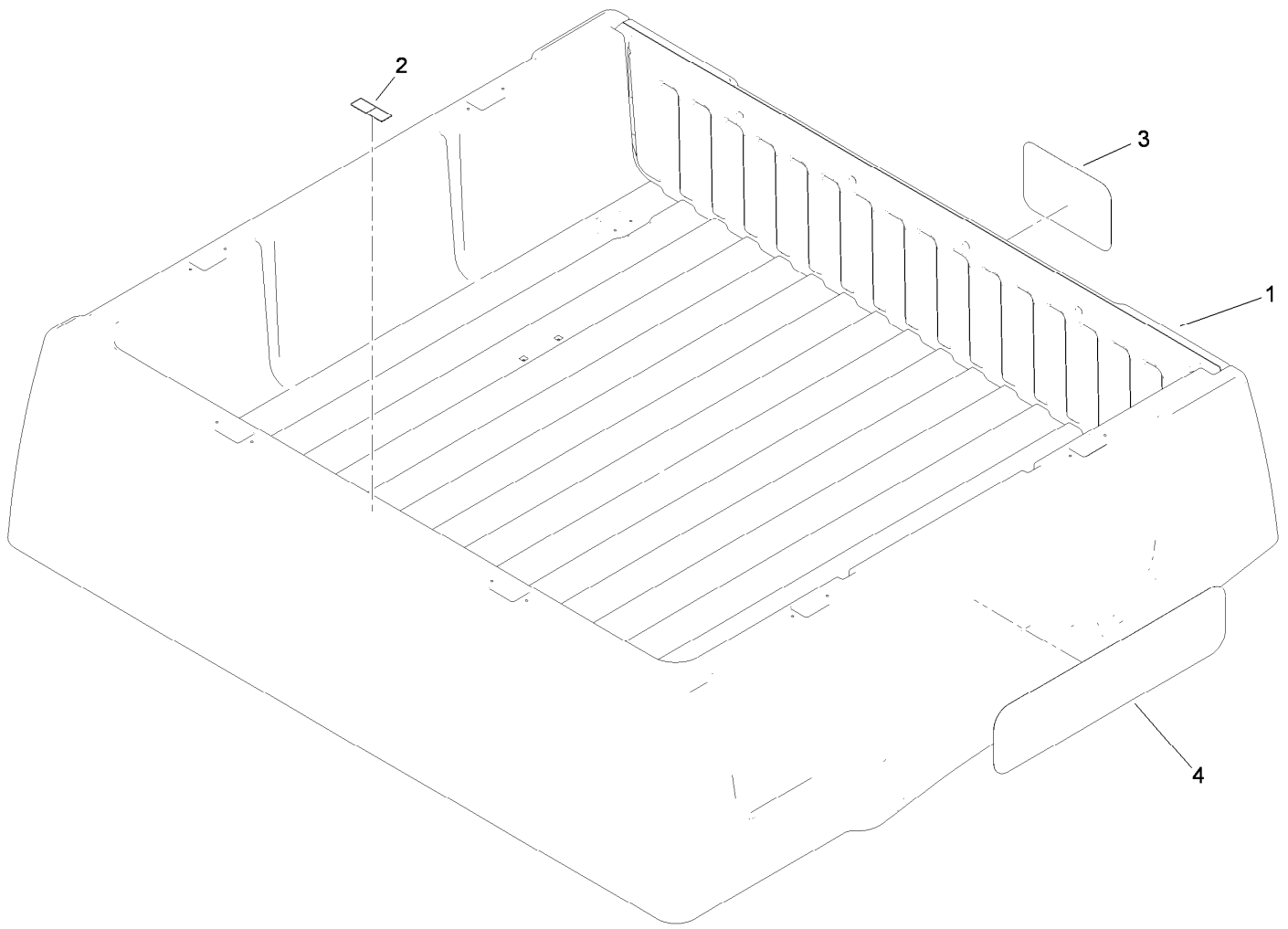
| <i>Ref.</i> | <i>Part Number</i> | <i>Qty.</i> | <i>Description</i> | <i>Ref.</i> | <i>Part Number</i> | <i>Qty.</i> | <i>Description</i>      |
|-------------|--------------------|-------------|--------------------|-------------|--------------------|-------------|-------------------------|
| 1           | 94-2135            | 1           | Gasket             | 11          | 94-2217            | 1           | Spacer-Shaft, Input     |
| 2           | 32144-10           | 3           | Screw-HWH          | 12          | 1-613235           | 1           | Washer                  |
| 3           | 103118             | 1           | Seal               | 13          | 98-3498            | 1           | Screw-HH                |
| 4           | 99-7843            | 1           | Sector-Gear        | 14          | 302-5              | 1           | Fitting-Grease          |
| 5           | 3256-42            | 1           | Washer-Flat        | 15          | 112-2918-03        | 1           | Cover-Housing, Steering |
| 6           | 251-82             | 2           | Bearing-Ball       | 16          | 114-8309           | 1           | Housing-Steering        |
| 7           | 112-2917           | 1           | Spacer             | 18          | 115-7726           | 1           | Gear-Pinion             |
| 8           | 104-6563           | 1           | Washer-Stepped     | 19          | 99-7657            | 1           | Seal-Oil                |
| 9           | 104-7156           | 1           | Screw-HHF          | 20          | 112-3096-03        | 1           | Arm-Pitman              |
| 10          | 38-7820            | 2           | Bearing-Ball       |             |                    |             |                         |





## Cargo Bed and Tailgate Installation Assembly

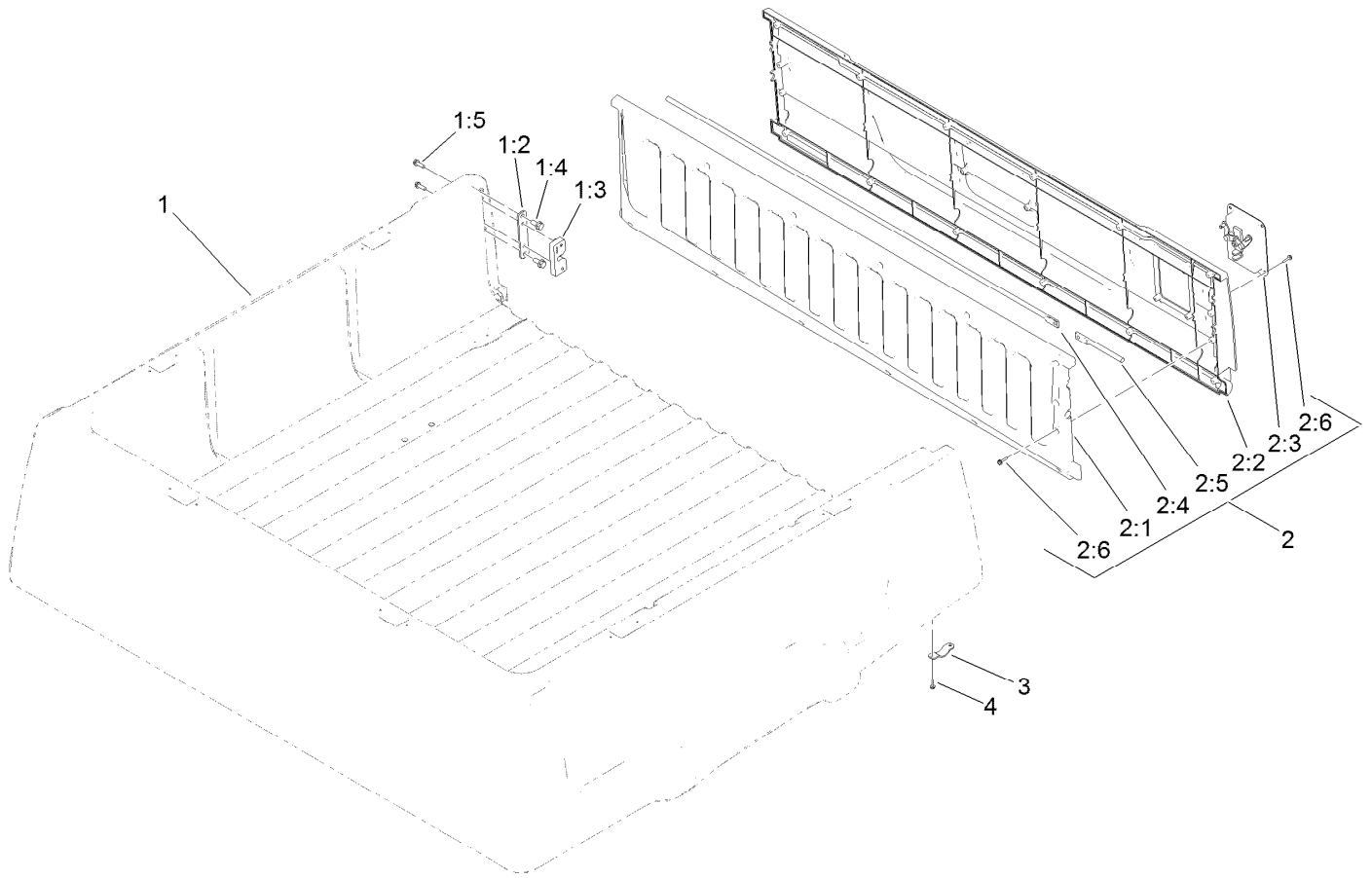
| <i>Ref.</i> | <i>Part Number</i> | <i>Qty.</i> | <i>Description</i> | <i>Ref.</i> | <i>Part Number</i> | <i>Qty.</i> | <i>Description</i>    |
|-------------|--------------------|-------------|--------------------|-------------|--------------------|-------------|-----------------------|
| 2           | 119-9627           | 2           | Grip-Handle        | 15          | 119-0914           | 2           | Bolt-CARR             |
| 4           | 104-7213           | 1           | Decal              | 16          | 99-7896            | 1           | Bracket-U, Prop Rod   |
| 5           | 3230-8             | 4           | Screw-CARR         | 17          | 119-0837           | 1           | Latch ASM             |
| 6           | 119-0848-03        | 1           | Bracket-Pivot      | 18          | 5-7290             | 2           | Spring-Tension        |
| 7           | 119-0835           | 2           | Bushing-Pivot      | 19          | 3230-7             | 2           | Bolt-CARR             |
| 8           | 105-6245           | 4           | Screw-Tapping      | 20          | 104-7248           | 2           | Pin-Latch             |
| 9           | 109-6795           | 4           | Bolt-CARR          | 21          | 3296-29            | 2           | Nut-Lock, NI          |
| 10          | 3290-357           | 4           | Nut-HHF, Whiz      | 22          | 115-7739           | 1           | Decal-No Riders       |
| 11          | 119-0844           | 1           | Rod-Prop           | 23          | 119-9451           | 2           | Decal                 |
| 12          | 32128-20           | 6           | Nut-HF             | 24          | 119-9710           | 1           | Cargo Bed Service ASM |



## Cargo Bed Service Assembly No. 119-9710

| <i>Ref.</i> | <i>Part Number</i> | <i>Qty.</i> | <i>Description</i>           |
|-------------|--------------------|-------------|------------------------------|
| 1           |                    | 1           | Cargo Bed And Tailgate ASM ● |
| 2           | 115-7739           | 1           | Decal-No Riders              |
| 3           | 104-7213           | 1           | Decal                        |
| 4           | 120-4825           | 2           | Decal                        |

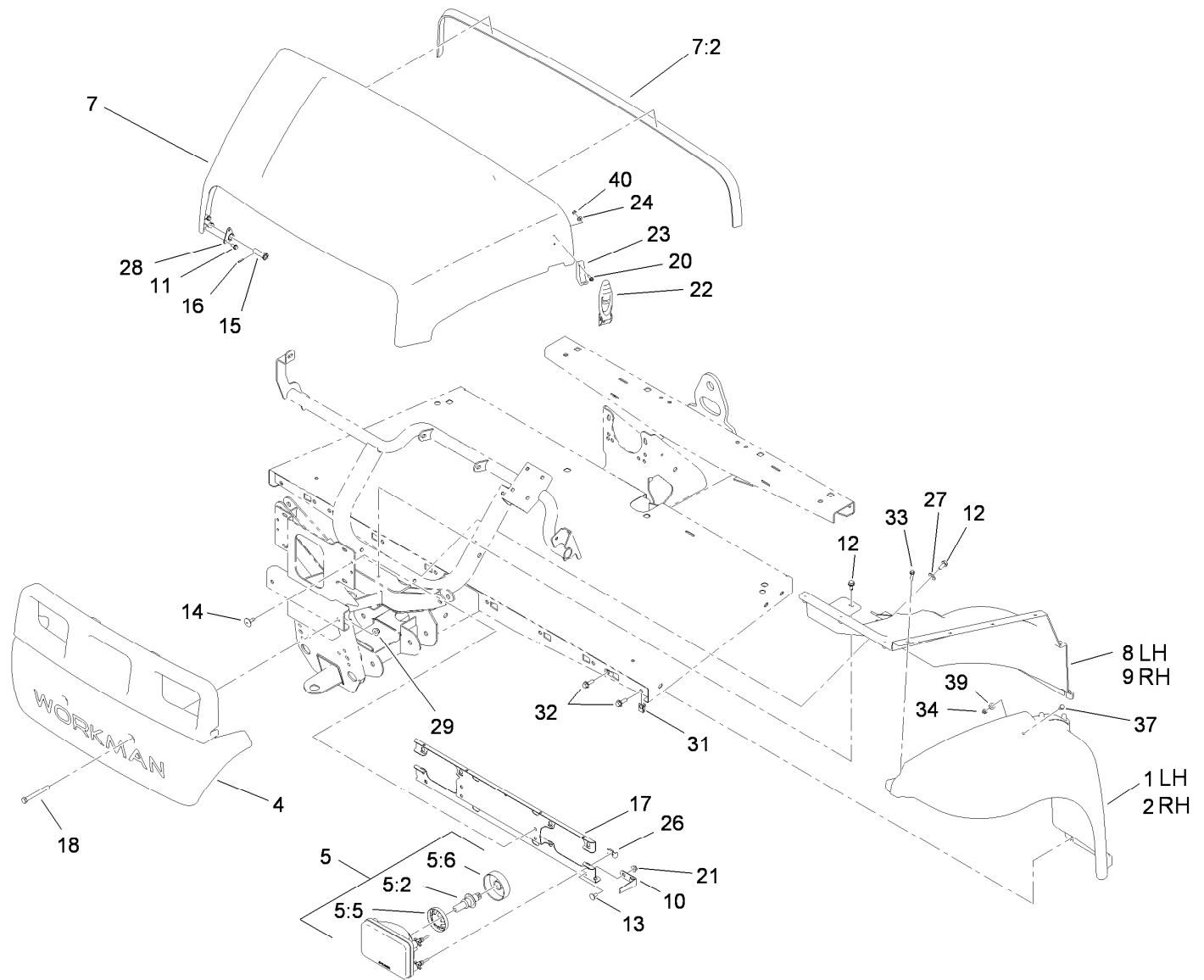
● Not serviced separately



## Cargo Bed and Tailgate Assembly

| Ref. | Part Number | Qty. | Description            |
|------|-------------|------|------------------------|
| 1    |             | 1    | Cargo Bed W/ Strikes ● |
| 1:2  | 119-0838    | 2    | Mount-Striker          |
| 1:3  | 119-0892    | 2    | Strike-Latch           |
| 1:4  | 3234-47     | 4    | Screw-HHF              |
| 1:5  | 32105-15    | 4    | Screw-HWH              |
| 2    |             | 1    | Tailgate ASM ●         |
| 2:1  | 119-0839    | 1    | Tailgate-Inner         |
| 2:2  | 119-0840    | 1    | Tailgate-Outer         |
| 2:3  | 119-0891    | 1    | Handle-Latch           |
| 2:4  | 119-0842    | 1    | Rod-Latch, RH          |
| 2:5  | 119-0843    | 1    | Rod-Latch, LH          |
| 2:6  | 98-1375     | 20   | Screw-HWH              |
| 3    | 119-0849    | 2    | Retainer-Tailgate      |
| 4    | 98-1375     | 4    | Screw-HWH              |

● Not serviced separately



## Hood and Fender Assembly

| Ref. | Part Number | Qty. | Description        | Ref. | Part Number | Qty. | Description       |
|------|-------------|------|--------------------|------|-------------|------|-------------------|
| 1    | 112-3371    | 1    | Fender-LH          | 17   | 119-0841-03 | 1    | Bracket-Headlight |
| 2    | 112-3370    | 1    | Fender-RH          | 18   | 115-7660    | 2    | Screw-HHF         |
| 4    | 112-3365    | 1    | Bumper             | 20   | 32105-13    | 4    | Screw-HWH         |
| 5    | 115-7617    | 2    | Headlight ASM      | 21   | 32128-20    | 2    | Nut-HF            |
| 5:2  | 115-7618    | 1    | Bulb-24V           | 22   | 115-2416    | 2    | Latch-Rubber      |
| 5:5  | 115-7667    | 1    | Retainer-Headlamp  | 23   | 103-2897    | 2    | Latch-Catch       |
| 5:6  | 115-7668    | 1    | Boot-Headlamp      | 24   | 3256-14     | 4    | Washer-Flat       |
| 7    | 115-7636    | 1    | Hood ASM           | 26   | 115-2408    | 6    | Clip-Speed        |
| 7:2  | 115-7635    | 1    | Seal-Foam          | 27   | 3256-71     | 2    | Washer-Flat       |
| 8    | 112-3369    | 1    | Well-Fender, LH    | 28   | 112-3308    | 2    | Retainer-Pin      |
| 9    | 112-3368    | 1    | Well-Fender, RH    | 29   | 104-8301    | 2    | Nut-Flange, NI    |
| 10   | 112-3373    | 2    | Keeper-Pivot, Hood | 31   | 112-3306    | 10   | Nut               |
| 11   | 46-8093     | 6    | Screw-Plastite     | 32   | 3234-29     | 10   | Screw-HHF         |
| 12   | 32104-32    | 4    | Screw-HWH          | 33   | 46-8091     | 20   | Screw-HWH         |
| 13   | 3230-18     | 2    | Screw-CARR         | 34   | 3296-42     | 2    | Nut-Lock, NI      |
| 14   | 146489      | 4    | Rivet              | 37   | 321-39      | 2    | Screw-HH          |
| 15   | 117-5094    | 2    | Pin-Clevis         | 39   | 3256-22     | 2    | Washer-Flat       |
| 16   | 32121-50    | 2    | Pin-Spring         | 40   | 3296-2      | 4    | Nut-Lock, NI      |

# Attachments and Accessories

## For 07299 Workman MDE Utility Vehicle

| <b>Product Name</b>  | <b>Model/Part</b> |
|--|-------------------|
| Rear Lift Kit .....  | 07261             |
| Roll-Over Protection System .....  | 07276             |
| Receiver Hitch Kit .....   | 07278             |
| 12V Power Plug Adapter Kit .....   | 07318             |
| Canopy Kit .....   | 07324             |
| Solid Windshield Kit .....   | 07325             |
| Folding Windshield Kit .....   | 07326             |
| Snow Plow .....  | 07327             |
| Hard Cab .....   | 07328             |
| Heavy-Duty Bumper Kit .....  | 07329             |
| Heavy-Duty Brush Guard and Bumper Kit .....  | 07338             |
| Sliding Window Door Kit .....  | 07352             |
| Fixed Window Door Kit .....  | 07353             |
| Electric Bed Lift Kit, 2011 and After Workman MDE Utility Vehicle.....             | 07382             |
| Wheel-5 Bolt .....   | 104-6889          |
| Tire-AT 489, 24x10.5-10 .....  | 104-7061          |
| Tire-AT 489, 22x9.5-10 .....   | 104-7062          |
| 20 foot Cordset Kit (DC).....  | 108-3071          |
| 48V Battery Charger .....  | 115-7785          |
| Lift Wire Harness Kit .....  | 115-7823          |
| Horn Kit.....  | 115-7827          |
| Replacement Front Spring Kit.....  | 117-4847          |
| Accessory Installation Kit, Espar Heater Kit for Workman MDE Utility Vehicle ..... | 117-4968          |
| Potentiometer Kit .....  | 117-5085          |
| Cord-AC (US/CANADA) .....  | 119-0661          |
| Tire And Wheel Asm .....   | 119-0751          |
| Tapered Nozzle Kit, Pro Force Debris Blower .....                                  | 119-6280          |
| Rectangular Nozzle Kit, Pro Force Debris Blower .....                              | 119-6281          |
| Nozzle-Extension, Straight .....   | 119-6282          |
| Nozzle-Extension, Tapered.....   | 119-6283          |
| Nozzle-Extension, Rectangular .....  | 119-6284          |
| Side Mirror Kit.....   | 119-9546          |
| Lanyard Kit, 2011 and After Workman MD Series Utility Vehicle.....                 | 119-9590          |
| Stake Pocket Adapter Kit, 2011 and After Workman MD Series Utility Vehicle.....    | 119-9604          |
| Tie-Down Kit, 2011 and After Workman MD Series Utility Vehicle .....               | 119-9605          |
| Bed Retrofit Kit, 2010 and Before Workman MD Series Utility Vehicle.....           | 119-9606          |
| Road Light and Homologation Kit .....  | 120-5031          |
| Brake and Signal Light Kit.....  | 120-5044          |
| Pro Force Debris Blower.....   | 44538             |
| Road-Ready Pro Force Debris Blower.....  | 44539             |
| Bed Mount Kit, Pro Force Debris Blower.....  | 44543             |
| Bed Mount Sound Barrier Kit, Pro Force Debris Blower .....                         | 44546             |

**Notes:**

**Notes:**



**Count on it.**