



**Count on it.**

**Parts Catalog**

**MH-400EH2 Material Handler**

Model No. 44934—Serial No. 313000301 and Up



# Ordering Replacement Parts

To order replacement parts, please supply the part number, the quantity, and the description of each part desired.

## Understanding Reference Numbers

Each identified part in an illustration has a reference number. The reference number for a part also appears in the parts list, along with other information about the part.

This catalog uses two special reference number formats, one to indicate parts in a service assembly and another to indicate the quantity of a given part in an illustration.

## Service Assembly Reference Numbers

Parts in service assemblies have reference numbers in the form a:b. The a represents the reference number of the entire service assembly and the b represents a sequential number unique to each part within the service assembly.

For example, a wheel assembly might be identified by reference number 6, the tire by 6:1, the valve by 6:2, and the wheel by 6:3. When you order the assembly identified by reference number 6, you receive all parts identified by reference numbers 6:1, 6:2, and 6:3. However, you may also order any part individually. Reference numbers of this type appear in illustration and in parts lists.

## Reference Numbers Indicating Quantity

In an illustration, if a reference number indicates more than one part, the reference number has the form nX y. The n represents the quantity of the part, the X is the multiplication symbol, and the y represents the reference number.

For example, in an illustration, the reference number 2X 37 means that two of the parts identified by reference number 37 are indicated.

# List of Abbreviations

**AR:** as required

**ASM:** assembly

**BBC:** blade brake control

**BHTF:** button head thread forming

**CARR:** carriage

**CCW:** counter clockwise

**CW:** clockwise

**DEG:** degrees

**DPA:** Dual Point Adjustment

**ECM:** electronic control module

**EXT:** external

**FH:** flat head

**GA:** gauge

**HD:** heavy-duty

**HF:** hex flange

**HH:** hex head

**HHF:** hex head flange

**HHFTF:** hex head flange thread forming

**HJ:** hex jam

**HLH:** hex lag head

**HOC:** height-of-cut

**HSBH:** hex socket button head

**HSFH:** hex socket flat head

**HSH:** hex socket head

**HWH:** hex washer head

**HWHTF:** hex washer head thread forming

**HYD:** hydraulic

**LH:** left hand

**LP:** Liquefied Petroleum Gas

**LPG:** Liquefied Petroleum Gas

**NI:** nylon insert

**NPTF:** national pipe thread fine

**PFH:** phillips flat head

**PPH:** phillips pan head

**PPHTF:** phillips pan head thread forming

**PRH:** phillips round head

**PTH:** phillips truss head

**PTO:** power-take-off

**RH:** right hand

**ROPS:** roll-over protection system

**RRB:** rear roller brush

**SFH:** slotted fillister head

**SHH:** slotted hex head

**SHWH:** slotted hex washer head

**SPH:** slotted pan head

**SQH:** square head

**SRH:** slotted round head

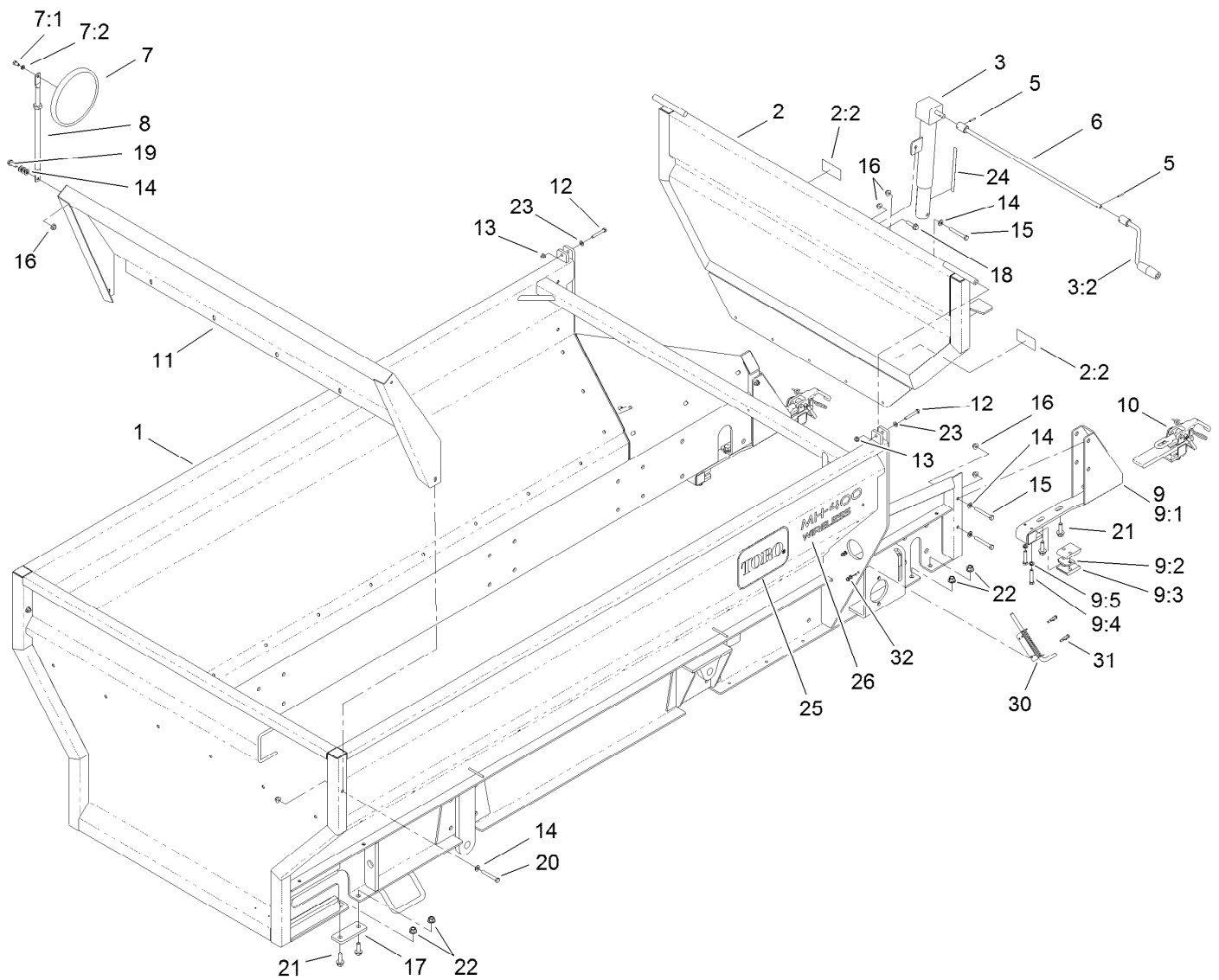
**STD:** standard

**TAP:** self tapping

**TTH:** torx truss head

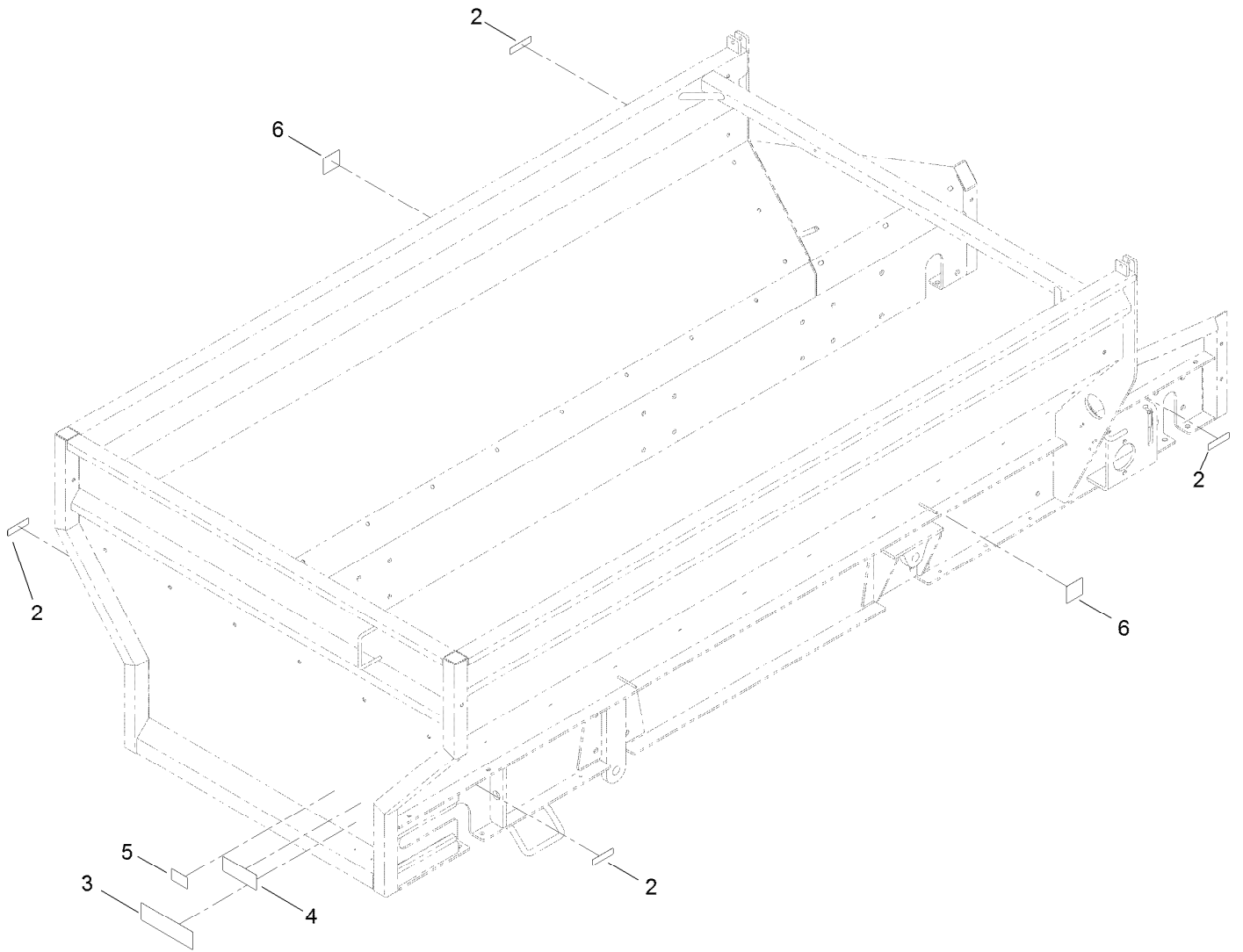
# Contents

Box Frame Assembly	4
Box Frame Decal Assembly No. 120-0890	5
Attachment Clamp Assembly No. T36015800	6
Guard Assembly	7
Hitch Assembly	8
Belt and Skirting Assembly	9
Skirting Assembly	10
Conveyor Assembly	11
Chain Drive Assembly	12
Chain and Sprocket Assembly	13
Wheel Assembly	14
RH Shaft Assembly No. 120-9401	15
LH Brake Assembly No. 120-9437	16
Hub Assembly No. 120-9404	17
LH Shaft Assembly No. 120-9402	18
RH Brake Assembly No. 120-9436	19
Hydraulic Manifold Block and Fitting Assembly	20
Hydraulic Block Assembly No. T0000-7792	21
Hydraulic Motor and Hose Assembly	22
Hydraulic Motor Assembly No. T0000-5303	23
Hydraulic Cylinder and Manifold Block Assembly	24
Block Guard and Hose Assembly	25
Wireless Base and Emergency Stop Assembly	26
Wireless Remote Mounting Assembly	27
Brake Assembly	28



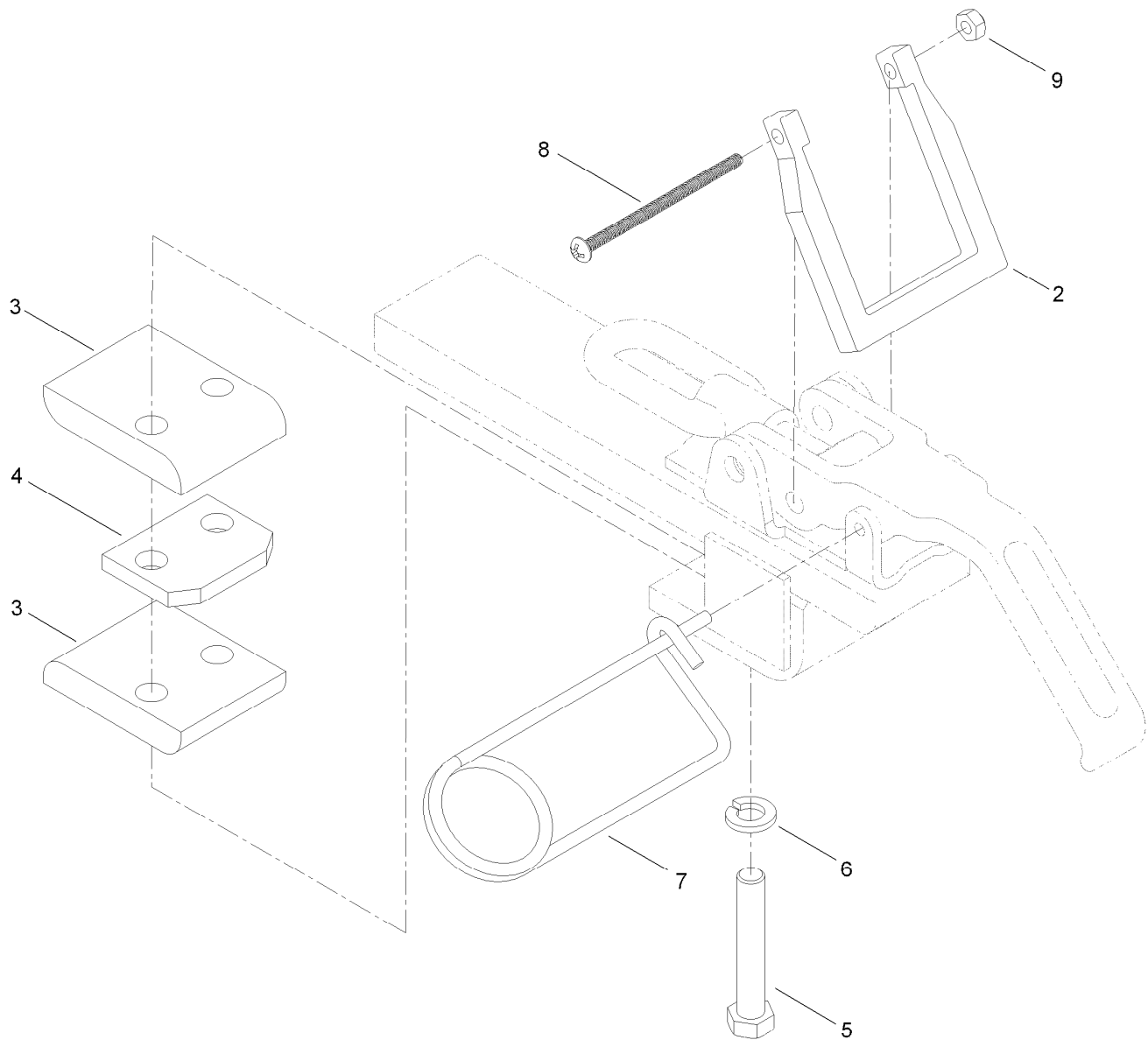
## Box Frame Assembly

Ref.	Part Number	Qty.	Description	Ref.	Part Number	Qty.	Description
1	120-0890	1	Box Frame ASM	12	322-11	2	Screw-HH
2	120-0891	1	Tailgate ASM	13	104-8300	2	Nut-Flange, NI
2:2	119-6838	2	Decal-Warning, Conveyor	14	3256-24	10	Washer-Flat
3	T36031200	1	Jack-Tailgate	15	323-14	5	Screw-HH
3:2	T36031210	1	Handle-Crank	16	104-8301	14	Nut-Flange, NI
5	32121-45	2	Pin-Spring	17	T36011650	2	Bar-Bridge
6	T36011220-01	1	Crank-Jack	18	114-4681	1	Screw-HHF
7	92-2678	1	Mirror-Convex	19	3234-42	6	Screw-HHF
7:1	322-2	1	Screw-HH	20	323-13	2	Screw-HH
7:2	3253-4	1	Washer-Lock	21	100-6116	8	Screw-HHF
8	T36011560	1	Arm-Mirror	22	99-5107	8	Nut-Lock
9	T36015790	2	Attachment Bracket ASM	23	3256-23	2	Washer-Flat
9:1	119-6872-01	1	Bracket-Attachment	24	119-6869	1	Decal-Tailgate Adjustment
9:2	T01-13489B	1	Tab-Spacer	25	66-6140	3	Decal
9:3	T36015200	2	Bar-Bearing	26	119-6803	3	Decal-Wireless
9:4	323-10	2	Screw-HH	30	T62021030	2	Latch-Spring
9:5	3253-21	2	Washer-Lock	31	321-6	8	Screw-HH
10	T36015800	2	Attachment Clamp ASM	32	104-7201	8	Nut-HF
11	T36011550-01	1	Panel-Sloped				



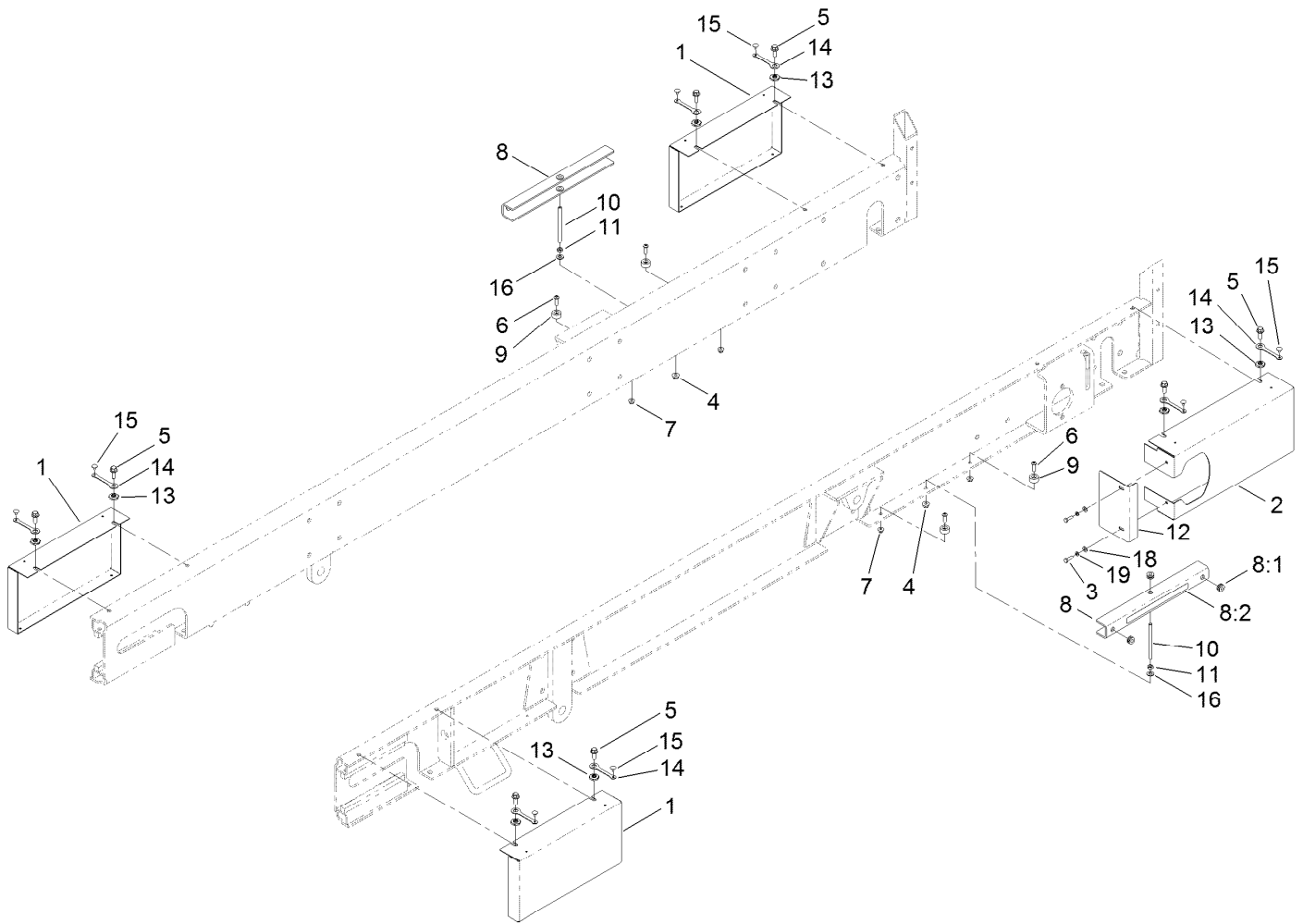
## Box Frame Decal Assembly No. 120-0890

<i>Ref.</i>	<i>Part Number</i>	<i>Qty.</i>	<i>Description</i>
2	119-0217	4	Decal-Danger
3	119-6806	1	Decal-Danger
4	119-6812	1	Decal-Warning, Tipping Hazard
5	119-6833	1	Decal-Max Load
6	93-9899	2	Decal-Warning



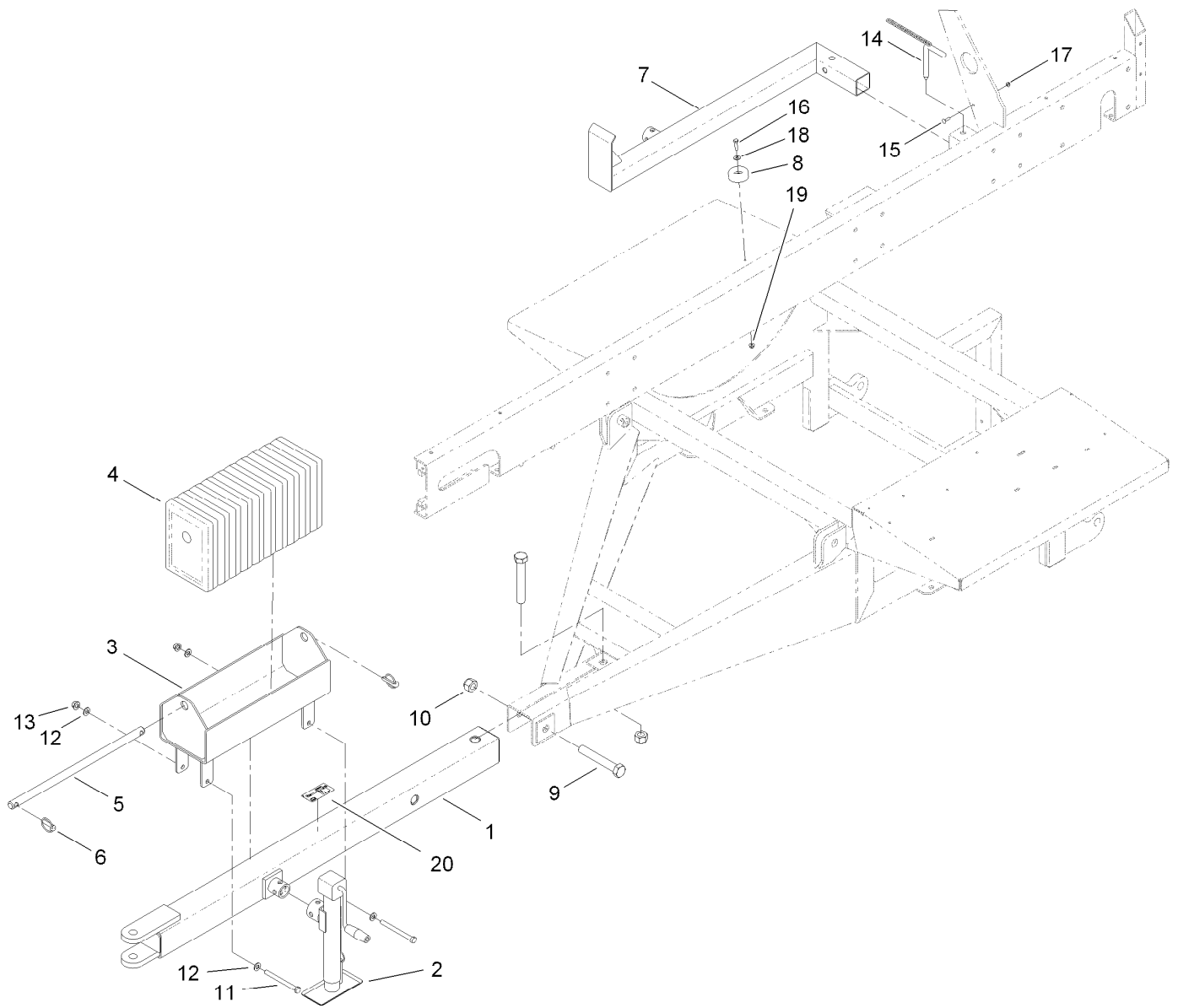
## Attachment Clamp Assembly No. T36015800

<i>Ref.</i>	<i>Part Number</i>	<i>Qty.</i>	<i>Description</i>
2	T36015794	1	Lock-Attachment Clamp
3	T36015200	2	Bar-Bearing
4	T01-13489B	1	Tab-Spacer
5	323-11	2	Screw-HH
6	3253-21	2	Washer-Lock
7	T0000-3247	1	Pin-Lock
8	120-0884	1	Screw-PRH
9	3296-2	1	Nut-Lock, NI



## Guard Assembly

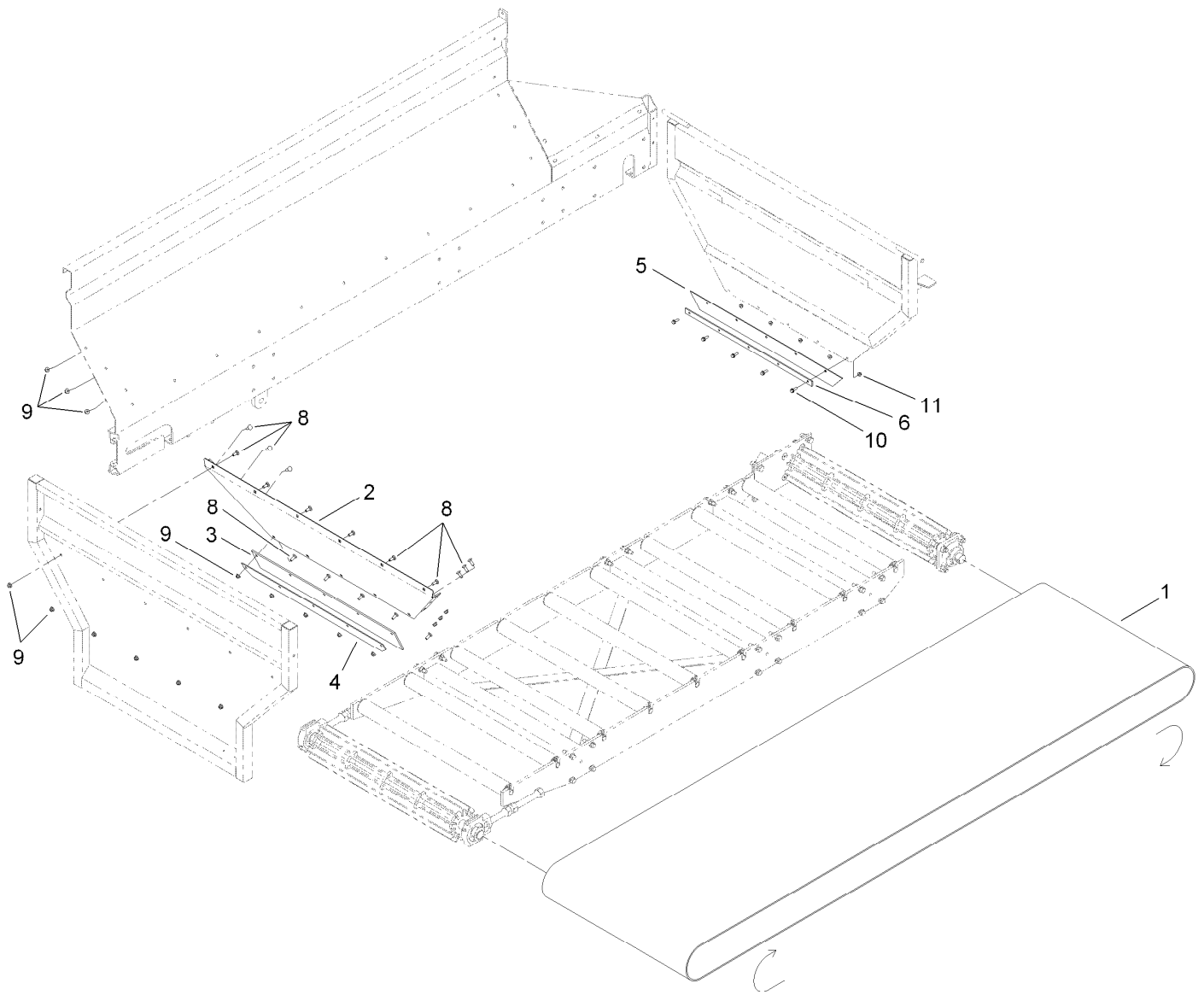
<i>Ref.</i>	<i>Part Number</i>	<i>Qty.</i>	<i>Description</i>	<i>Ref.</i>	<i>Part Number</i>	<i>Qty.</i>	<i>Description</i>
1	T36011630-03	3	Guard-Idler	9	T0001-3570	4	Spacer-Stop, Lift Cylinder
2	T36011640-03	1	Guard-Drive	10	T36011590	2	Pin-Lift Cylinder Stop
3	321-5	2	Screw-HH	11	3218-3	2	Nut-Jam
4	104-8301	2	Nut-Flange, NI	12	T0000-5529-03	1	Guard-Motor, Drive
5	3234-42	8	Screw-HHF	13	117-8347	8	Nut-Shoulder
6	3274-104	4	Screw-HSBH	14	117-8339	8	Lanyard-3 Inch
7	104-8300	4	Nut-Flange, NI	15	146489	8	Rivet
8	T36011580	2	Lift Cylinder Stop ASM	16	3256-24	2	Washer-Flat
8:1	92-5972	4	Grommet-Rubber	18	3256-22	2	Washer-Flat
8:2	93-9852	1	Decal-Warning	19	3253-3	2	Washer-Lock



## Hitch Assembly

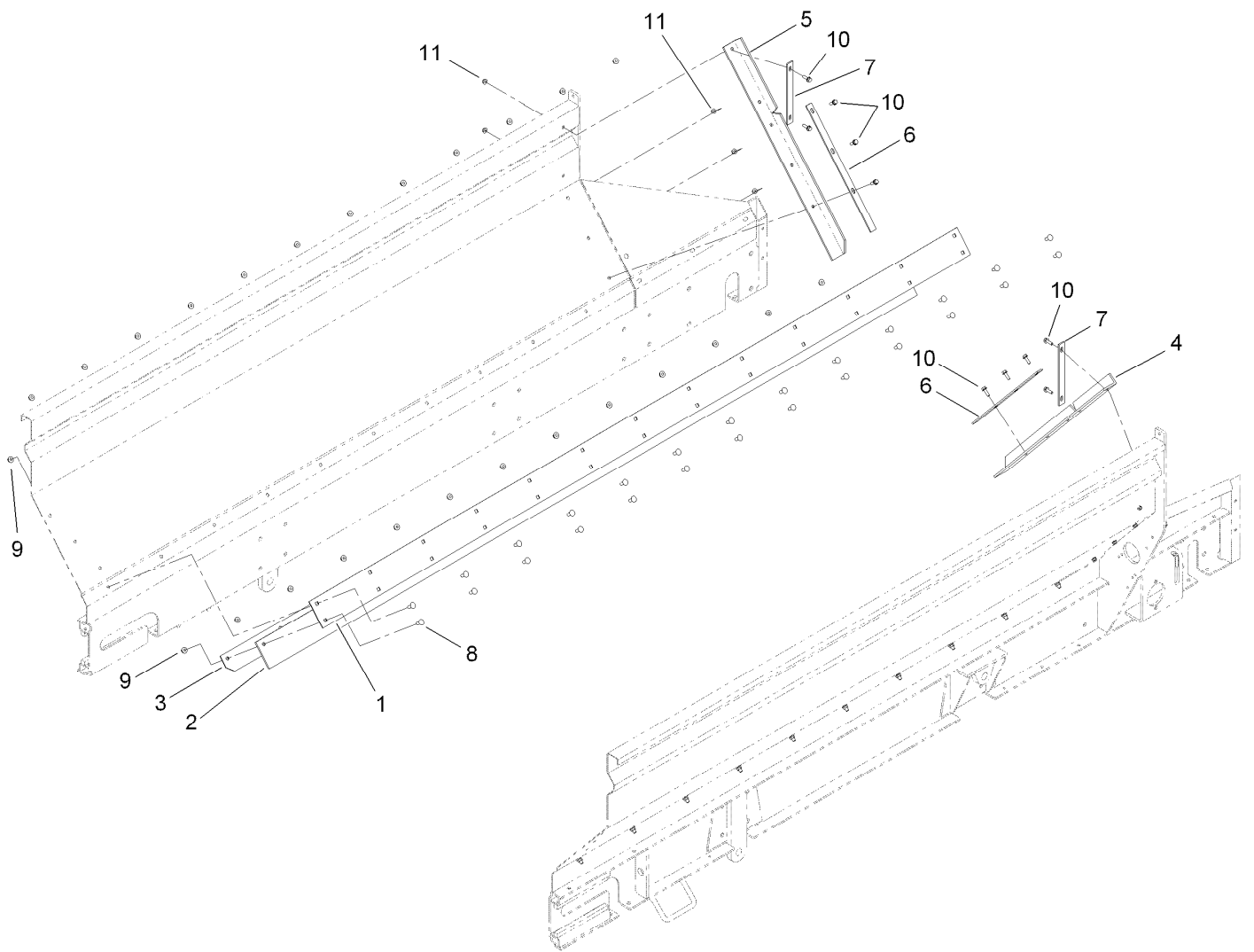
<i>Ref.</i>	<i>Part Number</i>	<i>Qty.</i>	<i>Description</i>	<i>Ref.</i>	<i>Part Number</i>	<i>Qty.</i>	<i>Description</i>
1	T36012112-01	1	Tube-Hitch	11	325-22	2	Screw-HH
2	T0000-3423	1	Jack-Sidewind	12	3256-26	4	Washer-Flat
3	T36028000-01	1	Box-Weight	13	99-5107	2	Nut-Lock
4	119-6860-01	10	Casting-Counterweight	14	T36011195	1	Pin
5	T36028010-01	1	Shaft-Weight Box	15	3229-2	1	Screw-CARR
6	283-71	2	Pin-Lynch	16	322-6	1	Screw-HH
7	T36011190-01	1	Leg-Jack	17	104-7201	1	Nut-HF
8	108-1605	1	Bumper-Recess	18	3256-3	1	Washer-Flat
9	120-0887	2	Screw-HH	19	104-8300	1	Nut-Flange, NI
10	120-0888	2	Nut-HH	20	119-6836	1	Decal-Weight Case





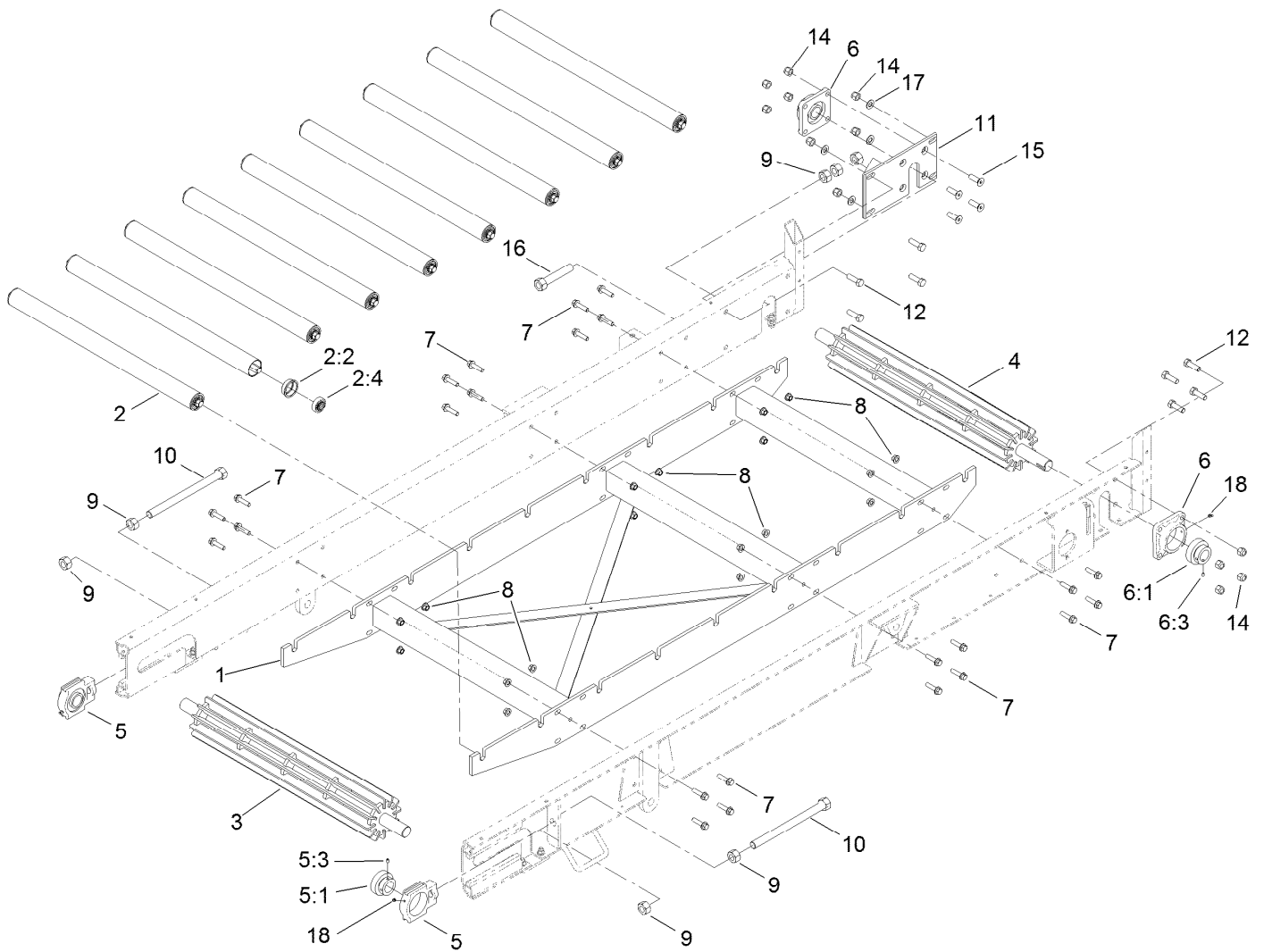
## Belt and Skirting Assembly

<i>Ref.</i>	<i>Part Number</i>	<i>Qty.</i>	<i>Description</i>
1	T60191215	1	Belt-Endless
2	T36011525-01	1	Panel-Sloped
3	T01-22002B	1	Skirt-Front Seal, Rubber
4	T36011535-01	1	Bar-Front Seal
5	T36013010	1	Seal-Belt
6	T36011230-01	1	Retainer-Belt Seal
8	3231-22	17	Screw-CARR
9	104-8301	17	Nut-Flange, NI
10	3234-29	5	Screw-HHF
11	104-8300	5	Nut-Flange, NI



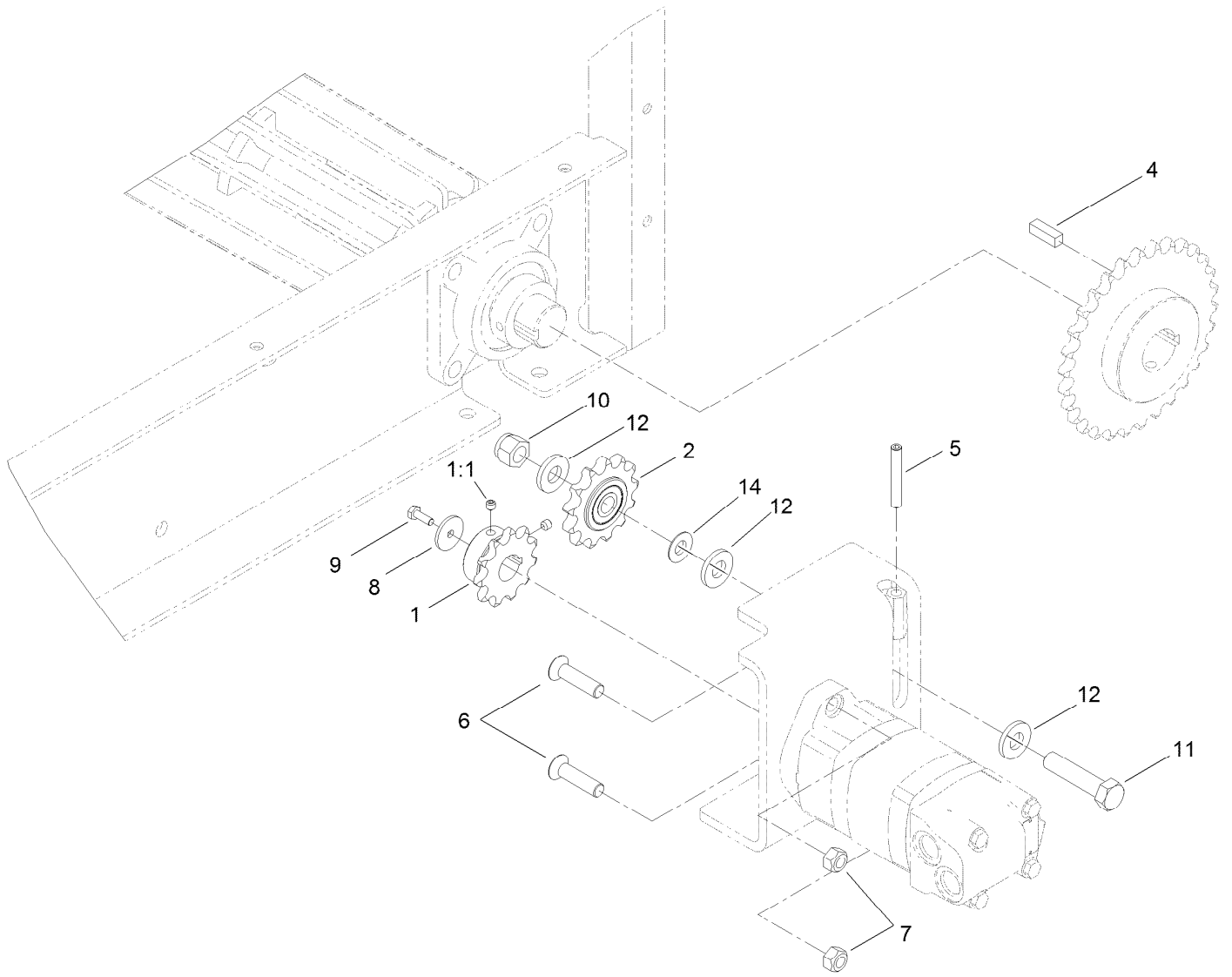
## Skirting Assembly

Ref.	Part Number	Qty.	Description
1	T36011520-01	2	Panel-Side Seal
2	T01-22000B	2	Seal-Rubber, Side
3	T36011530-01	2	Bar-Side Seal
4	T36011260	1	Seal-Tailgate, LH
5	T36011270	1	Seal-Tailgate, RH
6	T36011280-01	2	Bar-Seal, Lower
7	T36011290-01	2	Bar-Seal, Upper
8	3231-22	52	Screw-CARR
9	104-8301	52	Nut-Flange, NI
10	3234-29	10	Screw-HHF
11	104-8300	10	Nut-Flange, NI



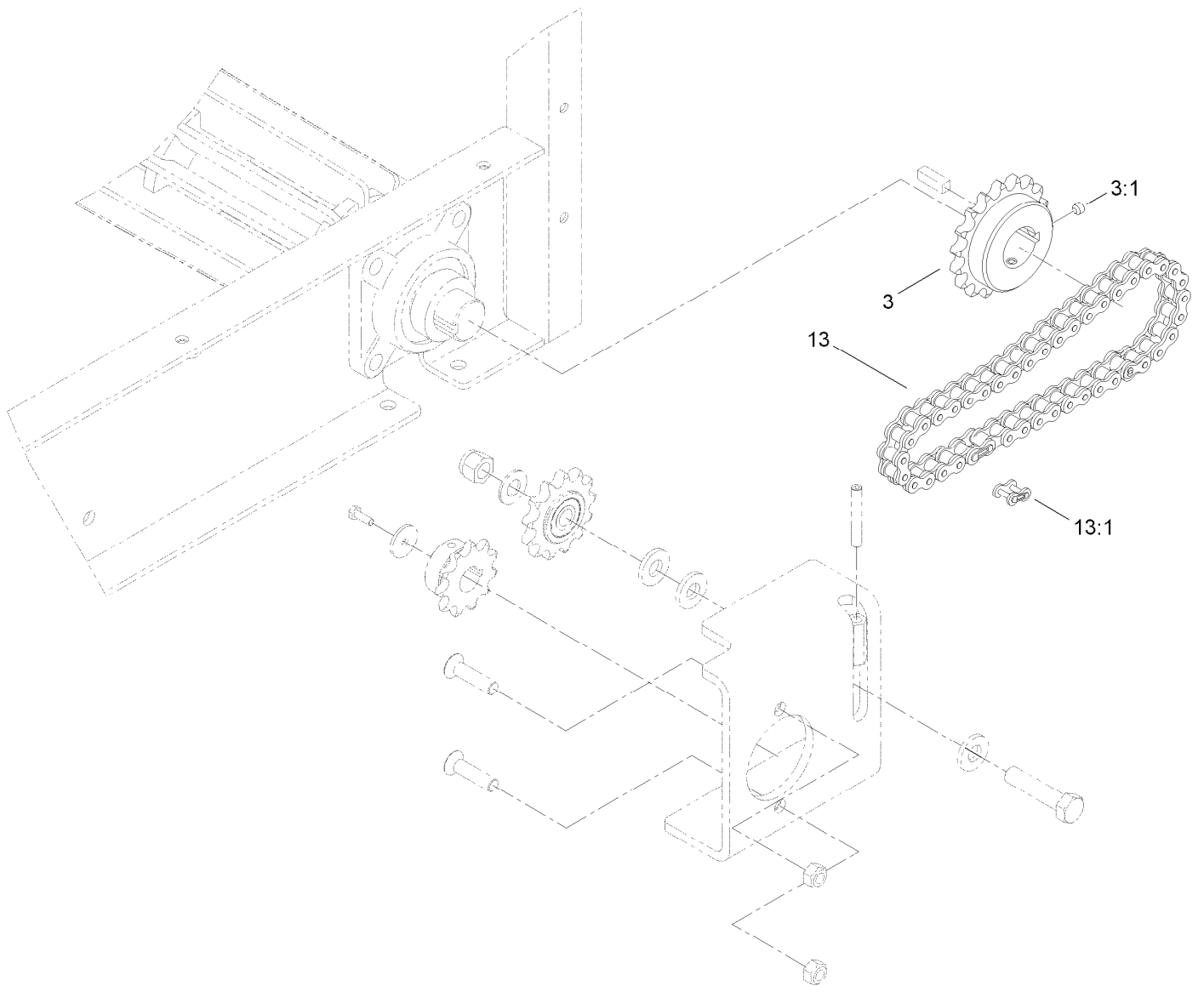
## Conveyor Assembly

Ref.	Part Number	Qty.	Description	Ref.	Part Number	Qty.	Description
1	T36011600-01	1	Frame-Roller	7	3234-27	24	Screw-HHF
2	T36011680	9	Belt Roller ASM	8	99-5107	24	Nut-Lock
2:2	T36011685	2	Insert-Roller	9	SG330081	7	Nut-Hex
2:4	T60111000	2	Bearing-Ball	10	T36011670	2	Rod-Tensioner
3	T36011620-03	1	Rooler-Idler	11	T36011690-01	1	Plate-Mounting
4	119-6892-03	1	Roller-Drive	12	327-6	8	Screw-HH
5	T60114305	2	Take-Up Bearing ASM	14	3296-53	12	Nut-Lock, NI
5:1	120-0817	1	Bearing-Collar, Lock	15	120-0904	4	Screw-HSH
5:3	3246-17	1	Setscrew-HSH	16	T36011675	1	Rod-Lock
6	T60116355	2	4-Bolt Bearing ASM	17	3256-27	4	Washer-Flat
6:1	120-0817	1	Bearing-Collar, Lock	18	302-61	4	Fitting-Grease
6:3	3246-17	1	Setscrew-HSH				



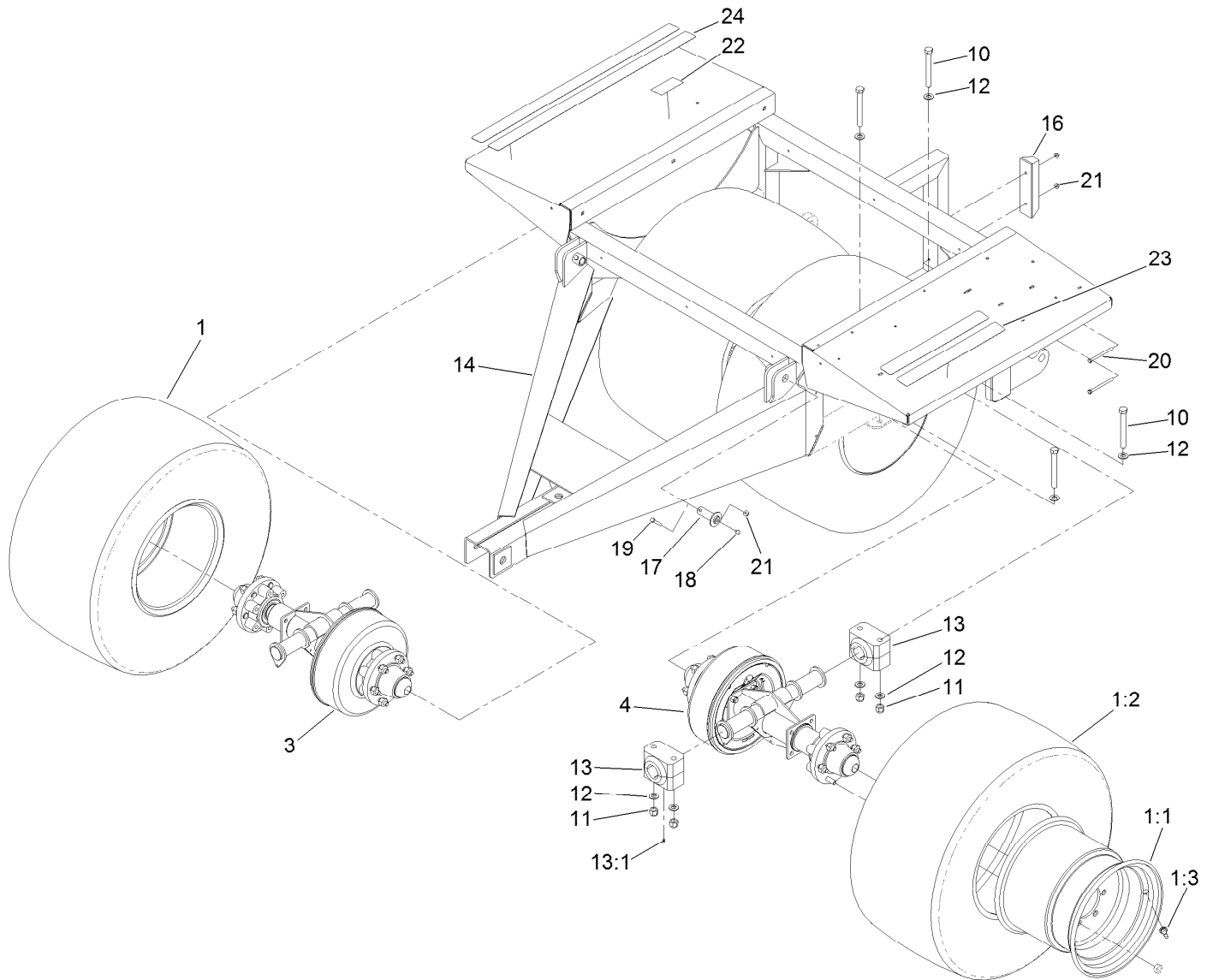
## Chain Drive Assembly

<i>Ref.</i>	<i>Part Number</i>	<i>Qty.</i>	<i>Description</i>
1	T60135010	1	Sprocket
1:1	3246-2	2	Screw-Set, HSH
2	T60134090	1	Sprocket
4	T36011810	1	Key
5	120-0909	1	Screw-HSH
6	120-0898	2	Screw-Fhhs
7	97-1206	2	Locknut
8	103995	1	Washer
9	321-4	1	Screw-HH
10	3296-53	1	Nut-Lock, NI
11	327-8	1	Screw-HH
12	99-7667	3	Washer-Flat
14	3256-27	1	Washer-Flat



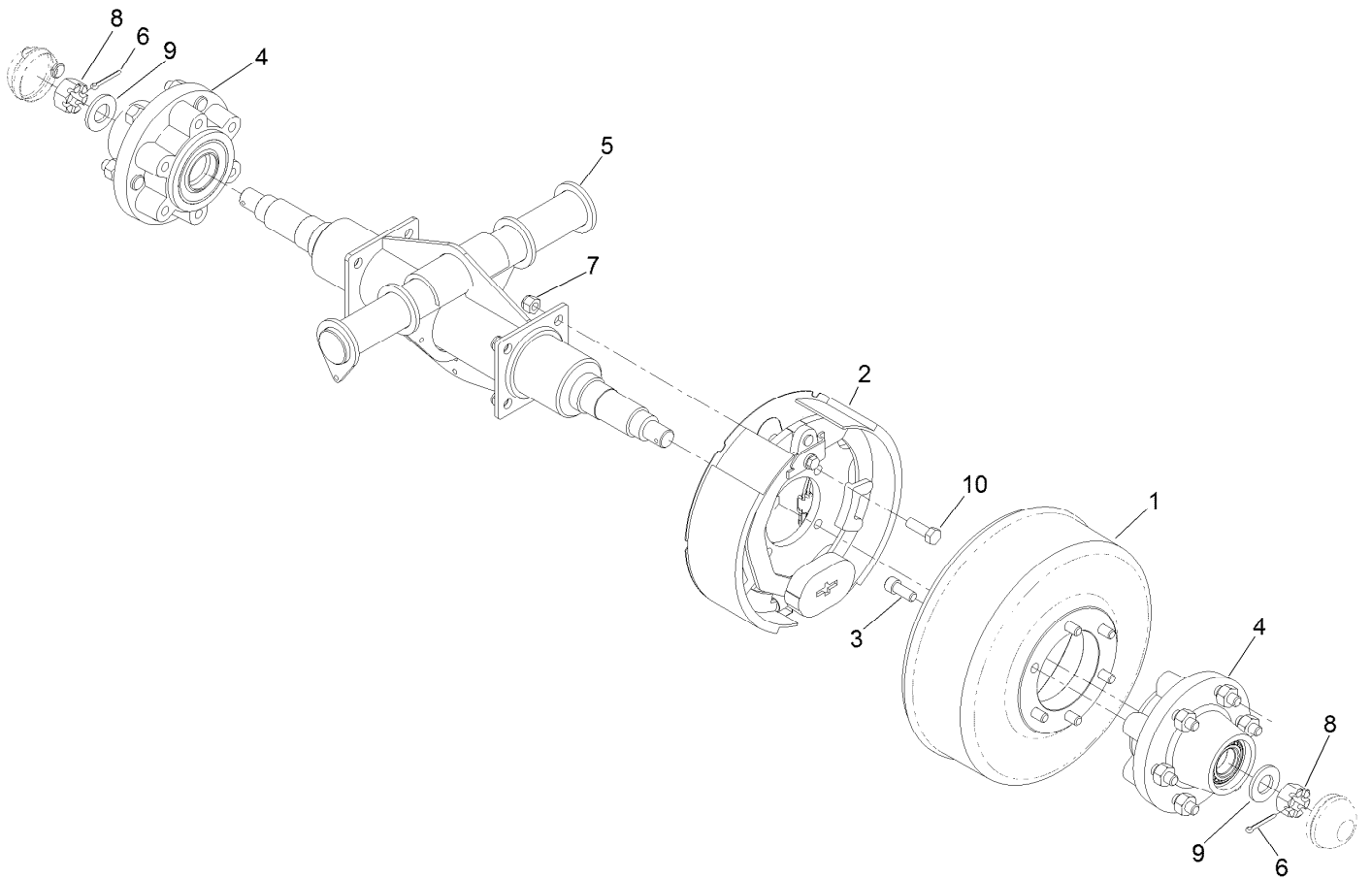
## Chain and Sprocket Assembly

<i>Ref.</i>	<i>Part Number</i>	<i>Qty.</i>	<i>Description</i>
3	T0000-8137	1	Sprocket
3:1	3247-2	2	Screw-Set, HSH
13	T36011805	1	Chain-Drive, 33 Inch
13:1	T60151016	1	Link-Connecting, #60



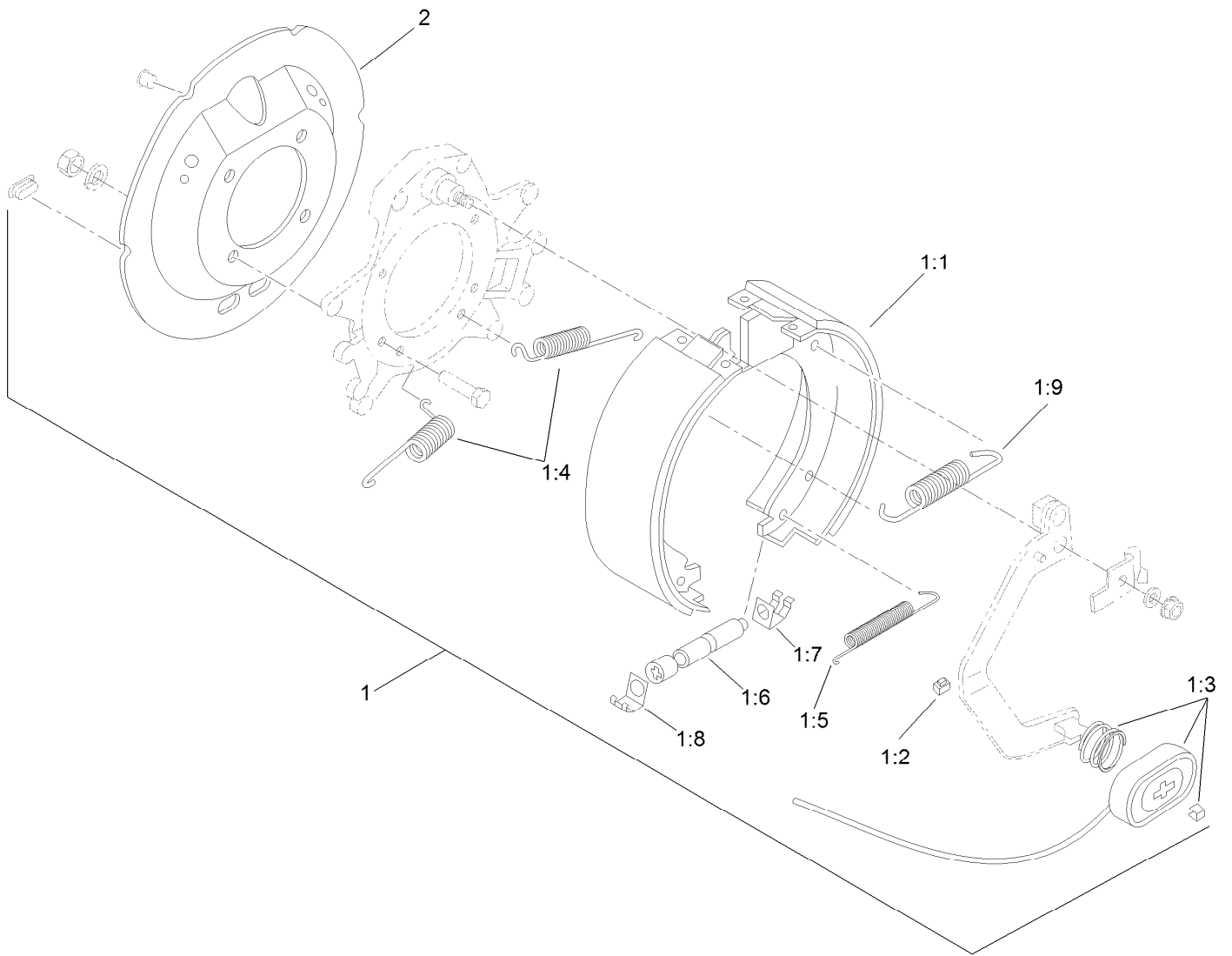
## Wheel Assembly

Ref.	Part Number	Qty.	Description	Ref.	Part Number	Qty.	Description
1	120-9410	4	Wheel And Tire ASM	14	T01-43164D-01	1	Frame
1:1	120-9411	1	Wheel-Turf	16	T62011021	1	Bumper-Rubber
1:2	120-9412	1	Tire-Turf	17	T36012070-01	2	Pin-Hinge
1:3	232-24	1	Stem-Valve	18	302-2	2	Fitting-Grease
3	120-9401	1	RH Shaft ASM	19	322-10	2	Screw-HH
4	120-9402	1	LH Shaft ASM	20	322-19	2	Screw-HH
10	120-0923	8	Screw-HH	21	104-8300	4	Nut-Flange, NI
11	120-0924	8	Nut-Lock, NI	22	119-6835	1	Decal-Jack
12	119-1868	16	Washer	23	T36013050	2	Thread-Walk, Safety
13	T60111196	4	Bearing-Polyurethane	24	T36013052	2	Thread-Walk, Safety
13:1	302-19	1	Fitting-Grease				



## RH Shaft Assembly No. 120-9401

Ref.	Part Number	Qty.	Description
1	119-6871	1	Drum-Brake
2	120-9437	1	LH Brake ASM
3	120-0940	6	Screw-HSH
4	120-9404	2	Hub ASM
5	120-9405-03	1	Beam-Walking
6	3272-23	2	Pin-Cotter
7	3296-19	4	Nut-Hex
8	32136-11	2	Nut-Hex, Slot
9	T54051068	2	Washer-Spindle
10	325-6	4	Screw-HH

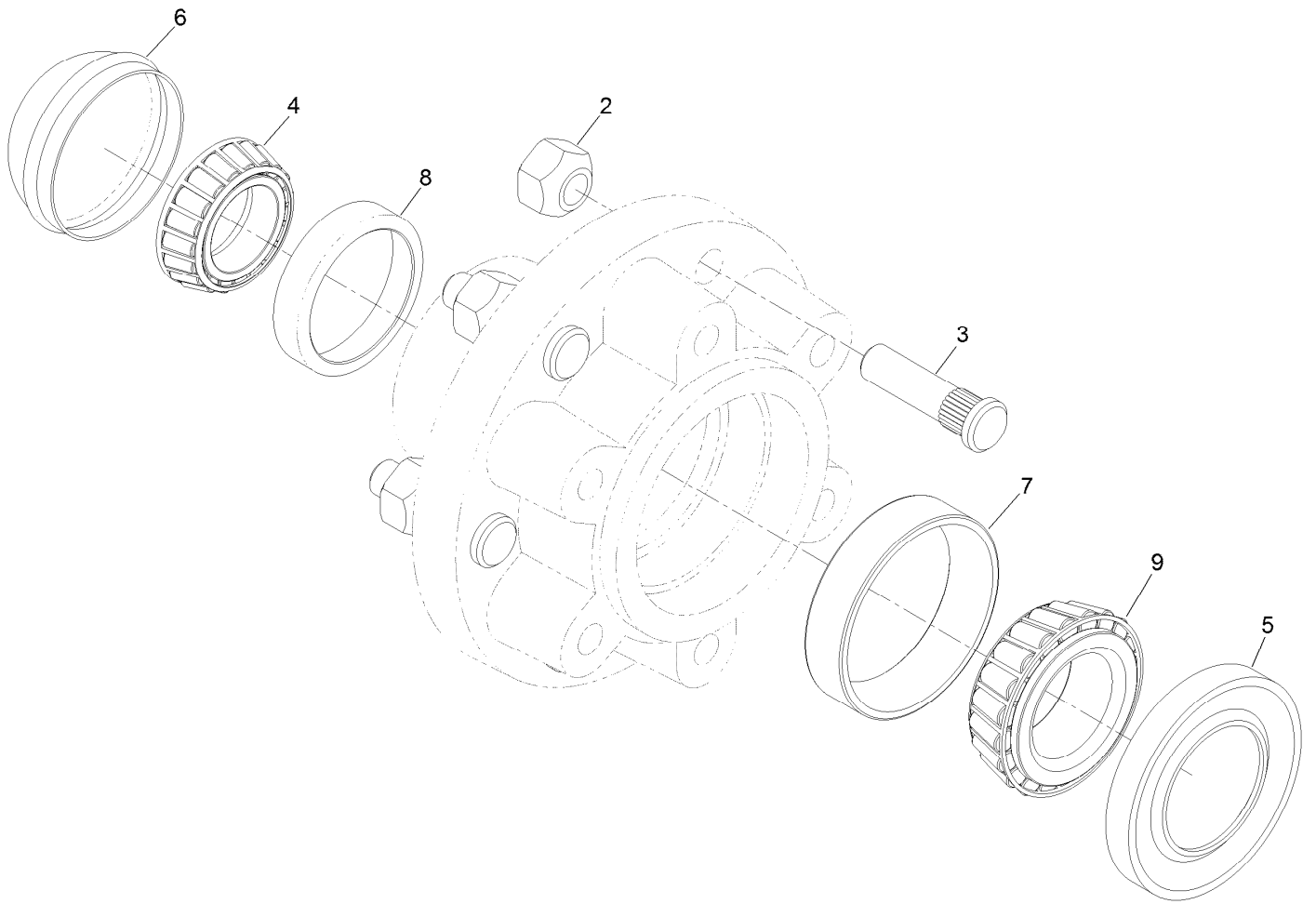


## LH Brake Assembly No. 120-9437

Ref.	Part Number	Qty.	Description
1		1	Brake-LH ●
1:1	120-9441	1	LH Shoe And Lining Kit
1:2	120-9443	1	Clip-Wire
1:3	120-9444	1	Magnet Kit
1:4	120-9445	2	Spring-Centering
1:5	120-9446	1	Spring-Adjuster
1:6	120-9447	1	Adjuster Assembly
1:7	120-9448	1	Clip-Adjuster
1:8	120-9449	1	Clip-Adjuster
1:9	120-9396	1	Spring-Return
2	120-9433	1	Cover-Dust, Brake

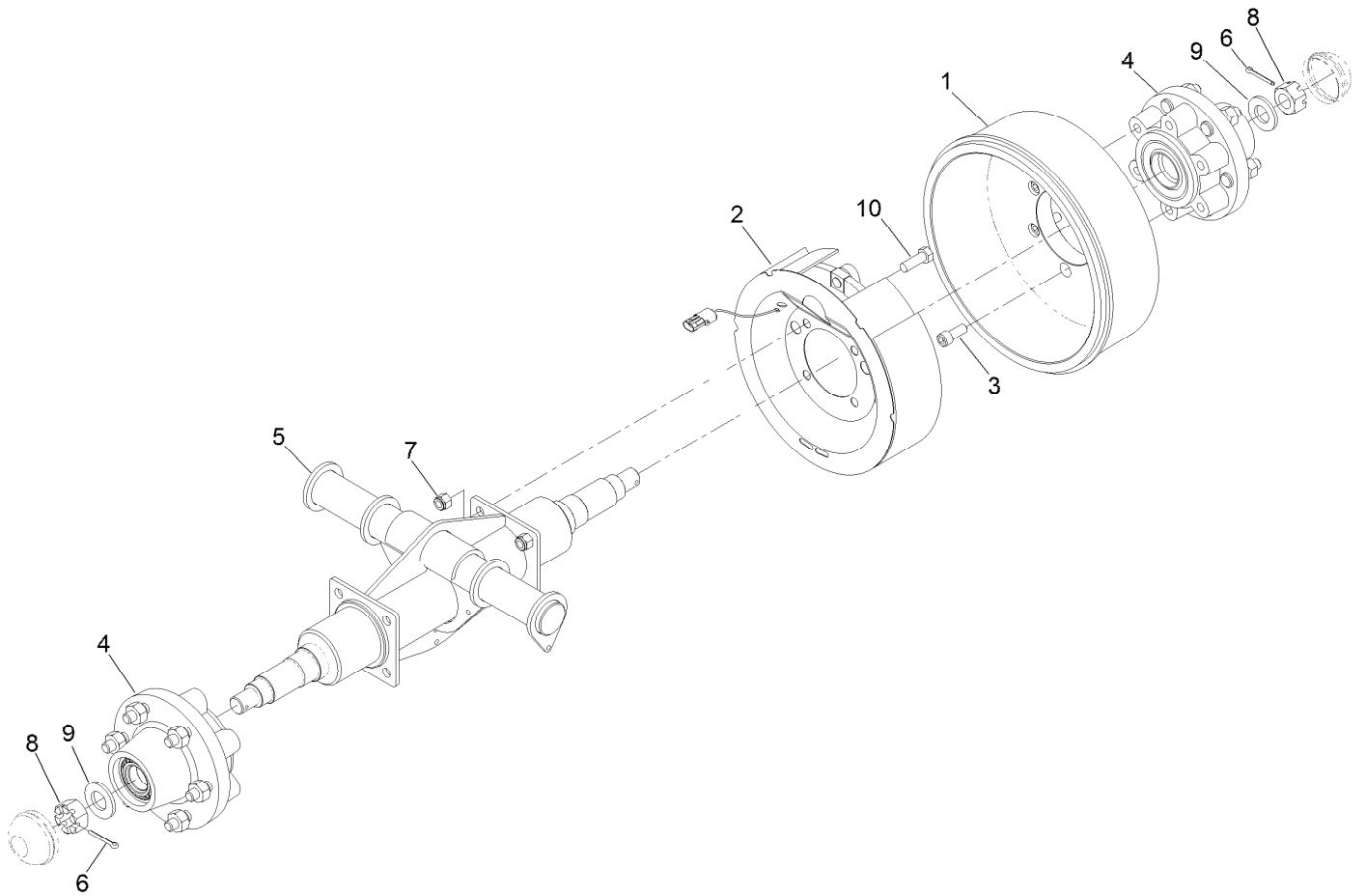
● Not serviced separately





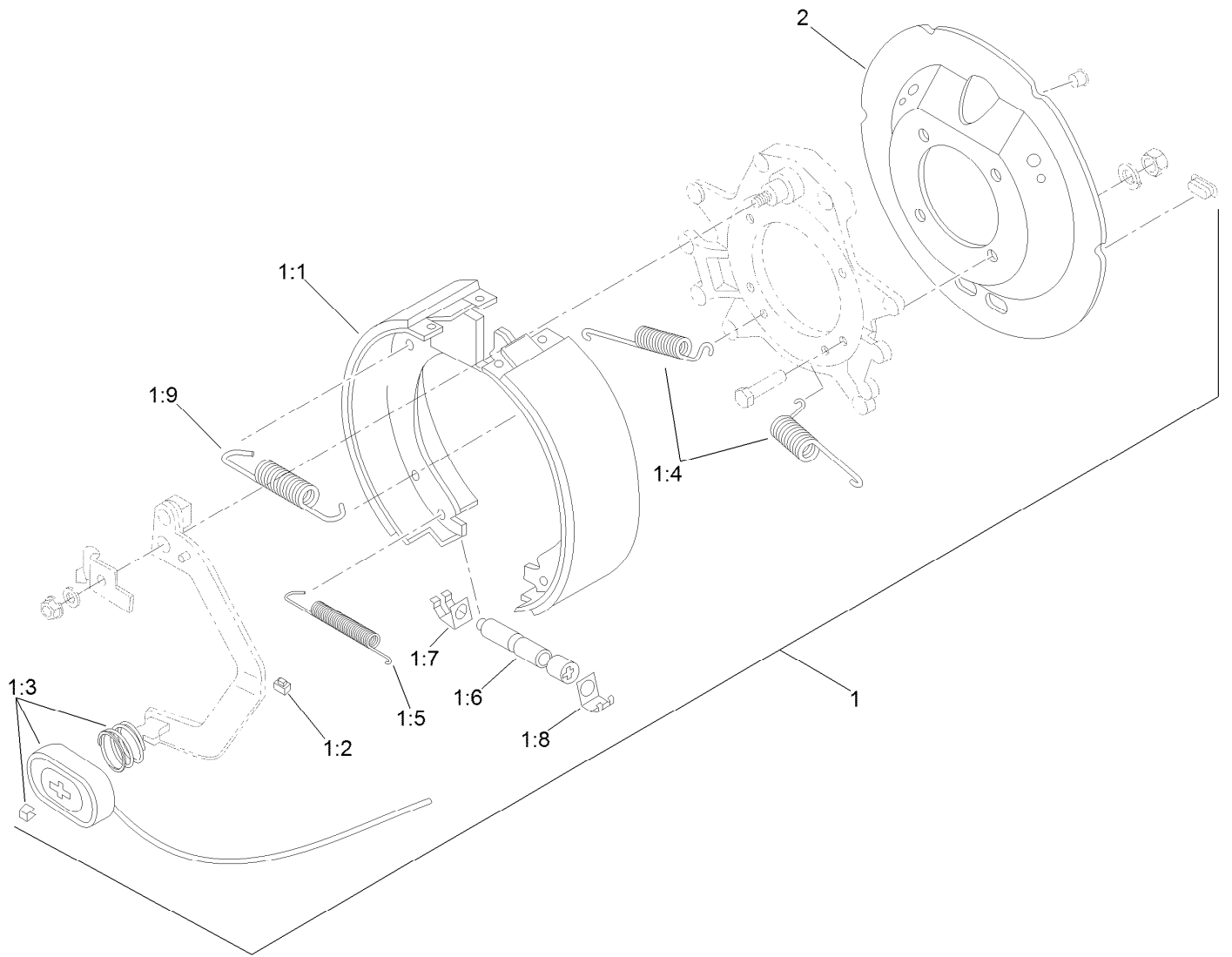
## Hub Assembly No. 120-9404

<i>Ref.</i>	<i>Part Number</i>	<i>Qty.</i>	<i>Description</i>
2	T54031040	6	Nut-Wheel
3	T54031042	6	Stud-Wheel
4	T54051010	1	Bearing-Hub, Outer
5	T54051019	1	Seal-Bearing
6	T54051026	1	Cap-Hub (5000/6000 Lb.)
7	T54051037	1	Race-Bearing, Inner
8	T54051042	1	Races-Bearing, Outer
9	T54051100	1	Bearing-Hub, Inner



## LH Shaft Assembly No. 120-9402

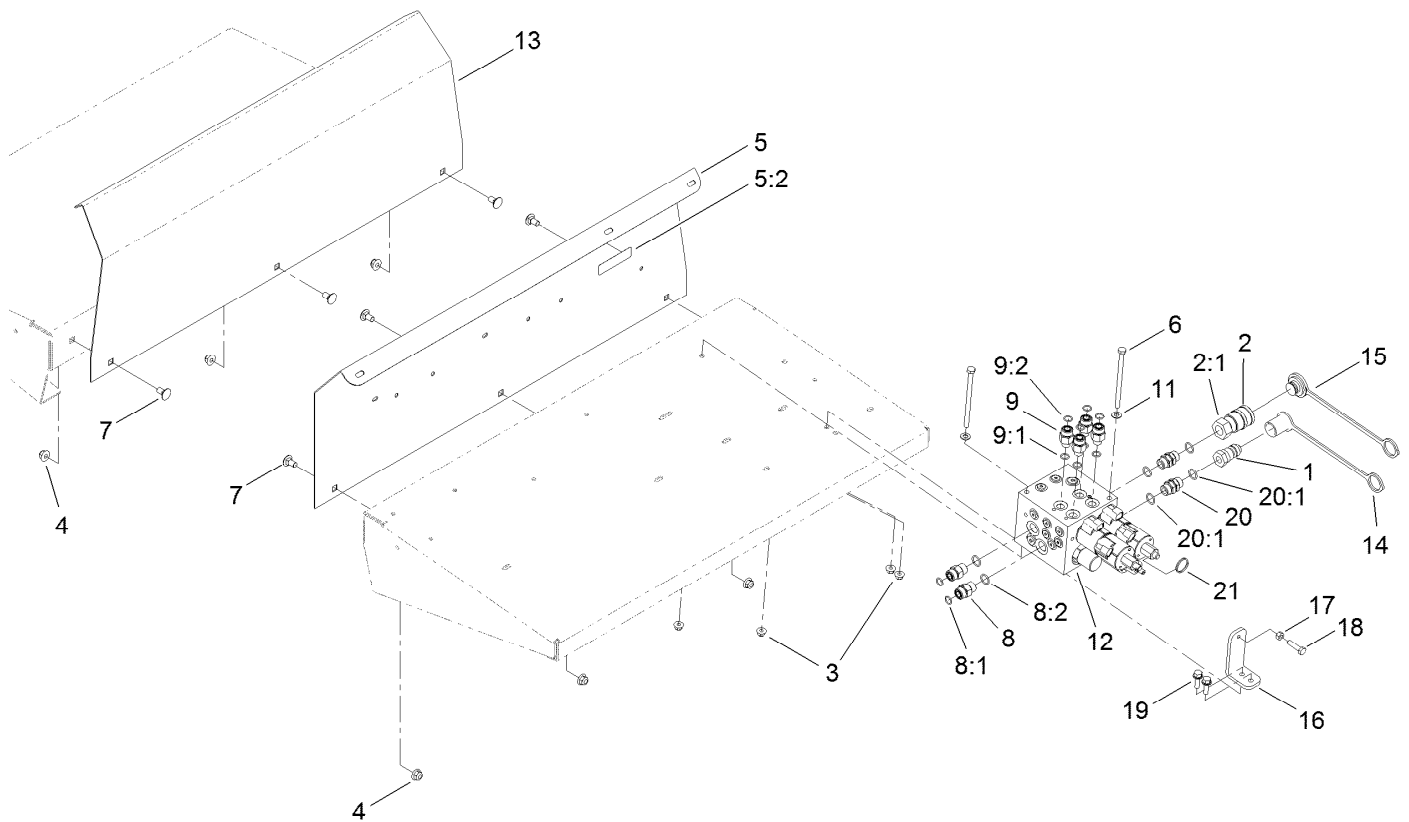
Ref.	Part Number	Qty.	Description
1	119-6871	1	Drum-Brake
2	120-9436	1	RH Brake ASM
3	120-0940	6	Screw-HSH
4	120-9404	2	Hub ASM
5	120-9405-03	1	Beam-Walking
6	3272-23	2	Pin-Cotter
7	3296-19	4	Nut-Hex
8	32136-11	2	Nut-Hex, Slot
9	T54051068	2	Washer-Spindle
10	325-6	4	Screw-HH



## RH Brake Assembly No. 120-9436

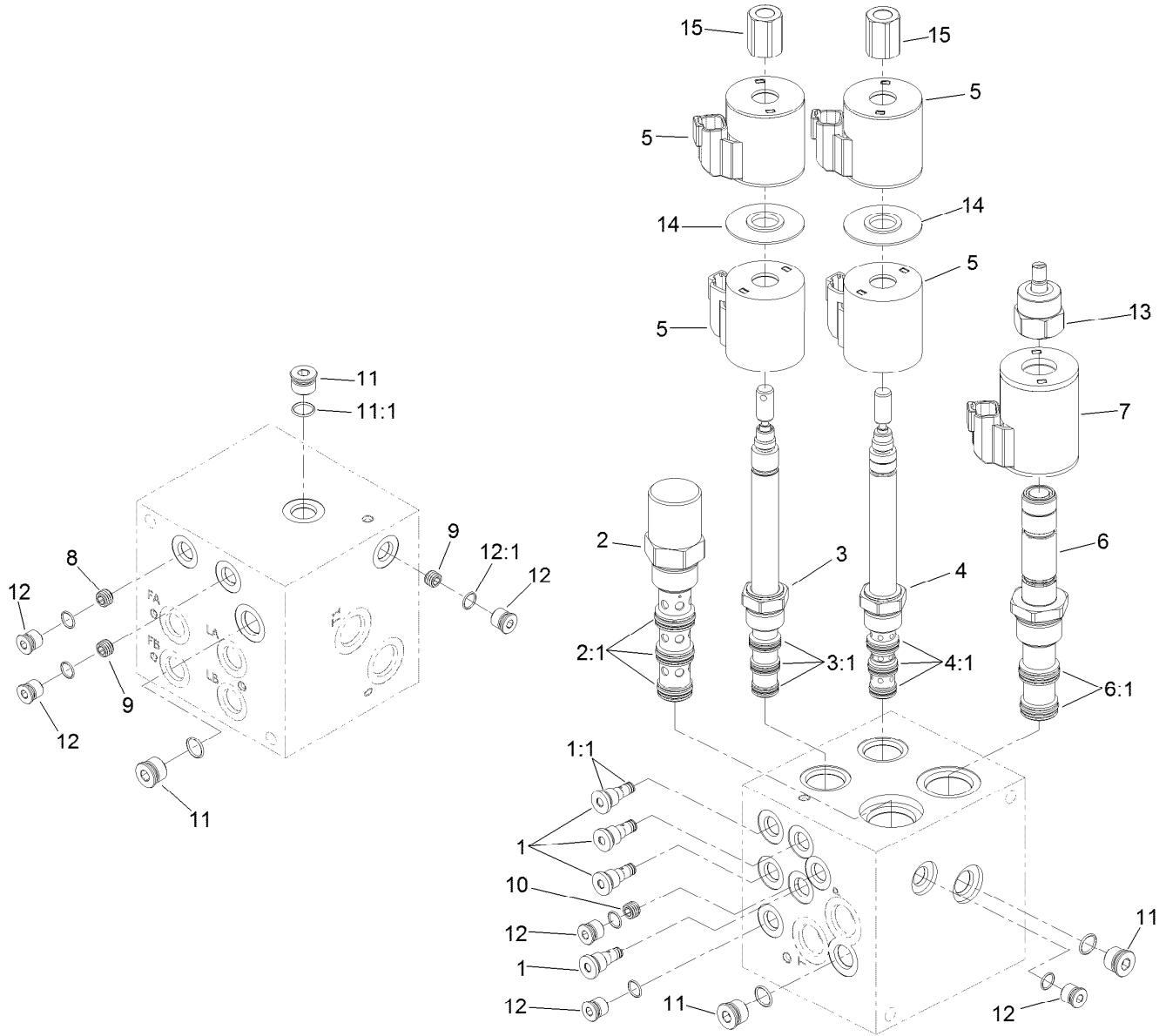
Ref.	Part Number	Qty.	Description
1		1	Brake-RH ●
1:1	120-9442	1	RH Shoe And Lining Kit
1:2	120-9443	1	Clip-Wire
1:3	120-9444	1	Magnet Kit
1:4	120-9445	2	Spring-Centering
1:5	120-9446	1	Spring-Adjuster
1:6	120-9447	1	Adjuster Assembly
1:7	120-9448	1	Clip-Adjuster
1:8	120-9449	1	Clip-Adjuster
1:9	120-9396	1	Spring-Return
2	120-9433	1	Cover-Dust, Brake

● Not serviced separately



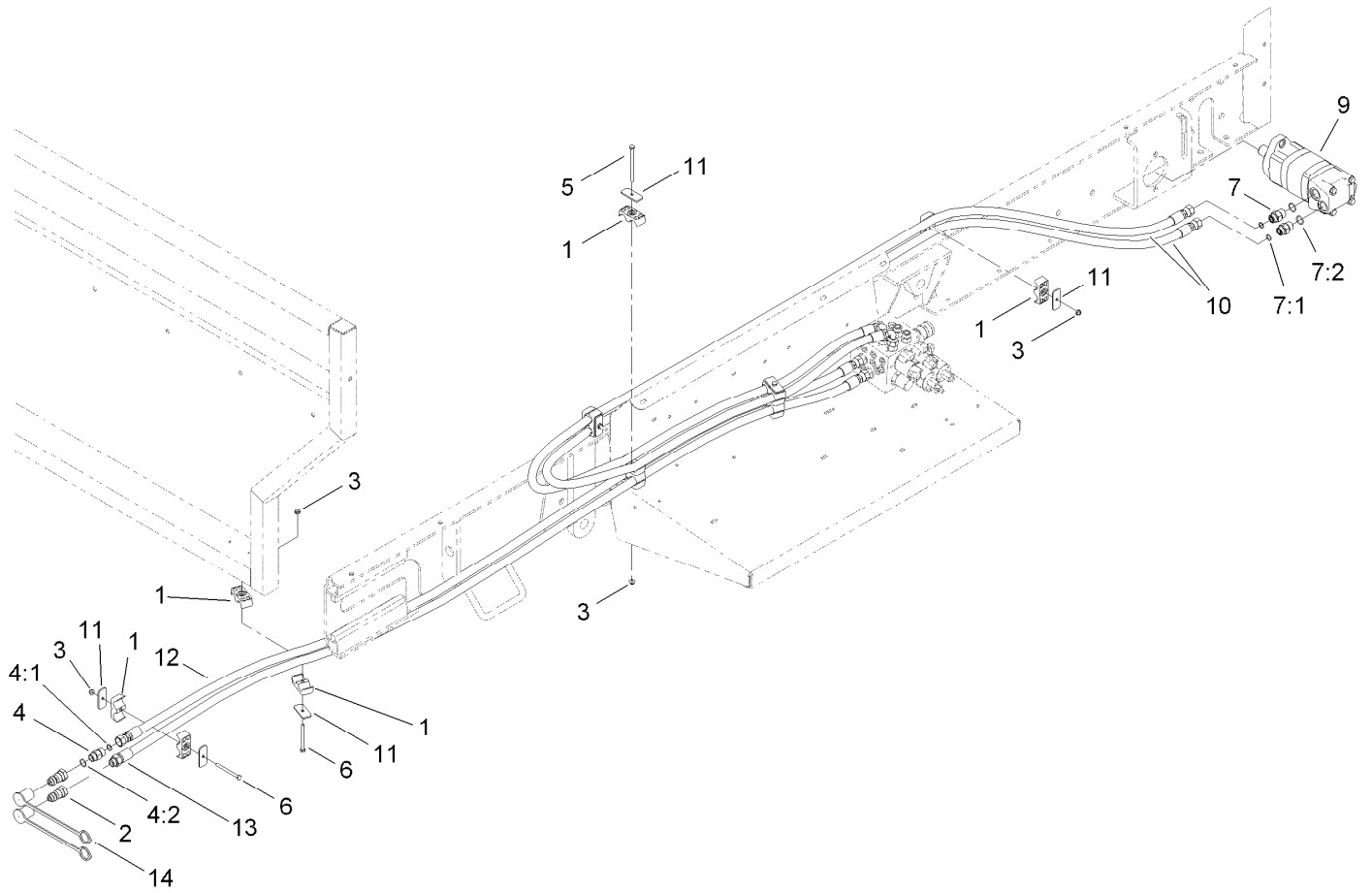
## Hydraulic Manifold Block and Fitting Assembly

Ref.	Part Number	Qty.	Description	Ref.	Part Number	Qty.	Description
1	98-4698	1	Male-Disconnect, Quick	9:2	237-30	1	O-Ring
2	98-4699	1	Female-Disconnect, Quick	11	3256-23	2	Washer-Flat
2:1	100-4165	1	Seal Kit	12	T0000-7792	1	HYD Block ASM
3	104-8300	4	Nut-Flange, NI	13	T36011720-01	1	Guard-Fender, RH
4	104-8301	6	Nut-Flange, NI	14	T56152152	1	Cap-Quick Connect, 1/2 Inch
5	120-0921	1	LH Fender Guard Service ASM	15	T56152150	1	Plug-Quick Connect, 1/2 Inch
5:2	119-0217	1	Decal-Danger	16	T0002-4579-01	1	Bracket-Override Manual
6	322-49	2	Bolt-HH	17	3217-6	1	Nut-Hex
7	3231-1	6	Screw-CARR	18	322-6	1	Screw-HH
8	340-4	2	Fitting-HYD, Straight	19	3234-29	2	Screw-HHF
8:1	237-30	1	O-Ring	20	95-3209	2	Fitting-Thread, Straight
8:2	237-79	1	O-Ring	20:1	237-79	2	O-Ring
9	340-5	4	Fitting-Straight	21	106-1392	1	Ring-Retaining, Spiral (EXT)
9:1	237-42	1	O-Ring				



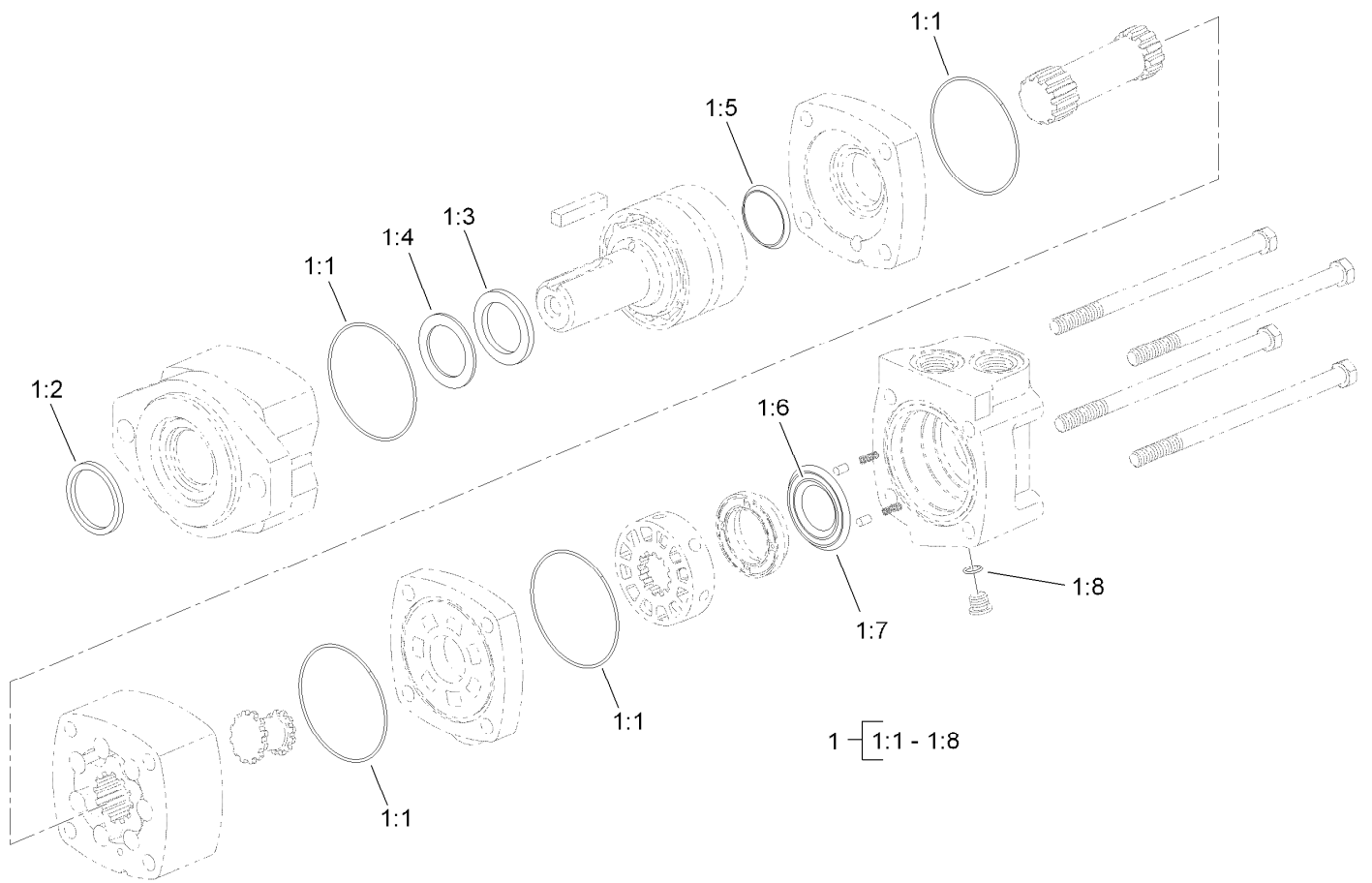
## Hydraulic Block Assembly No. T0000-7792

Ref.	Part Number	Qty.	Description	Ref.	Part Number	Qty.	Description
1	120-9415	4	Valve-Check	7	120-0920	1	Coil-Valve
1:1	125-0100	1	Seal Kit	8	110-8883	1	Plug-Orifice (0.040)
2	120-9416	1	Valve-Pressure Compensator	9	110-8889	2	Plug-Orifice (0.020)
2:1	110-6111	1	Seal Kit	10	120-9422	1	Plug-Orifice (0.068)
3	120-9417	1	Valve-Solenoid	11	353-508	4	Plug-HH
3:1	110-8908	1	Spool Valve Seal Kit	11:1	237-42	1	O-Ring
4	120-9418	1	Valve-Solenoid	12	353-990	6	Plug ASM
4:1	110-8908	1	Spool Valve Seal Kit	12:1	237-78	1	O-Ring
5	119-4619	4	Coil-Solenoid	13	125-0101	1	Nut-Coil
6	120-9420	1	Valve-Proportional Flow	14	117-8316	2	Spacer-E Coil
6:1	114-5515	1	Seal Kit	15	125-0102	2	Nut-Coil



## Hydraulic Motor and Hose Assembly

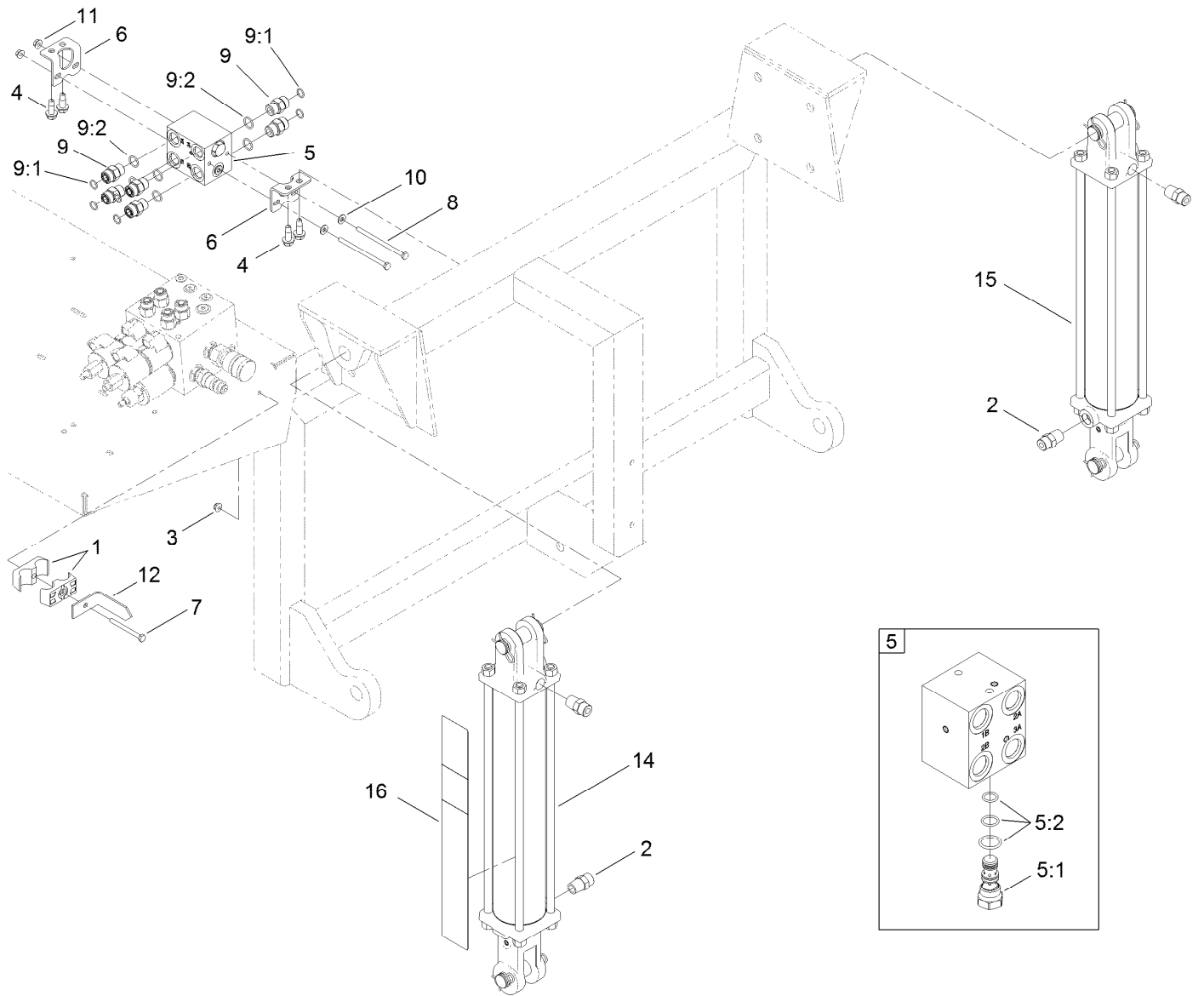
<i>Ref.</i>	<i>Part Number</i>	<i>Qty.</i>	<i>Description</i>	<i>Ref.</i>	<i>Part Number</i>	<i>Qty.</i>	<i>Description</i>
1	56-7974	16	Clamp-Tube	7:1	237-30	1	O-Ring
2	98-4698	2	Male-Disconnect, Quick	7:2	237-80	1	O-Ring
3	104-7201	6	Nut-HF	9	T0000-5303	1	HYD Motor ASM
4	119-6898	1	Valve-Check, HYD	10	120-0865	2	Hose-HYD
4:1	237-30	1	O-Ring	11	T36033040	7	Plate-Clamp
4:2	237-79	1	O-Ring	12	120-0866	1	Hose-HYD
5	321-19	2	Screw-HH	13	120-0867	1	Hose-HYD
6	321-18	2	Screw-HH	14	T56152152	2	Cap-Quick Connect, 1/2 Inch
7	340-6	2	Fitting-HYD, Straight				



## Hydraulic Motor Assembly No. T0000-5303

Ref.	Part Number	Qty.	Description
1	56-6890	1	Seal Kit
1:1		4	O-Ring ●
1:2		1	Seal-Exclusion, Shaft ●
1:3		1	Seal-Shaft ●
1:4		1	Ring-Back-Up ●
1:5		1	Seal-Face, Shaft ●
1:6		1	Seal-Face, Inner ●
1:7		1	Seal-Face, Outer ●
1:8		1	O-Ring ●

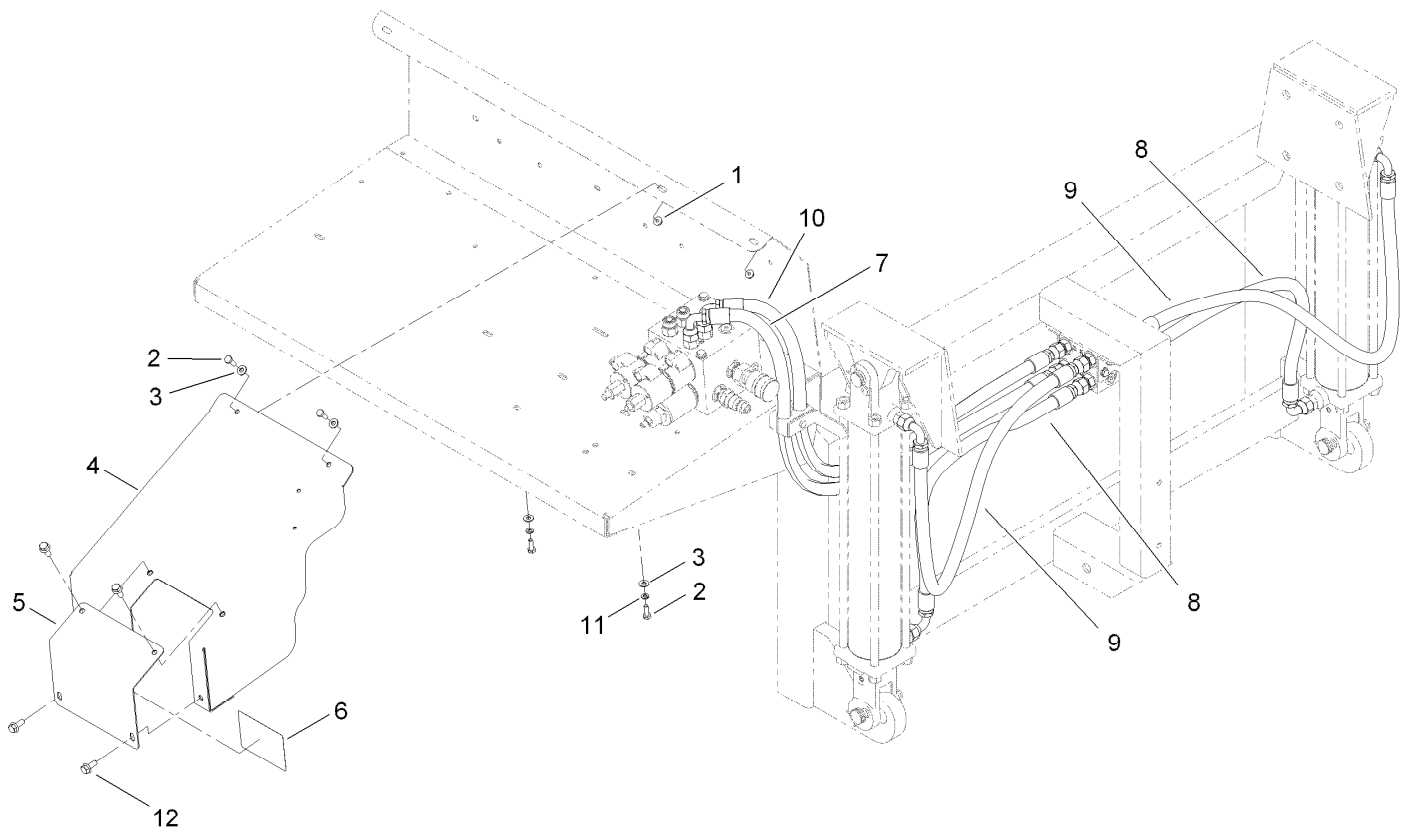
● Not serviced separately



## Hydraulic Cylinder and Manifold Block Assembly

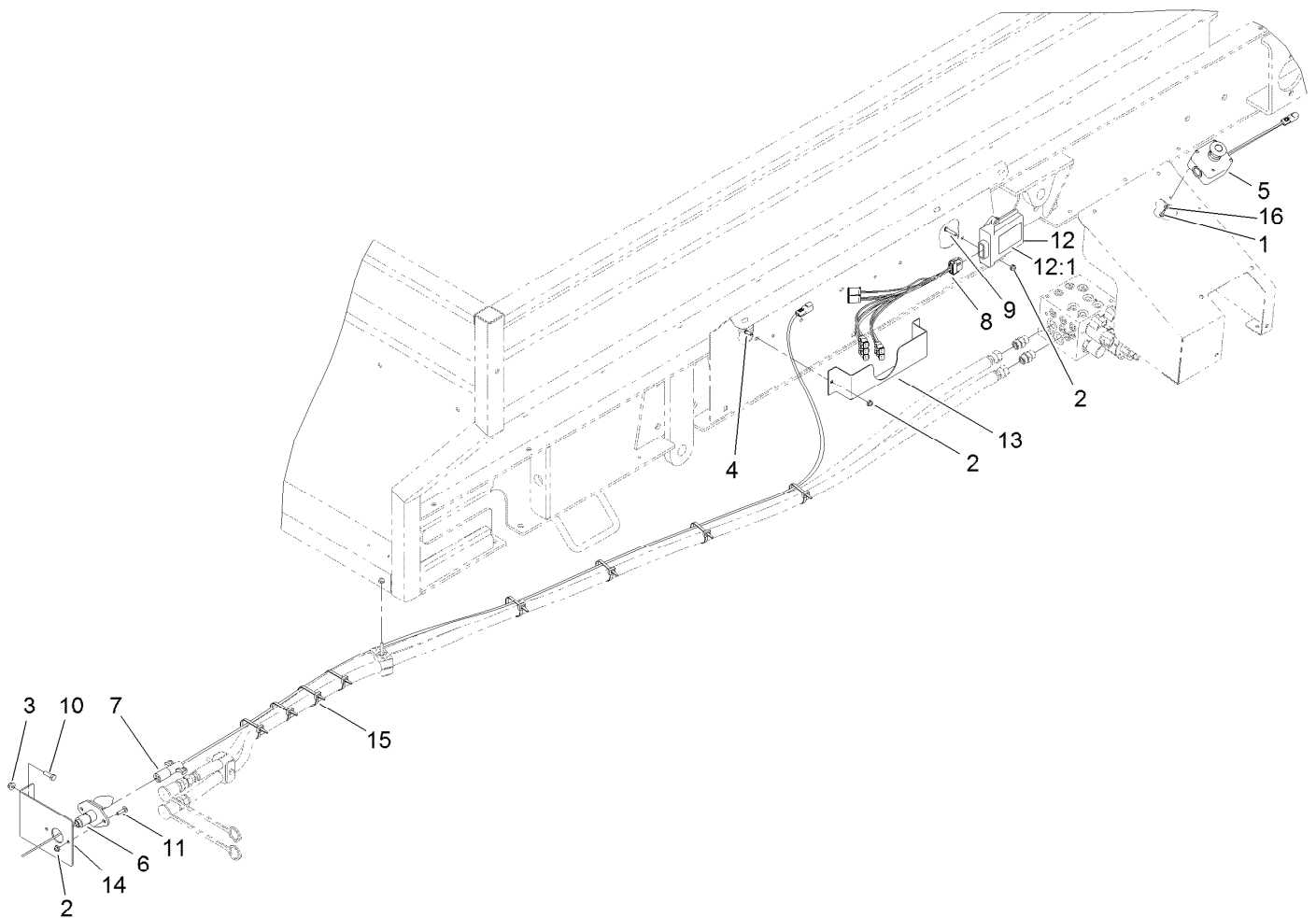
Ref.	Part Number	Qty.	Description	Ref.	Part Number	Qty.	Description
1	56-7974	2	Clamp-Tube	9	340-4	6	Fitting-HYD, Straight
2	93-5107	4	Fitting-Adapter	9:1	237-30	1	O-Ring
3	104-7201	1	Nut-HF	9:2	237-79	1	O-Ring
4	105-6245	4	Screw-Tapping	10	3256-22	2	Washer-Flat
5	120-0849	1	Block-Manifold, Po Check	11	32128-33	2	Nut-HF
5:1	120-0873	1	Valve-Po Check	12	T36011570	1	Bar-Indicator, Lift
5:2	120-0886	1	Seal Kit	14	T56071160	1	HYD Cylinder ASM
6	120-0875-03	2	Bracket-Mounting, Manifold	15	T56071170	1	HYD Cylinder ASM
7	321-18	1	Screw-HH	16	119-6863	1	Decal-Load Range
8	321-34	2	Screw-HH				





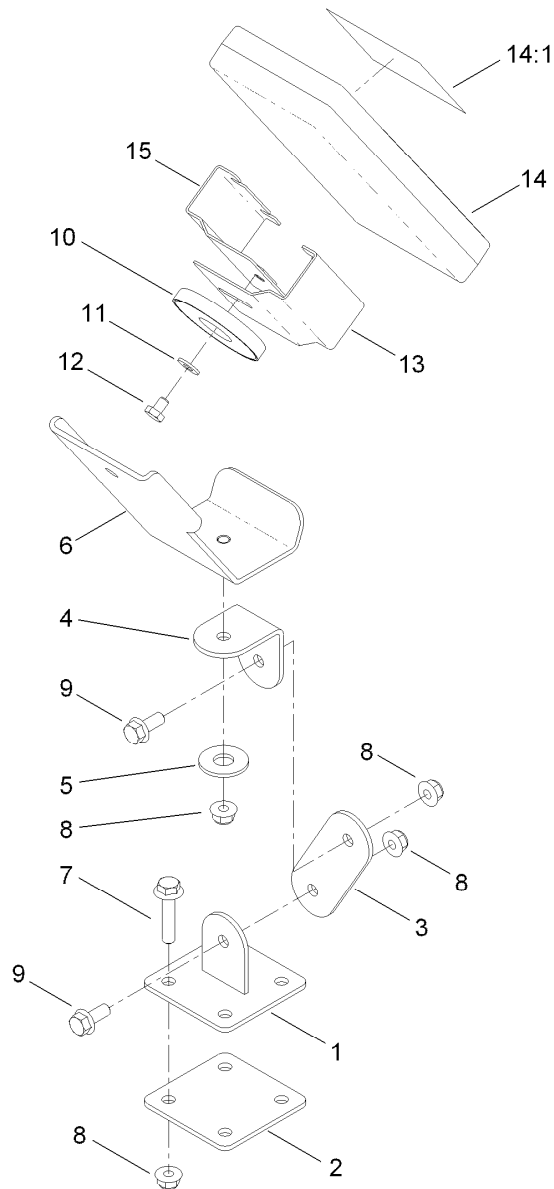
## Block Guard and Hose Assembly

<i>Ref.</i>	<i>Part Number</i>	<i>Qty.</i>	<i>Description</i>
1	104-7201	2	Nut-HF
2	321-4	4	Screw-HH
3	3256-22	4	Washer-Flat
4	T0002-4581-01	1	Guard-Block
5	T0002-4578-01	1	Plate-Cover, Override
6	119-6832	1	Decal-Adjustment
7	120-0868	1	Hose-HYD
8	120-0869	2	Hose-HYD
9	120-0870	2	Hose-HYD
10	120-0872	1	Hose-HYD
11	3253-3	2	Washer-Lock
12	3234-47	4	Screw-HHF



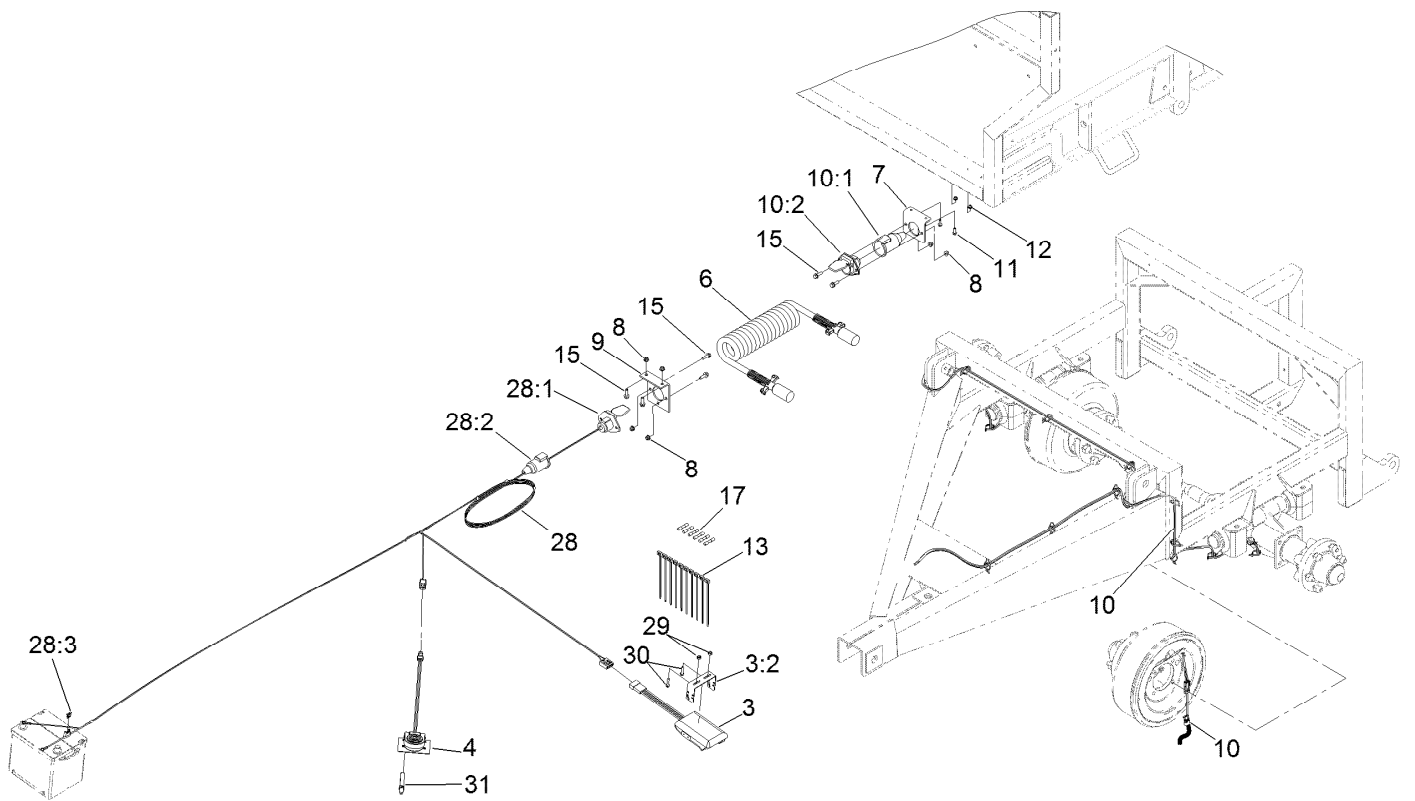
## Wireless Base and Emergency Stop Assembly

<i>Ref.</i>	<i>Part Number</i>	<i>Qty.</i>	<i>Description</i>	<i>Ref.</i>	<i>Part Number</i>	<i>Qty.</i>	<i>Description</i>
1	98-1375	2	Screw-HWH	9	120-0834	2	Screw-HSBH
2	104-7201	6	Nut-HF	10	322-5	2	Screw-HH
3	104-8300	2	Nut-Flange, NI	11	3229-2	2	Screw-CARR
4	119-6906	2	Screw-HSBH	12	T0002-1762	1	Wireless Base Unit
5	119-6909	1	Stop-Emergency	12:1	119-6830	1	Decal-Base Unit
6	120-0976	1	Harness-Wire, Power Lead	13	T36016084	1	Pocket-Control, Wireless
7	120-0926	1	Harness-Wire, Intermediate Power	14	T36054020	1	Bracket-Socket
8	119-6912	1	Harness-Wire Bulkhead	15	3290-378	8	Tie-Cable
				16	3256-14	2	Washer-Flat



## Wireless Remote Mounting Assembly

<i>Ref.</i>	<i>Part Number</i>	<i>Qty.</i>	<i>Description</i>	<i>Ref.</i>	<i>Part Number</i>	<i>Qty.</i>	<i>Description</i>
1	T0002-8707-01	1	Base-Swivel	9	3234-47	2	Screw-HHF
2	T0002-8704-01	1	Plate-Base, Swivel	10	T0002-8729	1	Magnet-Ceramic, Encased
3	T0002-8710-01	1	Plate-Mount, Wireless	11	3256-22	1	Washer-Flat
4	T0002-8712-01	1	Angle-Mount, Wireless	12	321-1	1	Screw-HH
5	T0000-2623	1	Washer-Poly, Ultra High Molecular Weight	13	T0002-9249-01	1	Sleeve-Half
6	T0002-8685-01	1	Mount-Controller	14	T0002-1761	1	Remote-Wireless
7	115-1794	4	Screw-HHF	14:1	119-6837	1	Decal-Wireless Console
8	104-8300	7	Nut-Flange, NI	15	T0002-9252-01	1	Sleeve-Half



## Brake Assembly

Ref.	Part Number	Qty.	Description	Ref.	Part Number	Qty.	Description
3	125-0112	1	Brake Controller	12	104-7201	2	Nut-HF
3:2	125-0114	1	Bracket-Brake Controller	13	3290-378	10	Tie-Cable
4	125-0108	1	Control-Foot,	15	3234-29	6	Screw-HHF
6	T58071132	1	Cable-Coil, 12 Ft.	17	32180-046	6	Splice-Heatshrink Covered
7	120-0892	1	Bracket-Connector	28	122-0075	1	Harness-Wire, Brake, Trailer
8	104-8300	6	Nut-Flange, NI	28:1	32160-322	1	Connector-Trailer, 7M
9	T36016080	1	Bracket-Tractor	28:2	120-0876	1	Boot-Socket
10	120-9438	1	Harness-Wire, Electric	28:3	218-578	1	Fuse-Blade, 10 Amp
10:1	120-0876	1	Boot-Socket	29	3296-2	2	Nut-Lock, NI
10:2	32160-322	1	Connector-Trailer, 7M	30	106-9169	2	Screw-HWH
11	115-5103	2	Screw-HHF	31	2412-42	1	Clamp-Hose

**Notes:**

**Notes:**

**Notes:**



**Count on it.**