



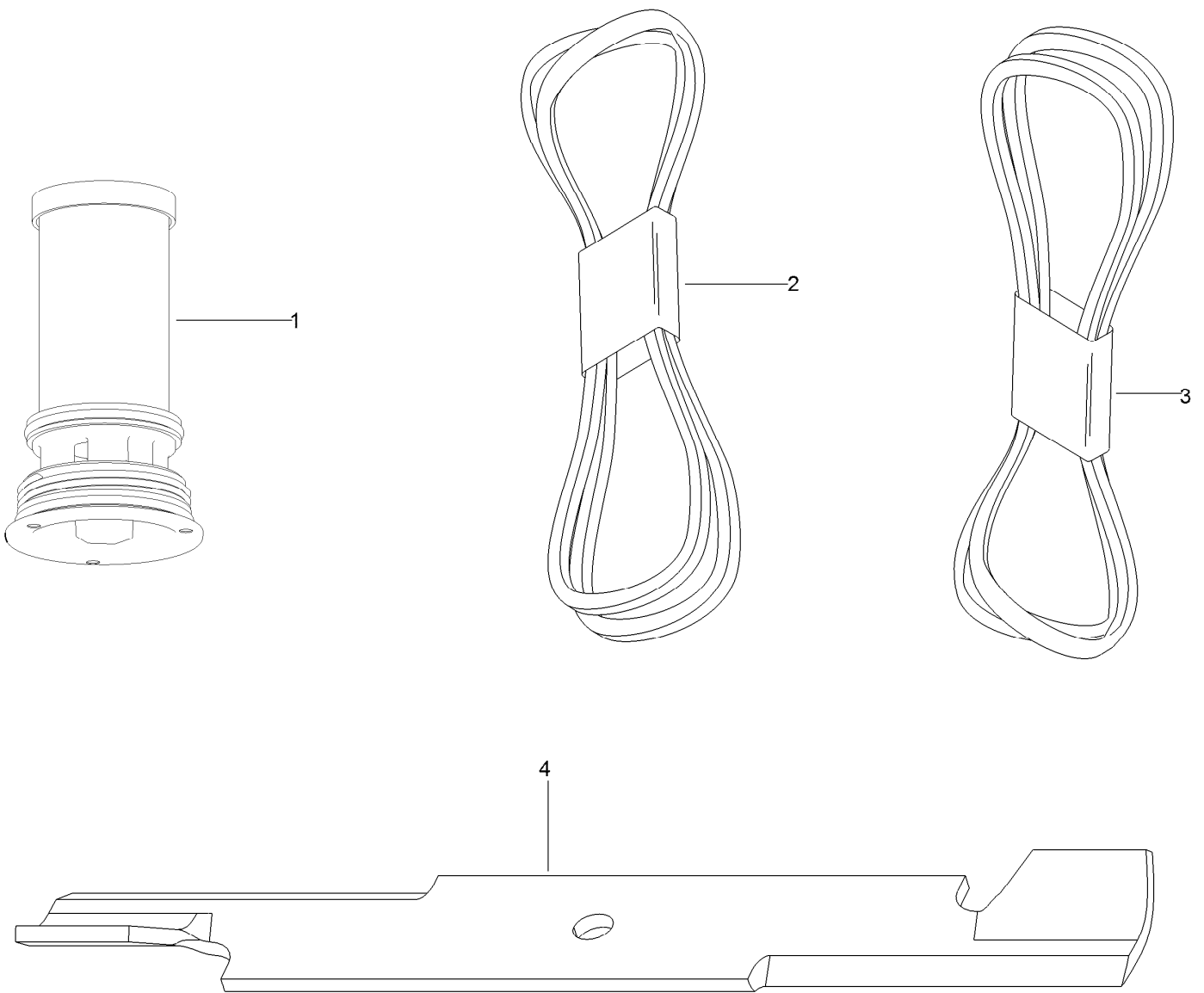
Count on it.

Parts Catalog

**MVP Filter, Belt and Blade Kit
Z Master® Professional 5000/6000 Series
Riding Mower with 52in Deck**

Model No. 127-1638





MVP Filter, Belt and Blade Kit No. 127-1638

<i>Ref.</i>	<i>Part Number</i>	<i>Qty.</i>	<i>Description</i>
1	117-0390	2	Filter-Hydro
2	109-3388	1	Belt
3	115-7426	1	Belt-V
4	105-7781-03	3	Blade-18 Inch, Hi Flow