



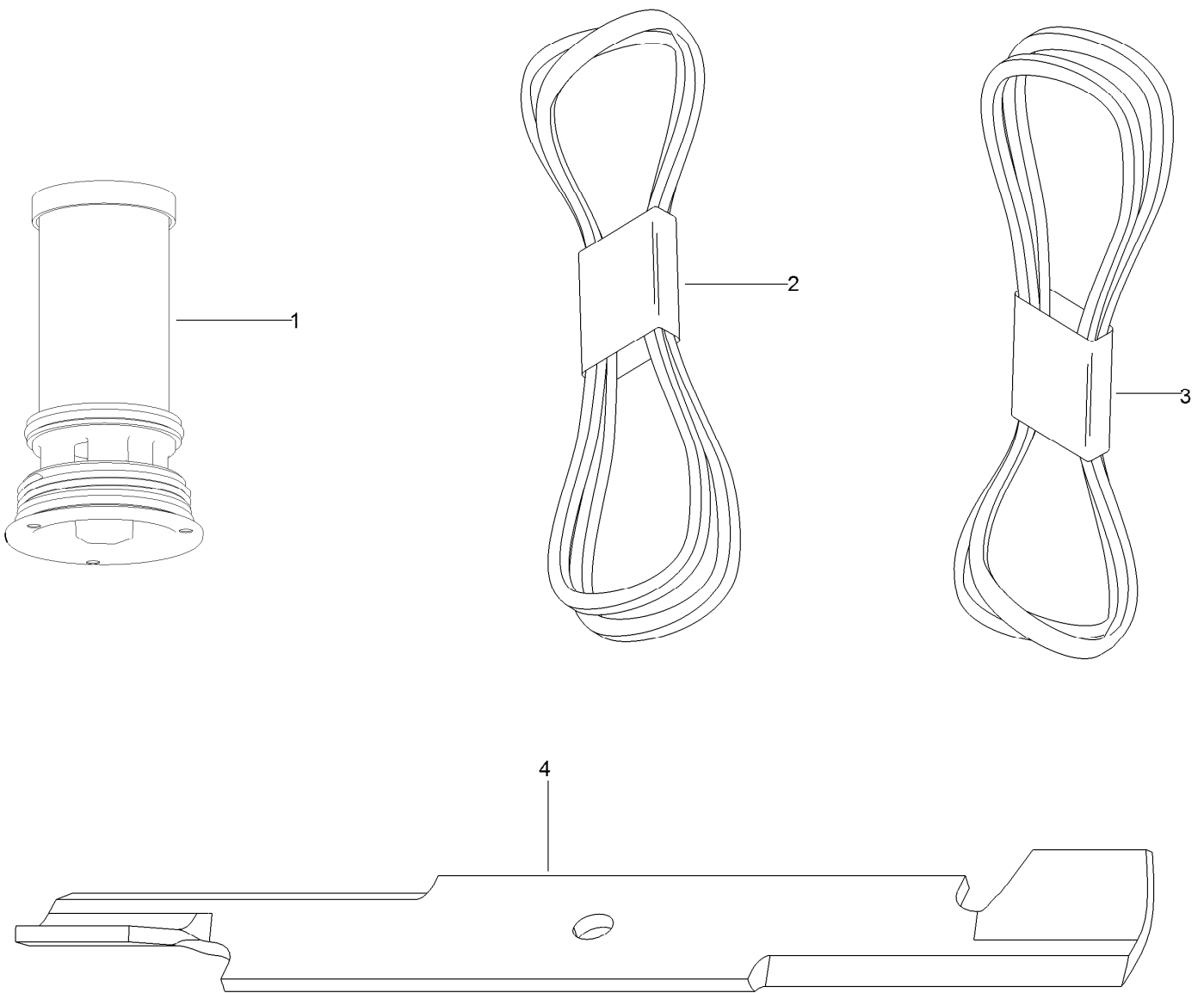
**Count on it.**

**Parts Catalog**

**MVP Filter, Belt and Blade Kit  
Z Master® Commerical 3000 Series Riding  
Mower with 60in Deck**

**Model No. 127-1636**





## MVP Filter, Belt and Blade Kit No. 127-1636

<i>Ref.</i>	<i>Part Number</i>	<i>Qty.</i>	<i>Description</i>
1	117-0390	2	Filter-Hydro
2	116-1953	1	Belt-V
3	114-5858	1	Belt-V
4	105-7718-03	3	Blade-Hi Flow