



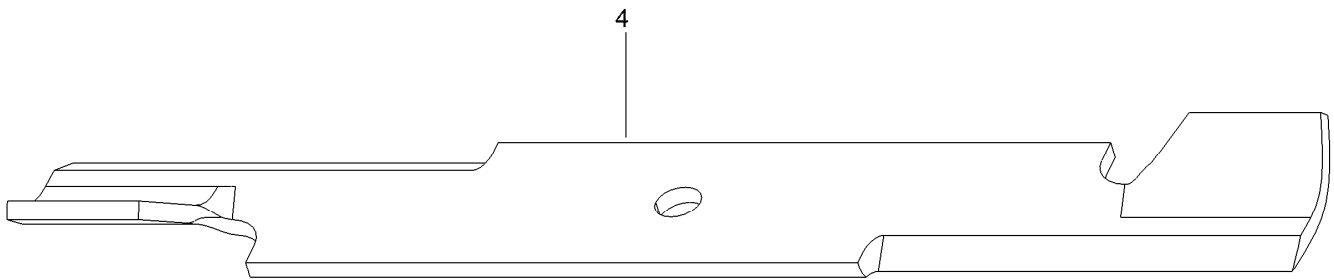
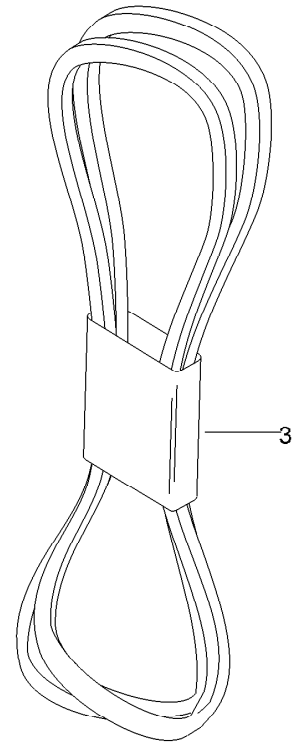
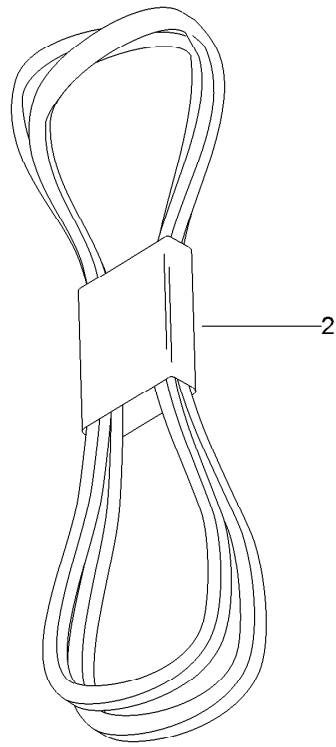
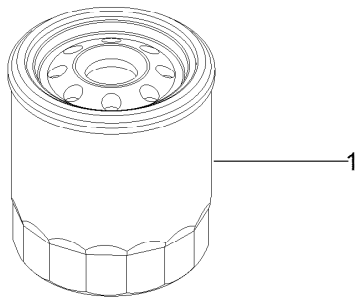
**Count on it.**

**Parts Catalog**

**MVP Filter, Belt and Blade Kit  
Z Master® Commerical 2000 Series Riding  
Mower with 48in Deck**

**Model No. 127-1631**





## MVP Filter, Belt and Blade Kit No. 127-1631

<i>Ref.</i>	<i>Part Number</i>	<i>Qty.</i>	<i>Description</i>
1	109-3321	2	Element-Oil Filter, HYD
2	114860	1	Belt-V
3	119-9926	1	Belt-V
4	117-7277-03	3	Blade-Hi Flo, 16.50In