



# Front Weight Kit

## TITAN Series Riding Mower

Model No. 79033

### Installation Instructions

## Loose Parts

Use the chart below to verify that all parts have been shipped.

Description	Qty.	Use
Weight	2	Install the weight.
Adhesive bumper	2	
Rod	1	
Washer (5/16 inch)	4	
Hairpin cotter pin	2	

## Installing the Weight

### ⚠ CAUTION

The attachment changes the weight distribution of the machine. Operating the machine without the front weights may cause an unstable condition which could result in a loss of control.

Ensure the front weights are properly installed before operating the machine with the attachment.

- For machines with a mower housing pan, remove the 2 nuts and bolts that secure the front of the mower housing pan to the machine (Figure 1). Ensure the pan is installed once the weights are secured.

**Note:** Save the nuts and bolts to secure the front of the mower housing pan later.

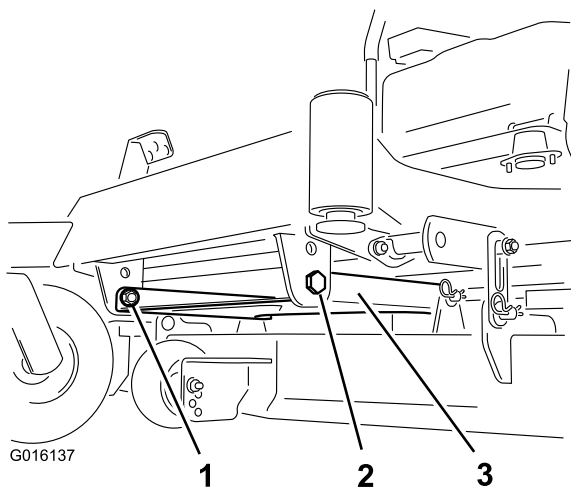


Figure 1

- Nut
- Bolt
- Mower housing pan

- Install an adhesive bumper to the weight (Figure 2).

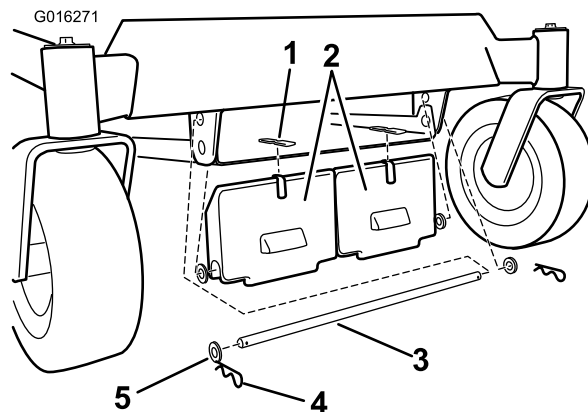


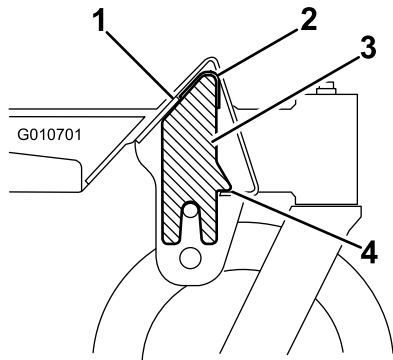
Figure 2

- Adhesive bumper
- Front weight
- Rod
- Hair pin
- Washer

- Install the weights to the front of the machine frame. Secure the weights with a rod, four washers, and two hairpins as shown in Figure 2.



**Note:** When installing the front weight allow it to rest on the front lip of the underside of the machine frame as shown Figure 3. This will suspend the weight while you secure it to the machine. Use care not to dislodge the weight when installing the supporting rod.



**Figure 3**

- |  |  |
|--|--|
| 1. Cutaway of the front of the machine frame | 3. Weight                              |
| 2. Bumper                                    | 4. Rest the weight here during install |

---

**Important:** Whenever you remove the attachment, remember to remove the front weight to return the proper stability to the machine.

4. For machines with a mower housing pan, install the mower housing pan to the machine (Figure 1).