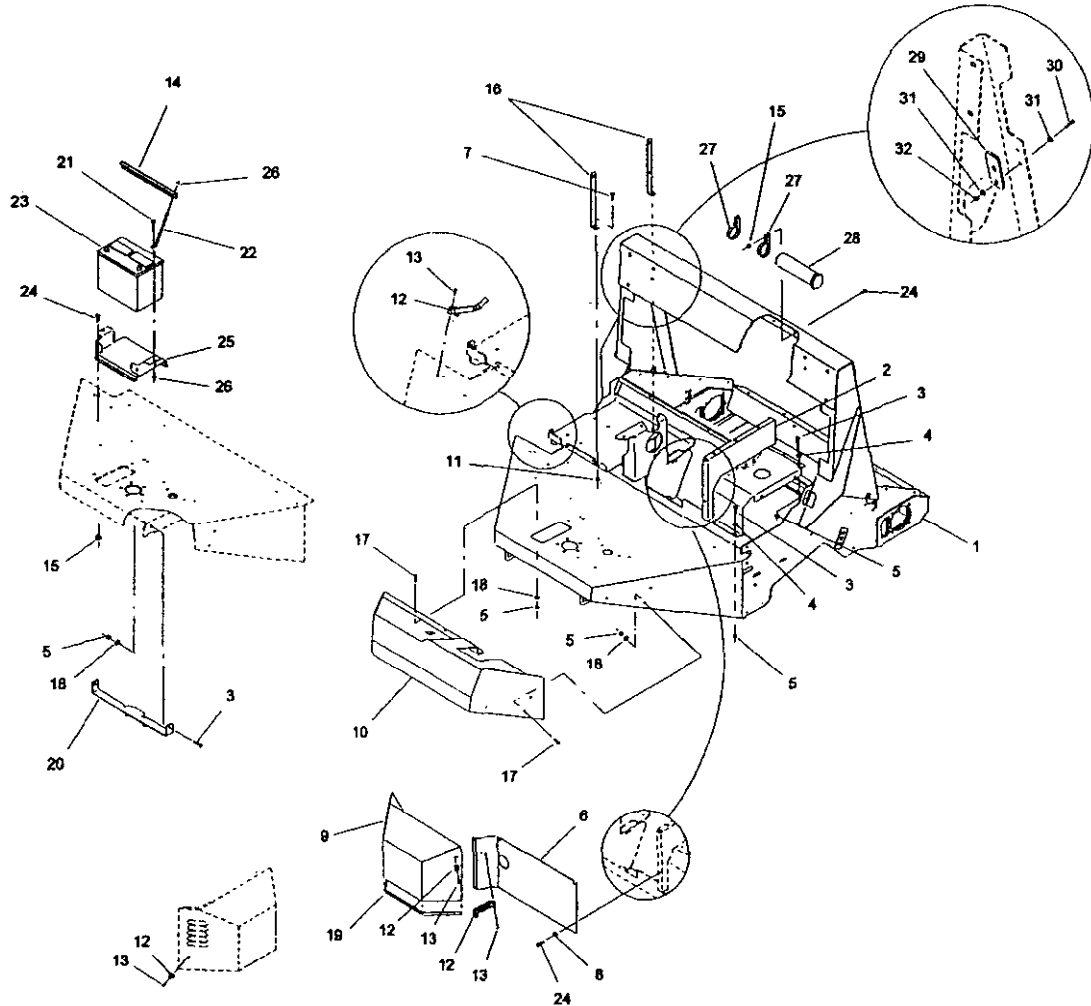




MODEL NO. 44044 - 70001 & UP

**PARTS CATALOG**

**TURF SWEEPER 4800**

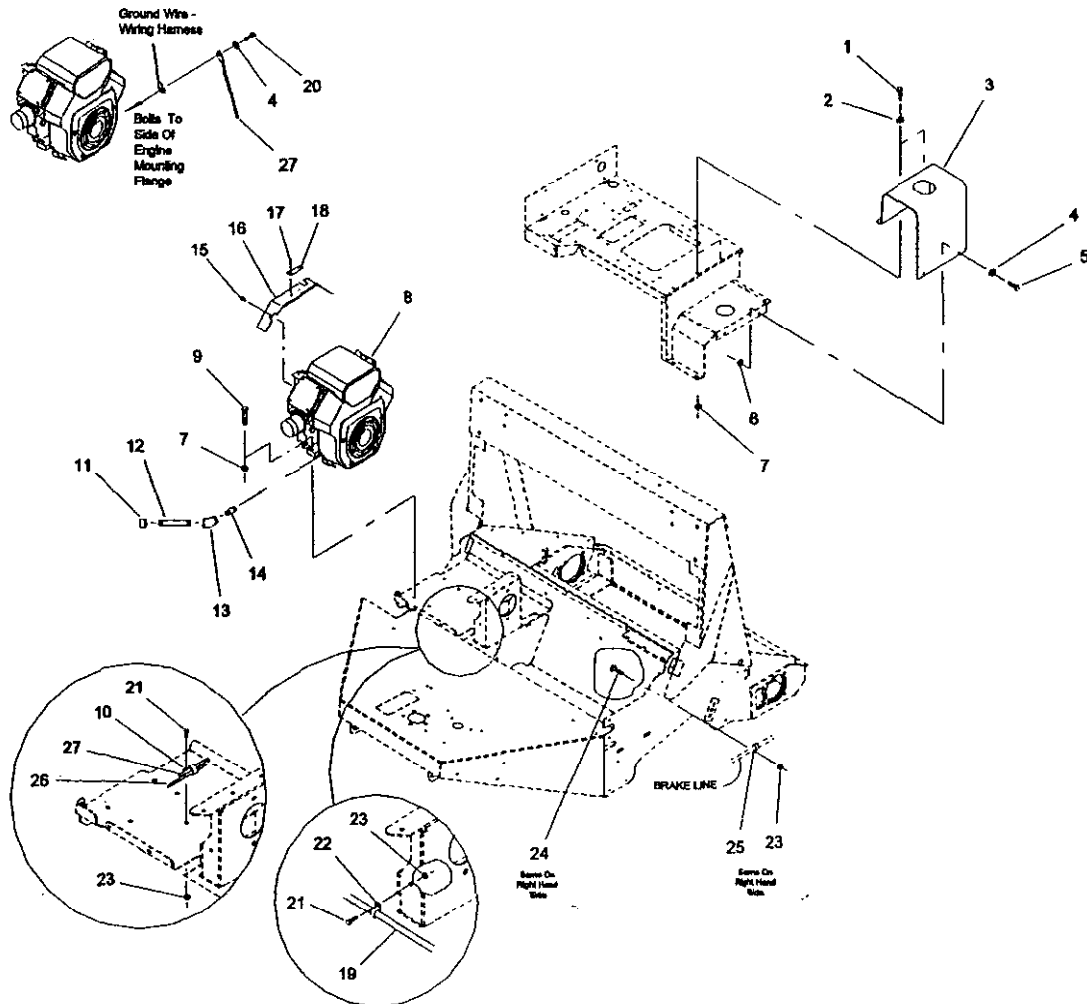


**MAIN FRAME ASSEMBLY**

44044-1

Ref. No.	Part No.	Description	No. Used
1	95-0170	Main Frame WA	1
2	95-0395	Access Cover Mount WA	1
3	322-5	Capscrew - Hex Hd.	7
4	3256-23	Washer - SAE	5
5	32128-20	Nut - Flange Lock	17
6	95-0165	Plate-Seal Front	1
7	323-4	Capscrew - Hex Hd.	2
8	3256-22	Washer - SAE	3
9	95-4855	Guard - Hydrostat	1
10	95-4717	Floor Board Riser WA	1
11	32128-43	Nut - Flange Lock	2
12	95-4770	Latch - Draw, Flexible	2
13	3269-34	Rivet - Pop	6
14	24-6420	Battery Hold Down	1
15	32128-33	Nut - Flange Lock	6
16	95-4709	Bar - Support, Access Cover	2

Ref. No.	Part No.	Description	No. Used
17	3230-2	Bolt - Carriage	10
18	3256-3	Washer - Flat	12
19	95-4833	Edging - Rubber	1
20	95-4761	Stop - Steering	1
21	322-3	Capscrew - Hex Hd.	2
22	24-6390	Battery Hold Down Stud	2
23	55-7290	Battery - Dry	1
24	321-4	Capscrew - Hex Hd.	7
25	95-0172	Mount - Battery	1
26	3296-29	Nut - Lock	4
27	2412-133	R-Clamp	2
28	74-0720	Manual Tube	1
29	95-4784	Plate - Stop, Linkage	1
30	323-7	Capscrew - Hex Hd.	2
31	3256-4	Washer - Flat	4
32	3296-39	Nut - Lock	2



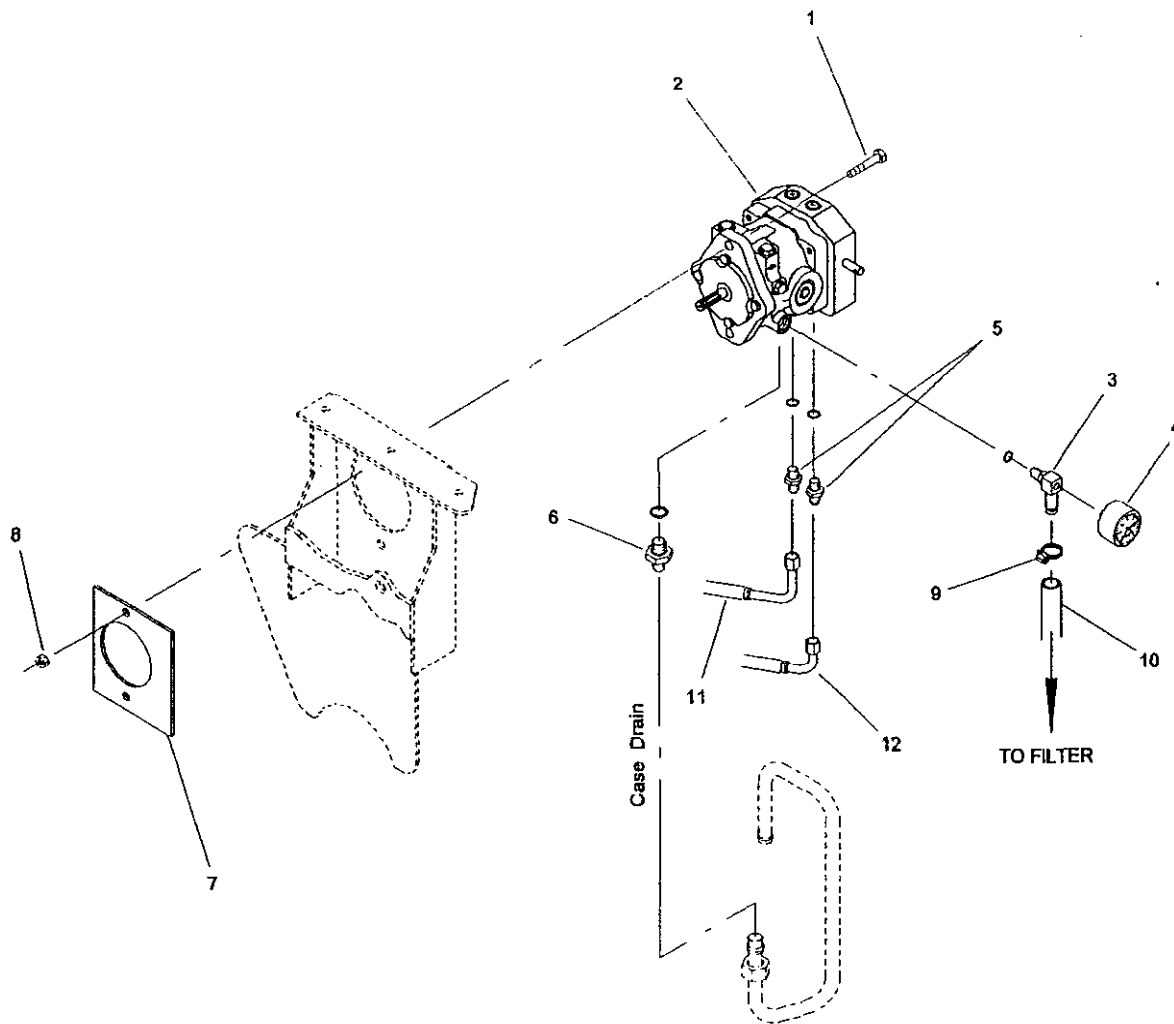
## ENGINE MOUNTING

44044-2

Ref. No.	Part No.	Description	No. Used
1	323-6	Capscrew - Hex Hd.	2
2	3256-24	Washer - SAE	2
3	95-4850	Cover - Tank, Gas	1
4	3256-23	Washer - SAE	3
5	322-3	Capscrew - Hex Hd.	2
6	32128-20	Nut - Flange Lock	2
7	32128-43	Nut - Flange Lock	6
8	95-0175	Engine Assy - Kohler, 18hp	1
*	95-4797	Exhaust - Outlet, 90	1
*	2112-11	Clamp - Muffler	1
9	323-9	Capscrew - Hex Hd.	4
10	2412-105	R-Clamp	1
11	288-10	Pipe Cap	1
12	289-48	Pipe	1
13	95-4824	Fitting, 45	1

Ref. No.	Part No.	Description	No. Used
14	01-456-0050	Stub	1
15	33103-012	Screw - Flange, Hex Hd.	2
16	95-4856	Guard - Heat (Incl. #17,18)	1
17	3269-32	Rivet - Pop	2
18	80-9350	Plate - Hot Surface	1
19	95-4801	Fuel Line	1
20	33104-020	Screw - Flange, Hex Hd.	1
21	321-4	Capscrew - Hex Hd.	2
22	2412-73	R-Clamp	1
23	32128-33	Nut - Flange Lock	3
24	3229-1	Bolt - Carriage	2
25	2412-89	R-Clamp	2
26	95-4827	Cable - Pos.	1
27	95-4828	Cable - Neg.	1

\* Not Illustrated

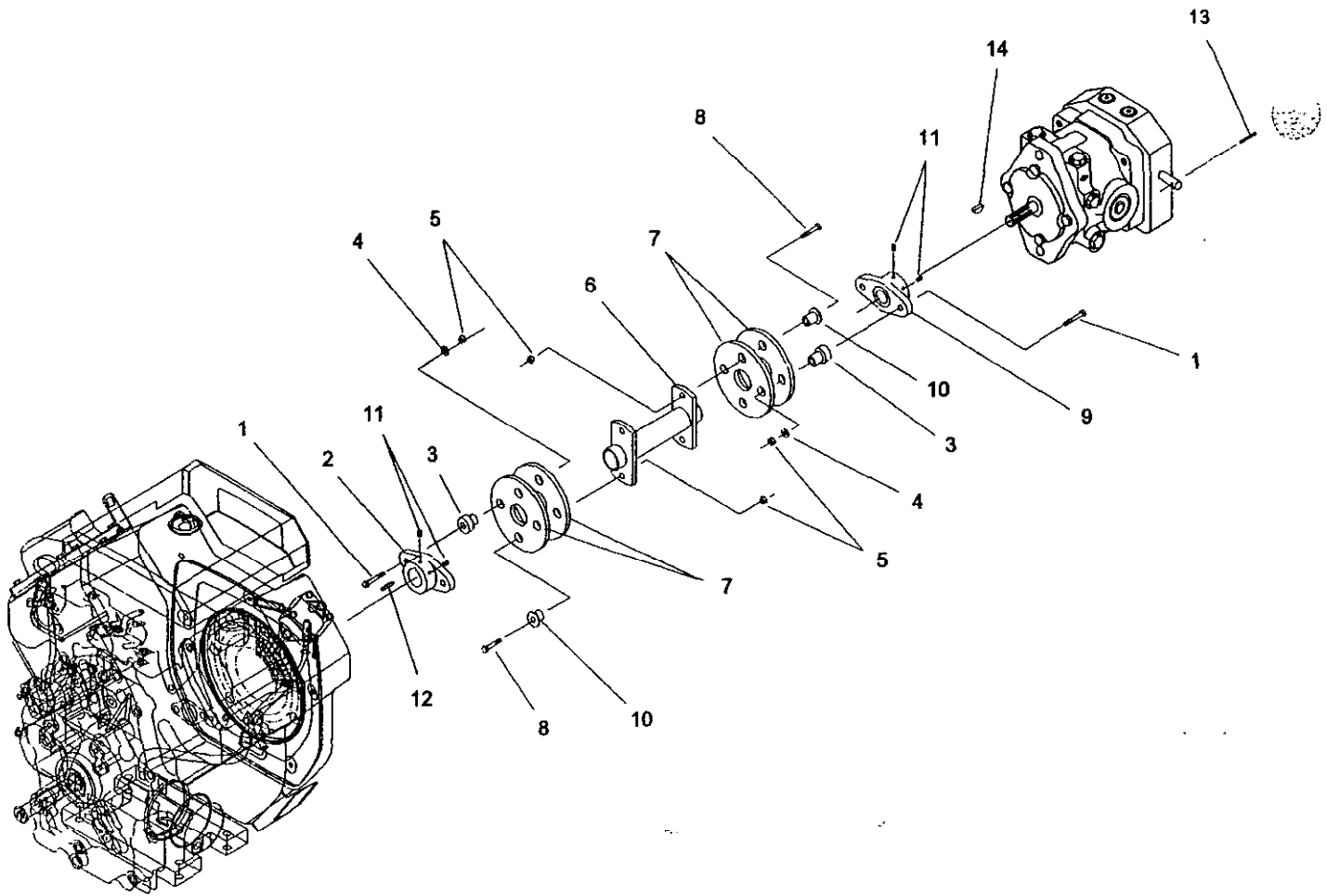


## PUMP ASSEMBLY

44044-18

Ref. No.	Part No.	Description	No. Used
1	3274-5	Screw - Hex Socket Hd.	2
2	95-0156	Pump - Variable, Sundstrand	1
3	95-4778	Fitting - Hydraulic, Barb	1
4	95-0334	Gauge - Vacuum	1
5	01-201-3380	Fitting - Flat Face O-ring	2
6	01-201-4680	Fitting - Hydraulic	1

Ref. No.	Part No.	Description	No. Used
7	92-4679	Plate - Hydrostat, Reinf.	1
8	3296-23	Nut - Lock	2
9	2412-34	Clamp - Hose	1
10	95-4775	Hose - Hydraulic	1
11	95-4754	Hose - Hydraulic	1
12	95-4755	Hose - Hydraulic	1

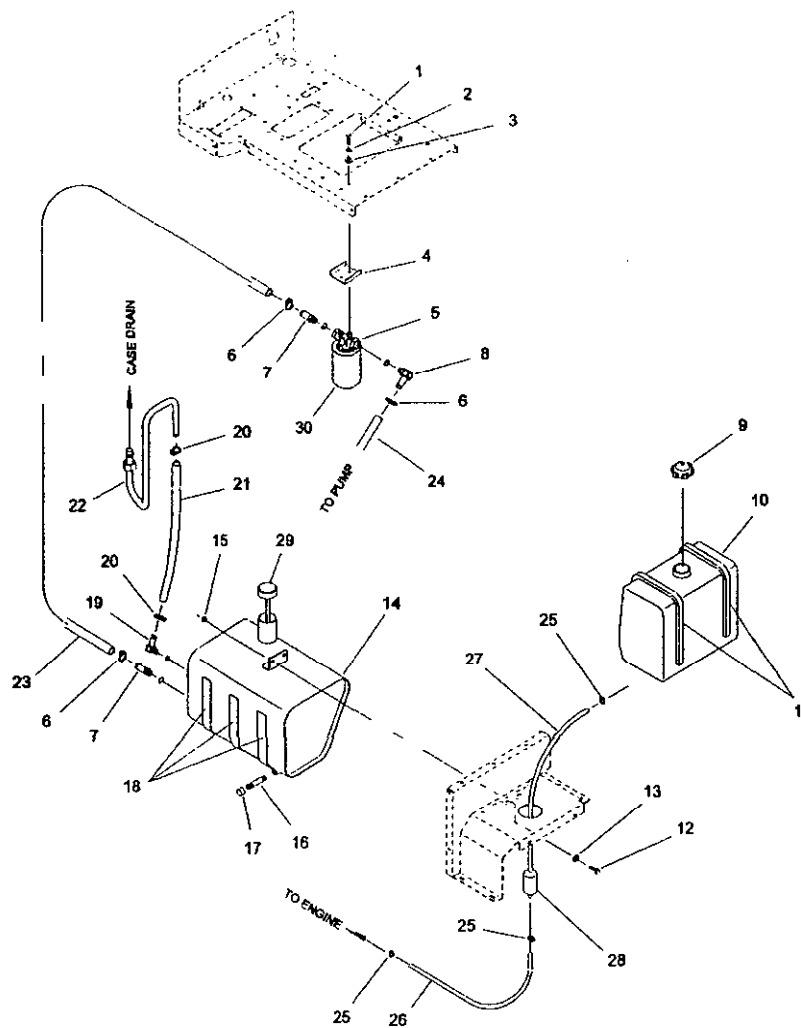


## DRIVE SHAFT - PUMP

44044-4

Ref. No.	Part No.	Description	No. Used
1	322-10	Capscrew - Hex Hd.	4
2	27-1960	Hub - Engine	1
3	71-4410	Spacer, thick	4
4	3256-23	Washer - SAE	4
5	3296-29	Nut - Lock	8
6	71-4400	Driveshaft WA	1
7	44-2230	Coupling - Rubber	4

Ref. No.	Part No.	Description	No. Used
8	322-7	Capscrew - Hex Hd.	4
9	33-4380	Hub - Pump	1
10	71-4411	Spacer, thin	4
11	3241-5	Setscrew	4
12	5-4916	Key	1
13	32121-6	Pin - Roll	1
14	3257-32	Key - Woodruff	1

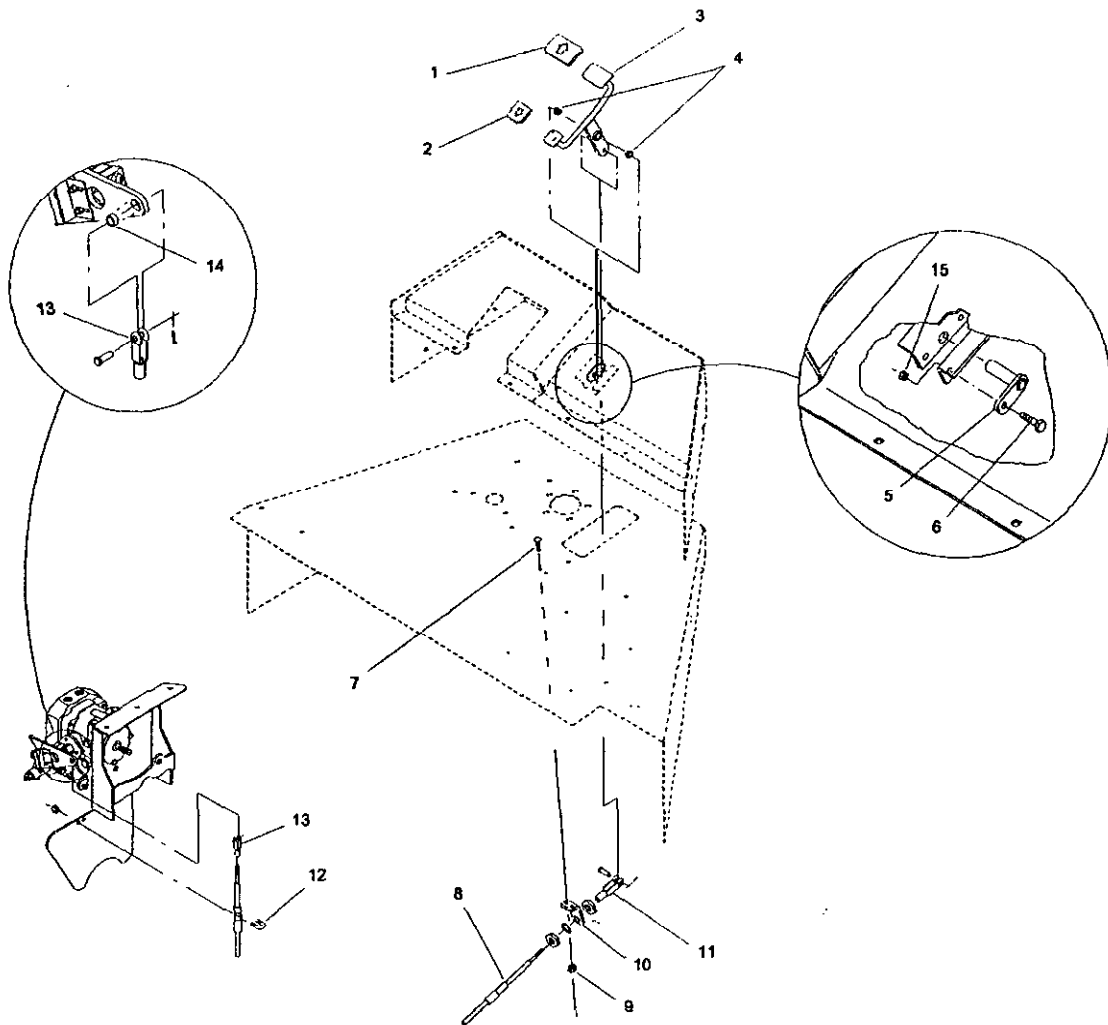


## HYDRAULIC RESERVOIR & FUEL TANK

44044-17

Ref. No.	Part No.	Description	No. Used
1	321-9	Capscrew - Hex Hd.	2
2	3253-3	Washer - Lock	2
3	3256-2	Washer - Flat	2
4	95-0267	Mount - Oil Filter	1
5	95-0281	Filter Head	1
6	2412-34	Clamp - Hose	3
7	354-73	Fitting - Hydraulic, Barb	2
8	01-201-1080	Fitting - Hydraulic, Barb	1
9	95-4766	Fuel Cap Ass'y	1
10	62-4040	Fuel Tank	1
11	95-4789	Sponge - Neoprene	2
12	323-6	Capscrew - Hex Hd.	2
13	3256-24	Washer - SAE	2
14	95-0013	Tank - Hydraulic	1
15	3296-22	Nut - Lock	2
16	289-51	Nipple - Pipe	1

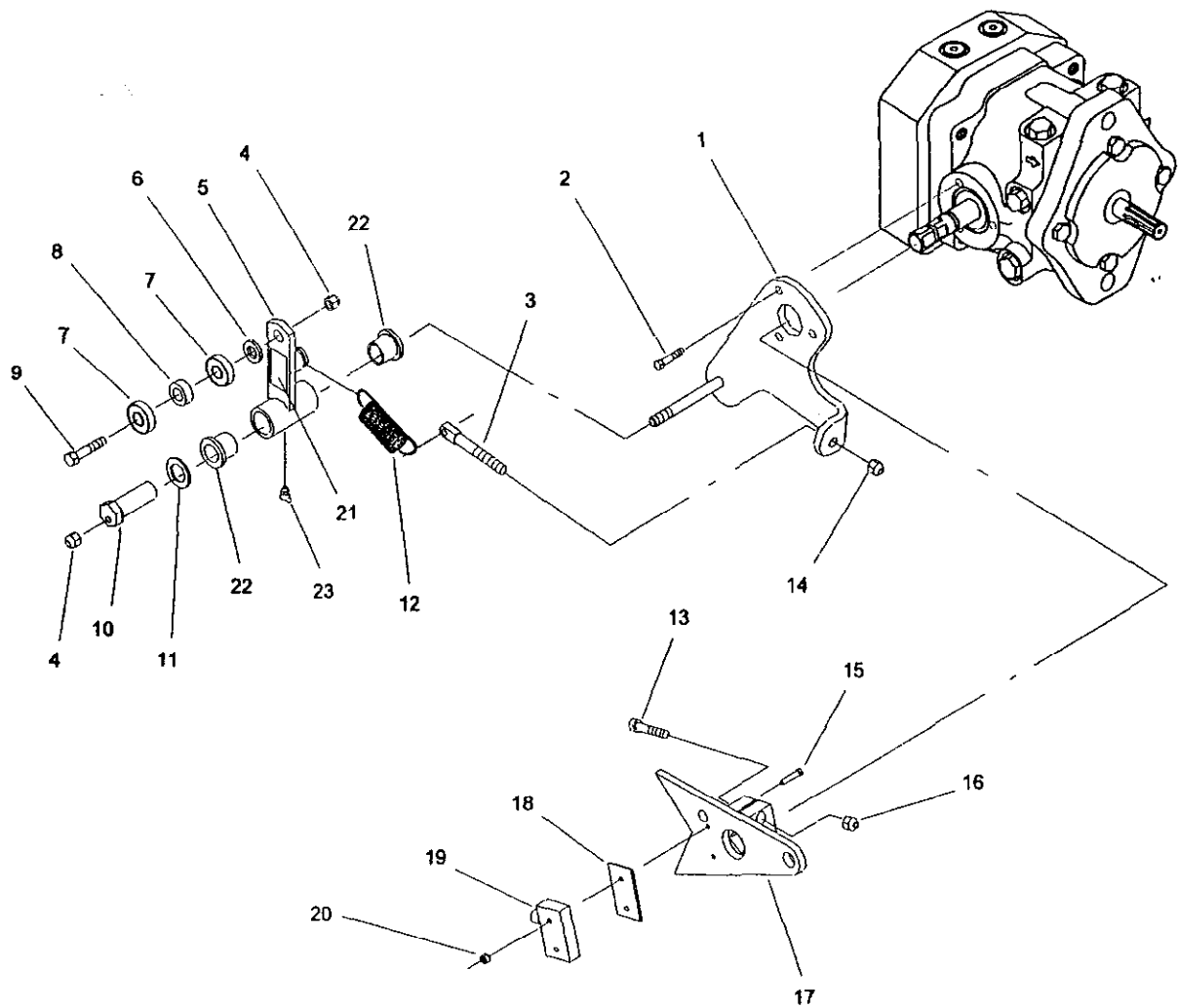
Ref. No.	Part No.	Description	No. Used
17	288-10	Pipe Cap	1
18	18-204-1781	Isolator - Rubber	3
19	95-4779	Fitting - Hydraulic	1
20	2412-129	Clamp - Hose	2
21	95-4777	Hose - Hydraulic	1
22	95-4774	Tube - Drain, Case	1
23	95-4776	Hose - Hydraulic	1
24	95-4775	Hose - Hydraulic	1
25	2412-108	Clamp - Hose	3
26	95-4801	Hose - Fuel	1
27	95-4860	Hose - Fuel	1
28	(Kohler Part # 24-050-02)	Filter - Fuel	1
29	95-4859	Cap - Hydraulic (Incl. w/#14)	1
30	23-9740	Cartridge - Oil Filter	1
*	95-4818	Filter Head Asm (Incl. #5,30)	1



## TRACTION CONTROL

44044-20

Ref. No.	Part No.	Description	No. Used	Ref. No.	Part No.	Description	No. Used
1	74-9100	Pad - Forward	1	9	32128-33	Nut - Flange Lock	2
2	74-9110	Pad - Reverse	1	10	92-4676	Mount - Cable	1
3	95-4708	Traction Pedal WA	1	11	95-4727	Clevis - Pedal, Traction	1
4	256-156	Bushing - Flange	2	12	95-4731	U-Bolt	1
5	95-4808	Traction Pin WA	1	13	95-4728	Clevis	1
6	321-4	Capscrew - Hex Hd.	1	14	95-4721	Bushing - Straight	1
7	3229-2	Bolt - Carriage	2	15	3296-42	Nut - Lock	1
8	92-4699	Cable - Traction	1				

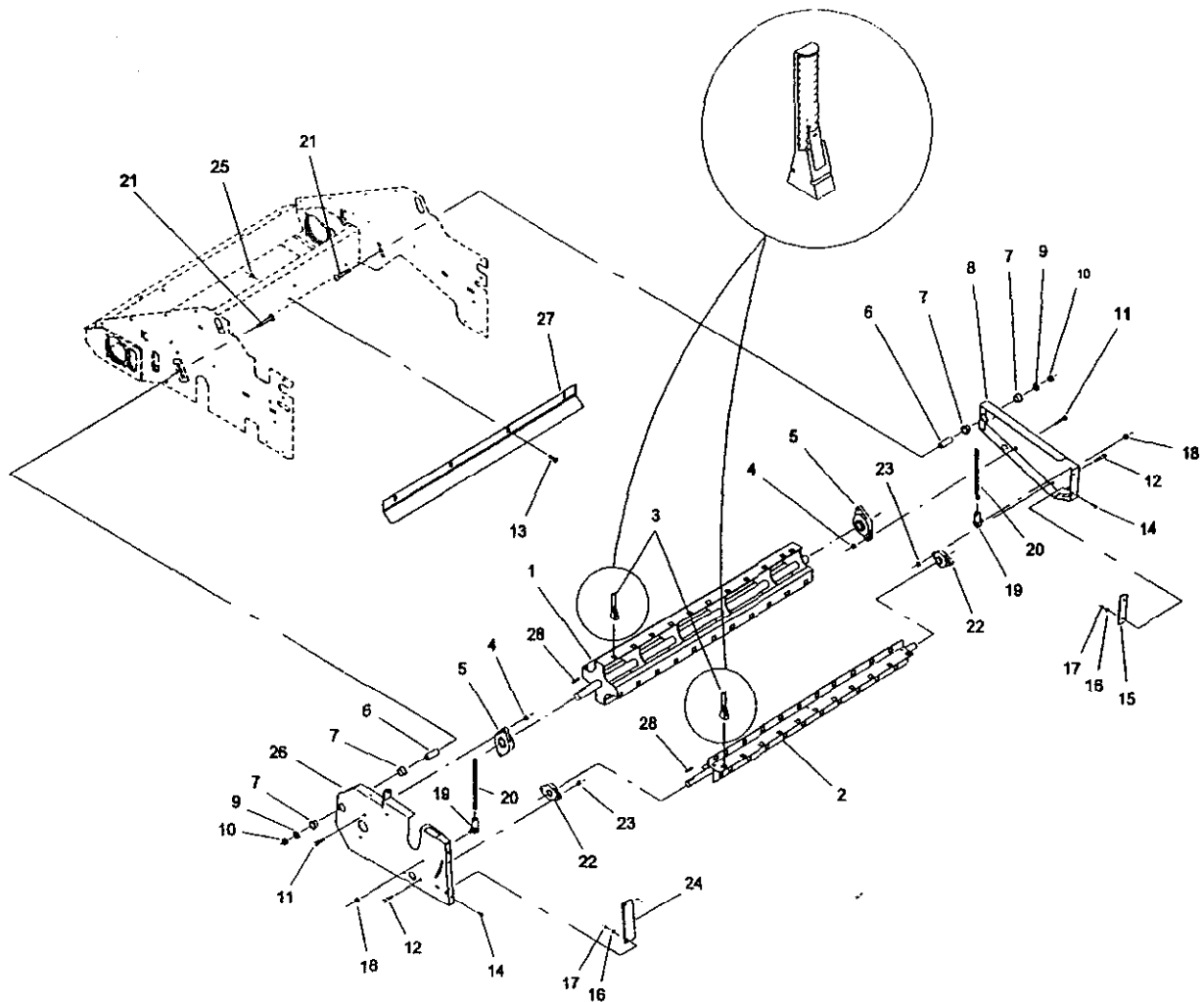


## NEUTRAL RETURN ASSEMBLY

44044-7

Ref. No.	Part No.	Description	No. Used
1	95-0347	Neutral Plate WA	1
2	49-2040	Screw - Flange Hex Hd.	3
3	18-6380	Pin - Adjusting	1
4	3296-29	Nut - Lock	2
5	85-8460	Switch Arm Assembly (Incl. #22,23)	1
	85-8461	Switch Arm WA (w/o #22,23)	1
6	75-5470	Spacer	1
7	251-259	Bearing	2
8	85-9120	Spacer	1
9	322-8	Capscrew - Hex Hd.	1
10	76-8640	Stud - Traction	1
11	3-6498	Washer - Thrust	1

Ref. No.	Part No.	Description	No. Used
12	85-9030	Spring - Extension	1
13	323-10	Capscrew - Hex Hd.	1
14	3296-4	Nut - Lock	1
15	32105-21	Screw - Machine	2
16	3296-39	Nut - Lock	1
17	85-8300	Lever - Pump	1
18	85-9150	Plate - Switch	1
19	29-6163	Switch - Neutral	1
20	3296-9	Nut - Lock	2
21	85-8860	Decal - Eccentric Bolt	1
22	256-113	Bushing - Flange	2
23	302-60	Fitting - Grease	1



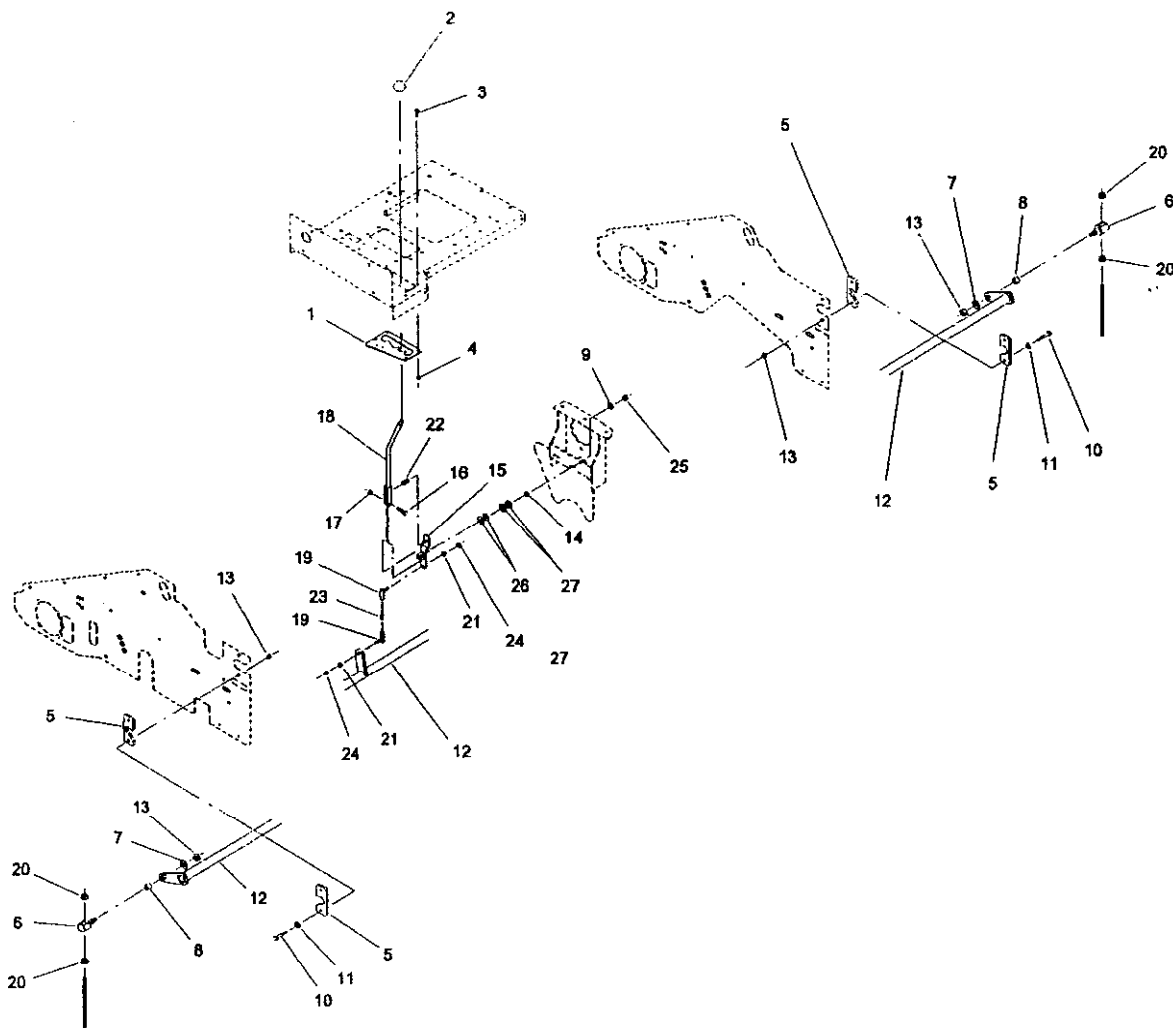
## REEL ASSEMBLY

44044-3

Ref. No.	Part No.	Description	No. Used
1	95-0217	Rear Reel WA	1
2	95-0215	Front Reel WA	1
3	01-279-0010	Rubber Fingers	88
4	3296-23	Nut - Lock	4
5	01-100-0170	Bearing - Flange Block	2
6	95-4768	Sleeve - Tube, Pivot	2
7	256-132	Bearing - Flange	4
8	95-4852	Reel Plate WA, LH	1
9	3256-7	Washer - Flat	2
10	3296-77	Nut - Lock	2
11	325-6	Capscrew - Hex Hd.	4
12	324-5	Capscrew - Hex Hd.	4
13	3231-2	Bolt - Carriage	4
14	3229-1	Bolt - Carriage	4

Ref. No.	Part No.	Description	No. Used
15	95-0176	Slide	1
16	3256-22	Washer - SAE	4
17	3296-42	Nut - Lock	4
18	3296-28	Nut - Lock	2
19	95-4821	Rod End	2
20	95-4822	All Thread	2
21	3233-33	Bolt - Carriage	2
22	01-100-0160	Bearing - Flange Block	2
23	3296-48	Nut - Lock	4
24	95-0319	Slide - Reel Plate, RH	1
25	3296-39	Nut - Lock	4
26	95-4851	Reel Plate Ass'y, RH	1
27	95-0341	Deflector - Air	1
28	5-4916	Key	2



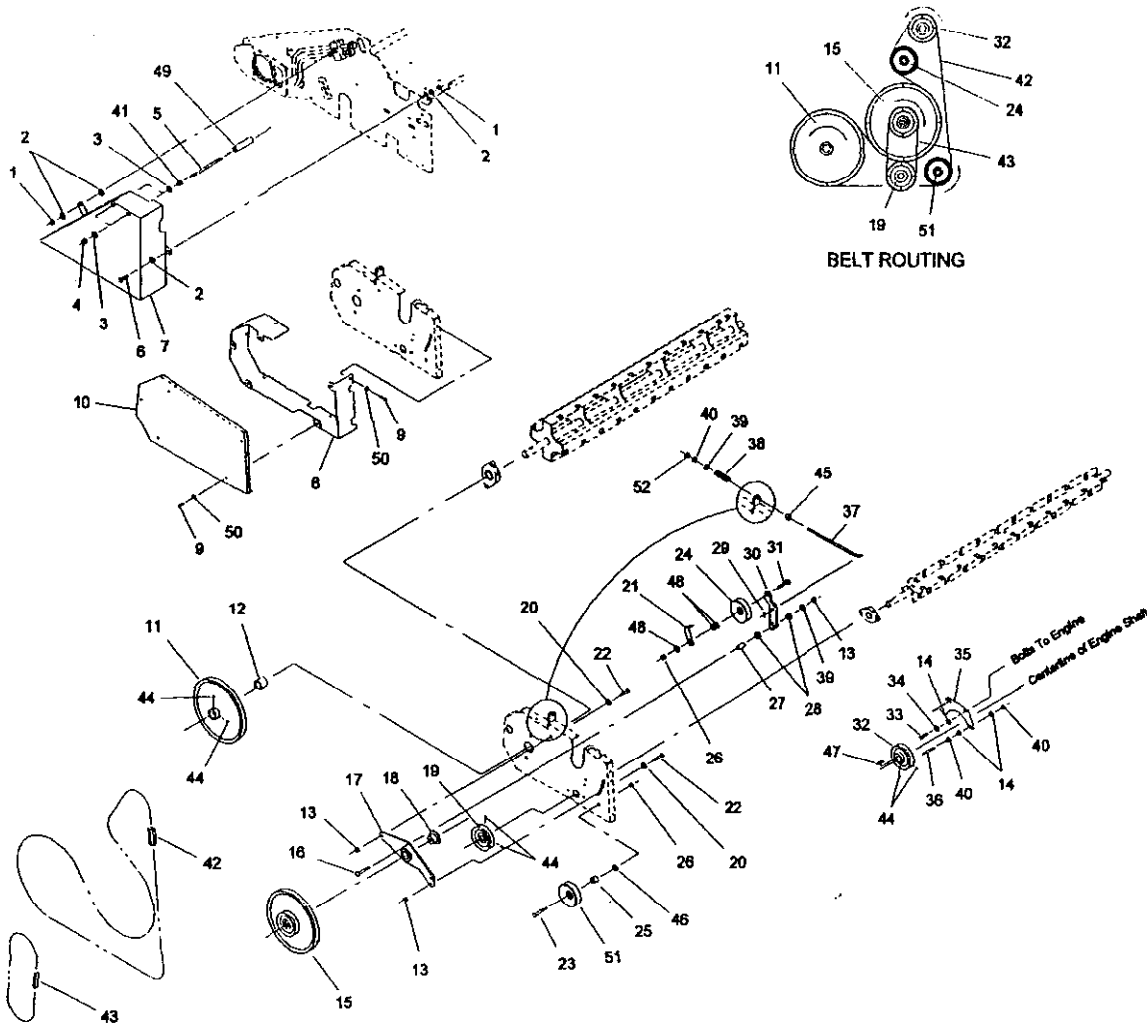


## REEL LIFT

44044-6

Ref. No.	Part No.	Description	No. Used
1	95-4752	Reel Gate Ass'y	1
2	233-48	Knob	1
3	3229-1	Bolt - Carriage	4
4	32128-33	Nut - Flange Lock	4
5	95-0272	Bushing - UHMW	4
6	92-2344	Trunion	2
7	3256-4	Washer - Flat	2
8	95-4782	Bushing	2
9	95-4845	Washer - 10ga.	1
10	323-8	Capscrew - Hex Hd.	4
11	3256-24	Washer - SAE	4
12	95-0179	Reel Lift Rod WA	1
13	3296-39	Nut - Lock	6
14	256-156	Bushing - Flange	1

Ref. No.	Part No.	Description	No. Used
15	95-0385	Pivot - Lift, Lever	1
16	325-5	Capscrew - Hex Hd.	1
17	3296-45	Nut - Lock	1
18	95-4702	Reel Lift Handle WA	1
19	01-250-0040	Rod End	2
20	3219-5	Nut - Hex	4
21	3253-5	Washer - Lock	2
22	01-261-0330	Spring Danty Steel	1
23	01-650-1100	All Thread - Fine	1
24	3220-3	Nut - Jam	2
25	32128-21	Nut - Flange Lock	1
26	95-4844	Washer - Spring Steel	2
27	01-168-1218	Bushing - Machinery	2

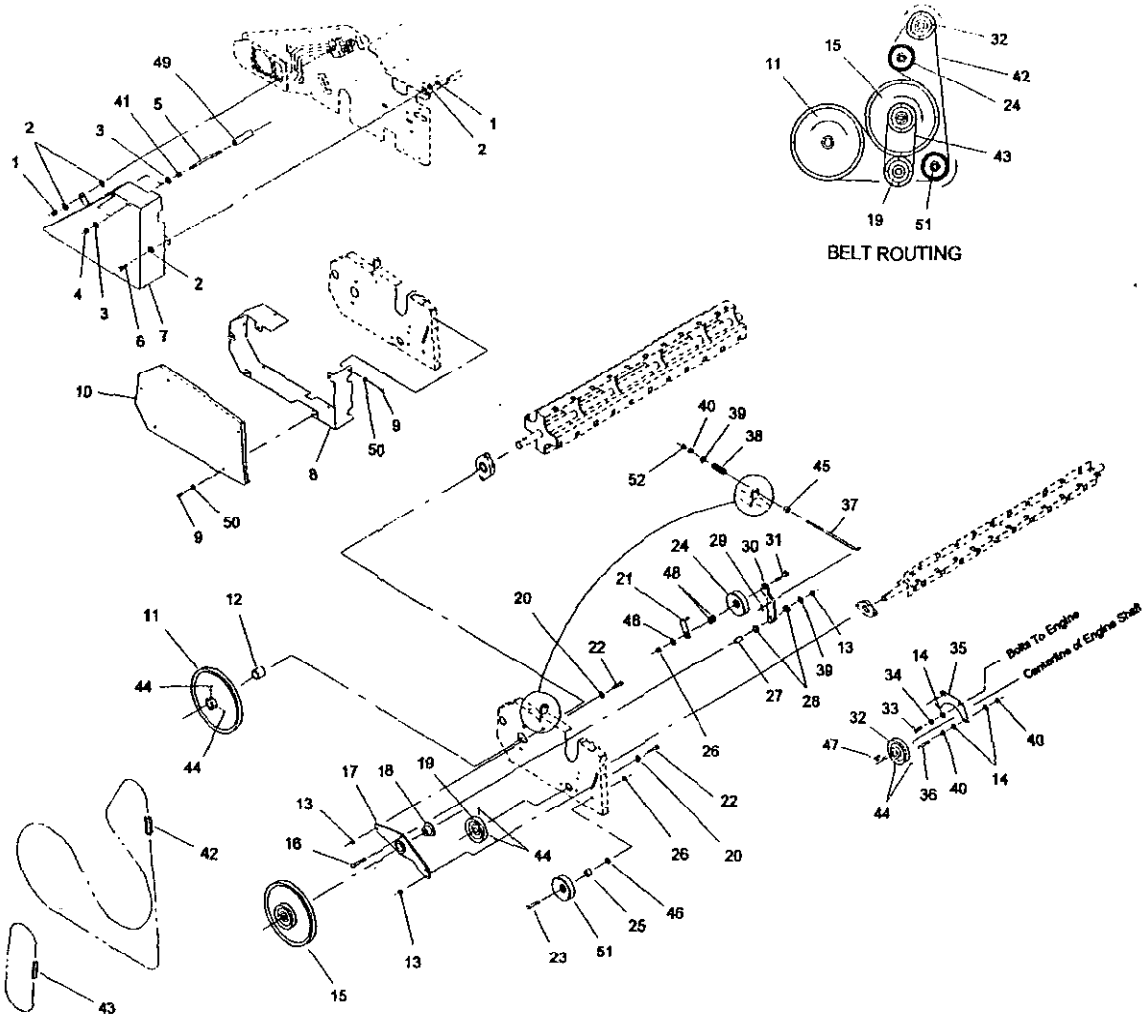


## BELT DRIVE

44044-5

Ref. No.	Part No.	Description	No. Used
1	3296-29	Nut - Lock	2
2	3256-23	Washer - SAE	3
3	3256-5	Washer - SAE	4
4	3296-48	Nut - Lock	2
5	95-4800	All Thread	2
6	322-3	Capscrew - Hex Hd.	1
7	95-4854	Guard - Belt	1
8	95-4773	Belt - Retainer Assy	1
9	321-4	Capscrew - Hex Hd.	10
10	95-4853	Guard - Belt, Lower	1
11	95-0212	Pulley	1
12	95-0214	Spacer	1
13	3296-22	Nut - Lock	3
14	3256-24	Washer - SAE	4
15	95-0302	Pulley	1
16	3231-8	Bolt - Carriage	1
17	95-0309	Adjustment Arm WA	1
18	95-0301	Bushing - Lock, Taper	1
•	321-4	Capscrew - Hex Hd. (Incl. w /#18)	2
19	95-0299	Pulley	1
20	3256-26	Washer - SAE	2
21	95-4817	Guide - Belt	1
22	3231-28	Bolt - Carriage	2
23	327-8	Capscrew - Hex Hd.	1

Ref. No.	Part No.	Description	No. Used
24	95-0303	Pulley	1
25	95-0209	Spacer	1
26	3296-53	Nut - Lock	2
27	95-0311	Tube - Fivot, Idler	1
28	256-247	Bushing	2
29	3272-10	Pin - Cotter	1
30	95-0332	Idler Arm WA	1
•	302-60	Fitting - Grease (Incl. w /#30)	1
31	327-7	Capscrew - Hex Hd.	1
32	95-0210	Pulley	1
33	323-6	Capscrew - Hex Hd.	2
34	3253-5	Washer - Lock	2
35	95-0337	Stop - Belt	1
36	95-0367	Pin - Stop, Belt	1
37	95-0321	Rod - Spring	1
38	95-4825	Spring - Idler	1
39	3256-4	Washer - Flat	2
40	3217-7	Nut - Hex	3
41	3217-8	Nut - Hex	2
42	95-0350	Belt	1
43	95-0351	Belt	1
44	01-163-0030	Screw - Set	6
45	01-172-0030	Collar - Lock	1
46	01-168-1014	Bushing - Machinery	1

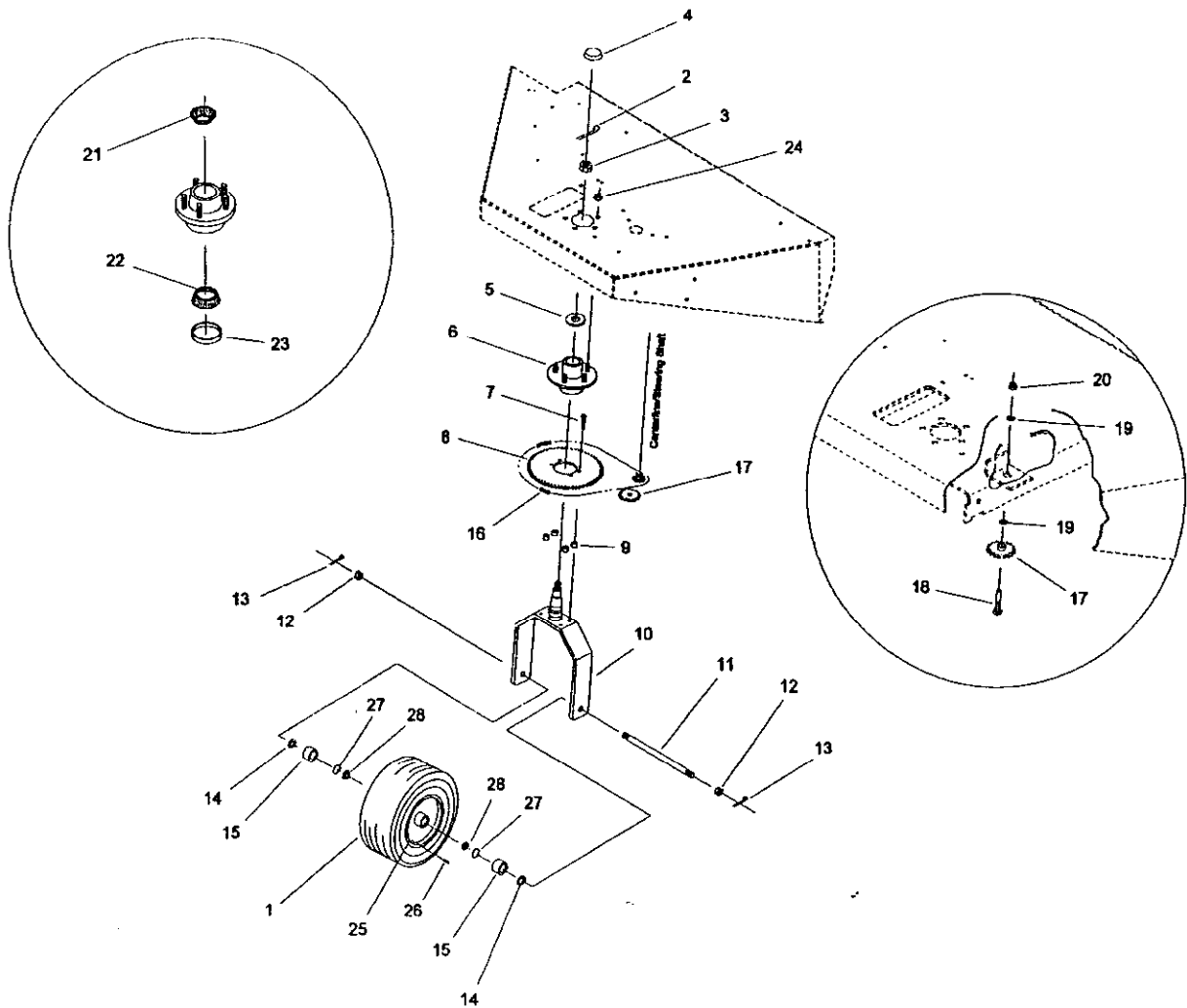


### BELT DRIVE (Continued)

44044-5

Ref. No.	Part No.	Description	No. Used
47	5-4916	Key	1
48	3256-29	Washer - SAE	3
49	95-4799	Spacer - Guard	2

Ref. No.	Part No.	Description	No. Used
50	3256-22	Washer - SAE	10
51	95-4848	Pulley	1
52	3218-3	Nut - Jam	1



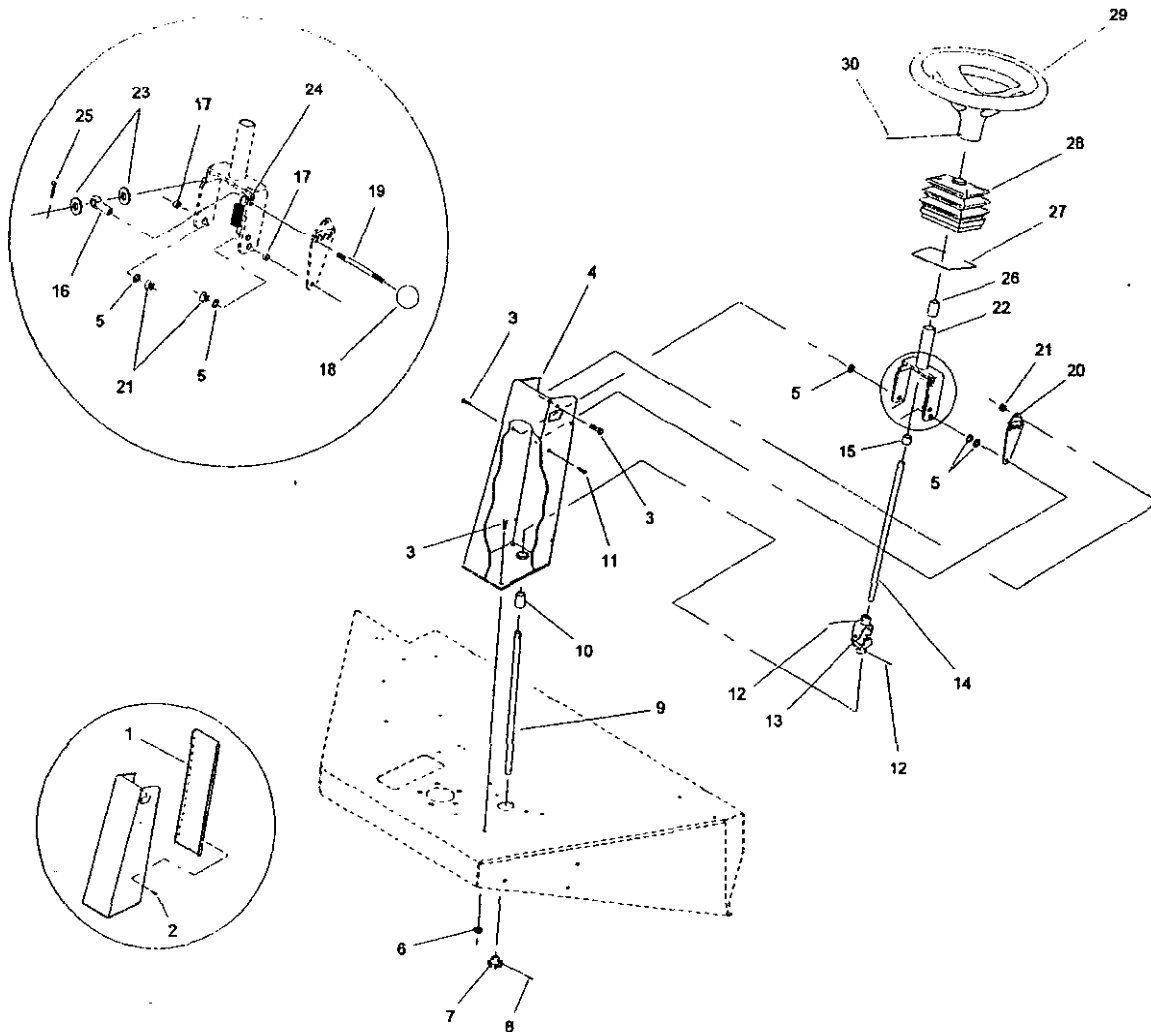
## YOKE ASSEMBLY

44044-B

Ref. No.	Part No.	Description	No. Used
1	01-269-0320	Tire	1
2	3272-15	Pin - Cotter	1
3	01-190-1216	Nut - Castle	1
4	01-286-0040	Cap - Grease	1
5	3256-28	Washer - SAE	1
6	01-269-0140	Front Hub (Incl. #21 - 24)	1
7	323-11	Capscrew - Hex Hd.	4
8	95-4729	Sprocket - Steering	1
9	95-4730	Spacer - Sprocket	4
10	95-0008	Wheel - Yoke WA	1
11	95-0225	Axle-Front	1
12	01-190-1210	Nut - Castle	2
13	3272-23	Pin - Cotter	2
14	01-168-1210	Bushing - Machinery	2
15	01-269-0060	Axle Spacer	2

Ref. No.	Part No.	Description	No. Used
16	95-4796	Chain w/Master Link	1
*	2710-11	Master Link #40	1
17	01-262-0290	Sprocket - Idler	1
18	327-6	Capscrew - Hex Hd.	1
19	3256-27	Washer - SAE	1
20	3296-53	Nut - Lock	1
21	01-102-0070	Bearing	1
22	01-102-0050	Bearing	1
23	01-405-0370	Seal	1
24	242-50	Nut - Lug	5
25	01-269-1810	Wheel	1
26	232-24	Stem - Valve	1
27	01-405-0460	Seal	2
28	254-78	Bearing	2
*	01-269-1820	Tire & Wheel Ass'y (Incl. #1,25-28)	1

\* Not Illustrated



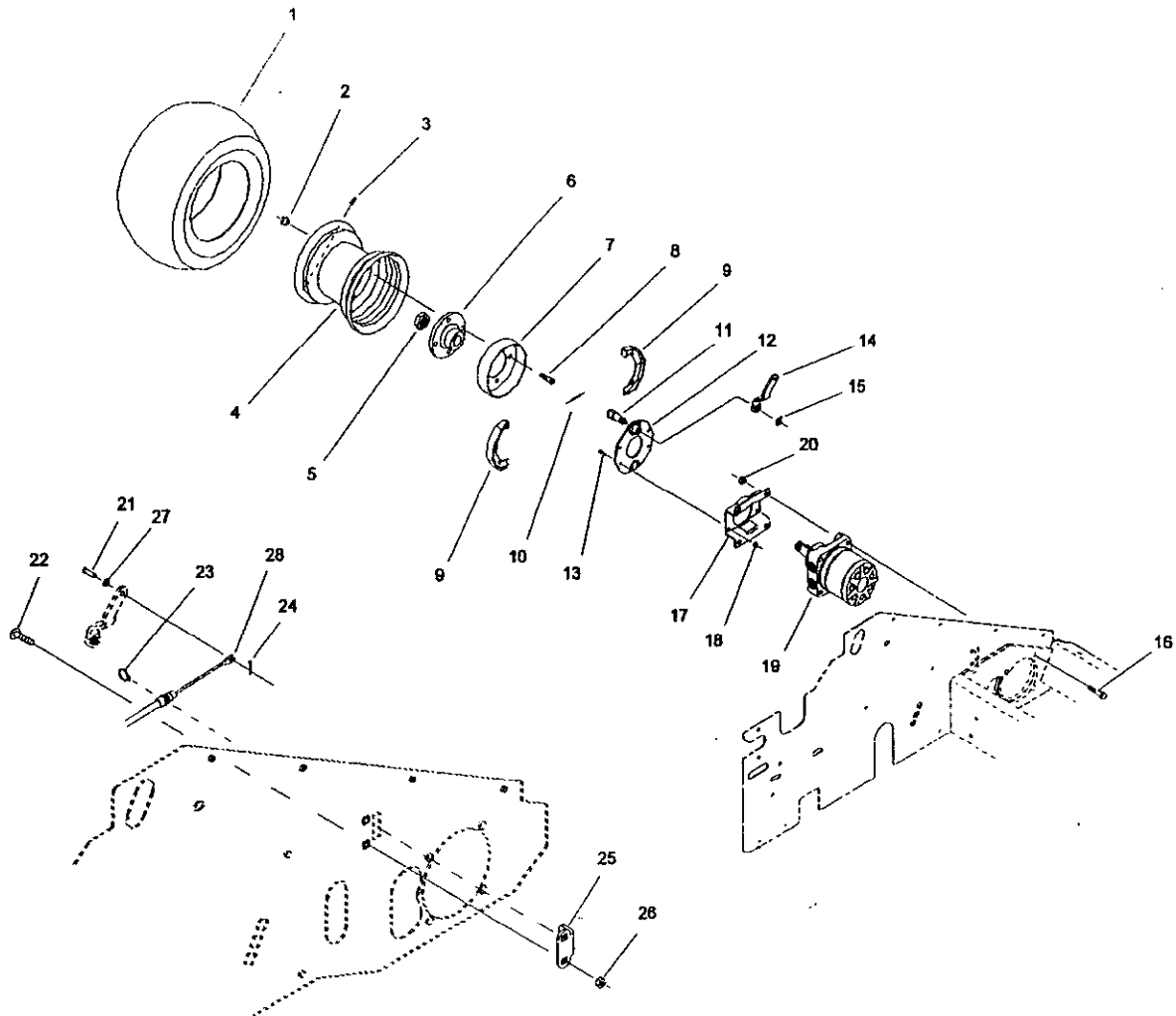
## TILT ASSEMBLY

44044-19

Ref. No.	Part No.	Description	No. Used
1	95-4746	Steering Cover Ass'y	1
2	87-6620	Screw - Special	4
3	322-5	Capscrew - Hex Hd.	6
4	95-4745	Steering Housing WA (Incl. #10)	1
5	3256-23	Washer - SAE	5
6	32128-20	Nut - Flange Lock	4
7	95-4826	Sprocket - Steering	1
8	32121-112	Pin - Roll	1
9	95-0004	Shaft - Steering, Lower	1
10	95-4813	Bushing	1
11	322-6	Capscrew - Hex Hd.	1
12	32121-15	Pin - Roll	2
13	85-9200	Steering Knuckle	1
14	85-9220	Shaft - Steering, Upper	1
15	256-167	Bushing	1
16	95-4737	Rod End - Lever, Lift	1

Ref. No.	Part No.	Description	No. Used
17	85-9120	Spacer - Tilt Pivot	2
18	233-42	Knob	1
19	95-4736	Shaft - Lever, Lift	1
20	95-4738	Sprocket - Adj, Tilt	1
21	3296-29	Nut - Lock	3
22	95-4744	Steering Bracket WA (Incl. #15,26)	1
23	3256-24	Washer - SAE	2
24	95-4798	Spring - Tilt	1
25	3272-10	Pin - Cotter	1
26	256-185	Bushing	1
27	85-8930	Retainer - Boot	1
28	95-4714	Boot - Steering	1
29	92-6657	Steering Wheel - Soft Touch	1
30	32121-111	Pin - Roll	1
*	95-4744	Steering Bracket (Incl. #15,22,26)	1
*	95-4745	Steering Housing (Incl. #4,10)	1

\* Not Illustrated



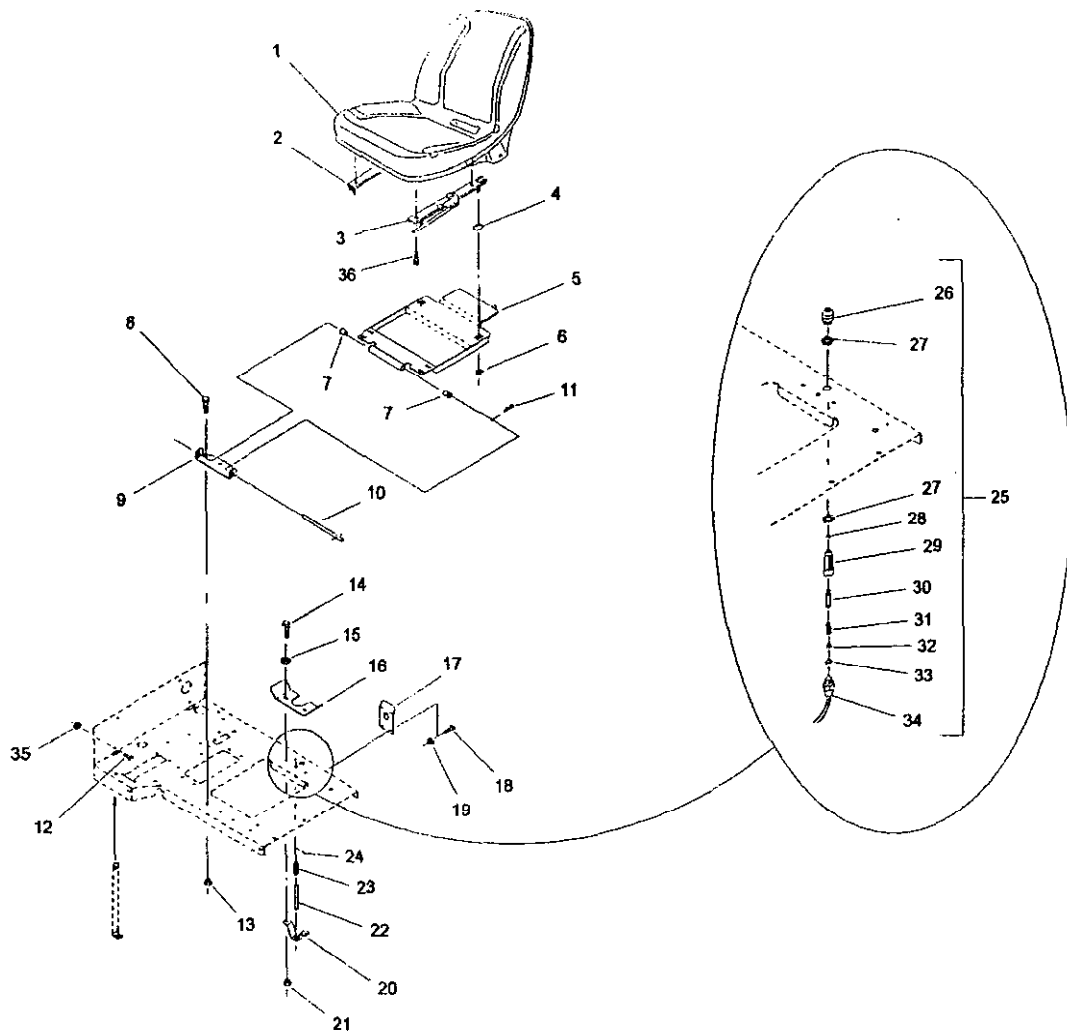
## WHEEL & BRAKE ASSEMBLY

44044-12

Ref. No.	Part No.	Description	No. Used
1	95-0177	Tire - Tubeless	2
2	242-50	Nut - Lug	8
3	232-24	Stem - Valve	2
4	217-60	Rim	2
5	26-3790	Nut - Spindle	2
6	10-6870	Hub - Wheel	2
7	10-6850	Drum - Brake	2
8	85-6540	Stud - Drive	8
9	70-9840	Shoe - Brake	4
10	70-9880	Spring - Return	4
11	70-9860	Cam - Brake	2
12	70-9870	Plate - Backing	2
13	321-5	Cap screw - Hex Hd.	8
14	80-7400	Lever	2
15	70-9850	Clip - Retaining	2
16	325-13	Cap screw - Hex Hd.	8

Ref. No.	Part No.	Description	No. Used
17	84-2000	Bracket - Brake	2
18	3296-42	Nut - Lock	8
19	92-9199	Motor - Hydraulic	2
20	3296-23	Nut - Lock	8
21	283-62	Pin - Clevis	2
22	3231-2	Bolt - Carriage	4
23	32120-47	Ring - Retaining	2
24	3272-10	Pin - Cotter	2
25	92-4698	Mount - Cable, Brake	2
26	3296-22	Nut - Lock	4
27	3256-23	Washer - SAE	2
28	95-0025	Cable - Brake, RH (Shown)	1
*	95-0287	Cable - Brake, LH	1
*	71-1500	Brake Ass'y (Incl. #9,10,11,12,15)	2
*	10-6821	Brake Drum Ass'y (Incl. #6,7,8)	2
*	95-0293	Tire Ass'y (Incl. #1,3,4)	2

\* Not Illustrated

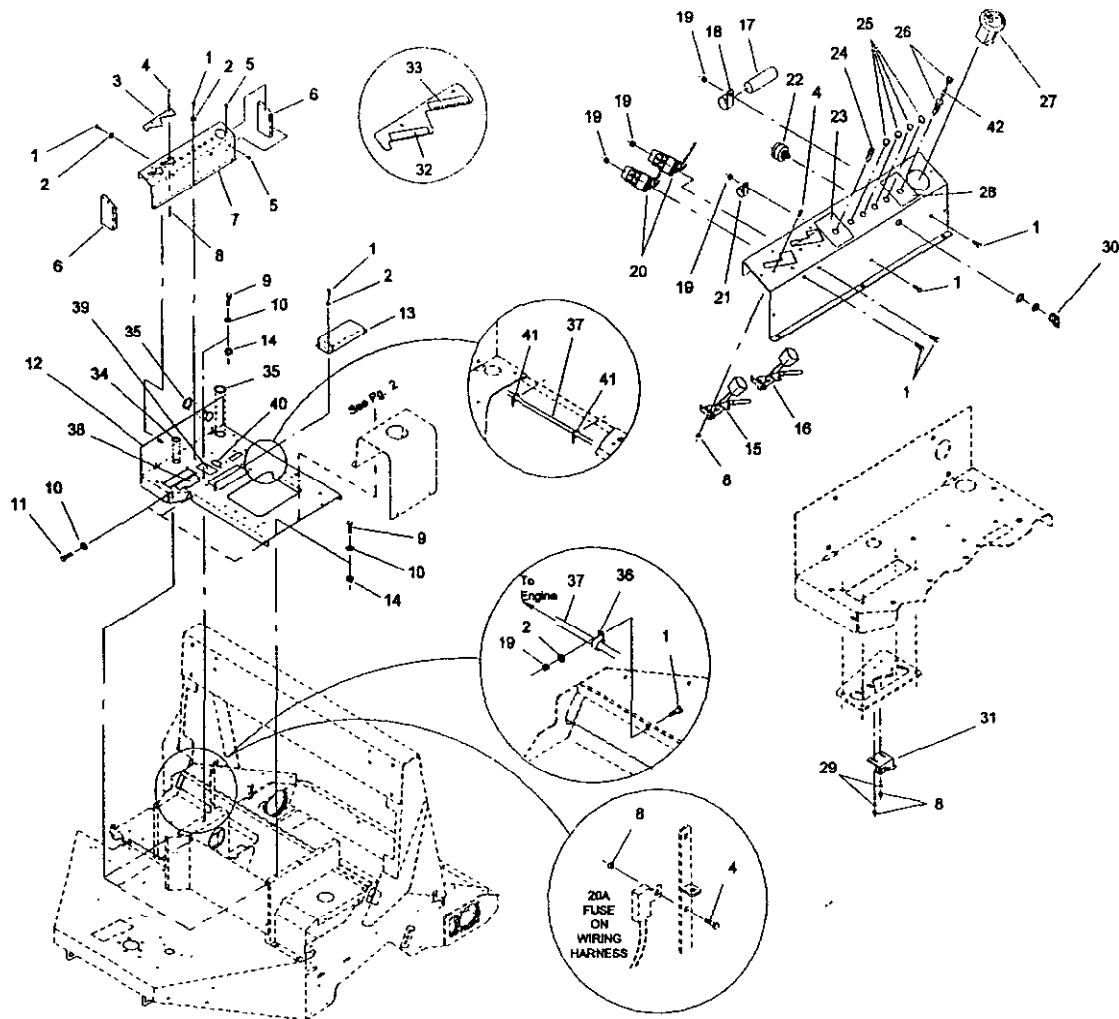


## SEAT ASSEMBLY

44044-9

Ref. No.	Part No.	Description	No. Used
1	92-1180	Seat - Olympic	1
2	95-4763	Adjuster - Seat	1
3	95-4764	Adjuster - Seat, Handle	1
4	66-9290	Suspension Spacer	4
5	95-0377	Seat Plate WA	1
6	32128-20	Nut - Flange Lock	4
7	256-155	Bushing	2
8	323-6	Capscrew - Hex Hd.	2
9	95-0379	Bracket - Pivot, Seat	1
10	49-5880	Shaft - Seat Support	1
11	3290-467	Pin - Hair	1
12	323-4	Capscrew - Hex Hd.	2
13	3296-22	Nut - Lock	2
14	322-5	Capscrew - Hex Hd.	2
15	3256-23	Washer - SAE	2
16	95-0382	Bracket - Rest, Seat	1
17	66-2630	Latch Seat	1
18	321-2	Capscrew - Hex Hd.	2
19	32128-33	Nut - Flange Lock	2

Ref. No.	Part No.	Description	No. Used
20	95-0191	Bracket - Seat Spring	1
21	3296-29	Nut - Lock	2
22	51-0350	Pin - Seat Spring	1
23	3-6685	Spring - Compression	1
24	3284-3	Pin - Groove	1
25	43-9071	Switch - Limit (Includes Item #26-34)	1
26	43-8870	Boot - Switch	1
27	218-461	Nut - Hex	2
28	237-7	Seal - O - Ring	1
29	43-8620	Guide - Switch	1
30	43-8860	Plunger - Switch	1
31	43-8600	Spring - Compression	1
32	43-8610	Seat - Ball	1
33	237-30	Seal - O - Ring	1
34	72-4320	Switch - Ball	1
35	32128-43	Nut - Flange Lock	4
36	3274-12	Screw - Socket	4



## CONTROL PANEL

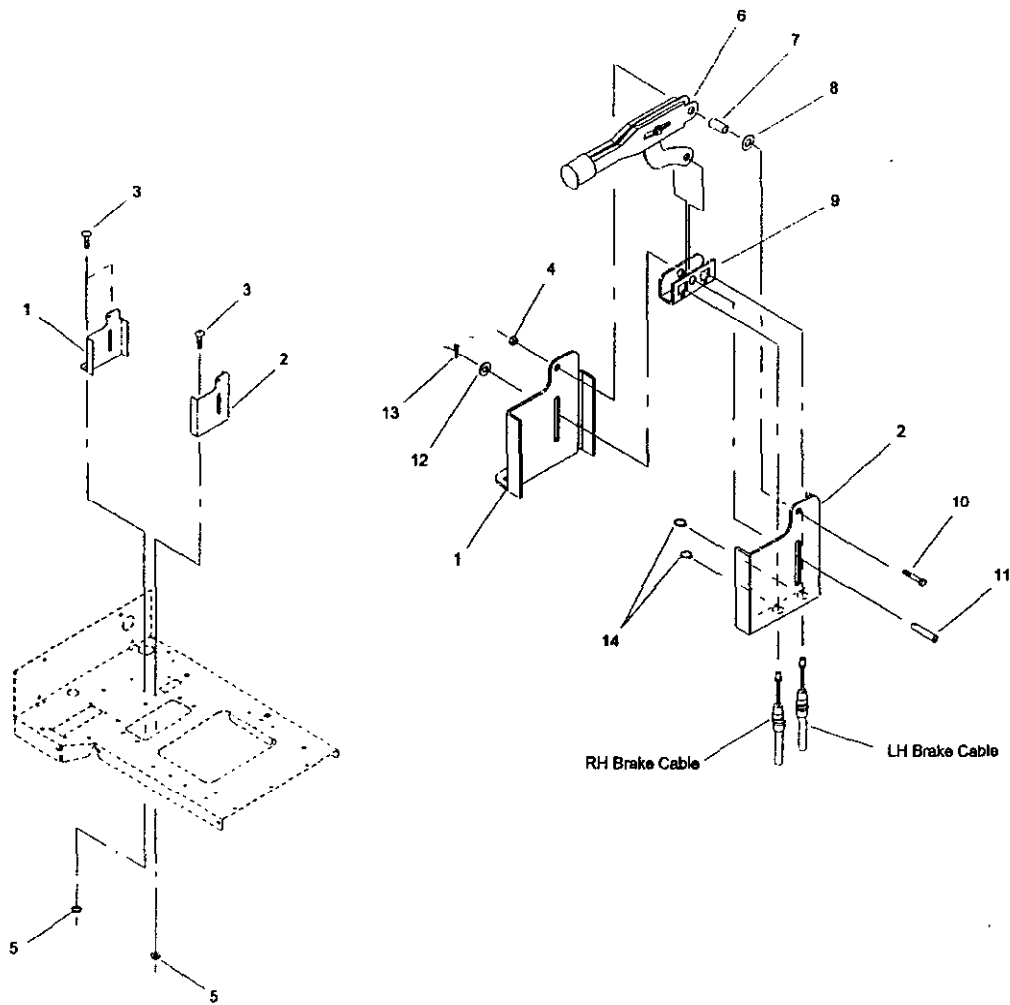
44044-10

Ref. No.	Part No.	Description	No. Used
1	321-4	Capscrew - Hex Hd.	15
2	3256-22	Washer - SAE	10
3	95-0269	Plate - Cover	1
4	3290-134	Machine Screw - Hex Hd.	7
5	3269-4	Rivet - Pop	4
6	95-0186	Cap - End, Panel	2
7	92-4694	Panel - Control	1
8	3296-2	Nut - Lock	9
9	323-6	Capscrew - Hex Hd.	4
10	3256-24	Washer - SAE	7
11	323-4	Capscrew - Hex Hd.	3
12	95-4772	Access Cover Assy	1
13	95-0329	Cover - Top	1
14	32128-43	Nut - Flange Lock	4
15	95-4816	Control Ass'y - Throttle	1
16	95-0286	Control Ass'y - Choke	1
17	37-2690	Capacitor	1
18	2412-74	R-Clamp	1
19	3296-42	Nut - Lock	5
20	70-1480	Relay - Sealed, w /Brkt.	2
21	2412-73	R-Clamp	1

Ref. No.	Part No.	Description	No. Used
22	27-2360	Switch - Key	1
23	95-0383	Decal - Oil	1
24	87-8580	Light - Indicator	1
25	95-4765	Plug - Hole	4
26	218-489	Holder - Fuse	1
27	66-2950	Hour Meter	1
28	95-0384	Decal - Fuse	1
29	3256-21	Washer - SAE	2
30	63-8360	Key - Ignition, w /Shield	1
31	92-7905	Switch & Bracket Assembly	1
32	95-0370	Decal - Throttle	1
33	95-0371	Decal - Choke	1
34	240-5	Grommet	1
35	240-7	Grommet	2
36	2412-134	R-Clamp	1
37	95-0282	Harness - Wire	1
38	95-0390	Decal - Operation, Reels	1
39	95-0389	Decal - Operation, Starting	1
40	87-6020	Decal - Parking Brake	1
41	3290-410	Tie - Push Mount	2
42	95-4858	Fuse, 5A	1
*	---	Fuse, 20A (Obtain Locally)	1

\* Not Illustrated



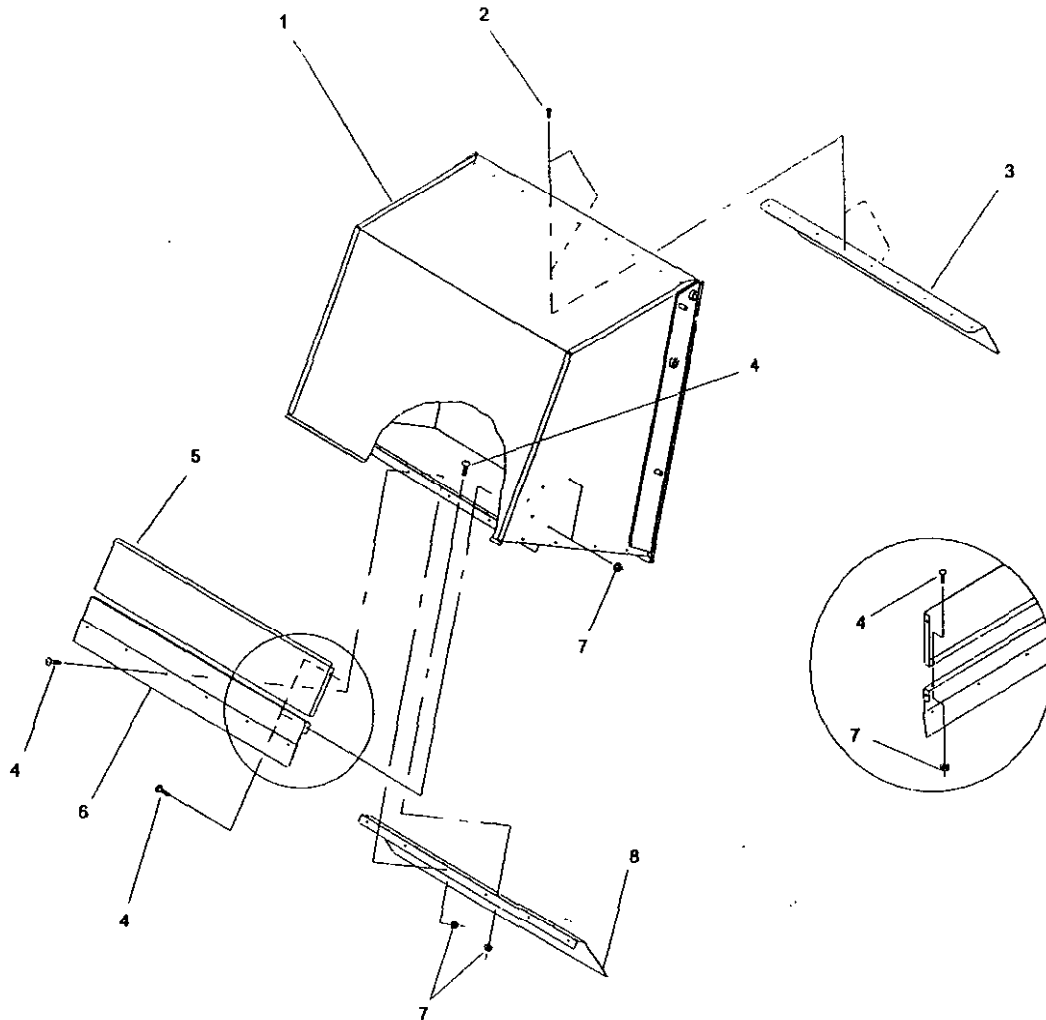


## PARKING BRAKE ASSEMBLY

44044-11

Ref. No.	Part No.	Description	No. Used
1	95-0010	Mount - Brake RH	1
2	95-0009	Mount - Brake LH	1
3	3229-1	Bolt - Carriage	3
4	3296-42	Nut - Lock	1
5	32128-33	Nut - Flange Lock	3
6	87-2710	Lever Brake	1
7	87-4710	Spacer - Parking, Brake	1

Ref. No.	Part No.	Description	No. Used
8	3290-477	Washer - Curved	1
9	87-3480	Bracket - Equalizer, Cable	1
10	321-9	Capscrew - Hex Hd.	1
11	283-14	Pin - Clevis	1
12	3256-23	Washer - SAE	1
13	3272-6	Pin - Cotter	1
14	32120-47	Ring - Retaining	2

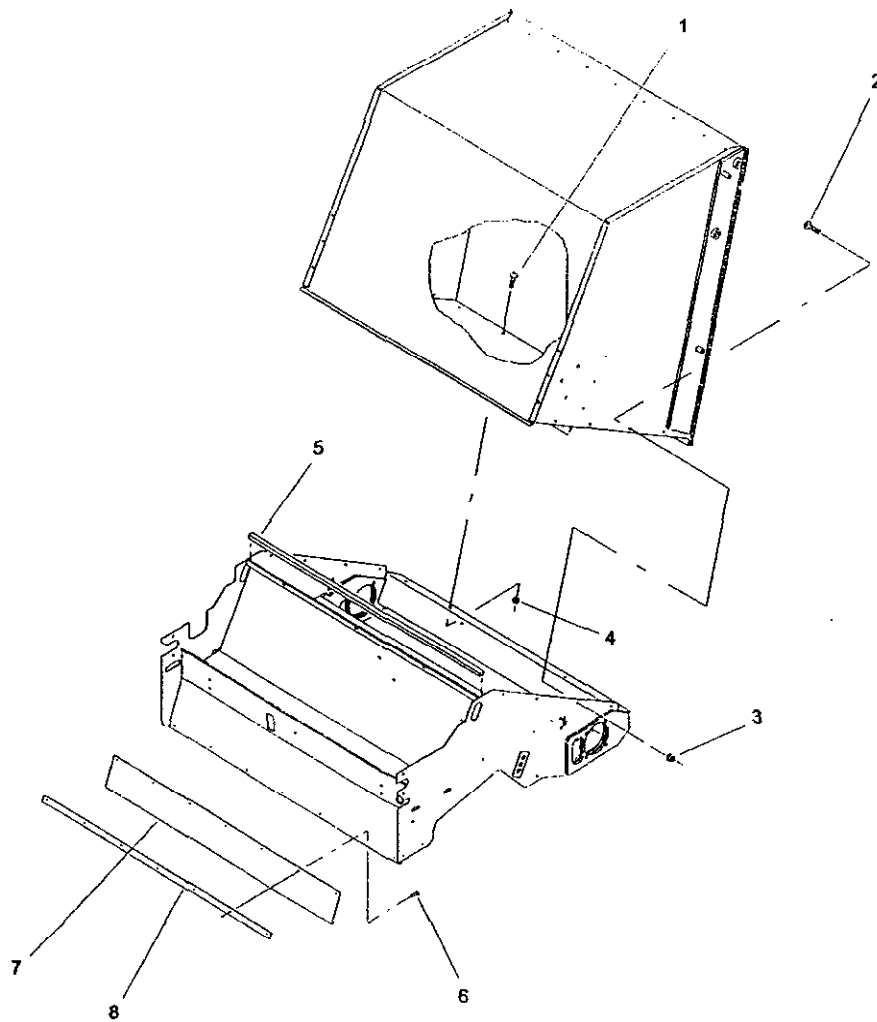


## HOPPER ASSEMBLY

44044-13

Ref. No.	Part No.	Description	No. Used
1	95-0238	Hopper WA	1
2	3269-22	Rivet - Pop	14
3	95-0240	Deflector - Top Hopper	1
4	3229-22	Bolt - Carriage	22

Ref. No.	Part No.	Description	No. Used
5	95-4814	Baffle - Hopper Inlet, Upper	1
6	95-4815	Baffle - Hopper Inlet, Lower	1
7	32128-33	Nut - Flange Lock	22
8	95-0234	Deflector - Bottom Hopper	1

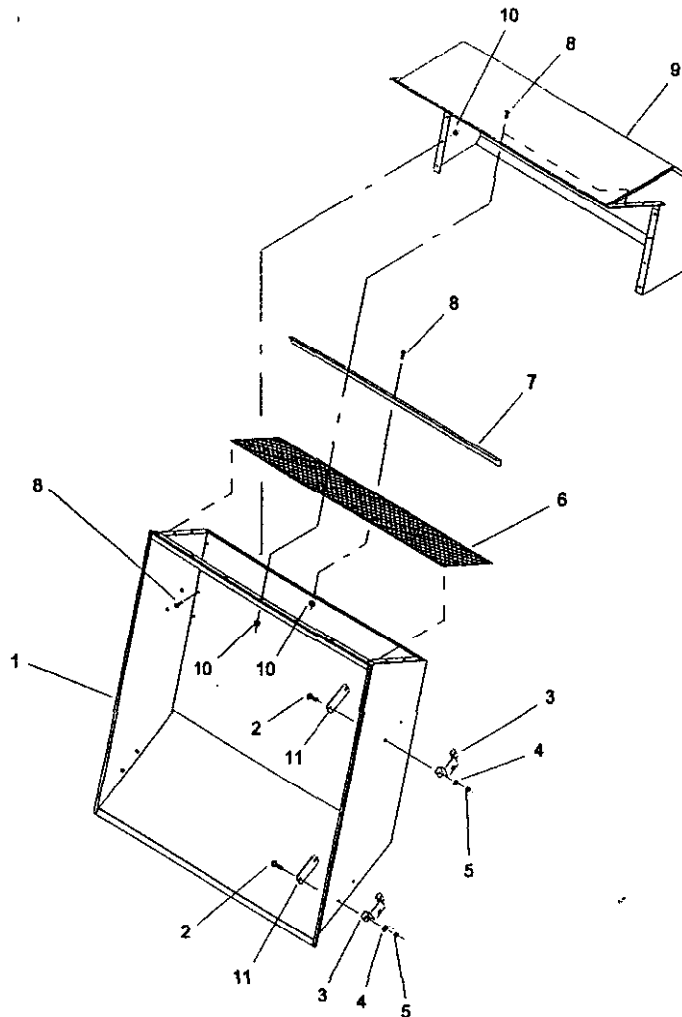


## HOPPER MOUNTING

44044-14

Ref. No.	Part No.	Description	No. Used
1	3230-2	Bolt - Carriage	4
2	3229-1	Bolt - Carriage	8
3	32128-33	Nut - Flange Lock	8
4	32128-20	Nut - Flange Lock	4

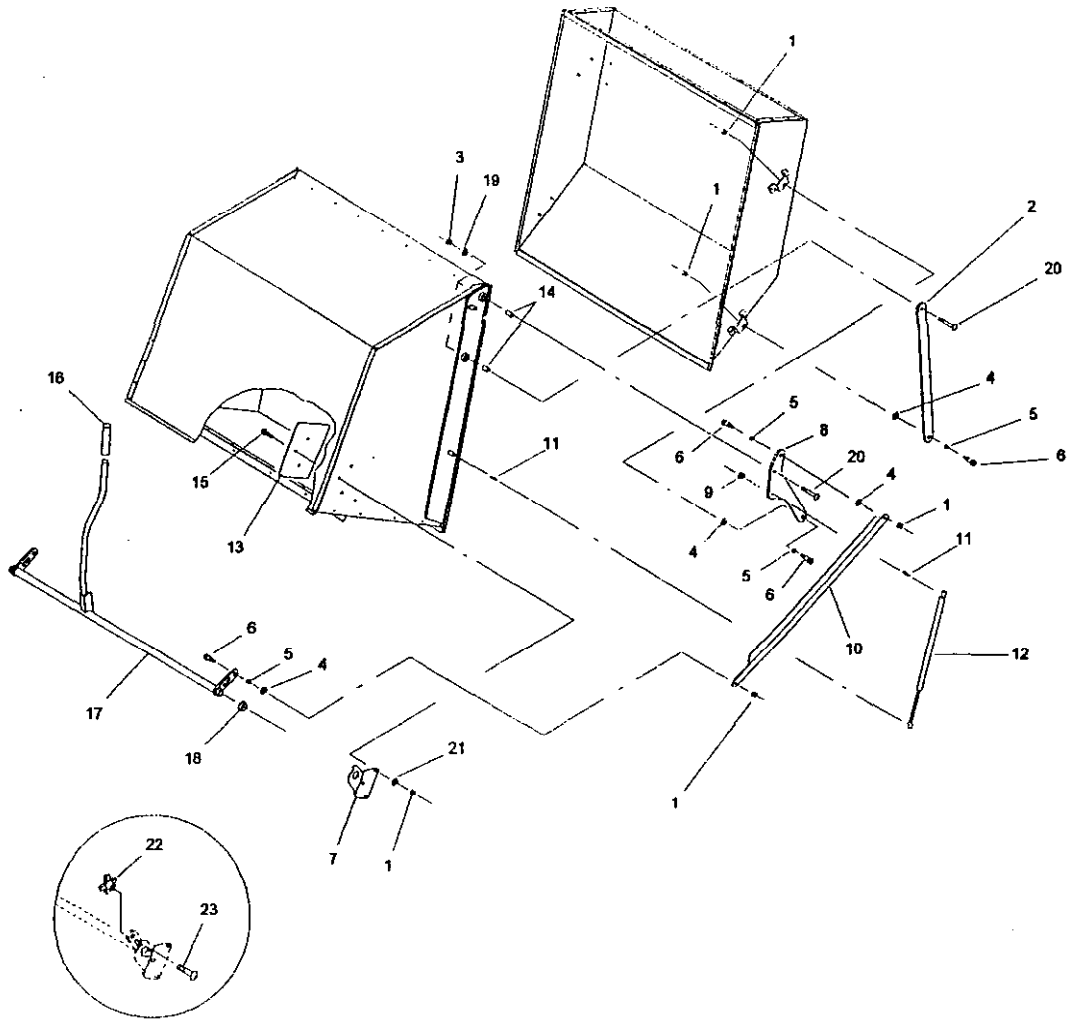
Ref. No.	Part No.	Description	No. Used
5	95-4788	Sponge - Neoprene	1
6	01-161-0090	Rivet - Pop	7
7	95-4802	Skirt - Rubber	1
8	95-4803	Bar - Reinforcement	1



### DOOR ASSEMBLY

44044-15

Ref. No.	Part No.	Description	No. Used	Ref. No.	Part No.	Description	No. Used
1	95-0249	Door - Hopper WA	1	7	95-0253	Screen - Clamp	1
2	3231-2	Bolt - Carriage	8	8	3229-1	Bolt - Carriage	26
3	95-0247	Hinge - Door	4	9	95-0250	Hood WA	1
4	3256-24	Washer - SAE	8	10	32128-33	Nut - Flange Lock	26
5	3296-22	Nut - Lock	8	11	95-4829	Plate - Reinforcement	4
6	95-0231	Hood - Screen	1				



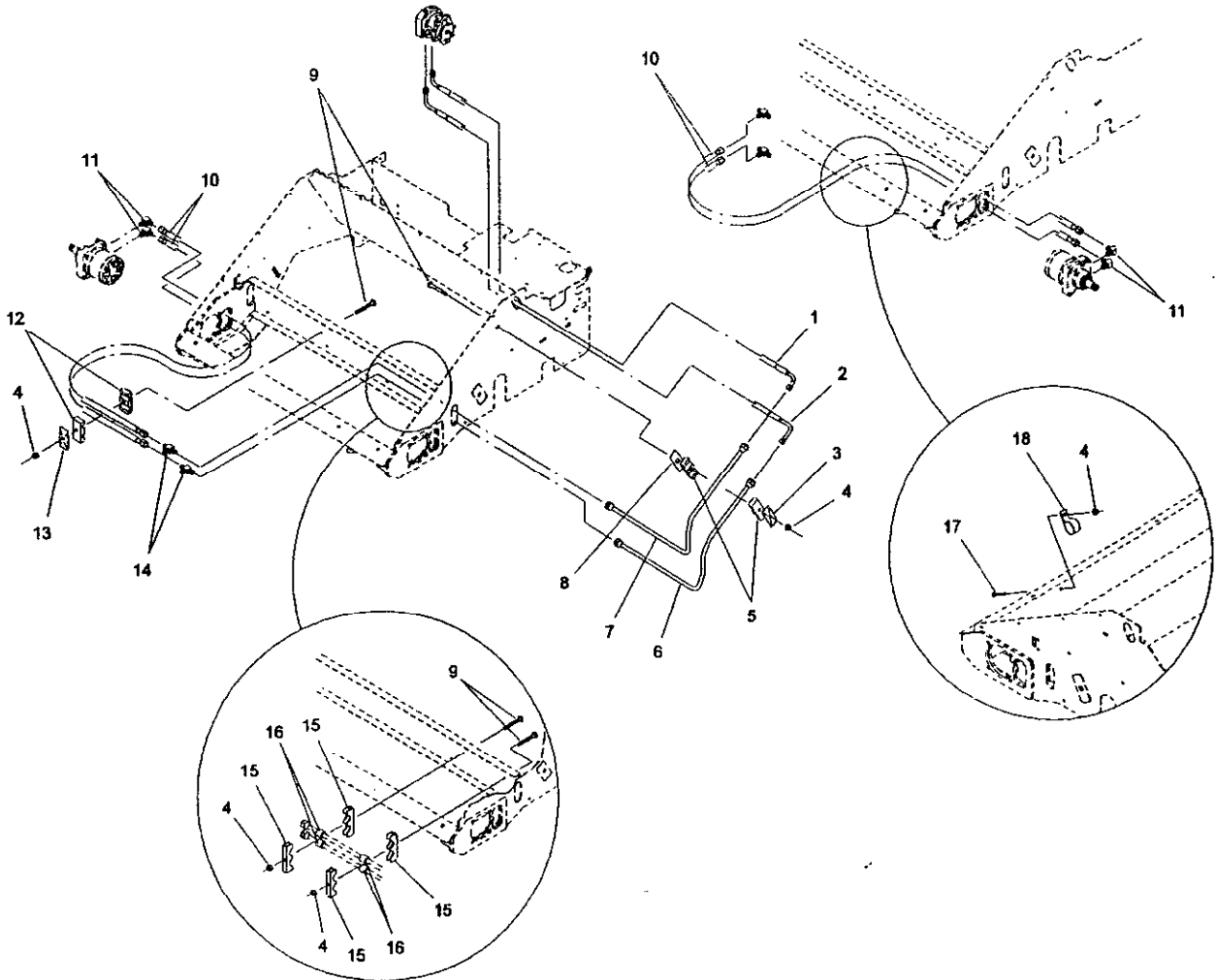
## DOOR LIFT ASSEMBLY

44044-16

Ref. No.	Part No.	Description	No. Used
1	3296-22	Nut - Lock	14
2	95-0313	Link - Door, Low er	2
3	3296-53	Nut - Lock	4
4	3256-26	Washer - SAE	8
5	47-2890	Bushing	8
6	95-4857	Bolt - Shoulder	8
7	95-4767	Bracket - Door, Lift LH	1
*	95-0352	Bracket - Door, Lift RH	1
8	95-0316	Link - Door, Upper	2
9	32128-20	Nut - Flange Lock	2
10	95-0315	Link - Lift, LH	1
*	95-0393	Link - Lift, RH	1
11	95-0275	Ball - Stud	4

Ref. No.	Part No.	Description	No. Used
12	95-0274	Spring - Gas	2
13	95-4781	PL - Sup., Hopper Str.	2
14	17-1620	Bushing - Straight	4
15	3231-28	Bolt - Carriage	6
16	01-259-0010	Handle Grip	1
17	95-0322	Door Lift WA	1
18	95-0043	Bushing	2
19	3256-27	Washer - SAE	4
20	3233-32	Bot - Carriage	4
21	3256-24	Washer - SAE	6
22	95-4769	Knob - Clamping	1
23	3233-1	Bolt - Carriage	1

\* Not Illustrated

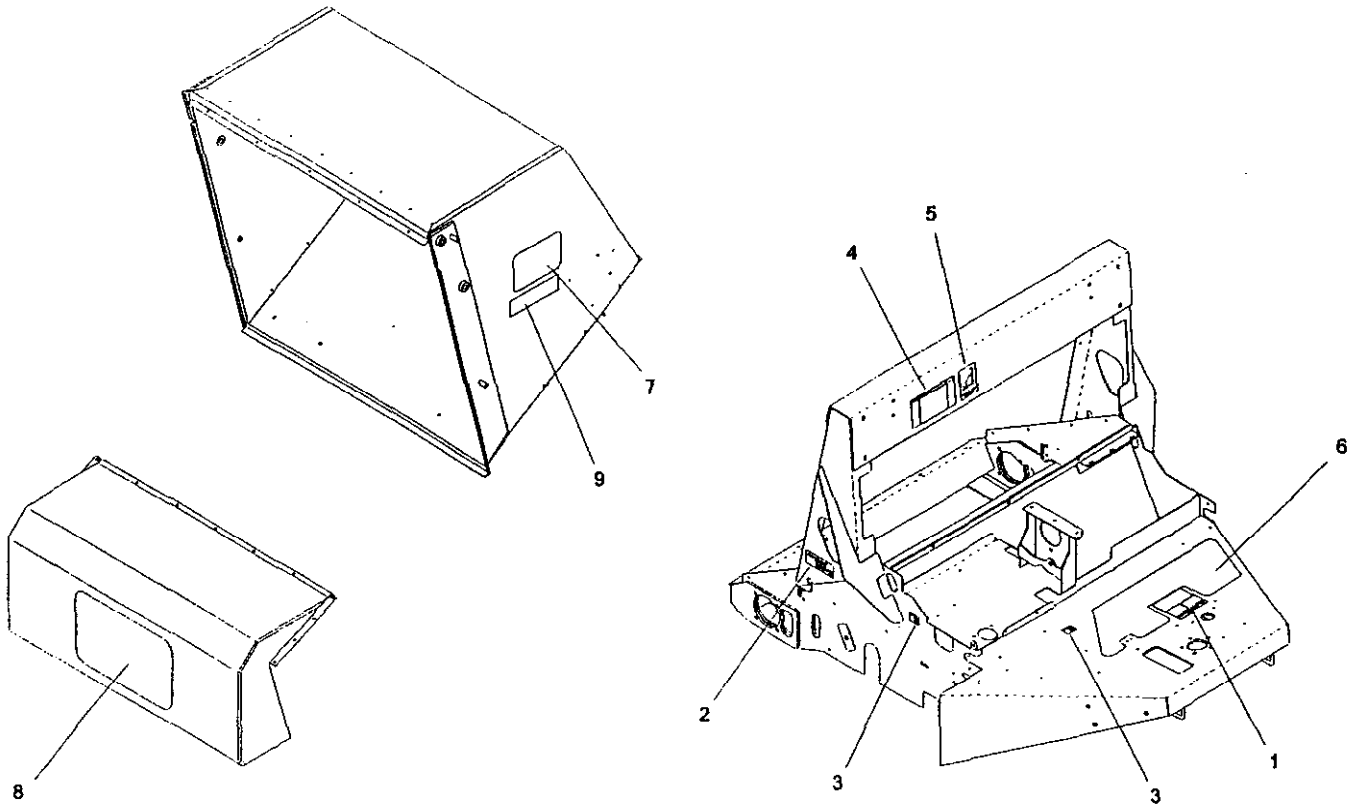


## HYDRAULIC TUBES & HOSES

44044-21

Ref. No.	Part No.	Description	No. Used
1	95-4755	Hose - Hydraulic	1
2	95-4754	Hose - Hydraulic	1
3	95-4795	Plate - Clamp	1
4	3296-29	Nut - Lock	4
5	95-4794	Clamp - Tw in	1
6	95-0264	Tube - Asm	1
7	95-0263	Tube - Asm	1
8	95-4793	Plate - Clamp	1
9	3230-32	Bolt - Carriage	4

Ref. No.	Part No.	Description	No. Used
10	95-4753	Hose - Hydraulic	4
11	340-17	Fitting - Hydraulic	4
12	95-4791	Clamp - Tw in	1
13	95-4792	Plate - Clamp	1
14	340-19	Tee - Hydraulic	2
15	95-0277	Bracket - Tube	4
16	95-0276	Bushing - Rubber	4
17	3230-1	Bolt - Carriage	1
18	92-4372	R-Clamp	1

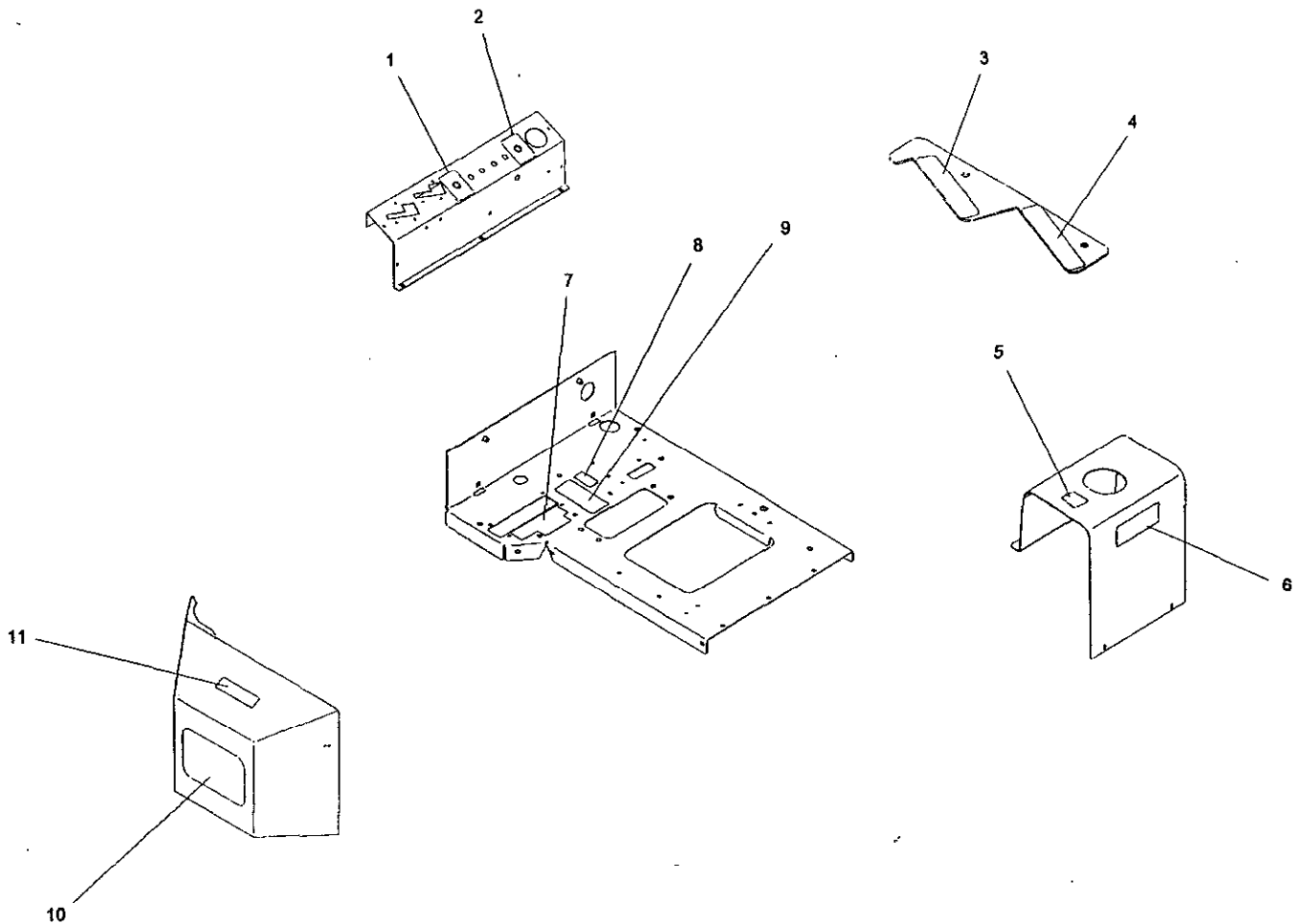


## DECALS

DECALS-3

Ref. No.	Part No.	Description	No. Used
1	01-506-0090	Decal - Slopes	1
2	82-4600	Decal - Hydro Drive	2
3	88-8950	Decal - Warning	2
4	95-0387	Decal - Operating Instructions	1
5	95-0388	Decal - Operating, Hopper	1

Ref. No.	Part No.	Description	No. Used
6	95-0398	Tread - Floorboard	1
7	66-6140	Decal - Toro	2
8	67-7920	Decal - Logo (Lg)	1
9	01-506-0650	Decal - Turf Sweeper 4800	2

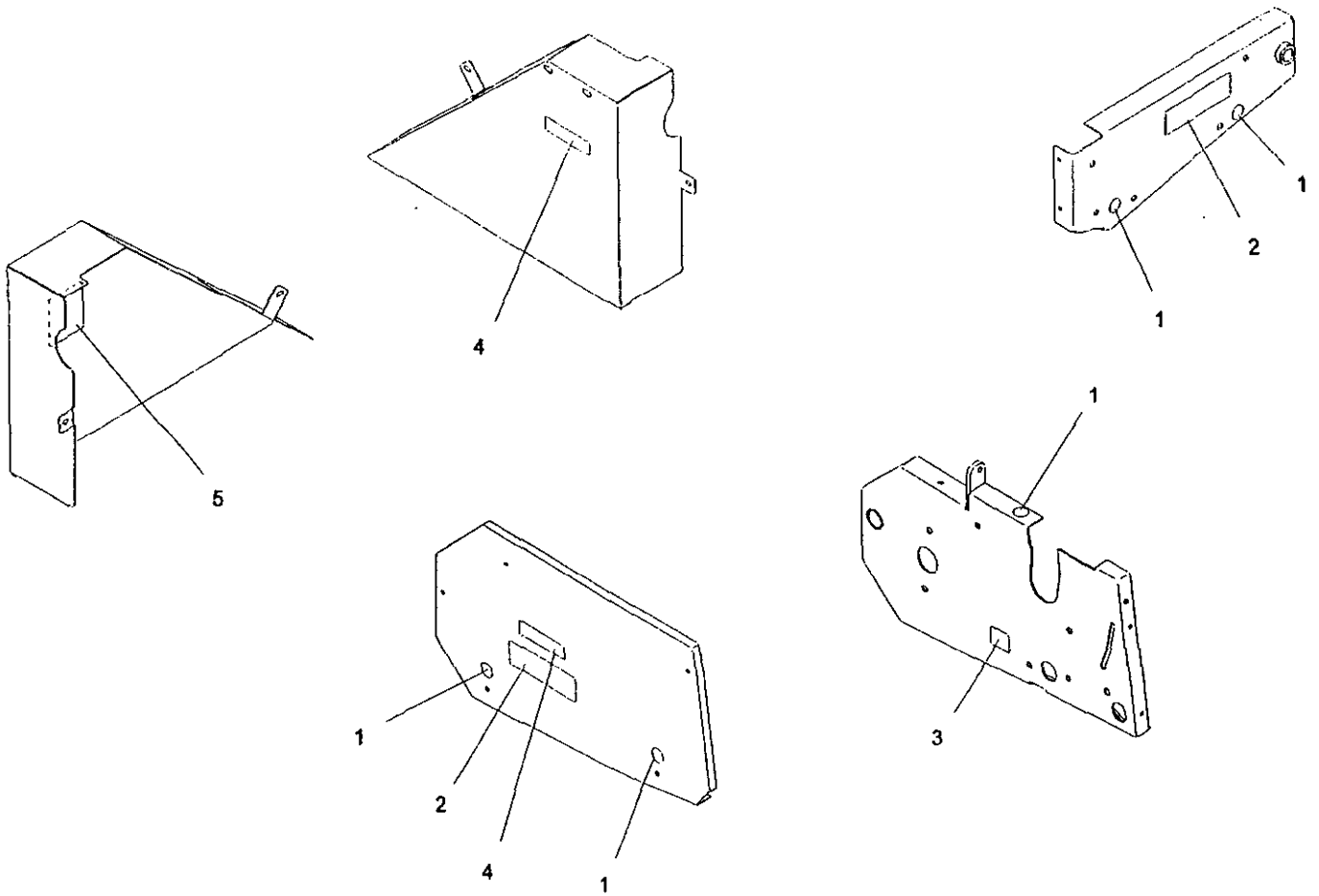


### DECALS (Continued)

DECALS-2

Ref. No.	Part No.	Description	No. Used	Ref. No.	Part No.	Description	No. Used
1	95-0383	Decal - Oil Light	1	7	95-0390	Decal - Operation, Reels	1
2	95-0384	Decal - Fuse	1	8	87-6020	Decal - Parking Brake	1
3	95-0370	Decal - Throttle	1	9	95-0389	Decal - Operation, Starting	1
4	95-0371	Decal - Choke	1	10	67-7320	Decal - Logo	1
5	53-4420	Decal - Gas	1	11	67-5360	Decal - Danger	1
6	27-7310	Decal - Refueling	1				



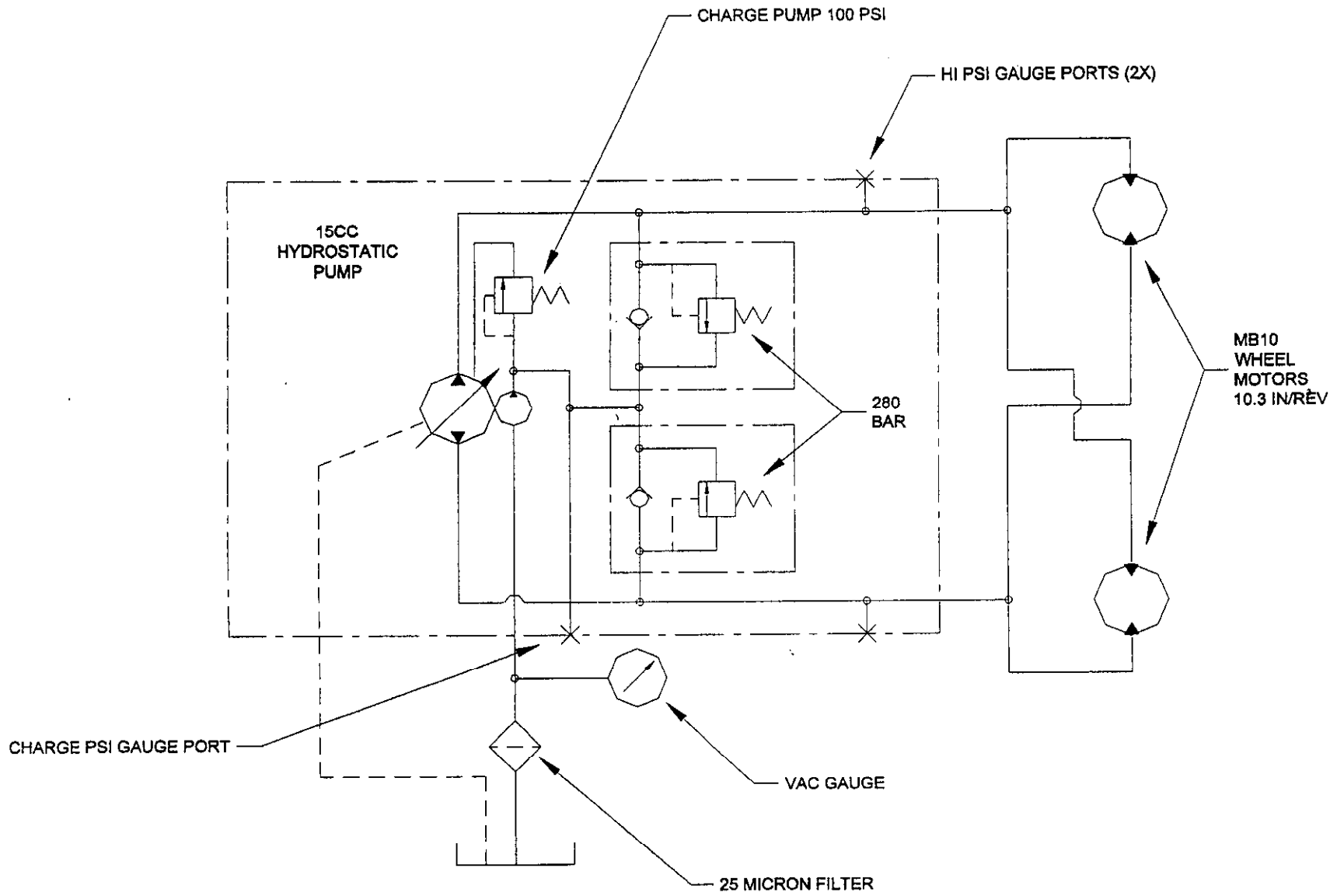


## DECALS (Continued)

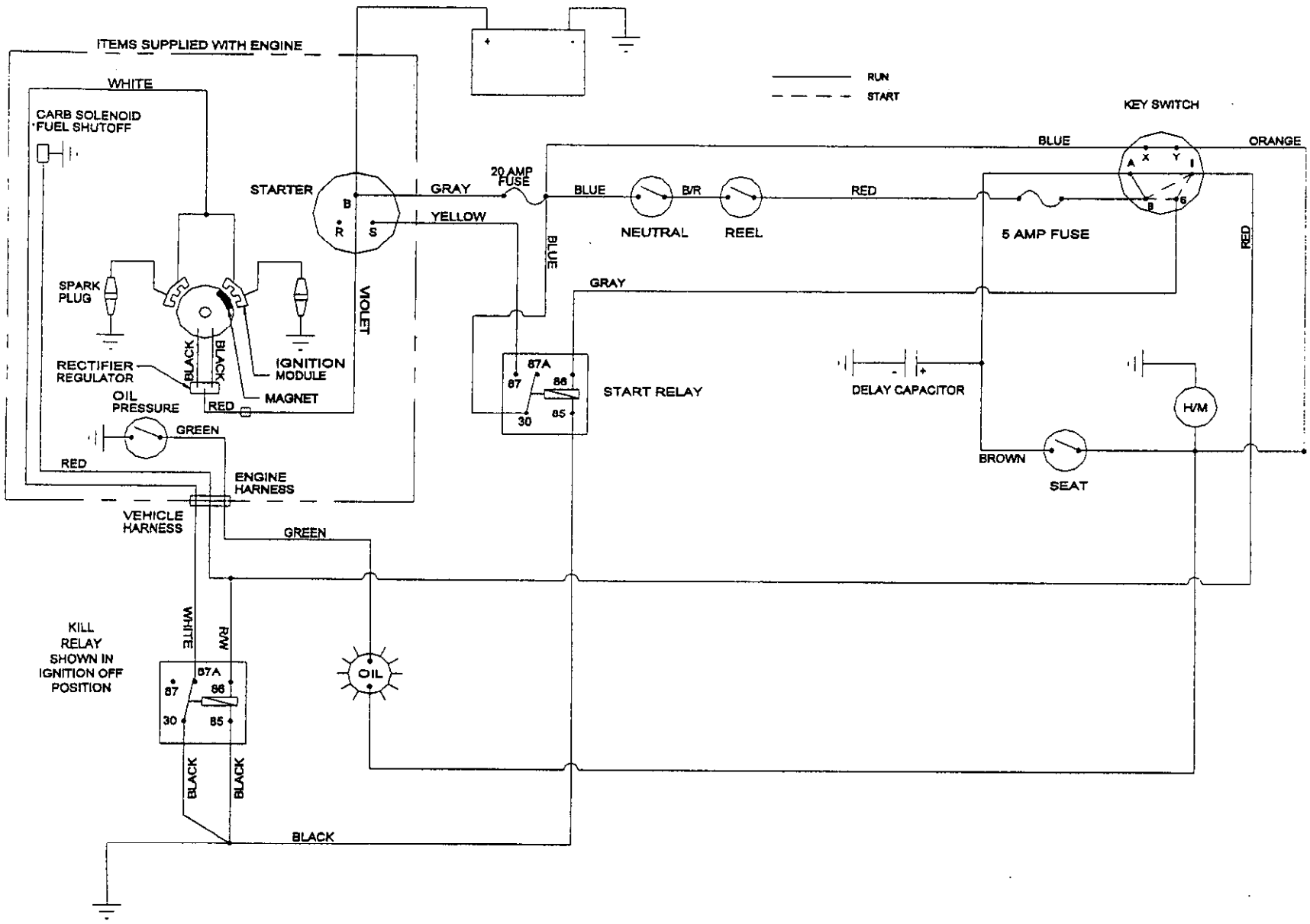
DECALS-1

Ref. No.	Part No.	Description	No. Used
1	58-6520	Decal - Grease	5
2	01-506-0080	Decal - Hands & Feet Clear	2
3	88-8950	Decal - Warning	1

Ref. No.	Part No.	Description	No. Used
4	67-5360	Decal - Danger	2
5	95-4750	Decal - Routing, Belt	1



HYDRAULIC SCHEMATIC



ELECTRICAL SCHEMATIC

# PART NUMBER INDEX

Part No.	Description	Pg. No.	Ref. No.	Qty.	Part No.	Description	Pg. No.	Ref. No.	Qty.
-----	Fuse, 20A	16	*	1	2412-133	R-Clamp	1	27	2
01-100-0160	Bearing - Flange Block	8	22	2	2412-134	R-Clamp	16	36	1
01-100-0170	Bearing - Flange Block	8	5	2	2412-34	Clamp - Hose	3	9	1
01-102-0050	Bearing	12	22	1	2412-34	Clamp - Hose	5	6	3
01-102-0070	Bearing	12	21	1	2412-73	R-Clamp	2	22	1
01-161-0090	Rivet - Pop	19	6	7	2412-73	R-Clamp	16	21	1
01-163-0030	Screw - Set	10	44	6	2412-74	R-Clamp	16	18	1
01-168-1014	Bushing - Machinery	10	46	1	2412-89	R-Clamp	2	25	2
01-168-1210	Bushing - Machinery	12	14	2	242-50	Nut - Lug	12	24	5
01-168-1218	Bushing - Machinery	9	27	2	242-50	Nut - Lug	14	2	8
01-172-0030	Collar - Lock	10	45	1	251-259	Bearing	7	7	2
01-190-1210	Nut - Castle	12	12	2	254-78	Bearing	12	28	2
01-190-1216	Nut - Castle	12	3	1	256-113	Bushing - Flange	7	22	2
01-201-1080	Fitting - Hydraulic, Barb	5	8	1	256-132	Bearing - Flange	8	7	4
01-201-3380	Fitting - Flat Face O-ring	3	5	2	256-155	Bushing	15	7	2
01-201-4680	Fitting - Hydraulic	3	6	1	256-156	Bushing - Flange	6	4	2
01-250-0040	Rod End	9	19	2	256-156	Bushing - Flange	9	14	1
01-259-0010	Handle Grip	21	16	1	256-167	Bushing	13	15	1
01-261-0330	Spring Dandy Steel	9	22	1	256-185	Bushing	13	26	1
01-262-0290	Sprocket - Idler	12	17	1	256-247	Bushing	10	28	2
01-269-0060	Axle Spacer	12	15	2	26-3790	Nut - Spindle	14	5	2
01-269-0140	Front Hub	12	6	1	27-1960	Hub - Engine	4	2	1
01-269-0320	Tire	12	1	1	27-2360	Switch - Key	16	22	1
01-269-1810	Wheel	12	25	1	27-7310	Decal - Refueling	24	6	1
01-269-1820	Tire & Wheel Ass'y	12	*	1	2710-11	Master Link #40	12	*	1
01-279-0010	Rubber Fingers	8	3	88	283-14	Pin - Clevis	17	11	1
01-286-0040	Cap - Grease	12	4	1	283-62	Pin - Clevis	14	21	2
01-405-0370	Seal	12	23	1	288-10	Pipe Cap	2	11	1
01-405-0460	Seal	12	27	2	288-10	Pipe Cap	5	17	1
01-456-0050	Stub	2	14	1	289-48	Pipe	2	12	1
01-506-0080	Decal - Hands & Feet Clear	25	2	2	289-51	Nipple - Pipe	5	16	1
01-506-0090	Decal - Slopes	23	1	1	29-6163	Switch - Neutral	7	19	1
01-506-0650	Decal - Turf Sweeper 4800	23	9	2	3-6498	Washer - Thrust	7	11	1
01-650-1100	All Thread - Fine	9	23	1	3-6685	Spring - Compression	15	23	1
10-6821	Brake Drum Ass'y	14	*	2	302-60	Fitting - Grease	7	23	1
10-6850	Drum - Brake	14	7	2	302-60	Fitting - Grease	10	*	1
10-6870	Hub - Wheel	14	6	2	321-2	Capscrew - Hex Hd.	15	18	2
17-1620	Bushing - Straight	21	14	4	321-4	Capscrew - Hex Hd.	1	24	7
18-204-1781	Isolator - Rubber	5	18	3	321-4	Capscrew - Hex Hd.	2	21	2
18-6380	Pin - Adjusting	7	3	1	321-4	Capscrew - Hex Hd.	6	6	1
2112-11	Clamp - Muffler	2	*	1	321-4	Capscrew - Hex Hd.	10	9	10
217-60	Rim	14	4	2	321-4	Capscrew - Hex Hd.	10	*	2
218-461	Nut - Hex	15	27	2	321-4	Capscrew - Hex Hd.	16	1	15
218-489	Holder - Fuse	16	26	1	321-5	Capscrew - Hex Hd.	14	13	8
23-9740	Cartridge - Oil Filter	5	30	1	321-9	Capscrew - Hex Hd.	5	1	2
232-24	Stem - Valve	12	26	1	321-9	Capscrew - Hex Hd.	17	10	1
232-24	Stem - Valve	14	3	2	32105-21	Screw - Machine	7	15	2
233-42	Knob	13	18	1	32120-47	Ring - Retaining	14	23	2
233-48	Knob	9	2	1	32120-47	Ring - Retaining	17	14	2
237-30	Seal - O - Ring	15	33	1	32121-111	Pin - Roll	13	30	1
237-7	Seal - O - Ring	15	28	1	32121-112	Pin - Roll	13	8	1
24-050-02	Filter - Fuel	5	28	1	32121-15	Pin - Roll	13	12	2
24-6390	Battery Hold Down Stud	1	22	2	32121-6	Pin - Roll	4	13	1
24-6420	Battery Hold Down	1	14	1	32128-20	Nut - Flange Lock	1	5	17
240-5	Grommet	16	34	1	32128-20	Nut - Flange Lock	2	6	2
240-7	Grommet	16	35	2	32128-20	Nut - Flange Lock	13	6	4
2412-105	R-Clamp	2	10	1	32128-20	Nut - Flange Lock	15	6	4
2412-108	Clamp - Hose	5	25	3	32128-20	Nut - Flange Lock	19	4	4
2412-129	Clamp - Hose	5	20	2	32128-20	Nut - Flange Lock	21	9	2

# PART NUMBER INDEX (Continued)

Part No.	Description	Pg. No.	Ref. No.	Qty.	Part No.	Description	Pg. No.	Ref. No.	Qty.
32128-21	Nut - Flange Lock	9	25	1	3233-1	Bolt - Carriage	21	23	1
32128-33	Nut - Flange Lock	1	15	6	3233-32	Bolt - Carriage	21	20	4
32128-33	Nut - Flange Lock	2	23	3	3233-33	Bolt - Carriage	8	21	2
32128-33	Nut - Flange Lock	6	9	2	324-5	Capscrew - Hex Hd.	8	12	4
32128-33	Nut - Flange Lock	9	4	4	3241-5	Setscrew	4	11	4
32128-33	Nut - Flange Lock	17	5	3	325-13	Capscrew - Hex Hd.	14	16	8
32128-33	Nut - Flange Lock	18	7	22	325-5	Capscrew - Hex Hd.	9	16	1
32128-33	Nut - Flange Lock	19	3	8	325-6	Capscrew - Hex Hd.	8	11	4
32128-33	Nut - Flange Lock	20	10	26	3253-3	Washer - Lock	5	2	2
32128-43	Nut - Flange Lock	1	11	2	3253-5	Washer - Lock	9	21	2
32128-43	Nut - Flange Lock	2	7	6	3253-5	Washer - Lock	10	34	2
32128-43	Nut - Flange Lock	15	35	4	3256-2	Washer - Flat	5	3	2
32128-43	Nut - Flange Lock	16	14	4	3256-21	Washer - SAE	16	29	2
3217-7	Nut - Hex	10	40	3	3256-22	Washer - SAE	1	8	3
3217-8	Nut - Hex	10	41	2	3256-22	Washer - SAE	8	16	4
3218-3	Nut - Jam	11	52	1	3256-22	Washer - SAE	11	50	10
3219-5	Nut - Hex	9	20	4	3256-22	Washer - SAE	16	2	10
322-10	Capscrew - Hex Hd.	4	1	4	3256-23	Washer - SAE	1	4	5
322-3	Capscrew - Hex Hd.	1	21	2	3256-23	Washer - SAE	2	4	3
322-3	Capscrew - Hex Hd.	2	5	2	3256-23	Washer - SAE	4	4	4
322-3	Capscrew - Hex Hd.	10	6	1	3256-23	Washer - SAE	10	2	3
322-5	Capscrew - Hex Hd.	1	3	7	3256-23	Washer - SAE	13	5	5
322-5	Capscrew - Hex Hd.	13	3	6	3256-23	Washer - SAE	14	27	2
322-5	Capscrew - Hex Hd.	15	14	2	3256-23	Washer - SAE	15	15	2
322-6	Capscrew - Hex Hd.	13	11	1	3256-23	Washer - SAE	17	12	1
322-7	Capscrew - Hex Hd.	4	8	4	3256-24	Washer - SAE	2	2	2
322-8	Capscrew - Hex Hd.	7	9	1	3256-24	Washer - SAE	5	13	2
3220-3	Nut - Jam	9	24	2	3256-24	Washer - SAE	9	11	4
3229-1	Bolt - Carriage	2	24	2	3256-24	Washer - SAE	10	14	4
3229-1	Bolt - Carriage	8	14	4	3256-24	Washer - SAE	13	23	2
3229-1	Bolt - Carriage	9	3	4	3256-24	Washer - SAE	16	10	7
3229-1	Bolt - Carriage	17	3	3	3256-24	Washer - SAE	20	4	8
3229-1	Bolt - Carriage	19	2	8	3256-24	Washer - SAE	21	21	6
3229-1	Bolt - Carriage	20	8	26	3256-26	Washer - SAE	10	20	2
3229-2	Bolt - Carriage	6	7	2	3256-26	Washer - SAE	21	4	8
3229-22	Bolt - Carriage	18	4	22	3256-27	Washer - SAE	12	19	1
323-10	Capscrew - Hex Hd.	7	13	1	3256-27	Washer - SAE	21	19	4
323-11	Capscrew - Hex Hd.	12	7	4	3256-28	Washer - SAE	12	5	1
323-4	Capscrew - Hex Hd.	1	7	2	3256-29	Washer - SAE	11	48	3
323-4	Capscrew - Hex Hd.	15	12	2	3256-3	Washer - Flat	1	18	12
323-4	Capscrew - Hex Hd.	16	11	3	3256-4	Washer - Flat	1	31	4
323-6	Capscrew - Hex Hd.	2	1	2	3256-4	Washer - Flat	9	7	2
323-6	Capscrew - Hex Hd.	5	12	2	3256-4	Washer - Flat	10	39	2
323-6	Capscrew - Hex Hd.	10	33	2	3256-5	Washer - SAE	10	3	4
323-6	Capscrew - Hex Hd.	15	8	2	3256-7	Washer - Flat	8	9	2
323-6	Capscrew - Hex Hd.	16	9	4	3257-32	Key - Woodruff	4	14	1
323-7	Capscrew - Hex Hd.	1	30	2	3269-22	Rivet - Pop	18	2	14
323-8	Capscrew - Hex Hd.	9	10	4	3269-32	Rivet - Pop	2	17	2
323-9	Capscrew - Hex Hd.	2	9	4	3269-34	Rivet - Pop	1	13	6
3230-1	Bolt - Carriage	22	17	1	3269-4	Rivet - Pop	16	5	4
3230-2	Bolt - Carriage	1	17	10	327-6	Capscrew - Hex Hd.	12	18	1
3230-2	Bolt - Carriage	19	1	4	327-7	Capscrew - Hex Hd.	10	31	1
3230-32	Bolt - Carriage	22	9	4	327-8	Capscrew - Hex Hd.	10	23	1
3231-2	Bolt - Carriage	8	13	4	3272-10	Pin - Cotter	10	29	1
3231-2	Bolt - Carriage	14	22	4	3272-10	Pin - Cotter	13	25	1
3231-2	Bolt - Carriage	20	2	8	3272-10	Pin - Cotter	14	24	2
3231-28	Bolt - Carriage	10	22	2	3272-15	Pin - Cotter	12	2	1
3231-28	Bolt - Carriage	21	15	6	3272-23	Pin - Cotter	12	13	2
3231-8	Bolt - Carriage	10	16	1	3272-6	Pin - Cotter	17	13	1

# PART NUMBER INDEX (Continued)

Part No.	Description	Pg. No.	Ref. No.	Qty.	Part No.	Description	Pg. No.	Ref. No.	Qty.
3274-12	Screw - Socket	15	36	4	49-5880	Shaft - Seat Support	15	10	1
3274-5	Screw - Hex Socket Hd.	3	1	2	5-4916	Key	4	12	1
3284-3	Pin - Groove	15	24	1	5-4916	Key	8	28	2
3290-134	Machine Screw - Hex Hd.	16	4	7	5-4916	Key	11	47	1
3290-410	Tie - Push Mount	16	41	2	51-0350	Pin - Seat Spring	15	22	1
3290-467	Pin - Hair	15	11	1	53-4420	Decal - Gas	24	5	1
3290-477	Washer - Curved	17	8	1	55-7290	Battery - Dry	1	23	1
3296-2	Nut - Lock	16	8	9	58-6520	Decal - Grease	25	1	5
3296-22	Nut - Lock	5	15	2	62-4040	Fuel Tank	5	10	1
3296-22	Nut - Lock	10	13	3	63-8360	Key - Ignition, w/Shield	16	30	1
3296-22	Nut - Lock	14	26	4	66-2630	Latch Seat	15	17	1
3296-22	Nut - Lock	15	13	2	66-2950	Hour Meter	16	27	1
3296-22	Nut - Lock	20	5	8	66-6140	Decal - Toro	23	7	2
3296-22	Nut - Lock	21	1	14	66-9290	Suspension Spacer	15	4	4
3296-23	Nut - Lock	3	8	2	67-5360	Decal - Danger	24	11	1
3296-23	Nut - Lock	8	4	4	67-5360	Decal - Danger	25	4	2
3296-23	Nut - Lock	14	20	8	67-7320	Decal - Logo	24	10	1
3296-28	Nut - Lock	8	18	2	67-7920	Decal - Logo (Lg)	23	8	1
3296-29	Nut - Lock	1	26	4	70-1480	Relay - Sealed, w/Brkt.	16	20	2
3296-29	Nut - Lock	4	5	8	70-9840	Shoe - Brake	14	9	4
3296-29	Nut - Lock	7	4	2	70-9850	Clip - Retaining	14	15	2
3296-29	Nut - Lock	10	1	2	70-9860	Cam - Brake	14	11	2
3296-29	Nut - Lock	13	21	3	70-9870	Plate - Backing	14	12	2
3296-29	Nut - Lock	15	21	2	70-9880	Spring - Return	14	10	4
3296-29	Nut - Lock	22	4	4	71-1500	Brake Ass'y	14	*	2
3296-39	Nut - Lock	1	32	2	71-4400	Driveshaft WA	4	6	1
3296-39	Nut - Lock	7	16	1	71-4410	Spacer, thick	4	3	4
3296-39	Nut - Lock	8	25	4	71-4411	Spacer, thin	4	10	4
3296-39	Nut - Lock	9	13	6	72-4320	Switch - Ball	15	34	1
3296-4	Nut - Lock	7	14	1	74-0720	Manual Tube	1	28	1
3296-42	Nut - Lock	6	15	1	74-9100	Pad - Forward	6	1	1
3296-42	Nut - Lock	8	17	4	74-9110	Pad - Reverse	6	2	1
3296-42	Nut - Lock	14	18	8	75-5470	Spacer	7	6	1
3296-42	Nut - Lock	16	19	5	76-8640	Stud - Traction	7	10	1
3296-42	Nut - Lock	17	4	1	80-7400	Lever	14	14	2
3296-45	Nut - Lock	9	17	1	80-9350	Plate - Hot Surface	2	18	1
3296-48	Nut - Lock	8	23	4	82-4600	Decal - Hydro Drive	23	2	2
3296-48	Nut - Lock	10	4	2	84-2000	Bracket - Brake	14	17	2
3296-53	Nut - Lock	10	26	2	85-6540	Stud - Drive	14	8	8
3296-53	Nut - Lock	12	20	1	85-8300	Lever - Pump	7	17	1
3296-53	Nut - Lock	21	3	4	85-8460	Switch Arm Assembly	7	5	1
3296-77	Nut - Lock	8	10	2	85-8461	Switch Arm WA	7	*	1
3296-9	Nut - Lock	7	20	2	85-8860	Decal - Eccentric Bolt	7	21	1
33-4380	Hub - Pump	4	9	1	85-8930	Retainer - Boot	13	27	1
33103-012	Screw - Flange, Hex Hd.	2	15	2	85-9030	Spring - Extension	7	12	1
33104-020	Screw - Flange, Hex Hd.	2	20	1	85-9120	Spacer	7	8	1
340-17	Fitting - Hydraulic	22	11	4	85-9120	Spacer - Tilt Pivot	13	17	2
340-19	Tee - Hydraulic	22	14	2	85-9150	Plate - Switch	7	18	1
354-73	Fitting - Hydraulic, Barb	5	7	2	85-9200	Steering Knuckle	13	13	1
37-2690	Capacitor	16	17	1	85-9220	Shaft - Steering, Upper	13	14	1
43-8600	Spring - Compression	15	31	1	87-2710	Lever Brake	17	6	1
43-8610	Seat - Ball	15	32	1	87-3480	Bracket - Equalizer, Cable	17	9	1
43-8620	Guide - Switch	15	29	1	87-4710	Spacer - Parking, Brake	17	7	1
43-8860	Plunger - Switch	15	30	1	87-6020	Decal - Parking Brake	16	40	1
43-8870	Boot - Switch	15	26	1	87-6020	Decal - Parking Brake	24	8	1
43-9071	Switch - Limit	15	25	1	87-6620	Screw - Special	13	2	4
44-2230	Coupling - Rubber	4	7	4	87-8580	Light - Indicator	16	24	1
47-2890	Bushing	21	5	8	88-8950	Decal - Warning	23	3	2
49-2040	Screw - Flange Hex Hd.	7	2	3	88-8950	Decal - Warning	25	3	1

# PART NUMBER INDEX (Continued)

Part No.	Description	Pg. No.	Ref. No.	Qty.	Part No.	Description	Pg. No.	Ref. No.	Qty.
92-1180	Seat - Olympic	15	1	1	95-0302	Pulley	10	15	1
92-2344	Trunion	9	6	2	95-0303	Pulley	10	24	1
92-4372	R-Clamp	22	18	1	95-0309	Adjustment Arm WA	10	17	1
92-4676	Mount - Cable	6	10	1	95-0311	Tube - Pivot, Idler	10	27	1
92-4679	Plate - Hydrostat, Reinf.	3	7	1	95-0313	Link - Door, Lower	21	2	2
92-4694	Panel - Control	16	7	1	95-0315	Link - Lift, LH	21	10	1
92-4698	Mount - Cable, Brake	14	25	2	95-0316	Link - Door, Upper	21	8	2
92-4699	Cable - Traction	6	8	1	95-0319	Slide - Reel Plate, RH	8	24	1
92-6657	Steering Wheel - Soft Touch	13	29	1	95-0321	Rod - Spring	10	37	1
92-7905	Switch & Bracket Assembly	16	31	1	95-0322	Door Lift WA	21	17	1
92-9199	Motor - Hydraulic	14	19	2	95-0329	Cover - Top	16	13	1
95-0004	Shaft - Steering, Lower	13	9	1	95-0332	Idler Arm WA	10	30	1
95-0008	Wheel - Yoke WA	12	10	1	95-0334	Gauge - Vacuum	3	4	1
95-0009	Mount - Brake LH	17	2	1	95-0337	Stop - Belt	10	35	1
95-0010	Mount - Brake RH	17	1	1	95-0341	Deflector - Air	8	27	1
95-0013	Tank - Hydraulic	5	14	1	95-0347	Neutral Plate WA	7	1	1
95-0025	Cable - Brake, RH	14	28	1	95-0350	Belt	10	42	1
95-0043	Bushing	21	18	2	95-0351	Belt	10	43	1
95-0156	Pump - Variable, Sundstrand	3	2	1	95-0352	Bracket - Door, Lift RH	21	*	1
95-0165	Plate-Seat Front	1	6	1	95-0367	Pin - Stop, Belt	10	36	1
95-0170	Main Frame WA	1	1	1	95-0370	Decal - Throttle	16	32	1
95-0172	Mount - Battery	1	25	1	95-0370	Decal - Throttle	24	3	1
95-0175	Engine Assy - Kohler, 18hp	2	8	1	95-0371	Decal - Choke	16	33	1
95-0176	Slide	8	15	1	95-0371	Decal - Choke	24	4	1
95-0177	Tire - Tubeless	14	1	2	95-0377	Seat Plate WA	15	5	1
95-0179	Reel Lift Rod WA	9	12	1	95-0379	Bracket - Pivot, Seat	15	9	1
95-0186	Cap - End, Panel	16	6	2	95-0382	Bracket - Rest, Seat	15	16	1
95-0191	Bracket - Seat Spring	15	20	1	95-0383	Decal - Oil	16	23	1
95-0209	Spacer	10	25	1	95-0383	Decal - Oil Light	24	1	1
95-0210	Pulley	10	32	1	95-0384	Decal - Fuse	16	28	1
95-0212	Pulley	10	11	1	95-0384	Decal - Fuse	24	2	1
95-0214	Spacer	10	12	1	95-0385	Pivot - Lift, Lever	9	15	1
95-0215	Front Reel WA	8	2	1	95-0387	Decal - Operating Instructions	23	4	1
95-0217	Rear Reel WA	8	1	1	95-0388	Decal - Operating, Hopper	23	5	1
95-0225	Axle-Front	12	11	1	95-0389	Decal - Operation, Starting	16	39	1
95-0231	Hood - Screen	20	6	1	95-0389	Decal - Operation, Starting	24	9	1
95-0234	Deflector - Bottom Hopper	18	8	1	95-0390	Decal - Operation, Reels	16	38	1
95-0238	Hopper WA	18	1	1	95-0390	Decal - Operation, Reels	24	7	1
95-0240	Deflector - Top Hopper	18	3	1	95-0393	Link - Lift, RH	21	*	1
95-0247	Hinge - Door	20	3	4	95-0395	Access Cover Mount WA	1	2	1
95-0249	Door - Hopper WA	20	1	1	95-0398	Tread - Floorboard	23	6	1
95-0250	Hood WA	20	9	1	95-4702	Reel Lift Handle WA	9	18	1
95-0253	Screen - Clamp	20	7	1	95-4708	Traction Pedal WA	6	3	1
95-0263	Tube - Asm	22	7	1	95-4709	Bar - Support, Access Cover	1	16	2
95-0264	Tube - Asm	22	6	1	95-4714	Boot - Steering	13	28	1
95-0267	Mount - Oil Filter	5	4	1	95-4717	Floor Board Riser WA	1	10	1
95-0269	Plate - Cover	16	3	1	95-4721	Bushing - Straight	6	14	1
95-0272	Bushing - UHMW	9	5	4	95-4727	Clevis - Pedal, Traction	6	11	1
95-0274	Spring - Gas	21	12	2	95-4728	Clevis	6	13	1
95-0275	Ball - Stud	21	11	4	95-4729	Sprocket - Steering	12	8	1
95-0276	Bushing - Rubber	22	16	4	95-4730	Spacer - Sprocket	12	9	4
95-0277	Bracket - Tube	22	15	4	95-4731	U-Bolt	6	12	1
95-0281	Filter Head	5	5	1	95-4736	Shaft - Lever, Lift	13	19	1
95-0282	Harness - Wire	16	37	1	95-4737	Rod End - Lever, Lift	13	16	1
95-0286	Control Ass'y - Choke	16	16	1	95-4738	Sprocket - Adj, Tilt	13	20	1
95-0287	Cable - Brake, LH	14	*	1	95-4744	Steering Bracket WA	13	22	1
95-0293	Tire Ass'y	14	*	2	95-4744	Steering Bracket	13	*	1
95-0299	Pulley	10	19	1	95-4745	Steering Housing WA	13	4	1
95-0301	Bushing - Lock, Taper	10	18	1	95-4745	Steering Housing	13	*	1

# PART NUMBER INDEX (Continued)

Part No.	Description	Pg. No.	Ref. No.	Qty.	Part No.	Description	Pg. No.	Ref. No.	Qty.
95-4746	Steering Cover Ass'y	13	1	1	95-4798	Spring - Tilt	13	24	1
95-4750	Decal - Routing, Belt	25	5	1	95-4799	Spacer - Guard	11	49	2
95-4752	Reel Gate Ass'y	9	1	1	95-4800	All Thread	10	5	2
95-4753	Hose - Hydraulic	22	10	4	95-4801	Fuel Line	2	19	1
95-4754	Hose - Hydraulic	3	11	1	95-4801	Hose - Fuel	5	26	1
95-4754	Hose - Hydraulic	22	2	1	95-4802	Skirt - Rubber	19	7	1
95-4755	Hose - Hydraulic	3	12	1	95-4803	Bar - Reinforcement	19	8	1
95-4755	Hose - Hydraulic	22	1	1	95-4808	Traction Pin WA	6	5	1
95-4761	Stop - Steering	1	20	1	95-4813	Bushing	13	10	1
95-4763	Adjuster - Seat	15	2	1	95-4814	Baffle - Hopper Inlet, Upper	18	5	1
95-4764	Adjuster - Seat, Handle	15	3	1	95-4815	Baffle - Hopper Inlet, Lower	18	6	1
95-4765	Plug - Hole	16	25	4	95-4816	Control Ass'y - Throttle	16	15	1
95-4766	Fuel Cap Ass'y	5	9	1	95-4817	Guide - Belt	10	21	1
95-4767	Bracket - Door, Lift LH	21	7	1	95-4818	Filter Head Asm	5	*	1
95-4768	Sleeve - Tube, Pivot	8	6	2	95-4821	Rod End	8	19	2
95-4769	Knob - Clamping	21	22	1	95-4822	All Thread	8	20	2
95-4770	Latch - Draw, Flexible	1	12	2	95-4824	Fitting, 45	2	13	1
95-4772	Access Cover Assy	16	12	1	95-4825	Spring - Idler	10	38	1
95-4773	Belt - Retainer Assy	10	8	1	95-4826	Sprocket - Steering	13	7	1
95-4774	Tube - Drain, Case	5	22	1	95-4827	Cable - Pos.	2	26	1
95-4775	Hose - Hydraulic	3	10	1	95-4828	Cable - Neg.	2	27	1
95-4775	Hose - Hydraulic	5	24	1	95-4829	Plate - Reinforcement	20	11	4
95-4776	Hose - Hydraulic	5	23	1	95-4833	Edging - Rubber	1	19	1
95-4777	Hose - Hydraulic	5	21	1	95-4844	Washer - Spring Steel	9	26	2
95-4778	Fitting - Hydraulic, Barb	3	3	1	95-4845	Washer - 10ga.	9	9	1
95-4779	Fitting - Hydraulic	5	19	1	95-4848	Pulley	11	51	1
95-4781	PL - Sup., Hopper Str.	21	13	2	95-4850	Cover - Tank, Gas	2	3	1
95-4782	Bushing	9	8	2	95-4851	Reel Plate Ass'y, RH	8	26	1
95-4784	Plate - Stop, Linkage	1	29	1	95-4852	Reel Plate WA, LH	8	8	1
95-4788	Sponge - Neoprene	19	5	1	95-4853	Guard - Belt, Lower	10	10	1
95-4789	Sponge - Neoprene	5	11	2	95-4854	Guard - Belt	10	7	1
95-4791	Clamp - Twin	22	12	1	95-4855	Guard - Hydrostat	1	9	1
95-4792	Plate - Clamp	22	13	1	95-4856	Guard - Heat	2	16	1
95-4793	Plate - Clamp	22	8	1	95-4857	Bolt - Shoulder	21	6	8
95-4794	Clamp - Twin	22	5	1	95-4858	Fuse, 5A	16	42	1
95-4795	Plate - Clamp	22	3	1	95-4859	Cap - Hydraulic	5	29	1
95-4796	Chain w/Master Link	12	16	1	95-4860	Hose - Fuel	5	27	1
95-4797	Exhaust - Outlet, 90	2	*	1					



## PRODUCT CHANGES

In an effort to make improvements available to TORO owners as quickly as possible minor changes are incorporated into Toro's products from time to time that do not become immediately shown in the Parts Catalog. If such a change has been made in your unit which is not reflected in your manual see your TORO Distributor or an Authorized Service Dealer for information and part numbers.

## IDENTIFICATION & ORDERING

### MODEL AND NUMBERS

The Turf Sweeper 4800 has two identification numbers; a model number and a serial number. The two numbers are stamped on a plate which is located on the main frame. In any correspondence concerning the Turf Sweeper 4800, supply model and serial numbers to assure that correct information and replacement parts are obtained.

To order replacement parts from your TORO Distributor or an Authorized Service Dealer, supply the following information:

1. Model and serial number of the unit.
2. Part number description and the quantity of part (s) desired.

**NOTE:** Do not order by reference number if a parts catalog is being used: use the PART NUMBER.

## TABLE OF CONTENTS

Description	Page	Description	Page
Main Frame Assembly .....	1	Seat Assembly .....	15
Engine Mounting .....	2	Control Panel Assembly .....	16
Pump Assembly .....	3	Parking Brake Assembly .....	17
Dive Shaft - Pump .....	4	Hopper Assembly .....	18
Hydraulic Reservoir & Fuel Tank .....	5	Hopper Mounting .....	19
Traction Control .....	6	Door Assembly .....	20
Neutral Return Assembly .....	7	Door Lift Assembly .....	21
Reel Assembly .....	8	Hydraulic Tubes & Hoses .....	22
Reel Lift Assembly .....	9	Decals .....	23 - 25
Belt Drive Assembly .....	10 - 11	Hydraulic Schematic .....	26
Yoke Assembly .....	12	Electrical Schematic .....	27
Tilt Assembly .....	13	Part Number Index .....	28 - 32
Wheel & Brake Assembly .....	14		

# NOTES

**NOTES**



