



Count on it.

Parts Catalog

Groundsmaster® 7200

**Traction Unit with 72in Side Discharge
Mower**

Model No. 30360—Serial No. 313000001 and Up



Ordering Replacement Parts

To order replacement parts, please supply the part number, the quantity, and the description of each part desired.

Understanding Reference Numbers

Each identified part in an illustration has a reference number. The reference number for a part also appears in the parts list, along with other information about the part.

This catalog uses two special reference number formats, one to indicate parts in a service assembly and another to indicate the quantity of a given part in an illustration.

Service Assembly Reference Numbers

Parts in service assemblies have reference numbers in the form a:b. The a represents the reference number of the entire service assembly and the b represents a sequential number unique to each part within the service assembly.

For example, a wheel assembly might be identified by reference number 6, the tire by 6:1, the valve by 6:2, and the wheel by 6:3. When you order the assembly identified by reference number 6, you receive all parts identified by reference numbers 6:1, 6:2, and 6:3. However, you may also order any part individually. Reference numbers of this type appear in illustration and in parts lists.

Reference Numbers Indicating Quantity

In an illustration, if a reference number indicates more than one part, the reference number has the form nX y. The n represents the quantity of the part, the X is the multiplication symbol, and the y represents the reference number.

For example, in an illustration, the reference number 2X 37 means that two of the parts identified by reference number 37 are indicated.

List of Abbreviations

AR: as required

ASM: assembly

BBC: blade brake control

BHTF: button head thread forming

CARR: carriage

CCW: counter clockwise

CW: clockwise

DEG: degrees

DPA: Dual Point Adjustment

ECM: electronic control module

EXT: external

FH: flat head

GA: gauge

HD: heavy-duty

HF: hex flange

HH: hex head

HHF: hex head flange

HHFTF: hex head flange thread forming

HJ: hex jam

HLH: hex lag head

HOC: height-of-cut

HSBH: hex socket button head

HSFH: hex socket flat head

HSH: hex socket head

HWH: hex washer head

HWHTF: hex washer head thread forming

HYD: hydraulic

LH: left hand

LP: Liquefied Petroleum Gas

LPG: Liquefied Petroleum Gas

NI: nylon insert

NPTF: national pipe thread fine

PFH: phillips flat head

PPH: phillips pan head

PPHTF: phillips pan head thread forming

PRH: phillips round head

PTH: phillips truss head

PTO: power-take-off

RH: right hand

ROPS: roll-over protection system

RRB: rear roller brush

SFH: slotted fillister head

SHH: slotted hex head

SHWH: slotted hex washer head

SPH: slotted pan head

SQH: square head

SRH: slotted round head

STD: standard

TAP: self tapping

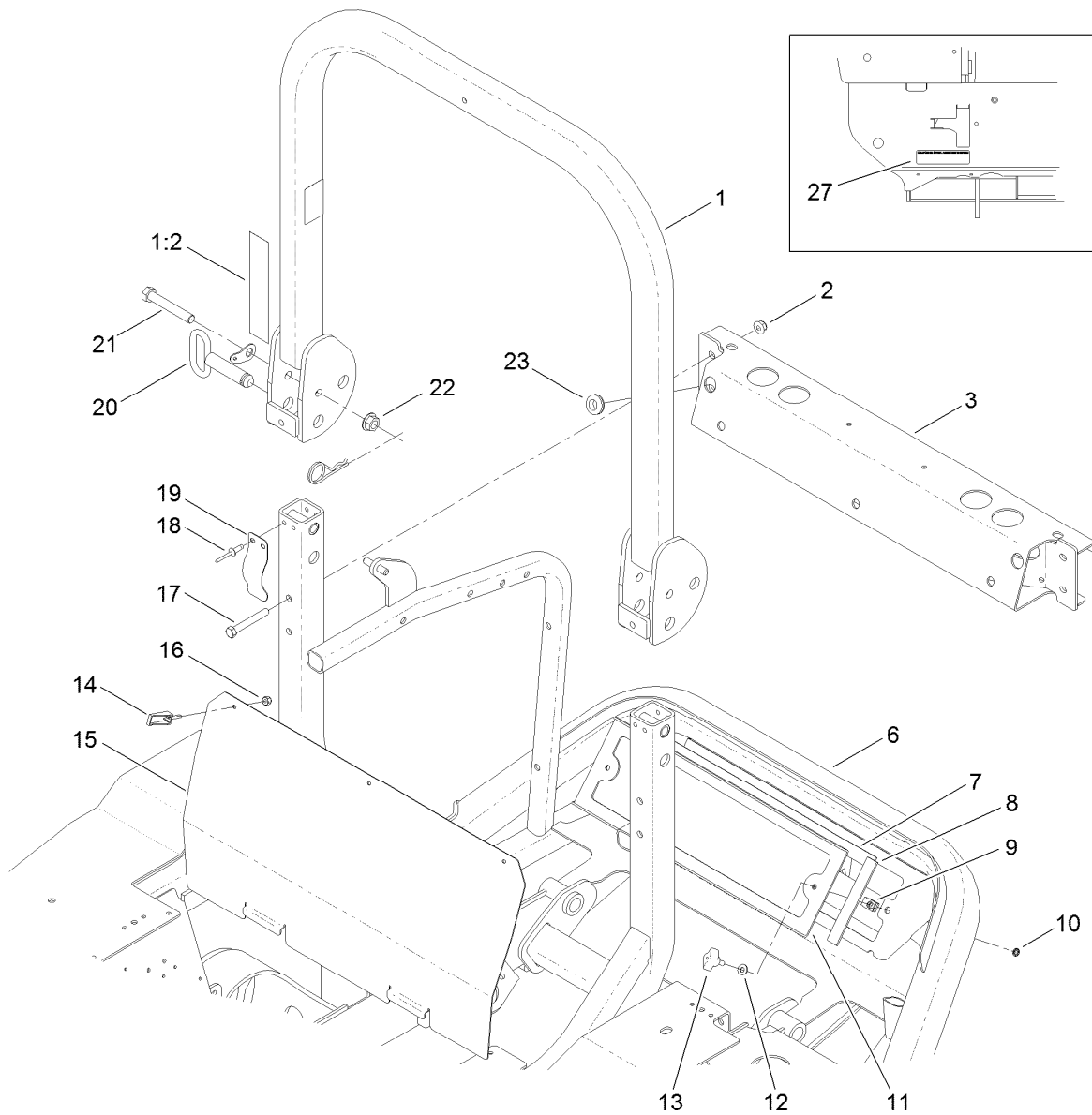
TTH: torx truss head

Contents

Rear Frame Assembly	5
Engine Assembly	6
Transmission and Gear Pump Assembly	7
Charge Pump Housing Assembly Transmission Assembly No. 121-3370	8
Center Section Assembly Transmission Assembly No. 121-3370	9
Gear Case and Clutch Assembly Transmission Assembly No. 121-3370	10
Driveshaft Assembly No. 110-3575	11
Hydraulic Gear Pump Assembly No. 112-9542	12
Wheel Hub and Wheel Assembly	13
Hydraulic Motor Assembly No. 108-5155	14
Hydraulic Motor Assembly No. 108-5230	15
LH Brake Caliper Assembly No. 120-0013	16
RH Brake Caliper Assembly No. 120-0014	17
Brake Handle Assembly	18
Radiator and Oil Cooler Assembly	19
Traction Control Assembly	20
Link Assembly No. 112-5099	21
RH Lever Assembly No. 125-2687	22
Control Panel Assembly	23
Left-Hand and Right-Hand Fuel Tank Assembly	24
LH Fuel Tank Assembly No. 110-8230	25
RH Fuel Tank Assembly No. 110-8236	26
Fuel Filter / Separator Assembly	27
Hood and Screen Assembly	28
Seat and Seat-Plate Assembly	29
Seat Assembly No. 107-2286	30
Floorplate and Carrier Frame Assembly	31
Carrier Frame Assembly No. 121-3356	32
Lift Valve Assembly	33
Deck Lift Valve Assembly No. 115-0356	34
Hydraulic Cylinder Assembly No. 110-9834	35
Castor Wheel Assembly	36
Caster Wheel Assembly No. 108-9954	37
Deck Lift Assembly	38
Electrical Assembly	39
Transmission and Oil Cooler Hydraulic Assembly	40
Hydraulic Reservoir Assembly	41
Hydraulic Reservoir Assembly No. 110-8237	42
Air Cleaner and Hose Assembly	43
Air Cleaner Assembly No. 104-3428	44
Deck, Spindle, Blade, Belt and Pulley Assembly	45
Deck Decal Assembly No. 108-9901	46
Spindle Assembly No. 119-4778	47
High Spindle Assembly No. 117-9233	48
Double Driven Spindle Assembly No. 117-9234	49
Roller and Baffle Assembly	50
Belt Cover, Gearbox and Baffle Assembly	51
Rubber Deflector Assembly No. 108-2792	52
Gearbox Assembly No. 117-9245-03	53
Adjustment Link and Bumper Assembly	54
Crankcase Assembly	55
Dipstick, Guide and Oil Pump Assembly	56
Cylinder Head Assembly	57
Cylinder Head Cover Assembly	58

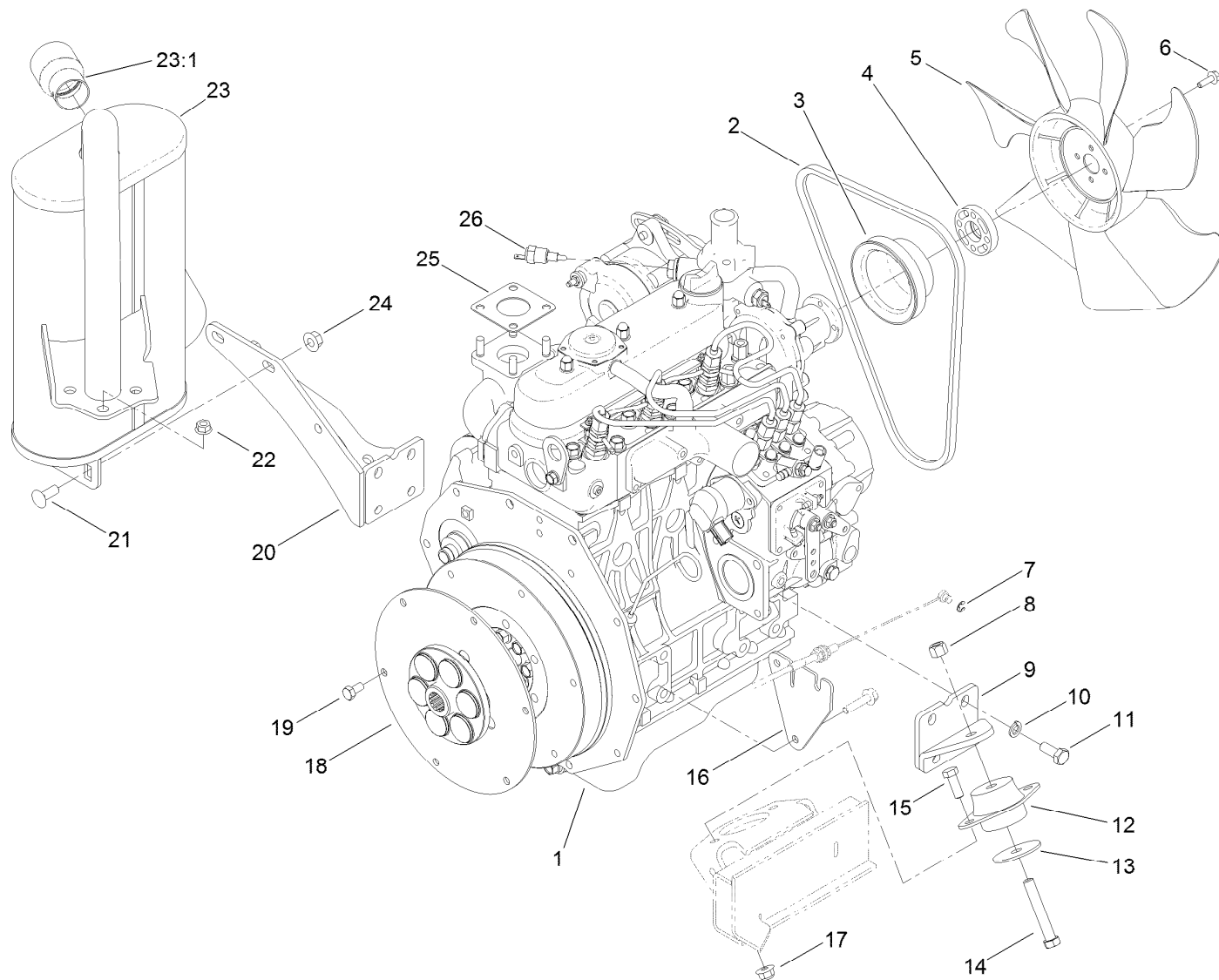
Contents (continued)

Gear Case and Oil Filter Cartridge Assembly	59
Main Bearing Case Assembly	60
Camshaft and Idle Gear Shaft Assembly	61
Piston and Crankshaft Assembly	62
Flywheel Assembly	63
Fuel Camshaft and Governor Shaft Assembly	64
Idle Apparatus and Stop Solenoid Assembly	65
Injection Pump Assembly	66
Governor Assembly	67
Speed Control Plate Assembly	68
Nozzle Holder and Glow Plug Assembly	69
Nozzle Holder Assembly	70
Alternator and Pulley Assembly	71
Alternator Components Assembly	72
Starter (Component Part) Assembly	73
Water Flange and Thermostat Assembly	74
Water Pump and Fuel Pump Cover Assembly	75
Inlet and Exhaust Manifold Assembly	76
Valve and Rocker Arm Assembly	77
Upper Gasket Kit	78
Lower Gasket Kit	79
Miscellaneous Engine Parts	80
Attachments and Accessories	81



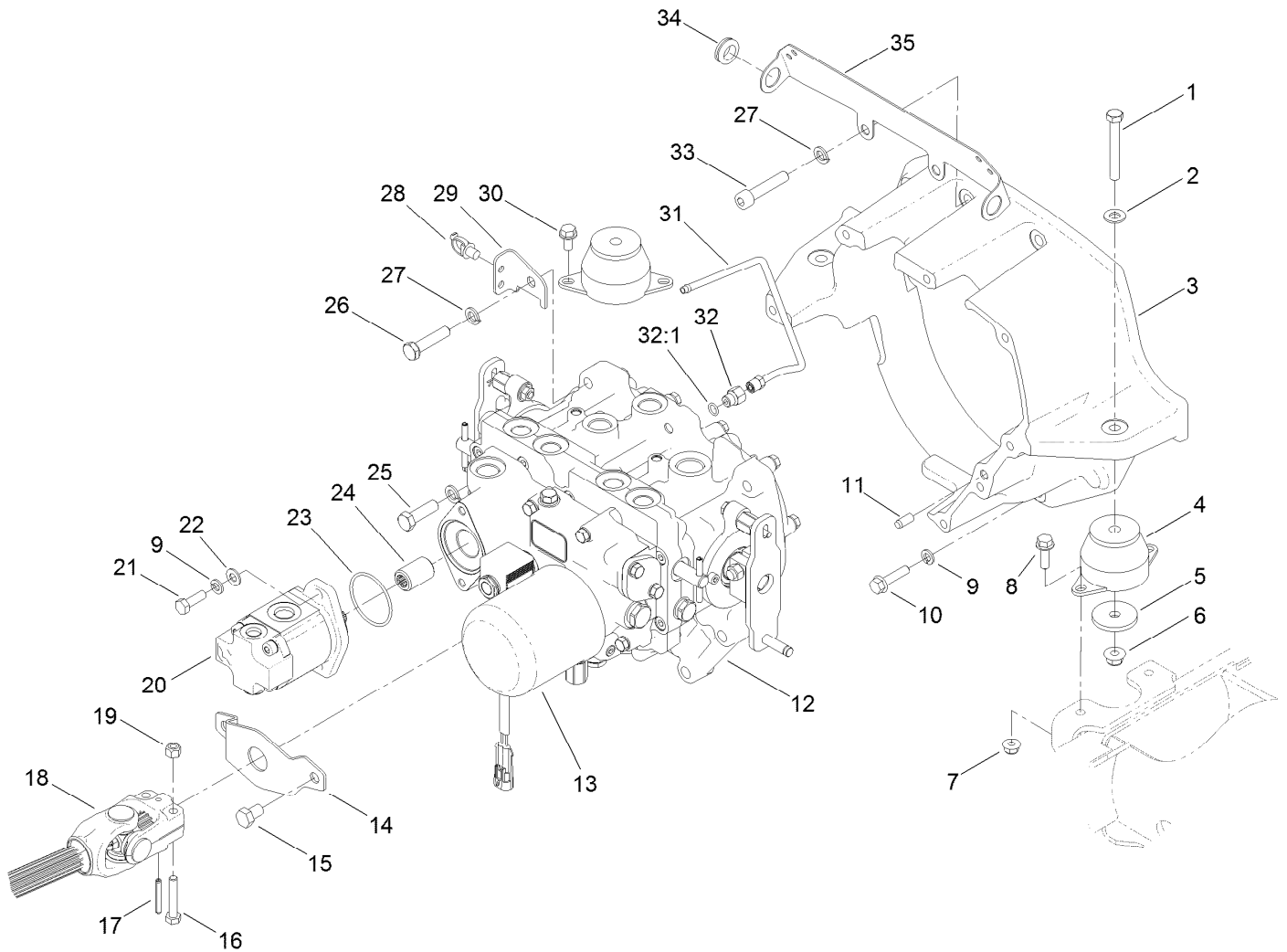
Rear Frame Assembly

<i>Ref.</i>	<i>Part Number</i>	<i>Qty.</i>	<i>Description</i>	<i>Ref.</i>	<i>Part Number</i>	<i>Qty.</i>	<i>Description</i>
1	110-9770	1	Upper ROPS ASM	13	98-8332	2	Knob
1:2	107-3069	1	Decal-Warning, Folding ROPS	14	74-5950	3	Latch-Swell
2	104-8301	4	Nut-Flange, NI	15	125-2718-03	1	Panel-Rear
3	125-2720-03	1	Crossmember	16	1-804254	3	Nut-Lock, HH
6	125-2714-03	1	Frame-Rear	17	323-13	4	Screw-HH
7	120-0019	2	Strip-Foam	18	3290-412	4	Rivet
8	120-0017	2	Strip-Foam	19	110-5696	2	Spring-Leaf
9	107069	2	Clip	20	103-4553	2	ROPS Fold Pin ASM
10	32151-106	2	Ring-Retaining	21	112-7264	2	Screw-HH
11	112-6384-03	1	Screen	22	32128-23	2	Nut-HF
12	3256-22	2	Washer-Flat	23	237-124	2	Grommet
				27	117-2718	1	Decal-Arrester, Spark



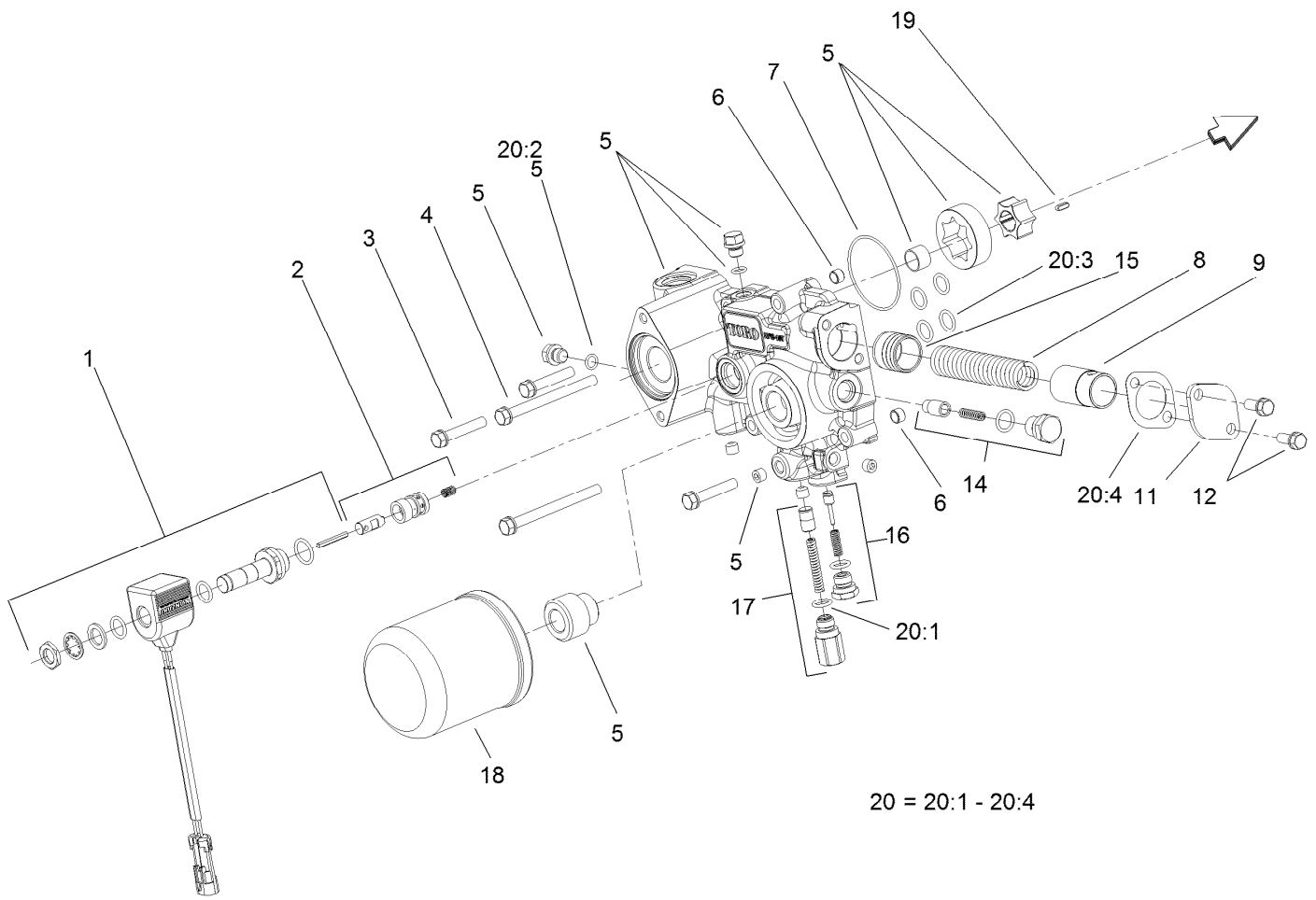
Engine Assembly

<i>Ref.</i>	<i>Part Number</i>	<i>Qty.</i>	<i>Description</i>	<i>Ref.</i>	<i>Part Number</i>	<i>Qty.</i>	<i>Description</i>
1	114-5093	1	Engine-Kubota, D1105-E3B-Toro-5	14	324-11	2	Screw-HH
2	98-9676	1	V-Belt	15	323-6	4	Screw-HH
3	98-9584	1	Pulley-Fan	16	114-4060	1	Bracket-Throttle
4	108-2872	1	Collar-Fan	17	104-8301	4	Nut-Flange, NI
5	104-4246	1	Fan-Engine	18	110-9729	1	Flywheel Coupling ASM
6	33103-020	4	Screw-HHF	19	99-5132	6	Bolt
7	701197	1	E-Ring	20	108-9926-03	1	Bracket-Muffer
8	3296-48	2	Nut-Lock, NI	21	3231-22	2	Screw-CARR
9	105-7235-03	1	Mount-Rear	22	33004-00	4	Nut-HF
10	48-9590	8	Washer-Lock	23	105-7230	1	Muffer
11	43-0090	8	Screw-HH	23:1	112-1688	1	Spark Arrestor Kit
12	53-9681	2	Mount-Engine	24	32128-29	2	Nut-Lock, Flange
13	87-5100	2	Washer-Snubbing	25	99-8343	1	Gasket-Muffer
				26	98-9719	1	Thermoswitch



Transmission and Gear Pump Assembly

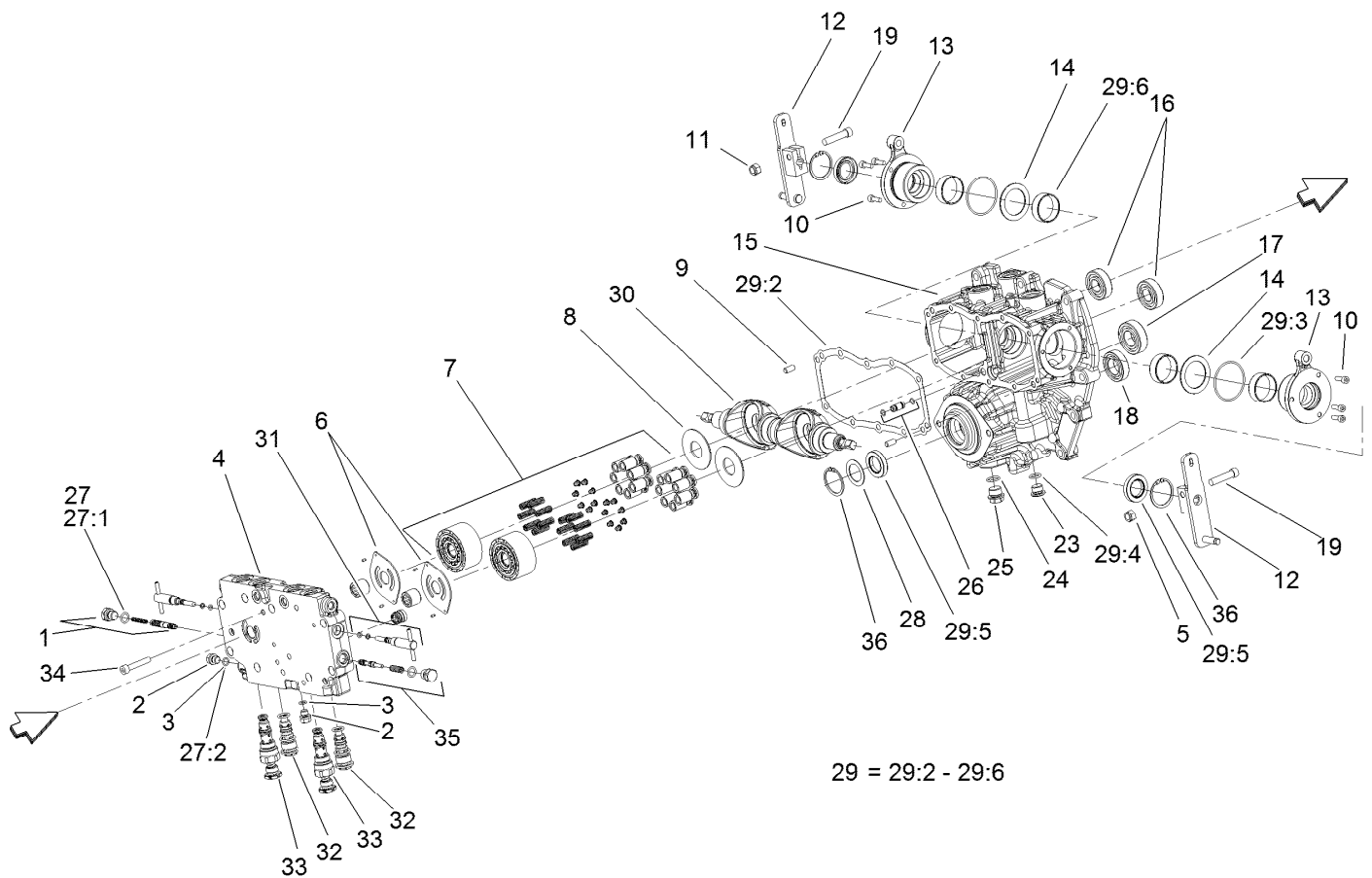
Ref.	Part Number	Qty.	Description	Ref.	Part Number	Qty.	Description
1	323-13	2	Screw-HH	19	3296-29	4	Nut-Lock, NI
2	3256-24	2	Washer-Flat	20	112-9542	1	Pump-Gear
3	108-5193	1	Housing-Flywheel	21	33114-025	2	Screw-HH
4	107-2289	2	Mount-Motor	22	3256-23	2	Washer-Flat
5	80-8560	2	Washer-Hardened	23	108-9919	1	O-Ring
6	104-8301	2	Nut-Flange, NI	24	108-9920	1	Coupler-Spline, 9T
7	104-8300	2	Nut-Flange, NI	25	33115-035	1	Screw-HH
8	3234-17	2	Screw-HHF	26	33115-045	6	Screw-HH
9	3253-4	10	Washer-Lock	27	48-9590	9	Washer-Lock
10	33104-035	8	Screw-HHF	28	32180-030	1	Clip-Tie
11	87-1910	4	Pin-Dowel	29	120-0239	1	Support-Tube
12	121-3370	1	Transmission	30	32144-14	2	Screw-HWHTF
13	108-5194	1	Filter-Oil, HYD	31	110-5537	1	Tube ASM
14	114-4088	1	Shield-Seal	32	110-5536	1	Fitting-HYD, Adapter
15	33115-016	2	Screw-HH	32:1	237-78	1	O-Ring
16	322-9	4	Screw-HH	33	3274-106	2	Screw-HSH
17	32121-34	2	Pin-Roll	34	99-3481	2	Grommet
18	110-3575	1	Driveshaft	35	125-2716-03	1	Bracket-Wire



Charge Pump Housing Assembly Transmission Assembly No. 121-3370

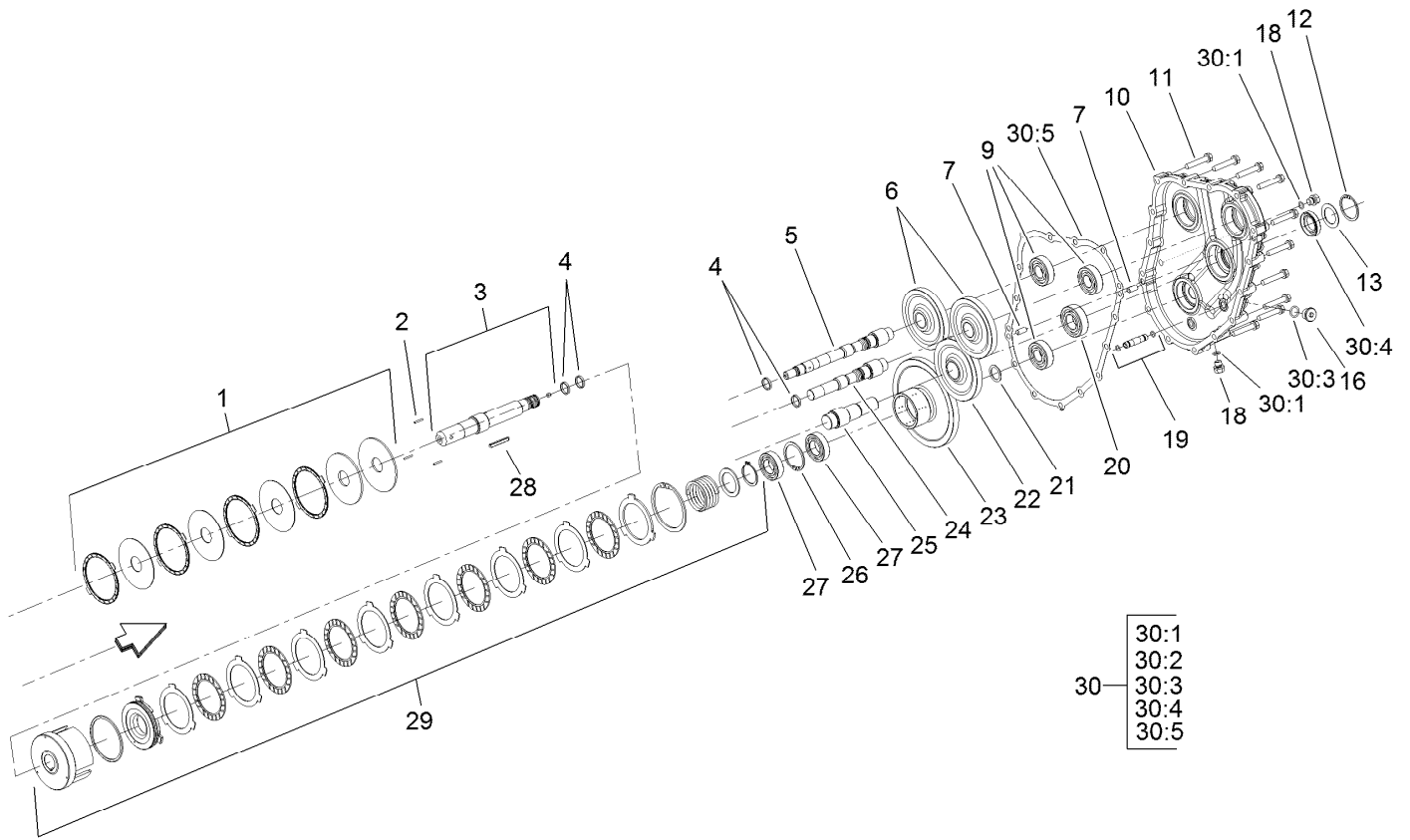
<i>Ref.</i>	<i>Part Number</i>	<i>Qty.</i>	<i>Description</i>
1	107-0851	1	Solenoid ASM
2	107-0850	1	Solenoid Valve ASM
3	107-0863	3	Bolt
4	107-0864	2	Bolt
5	107-0840	1	Pump Body ASM
6	107-0848	2	Pin
7	107-0856	1	O-Ring
8	107-0845	1	Spring
9	107-0844	1	Collar
11	107-0846	1	Cover
12	93-0457	2	Bolt And Washer ASM

<i>Ref.</i>	<i>Part Number</i>	<i>Qty.</i>	<i>Description</i>
14	107-0843	1	Filter Bypass Valve ASM
15	107-0818	1	Piston
16	107-0842	1	Charge Relief Valve ASM
17	107-0841	1	Pressure Valve ASM
18	108-5194	1	Filter-Oil, HYD
19	107-0865	1	Key
20	107-0855	1	Charge Pump Seal Kit
20:1	93-0418	2	O-Ring
20:2	107-0817	2	O Ring-Plug
20:3	104-3298	6	Packing
20:4	107-0847	1	Gasket



Center Section Assembly Transmission Assembly No. 121-3370

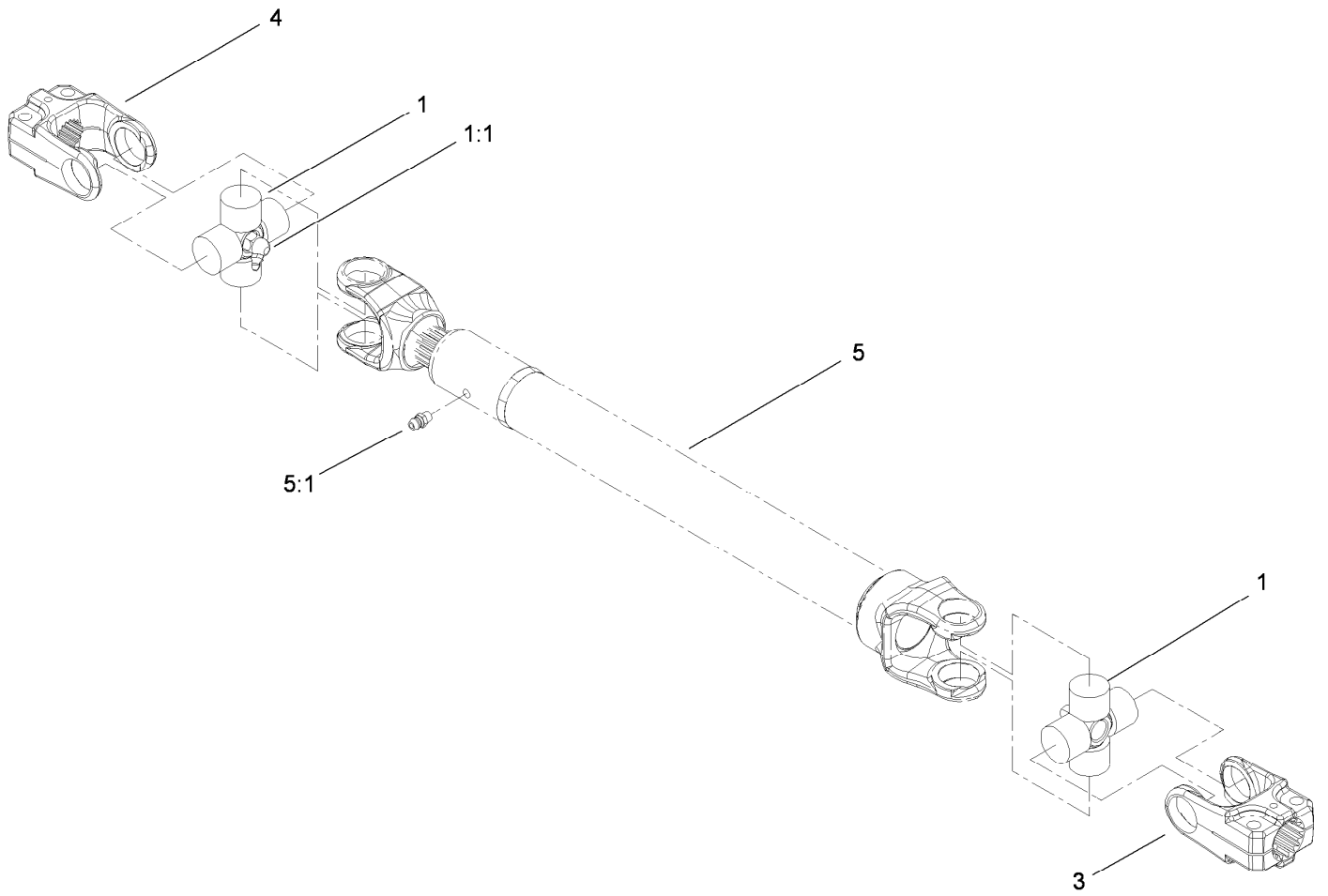
<i>Ref.</i>	<i>Part Number</i>	<i>Qty.</i>	<i>Description</i>	<i>Ref.</i>	<i>Part Number</i>	<i>Qty.</i>	<i>Description</i>
1	107-0807	1	Valve-Flushing, RH	24	107-0862	1	O-Ring
2	107-0857	2	Plug	25	107-0867	1	Plug
3	107-0817	2	O Ring-Plug	26	107-0812	1	Pipe
4	121-3377	1	Center Case, Complete	27	107-0852	1	Center Case Seal Kit
5	107-0858	1	U-Nut	27:1	93-0418	2	O-Ring
6	107-0805	2	Plate-Valve	27:2	107-0817	6	O Ring-Plug
7	107-0824	2	Cylinder Block ASM	28	107-0813	1	Spacer
8	107-0830	2	Plate-Thrust	29	107-0853	1	Pump Housing Seal Kit
9	92-0765	4	Pin-Parallel	29:2	107-0810	1	Gasket-Case, Center
10	107-0859	6	Bolt	29:3	107-0817	2	O Ring-Plug
11	120-6681	2	U-Nut	29:4	104-3298	1	Packing
12	120-6680	2	Arm-Control	29:5	107-0814	3	Seal
13	107-0832	2	Side Cover ASM	29:6	107-0825	4	Ring-Seal
14	107-0829	2	Washer	30	120-6679	2	Plate-Swash
15	120-5151	1	Pump Housing ASM	31	107-0808	2	Valve-Bypass
16	107-0826	2	Bearing	32	121-3378	2	Check Valve-Rear
17	107-0821	1	Bearing	33	107-0803	2	Valve-Front
18	107-0838	1	Bearing	34	107-0863	8	Bolt
19	120-6682	2	Bolt (10 X 40)	35	107-0806	1	Valve-Flushing, LH
23	107-0861	1	Plug-NPTF	36	92-0757	2	Ring-Snap



Gear Case and Clutch Assembly Transmission Assembly No. 121-3370

<i>Ref.</i>	<i>Part Number</i>	<i>Qty.</i>	<i>Description</i>	<i>Ref.</i>	<i>Part Number</i>	<i>Qty.</i>	<i>Description</i>
1	107-0839	1	PTO Brake ASM	21	107-0836	1	Spacer
2	107-0837	3	Rod-Push	22	107-0820	1	Gear-Input
3	107-0833	1	PTO Shaft ASM	23	107-0834	1	Gear-PTO
4	107-0825	2	Ring-Seal	24	107-0822	1	Shaft-Pump
5	107-0827	1	Shaft-Pump	25	107-0819	1	Shaft-Input
6	107-0823	2	Gear-Pump	26	92-0758	1	Ring-Snap
7	92-0765	4	Pin-Parallel	27	107-0838	3	Bearing
9	107-0826	4	Bearing	28	107-0866	1	Key
10	120-5152	1	Housing-Case, Gear	29	107-0835	1	Clutch Cylinder ASM
11	107-0863	13	Bolt	30	107-0854	1	Gear Housing Seal Kit
12	92-0757	1	Ring-Snap	30:1	107-0817	2	O Ring-Plug
13	107-0813	1	Spacer	30:2		2	O-Ring ●
16	107-0861	1	Plug-NPTF	30:3	104-3298	1	Packing
18	107-0857	6	Plug	30:4	107-0814	1	Seal
19	107-0811	1	Pipe	30:5	107-0816	1	Gasket-Housing, Gear
20	107-0821	2	Bearing				

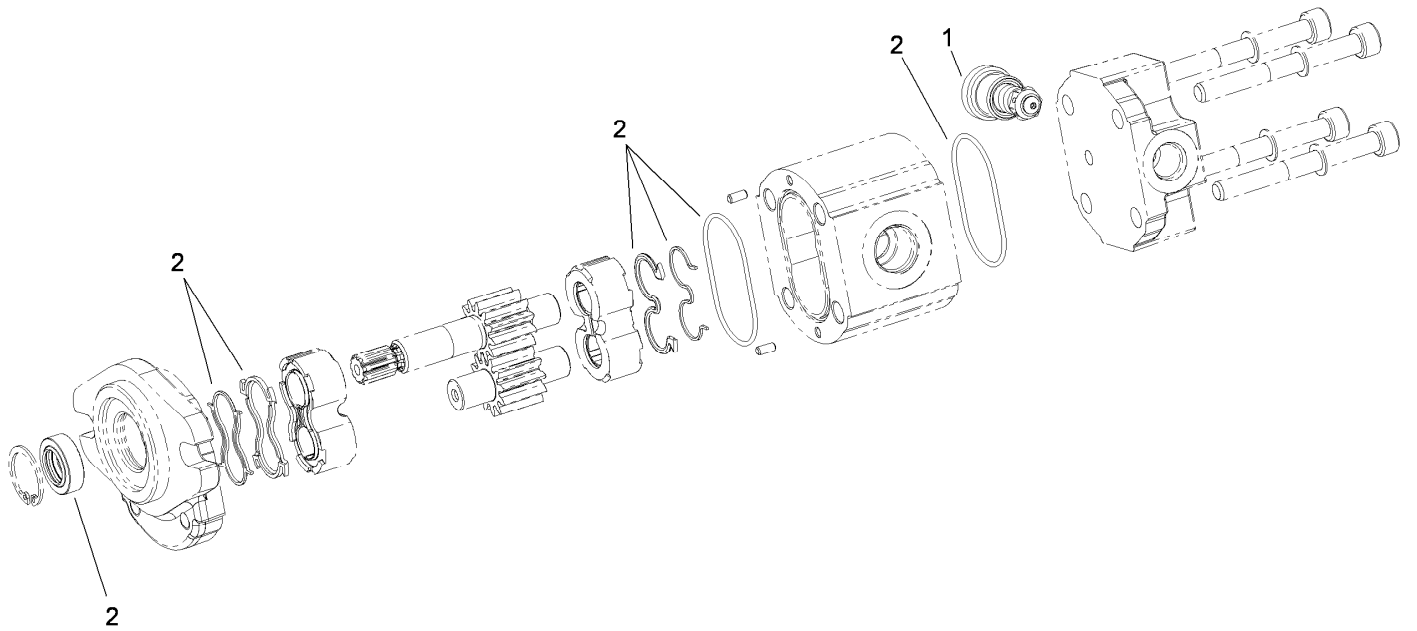
● Not serviced separately



Driveshaft Assembly No. 110-3575

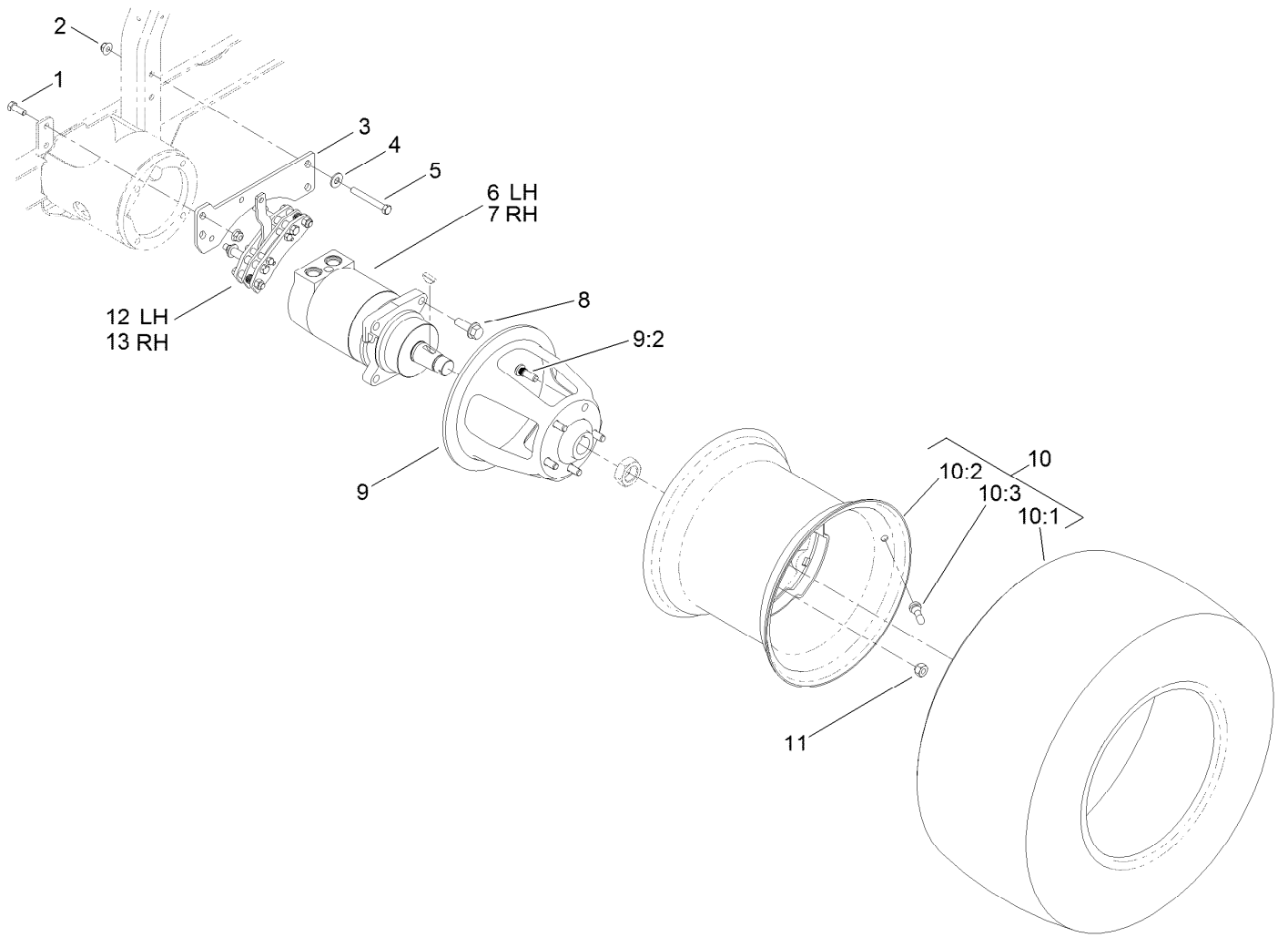
<i>Ref.</i>	<i>Part Number</i>	<i>Qty.</i>	<i>Description</i>
1	112-1687	2	Cross And Bearing Kit
1:1	62-3820	1	Fitting-Grease
3	54-9040	1	Yoke-End
4	54-9090	1	Yoke-End
5		1	Tube-Yoke, Slip ●
5:1	302-22	1	Fitting-Grease

● Not serviced separately



Hydraulic Gear Pump Assembly No. 112-9542

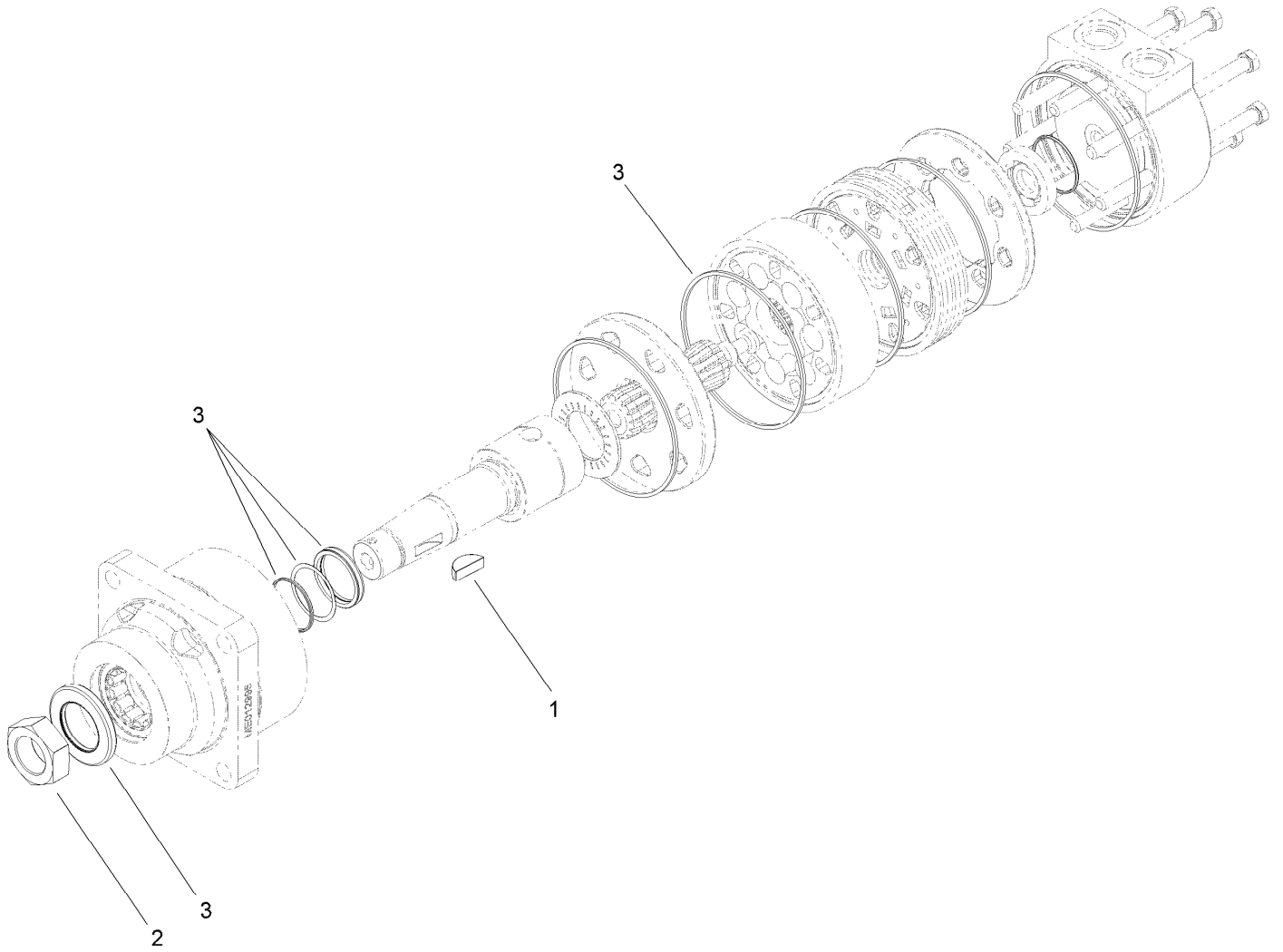
<i>Ref.</i>	<i>Part Number</i>	<i>Qty.</i>	<i>Description</i>
1	112-0198	1	Valve
2	112-0199	1	Seal Kit



Wheel Hub and Wheel Assembly

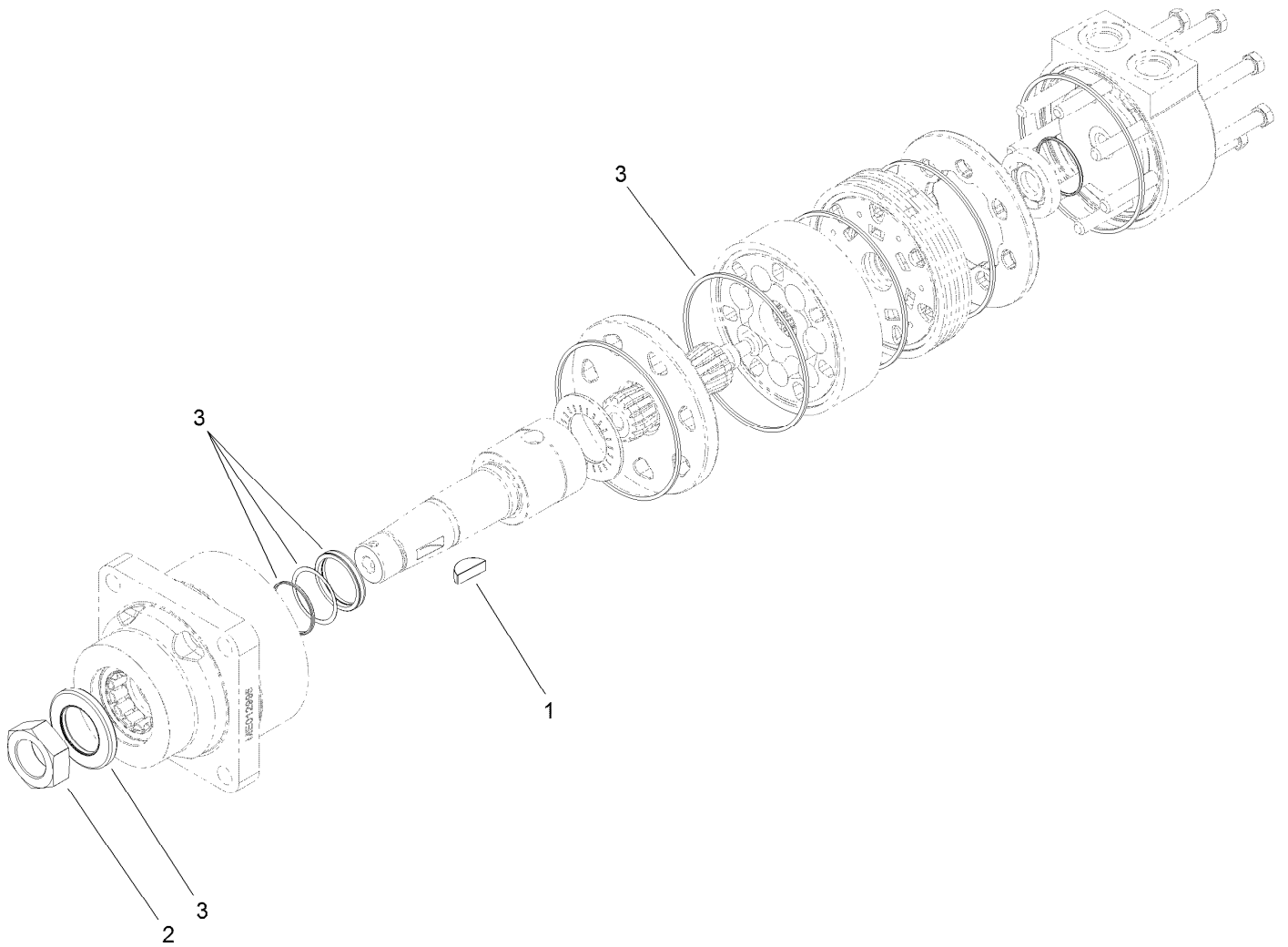
Ref.	Part Number	Qty.	Description
1	323-6	4	Screw-HH
2	104-8301	8	Nut-Flange, NI
3	112-9550-03	2	Bracket-Brake
4	3256-4	4	Washer-Flat
5	323-14	4	Screw-HH
6	108-5155	1	LH HYD Motor ASM
7	108-5230	1	RH HYD Motor ASM
8	100-6116	8	Screw-HHF
9	110-5535	2	Wheel Hub ASM

Ref.	Part Number	Qty.	Description
9:2	87-8730	5	Stud
10	106-7864	2	Tire And Wheel ASM
10:1	106-7868	1	Tire
10:2	87-6750	1	Wheel
10:3	232-27	1	Stem-Valve
11	23-7270	10	Nut-Wheel
12	120-0013	1	LH Brake Caliper ASM
13	120-0014	1	RH Brake Caliper ASM



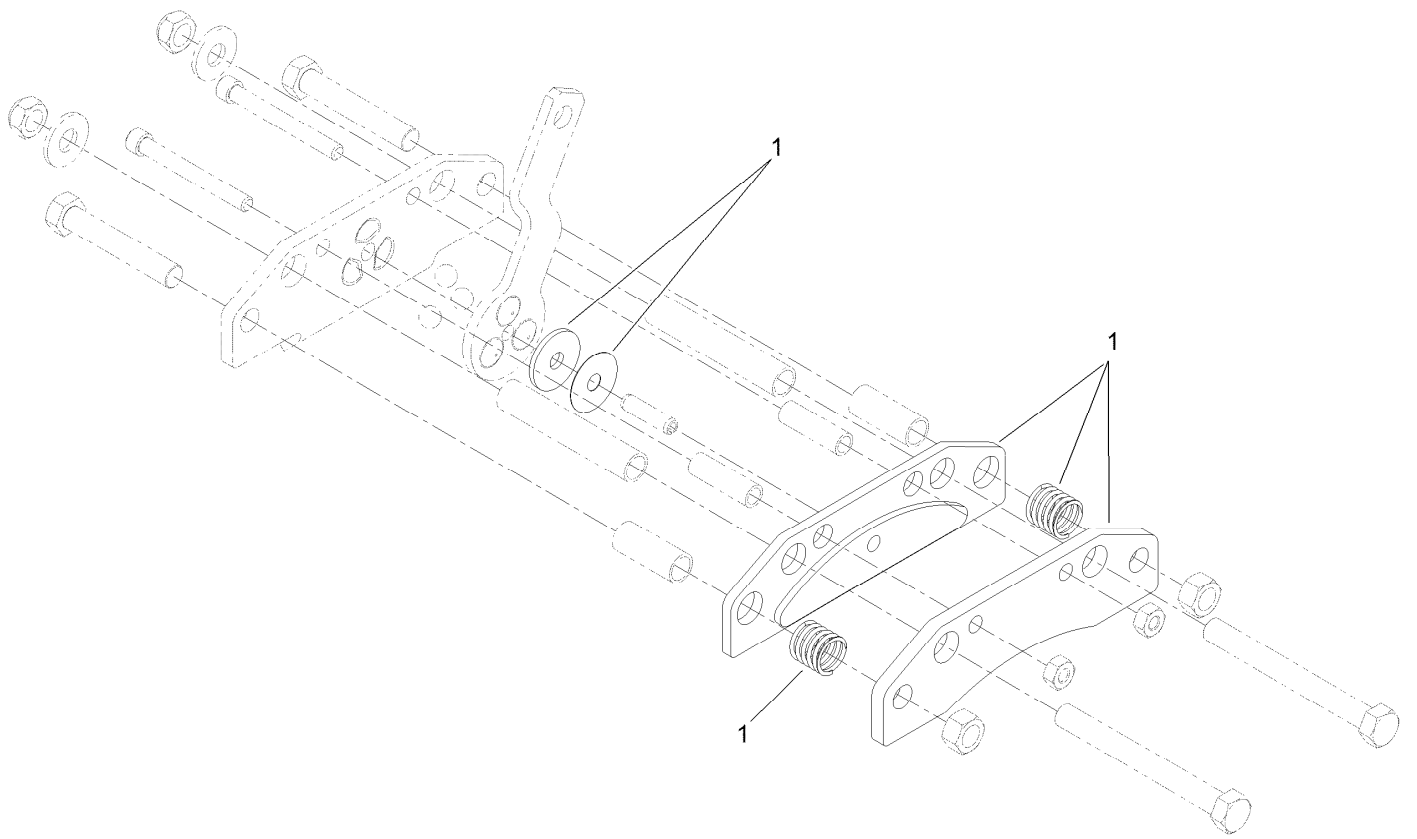
Hydraulic Motor Assembly No. 108-5155

<i>Ref.</i>	<i>Part Number</i>	<i>Qty.</i>	<i>Description</i>
1	3257-42	1	Key-Woodruff
2	107-9319	1	Nut-Hex
3	112-8405	1	Seal Kit



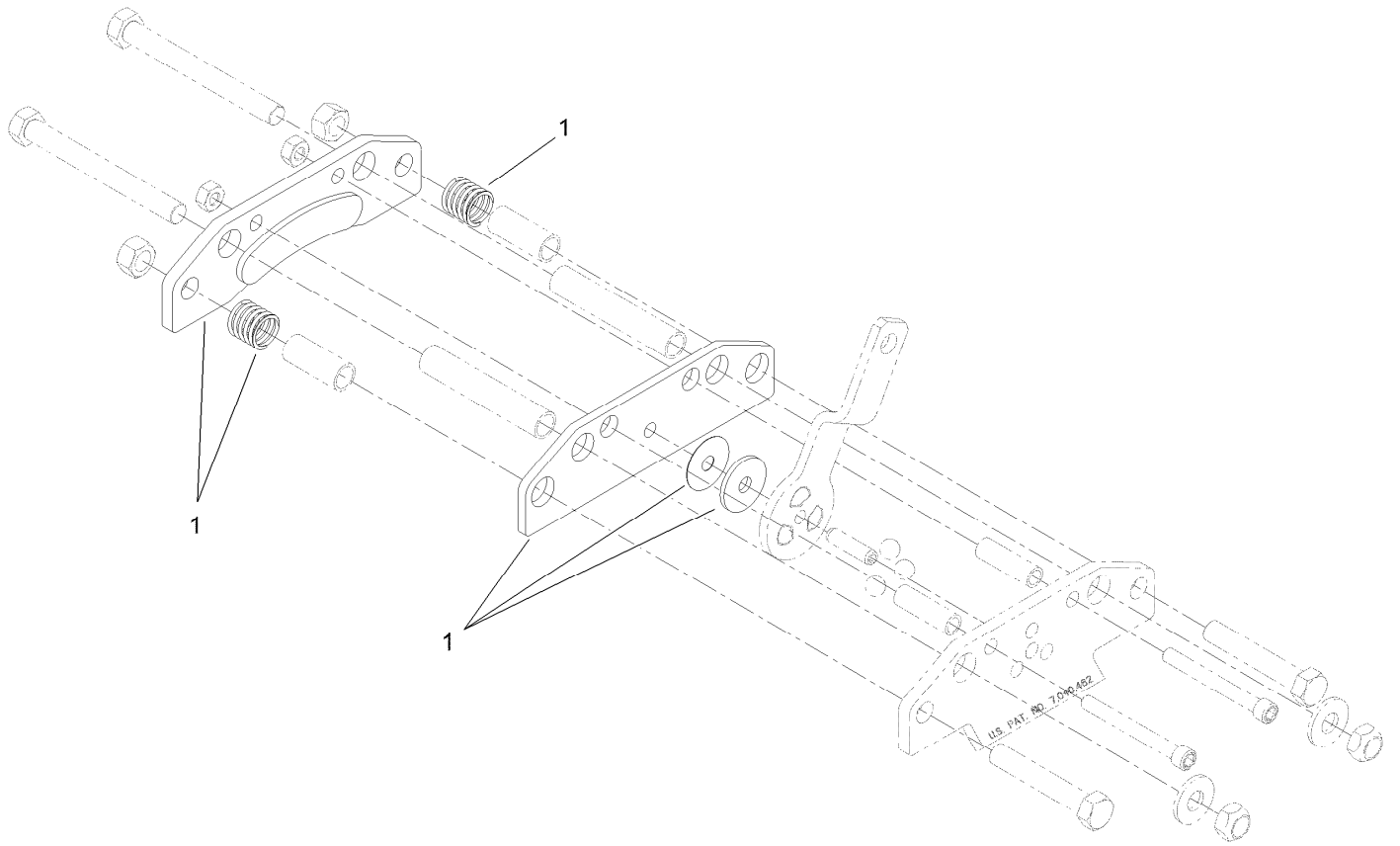
Hydraulic Motor Assembly No. 108-5230

<i>Ref.</i>	<i>Part Number</i>	<i>Qty.</i>	<i>Description</i>
1	3257-42	1	Key-Woodruff
2	107-9319	1	Nut-Hex
3	112-8405	1	Seal Kit



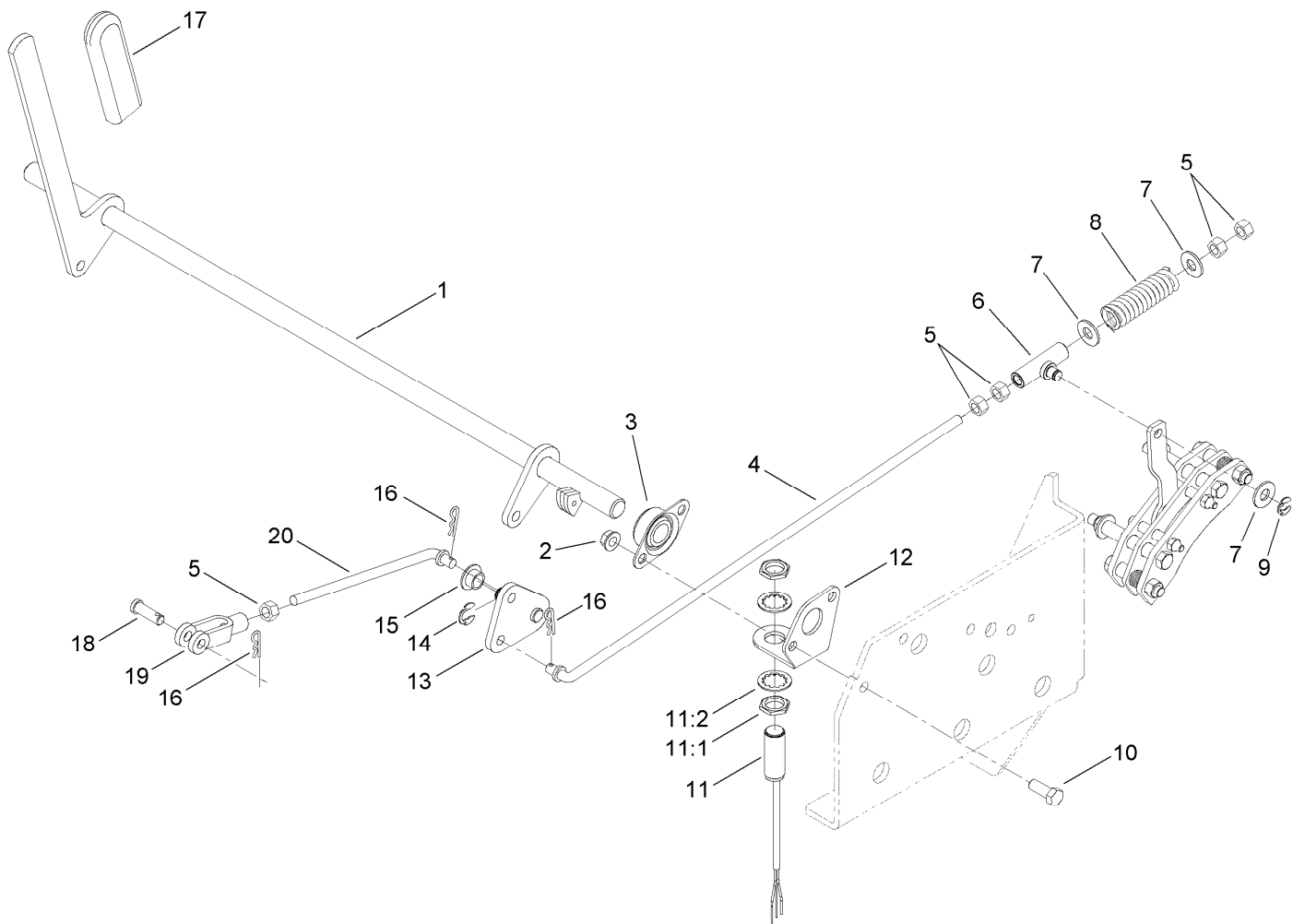
LH Brake Caliper Assembly No. 120-0013

<i>Ref.</i>	<i>Part Number</i>	<i>Qty.</i>	<i>Description</i>
1	120-0015	1	Replacement Brake Pad Service Kit



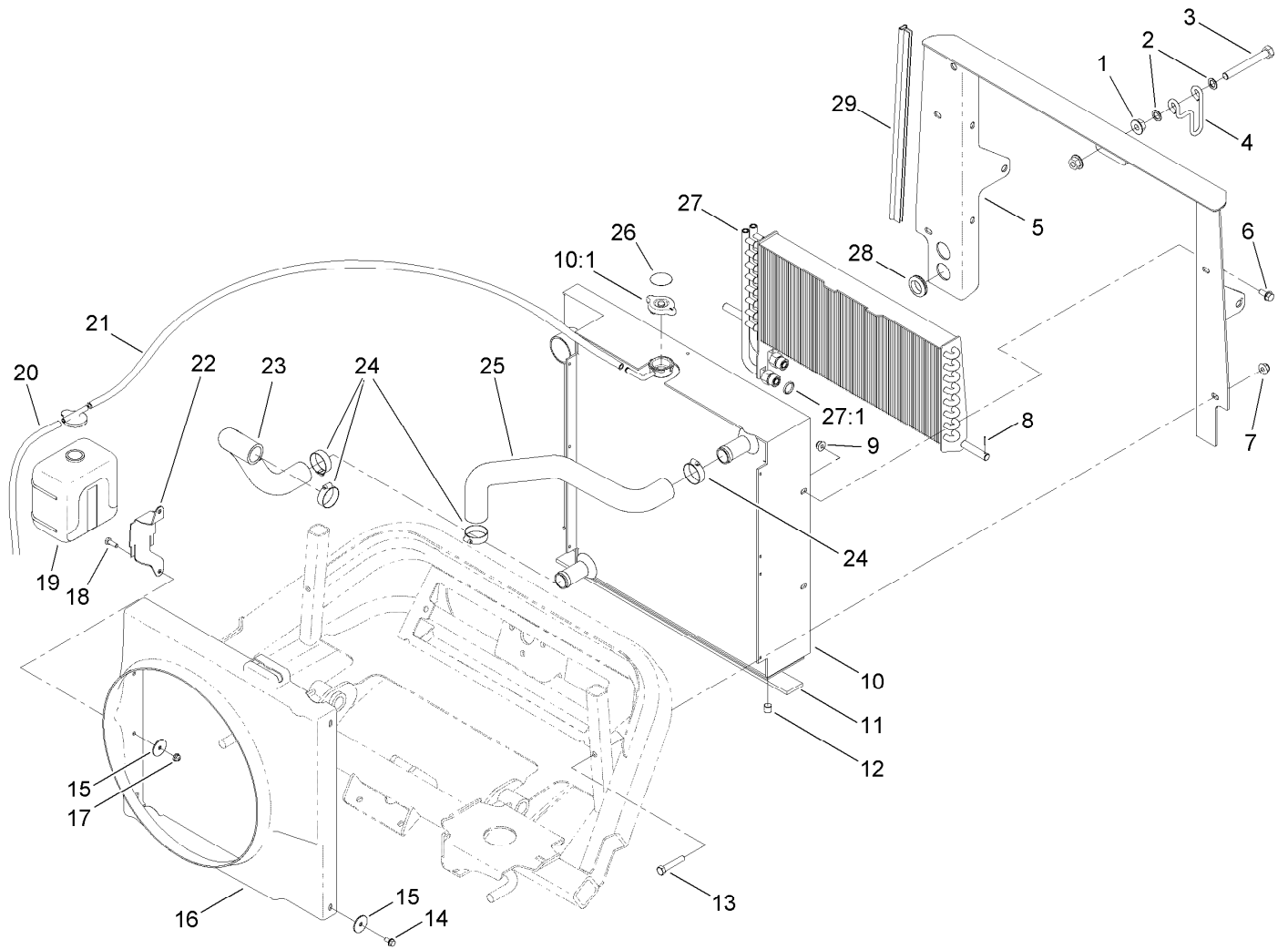
RH Brake Caliper Assembly No. 120-0014

<i>Ref.</i>	<i>Part Number</i>	<i>Qty.</i>	<i>Description</i>
1	120-0015	1	Replacement Brake Pad Service Kit



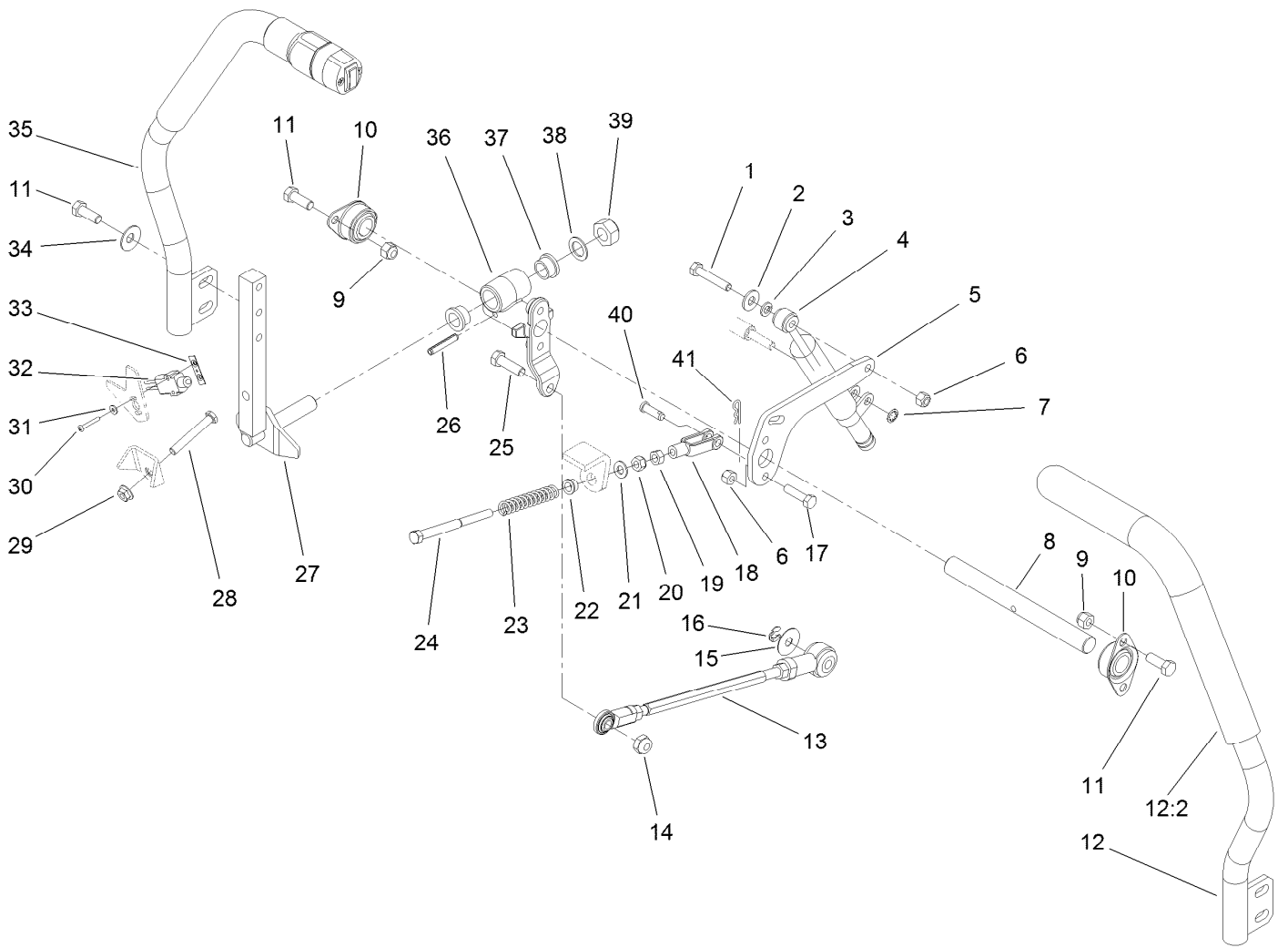
Brake Handle Assembly

Ref.	Part Number	Qty.	Description	Ref.	Part Number	Qty.	Description
1	117-5582-03	1	Handle-Brake	11:1	117-3207	2	Nut-Hex
2	3290-357	4	Nut-HHF, Whiz	11:2	117-3208	2	Washer-Lock, Internal Tooth
3	1-633102	2	Bearing-Flange, Side	12	117-5572	1	Bracket-Switch
4	120-0009	2	Rod-Brake	13	120-0022	2	Brake Pivot ASM
5	3219-3	10	Nut-Hex	14	32151-68	2	Ring-Retaining
6	112-1676	2	Swivel	15	1-513140	4	Bearing-Control
7	3256-4	6	Washer-Flat	16	3290-307	6	Pin-Hair
8	109-2230	2	Spring-Compression	17	1-633268	1	Grip-Lever
9	32151-47	2	Ring-Retaining	18	1-808285	2	Pin-Clevis
10	323-6	4	Screw-HH	19	1-633131	2	Yoke-Linkage, Brake
11	115-5300	1	Proximity Switch ASM	20	120-0023	2	Rod-Brake



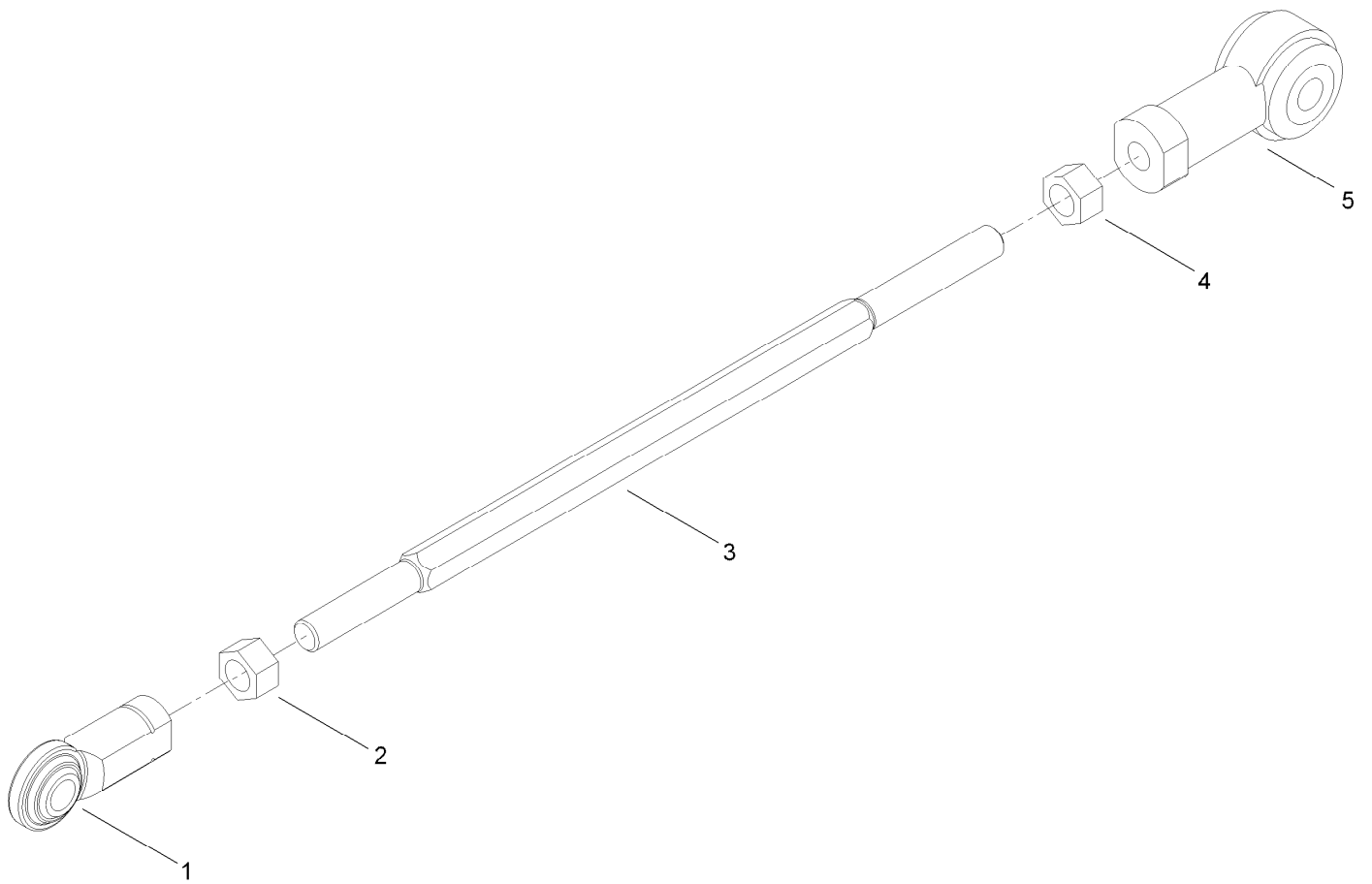
Radiator and Oil Cooler Assembly

Ref.	Part Number	Qty.	Description	Ref.	Part Number	Qty.	Description
1	32128-49	2	Nut-HHF	16	117-9232	1	Shroud-Fan
2	41-8440	2	Washer	17	104-7201	2	Nut-HF
3	325-17	1	Screw-HH	18	321-4	2	Screw-HH
4	104-5429	1	Clamp-Form, Wire	19	108-0638	1	Bottle-Overflow
5	110-8277-03	1	Frame-Radiator	20	108-3284	1	Hose-Fuel
6	3234-5	4	Screw-HHF	21	109-0274	1	Hose-Fuel
7	104-8301	4	Nut-Flange, NI	22	108-9930-03	1	Bracket-Bottle
8	32121-107	1	Pin-Roll, Slotted	23	105-7283	1	Hose-Radiator, Lower
9	104-8300	4	Nut-Flange, NI	24	2412-34	4	Clamp-Hose
10	117-5135	1	Radiator	25	105-7282	1	Hose-Radiator, Upper
10:1	121-3518	1	Cap-Radiator	26	106-6755	1	Decal-Cap, Radiator
11	108-9935	1	Strip-Foam	27	112-1684	1	Cooler-Oil
12	99-8551	1	Plug-Pipe	27:1	237-30	2	O-Ring
13	323-10	4	Screw-HH	28	240-5	2	Grommet
14	32104-116	4	Screw-HF	29	107-2269	2	Seal-Bulb
15	3256-55	6	Washer-Flat				



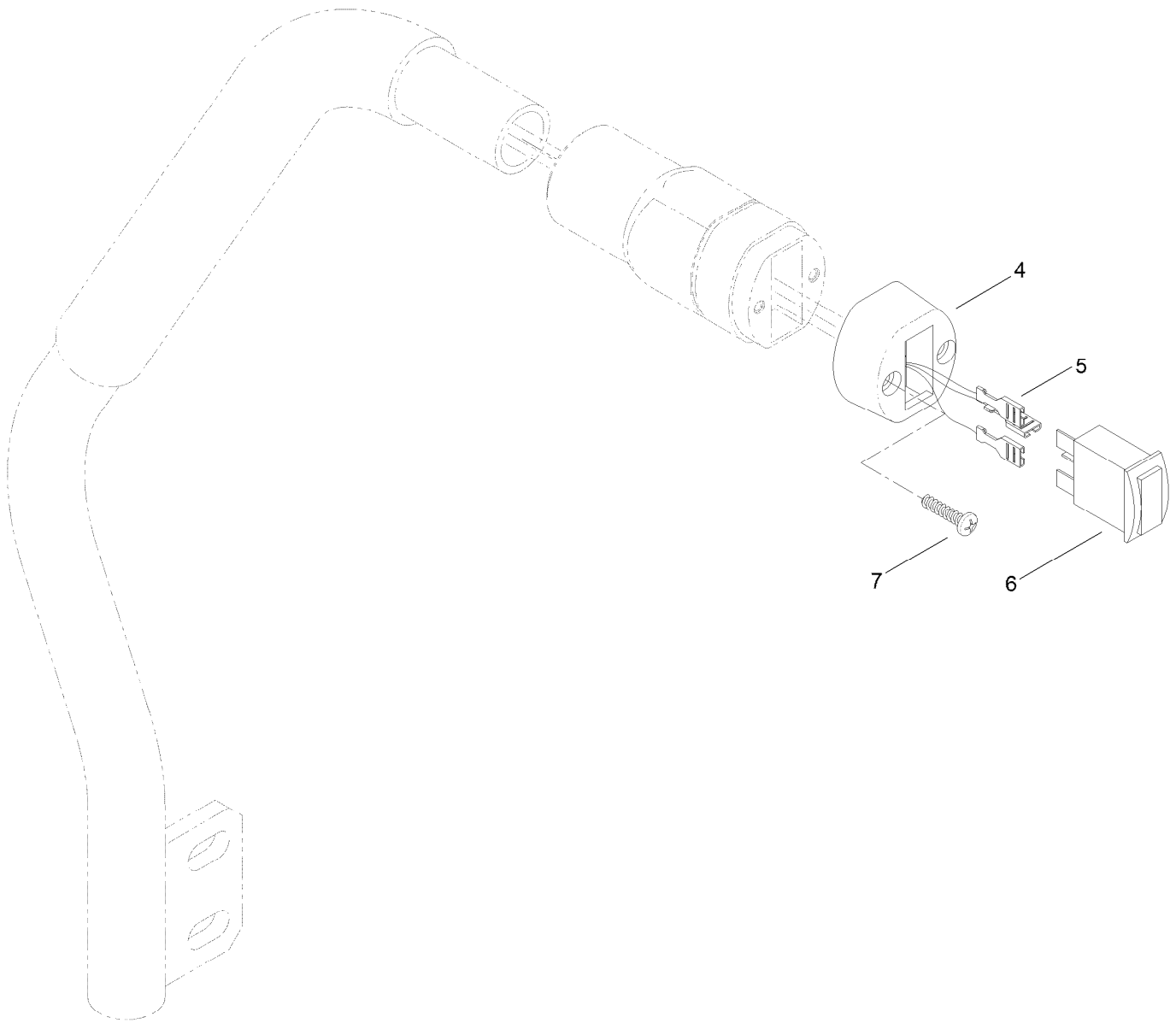
Traction Control Assembly

Ref.	Part Number	Qty.	Description	Ref.	Part Number	Qty.	Description
1	322-9	2	Screw-HH	21	3256-23	2	Washer-Flat
2	3256-3	2	Washer-Flat	22	1-603735	2	Bushing-Flanged
3	3253-4	4	Washer-Lock	23	1-603807	2	Spring-Return, Neutral
4	105-7280	2	Damper	24	1-603737	2	Bolt-Return, Neutral
5	108-9829-03	2	Lever-Damper	25	323-7	2	Screw-HH
6	3296-29	6	Nut-Lock, NI	26	32121-15	2	Pin-Roll
7	32151-72	2	Ring-Retaining	27	108-9833-03	2	Lever
8	108-9830	2	Shaft-Pivot	28	9114524	2	Bolt-TAP, HH
9	3296-39	8	Nut-Lock, NI	29	32128-26	2	Nut-Flange
10	1-633102	4	Bearing-Flange, Side	30	3250-35	4	Screw-PPH
11	323-6	12	Screw-HH	31	3256-53	4	Washer-Flat
12	125-2688	1	LH Lever ASM	32	99-3410	2	Switch
12:2	125-2704	1	Grip-Foam	33	108-9824	2	Nut-Switch
13	112-5099	2	Link ASM	34	3290-461	4	Washer-Spring
14	3296-44	2	Nut-Lock, NI	35	125-2687	1	RH Lever ASM
15	105-6814	2	Washer-Plain	36	108-9831	2	Hub-Control
16	32151-47	2	Ring-Retaining	37	105-3455	4	Bushing
17	322-6	4	Screw-HH	38	105-3481	4	Washer-Thrust
18	1-303105	2	Yoke-Adjustable	39	32152-6	2	Nut-Lock, Cone
19	3219-2	2	Nut-Hex	40	283-1	2	Pin-Clevis
20	3296-4	2	Nut-Lock	41	3290-307	2	Pin-Hair



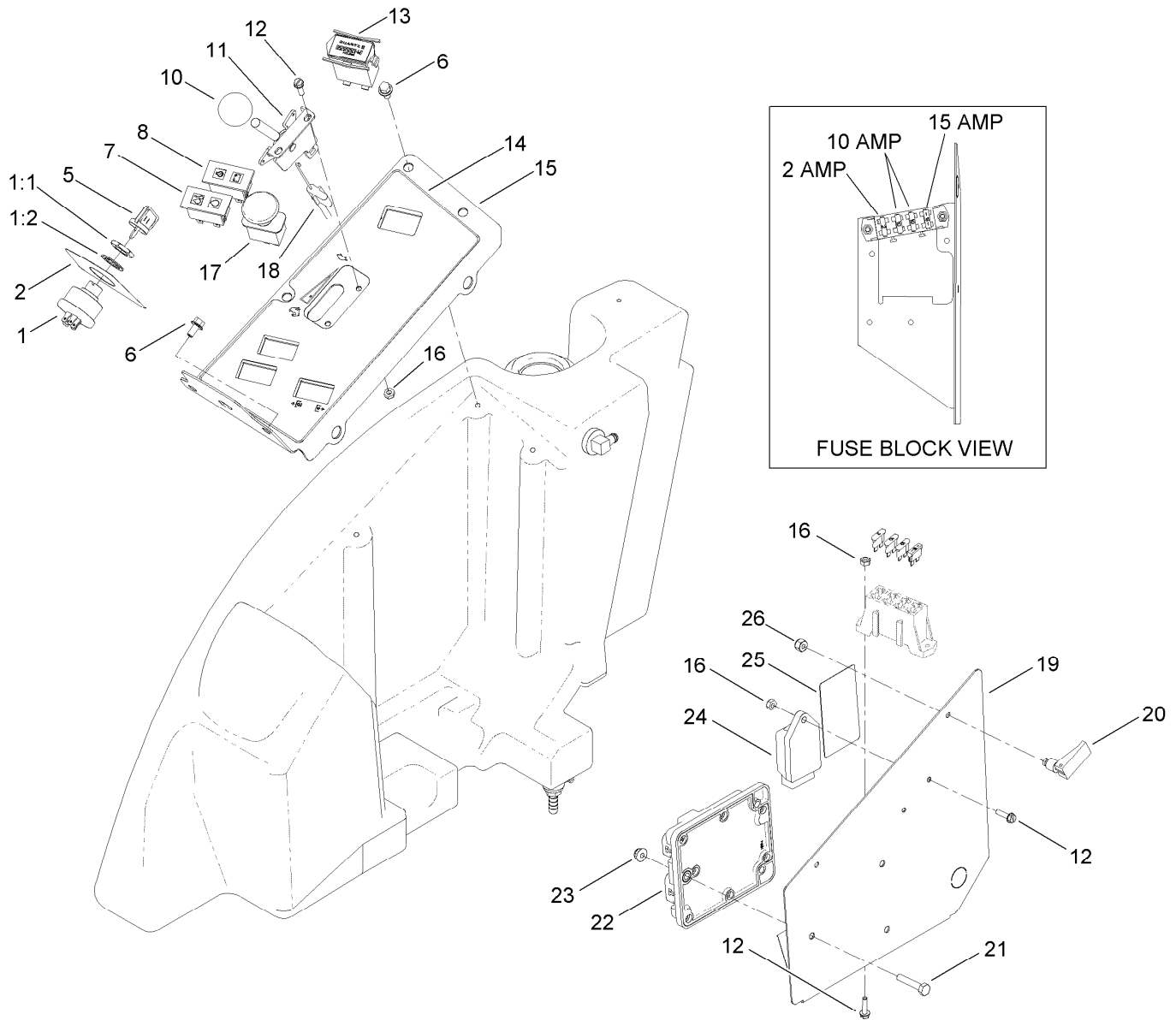
Link Assembly No. 112-5099

<i>Ref.</i>	<i>Part Number</i>	<i>Qty.</i>	<i>Description</i>
1	103-1167	1	Joint-Ball End, LH
2	3219-20	1	Nut-Hex, LH
3	105-7239	1	Rod-Threaded
4	3219-3	1	Nut-Hex
5	105-7199	1	Rod End-Isolated



RH Lever Assembly No. 125-2687

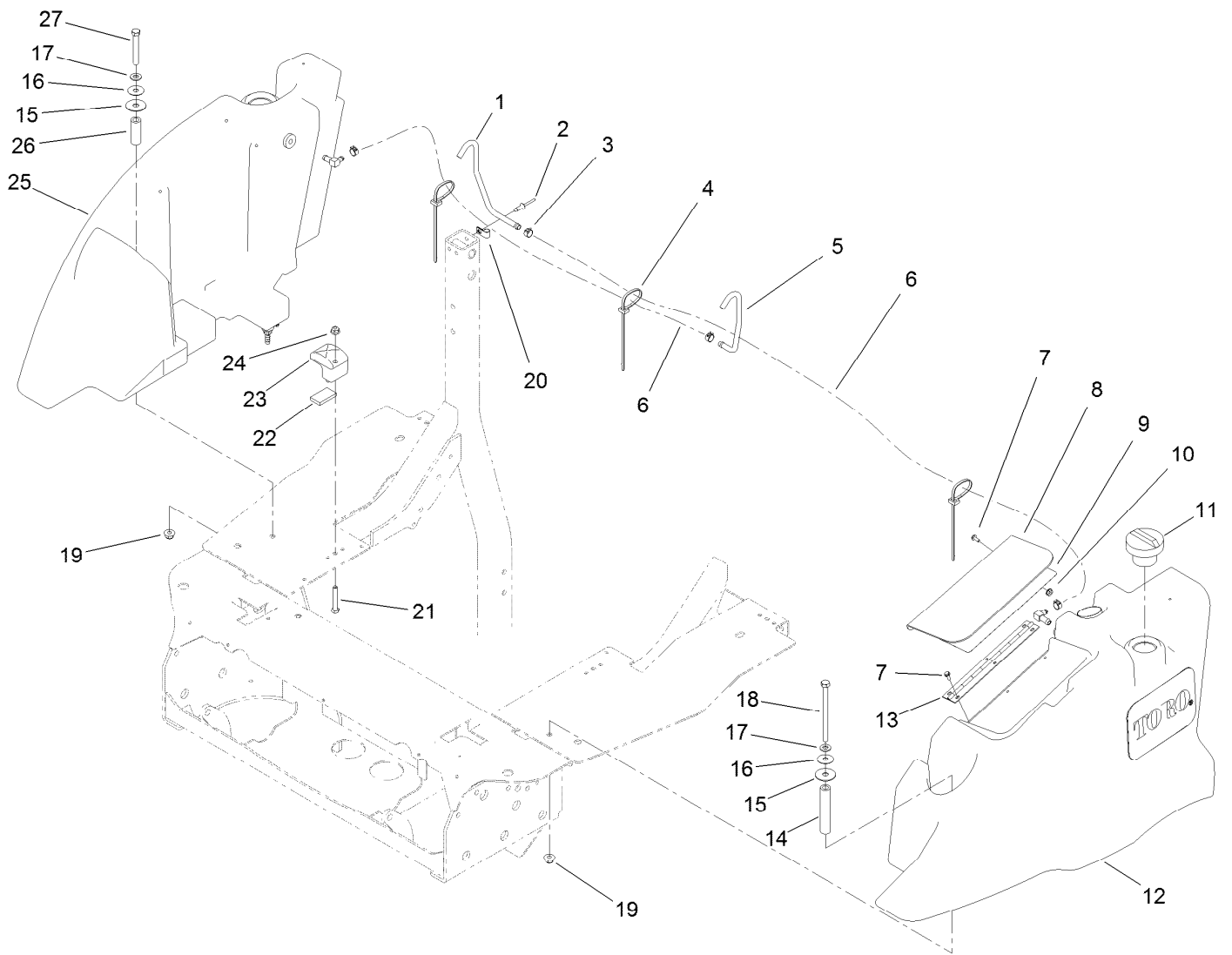
<i>Ref.</i>	<i>Part Number</i>	<i>Qty.</i>	<i>Description</i>
4	121-3399	1	Cap-Switch
5	119-4382	1	Harness-Control Handle
6	125-2702	1	Switch, Spst (On)-Off-On
7	94-4496	2	Screw-PPH



Control Panel Assembly

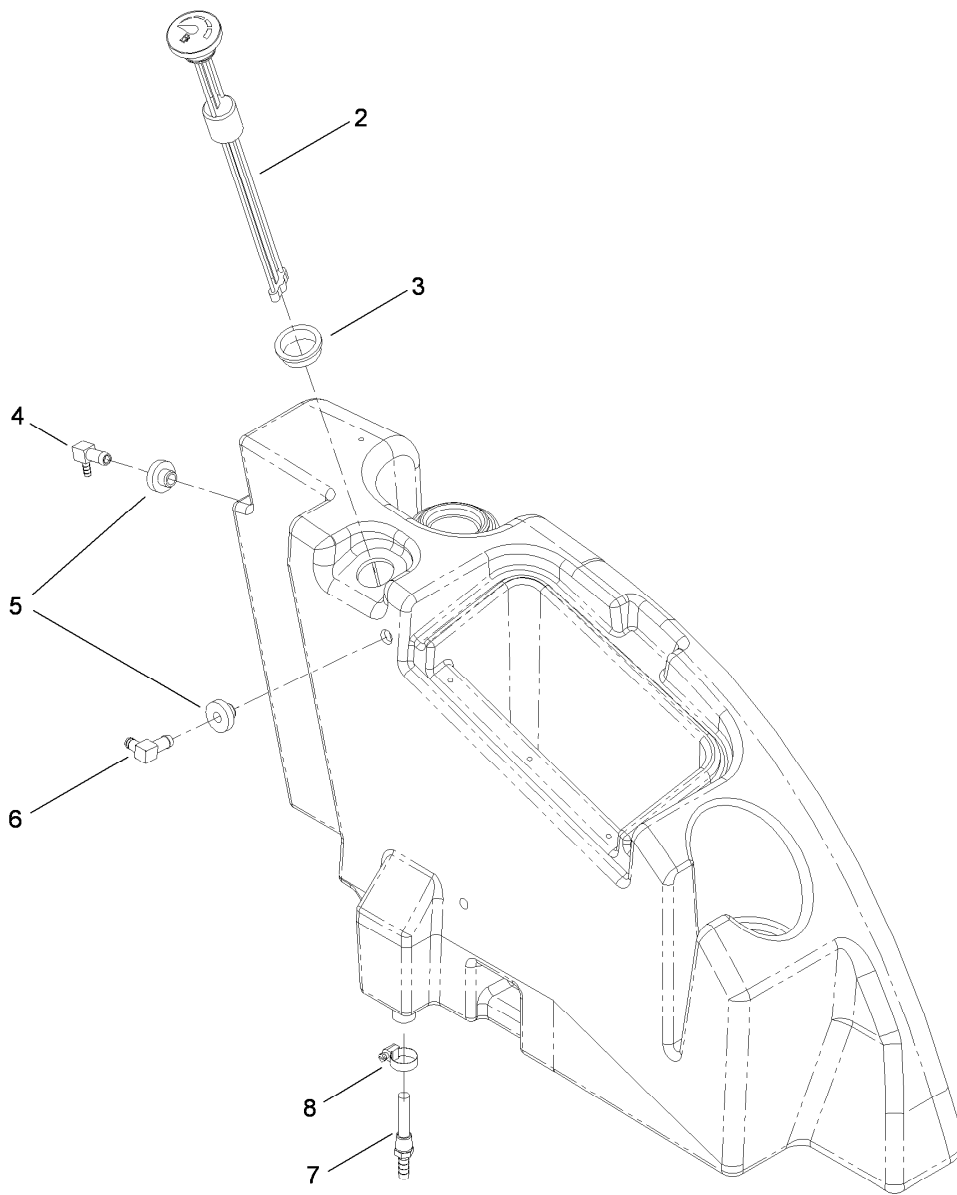
Ref.	Part Number	Qty.	Description
1	104-2541	1	Switch ASM
1:1	218-461	1	Nut-HH
1:2	3254-5	1	Washer-Tooth, Internal
2	110-8254	1	Decal-Start, Control Panel
5	63-8360	2	Key-Ignition (W/Shield)
6	3234-13	5	Screw-HHF
7	100-8071	1	Lamp-Warning
8	100-8070	1	Lamp-Warning
10	233-42	1	Knob
11	110-5547	1	Control Lever ASM
12	32105-13	5	Screw-HWH
13	1-513374	1	Meter-Hour
14	110-8253	1	Decal-Panel, Control

Ref.	Part Number	Qty.	Description
15	110-8256-03	1	Panel-Control
16	3296-2	7	Nut-Lock, NI
17	93-9999	1	Switch-PTO
18	110-5548	1	Cable-Throttle
19	110-8257-03	1	Cover-Panel, Control
20	74-5950	2	Latch-Swell
21	321-13	3	Screw-HH
22	106-9277	1	Module-Control, Standard
23	104-7201	3	Nut-HF
24	107-9097	1	Controller-Glow
25	110-9796	1	Decal-Block, Fuse
26	1-804254	2	Nut-Lock, HH



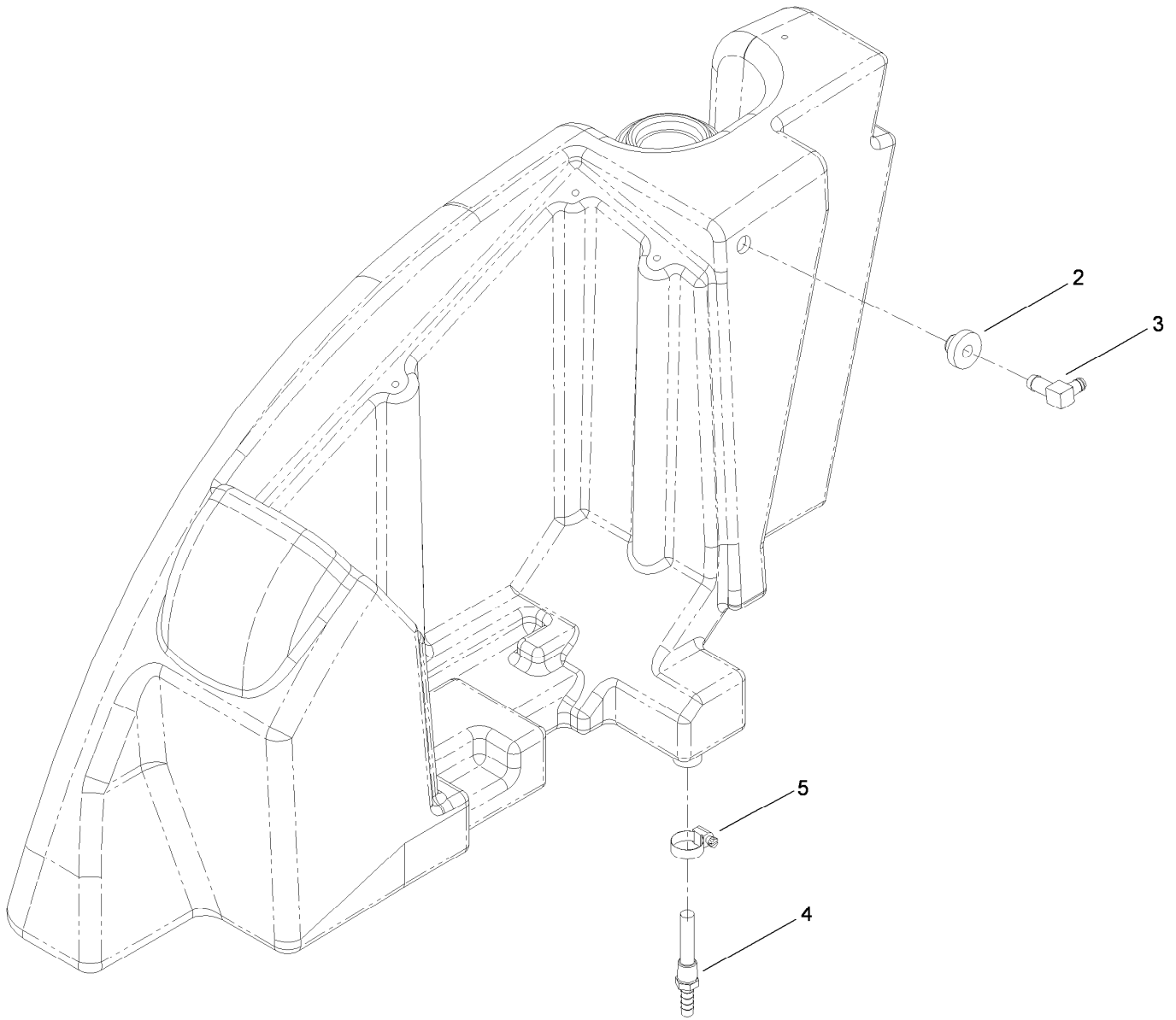
Left-Hand and Right-Hand Fuel Tank Assembly

<i>Ref.</i>	<i>Part Number</i>	<i>Qty.</i>	<i>Description</i>	<i>Ref.</i>	<i>Part Number</i>	<i>Qty.</i>	<i>Description</i>
1	110-8260	1	Tube-Vent, RH	15	95-1905	2	Washer-Rubber
2	3290-412	2	Rivet	16	105-6814	2	Washer-Plain
3	92-2379	8	Clamp-Hose	17	3256-24	2	Washer-Flat
4	3290-378	3	Tie-Cable	18	323-39	1	Screw-HH
5	110-8261	1	Tube-Vent, LH	19	104-8301	2	Nut-Flange, NI
6	110-6186	2	Hose-Fuel	20	2412-89	2	Clamp-R
7	112-6349	6	Screw-HWH	21	322-10	4	Screw-HH
8	110-5540-03	1	Cover-Toolbox	22	112-9561	4	Pad-Foam
9	110-8252	1	Decal-Instructions, Service	23	107-4543	4	Clamp
10	32149-8	3	Nut-Keps	24	104-8300	4	Nut-Flange, NI
11	115-5305	2	Cap-Fuel	25	110-8236	1	RH Fuel Tank ASM
12	110-8230	1	LH Fuel Tank ASM	26	92-1239	1	Spacer-Support
13	108-2024	1	Hinge	27	323-13	1	Screw-HH
14	110-5539	1	Spacer				



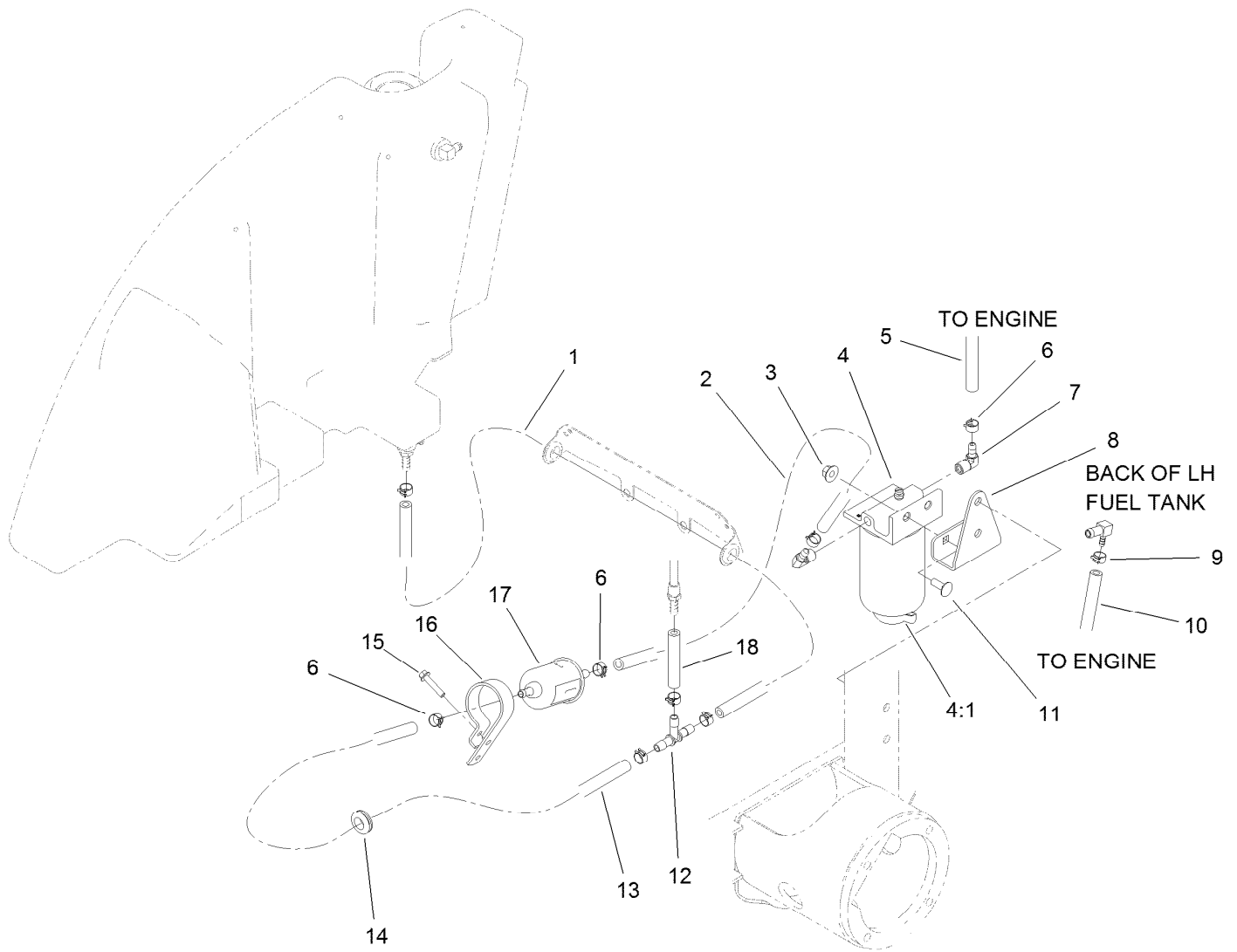
LH Fuel Tank Assembly No. 110-8230

<i>Ref.</i>	<i>Part Number</i>	<i>Qty.</i>	<i>Description</i>
2	110-8262	1	Gauge-Fuel
3	95-8972	1	Grommet
4	104-5228	1	Fitting-Elbow, 90 DEG
5	46-6560	2	Bushing
6	1-643259	1	Fitting-Elbow
7	112-6374	1	Fitting-Strainer
8	2412-36	1	Clamp-Hose



RH Fuel Tank Assembly No. 110-8236

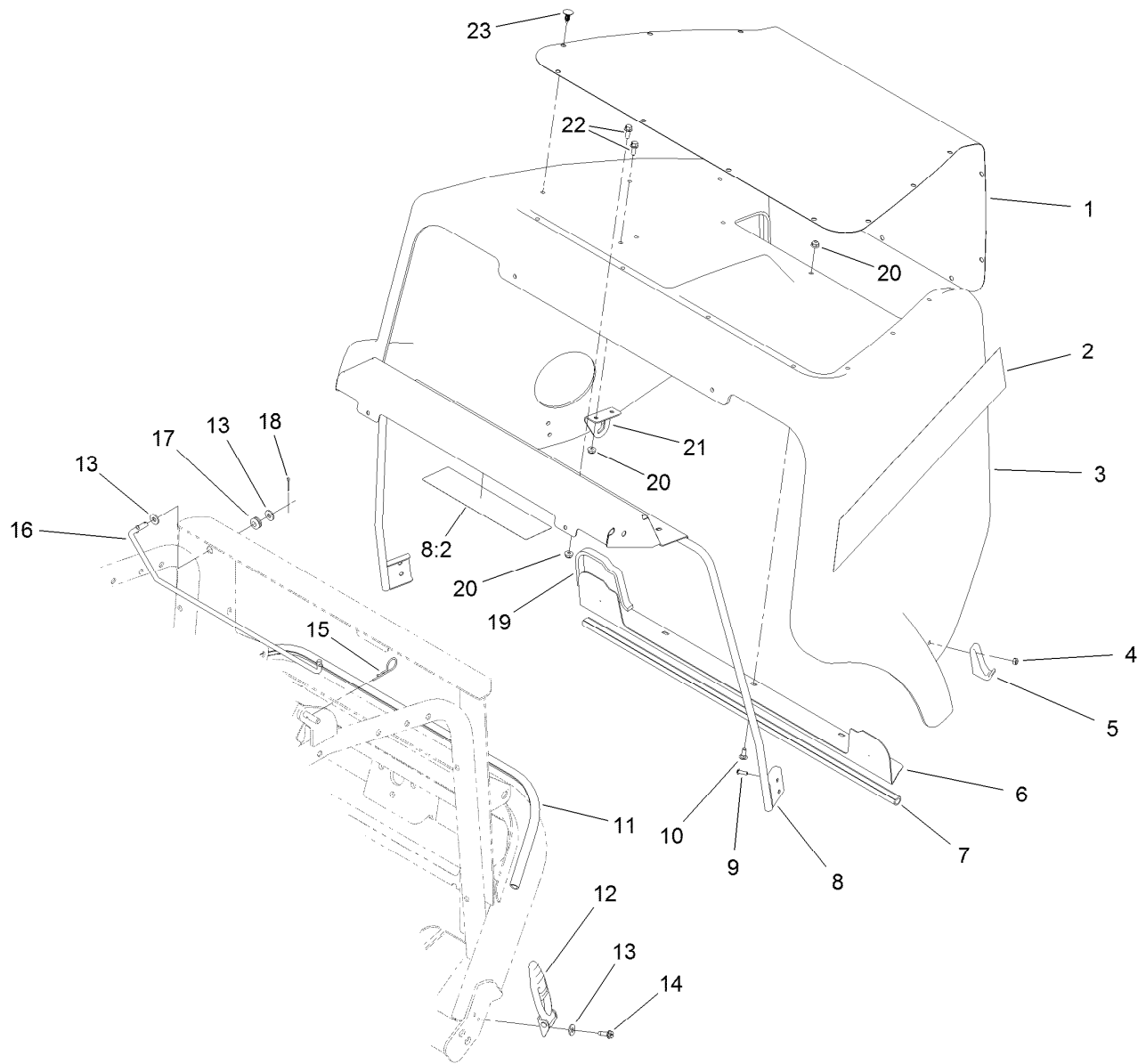
<i>Ref.</i>	<i>Part Number</i>	<i>Qty.</i>	<i>Description</i>
2	46-6560	1	Bushing
3	1-643259	1	Fitting-Elbow
4	112-6374	1	Fitting-Strainer
5	2412-36	1	Clamp-Hose



Fuel Filter / Seperator Assembly

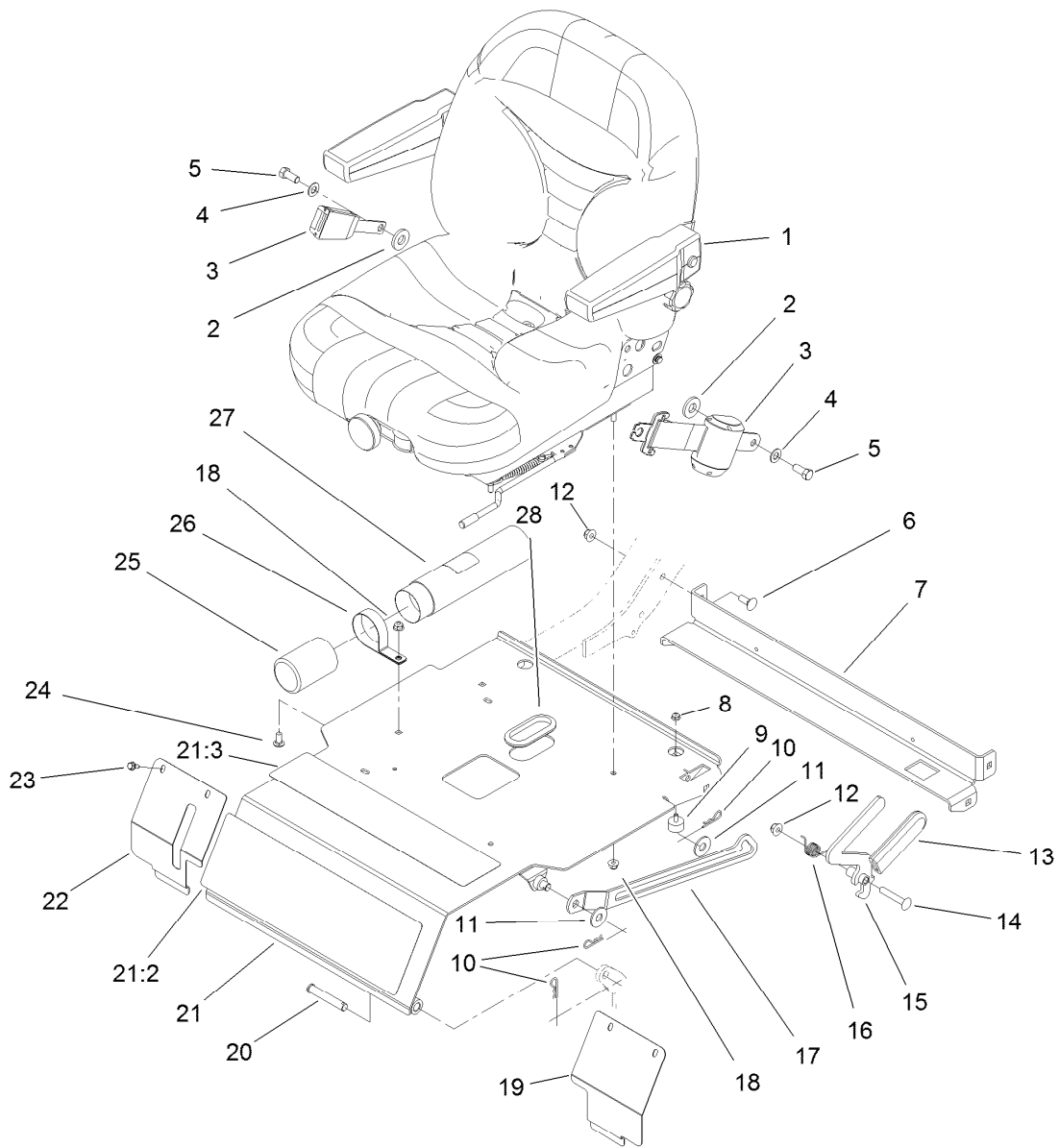
Ref.	Part Number	Qty.	Description
1	109-0309	1	Hose-Fuel
2	114-4028	1	Hose-Fuel
3	32128-44	2	Nut
4	110-9044	1	Filter-Seperator
4:1	110-9049	1	Filter-Spin On
5	110-4104	1	Hose-Fuel
6	92-2379	8	Clamp-Hose
7	353-781	2	Fitting-Elbow
8	114-4058-03	1	Mount-Separator
9	2412-80	2	Clamp-Hose

Ref.	Part Number	Qty.	Description
10	110-8255	1	Hose-Fuel
11	3230-10	2	Screw-CARR
12	354-107	1	Fitting-HYD, Tee
13	110-4113	1	Hose-Fuel
14	237-124	1	Grommet
15	32144-110	1	Screw-HWH
16	110-8817	1	Bracket-Pump, Fuel
17	110-8806	1	Pump-Fuel
18	112-6388	1	Hose-Fuel



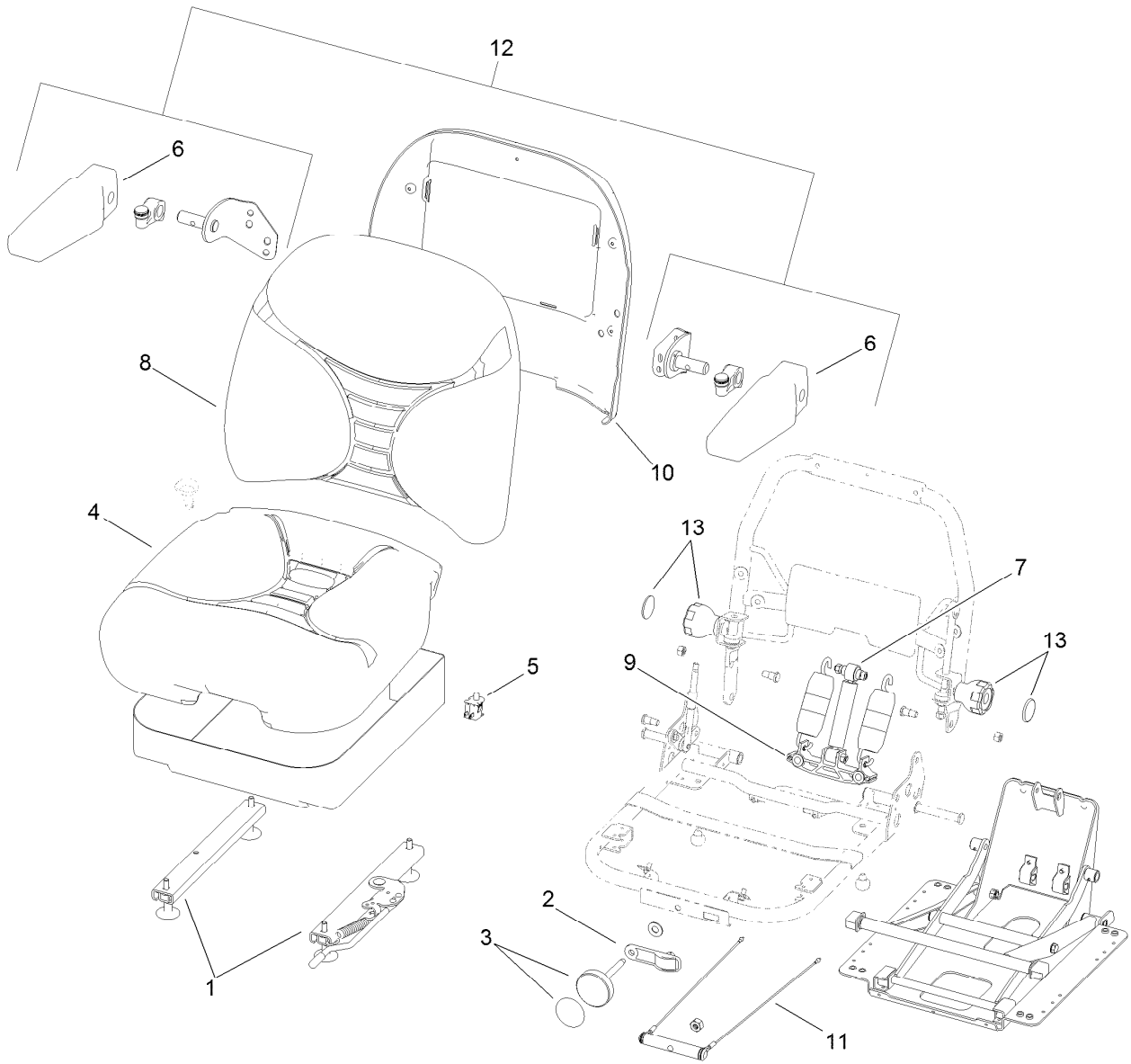
Hood and Screen Assembly

<i>Ref.</i>	<i>Part Number</i>	<i>Qty.</i>	<i>Description</i>	<i>Ref.</i>	<i>Part Number</i>	<i>Qty.</i>	<i>Description</i>
1	115-1446-03	1	Screen-Intake	12	103-2898	2	Latch-Rubber
2	110-5544	2	Decal-Hood	13	3256-2	4	Washer-Flat
3	108-9909	1	Hood	14	32104-95	2	Screw-HWH
3	112-6311	1	Hood ASM	15	3290-255	1	Pin-Cotter, Hair
4	3296-2	4	Nut-Lock, NI	16	110-8291	1	Rod-Prop, Hood
5	103-2897	2	Latch-Catch	17	237-136	1	Grommet
6	110-8285-03	1	Angle-Seal	18	3272-6	1	Pin-Cotter
7	110-8287	1	Bulb-Seal	19	110-8288	2	Seal-Foam
8	110-9795	1	Support-Hood	20	104-7201	11	Nut-HF
8:2	110-9781	1	Decal-Danger	21	108-9811	1	Support-Rod, Prop
9	3274-39	4	Screw-HSBH	22	3234-33	8	Screw-HHF
10	3229-11	3	Screw-CARR	23	117-2382	17	Plug-Plastic
11	112-1694	1	Seal-Bulb				



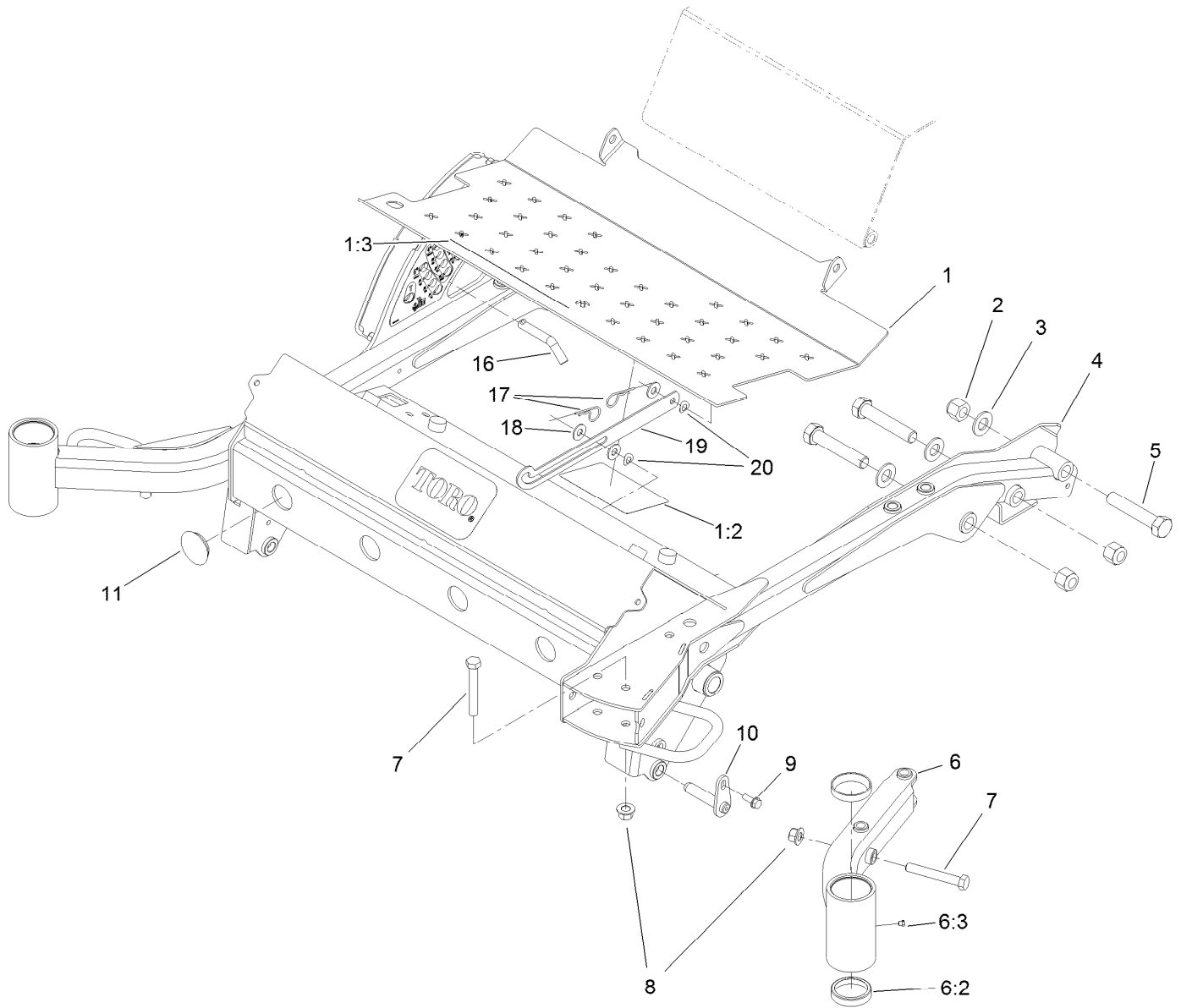
Seat and Seat-Plate Assembly

Ref.	Part Number	Qty.	Description	Ref.	Part Number	Qty.	Description
1	107-2286	1	Seat ASM	16	121-3386	1	Spring-Torsion
2	99-7667	2	Washer-Flat	17	120-0097-03	1	Prop-Seat
3	110-0413	1	Seatbelt-Retractable	18	104-8300	6	Nut-Flange, NI
4	3256-25	2	Washer-Flat	19	120-9191-03	1	Cover-LH
5	3212-4	2	Screw-HH	20	283-55	2	Pin-Clevis
6	3231-2	4	Bolt-CARR	21	120-9197	1	Seat Plate ASM
7	120-0095-03	1	Support-Seat	21:2	120-9195	1	Decal-Safety
8	104-7201	2	Nut-HF	21:3	120-9196	1	Decal-Top Console Ce
9	240-14	2	Bumper-Rubber	22	120-9192-03	1	Cover-RH
10	3290-467	4	Pin-Hair	23	32144-10	4	Screw-HWH
11	3256-6	2	Washer-Flat	24	3230-23	2	Screw-CARR
12	104-8301	5	Nut-Flange, NI	25	104-7048	1	Cap-Housing
13	1-633268	1	Grip-Lever	26	2412-133	2	R-Clamp
14	3231-40	1	Bolt-CARR, Short Neck	27	104-7050	1	Tube-Manual
15	121-3390	1	Lever-Seat	28	237-164	1	Grommet



Seat Assembly No. 107-2286

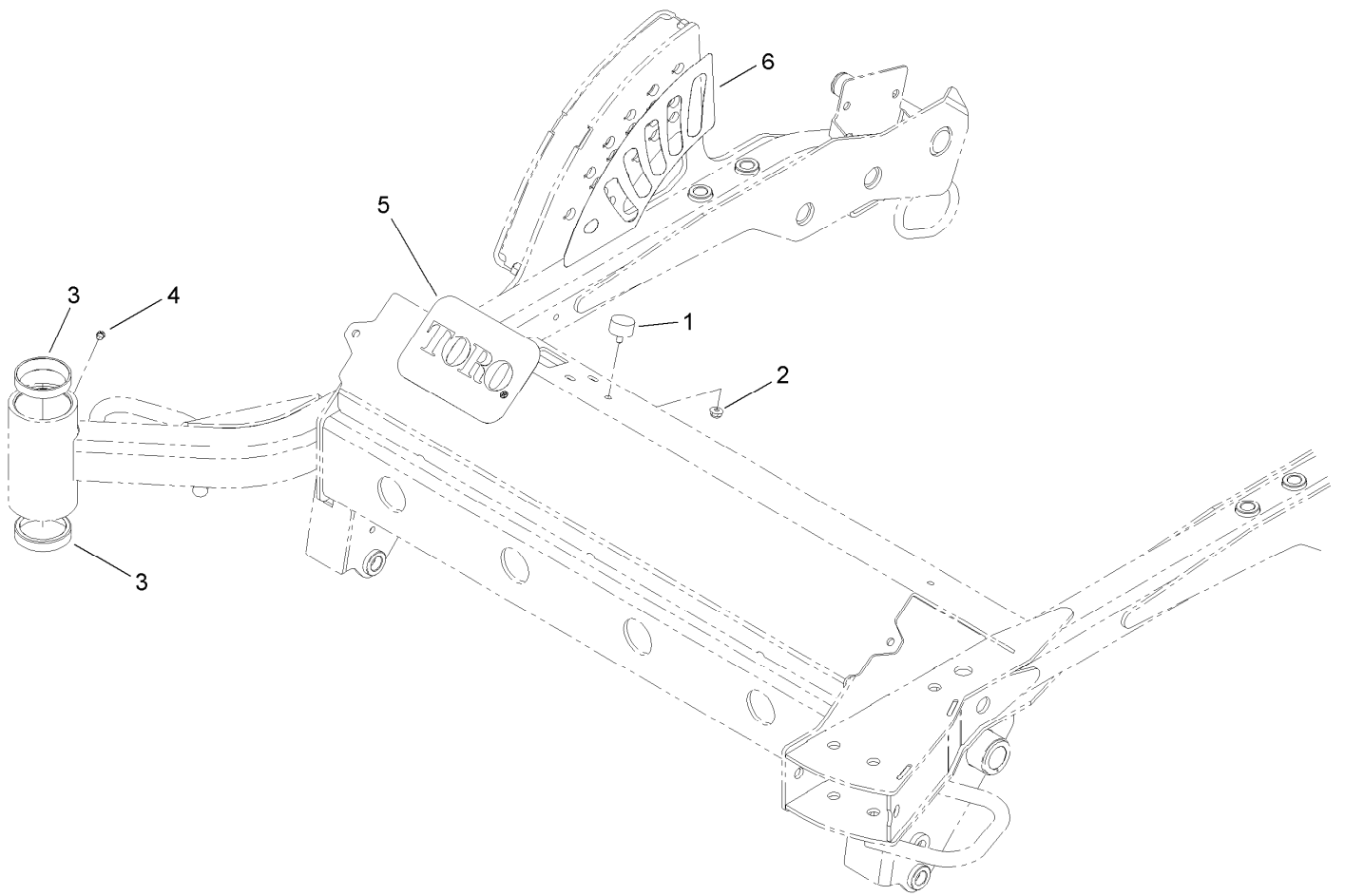
Ref.	Part Number	Qty.	Description
1	107-1880	1	Seat Track Kit
2	107-1885	1	Weight Indicator Kit
3	121-9431	1	Knob Kit
4	107-1883	1	Bottom Cushion Kit
5	82-2190	1	Switch-Bail
6	107-1887	2	Pad-Armrest
7	107-1884	1	Shock Absorber Kit
8	107-1882	1	Back Cushion Kit
9	109-3343	1	Spring And Saddle Kit
10	109-3344	1	Back Panel Kit
11	109-3345	1	Weight Adjust Kit
12	121-9415	1	Armrest Kit
13	121-9432	2	Adjust Knob Kit



Floorplate and Carrier Frame Assembly

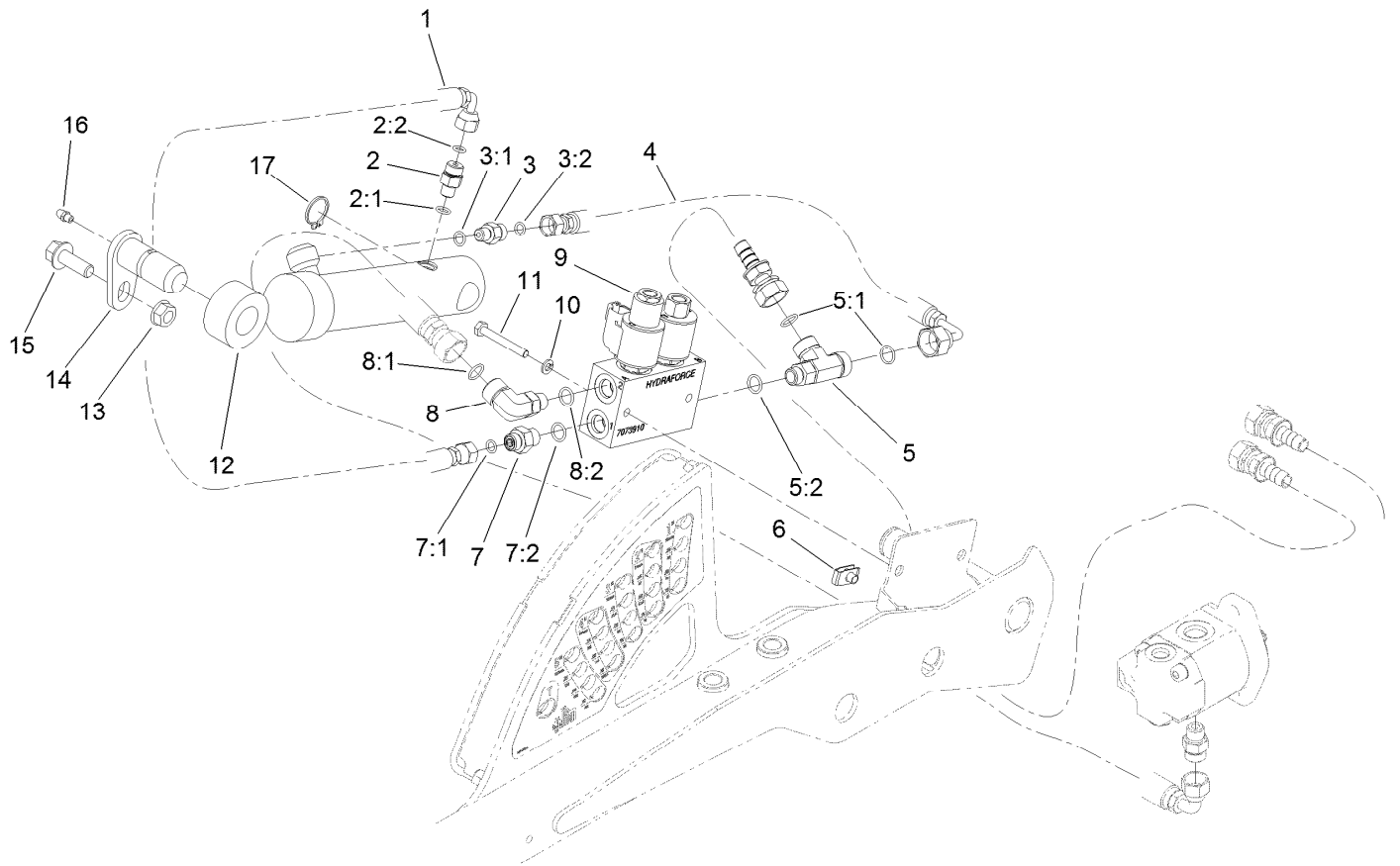
Ref.	Part Number	Qty.	Description
1	120-9165	1	Floorplate ASM
1:2	112-1461	1	Decal-Routing, Belt
1:3	107-1866	1	Decal-Danger, Slope
2	3296-51	5	Nut-Lock, NI
3	92-5836	5	Washer
4	121-3356	1	Carrier Frame ASM
5	328-7	5	Screw-HH
6	121-3340	1	Castor Arm ASM
6:2	254-107	2	Cup-Bearing, Tapered
6:3	1-811010	1	Plug

Ref.	Part Number	Qty.	Description
7	325-14	3	Screw-HH
8	99-5107	3	Nut-Lock
9	32144-41	2	Screw-Taptite
10	112-1602	2	Pin-Retainer
11	121-3397	4	Plug-Grommet
16	112-9544	1	Pin-HOC
17	3290-255	2	Pin-Cotter, Hair
18	3256-4	3	Washer-Flat
19	121-3394-03	1	Prop-Floor
20	108571	2	Washer-Spring



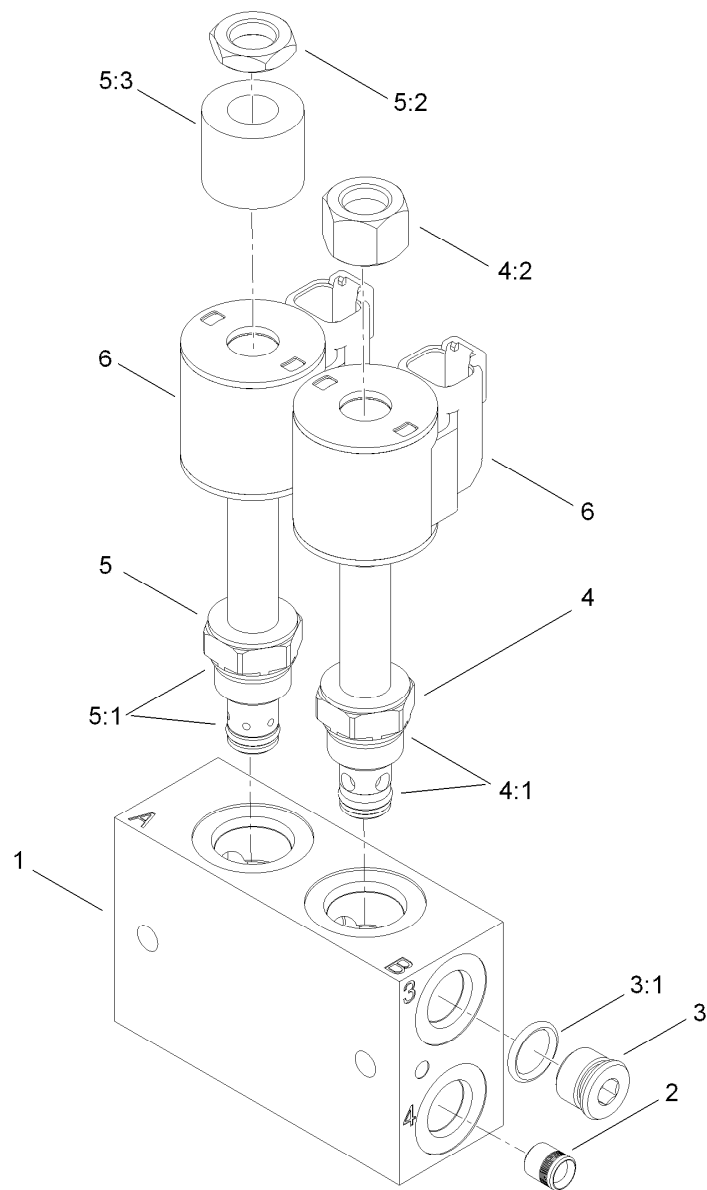
Carrier Frame Assembly No. 121-3356

<i>Ref.</i>	<i>Part Number</i>	<i>Qty.</i>	<i>Description</i>
1	240-14	4	Bumper-Rubber
2	104-7201	4	Nut-HF
3	254-107	2	Cup-Bearing, Tapered
4	1-811010	1	Plug
5	99-4693	1	Decal
6	120-9164	1	Decal-HOC



Lift Valve Assembly

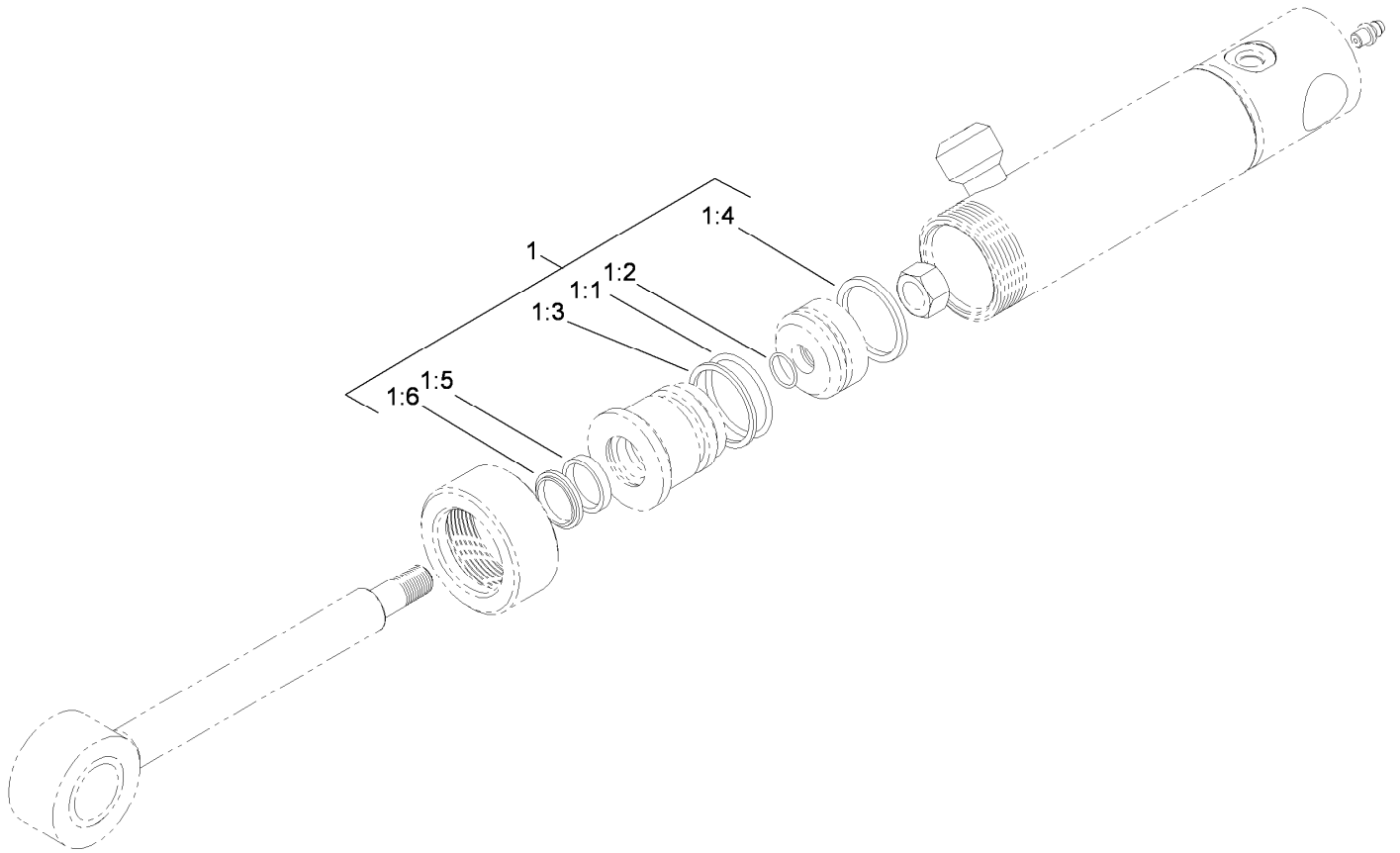
Ref.	Part Number	Qty.	Description	Ref.	Part Number	Qty.	Description
1	119-4594	1	HYD Hose ASM	7:2	237-42	1	O-Ring
2	95-1639	1	Fitting-HYD	8	340-99	1	Fitting-HYD, 90 DEG
2:1	237-78	1	O-Ring	8:1	237-30	1	O-Ring
2:2	237-21	1	O-Ring	8:2	237-42	1	O-Ring
3	340-92	1	Fitting-HYD, Straight	9	115-0356	1	Deck Lift Valve ASM
3:1	237-78	1	O-Ring	10	3253-3	2	Washer-Lock
3:2	237-21	1	O-Ring	11	321-11	2	Screw-HH
4	121-3374	1	Hose ASM-HYD	12	110-9834	1	HYD Cylinder ASM
5	110-0064	1	Fitting-Tee	13	32128-37	1	Nut-HF
5:1	237-30	2	O-Ring	14	98-2654	1	Pin-Pivot
5:2	237-42	1	O-Ring	15	3234-15	1	Screw-HHF
6	107069	2	Clip	16	302-5	1	Fitting-Grease
7	340-1	1	Fitting-HYD, Straight	17	32151-36	1	Ring-Retaining
7:1	237-21	1	O-Ring				



Deck Lift Valve Assembly No. 115-0356

Ref.	Part Number	Qty.	Description
1		1	Block-Manifold ●
2		1	Plug ●
3	353-512	1	Plug
3:1	237-78	1	O-Ring
4	107-7517	1	Valve-Solenoid
4:1	105-9156	1	Seal Kit
4:2	107-7812	1	Nut-Solenoid
5	110-8898	1	Valve-Solenoid
5:1	107-7527	1	Seal Kit
5:2	110-2634	1	Nut-Coil
5:3	110-8909	1	Spacer-Coil
6	119-8036	1	E-Coil,12 Vdc,-08

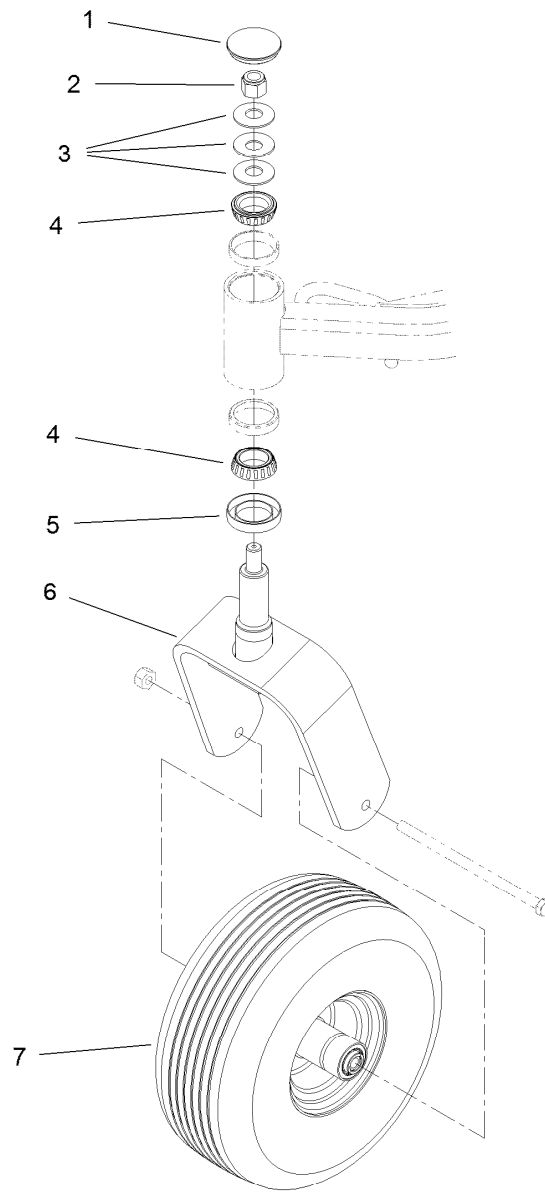
● Not serviced separately



Hydraulic Cylinder Assembly No. 110-9834

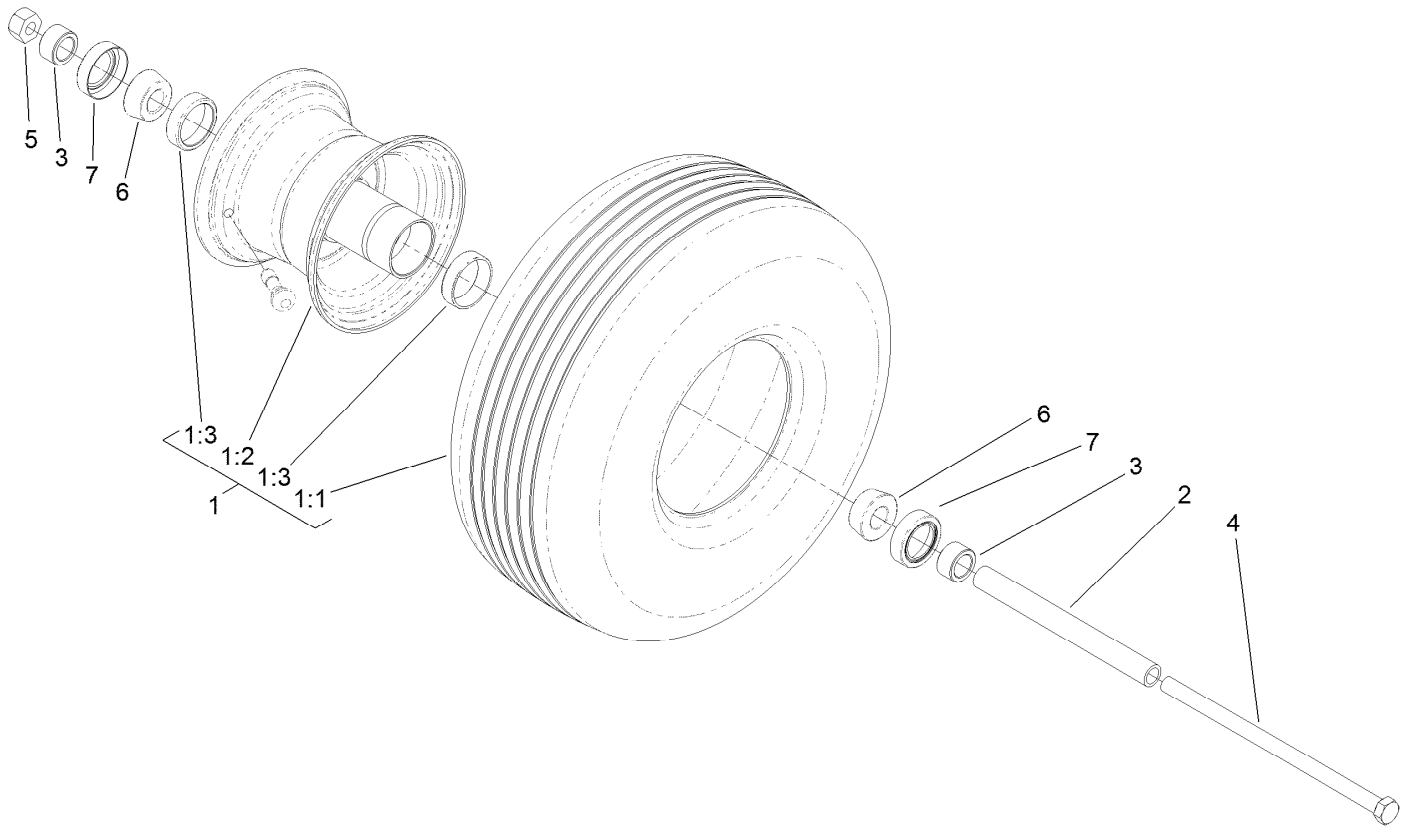
<i>Ref.</i>	<i>Part Number</i>	<i>Qty.</i>	<i>Description</i>
1	112-6353	1	Seal Kit
1:1		1	O-Ring ●
1:2		1	O-Ring ●
1:3		1	Backup ●
1:4		1	Seal-Bp ●
1:5		1	Seal-Rod ●
1:6		1	Seal-Dust ●

● Not serviced separately



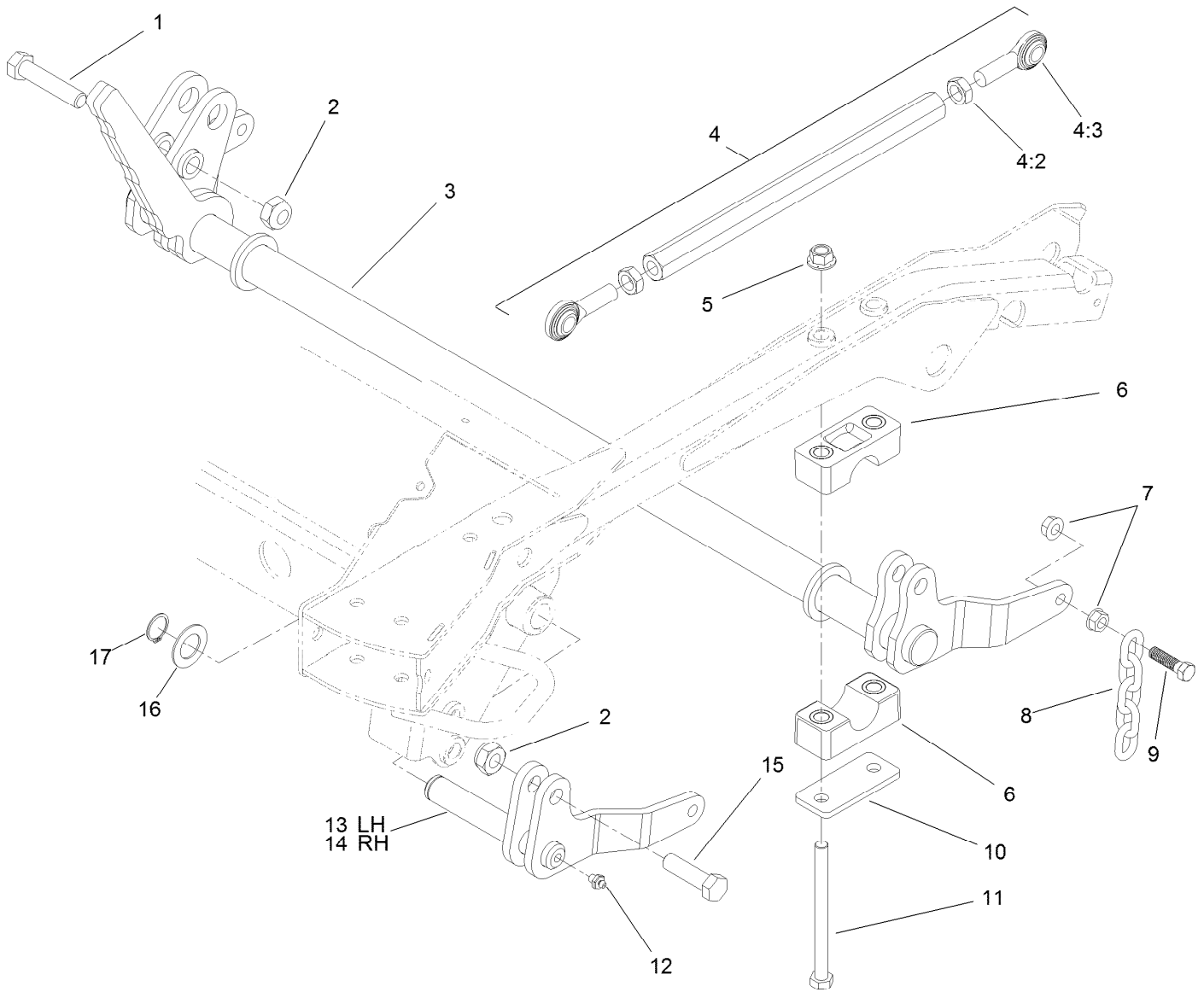
Castor Wheel Assembly

<i>Ref.</i>	<i>Part Number</i>	<i>Qty.</i>	<i>Description</i>
1	108-9950	2	Cap-Grease
2	3296-51	2	Nut-Lock, NI
3	108-9957	6	Washer-Belleville
4	254-106	4	Cone-Bearing, Tapered
5	69-2980	2	Seal
6	108-9946-03	2	Fork-Caster
7	108-9954	2	Caster Wheel ASM



Caster Wheel Assembly No. 108-9954

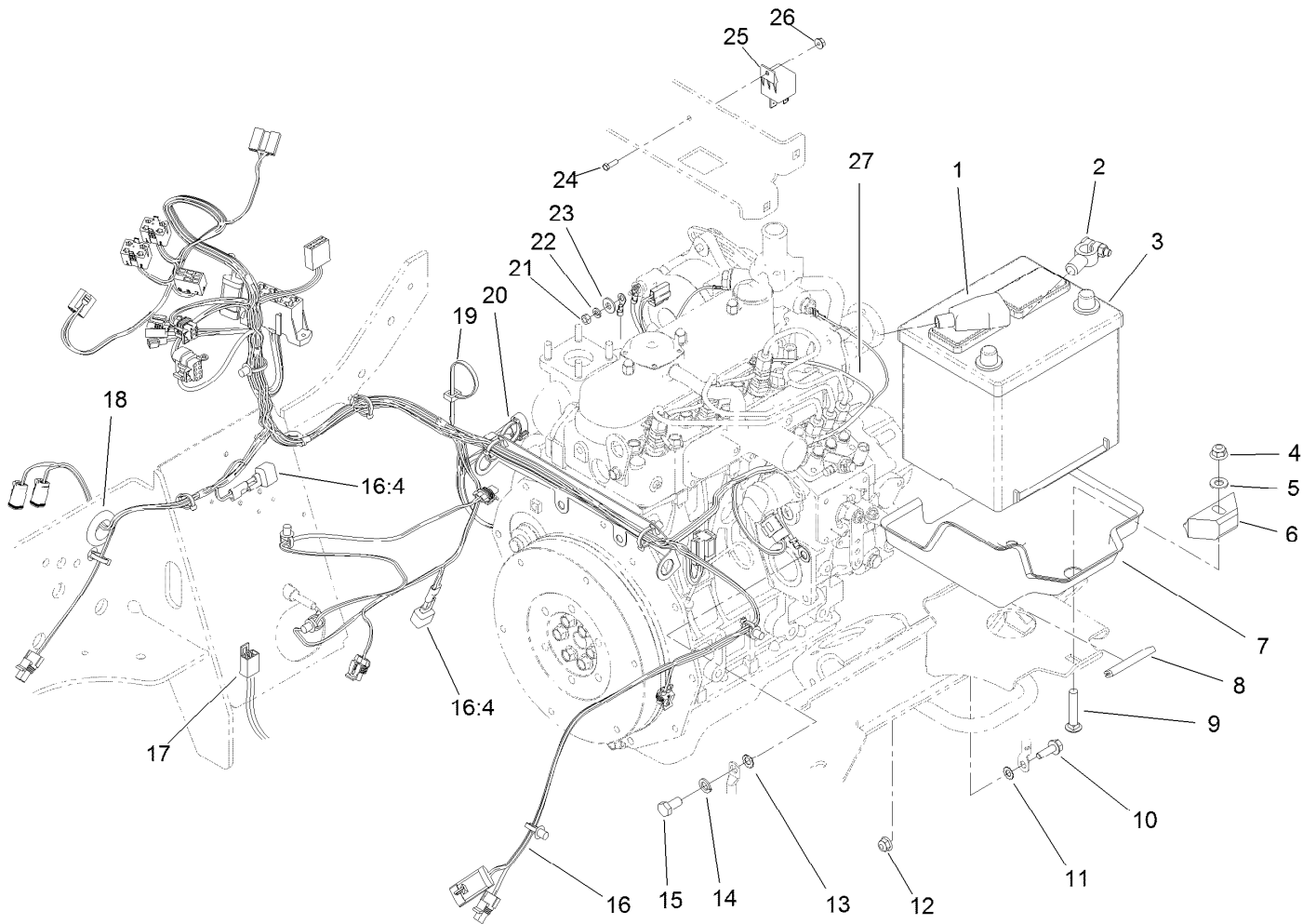
Ref.	Part Number	Qty.	Description
1	108-9956	1	Tire And Wheel ASM
1:1	108-9955	1	Tire
1:2	1-633987	1	Wheel
1:3	1-633584	2	Bearing-Cup
2	1-633959	1	Spacer-Caster, Front
3	1-633581	2	Spacer-Bearing
4	325-39	1	Screw-HH
5	3296-25	1	Nut-Lock, NI
6	1-633585	2	Bearing-Cone, Taper
7	1-633580	2	Seal-Bearing



Deck Lift Assembly

<i>Ref.</i>	<i>Part Number</i>	<i>Qty.</i>	<i>Description</i>
1	104-5895	1	Screw-HH
2	3296-61	4	Nut-Lock
3	117-9220-03	1	Shaft-Lift
4	114-4059	2	Link ASM
4:2	3220-6	2	Nut-Jam
4:3	1-633029	2	Balljoint-Spherical
5	99-5107	4	Nut-Lock
6	115-0491	4	Cap-Bearing
7	32128-37	8	Nut-HF
8	1-633447	4	Chain-Lift, Deck
12			Fitting-Grease
13			Lift-LH
14			Lift-RH
15			Screw-HH
16			Washer
17			Ring-Retaining

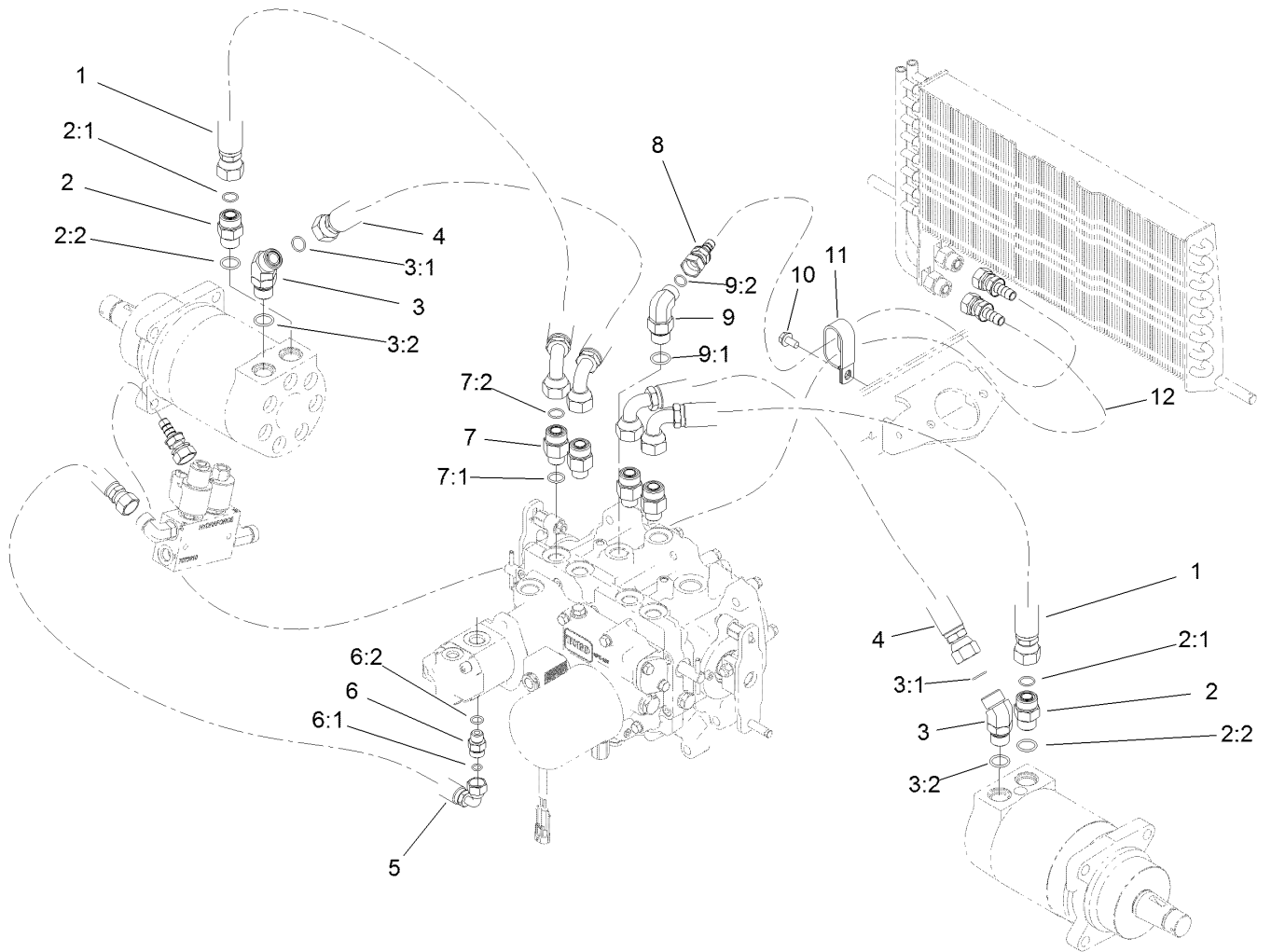
<i>Ref.</i>	<i>Part Number</i>	<i>Qty.</i>	<i>Description</i>
9	103-1898	4	Screw-HH
10	117-2903	2	Plate-Bearing
11	325-20	4	Screw-HH
12	302-2	2	Fitting-Grease
13	110-9818-03	1	Lift-LH
14	110-9820-03	1	Lift-RH
15	327-22	3	Screw-HH
16	69-9010	2	Washer
17	32151-29	2	Ring-Retaining



Electrical Assembly

Ref.	Part Number	Qty.	Description	Ref.	Part Number	Qty.	Description
1	119-1796	1	Cable-Battery, Positive	16:1	94-6710	1	Fuse-2 Amp ●
2	105-0040	1	Cable-Battery, Negative	16:2	218-578	2	Fuse-Blade, 10 Amp ●
3	106-5187	1	Battery	16:3	109355	1	Fuse-Blade, 15 Amp ●
4	104-8301	1	Nut-Flange, NI	16:4	100-4918	2	Diode
5	3256-24	1	Washer-Flat	17	108-8657	1	Harness-Wire, Seat
6	66-2490	1	Retainer-Battery	18	237-165	1	Grommet
7	108-9928	1	Tray-Battery	19	3290-378	5	Tie-Cable
8	110-8276	1	Trim-Hold Down, Battery	20	32180-030	2	Clip-Tie
9	3231-6	1	Screw-CARR	21	33013-00	1	Nut-Hex
10	3234-17	1	Screw-HHF	22	43-5930	1	Washer-Lock, Spring
11	3255-8	1	Washer-Lock	23	3256-2	1	Washer-Flat
12	104-8300	1	Nut-Flange, NI	24	3290-134	2	Screw
13	3255-9	1	Washer-Lock	25	99-7435	1	Relay-Power
14	48-9590	1	Washer-Lock	26	3290-148	2	Nut-HF
15	63-7790	1	Screw-Cap	27	99-3441	1	Harness-Wire, Fusible Link
16	119-4380	1	Harness-Wire, Main				

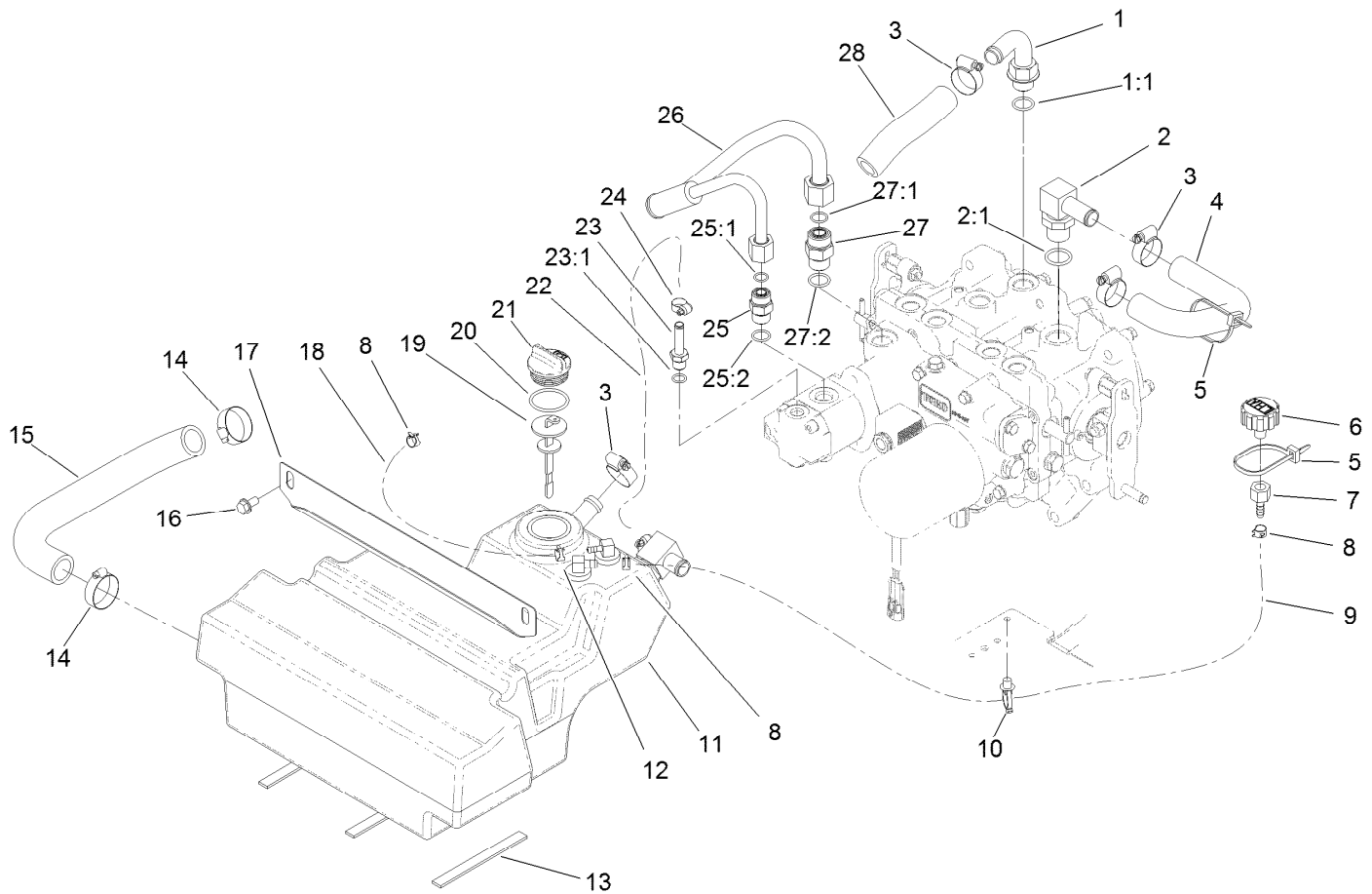
● Not illustrated



Transmission and Oil Cooler Hydraulic Assembly

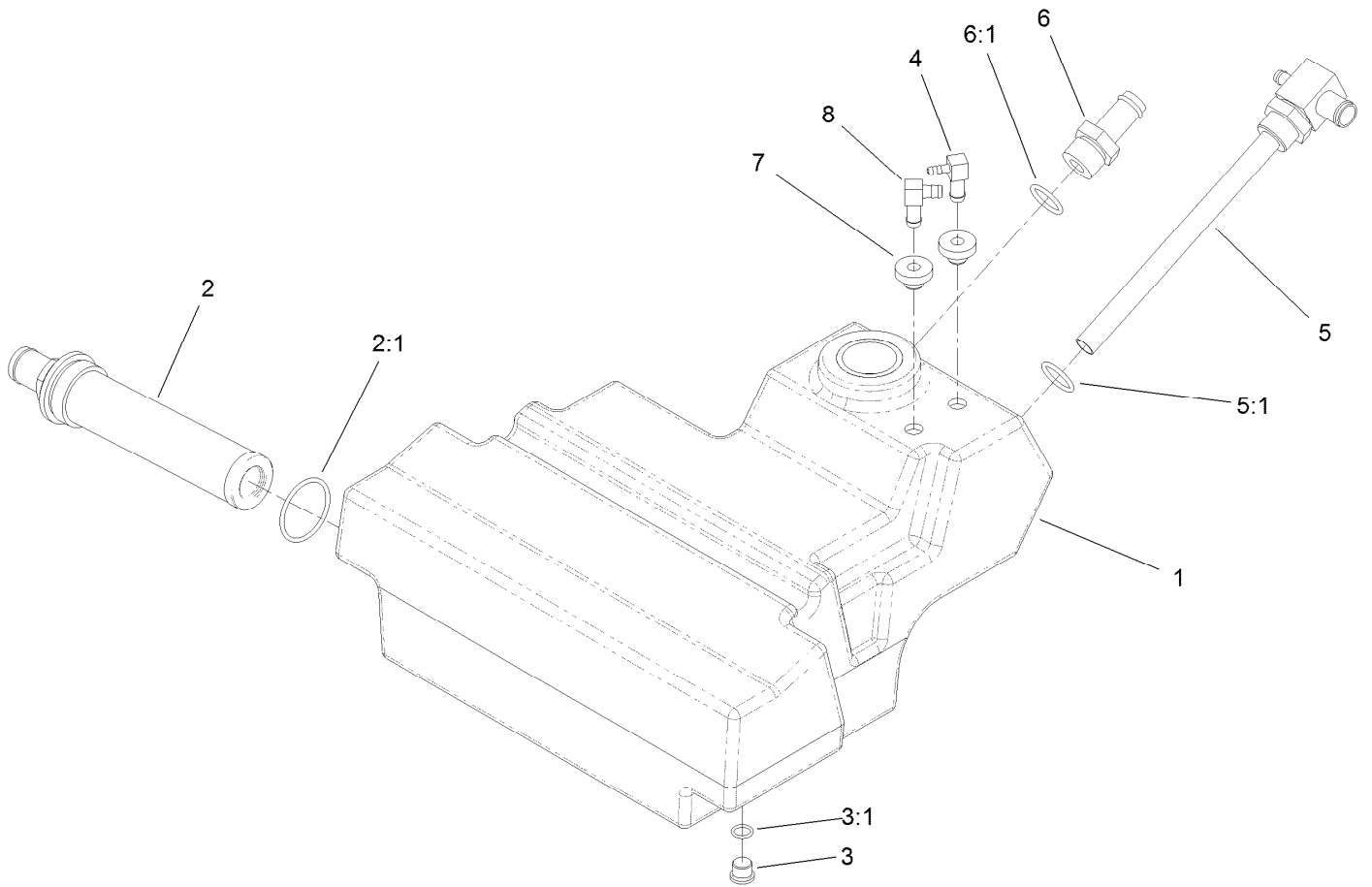
Ref.	Part Number	Qty.	Description
1	112-1683	2	Hose ASM
2	340-7	2	Adapter
2:1	237-65	1	O-Ring
2:2	237-80	1	O-Ring
3	340-14	2	Fitting-HYD, 45 DEG
3:1	237-65	1	O-Ring
3:2	237-80	1	O-Ring
4	110-5518	2	Hose ASM
5	94-5961	1	Hose ASM
6	340-2	1	Fitting-HYD, Straight
6:1	237-22	1	O-Ring

Ref.	Part Number	Qty.	Description
6:2	237-42	1	O-Ring
7	340-155	4	Fitting-HYD, Straight
7:1	237-79	1	O-Ring
7:2	237-151	1	O-Ring
8	110-5542	1	HYD Hose ASM
9	340-105	1	Fitting-HYD, 90 DEG
9:1	237-80	1	O-Ring
9:2	237-30	1	O-Ring
10	32144-14	1	Screw-HWHTF
11	2412-137	1	Clamp-R, Double
12	110-5543	1	HYD Hose ASM



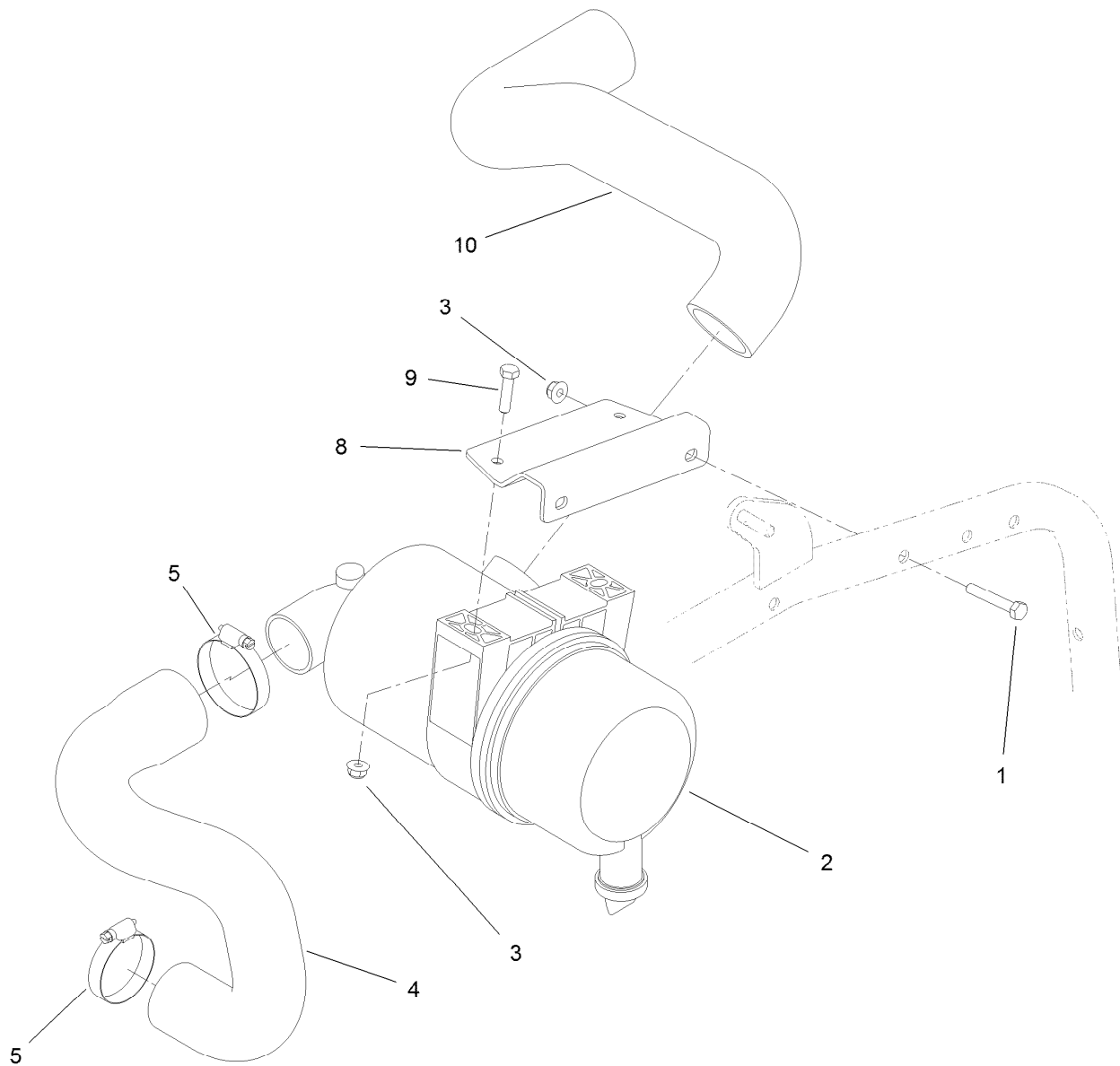
Hydraulic Reservoir Assembly

Ref.	Part Number	Qty.	Description	Ref.	Part Number	Qty.	Description
1	110-5522	1	Fitting-Elbow, 90	16	32144-14	2	Screw-HWHTF
1:1	237-80	1	O-Ring	17	110-5529-03	1	Support-Reservoir
2	353-987	1	Fitting-HYD, 90 DEG (Barbed)	18	109-0299	1	Hose-Fuel
2:1	237-81	1	O-Ring	19	112-6365	1	Dipstick ASM
3	2412-129	4	Clamp-Hose	20	94-8166	1	O-Ring
4	110-5524	1	Hose-Return	21	93-7498	1	Plug-Plastic
5	3290-379	2	Tie-Cable	22	94-5625	1	Hose-Overflow, Radiator
6	68-6150	1	Breather	23	353-979	1	Fitting-Straight
7	354-95	1	Fitting-Straight	23:1	237-42	1	O-Ring
8	92-2379	3	Clamp-Hose	24	2412-108	2	Clamp-Worm
9	110-9662	1	Hose-Fuel	25	340-4	1	Fitting-HYD, Straight
10	32180-030	1	Clip-Tie	25:1	237-30	1	O-Ring
11	110-8237	1	Hydraulic Reservoir ASM	25:2	237-79	1	O-Ring
12	2412-98	1	Clamp-Hose	26	110-5532	1	Tube ASM
13	120-0017	3	Strip-Foam	27	340-7	1	Adapter
14	2412-34	2	Clamp-Hose	27:1	237-65	1	O-Ring
15	110-5526	1	Hose-Suction	27:2	237-80	1	O-Ring
				28	112-1680	1	Hose-HYD



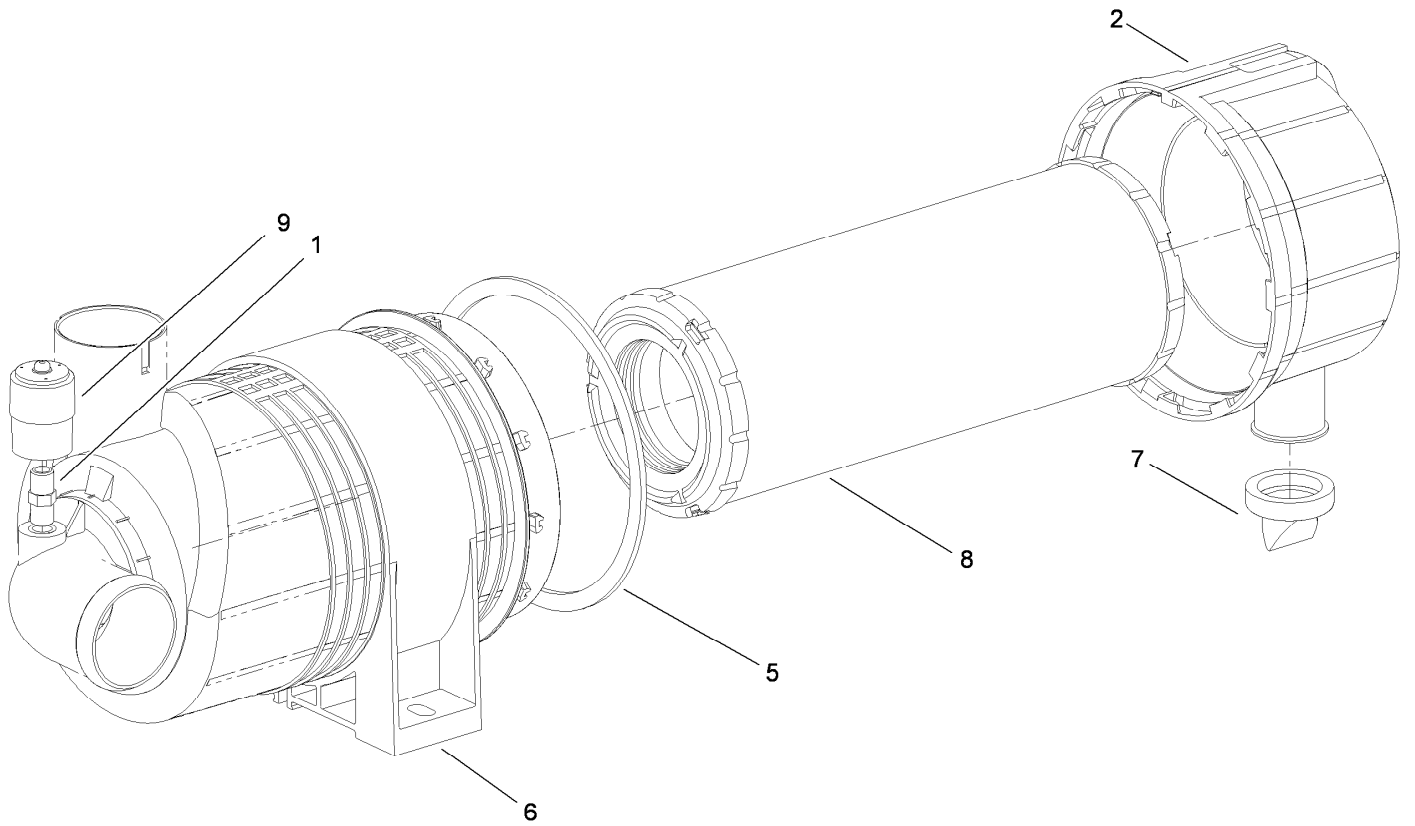
Hydraulic Reservoir Assembly No. 110-8237

<i>Ref.</i>	<i>Part Number</i>	<i>Qty.</i>	<i>Description</i>
1	108-5200	1	Reservoir-Hydraulic
2	104-7546	1	Strainer-Tank
2:1	340-136	1	O-Ring
3	353-989	1	Plug-Hex, Hollow
3:1	237-42	1	O-Ring
4	104-5228	1	Fitting-Elbow, 90 DEG
5	108-9894	1	Fitting-Elbow, Special
5:1	237-81	1	O-Ring
6	354-73	1	Fitting-Straight
6:1	237-81	1	O-Ring
7	46-6560	2	Bushing
8	46-6550	1	Fitting-Elbow, 90 DEG



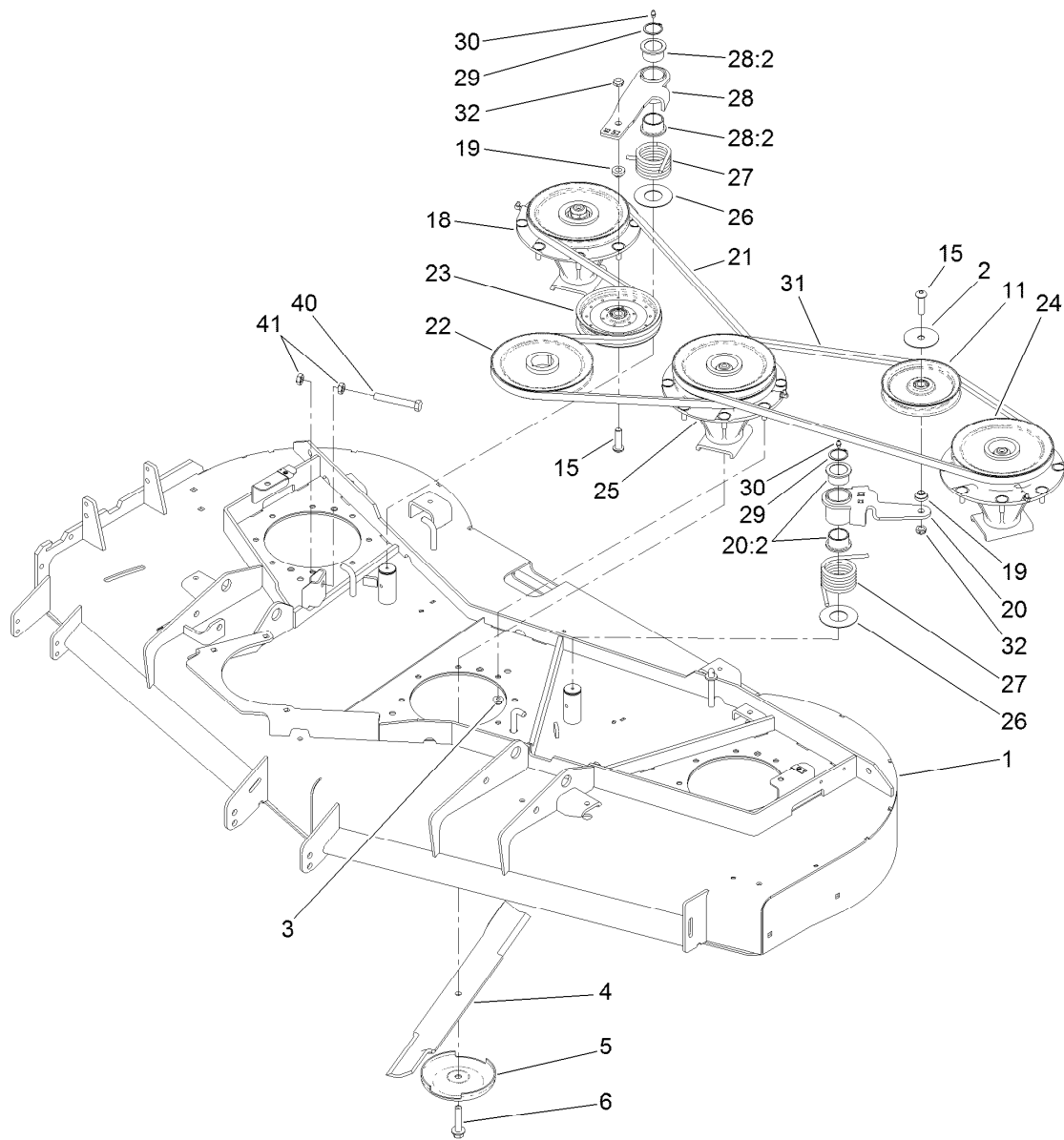
Air Cleaner and Hose Assembly

<i>Ref.</i>	<i>Part Number</i>	<i>Qty.</i>	<i>Description</i>
1	322-10	2	Screw-HH
2	104-3428	1	Air Cleaner ASM
3	104-8300	4	Nut-Flange, NI
4	105-7236	1	Hose-Inlet, Air
5	2412-130	2	Clamp-Hose
8	108-9843-03	1	Support-Cleaner, Air
9	322-6	2	Screw-HH
10	105-7281	1	Hose-Air Inlet, Upper



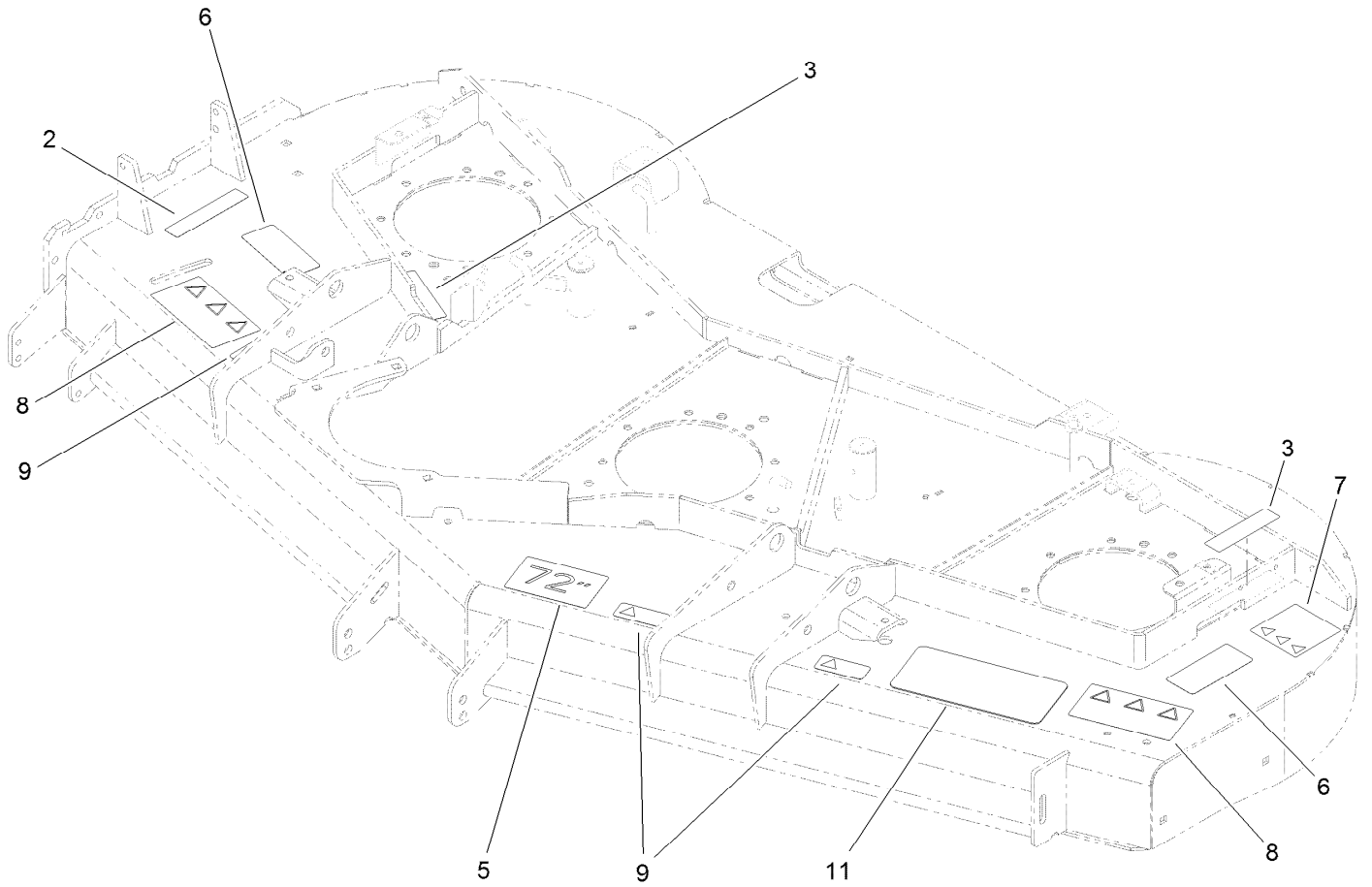
Air Cleaner Assembly No. 104-3428

<i>Ref.</i>	<i>Part Number</i>	<i>Qty.</i>	<i>Description</i>
1	105-4292	1	Nipple-Pipe
2	104-0497	1	Cover
5	104-4897	1	Gasket
6	98-4525	1	Bracket-Cleaner, Air
7	104-0498	1	Valve-Vacuator
8	108-3810	1	Filter-Air
9	93-9164	1	Indicator-Mini



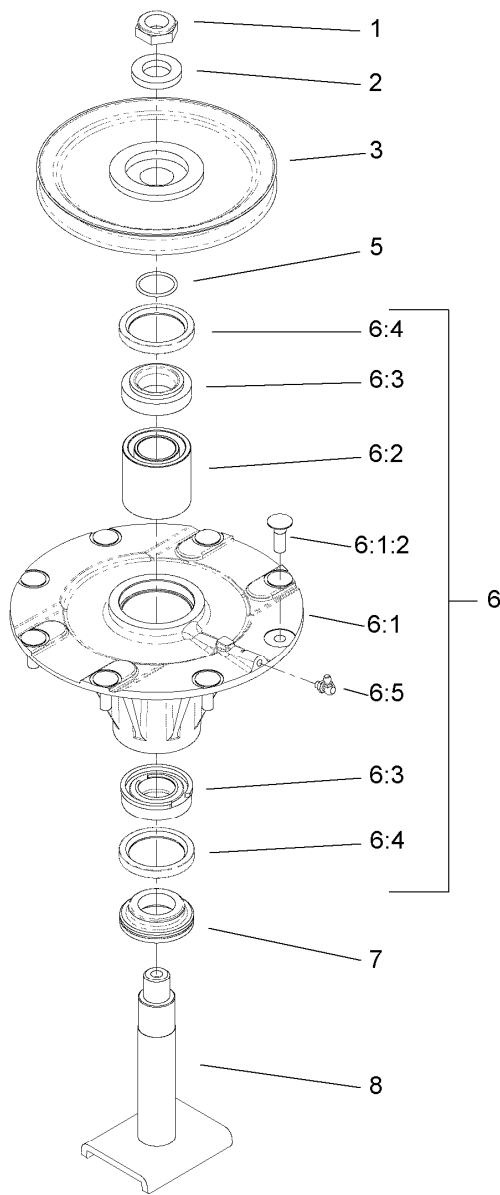
Deck, Spindle, Blade, Belt and Pulley Assembly

Ref.	Part Number	Qty.	Description	Ref.	Part Number	Qty.	Description
1	108-9901	1	Deck ASM	22	107-4767	1	Pulley ASM
2	100-3102	1	Washer-Flat	23	110-9596	1	Pulley-Idler
3	104-8301	24	Nut-Flange, NI	24	117-9233	1	High Spindle ASM
4	110-0621-03	3	Blade-Medium Flow	25	117-9234	1	Double Spindle ASM
4	110-0622-03	3	Blade-Rotary, High Flow	26	108-1926	2	Washer
4	110-0624-03	3	Blade-Rotary, Atomic	27	108-1921	2	Spring-Torsion
5	72-9361	3	Cup-Scalp, Anti	28	108-1930	1	Idler Arm ASM
6	92-5816	3	Bolt-Blade	28:2	93-4510	2	Bushing-Caster
11	01-268-0160	1	Pulley-Idler	29	32120-84	2	Ring-Snap, External
15	108-1993	2	Screw-HSBH	30	302-5	2	Fitting-Grease
18	119-4778	1	Spindle ASM	31	110-9591	1	Belt-V
19	108-1924	2	Spacer-Idler	32	3296-45	2	Nut-Lock, NI
20	117-9176	1	Idler Arm ASM	40	325-14	1	Screw-HH
20:2	93-4510	2	Bushing-Caster	41	3218-5	2	Nut-Jam
21	110-9590	1	Belt-V				



Deck Decal Assembly No. 108-9901

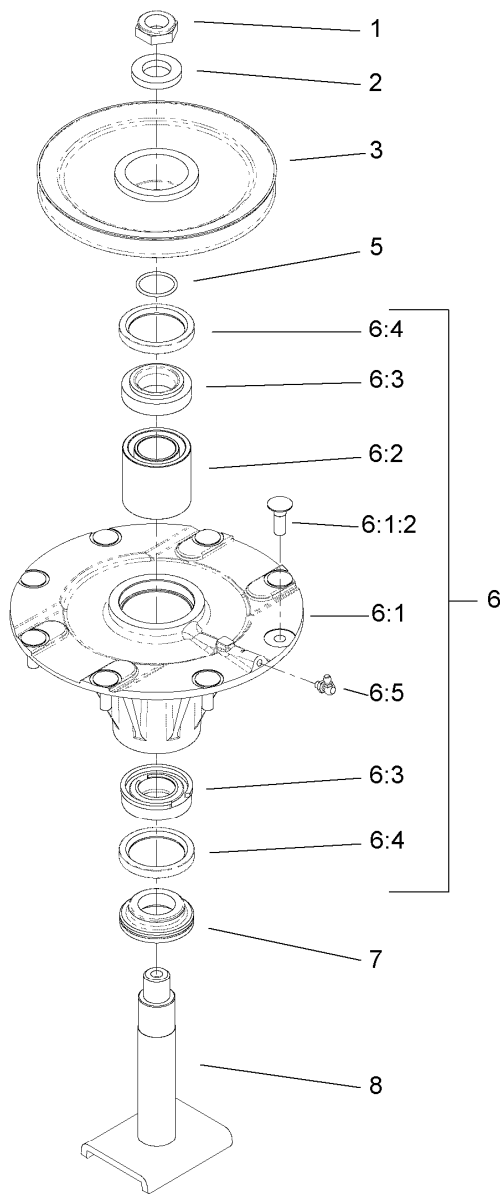
<i>Ref.</i>	<i>Part Number</i>	<i>Qty.</i>	<i>Description</i>
2	107-2916	1	Decal-Warning
3	117-4979	2	Decal-Warning, Shields
5	57-0280	1	Decal
6	93-7818	2	Decal-Torque, Blade Bolt
7	120-6604	1	Decal-Danger
8	107-2908	2	Decal-Danger, Combination
9	93-6696	3	Decal-Warning
11	110-0988	1	Tread-Floor, Side



Spindle Assembly No. 119-4778

Ref.	Part Number	Qty.	Description
1	3296-60	1	Nut-Lock, NI
2	104-8322	1	Washer-Hardened
3	104-3546	1	Pulley-Driven, Low
5	106-7159	1	O-Ring
6	119-4777	1	Spindle ASM
6:1		1	Spindle Assembly ●
6:1:2	114-8195	8	Bolt-Ribbed Neck
6:2	108-1954	1	Spacer Set-Bearing
6:3	110-8297	1	Bearing ASM
6:4	253-154	2	Seal-Oil
6:5	302-60	1	Fitting-Grease
7	69-6950	1	Spacer-Shaft, Spindle
8	108-1956	1	Shaft ASM

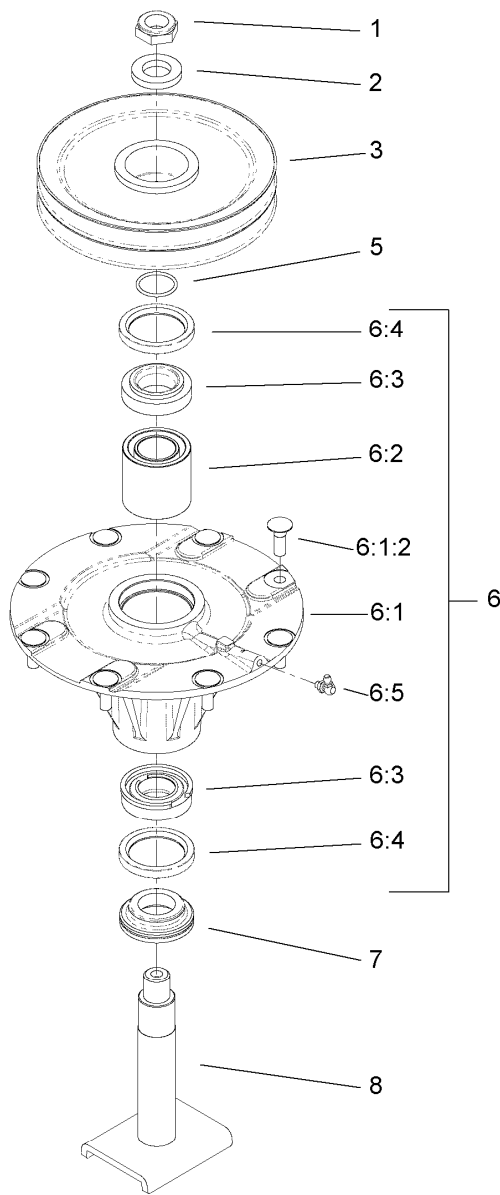
● Not serviced separately



High Spindle Assembly No. 117-9233

Ref.	Part Number	Qty.	Description
1	3296-60	1	Nut-Lock, NI
2	104-8322	1	Washer-Hardened
3	104-3548	1	Pulley-Driven, High
5	106-7159	1	O-Ring
6	119-4777	1	Spindle ASM
6:1		1	Spindle Assembly ●
6:1:2	114-8195	8	Bolt-Ribbed Neck
6:2	108-1954	1	Spacer Set-Bearing
6:3	110-8297	1	Bearing ASM
6:4	253-154	2	Seal-Oil
6:5	302-60	1	Fitting-Grease
7	69-6950	1	Spacer-Shaft, Spindle
8	108-1956	1	Shaft ASM

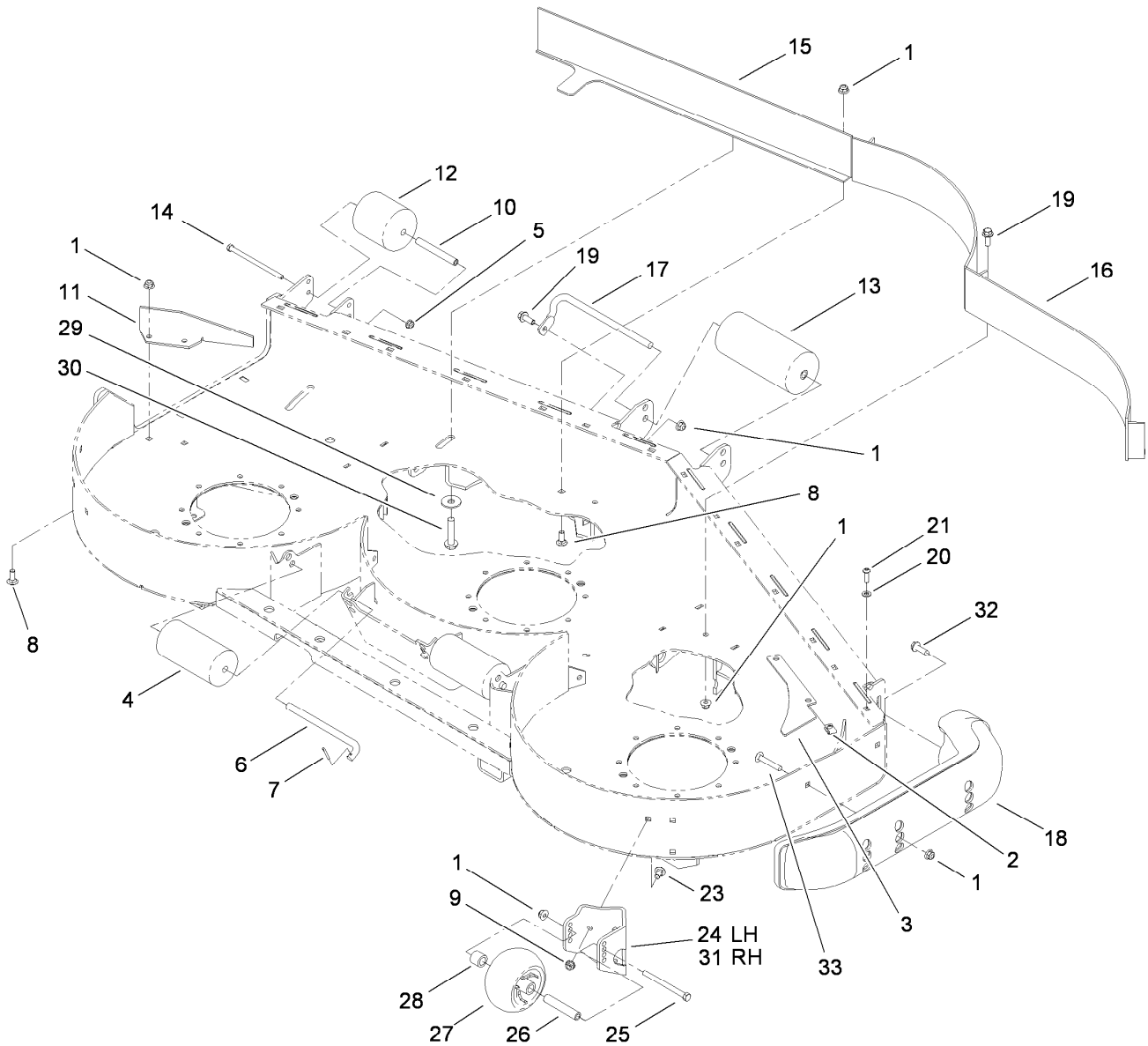
● Not serviced separately



Double Driven Spindle Assembly No. 117-9234

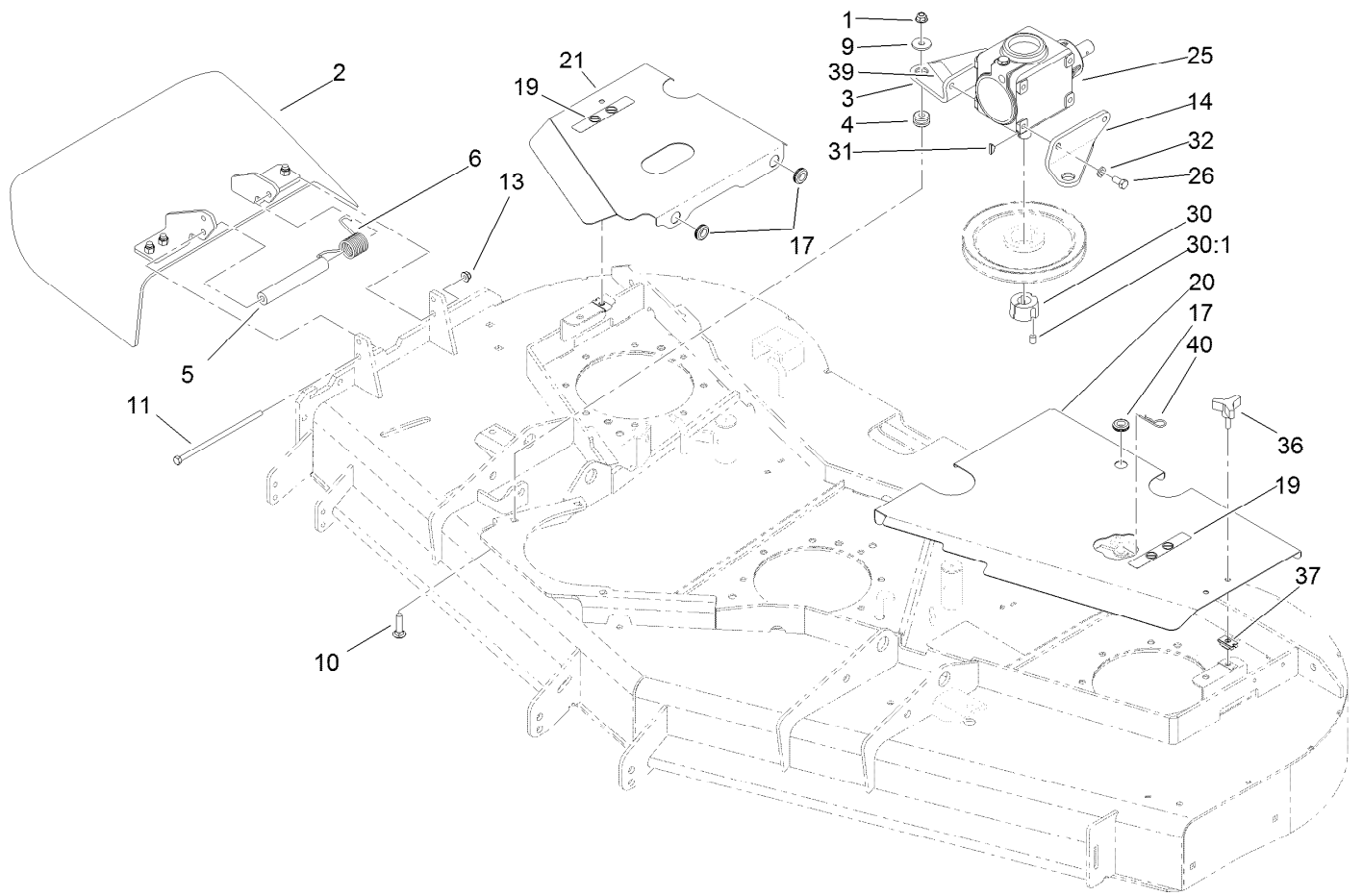
Ref.	Part Number	Qty.	Description
1	3296-60	1	Nut-Lock, NI
2	104-8322	1	Washer-Hardened
3	104-3547	1	Pulley-Driven, Double
5	106-7159	1	O-Ring
6	119-4777	1	Spindle ASM
6:1		1	Spindle Assembly ●
6:1:2	114-8195	8	Bolt-Ribbed Neck
6:2	108-1954	1	Spacer Set-Bearing
6:3	110-8297	1	Bearing ASM
6:4	253-154	2	Seal-Oil
6:5	302-60	1	Fitting-Grease
7	69-6950	1	Spacer-Shaft, Spindle
8	108-1956	1	Shaft ASM

● Not serviced separately



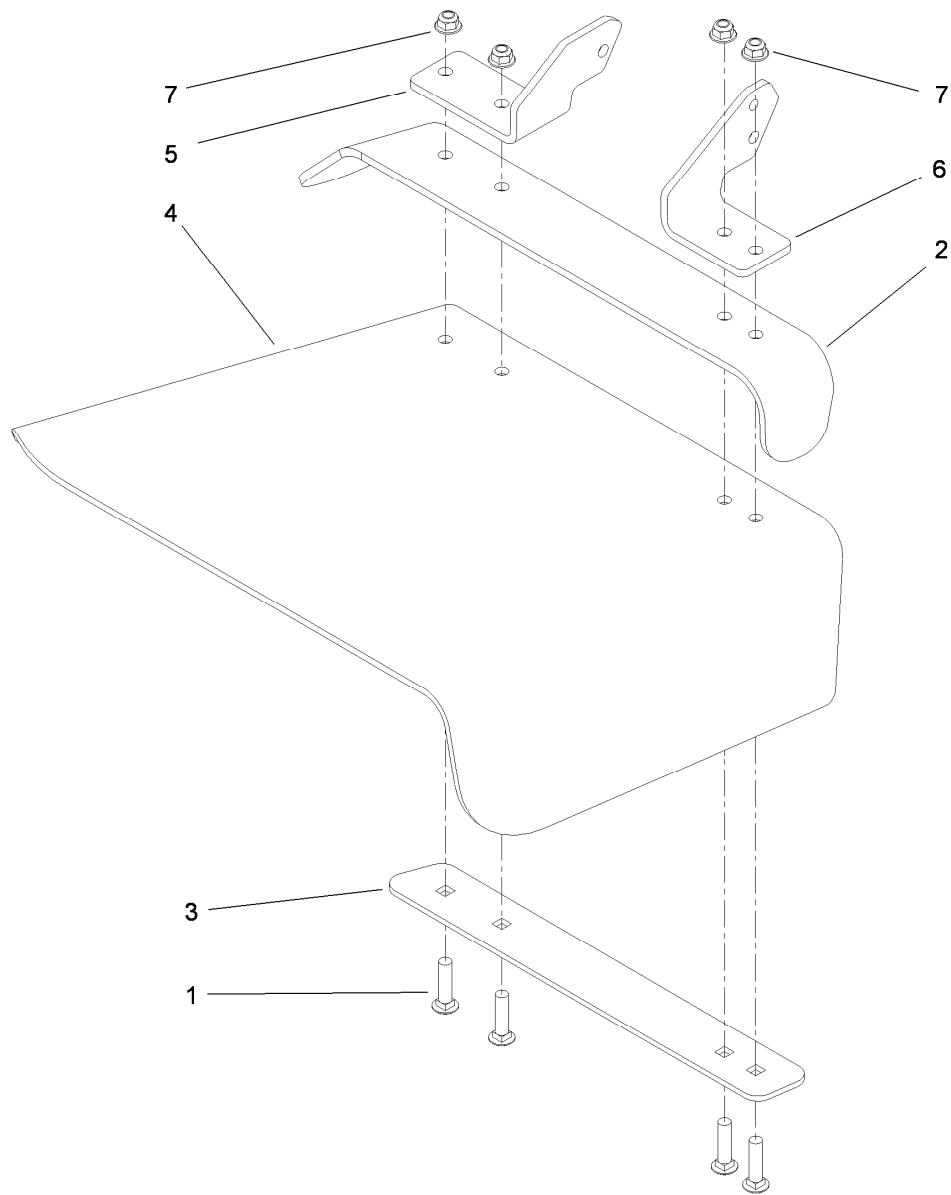
Roller and Baffle Assembly

Ref.	Part Number	Qty.	Description	Ref.	Part Number	Qty.	Description
1	104-8301	11	Nut-Flange, NI	17	68-6840	1	Shaft-Roller
2	112-3306	2	Nut	18	112-1479	1	Skid-Bumper, Deck
3	115-1396	1	Plate-Turbo	19	3234-42	4	Screw-HHF
4	36-1740	2	Roller-Deck	20	3256-23	2	Washer-Flat
5	104-8300	1	Nut-Flange, NI	21	3274-104	2	Screw-HSBH
6	40-0340	2	Shaft-Roller, Rear	23	3231-1	6	Screw-CARR
7	3272-11	2	Pin-Cotter	24	106-7354-01	1	Mount-Wheel, LH
8	3231-2	3	Bolt-CARR	25	323-23	2	Screw-HH
9	3290-357	6	Nut-HHF, Whiz	26	98-7912	2	Tube-Spanner
10	105-4549	1	Spacer-Roller	27	1-603299	2	Roller-Scalp, Anti
11	106-3216-01	1	Baffle-Discharge	28	98-7913	2	Tube-Spacer
12	93-4803	1	Roller-Deck	29	105-7697	2	Washer-Plastic
13	68-6710	1	Roller	30	3234-46	2	Screw-HHF
14	322-49	1	Bolt-HH	31	106-7355-01	1	Mount-Wheel, RH
15	105-7669-01	1	Baffle	32	9136144	1	Screw-HWHTF
16	105-7730-01	1	Baffle	33	3231-33	2	Screw-CARR



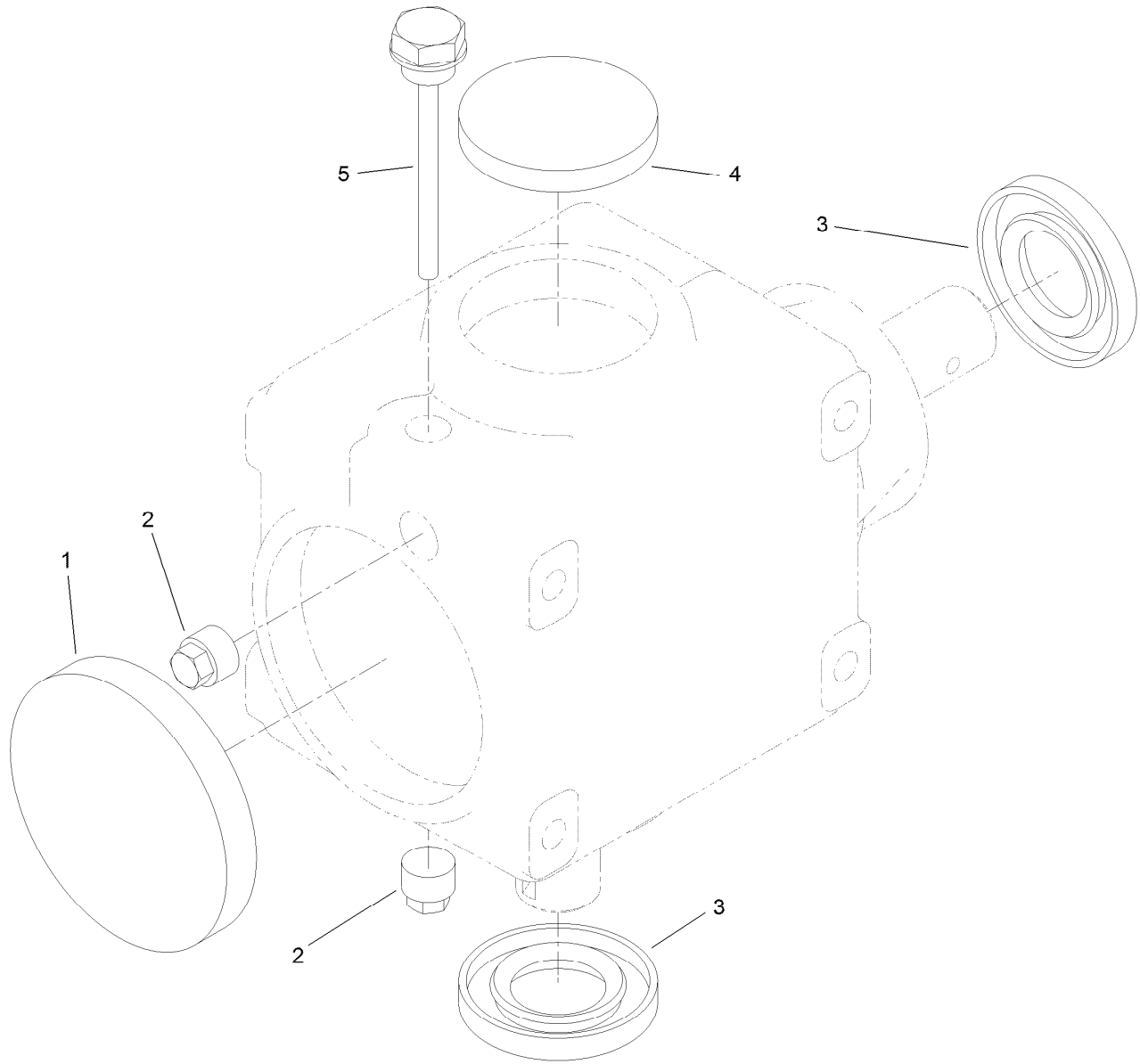
Belt Cover, Gearbox and Baffle Assembly

<i>Ref.</i>	<i>Part Number</i>	<i>Qty.</i>	<i>Description</i>	<i>Ref.</i>	<i>Part Number</i>	<i>Qty.</i>	<i>Description</i>
1	104-8301	3	Nut-Flange, NI	20	112-1455-03	1	Cover-Deck, LH
2	108-2792	1	Rubber Deflector ASM	21	112-1456-03	1	Cover-Deck, RH
3	110-6385-03	1	Bracket-Gearbox, RH	25	117-9245-03	1	Gearbox ASM
4	63-9750	3	Mount	26	323-4	4	Screw-HH
5	105-4622	1	Spacer	30	23-1640	1	Bushing-Taperlock
6	108-4052	1	Spring-Torsion	30:1	3247-4	2	Screw-Set
9	63-8410	3	Washer	31	3257-5	1	Key-Woodruff
10	3231-26	3	Screw-CARR	32	3253-21	4	Washer-Lock
11	112-9557	1	Screw-HH	36	106-2240	2	Knob
13	104-8300	1	Nut-Flange, NI	37	110-3510	2	Nut-Retainer
14	110-6384-03	1	Bracket-Gearbox, LH	39	93-6697	1	Decal-Lube
17	112-9559	4	Grommet	40	9335054	1	Pin-Hair
19	93-6687	2	Decal-No Step				



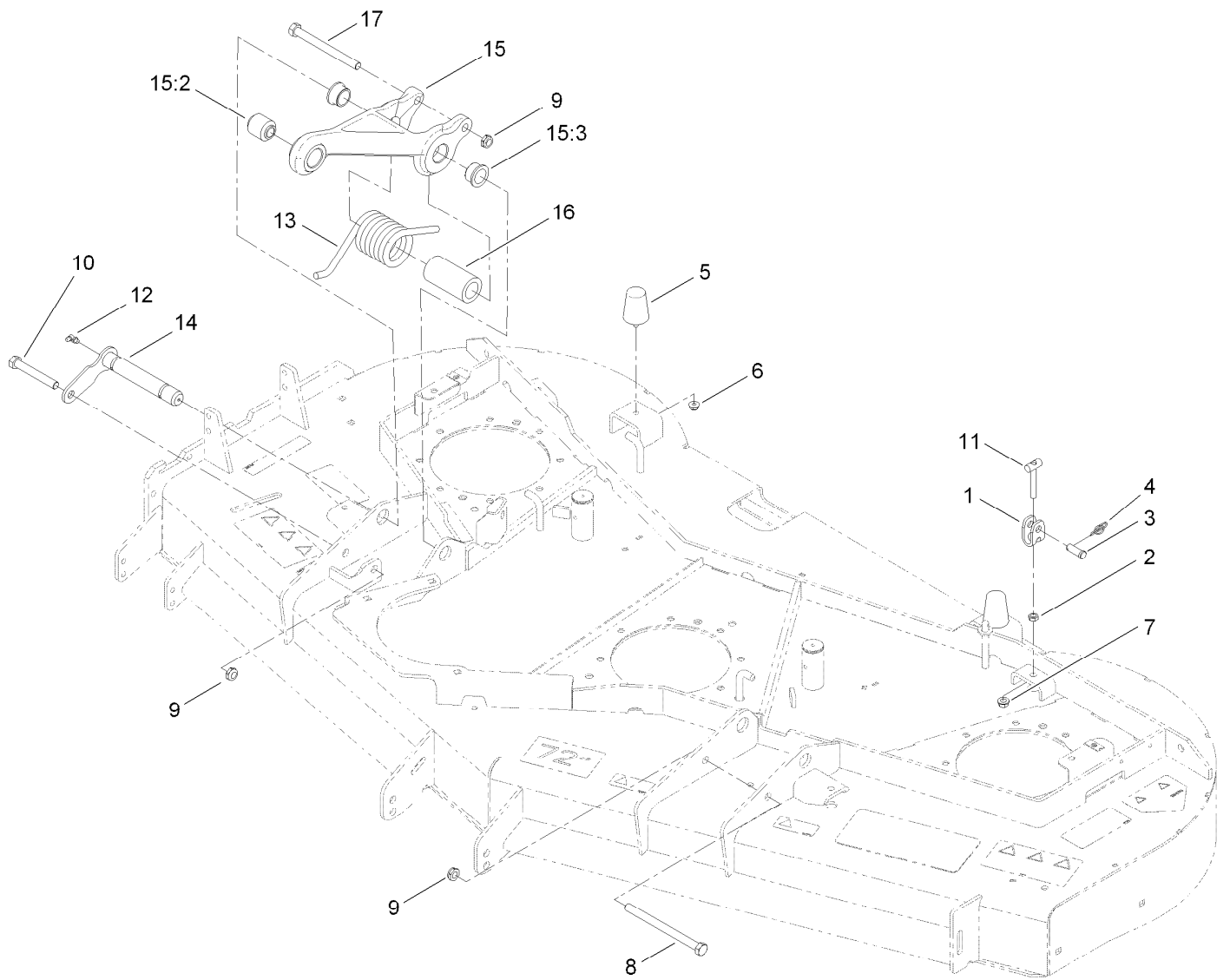
Rubber Deflector Assembly No. 108-2792

<i>Ref.</i>	<i>Part Number</i>	<i>Qty.</i>	<i>Description</i>
1	3231-4	4	Screw-CARR
2	106-3246-01	1	Deflector
3	106-3248-03	1	Strap-Discharge
4	108-5029	1	Deflector-Rubber
5	108-4059-01	1	Plate-Hinge, Rear
6	106-3253-01	1	Plate-Hinge, Front
7	104-8301	4	Nut-Flange, NI



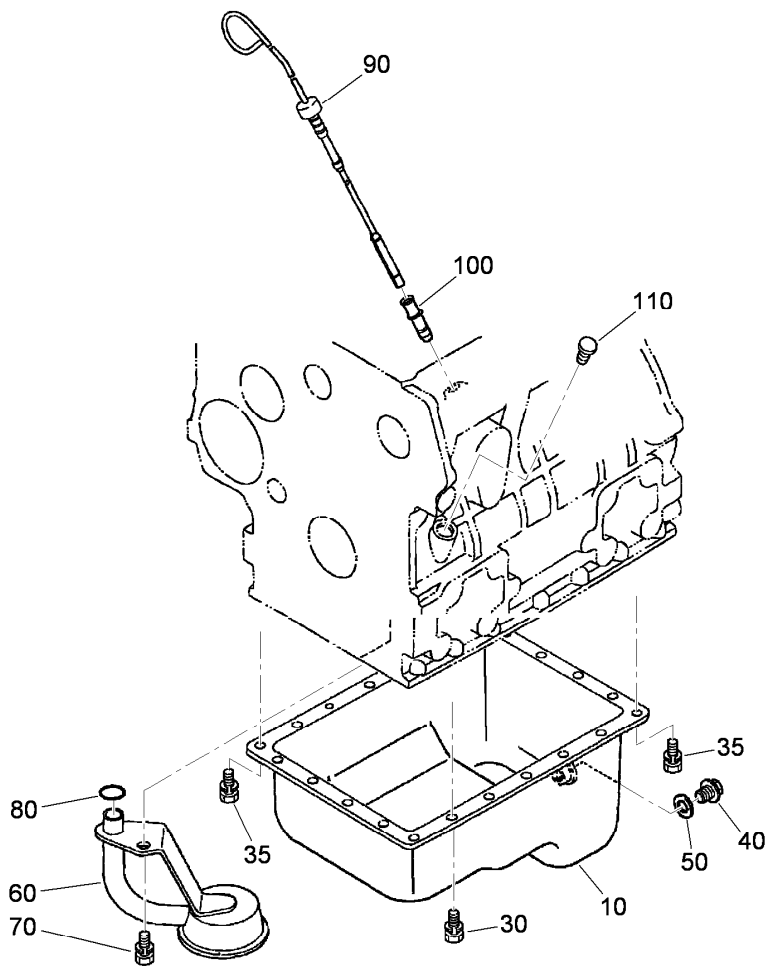
Gearbox Assembly No. 117-9245-03

<i>Ref.</i>	<i>Part Number</i>	<i>Qty.</i>	<i>Description</i>
1	107-2932	1	Cap-Oil
2	107-2933	2	Plug
3	117-9247	2	Seal
4	107-2935	1	Cap-Oil
5	110-8283	1	Plug-Filler, Dipstick



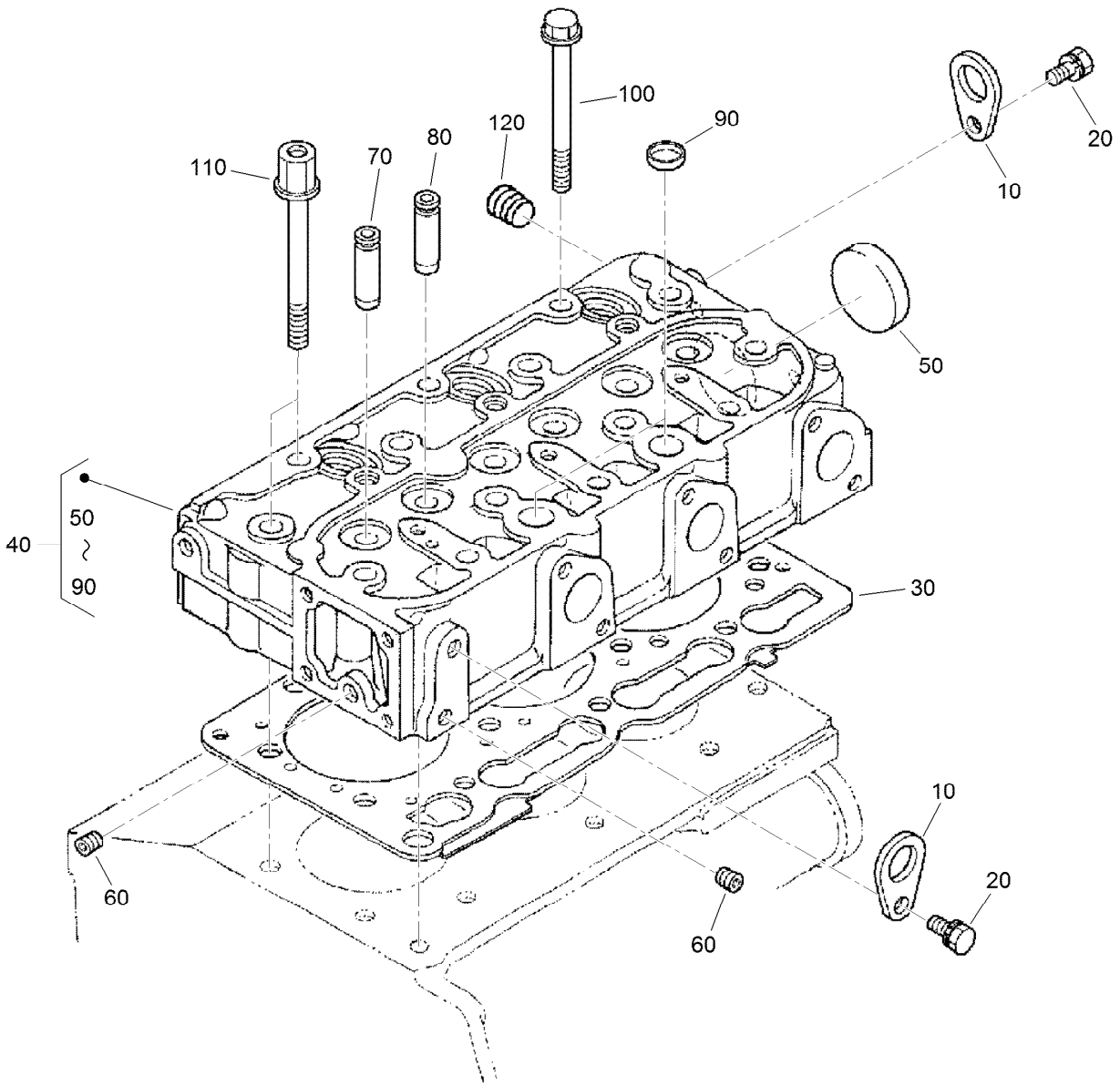
Adjustment Link and Bumper Assembly

<i>Ref.</i>	<i>Part Number</i>	<i>Qty.</i>	<i>Description</i>	<i>Ref.</i>	<i>Part Number</i>	<i>Qty.</i>	<i>Description</i>
1	115-1429	4	Yoke-Clevis	11	115-1431	4	T-Bar ASM
2	3218-3	4	Nut-Jam	12	302-60	4	Fitting-Grease
3	700601	4	Pin-Clevis	13	110-9828	2	Spring-Torsion
4	112-1491	4	Pin-Cotter	14	112-1622	2	Pin
5	110-5070	2	Bumper	15	112-1625	2	Pull Link ASM
6	104-8300	2	Nut-Flange, NI	15:2	107-2328	1	Bushing
7	3290-357	4	Nut-HHF, Whiz	15:3	114-5680	2	Bushing-Flange
8	325-33	1	Screw-HH	16	110-9845	2	Spacer-Plain
9	3296-45	4	Nut-Lock, NI	17	325-22	2	Screw-HH
10	325-14	1	Screw-HH				



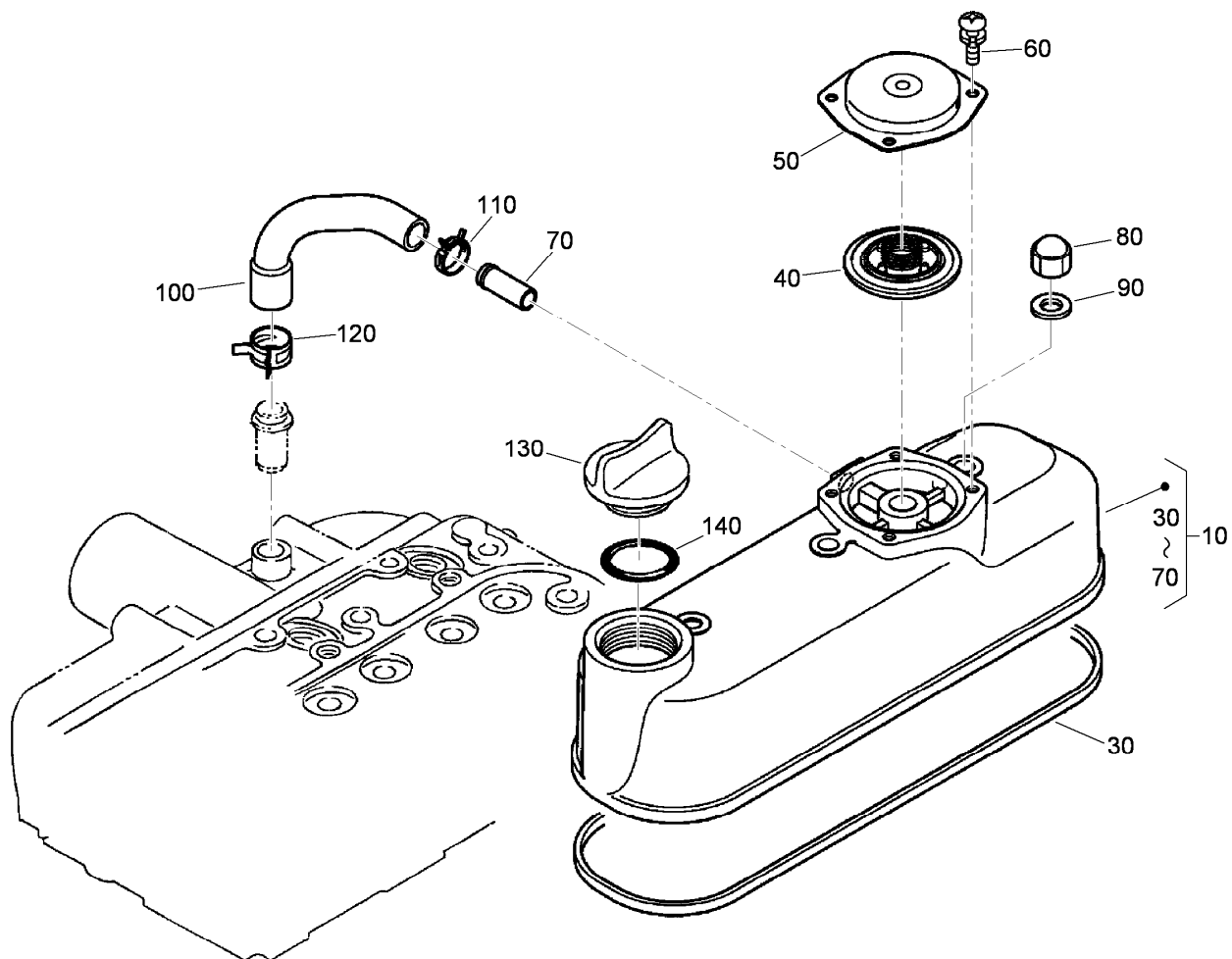
Dipstick, Guide and Oil Pump Assembly

<i>Ref.</i>	<i>Part Number</i>	<i>Qty.</i>	<i>Description</i>
10	112-0179	1	Pan-Oil
30	98-9351	20	Bolt
35	98-9351	2	Bolt
40	114-8151	1	Plug-Drain
50	98-7524	1	Gasket
60	112-7044	1	*obs* Head-Filter
70	98-7526	1	Bolt
80	105-3776	1	O-Ring
90	107-9076	1	Gauge-Oil
100	105-4580	1	Guide-Gauge, Oil
110	100-9169	1	*obs* Plug-Gauge, Oil



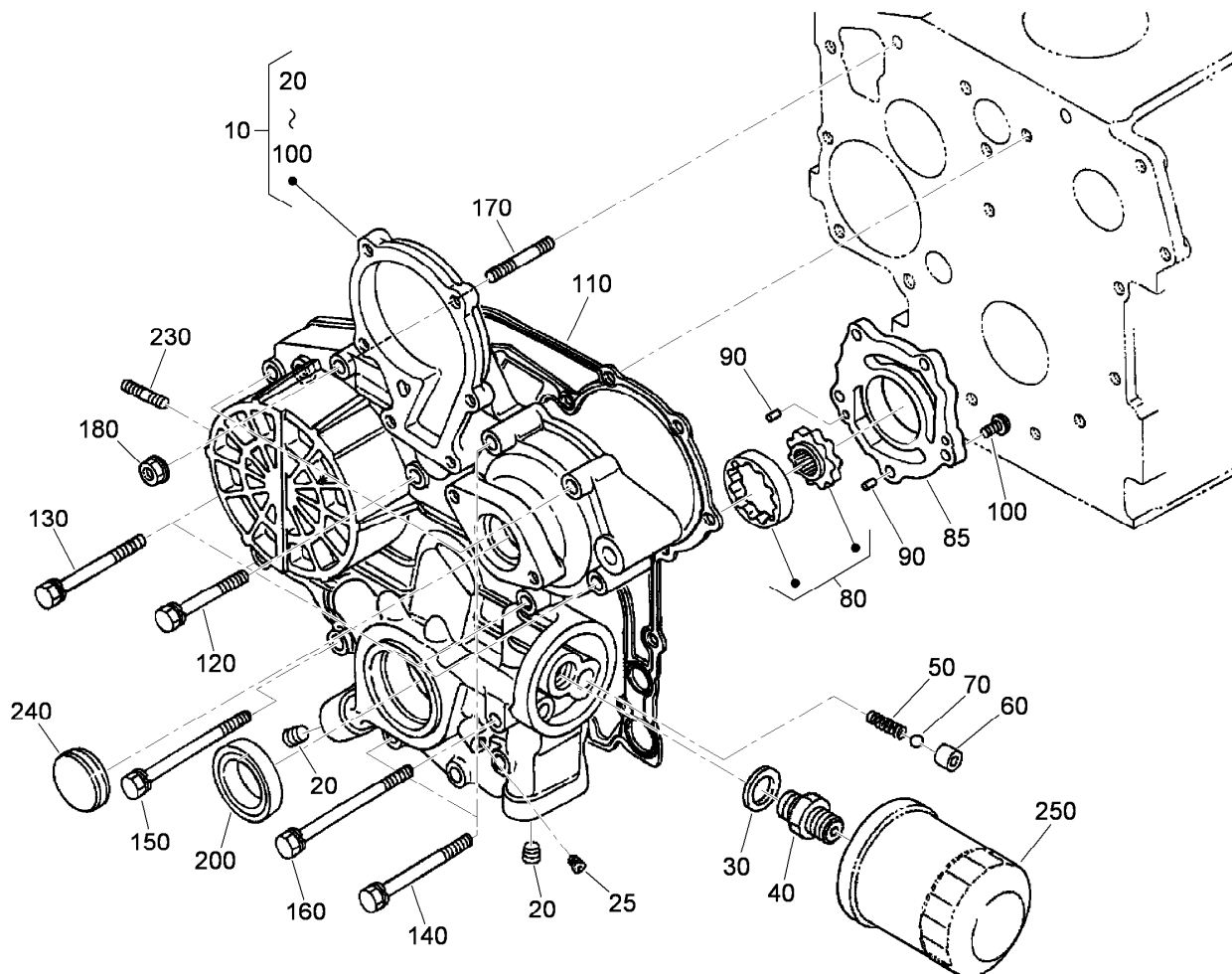
Cylinder Head Assembly

Ref.	Part Number	Qty.	Description
10	98-7531	2	Hook-Engine
20	100-9195	2	Bolt
30	108-6573	1	Gasket-Head, Cylinder
40	115-3445	1	Cylinder Head ASM
50	105-3705	1	Cap-Sealing
60	98-7540	2	Plug
70	107-9066	3	Guide-Valve, Inlet
80	107-9067	3	Guide-Valve, Exhaust
90	98-9389	2	Cap-Sealing
100	98-9479	12	Bolt-Head, Cylinder
110	98-9647	2	Bolt-Head, Cylinder
120	98-9444	1	Plug



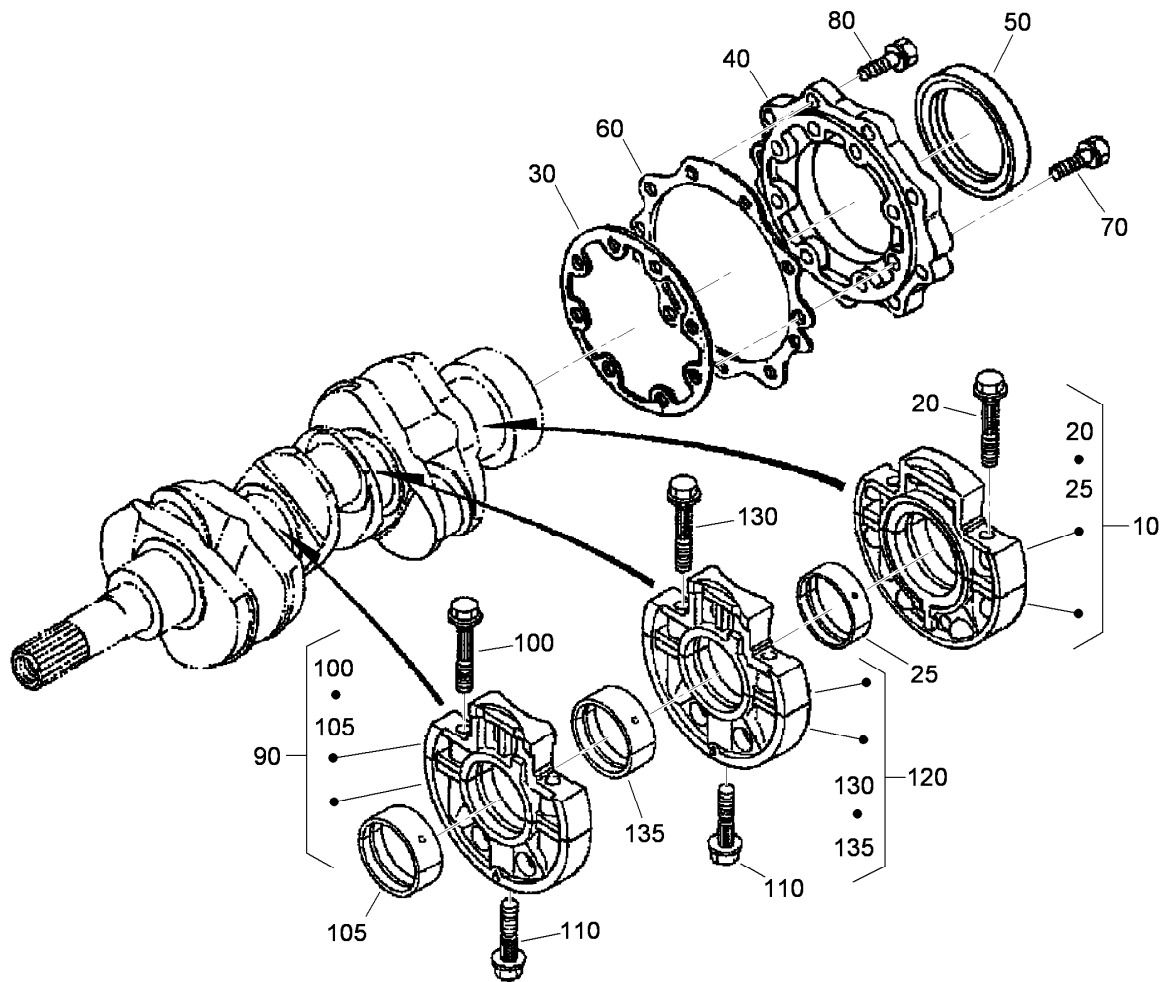
Cylinder Head Cover Assembly

<i>Ref.</i>	<i>Part Number</i>	<i>Qty.</i>	<i>Description</i>
10	115-3446	1	Cylinder Head Cover ASM
30	98-9615	1	Gasket-Cover, Head
40	110-3715	1	Valve-Breather
50	110-3714	1	Cover-Breather
60	98-9364	4	Screw (With Washer)
70	98-7766	1	Pipe-Return, Water
80	98-9455	3	Nut-Cap
90	98-9454	3	Gasket
100	108-2858	1	Tube-Breather
110	108-2859	1	Clamp-Hose
120	108-2860	1	Clamp-Hose
130	107-9075	1	Plug-Filler, Oil
140	99-3446	1	O-Ring



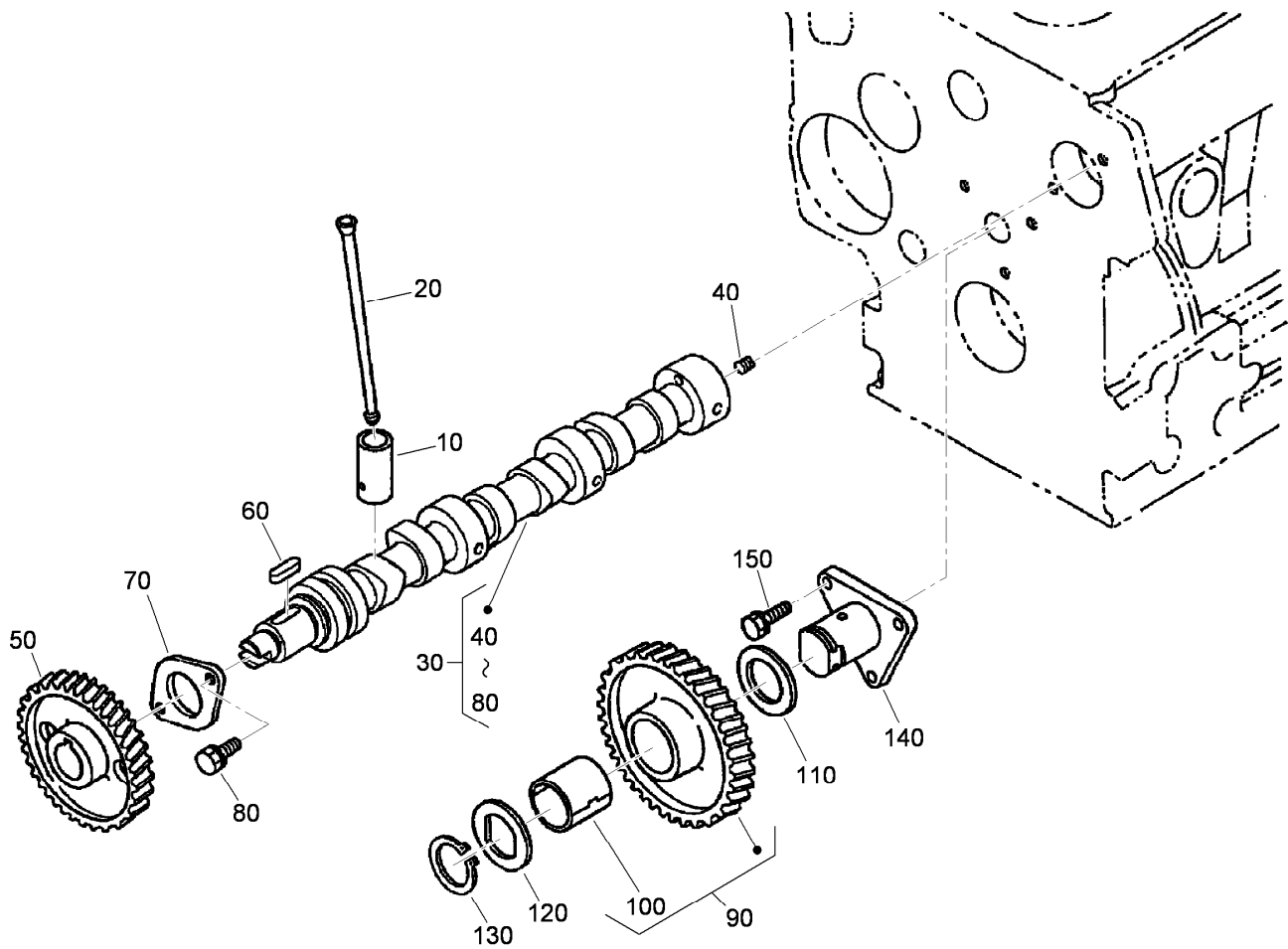
Gear Case and Oil Filter Cartridge Assembly

<i>Ref.</i>	<i>Part Number</i>	<i>Qty.</i>	<i>Description</i>
10	115-4105	1	Gear Case ASM
20	98-9598	2	Plug
25	98-7487	1	Plug
30	98-7562	1	Washer-Plain
40	98-9388	1	Joint-Pipe
50	98-9544	1	Spring
60	98-9543	1	Seat-Valve
70	98-9380	1	Ball
80	98-9540	1	Oil Pump Rotor ASM
85	107-9069	1	Cover-Pump, Oil
90	107-9072	2	Pin-Straight
100	107-9071	5	Screw
110	98-9633	1	Gasket-Case, Gear
120	98-7496	3	Bolt
130	105-3797	4	Bolt
140	98-9356	4	Bolt
150	107-9074	1	Bolt
160	98-9586	1	Bolt
170	105-3709	1	Stud
180	100-2203	1	Nut-Flange
200	98-9482	1	Seal-Oil
230	105-3710	2	Stud
240	98-9641	1	Cover-Case, Gear
250	108-3841	1	Filter-Oil



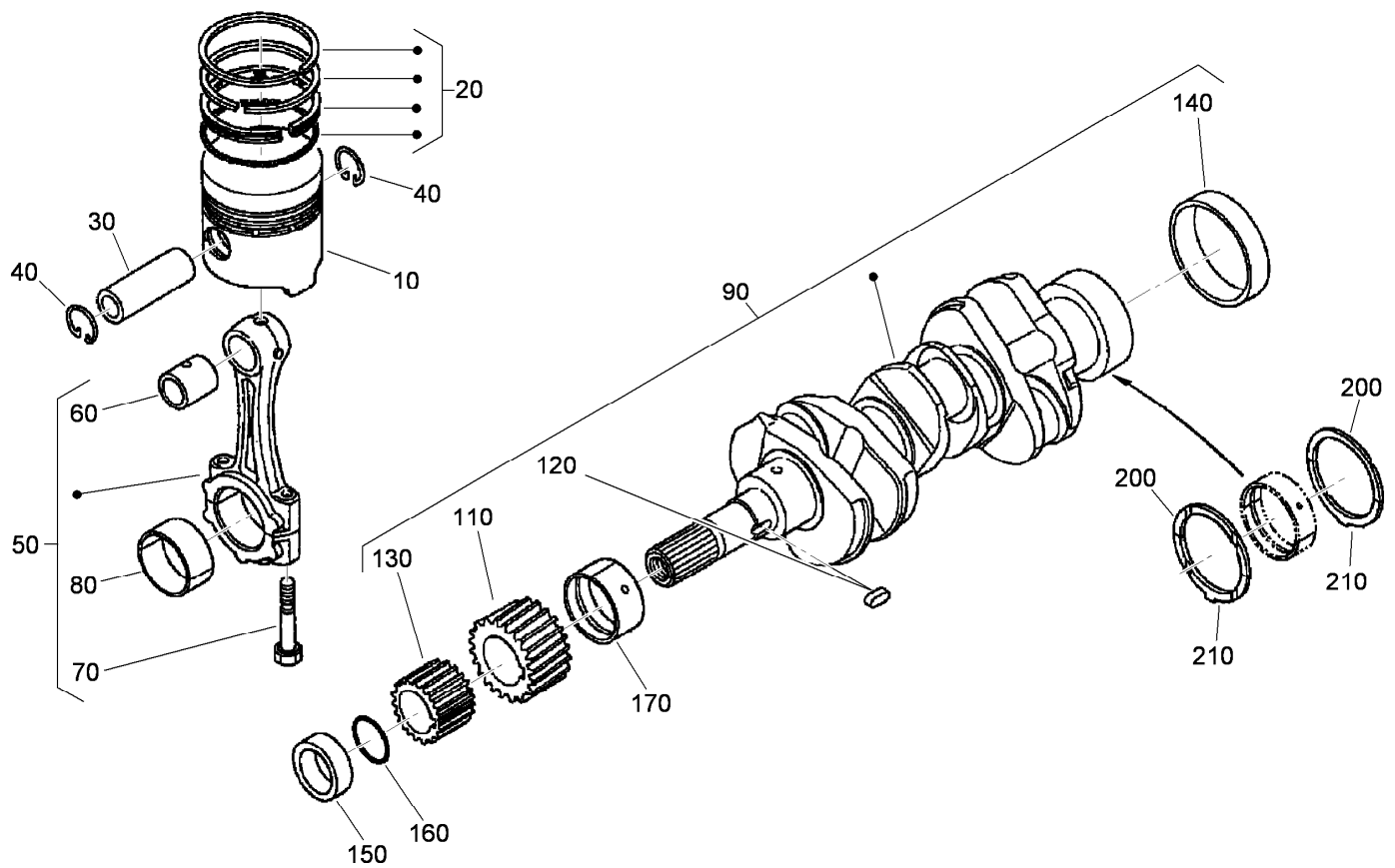
Main Bearing Case Assembly

<i>Ref.</i>	<i>Part Number</i>	<i>Qty.</i>	<i>Description</i>
10	112-7026	1	Wheel Bearing Case ASM
20	98-9484	2	Bolt-Case, Bearing
25	112-7045	1	Metal-Crankshaft
25	112-7039	1	Metal-Crankshaft (0.2Mm)
25	112-7040	1	Metal-Crankshaft (-0.4Mm)
30	98-9634	1	Gasket-Case, Bearing
40	112-7046	1	Cover-Case, Bearing
50	112-0180	1	Seal-Oil
60	112-7037	1	Gasket-Cover, Case
70	98-9352	8	Bolt
80	98-7568	9	Bolt
90	115-4106	1	Main Bearing Case ASM
100	98-9484	2	Bolt-Case, Bearing
105	98-9524	1	Metal-Crankshaft (STD Set)
105	98-9530	1	Bearing-Main (0.2Mm)
105	98-9531	1	Bearing-Main (0.4Mm)
110	98-9485	2	Bolt-Case, Bearing
120	115-4107	1	Main Bearing Case ASM
130	98-9484	2	Bolt-Case, Bearing
135	98-9524	1	Metal-Crankshaft (STD Set)
135	98-9530	1	Bearing-Main (0.2Mm)
135	98-9531	1	Bearing-Main (0.4Mm)



Camshaft and Idle Gear Shaft Assembly

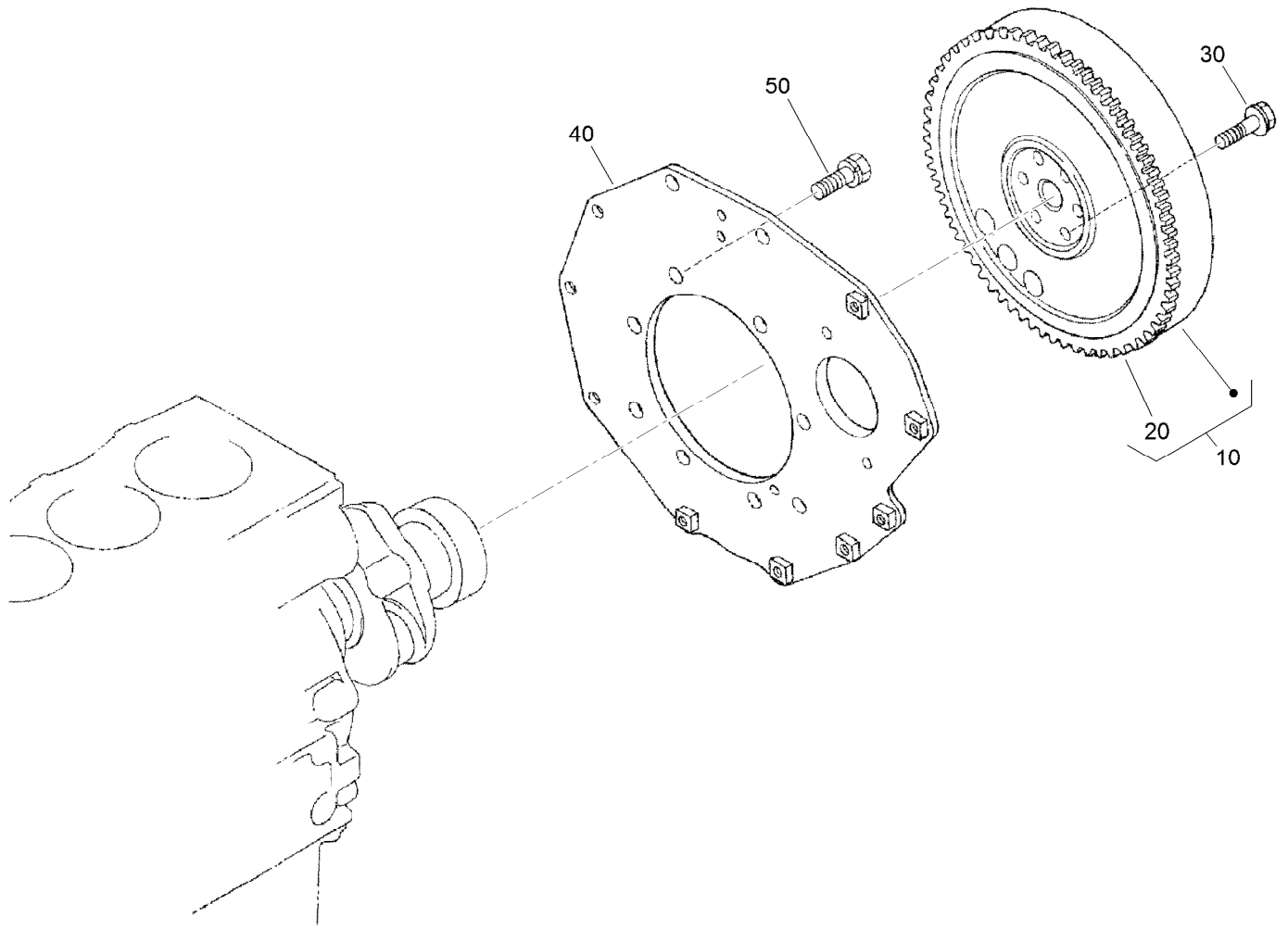
<i>Ref.</i>	<i>Part Number</i>	<i>Qty.</i>	<i>Description</i>
10	112-0185	6	Tappet
20	98-9509	6	Rod-Push
30	108-6576	1	Camshaft ASM
40	98-7449	1	Screw-Set
50	98-9512	1	Gear-Cam
60	98-9378	1	Key-Feather
70	98-9510	1	Stopper-Camshaft
80	98-7692	2	Bolt
90	98-9649	1	Idle Gear ASM
100	98-9650	1	Bushing-Gear, Idle
110	98-9535	1	Collar-Gear, Idle
120	98-9536	1	Collar-Gear, Idle
130	98-9534	1	Circlip-Gear, Idle
140	98-9533	1	Shaft-Gear, Idle
150	98-7692	3	Bolt



Piston and Crankshaft Assembly

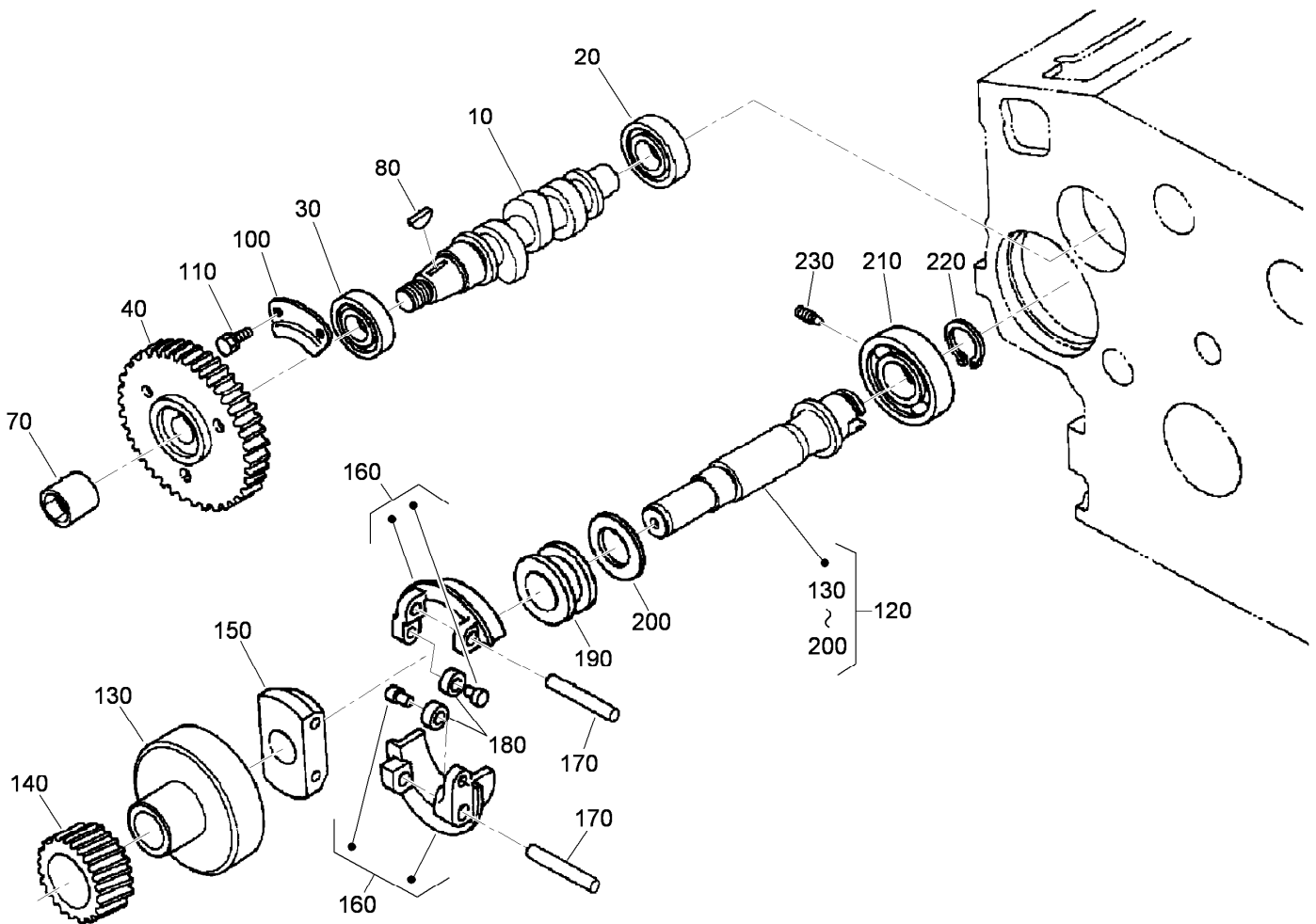
Ref.	Part Number	Qty.	Description
10	112-8404	3	Piston (STD)
10	112-8414	3	Piston (+0.5Mm)
20	98-9551	3	Piston Ring ASM (STD)
20	108-1404	3	Piston Ring ASM (0.5Mm)
30	98-9513	3	Pin-Piston
40	98-9514	6	Circlip-Pin, Piston
50	115-3013	3	Connecting Rod ASM
60	115-3014	3	Bushing-Pin, Piston
70	98-9517	6	Bolt-Rod, Connecting
80	98-9518	3	Metal-Crankpin (STD)
80	98-9519	3	Bearing-Rod (0.2Mm)
80	98-9520	3	Bearing-Rod (0.4Mm)
90	98-9642	1	Crankshaft ASM
110	98-9532	1	Gear-Crankshaft

Ref.	Part Number	Qty.	Description
120	98-9666	1	Key
130	98-9542	1	Gear-Drive, Oil Pump
140	98-9522	1	Sleeve-Crankshaft
150	98-9521	1	Collar-Crankshaft
160	105-3783	1	O-Ring
170	98-9523	1	Metal Crankshaft (STD)
170	98-9528	1	Bearing-Main (0.2Mm)
170	98-9529	1	Bearing-Main (0.4Mm)
200	98-9413	2	Bearing-Thrust (STD)
200	98-9414	2	Bearing-Thrust (0.2Mm)
200	98-9415	2	Bearing-Thrust (0.4Mm)
210	98-9688	2	Bearing-Thrust (STD)
210	98-9689	2	Bearing-Thrust (0.2Mm)
210	98-9690	2	Bearing-Thrust (0.4Mm)



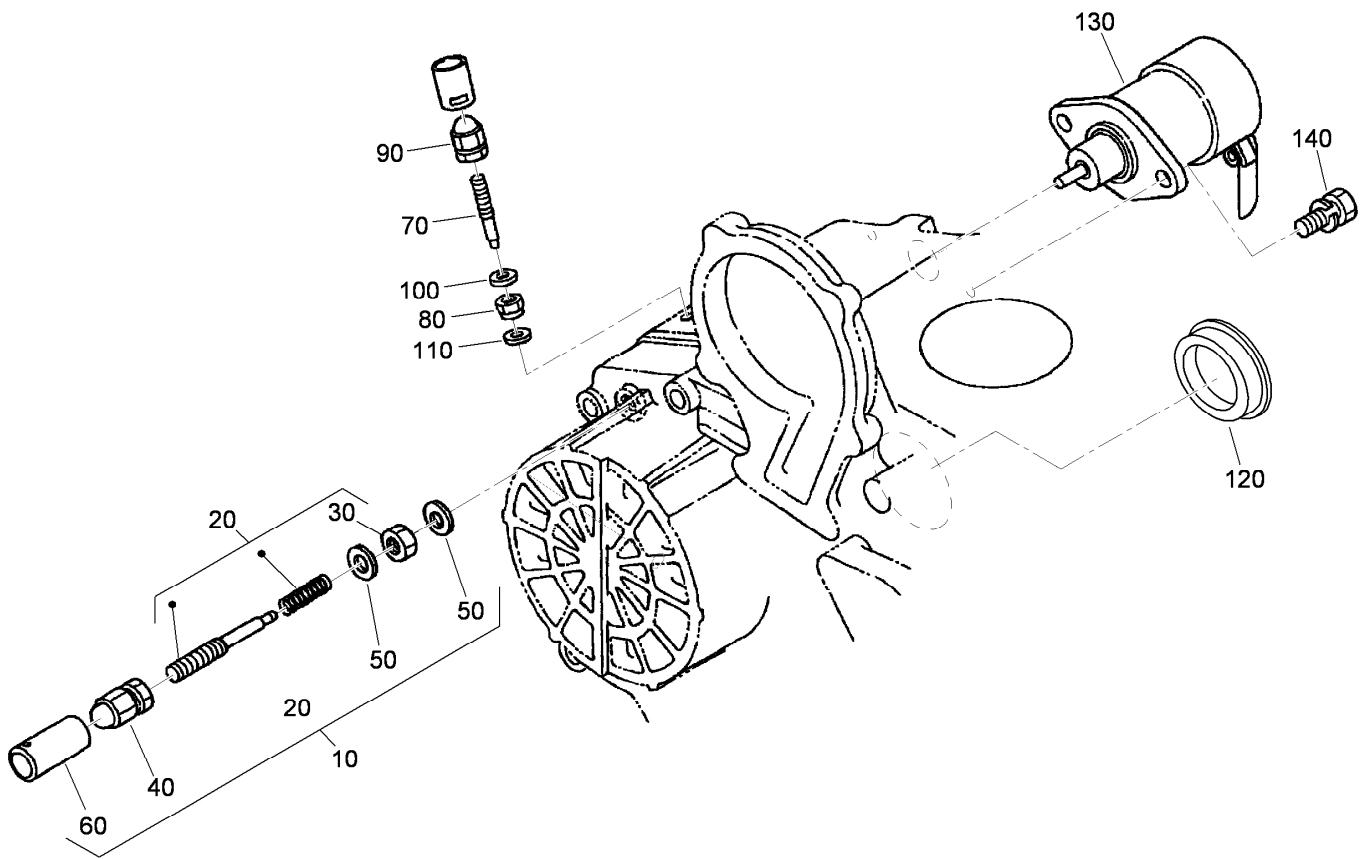
Flywheel Assembly

<i>Ref.</i>	<i>Part Number</i>	<i>Qty.</i>	<i>Description</i>
10	105-3784	1	Flywheel ASM
20	115-3015	1	Gear-Ring
30	98-9537	6	Bolt-Flywheel
40	98-9486	1	Plate-End, Rear
50	98-9392	8	Bolt



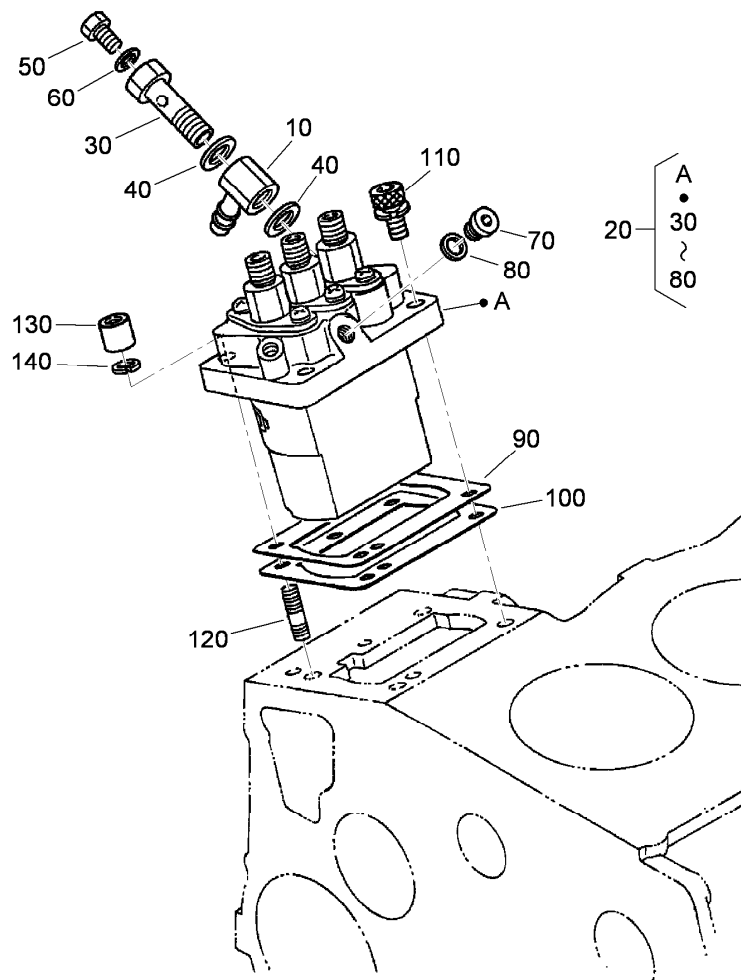
Fuel Camshaft and Governor Shaft Assembly

<i>Ref.</i>	<i>Part Number</i>	<i>Qty.</i>	<i>Description</i>
10	98-9459	1	Camshaft-Fuel
20	107-9077	1	Bearing-Ball
30	107-9078	1	Bearing-Ball
40	98-9669	1	Gear-Pump, Injection
70	98-9590	1	Nut-Cap
80	98-9595	1	Key-Woodruff
100	98-9511	1	Stopper-Fuel, Camshaft
110	98-7692	2	Bolt
120	98-9644	1	Governor Shaft ASM
130	98-9562	1	Holder-Gear, Governor
140	98-9673	1	Gear-Governor
150	98-9561	1	Holder-Weight, Governor
160	98-9559	2	Governor Weight ASM
170	98-9560	2	Shaft-Weight, Governor
180	98-9692	2	Roller
190	98-9563	1	Sleeve-Governor
200	98-9564	1	Washer-Thrust
210	107-9079	1	Bearing-Ball
220	98-9657	1	Circlip-Shaft, Governor
230	98-9565	1	Screw-Set



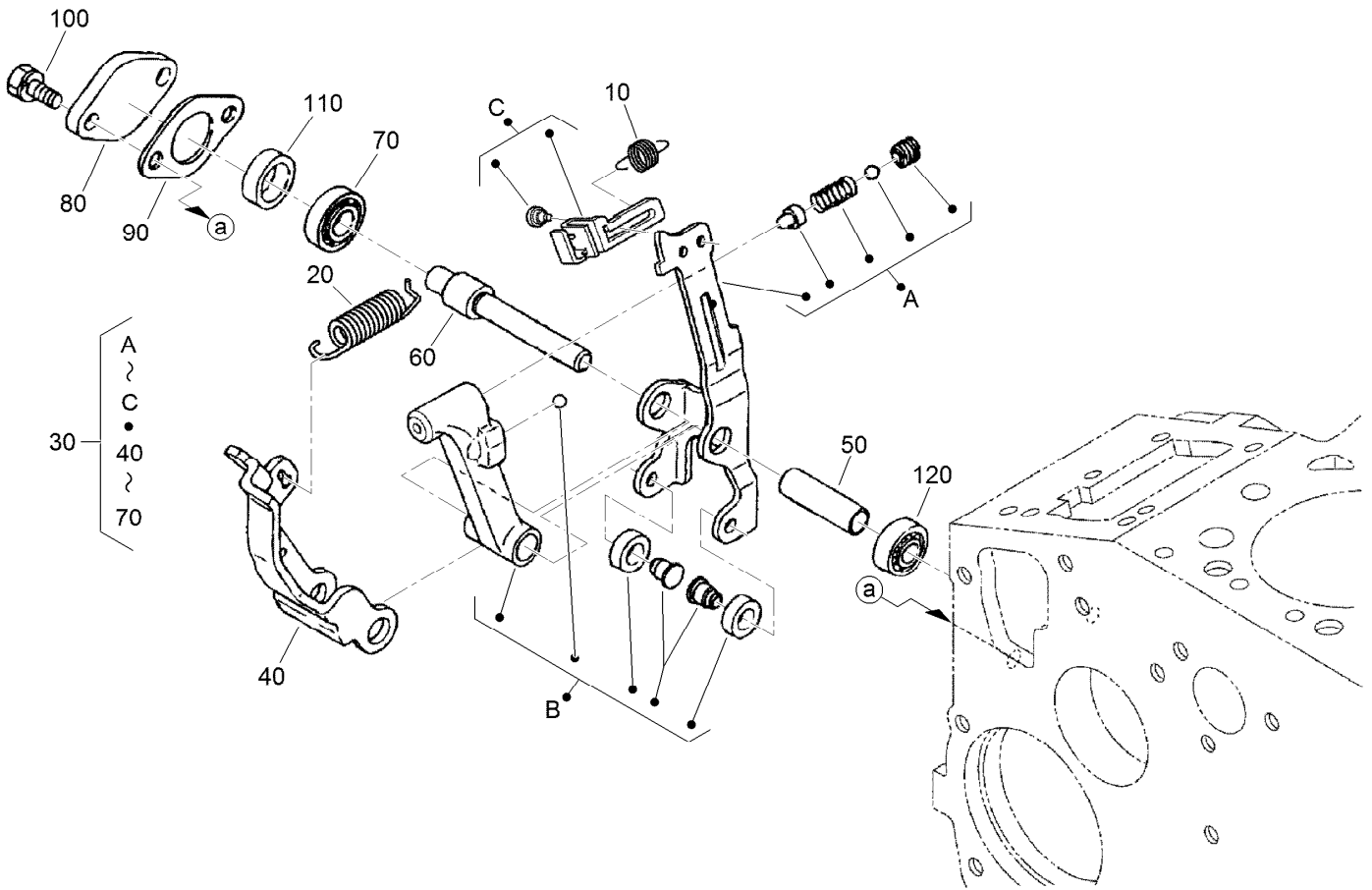
Idle Apparatus and Stop Solenoid Assembly

<i>Ref.</i>	<i>Part Number</i>	<i>Qty.</i>	<i>Description</i>
10	98-9678	1	Idle Apparatus ASM
20	112-7014	1	Adjusting Bolt ASM
30	98-9439	1	Nut
40	112-0181	1	Nut
50	98-7654	2	Gasket
60	98-7656	1	Cap
70	112-7015	1	Bolt-Adjusting
80	100-2175	1	Nut-Lock
90	112-0181	1	Nut
100	98-7654	1	Gasket
110	107-9081	1	Gasket
120	112-7016	1	Cover-Pump
130	104-5155	1	Solenoid-Stop
140	115-3039	2	Bolt-HSH



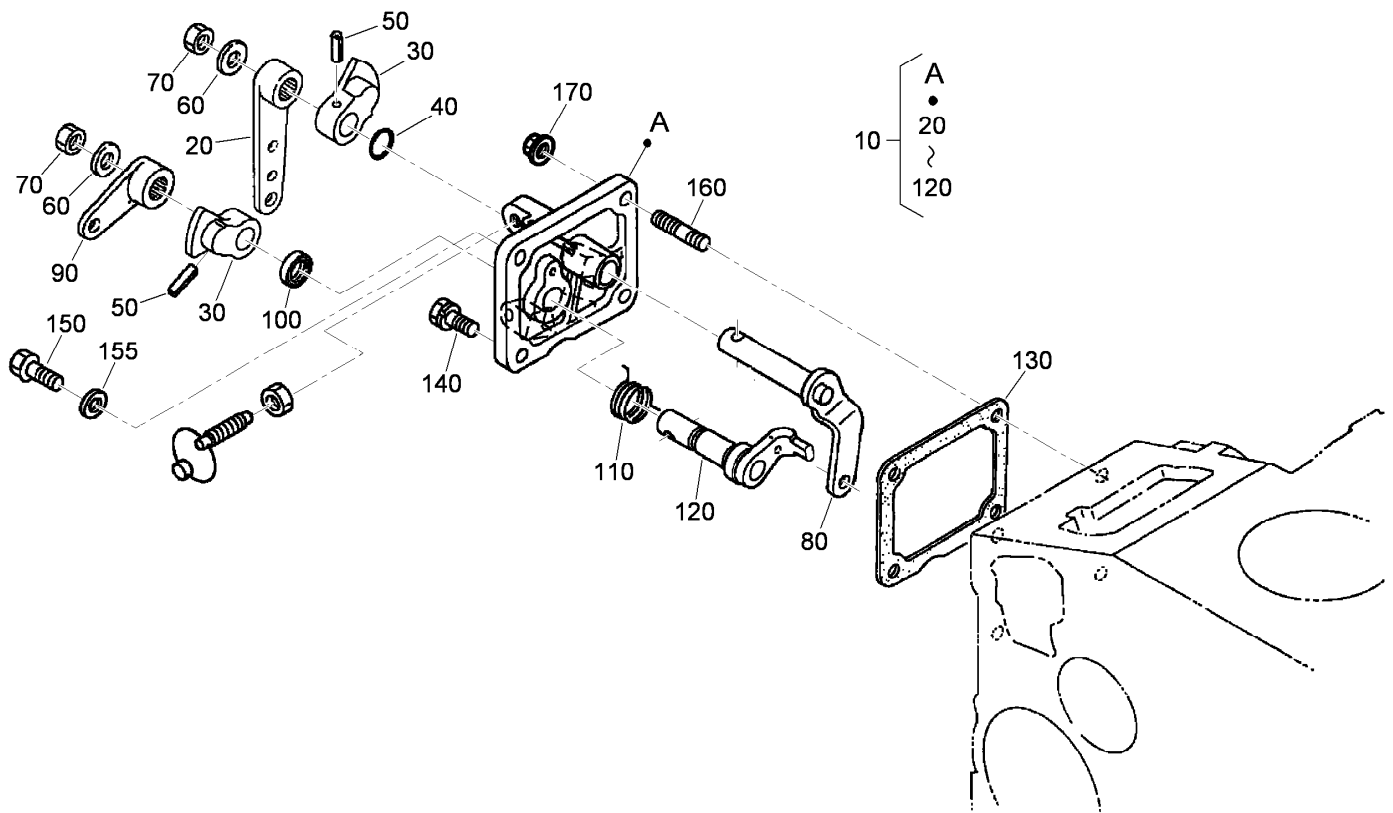
Injection Pump Assembly

<i>Ref.</i>	<i>Part Number</i>	<i>Qty.</i>	<i>Description</i>
10	98-9596	1	Joint-Eye
20	98-9643	1	Injection Pump ASM
30	98-9464	1	Bolt-Joint
40	98-9445	2	Gasket
50	98-9430	1	Screw
60	98-9446	1	Gasket
70	98-9466	1	Plug
80	98-9451	1	Gasket
90	98-9456	1	Shim-Injection (0.20Mm)
90	98-9457	1	Shim-Injection (0.25Mm)
90	115-3045	1	Shim-Injection (0.175Mm)
100	98-9458	1	Shim-Injection (0.30Mm)
100	115-3046	1	Shim-Injection (0.35Mm)
110	117-7564	2	Bolt-Hex Soc HD
120	98-9438	2	Stud
130	98-9440	2	Nut-Cap
140	98-7699	4	Washer-Spring



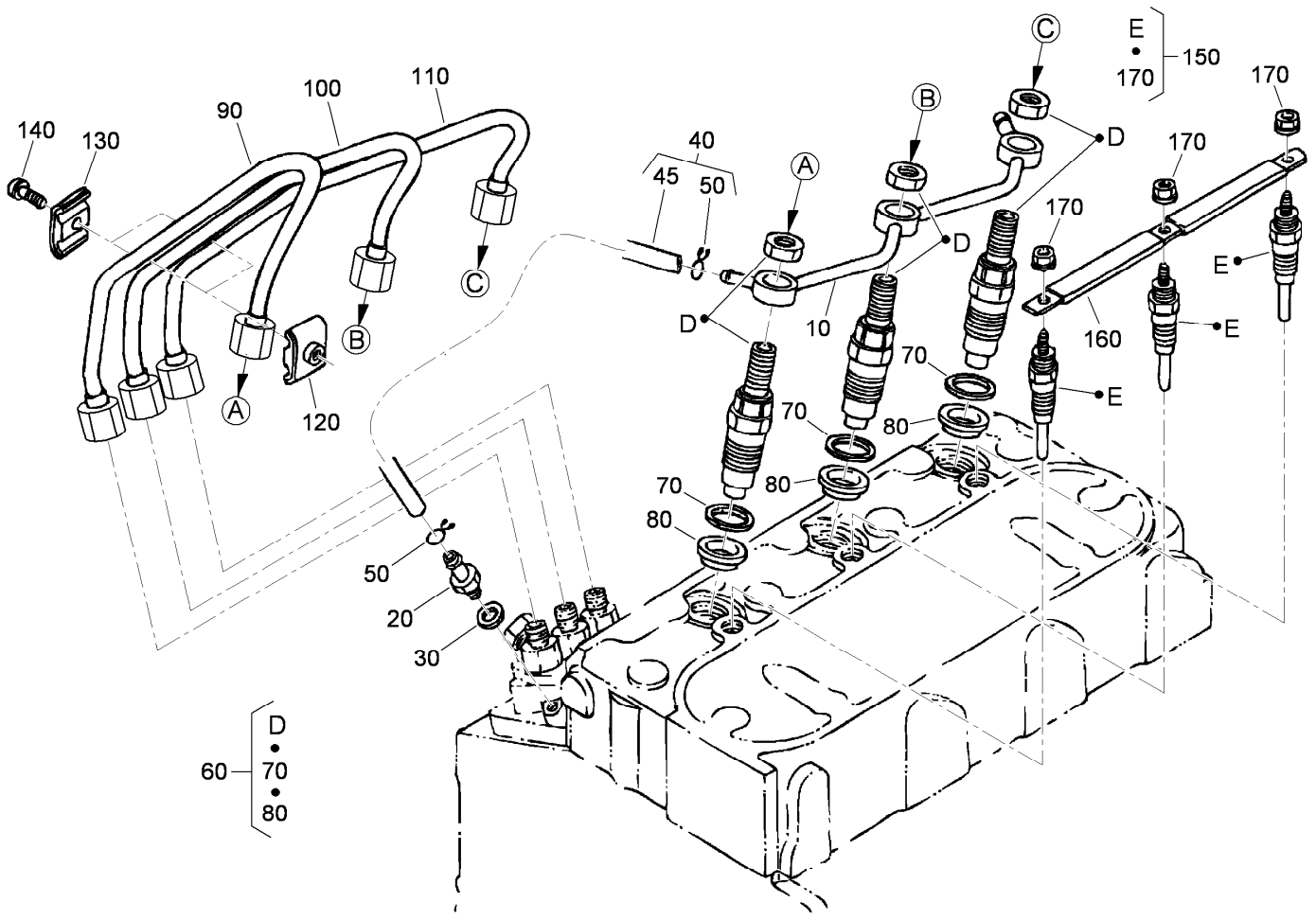
Governor Assembly

Ref.	Part Number	Qty.	Description
10	105-3786	1	Spring-Start
20	98-9681	1	Spring-Governor
30	115-4502	1	Fork Lever ASM
40	107-9084	1	Lever-Fork
50	107-9085	1	Shaft-Lever, Fork
60	107-9086	1	Shaft-Lever, Fork
70	98-9570	1	Bearing-Miniaturize
80	115-4122	1	Cover-Shaft, Fork Lever
90	98-9682	1	Gasket
100	98-9350	2	Bolt
110	98-9567	1	Collar
120	98-9571	1	Bearing-Miniaturize



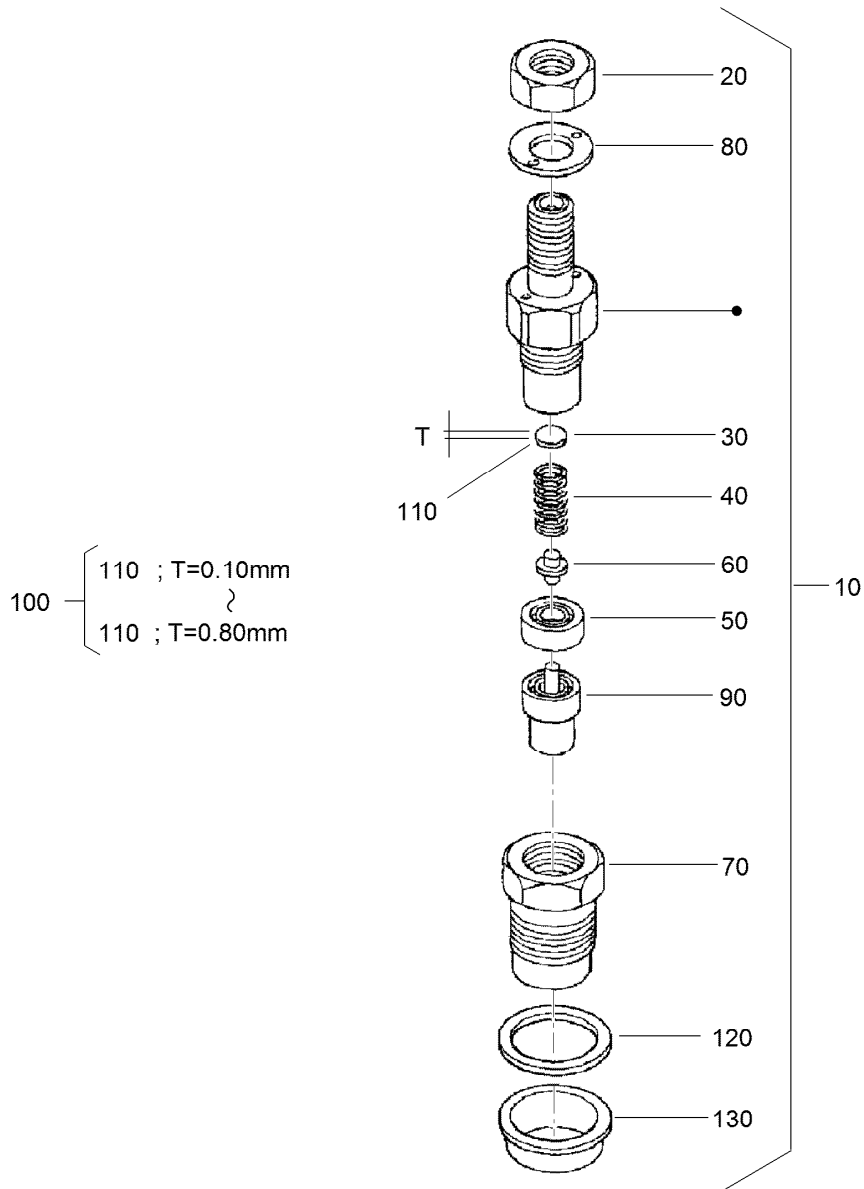
Speed Control Plate Assembly

Ref.	Part Number	Qty.	Description
10	105-3735	1	Control Plate ASM
20	98-9662	1	Lever-Control, Speed
30	98-9572	2	Lever-Control, Speed
40	105-3788	1	O-Ring
50	98-7602	2	Pin-Spring
60	98-9594	2	Washer-Plain
70	98-9589	2	Nut
80	98-9658	1	Governor Lever ASM
90	98-9663	1	Lever-Stop, Engine
100	98-7601	1	Seal-Oil
110	98-9472	1	Spring-Return
120	98-9664	1	Shaft-Lever, Stop
130	98-9637	1	Gasket
140	98-7692	1	Bolt
150	99-8348	1	Bolt
155	98-7654	1	Gasket
160	105-3710	2	Stud
170	100-2203	2	Nut-Flange



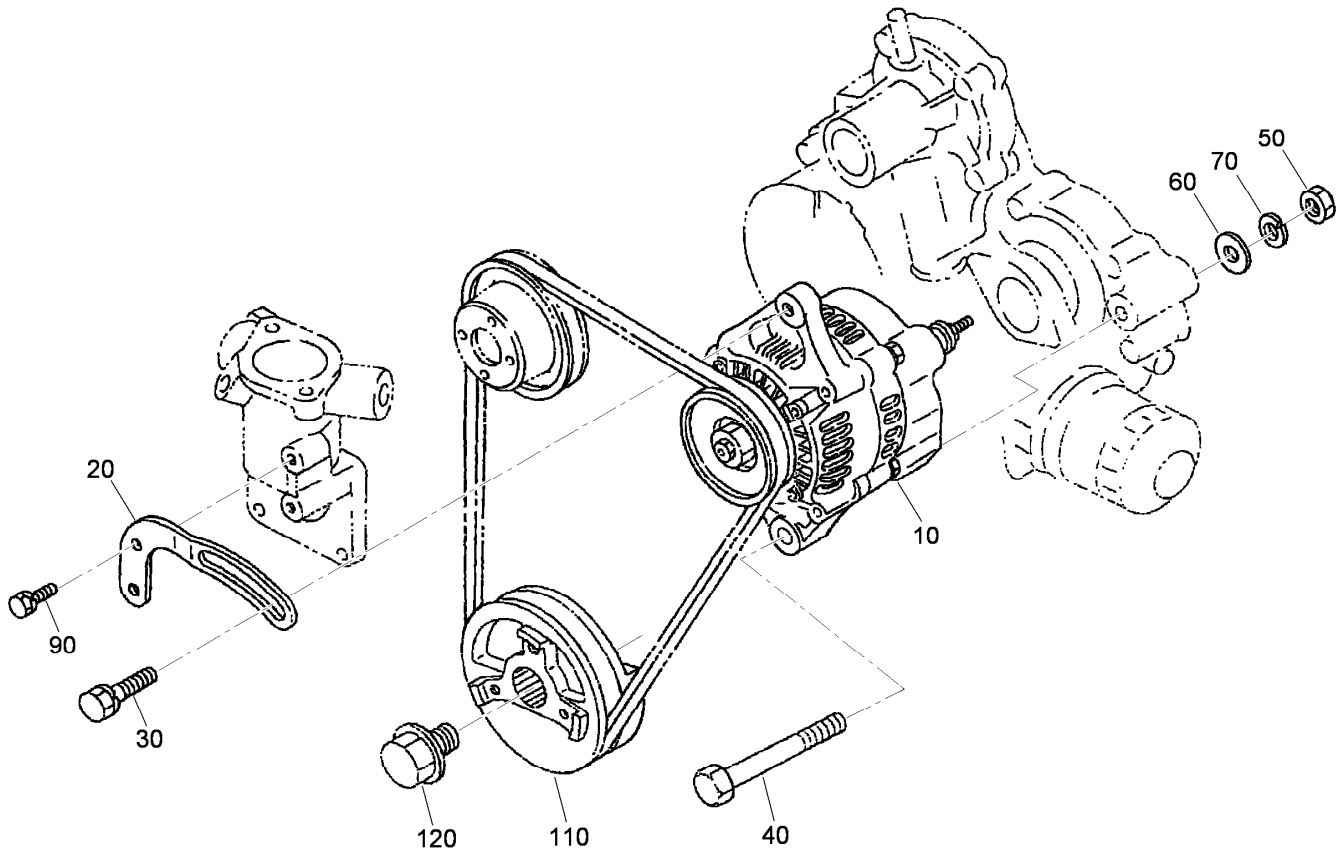
Nozzle Holder and Glow Plug Assembly

Ref.	Part Number	Qty.	Description
10	98-9620	1	Overflow Pipe ASM
20	98-9431	1	Screw-Bleeder, Air
30	98-7654	1	Gasket
40	98-9420	1	Overflow Pipe ASM
45	112-0182	1	Pipe-Overflow
50	98-7671	2	Clip-Pipe
60	108-2866	3	Nozzle Holder Kit
70	98-7676	3	Gasket
80	98-7677	3	Seal-Heat
90	98-9653	1	Pipe-Injection
100	98-9654	1	Pipe-Injection
110	98-9655	1	Pipe-Injection
120	98-7682	2	Clamp-Pipe
130	98-7683	2	Clamp-Pipe
140	98-7684	2	Screw (W/Washer)
150	115-3019	3	Plug-Glow
160	98-9631	1	Cord-Plug, Glow
170	99-8377	3	Nut-Flange



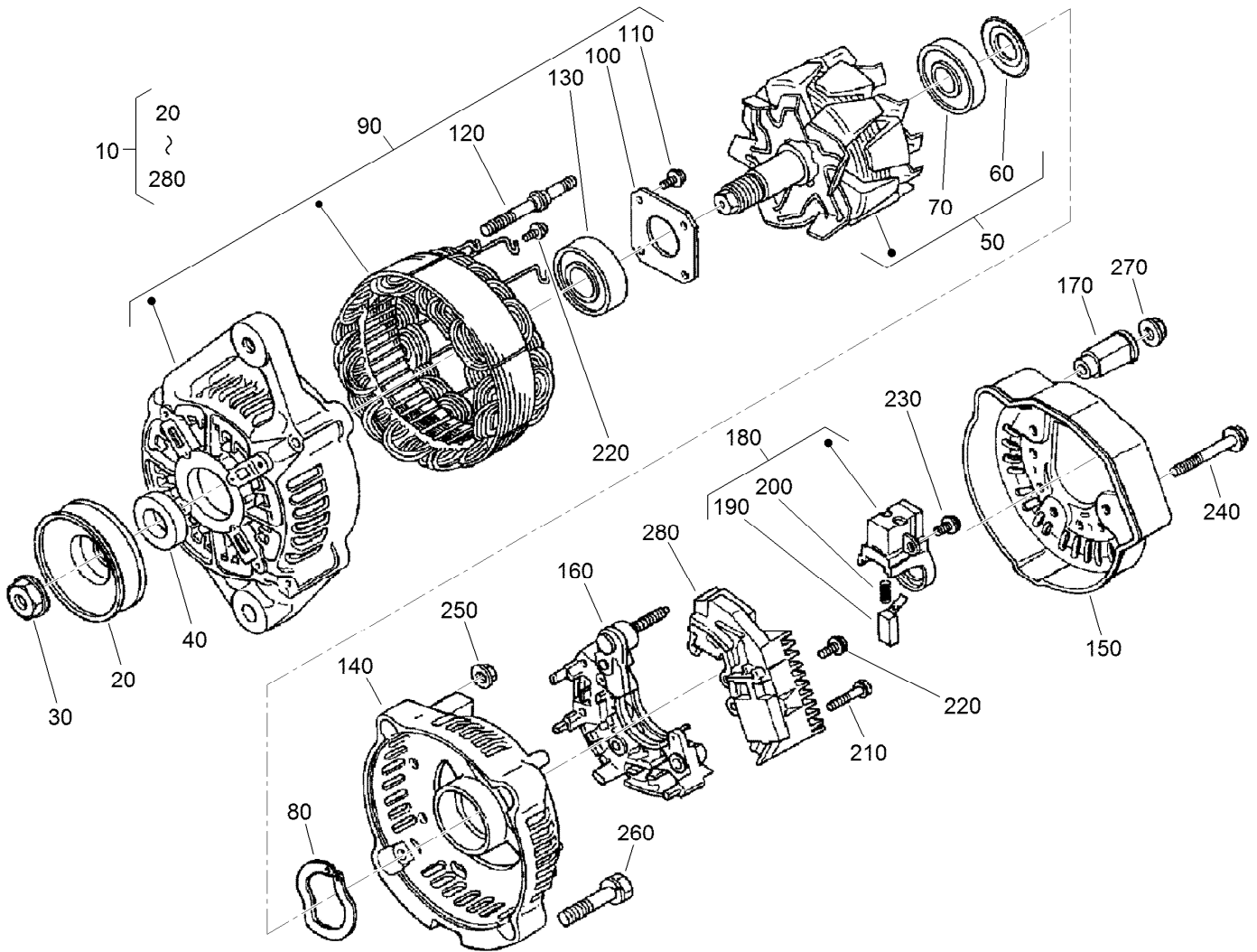
Nozzle Holder Assembly

Ref.	Part Number	Qty.	Description	Ref.	Part Number	Qty.	Description
10	108-2866	3	Nozzle Holder Kit	110	99-8311	3	Washer-Adjust (0.20Mm)
20	99-8301	3	Nut	110	99-8312	3	Washer-Adjust (0.30Mm)
30	99-8302	3	Washer-Adjusting	110	99-8313	3	Washer-Adjust (0.40Mm)
40	99-8303	3	Spring-Nozzle	110	99-8314	3	Washer-Adjust (0.50Mm)
50	99-8304	3	Spacer-Distance	110	99-8315	3	Washer-Adjust (0.52Mm)
60	99-8305	3	Rod-Push	110	99-8316	3	Washer-Adjust (0.54Mm)
70	99-8306	3	Nut-Nozzle	110	99-8317	3	Washer-Adjust (0.56Mm)
80	99-8307	3	Washer-Plain	110	99-8318	3	Washer-Adjust (0.58Mm)
90	107-7826	3	Piece-Nozzle	110	99-8319	3	Washer-Adjust (0.80Mm)
100	99-8309	3	Adjusting Washer ASM	120	98-7676	3	Gasket
110	99-8310	3	Washer-Adjust (0.10Mm)	130	98-7677	3	Seal-Heat



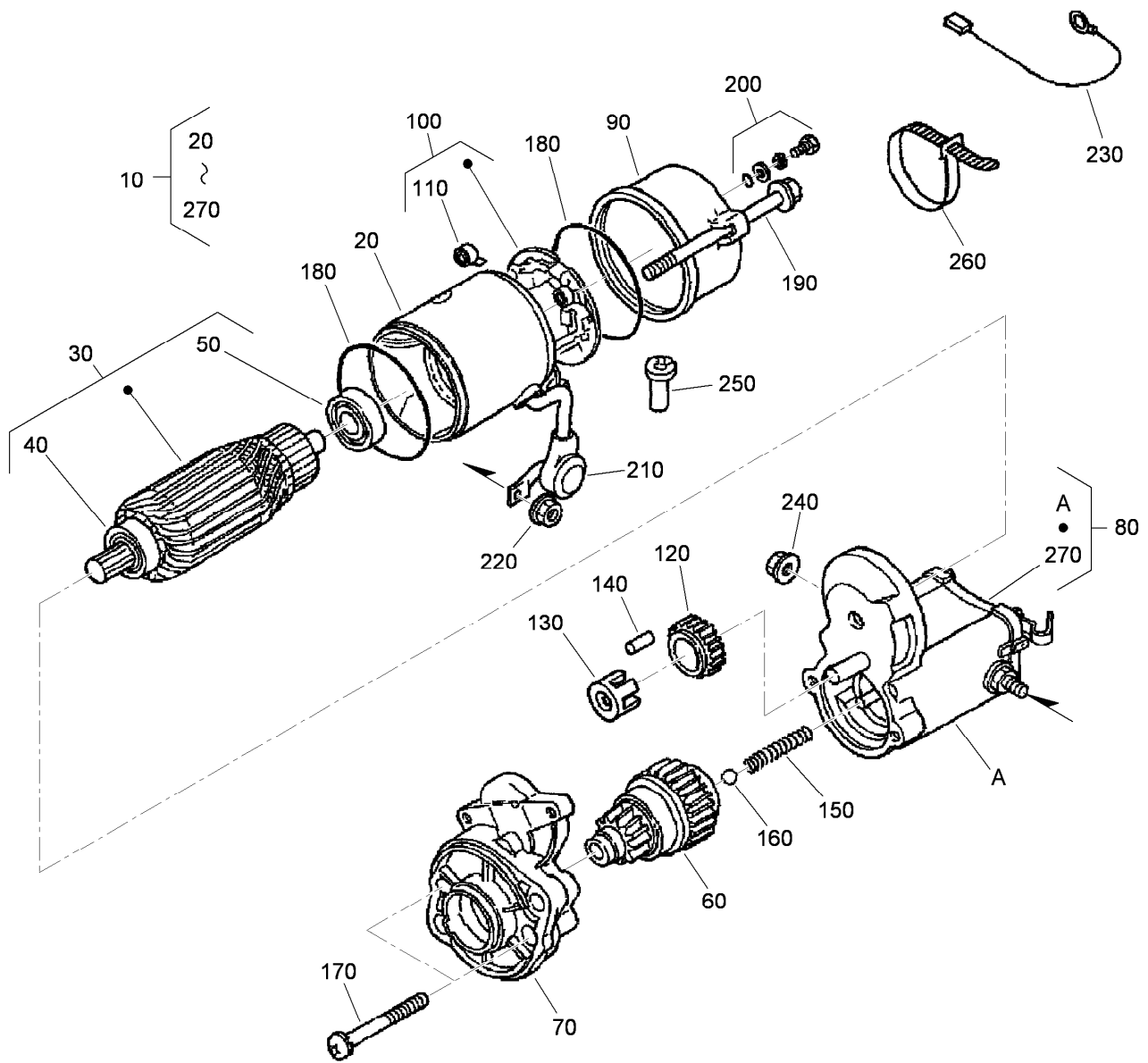
Alternator and Pulley Assembly

<i>Ref.</i>	<i>Part Number</i>	<i>Qty.</i>	<i>Description</i>
10	98-9474	1	Alternator ASM
20	112-7047	1	Stay-Dynamo
30	108-7088	1	Bolt
40	98-9360	1	Bolt
50	98-7737	1	Nut
60	98-9366	1	Washer-Plain
70	98-7738	1	Washer-Spring
90	98-7692	1	Bolt
110	98-9473	1	Pulley-Drive, Fan
120	98-9585	1	Bolt



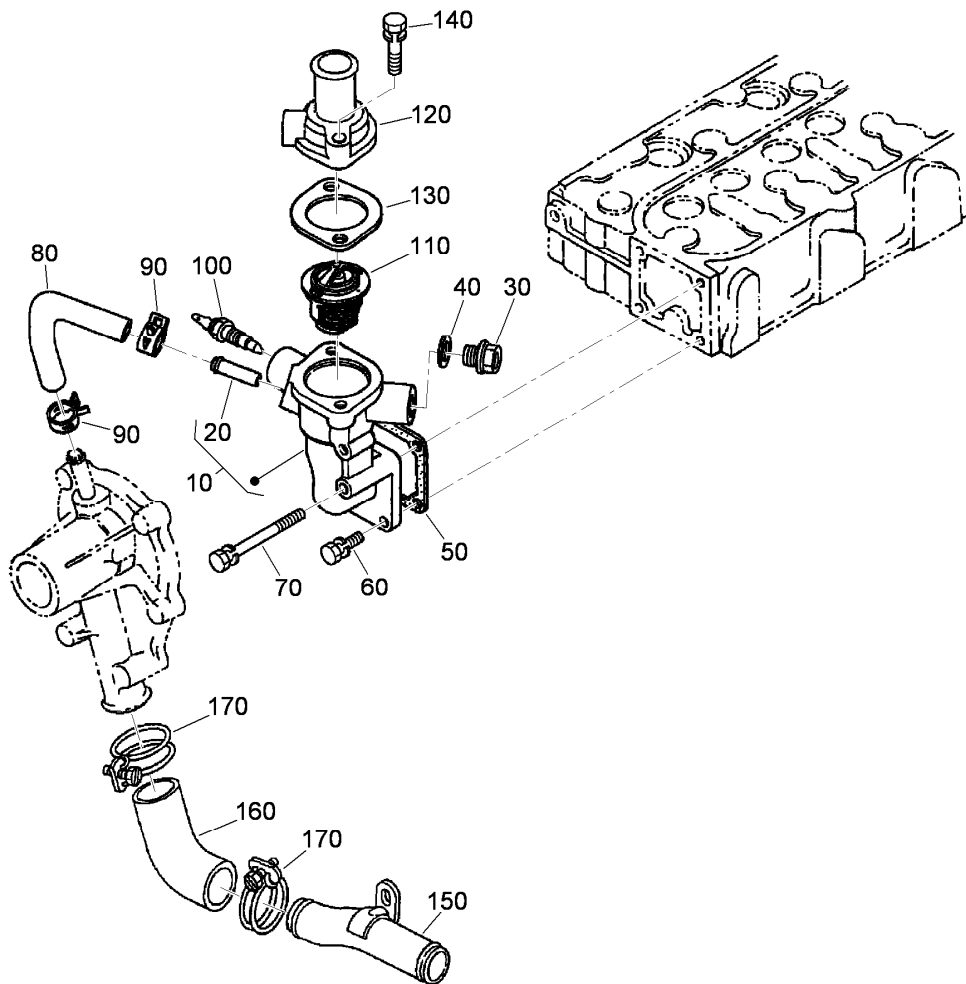
Alternator Components Assembly

<i>Ref.</i>	<i>Part Number</i>	<i>Qty.</i>	<i>Description</i>	<i>Ref.</i>	<i>Part Number</i>	<i>Qty.</i>	<i>Description</i>
10	98-9474	1	Alternator ASM	150	107-0140	1	Cover-End
20	98-9453	1	Pulley-Dynamo	160	98-7721	1	Rectifier ASM
30	98-7708	1	Nut	170	98-7722	1	Bushing-Insulation
40	98-7709	1	Collar	180	107-0141	1	Brush Holder ASM
50	107-0136	1	Rotor ASM	190	98-7724	2	Brush
60	98-7711	1	Cover-Bearing	200	98-7725	2	Spring-Brush
70	107-0138	1	Bearing-Ball	210	98-7726	2	Screw-Head, Round
80	98-7713	1	Washer-Thrust	220	98-7727	6	Screw-Head, Round
90	107-0139	1	Drive End Frame ASM	230	98-7728	1	Screw-Head, Round
100	98-7715	1	Plate-Retainer	240	98-7729	3	Bolt
110	98-7716	4	Screw-Head, Round	250	98-7730	2	Nut
120	98-7717	2	Bolt-Through	260	98-7731	2	Bolt
130	107-0137	1	Bearing-Ball	270	98-7732	1	Nut
140	107-9087	1	Frame-End	280	110-3799	1	Regulator ASM



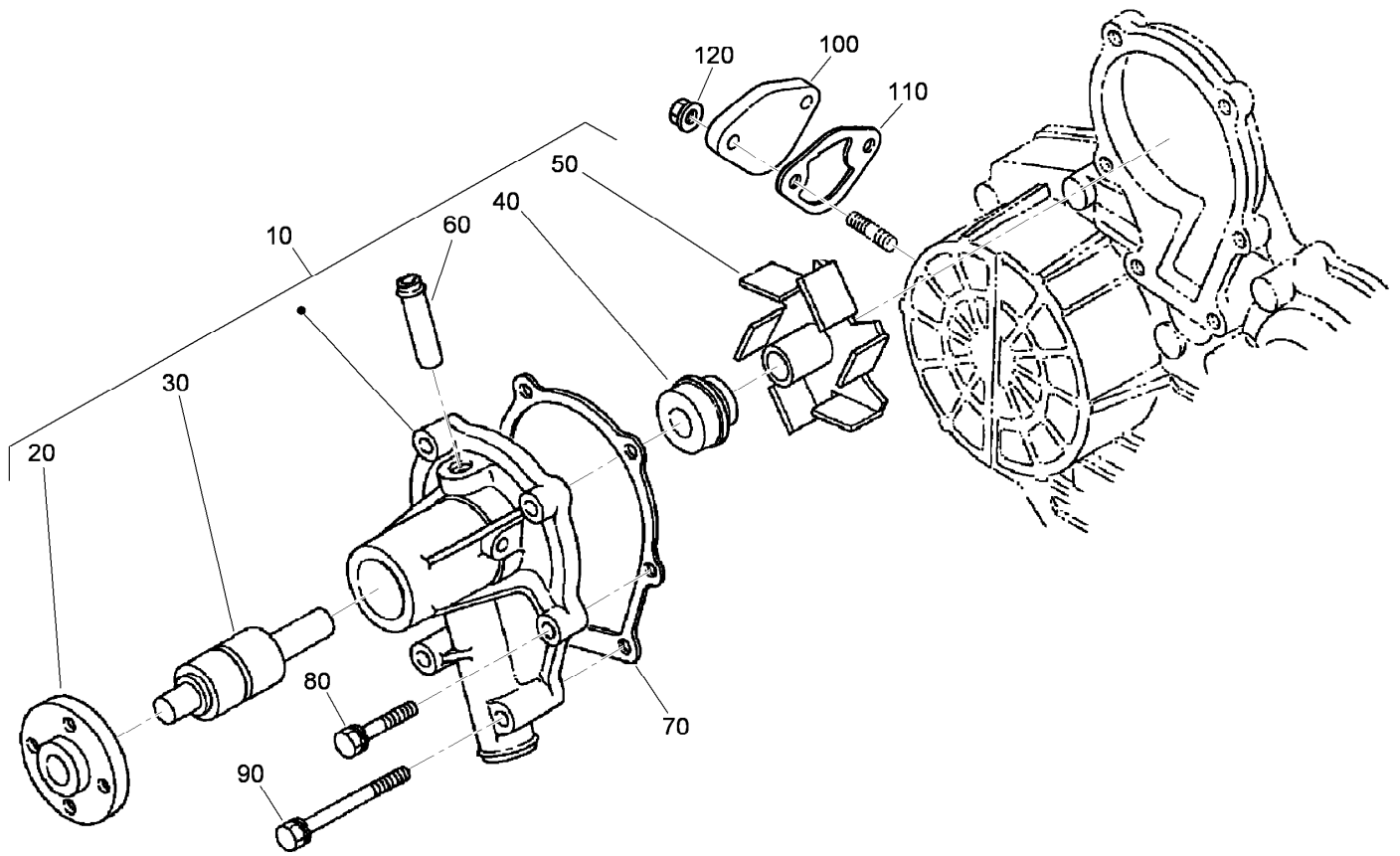
Starter (Component Part) Assembly

Ref.	Part Number	Qty.	Description	Ref.	Part Number	Qty.	Description
10	98-9705	1	Starter ASM	150	98-7754	1	Spring
20	104-8608	1	Yoke ASM	160	98-7755	1	Ball
30	98-7742	1	Armature ASM	170	98-7756	2	Bolt
40	98-7744	1	Bearing	180	98-7757	2	O-Ring
50	98-7743	1	Bearing	190	100-9240	2	Bolt
60	99-8373	1	Clutch-Running, Over	200	98-7758	2	Bolt ASM
70	99-8374	1	Frame-End, Drive	210	99-8375	1	Cover
80	105-3746	1	Magnetic Switch ASM	220	99-8371	1	Nut-Hex
90	98-7748	1	Frame-End	230	98-9711	1	Cord-Solenoid, Stop
100	98-7749	1	Brush Holder ASM	240	99-8376	1	Nut-Hex
110	98-7750	4	Spring-Brush	250	98-7759	1	Pipe-Drain
120	98-7751	1	Gear	260	98-9712	1	Band-Cover
130	98-7752	1	Retainer	270	105-2886	1	Cover ASM
140	98-7753	5	Roller				



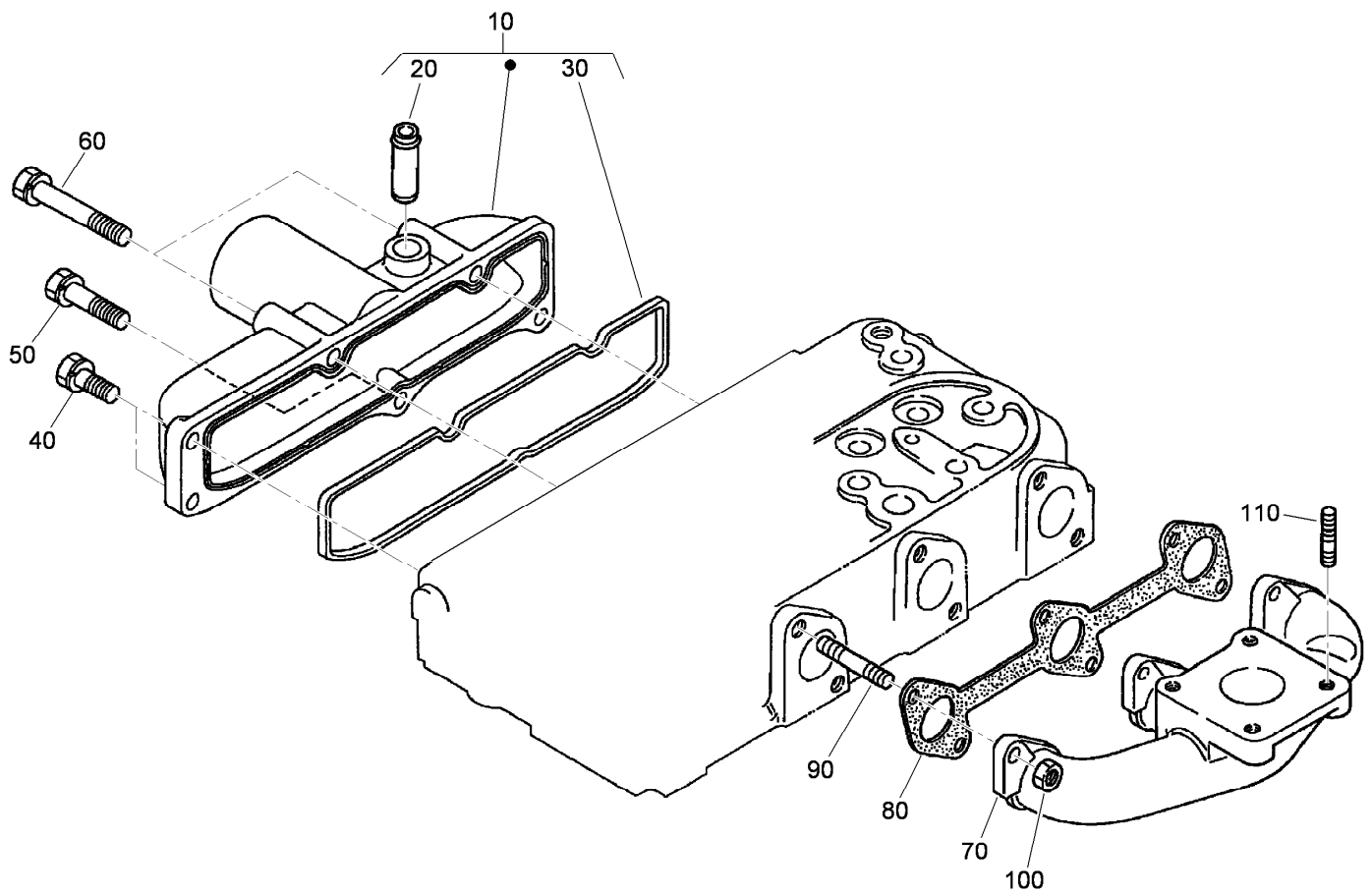
Water Flange and Thermostat Assembly

<i>Ref.</i>	<i>Part Number</i>	<i>Qty.</i>	<i>Description</i>
10	98-9713	1	Water Flange ASM
20	98-9580	1	Pipe-Return, Water
30	105-3747	1	Plug
40	99-3583	1	Gasket
50	98-9638	1	Gasket-Flange, Water
60	98-7692	3	Bolt
70	98-9356	1	Bolt
80	98-9578	1	Pipe-Return, Water
90	98-9579	2	Band-Pipe
100	112-0183	1	Switch-Thermometer
110	98-7778	1	Thermostat ASM
120	98-9471	1	Cover-Thermostat
130	105-3748	1	Gasket-Thermostat
140	98-7777	2	Bolt
150	98-9716	1	Pipe-Water
160	107-9091	1	Pipe-Water
170	98-9717	2	Clamp



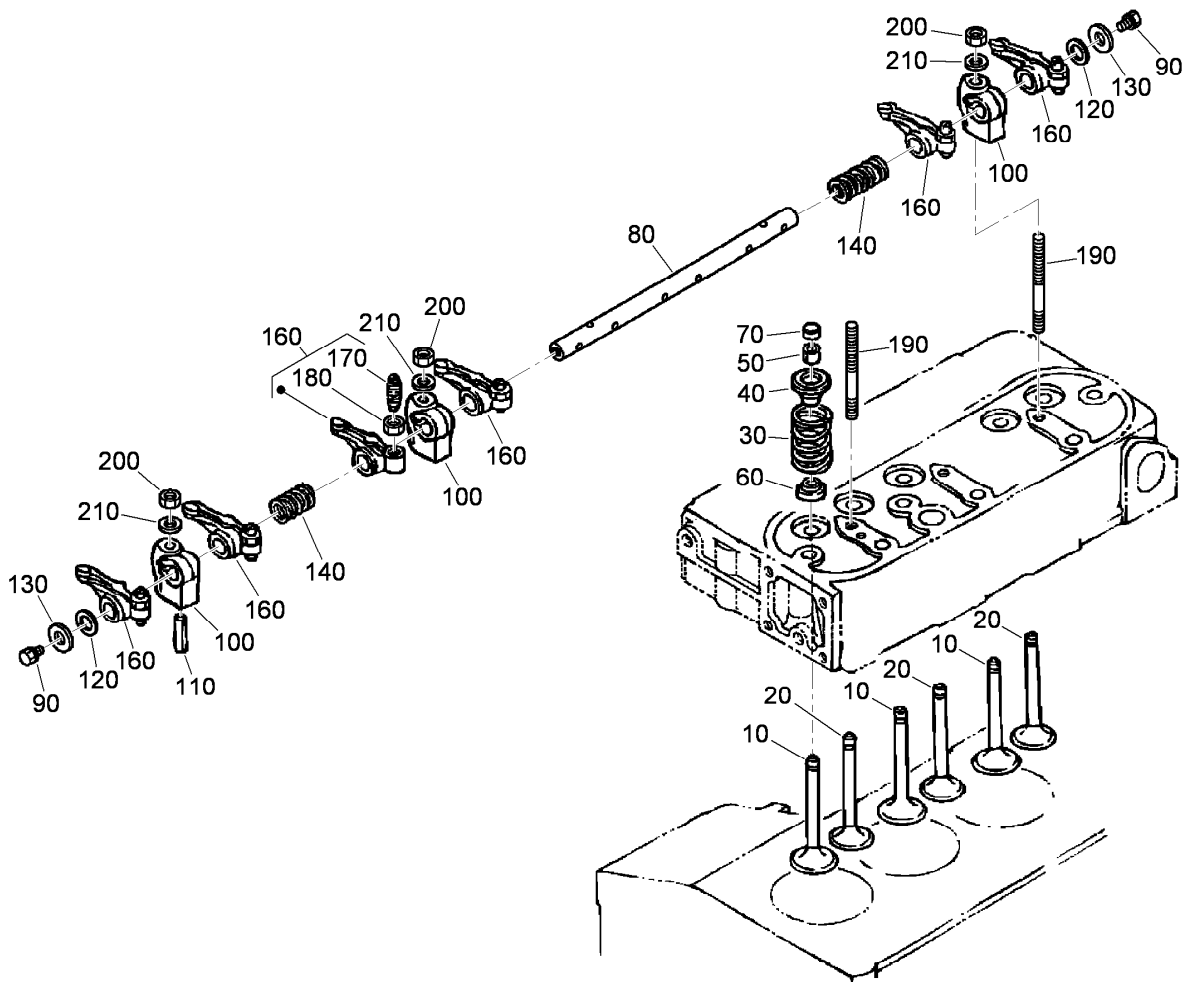
Water Pump and Fuel Pump Cover Assembly

<i>Ref.</i>	<i>Part Number</i>	<i>Qty.</i>	<i>Description</i>
10	107-9089	1	Water Pump ASM
20	99-3516	1	Flange-Pump, Water
30	99-3517	1	Bearing-Pump, Water
40	105-3750	1	Mechanical Seal ASM
50	112-7017	1	Impeller-Pump, Water
60	100-1932	1	Pipe-Return, Water
70	99-3454	1	Gasket-Pump, Water
80	98-9353	4	Bolt
90	107-9090	2	Bolt
100	99-3514	1	Cover
110	98-9636	1	Gasket-Pump, Fuel
120	100-2203	2	Nut-Flange



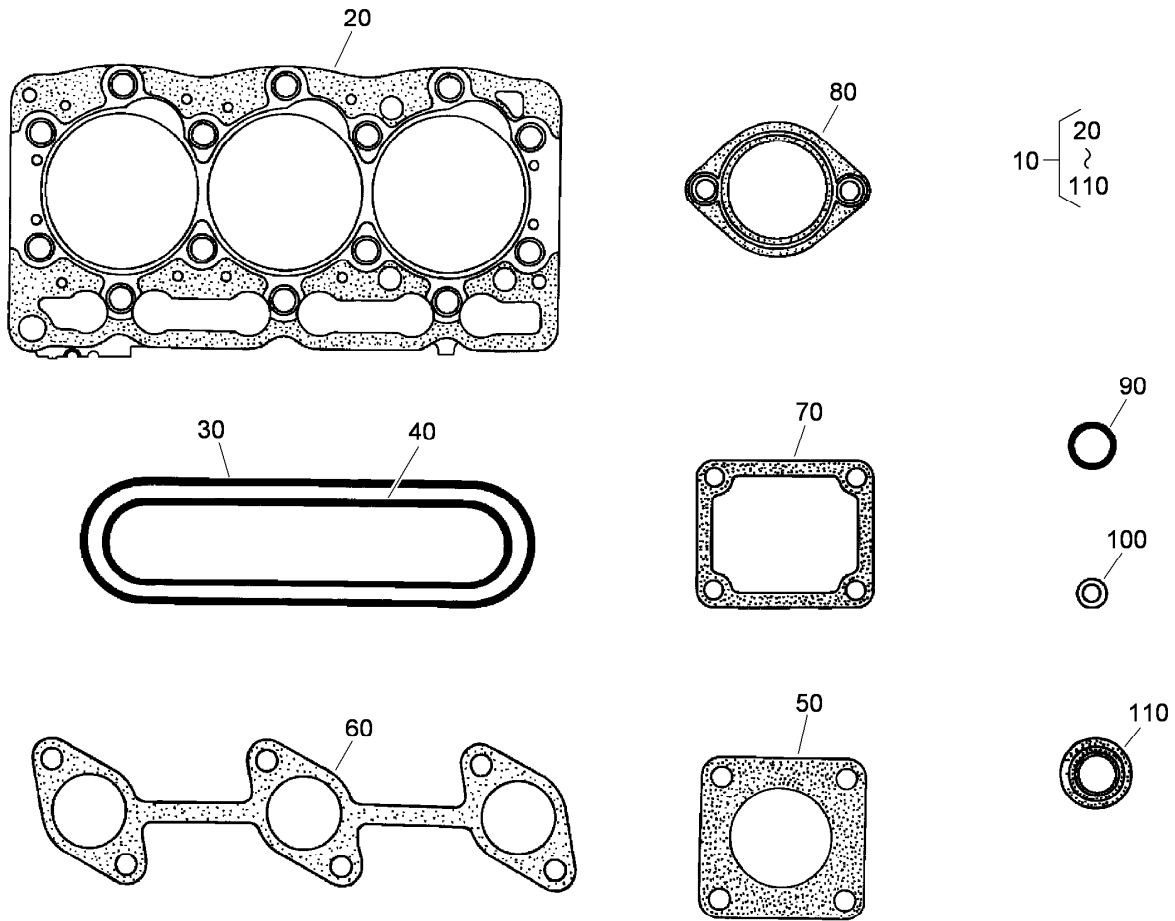
Inlet and Exhaust Manifold Assembly

<i>Ref.</i>	<i>Part Number</i>	<i>Qty.</i>	<i>Description</i>
10	108-6577	1	Inlet Manifold ASM
20	98-9492	1	Joint-Pipe, Breather
30	98-9609	1	Gasket-Manifold, Inlet
40	98-7605	3	Bolt
50	98-9353	1	Bolt
60	105-3797	2	Bolt
70	107-9093	1	Manifold-Exhaust
80	99-8327	1	Gasket-Manifold, Exhaust
90	98-9588	6	Stud
100	98-9665	6	Nut
110	98-7769	4	Stud



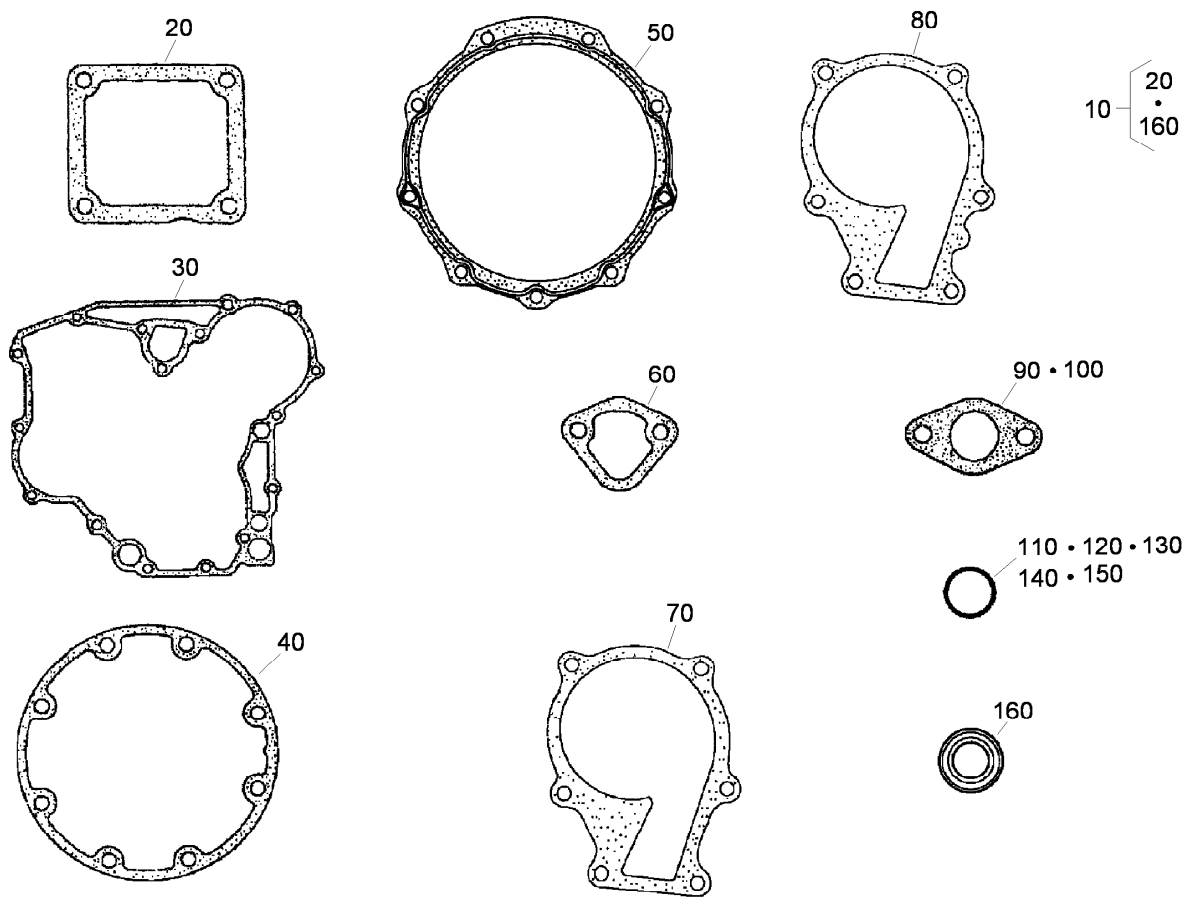
Valve and Rocker Arm Assembly

<i>Ref.</i>	<i>Part Number</i>	<i>Qty.</i>	<i>Description</i>
10	112-7018	3	Valve-Inlet
20	112-7019	3	Valve-Exhaust
30	98-9648	6	Spring-Valve
40	107-9092	6	Retainer-Spring
50	98-9390	6	Collet-Spring, Valve
60	99-8385	6	Seal-Stem, Valve
70	98-9497	6	Cap-Valve
80	105-3790	1	R-Arm Shaft ASM
90	100-9265	2	Bolt
100	98-9505	3	Bracket-Arm, Rocker
110	105-3758	1	Pin-Spring
120	98-9507	2	Washer-Shaft, R-Arm
130	110-3832	2	Washer-Plain
140	98-9504	2	Spring-Arm, Rocker
160	112-7020	6	Rocker Arm ASM
170	98-9502	6	Screw-Adjusting
180	98-9503	6	Nut
190	98-9506	3	Stud
200	98-9393	3	Nut
210	98-9385	3	Washer-Flat



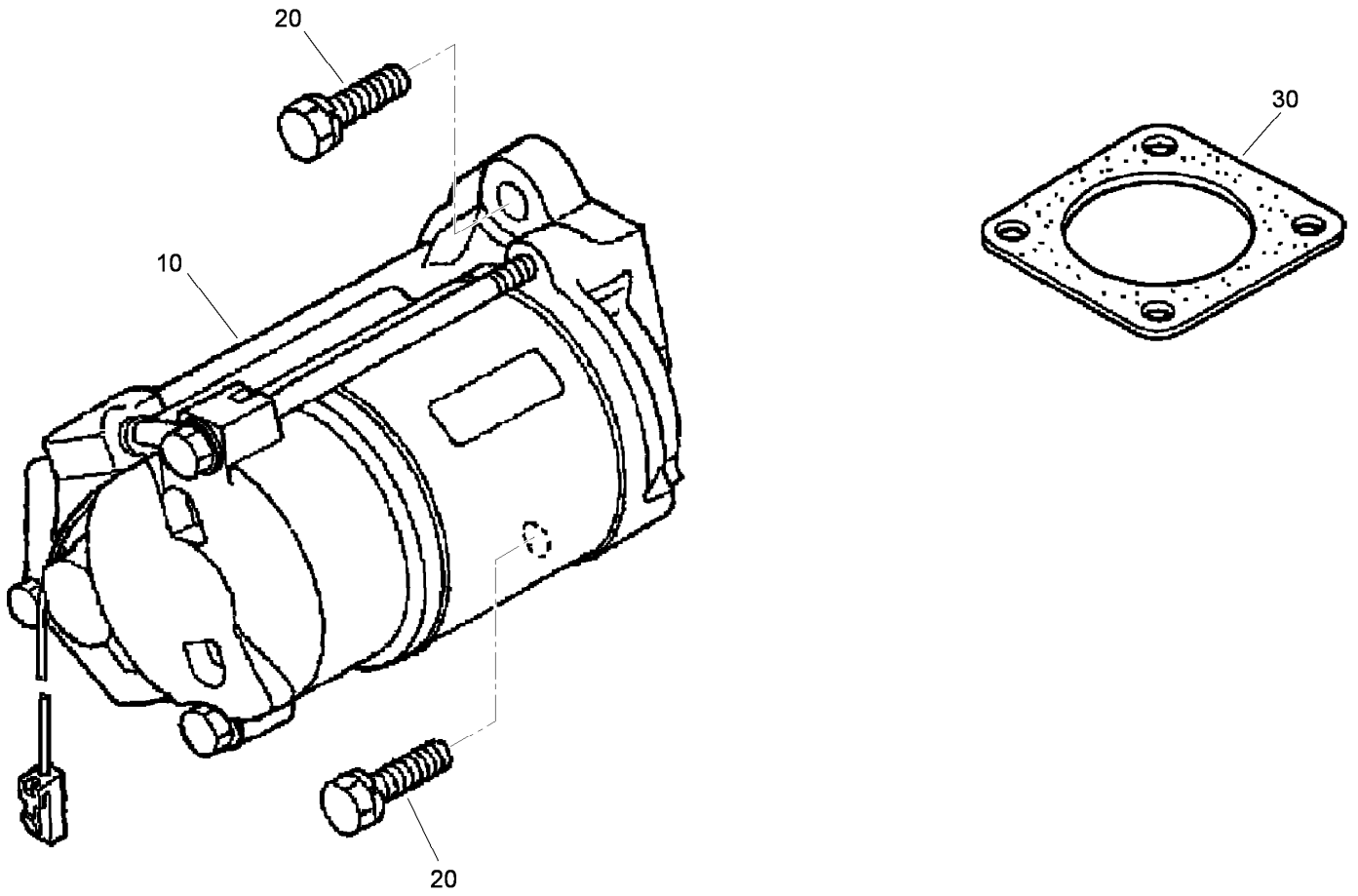
Upper Gasket Kit

<i>Ref.</i>	<i>Part Number</i>	<i>Qty.</i>	<i>Description</i>
10	107-7848	1	Upper Gasket Kit
20	108-6573	1	Gasket-Head, Cylinder
30	98-9615	1	Gasket-Cover, Head
40	98-9609	1	Gasket-Manifold, Inlet
50	99-8343	1	Gasket-Muffler
60	99-8327	1	Gasket-Manifold, Exhaust
70	98-9638	1	Gasket-Flange, Water
80	105-3748	1	Gasket-Thermostat
90	99-3446	2	O-Ring
100	98-9454	3	Gasket
110	99-8385	6	Seal-Stem, Valve



Lower Gasket Kit

<i>Ref.</i>	<i>Part Number</i>	<i>Qty.</i>	<i>Description</i>
10	117-7593	1	Lower Gasket Kit
20	98-9637	1	Gasket
30	98-9633	1	Gasket-Case, Gear
40	98-9634	1	Gasket-Case, Bearing
50	112-7037	1	Gasket-Cover, Case
60	117-7562	1	Gasket-Pump, Fuel
70	98-9632	1	Gasket-Pump, Water
80	99-3454	1	Gasket-Pump, Water
90	98-9682	1	Gasket
100	98-9683	1	Gasket-Cover, Solenoid
110	105-3781	2	O-Ring
120	105-3777	2	O-Ring
130	105-3783	1	O-Ring
140	105-3776	1	O-Ring
150	105-3788	1	O-Ring
160	98-7601	1	Seal-Oil



Miscellaneous Engine Parts

<i>Ref.</i>	<i>Part Number</i>	<i>Qty.</i>	<i>Description</i>
10	98-9705	1	Starter ASM
20	98-7697	2	Bolt
30	99-8343	1	Gasket-Muffler

Attachments and Accessories

For 30360 Groundsmaster 7200 Traction Unit with 72in Side Discharge Mower

Product Name	Model/Part
Tooth Rake	08751
Finish Grader	08754
Drag Mat Carrier System	08756
Steel Drag Mat.....	08757
Coco Drag Mat.....	08758
Tire-Lug (24 X 12 - 12).....	103-6771
Bahagrass Baffle Kit	105-7269
Blade-Belt Kit, 72in Side Discharge Deck	105-7272
Striping Kit	105-7273
Yellow Hydraulic Cap	107-1576
Green Diesel Cap	107-2172
Premium Engine Oil, 15w40 (55 Gallon Drum)	108-1181
Premium Engine Oil, 15w40 (5 Gallon Pail)	108-1182
Premium Transmission/Hydraulic Tractor Fluid (55 Gallon Drum).....	108-1183
Premium Transmission/Hydraulic Tractor Fluid (5 Gallon Pail)	108-1184
Leaf Mulching Kit	108-5273
Wheel and Tire ASM (Semi Pneumatic).....	110-6406
Spark Arrestor Kit	112-1688
Slow Moving Vehicle Kit.....	114-4050
5in Air Cleaner Safety Element.....	114-4057
Weight Mount Bracket Kit	114-4090
42-pound Weight, For Kit 114-4090	114-4096
60-Amp Alternator Kit, Kubota 05 Series-Powered Traction Unit	117-5540
Overflow Tank Kit.....	117-5570
Fender Kit	117-9170
Roll-Over Protection Kit	117-9179
CE Kit	117-9248
CE Kit, Grass Collection System.....	117-9249
Brake Service Kit	120-0015
Premium Engine Oil 15w40 (55 Gallon Drum)	121-6394
Premium Engine Oil 15w40 (5 Gallon Pail)	121-6395
400-hour Filter Maintenance Kit.....	30052
Recycler Kit, 72in Side Discharge Deck.....	30347
Hardtop Sunshade.....	30359
Polar Trac Kit.....	30370
Polar Trac Cab.....	30371
North American Road Light Kit	30374
Rear Quick Attach System.....	30377
V-Plow Mounting Kit.....	30378
Auxiliary Hydraulic Power Kit.....	30380
Auxiliary Power Unit.....	30382
CE Kit	30392
Debris Blower	30393
Grass Collection System	30460
48in V-Plow.....	30750

Notes:

Notes:



Count on it.