



Count on it.

Parts Catalog

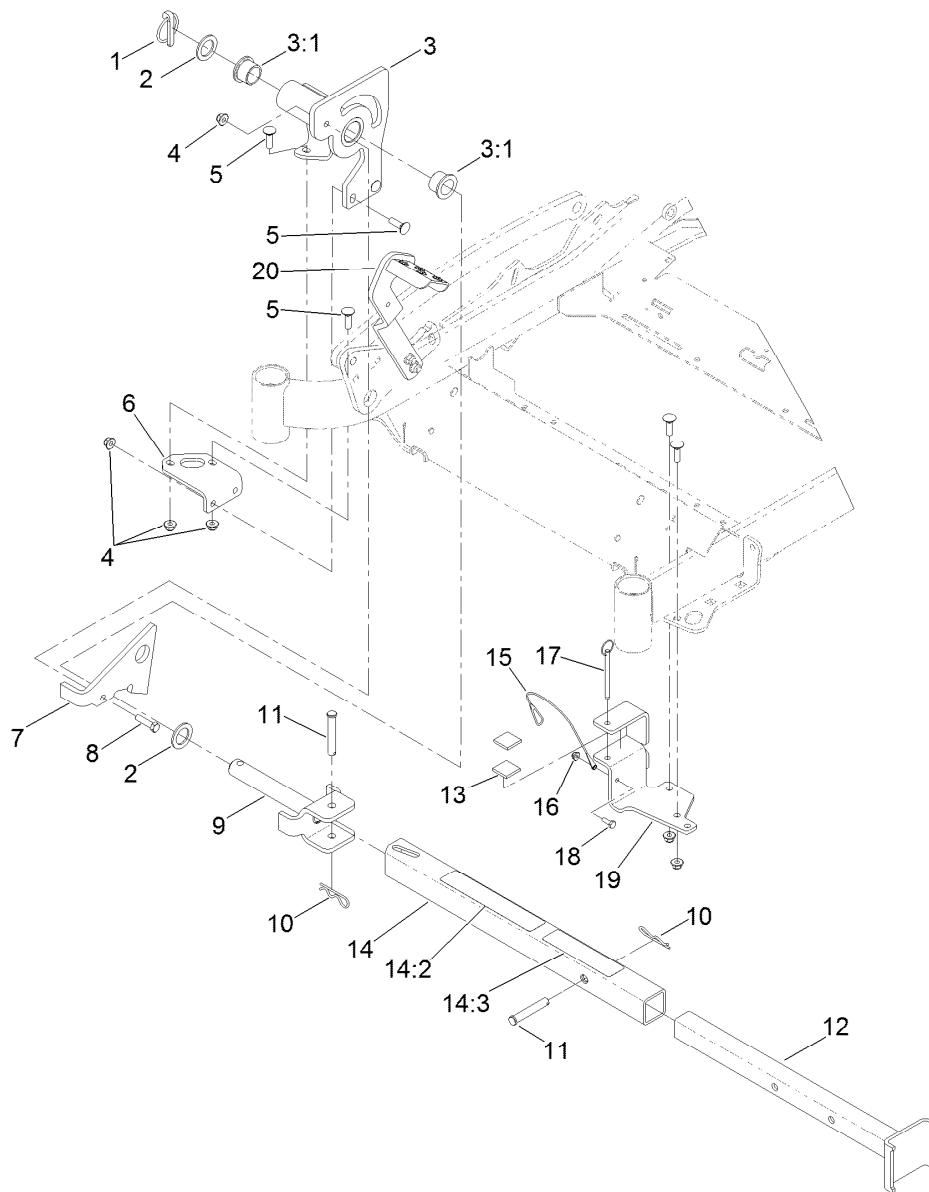
Z Stand[®] Kit

Z Master[®] Riding Mower

Model No. 121-4811

Model No. 78584





Z Stand Kit No. 121-4811

| <i>Ref.</i> | <i>Part Number</i> | <i>Qty.</i> | <i>Description</i> | <i>Ref.</i> | <i>Part Number</i> | <i>Qty.</i> | <i>Description</i> |
|-------------|--------------------|-------------|----------------------|-------------|--------------------|-------------|-----------------------|
| 1 | 283-71 | 1 | Pin-Lynch | 12 | 115-3631-01 | 1 | Tube-Inner |
| 2 | 3-6781 | 2 | Washer-Thrust | 13 | 115-3613 | 2 | Cushion-Rubber |
| 3 | 115-3635 | 1 | Z Stand Pivot ASM | 14 | 115-3634 | 1 | Outer Tube ASM |
| 3:1 | 94-1291 | 2 | Bushing | 14:2 | 106-7464 | 1 | Decal-Z Stand |
| 4 | 104-8301 | 8 | Nut-Flange, NI | 14:3 | 107-3969 | 1 | Decal-Warning |
| 5 | 3231-25 | 7 | Bolt-CARR | 15 | 100-9385 | 1 | Lanyard-Nylon |
| 6 | 115-3619-01 | 1 | Bracket-Mount, Pivot | 16 | 104-7201 | 1 | Nut-HF |
| 7 | 100-9686-01 | 1 | Bracket-Latch | 17 | 105-1647 | 1 | Pin-Hitch, Cotterless |
| 8 | 323-8 | 1 | Screw-HH | 18 | 321-4 | 1 | Screw-HH |
| 9 | 100-9692-01 | 1 | Pin-Pivot | 19 | 115-3625-01 | 1 | Cradle-Z Stand |
| 10 | 3290-355 | 2 | Pin-Hair | 20 | 120-7877-01 | 1 | Lever-Foot |
| 11 | 283-55 | 2 | Pin-Clevis | | | | |