



Count on it.

Parts Catalog

55cm Recycler® Lawn Mower

Model No. 20954—Serial No. 313000001 and Up



Ordering Replacement Parts

To order replacement parts, please supply the part number, the quantity, and the description of each part desired.

Understanding Reference Numbers

Each identified part in an illustration has a reference number. The reference number for a part also appears in the parts list, along with other information about the part.

This catalog uses two special reference number formats, one to indicate parts in a service assembly and another to indicate the quantity of a given part in an illustration.

Service Assembly Reference Numbers

Parts in service assemblies have reference numbers in the form a:b. The a represents the reference number of the entire service assembly and the b represents a sequential number unique to each part within the service assembly.

For example, a wheel assembly might be identified by reference number 6, the tire by 6:1, the valve by 6:2, and the wheel by 6:3. When you order the assembly identified by reference number 6, you receive all parts identified by reference numbers 6:1, 6:2, and 6:3. However, you may also order any part individually. Reference numbers of this type appear in illustration and in parts lists.

Reference Numbers Indicating Quantity

In an illustration, if a reference number indicates more than one part, the reference number has the form nX y. The n represents the quantity of the part, the X is the multiplication symbol, and the y represents the reference number.

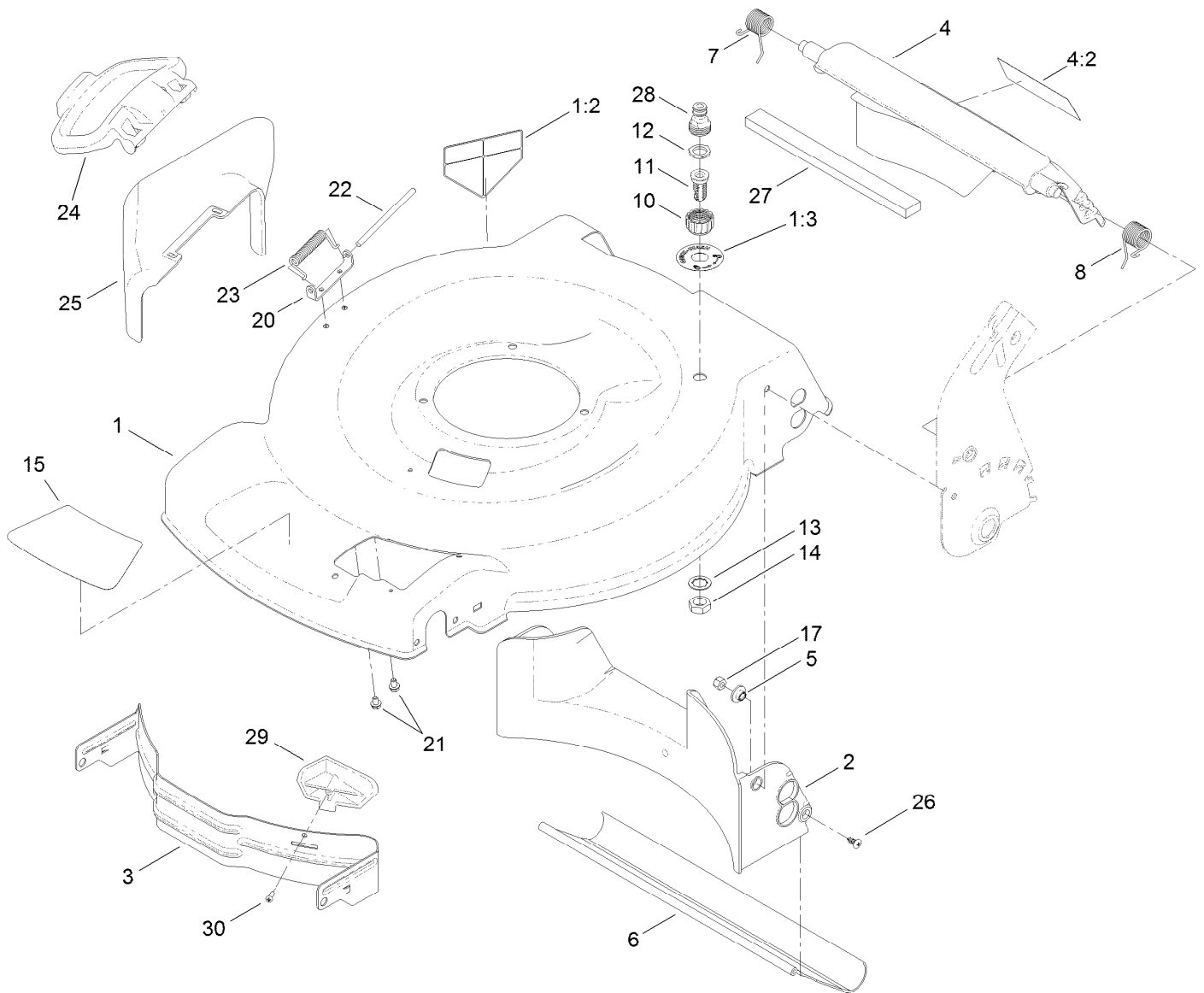
For example, in an illustration, the reference number 2X 37 means that two of the parts identified by reference number 37 are indicated.

List of Abbreviations

AR: as required	HLH: hex lag head	PTO: power-take-off
ASM: assembly	HOC: height-of-cut	RH: right hand
BBC: blade brake control	HSBH: hex socket button head	ROPS: roll-over protection system
BHTF: button head thread forming	HSFH: hex socket flat head	RRB: rear roller brush
CARR: carriage	HSH: hex socket head	SFH: slotted fillister head
CCW: counter clockwise	HWH: hex washer head	SHH: slotted hex head
CW: clockwise	HWHTF: hex washer head thread forming	SHWH: slotted hex washer head
DEG: degrees	HYD: hydraulic	SPH: slotted pan head
DPA: Dual Point Adjustment	LH: left hand	SQH: square head
ECM: electronic control module	LP: Liquefied Petroleum Gas	SRH: slotted round head
EXT: external	LPG: Liquefied Petroleum Gas	STD: standard
FH: flat head	NI: nylon insert	TAP: self tapping
GA: gauge	NPTF: national pipe thread fine	TTH: torx truss head
HD: heavy-duty	PFH: phillips flat head	
HF: hex flange	PPH: phillips pan head	
HH: hex head	PPHTF: phillips pan head thread forming	
HHF: hex head flange	PRH: phillips round head	
HHFTF: hex head flange thread forming	PTH: phillips truss head	
HJ: hex jam		

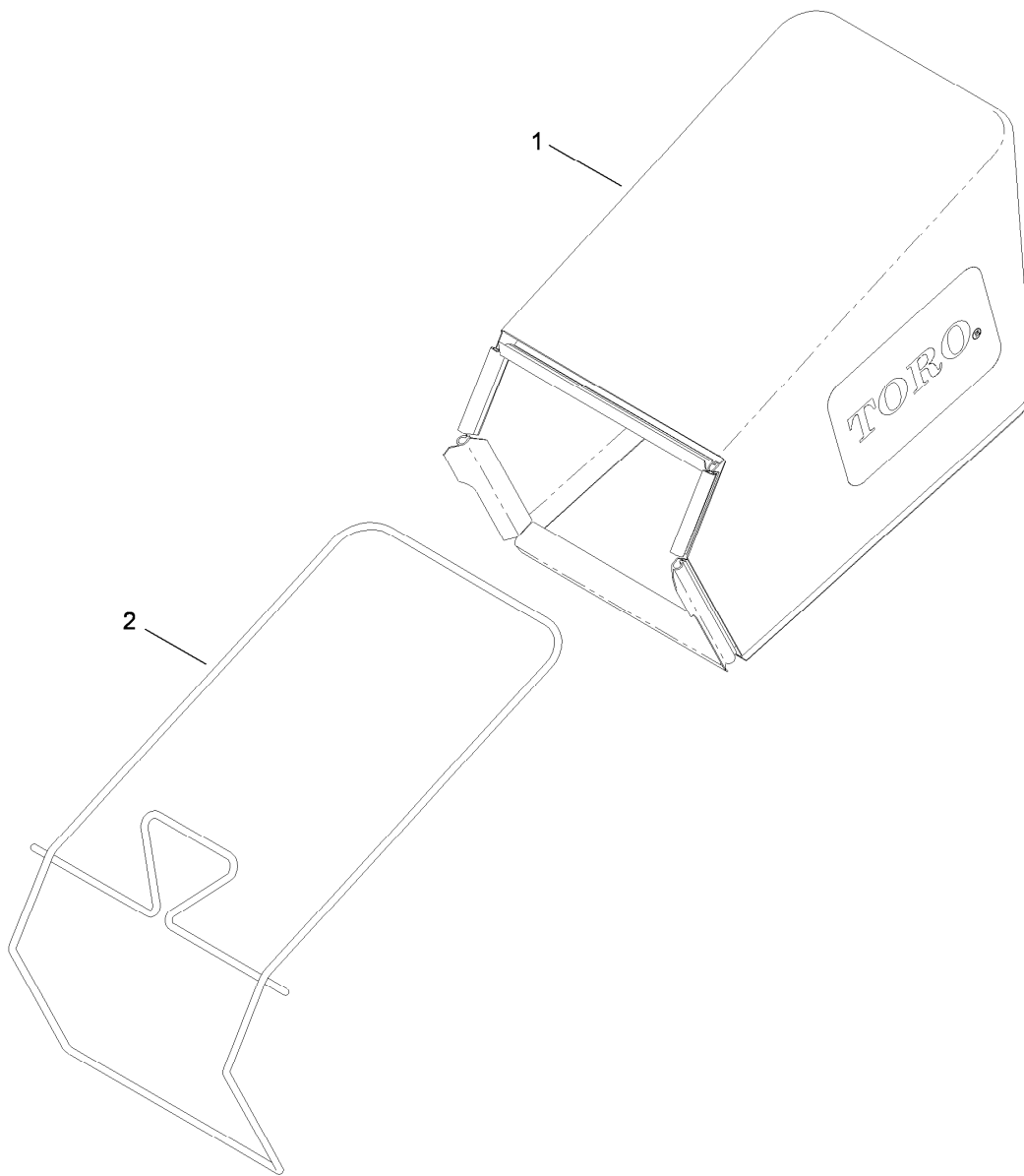
Contents

Housing and Rear Door Assembly	4
Rear Bag Assembly	5
Engine and Blade Assembly	6
Transmission and Front Wheel Drive Assembly	7
Height-of-Cut and Rear Wheel Assembly	8
Handle Assembly	9
Attachments and Accessories	10



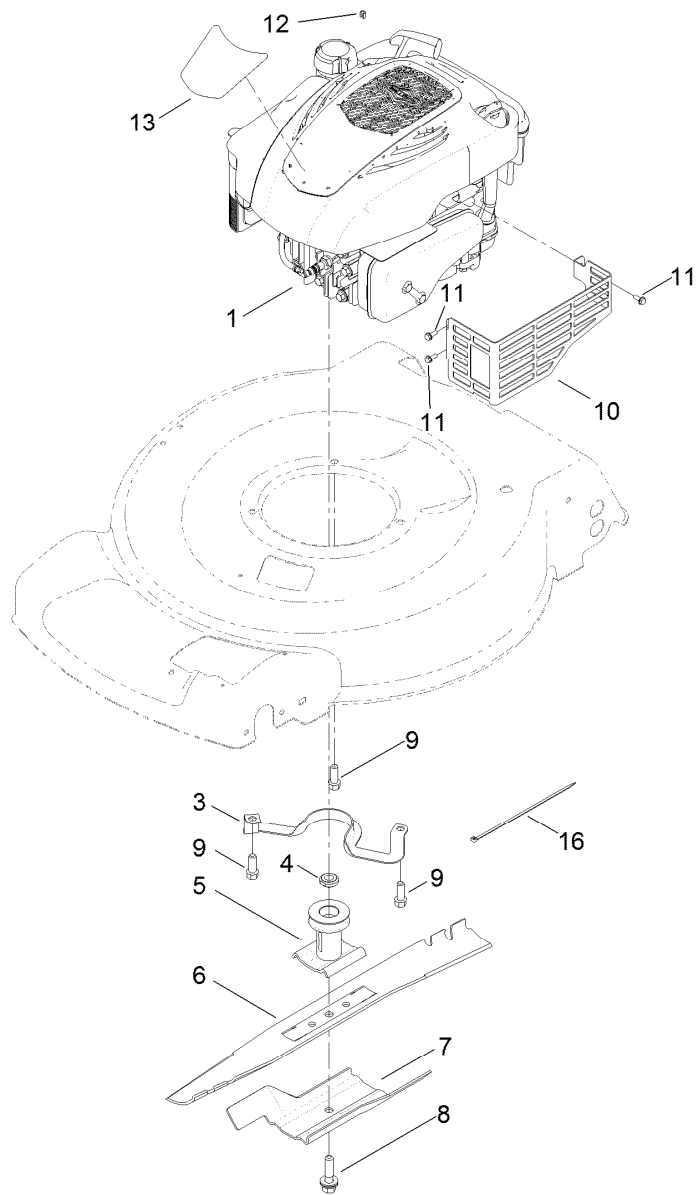
Housing and Rear Door Assembly

<i>Ref.</i>	<i>Part Number</i>	<i>Qty.</i>	<i>Description</i>	<i>Ref.</i>	<i>Part Number</i>	<i>Qty.</i>	<i>Description</i>
1	120-3326	1	Housing ASM	13	3254-5	1	Washer-Tooth, Internal
1:2	112-8760	1	Decal-Danger	14	3218-6	1	Nut-Jam
1:3	112-8867	1	Decal-Port, Washout	15	120-3323	1	Decal-Deck
2	120-5218	1	Baffle-Rear	17	3296-29	2	Nut-Lock, NI
3	115-4667-01	1	Baffle-Front	20	112-6416	1	Bracket-Cover
4	117-4199	1	Rear Deflector ASM	21	99-8445	2	Screw-HWH, Taptite
4:2	114-7982	1	Decal-Warning	22	99-5291	1	Rod-Cover
5	117-5991	2	Washer-Stepped, Baffle	23	99-5293	1	Spring-Torsion
6	115-8420	1	Shield-Trailing	24	115-8449	1	Deflector-Side
7	114-7924	1	Spring-Torsion	25	115-8447	1	Chute-Discharge, Side
8	115-2859	1	Spring-Torsion	26	117-1092	2	Screw-PTH
10	112-6401	1	Coupling-Hose, Washout Port	27	117-5924	1	Foam-Seal
11	112-6400	1	Port-Washout	28	112-6437	1	Adapter-Connect, Quick
12	112-6438	1	Washer-Seal, Washout Port	29	115-4672	1	Kicker-Front
				30	32144-111	1	Screw-PPH



Rear Bag Assembly

<i>Ref.</i>	<i>Part Number</i>	<i>Qty.</i>	<i>Description</i>
1	115-4664	1	Grass Bag ASM
2	114-2639-03	1	Frame-Bag

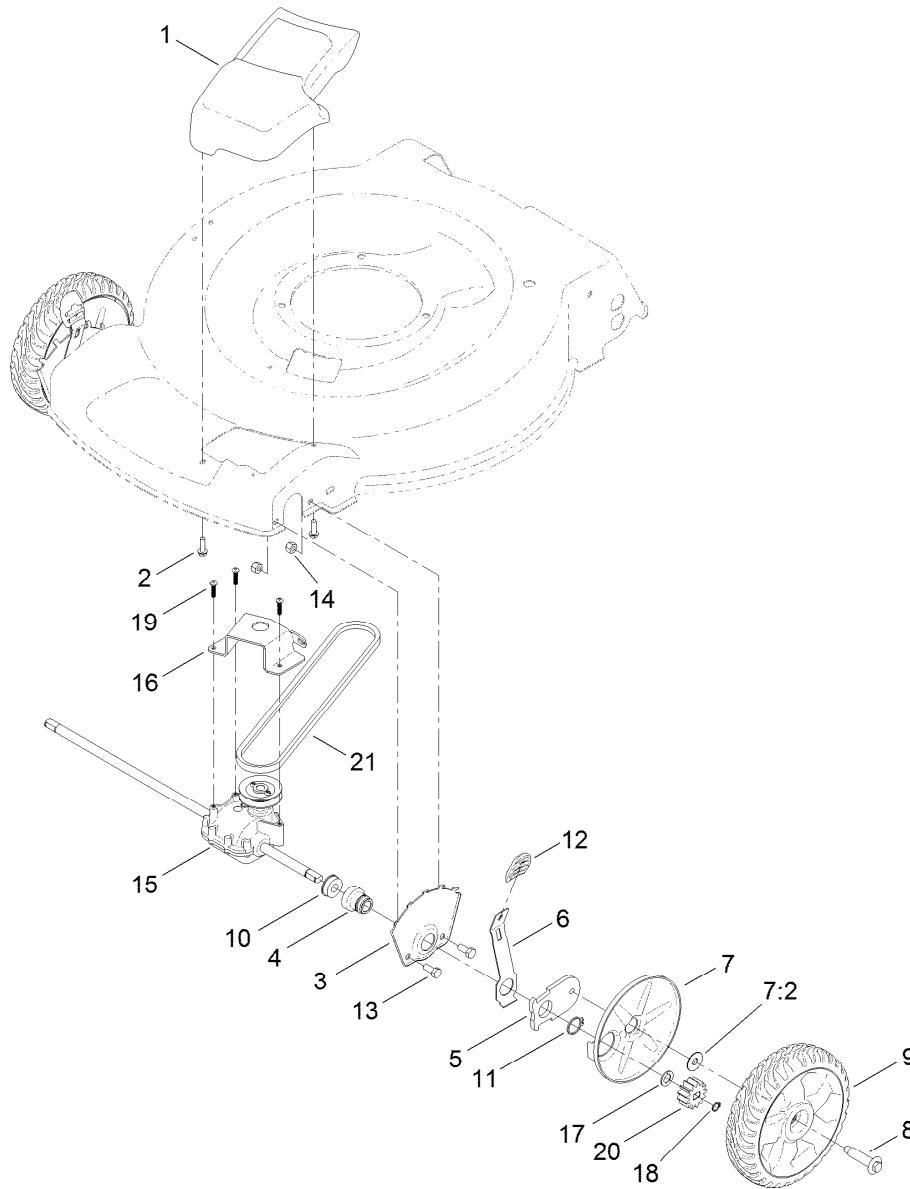


Engine and Blade Assembly

Ref.	Part Number	Qty.	Description
1		1	Engine-Briggs, 126M020119F1 ●■
3	105-3031-03	1	Guide-Belt
4	106-3999	1	Spacer-Driver
5	106-3987	1	Blade Driver ASM
6	108-9783-03	1	Blade
7	105-6848-03	1	Accelerator-Blade
8	125-2466	1	Bolt-Blade, Sems
9	95-1726	3	Screw-Taptite
10	104-7577-03	1	Shield-Muffler
11	32144-1	3	Screw-Taptite
12	2210-316	1	Stop-Rope
13	120-1935	1	Decal-Shroud
16	110-7409	1	Tie-Cable, Motor

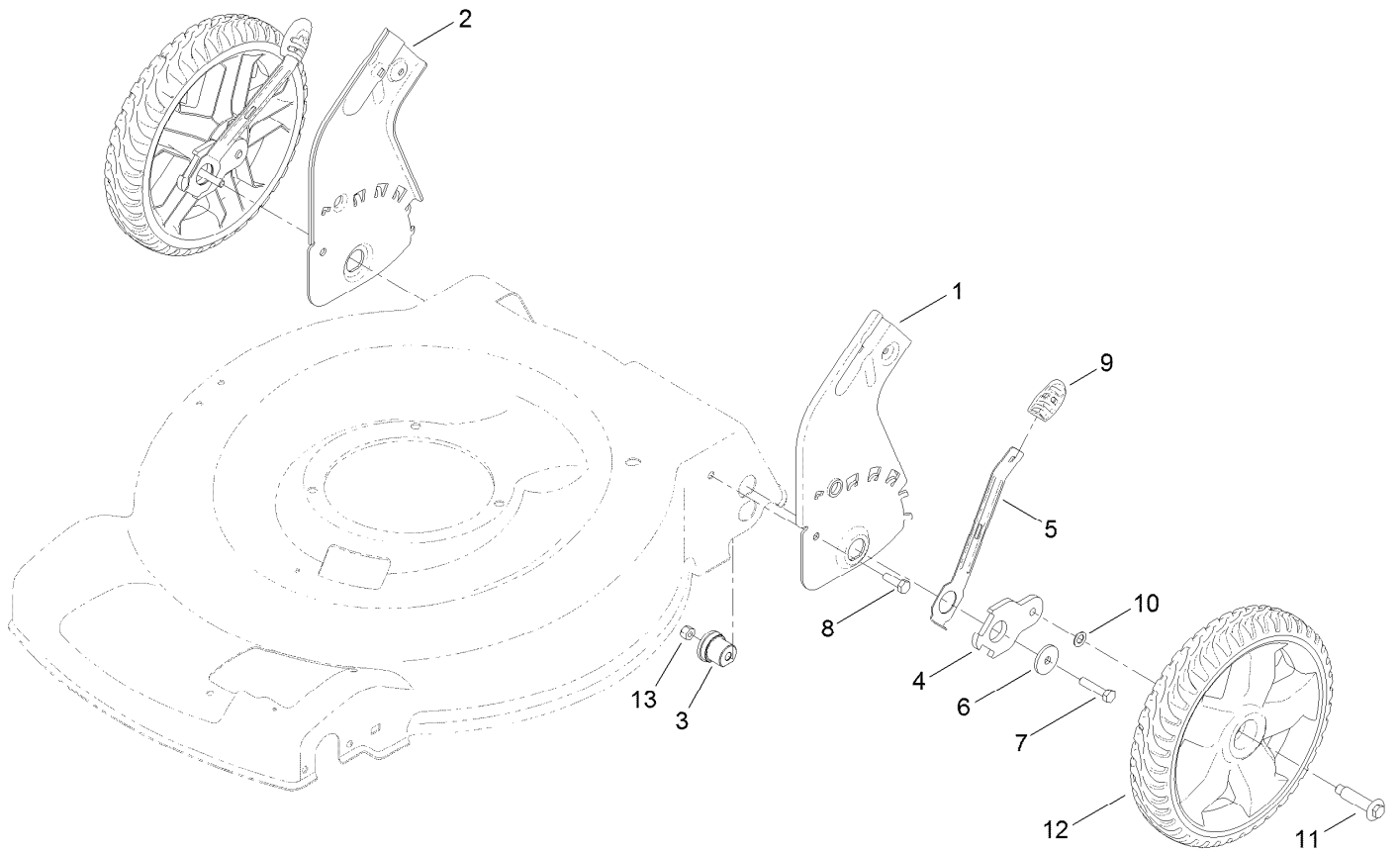
● Not serviced separately

■ Obtain parts from www.briggsandstratton.com



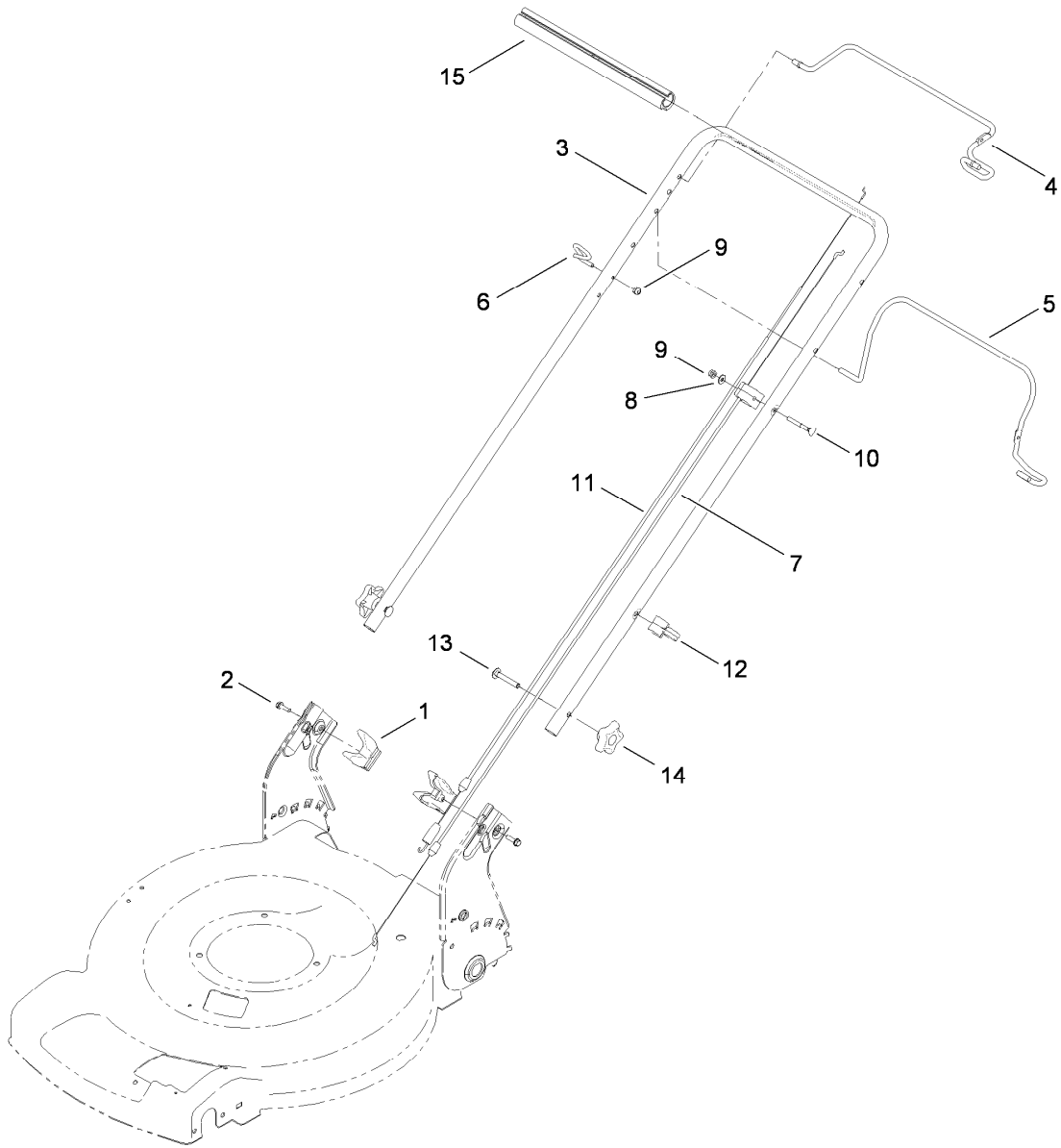
Transmission and Front Wheel Drive Assembly

<i>Ref.</i>	<i>Part Number</i>	<i>Qty.</i>	<i>Description</i>	<i>Ref.</i>	<i>Part Number</i>	<i>Qty.</i>	<i>Description</i>
1	115-1305	1	Cover-Belt	11	32151-36	2	Ring-Retaining
2	46-8091	2	Screw-HWH	12	105-3042	2	Knob-Lever, HOC
3	115-1956-03	2	Plate-HOC, Front	13	322-3	4	Screw-HH
4	104-8698	2	Retainer-Bearing, HOC	14	3296-29	4	Nut-Lock, NI
5	105-1807	2	Arm-Pivot, Front	15	121-9180	1	Transmission ASM
6	105-1809	2	Arm-Spring	16	114-7978-03	1	Bracket-Transmission
7	110-1792	2	Wheel Cover ASM	17	110-7191	2	Washer-Thrust
7:2	614426	1	Washer-Stepped	18	32151-61	2	Ring-Retaining
8	614650	2	Bolt-Shoulder	19	108-7476	3	Screw-Plastite
9	119-0311	2	8 Inch Wheel ASM	20	115-4665	2	Gear-Pinion, 13T
10	104-8699	2	Bearing-Ball	21	117-1018	1	V-Belt



Height-of-Cut and Rear Wheel Assembly

<i>Ref.</i>	<i>Part Number</i>	<i>Qty.</i>	<i>Description</i>
1	114-7993-03	1	Plate-HOC, Rear (LH)
2	114-7994-03	1	Plate-HOC, Rear (RH)
3	115-4651	2	Bushing-Mount, HOC
4	114-7997	2	Arm-Pivot, Rear
5	115-2899	2	Arm-Spring, Rear
6	105-3048	2	Washer-Flat
7	322-7	2	Screw-HH
8	322-5	2	Screw-HH
9	105-3042	2	Knob-Lever, HOC
10	40-1940	2	Washer
11	614650	2	Bolt-Shoulder
12	119-0313	2	11 Inch Wheel ASM
13	3296-29	2	Nut-Lock, NI



Handle Assembly

Ref.	Part Number	Qty.	Description
1	115-2866	2	Anchor-Bag
2	46-8091	2	Screw-HWH
3	119-3810-05	1	Handle
4	119-2378-03	1	Bail-Traction
5	117-5965-03	1	Bail-Brake
6	86-9671	1	Guide-Rope
7	112-8818	1	Cable-Brake
8	3256-1	1	Washer-Flat
9	3296-73	2	Nut-Lock, NI
10	92-2270	1	Screw-Handle
11	119-2379	1	Cable-Traction
12	114-7988	1	Guide-Cable
13	3230-6	2	Screw-CARR
14	117-5976	2	Knob-Handle, Locking
15	119-2357	1	Grip-Handle, Comfort

Attachments and Accessories

For 20954 55cm Recycler Lawn Mower

Product Name	Model/Part
Replacement Bag	59305
Replacement Bag and Frame Kit	59307

Notes:



Count on it.