



**Count on it.**

**Parts Catalog**

**Commercial Walk-Behind Mower  
Fixed Deck, Pistol Grip, Gear Drive with 32in  
Cutting Unit**

**Model No. 30632—Serial No. 313000001 and Up**



# Ordering Replacement Parts

To order replacement parts, please supply the part number, the quantity, and the description of each part desired.

## Understanding Reference Numbers

Each identified part in an illustration has a reference number. The reference number for a part also appears in the parts list, along with other information about the part.

This catalog uses two special reference number formats, one to indicate parts in a service assembly and another to indicate the quantity of a given part in an illustration.

## Service Assembly Reference Numbers

Parts in service assemblies have reference numbers in the form a:b. The a represents the reference number of the entire service assembly and the b represents a sequential number unique to each part within the service assembly.

For example, a wheel assembly might be identified by reference number 6, the tire by 6:1, the valve by 6:2, and the wheel by 6:3. When you order the assembly identified by reference number 6, you receive all parts identified by reference numbers 6:1, 6:2, and 6:3. However, you may also order any part individually. Reference numbers of this type appear in illustration and in parts lists.

## Reference Numbers Indicating Quantity

In an illustration, if a reference number indicates more than one part, the reference number has the form nX y. The n represents the quantity of the part, the X is the multiplication symbol, and the y represents the reference number.

For example, in an illustration, the reference number 2X 37 means that two of the parts identified by reference number 37 are indicated.

# List of Abbreviations

**AR:** as required

**ASM:** assembly

**BBC:** blade brake control

**BHTF:** button head thread forming

**CARR:** carriage

**CCW:** counter clockwise

**CW:** clockwise

**DEG:** degrees

**DPA:** Dual Point Adjustment

**ECM:** electronic control module

**EXT:** external

**FH:** flat head

**GA:** gauge

**HD:** heavy-duty

**HF:** hex flange

**HH:** hex head

**HHF:** hex head flange

**HHFTF:** hex head flange thread forming

**HJ:** hex jam

**HLH:** hex lag head

**HOC:** height-of-cut

**HSBH:** hex socket button head

**HSFH:** hex socket flat head

**HSH:** hex socket head

**HWH:** hex washer head

**HWHTF:** hex washer head thread forming

**HYD:** hydraulic

**LH:** left hand

**LP:** Liquefied Petroleum Gas

**LPG:** Liquefied Petroleum Gas

**NI:** nylon insert

**NPTF:** national pipe thread fine

**PFH:** phillips flat head

**PPH:** phillips pan head

**PPHTF:** phillips pan head thread forming

**PRH:** phillips round head

**PTH:** phillips truss head

**PTO:** power-take-off

**RH:** right hand

**ROPS:** roll-over protection system

**RRB:** rear roller brush

**SFH:** slotted fillister head

**SHH:** slotted hex head

**SHWH:** slotted hex washer head

**SPH:** slotted pan head

**SQH:** square head

**SRH:** slotted round head

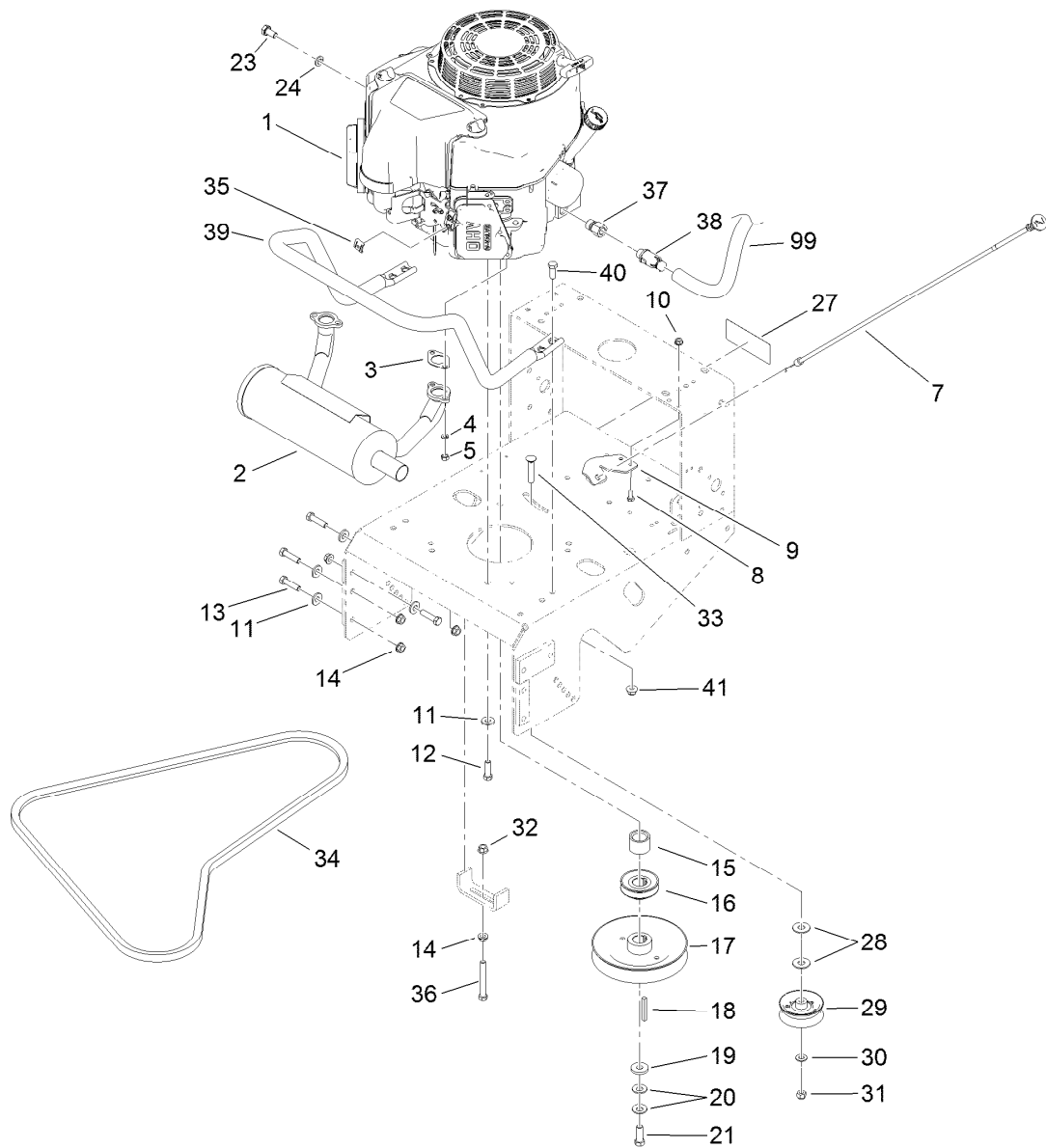
**STD:** standard

**TAP:** self tapping

**TTH:** torx truss head

# Contents

Engine and Exhaust Assembly.....	4
Fuel System Assembly .....	6
Frame and Transmission Assembly .....	7
Drive Wheel and Brake Assembly .....	9
Handle Control Assembly .....	11
Handle Assembly .....	12
Deck and Shield Assembly .....	13
Deck Decal Assembly No. 110-6901.....	14
Deflector Assembly No. 119-6529.....	15
Idler Arm and Caster Wheel Assembly .....	16
Spindle and Blade Assembly .....	18
Cutter Housing Assembly No. 107-4065 .....	19
Attachments and Accessories .....	20



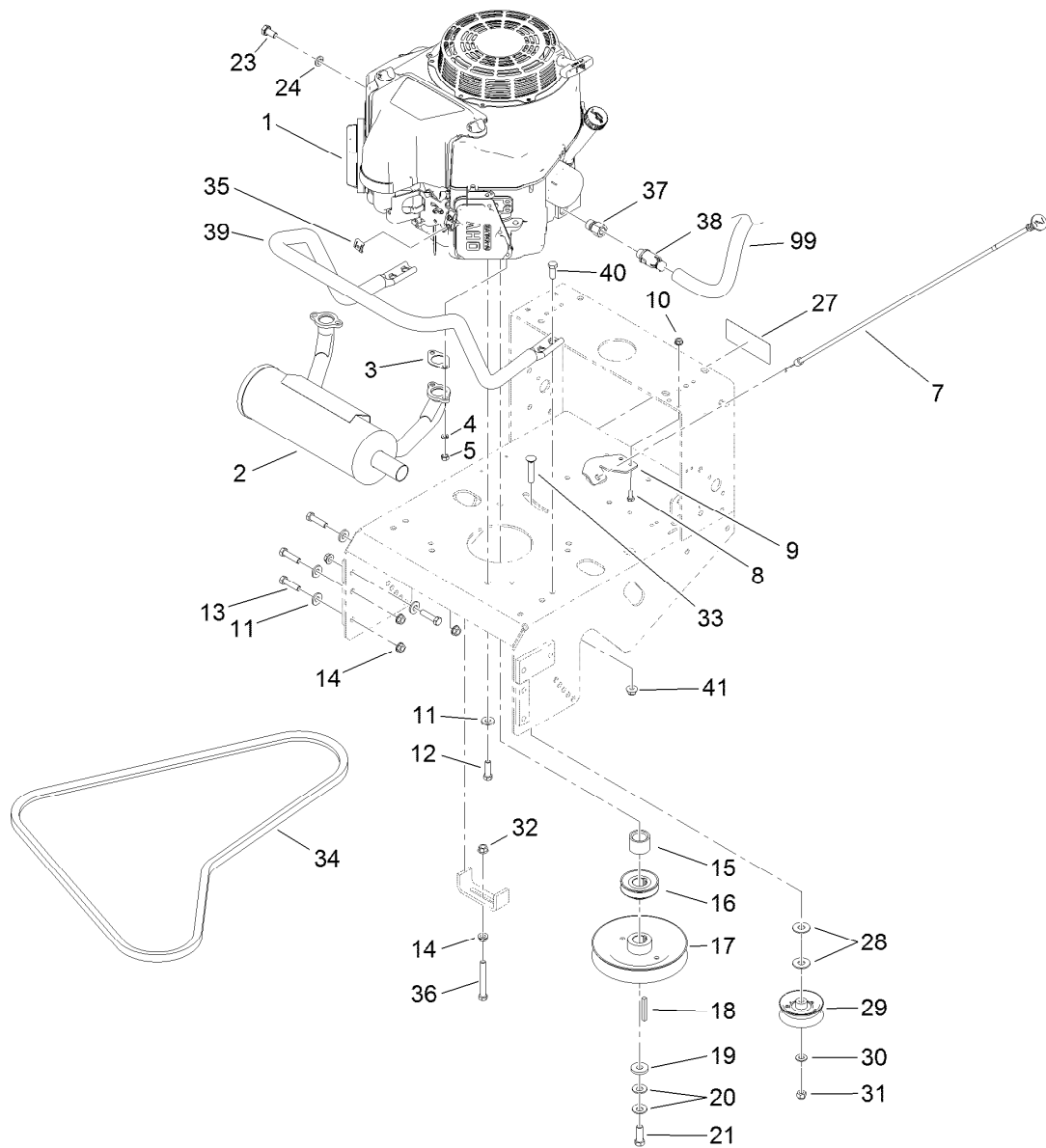
## Engine and Exhaust Assembly

Ref.	Part Number	Qty.	Description
1		1	Engine-Kawasaki, Fs481V-As06 ●■
2	116-3734	1	Muffler-Horizontal, Offset
3	1-653313	2	Gasket-Exhaust
4	114-3550	4	Washer-Lock, Spring
5	114-3549	4	Nut
7	103-1796	1	Cable-Choke
8	321-3	2	Screw-HH
9	103-1797-01	1	Bracket-Cable, Choke
10	32128-33	2	Nut-HF
11	98-5975	12	Washer-Belleville
12	323-7	4	Screw-HH
13	323-8	8	Screw-HH
14	3290-357	9	Nut-HHF, Whiz
15	1-633453	1	Spacer-Clutch
16	103-1666	1	Sheave-Transmission
17	103-1667	1	Sheave
18	103-4177	1	Key

Ref.	Part Number	Qty.	Description
19	1-373034	1	Washer
20	1-603610	2	Washer-Spring
21	116-3702	1	Screw-HH
23	33114-016	1	Screw-HH
24	3253-4	1	Washer-Lock
27	98-0776	1	Decal-Caution
28	3256-5	2	Washer-Flat
29	1-323285	1	Pulley-Idler, Flat
30	3256-24	1	Washer-Flat
31	3296-39	1	Nut-Lock, NI
32	32128-21	1	Nut-HF
33	3231-6	1	Screw-CARR
34	1-323745	1	Belt-V
35	81-1690	1	Clamp-Cable
36	323-14	1	Screw-HH
37	103-1966	1	Adapter
38	120-4321	1	Valve-Drain, Oil
39	116-6278-03	1	Guard-Muffler

● Not serviced separately

■ Obtain parts from [www.kawpowerpc.com](http://www.kawpowerpc.com)



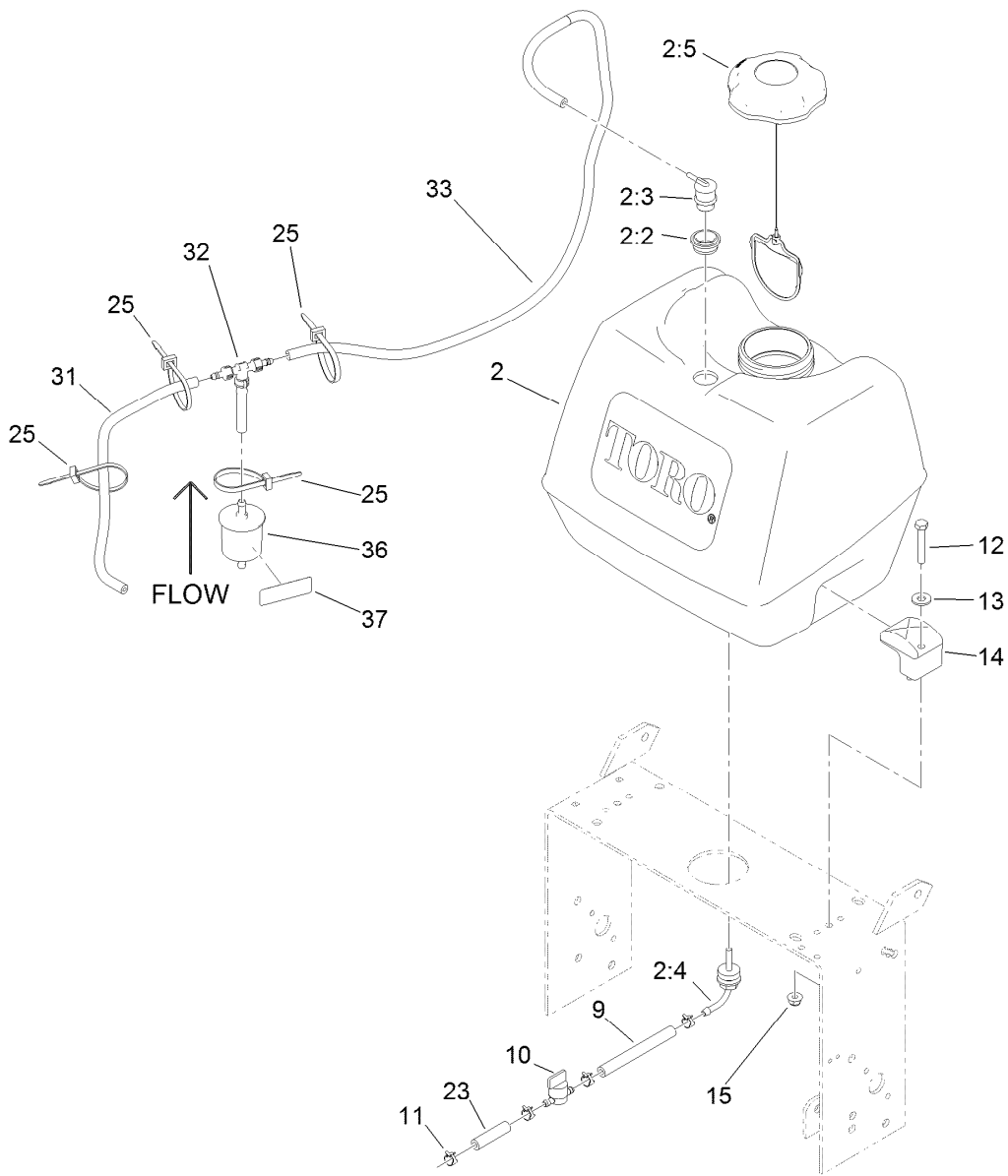
## Engine and Exhaust Assembly (continued)

Ref.	Part Number	Qty.	Description
40	323-6	4	Screw-HH

Ref.	Part Number	Qty.	Description
41	104-8301	4	Nut-Flange, NI
99	103-1964	1	Hose-Drain, Oil

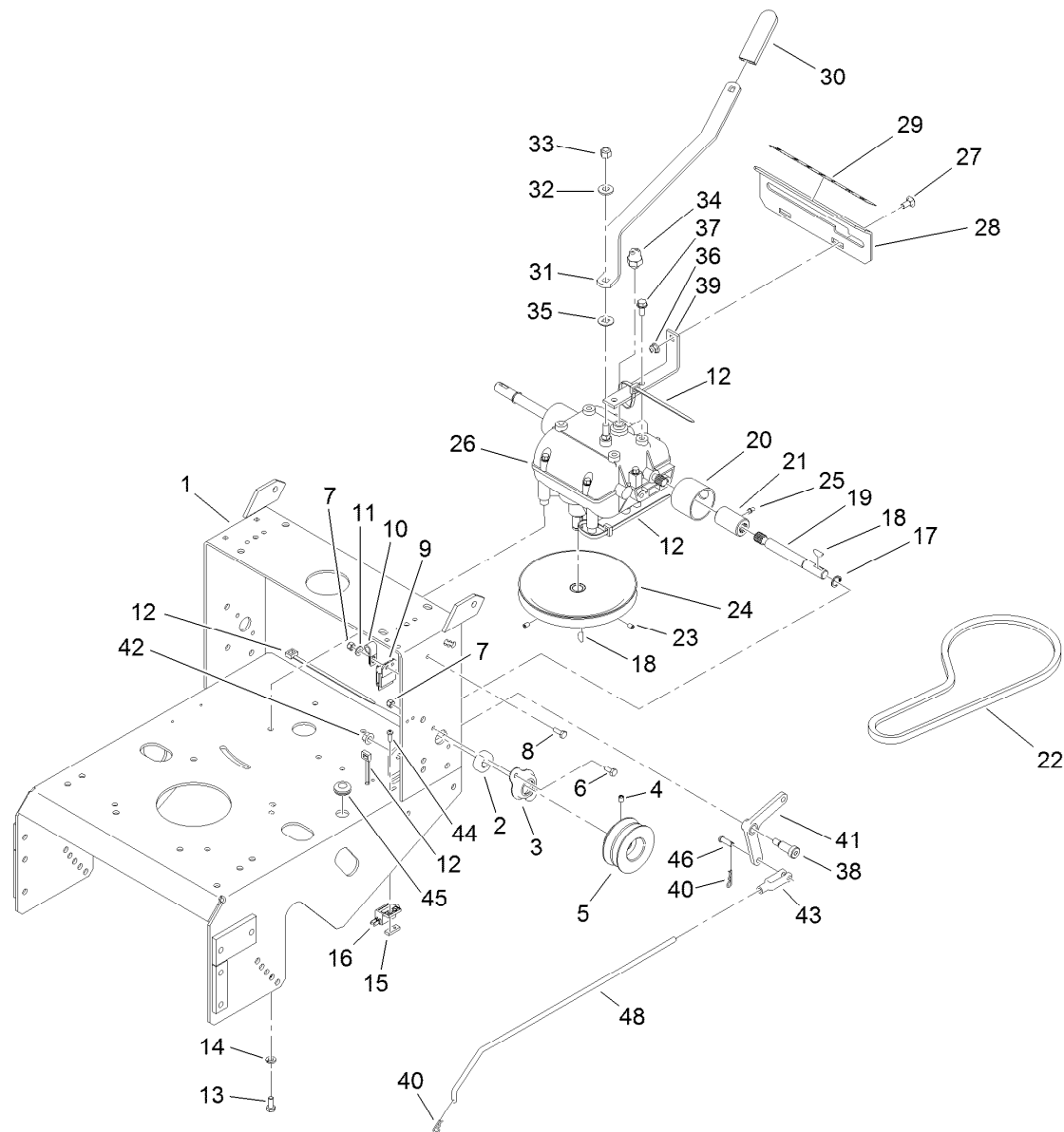
● Not serviced separately

■ Obtain parts from [www.kawpowerpc.com](http://www.kawpowerpc.com)



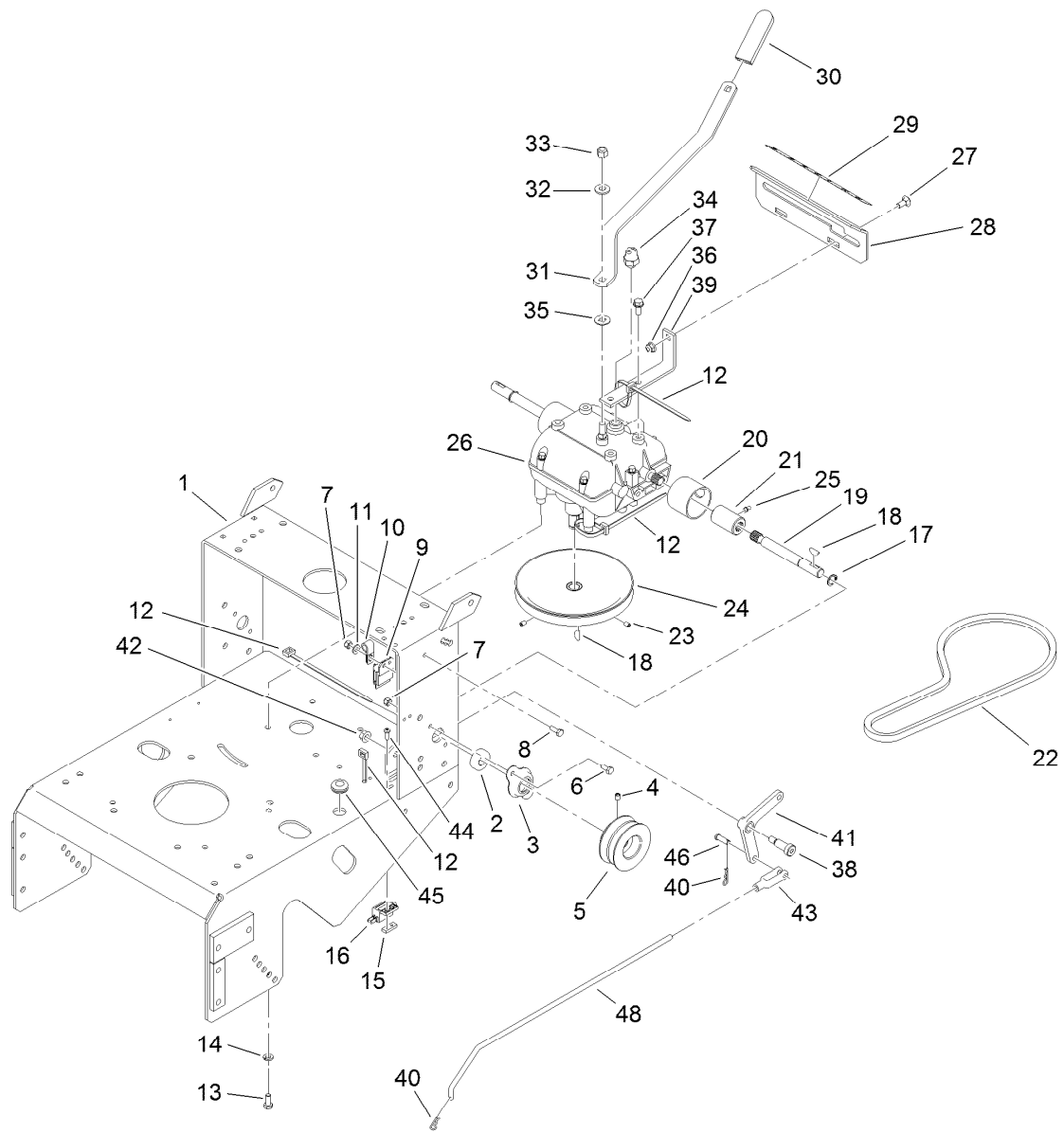
## Fuel System Assembly

Ref.	Part Number	Qty.	Description	Ref.	Part Number	Qty.	Description
2	119-7899	1	Fuel Tank ASM	14	107-4543	2	Clamp
2:2	114-0284	1	Grommet	15	104-8300	2	Nut-Flange, NI
2:3	114-0285	1	Valve-Rollover	23	99-9415	1	Hose-Fuel
2:4	103-2605	1	Fitting-Fuel, Bulkhead	25	3290-378	4	Tie-Cable
2:5	120-5461	1	Cap-Fuel, Ratcheting	31	115-7872	1	Hose-Fuel
9	109-0650	1	Hose-Fuel	32	116-5464	1	Tee And Check ASM
10	1-603770	1	Valve-Fuel	33	116-4346	1	Hose-Emissions
11	2412-98	4	Clamp-Hose	36	120-2235	1	Filter-Fuel
12	322-10	2	Screw-HH	37	116-4769	1	Decal-Filter, Emissions
13	3256-3	2	Washer-Flat				



## Frame and Transmission Assembly

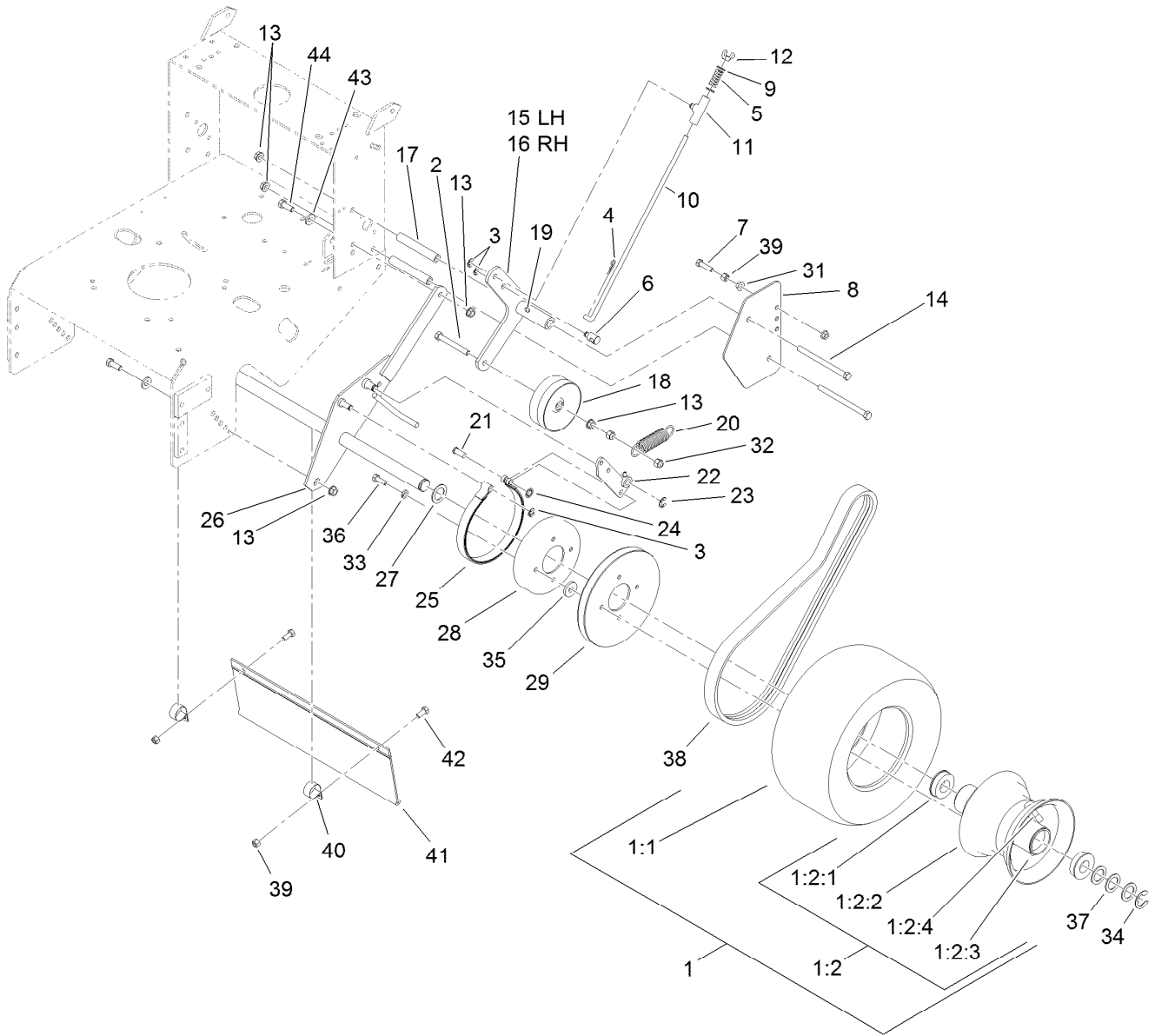
Ref.	Part Number	Qty.	Description	Ref.	Part Number	Qty.	Description
1	116-6084-01	1	Gear Frame ASM	22	1-323630	1	V-Belt
2	1-323252	2	Bearing-Shaft	23	3245-41	2	Screw-HSH
3	1-323254	2	Flange-Output	24	1-323278	1	Sheave-Transmission
4	3246-18	2	Setscrew	25	302-19	2	Fitting-Grease
5	103-6512	2	Sheave-Transmission	26	1-323500	1	Transmission
6	321-3	4	Screw-HH	27	3230-1	2	Bolt-CARR
7	3296-42	5	Nut-Lock, NI	28	1-323387-03	1	Plate-Shift
8	321-4	1	Screw-HH	29	105-4104	1	Decal-Speed, Ground
9	1-323430	1	Module-Interlock	30	1-303020	1	Grip-Lever
10	1-513762	1	Clip-Loom	31	98-3274-03	1	Lever-Shift
11	3256-22	1	Washer-Flat	32	98-5975	1	Washer-Belleville
12	1-303335	3	Tie-Plastic	33	3296-6	1	Nut-Lock
13	322-3	4	Screw-HH	34	1-303282	1	Switch-Start, Neutral
14	1-805005	4	Washer-Lock	35	1-323379	1	Washer
15	1-633181	1	Plate-Tapped	36	104-8300	2	Nut-Flange, NI
16	1-513051	1	Switch-Open, Normally	37	32144-11	4	Screw-HWHTF
17	32151-62	2	Ring-Retaining	38	1-603403	1	Bolt-Shoulder
18	3257-5	3	Key-Woodruff	39	1-323389-03	2	Bracket-Plate, Shift
19	1-323502	2	Shaft-Transmission	40	1-806003	2	Pin-Cotter, Hair
20	51-4220	2	Guard-Coupler	41	1-303186	1	Bellcrank
21	1-323680	2	Coupler	42	3290-357	1	Nut-HHF, Whiz



## Frame and Transmission Assembly (continued)

<i>Ref.</i>	<i>Part Number</i>	<i>Qty.</i>	<i>Description</i>	<i>Ref.</i>	<i>Part Number</i>	<i>Qty.</i>	<i>Description</i>
43	1-303105	1	Yoke-Adjustable	46	1-808280	1	Pin-Clevis
44	3290-500	2	Screw-PPH	48	1-323303	1	Linkage-Arm
45	1-543296	1	Grommet				

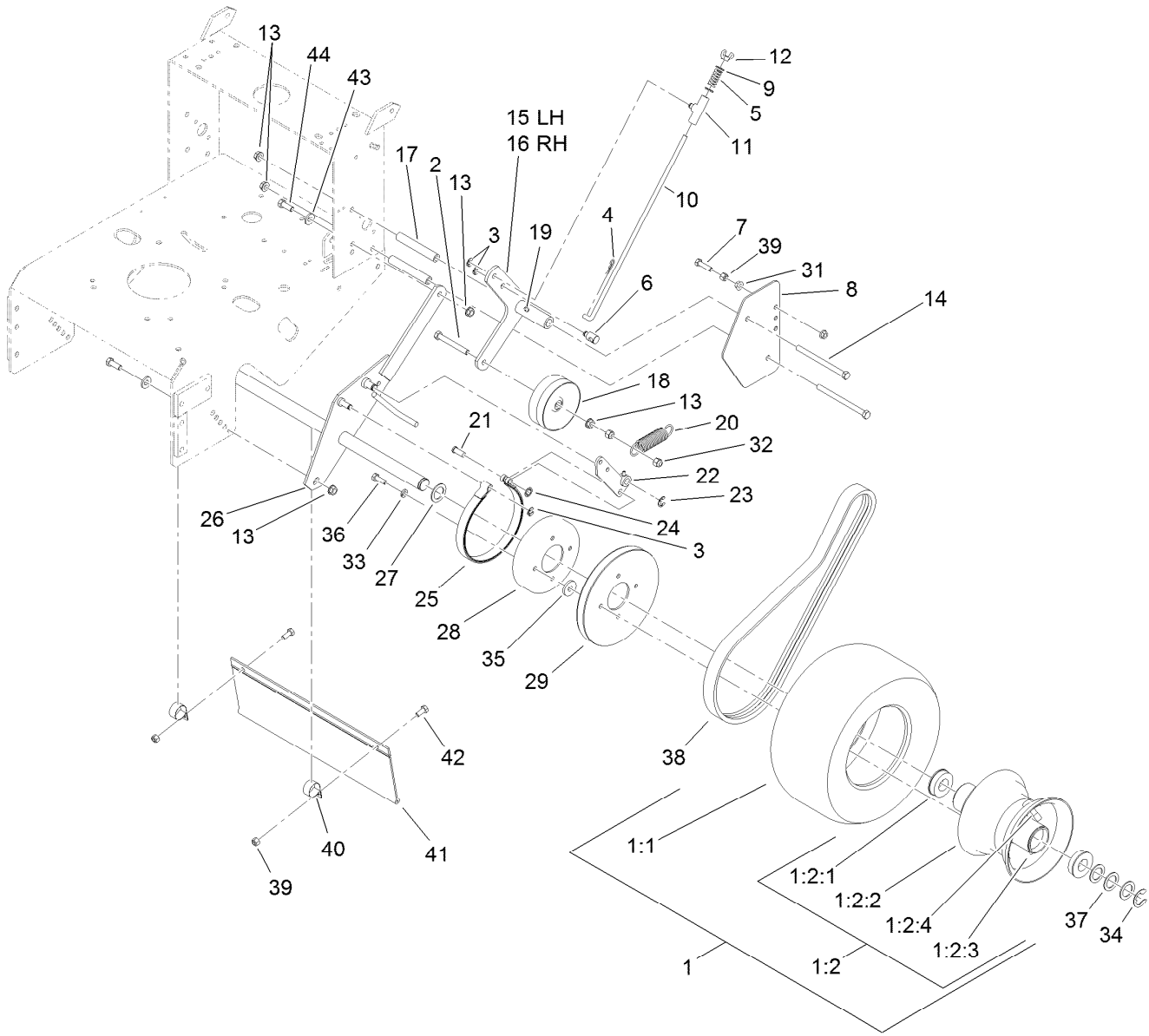




## Drive Wheel and Brake Assembly

Ref.	Part Number	Qty.	Description	Ref.	Part Number	Qty.	Description
1	1-323346	2	Wheel And Tire ASM	13	3290-357	10	Nut-HHF, Whiz
1:1	1-323361	1	Tire	14	323-39	4	Screw-HH
1:2	1-323360	1	Wheel And Hub ASM	15	116-7542-03	1	LH Idler Arm ASM
1:2:1	1-323329	2	Bearing-Flanged	16	116-7543-03	1	RH Idler Arm ASM
1:2:2		1	Rim ASM ●	17	1-323283	4	Spacer-Shield
1:2:3		1	Fitting-Grease ●	18	1-323352	2	Idler-Wheel, Drive
1:2:4		1	Valve Stem And Cap ●	19	302-19	2	Fitting-Grease
2	99-8664	2	Screw-HH	20	1-603402	2	Spring-Extension
3	32151-47	6	Ring-Retaining	21	1-323307	2	Pin-Clevis
4	1-806003	2	Pin-Cotter, Hair	22	103-1611-03	2	Arm-Brake
5	1-323245	2	Spring-Compression	23	32120-47	2	Ring-Retaining, External
6	103-1864	2	Swivel-Lever, Drive	24	1-803051	2	Nut-Push
7	116-3515	2	Screw-HH, Special	25	1-323262	2	Band-Brake
8	1-323287-01	2	Shield-Wheel, Drive	26	1-322141-03	1	Axle
9	3256-23	4	Washer-Flat	27	1-543436	2	Washer-Spacer
10	1-323548	2	Linkage-Brake	28	1-323261	2	Drum-Brake
11	110-5866	2	Swivel-Brake	29	1-323349	2	Sheave-Wheel, Drive
12	1-513959	2	Wingnut-Nylock	31	32128-20	4	Nut-HF

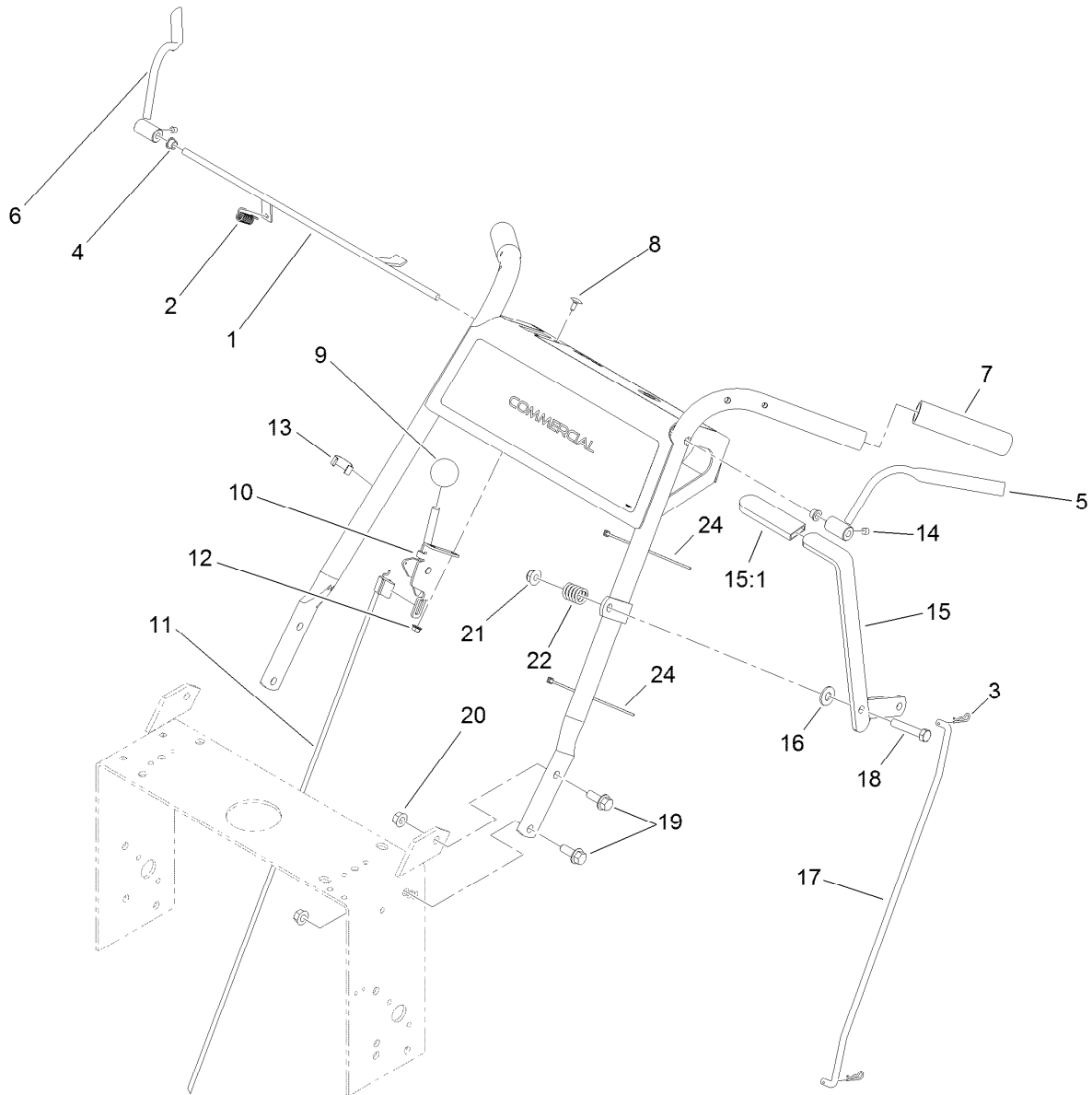
● Not serviced separately



## Drive Wheel and Brake Assembly (continued)

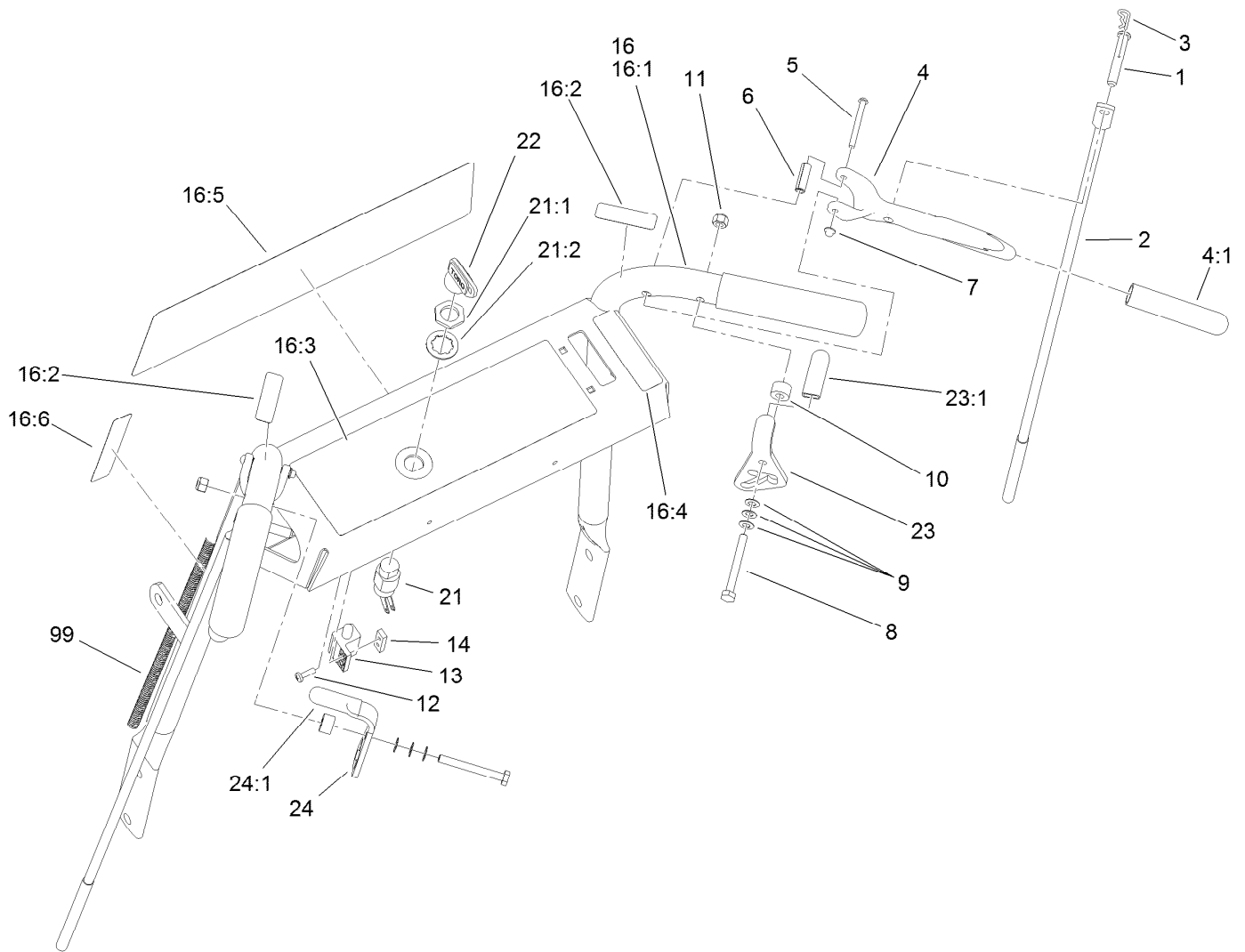
Ref.	Part Number	Qty.	Description	Ref.	Part Number	Qty.	Description
32	3296-39	4	Nut-Lock, NI	39	3296-29	4	Nut-Lock, NI
33	1-805005	8	Washer-Lock	40	2412-104	2	Clamp-R
34	1-808519	2	Ring-Snap	41	98-3259	1	Shield-Trailing
35	1-373034	8	Washer	42	322-3	2	Screw-HH
36	322-5	8	Screw-HH	43	98-5975	4	Washer-Belleville
37	1-523157	6	Washer-Spacer	44	323-6	4	Screw-HH
38	1-323744	2	Belt-Drive, Wheel				

● Not serviced separately



## Handle Control Assembly

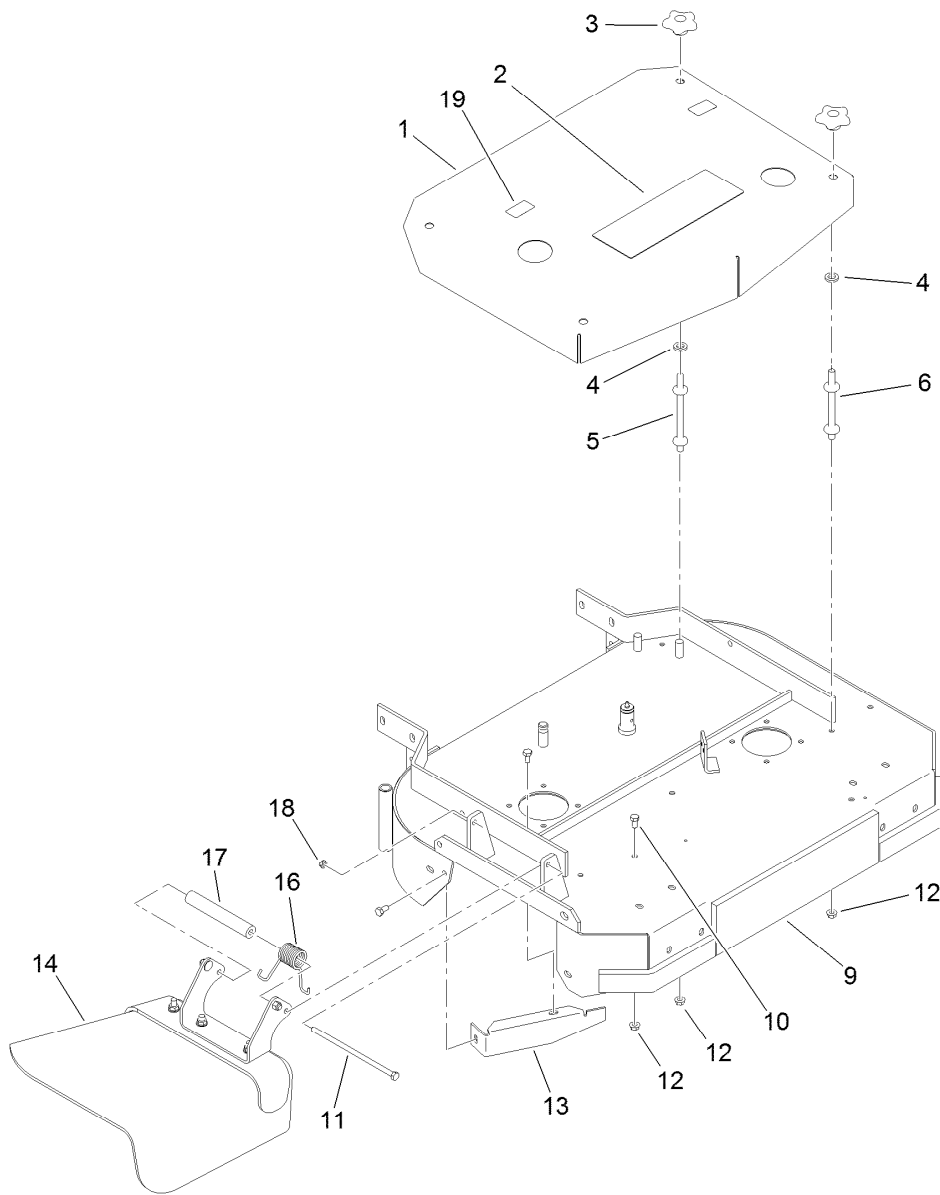
<i>Ref.</i>	<i>Part Number</i>	<i>Qty.</i>	<i>Description</i>	<i>Ref.</i>	<i>Part Number</i>	<i>Qty.</i>	<i>Description</i>
1	106-2717-03	1	Rod-CTRL, Operator Presence	12	32128-17	2	Nut-Lock, Flange
2	1-303363	1	Spring-Extension	13	1-303088	1	Clip-Cable
3	1-806003	2	Pin-Cotter, Hair	14	1-803322	2	Screw-Set
4	1-303365	2	Bushing-Nylon	15	116-6331	1	Lever ASM
5	106-5485	1	LH Operator Presence Control Lever ASM	15:1	1-303020	1	Grip-Lever
6	106-5486	1	RH Operator Presence Control Lever ASM	16	3256-4	1	Washer-Flat
7	104-9838	2	Grip-Foam	17	1-323298	1	Linkage-Blade, Upper
8	1-807513	2	Bolt-CARR	18	323-10	1	Screw-HH
9	1-603175	1	Knob-Ball	19	32128-21	4	Nut-HF
10	110-5547	1	Control Lever ASM	20	3234-11	4	Screw-HHF
11	119-1823	1	Cable-Control, Throttle	21	104-8301	1	Nut-Flange, NI
				22	1-303160	1	Spring-Compression
				24	1-303287	2	Tie-Cable



## Handle Assembly

Ref.	Part Number	Qty.	Description	Ref.	Part Number	Qty.	Description
1	1-808286	2	Pin-Clevis	16:1		1	Pistol Grip Handle ASM ●
2	1-323359	2	Linkage-Wheel, Drive	16:2	105-4111	2	Decal-Lock, Neutral
3	1-806003	2	Pin-Cotter, Hair	16:3	106-2737	1	Decal-Warning
4	1-302006	2	Drive Lever ASM	16:4	106-2733	1	Decal-Throttle
4:1	1-303021	1	Grip-Lever, Drive	16:5	110-6917	1	Decal
5	1-808250	2	Pin-Lever, Drive	16:6	95-5537	1	Decal-Engage, Deck
6	1-806340	2	Pin-Roll	21	29-5560	1	Switch-On / Off
7	1-803001	2	Nut	21:1	218-461	1	Nut-HH
8	321-18	2	Screw-HH	21:2	3254-5	1	Washer-Tooth, Internal
9	1-303435	6	Washer-Spring	22	63-8360	1	Key-Ignition (W/Shield)
10	1-323549	2	Spacer	23	1-324280	1	RH Thumb Latch ASM
11	3296-42	2	Nut-Lock, NI	23:1	1-303019	1	Grip-Latch
12	3290-500	2	Screw-PPH	24	1-324279	1	LH Thumb Latch ASM
13	1-513051	1	Switch-Open, Normally	24:1	1-303019	1	Grip-Latch
14	1-633181	1	Plate-Tapped	99	116-2661	1	Harness-Wire
16	119-3638	1	Handle ASM				

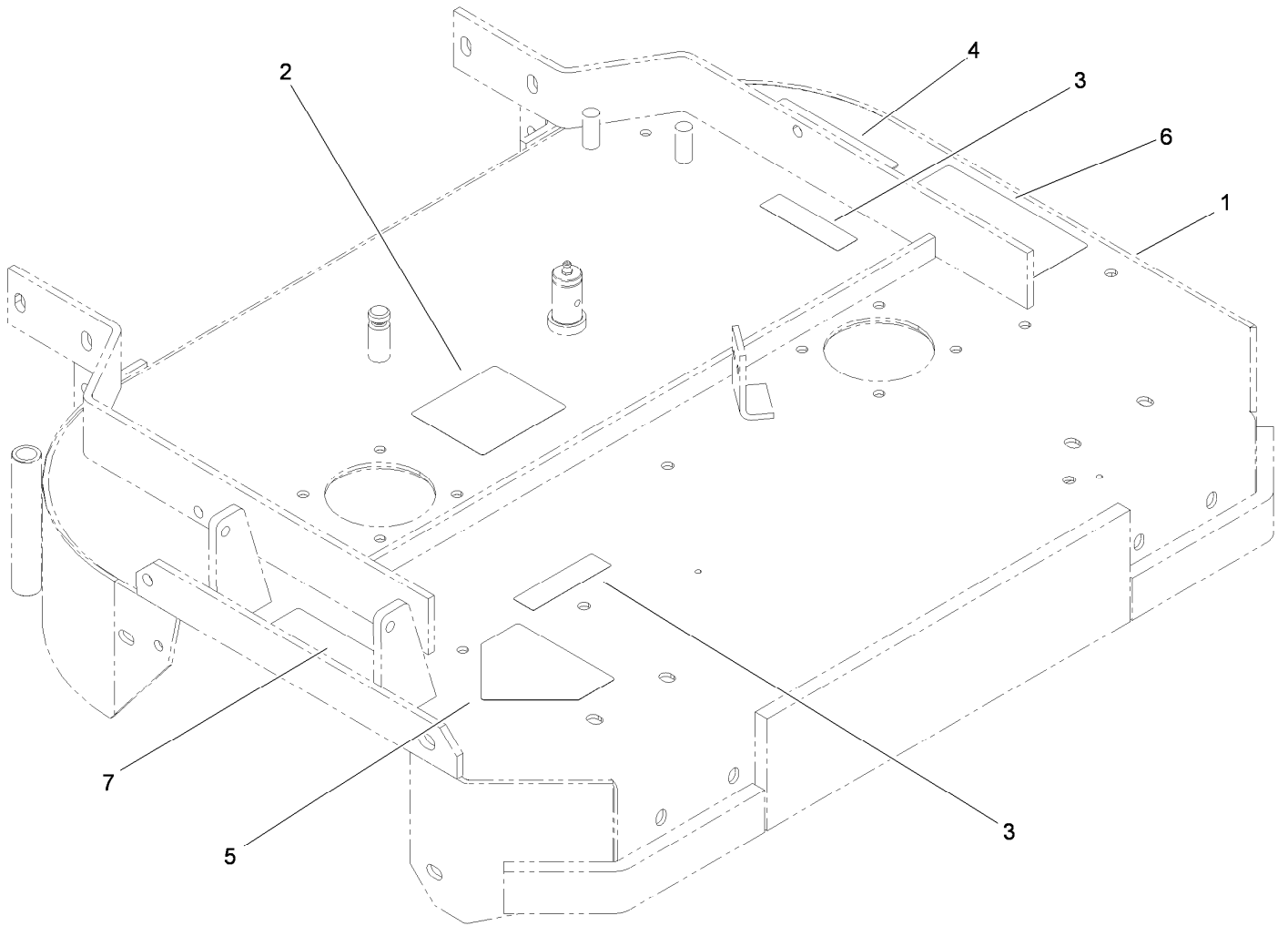
● Not serviced separately



## Deck and Shield Assembly

<i>Ref.</i>	<i>Part Number</i>	<i>Qty.</i>	<i>Description</i>
1	1-322149-01	1	Shield ASM
2	106-0710	1	Decal
3	106-4161	4	Knob-Handle
4	1-323417	4	Washer
5	1-303536	2	Stud-Shield, Belt (Long)
6	1-303537	2	Stud-Shield, Belt (Short)
9	110-6901	1	32 Inch Deck ASM
10	322-2	7	Screw-HH

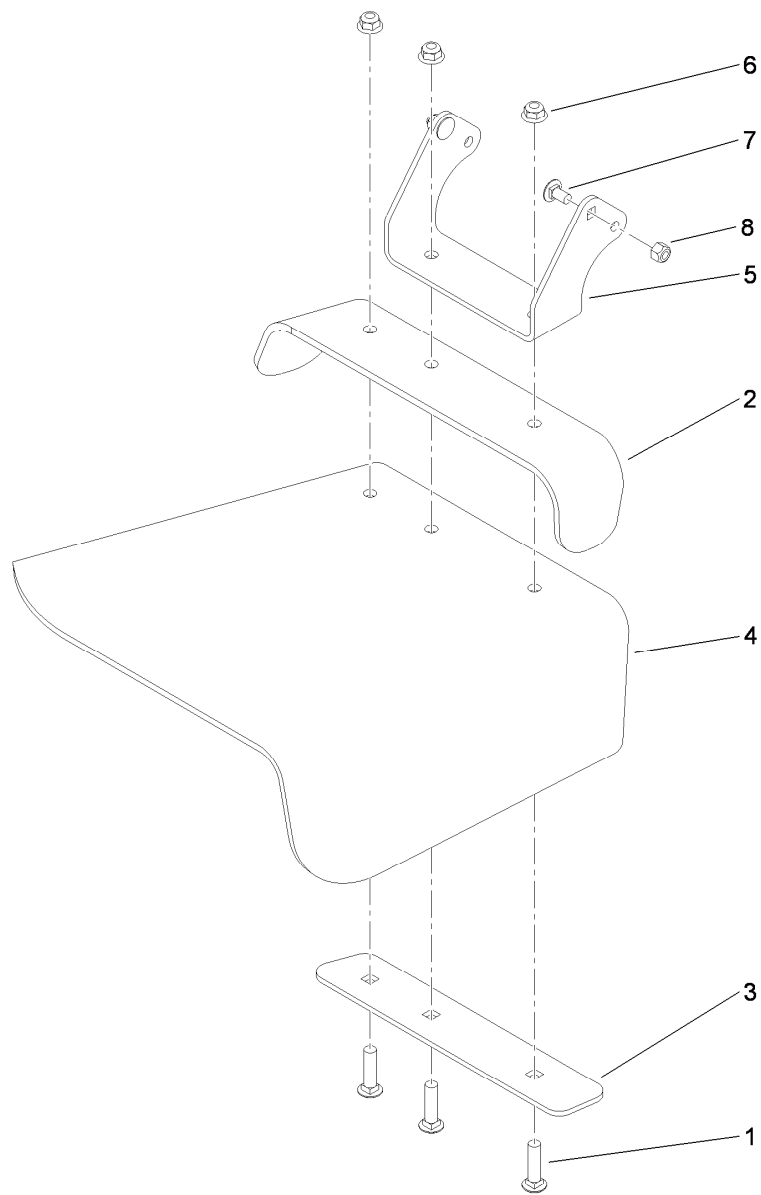
<i>Ref.</i>	<i>Part Number</i>	<i>Qty.</i>	<i>Description</i>
11	322-50	1	Screw-HH
12	32128-20	11	Nut-HF
13	116-1730-01	1	Baffle-Dogleg
14	119-6529	1	Deflector ASM
16	108-4052	1	Spring-Torsion
17	105-4622	1	Spacer
18	3296-47	1	Nut-Lock, NI
19	103-2076	2	Decal-Caution



## Deck Decal Assembly No. 110-6901

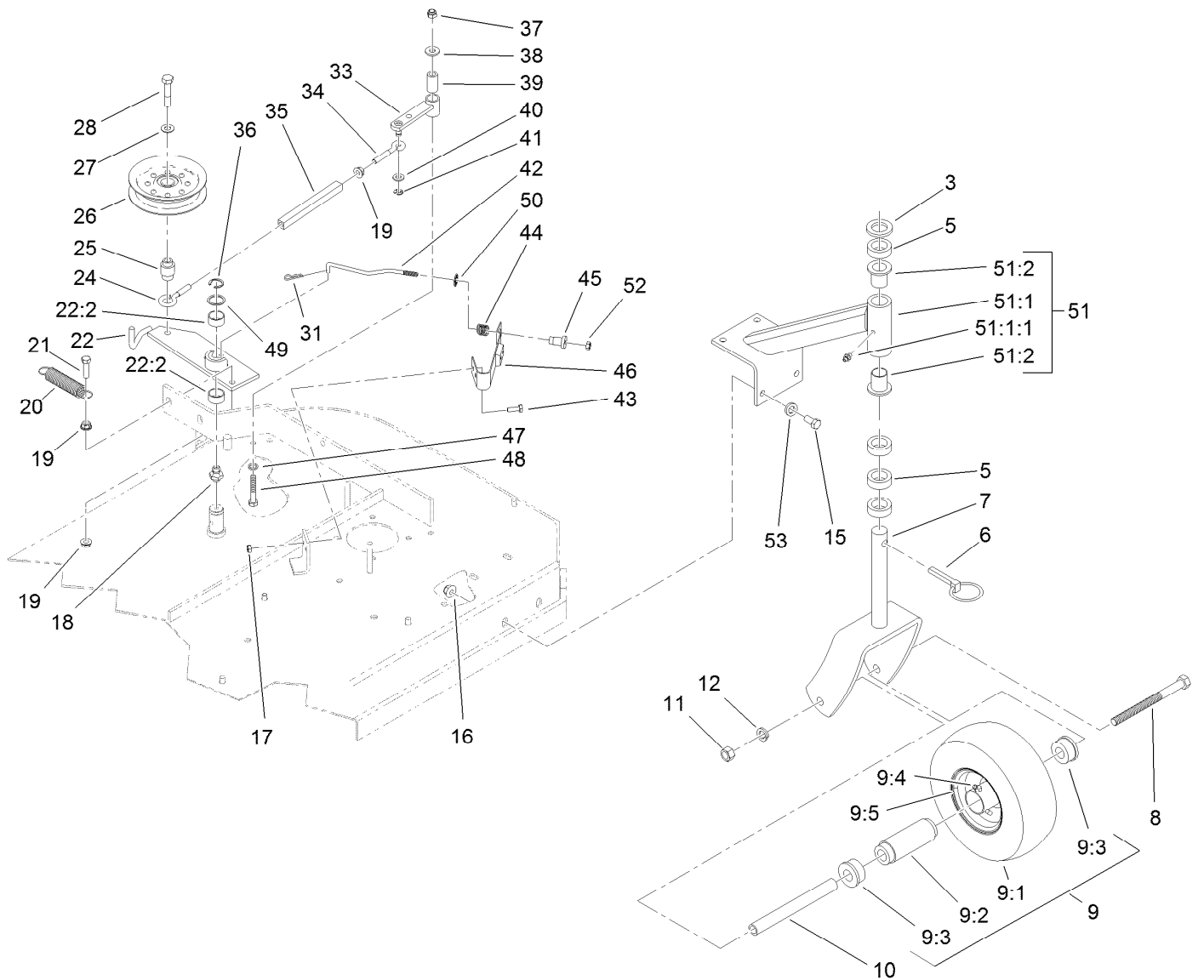
<i>Ref.</i>	<i>Part Number</i>	<i>Qty.</i>	<i>Description</i>
1		1	Deck ●
2	98-3296	1	Decal-Routing, Belt
3	98-5954	2	Decal-Cover, Missing
4	98-5130	1	Decal-Torque, Bolt
5	1-403005	1	Decal-Danger
6	66-1340	1	Decal-Danger, Thrown Object
7	104-8569	1	Decal-Warning

● Not serviced separately



## Deflector Assembly No. 119-6529

<i>Ref.</i>	<i>Part Number</i>	<i>Qty.</i>	<i>Description</i>
1	3231-4	3	Screw-CARR
2	107-4138-01	1	Strap-Deflector, Top
3	107-4139-01	1	Strap-Discharge
4	107-4137	1	Deflector-Rubber
5	119-6532-01	1	Bracket-Mounting, Deflector
6	104-8301	3	Nut-Flange, NI
7	3230-18	2	Screw-CARR
8	3296-29	2	Nut-Lock, NI

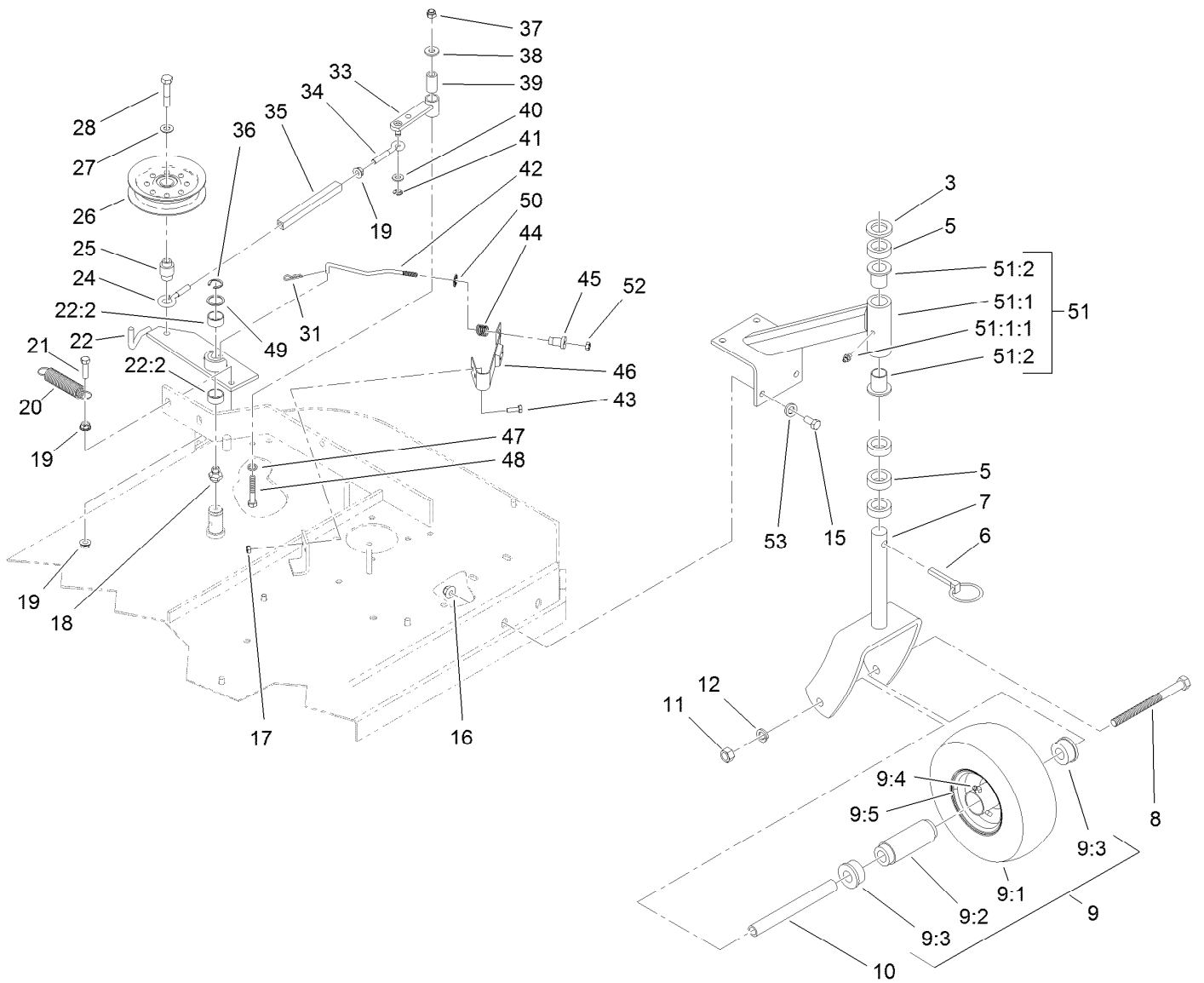


## Idler Arm and Caster Wheel Assembly

Ref.	Part Number	Qty.	Description	Ref.	Part Number	Qty.	Description
3	1-513338	2	Washer-Flat	19	32128-20	3	Nut-HF
5	1-303314	8	Spacer-Caster	20	1-323071	1	Spring-Extension
6	1-809020	2	Pin	21	116-3515	1	Screw-HH, Special
7	1-322145-01	2	Fork	22	103-3600	1	Idler Arm ASM
8	325-20	2	Screw-HH	22:2	1-323729	2	Sleeve-Bearing
9	110-5023	2	Wheel And Tire ASM	24	1-303348	1	Eyebolt-Thread, LH
9:1		1	Tire ●	25	1-303434	1	Bushing-Engagement
9:2	1-513809	1	Bearing	26	116-3626	1	Pulley-Idler
9:3	1-513810	2	Bushing	27	98-5975	1	Washer-Belleville
9:4	302-61	1	Fitting-Grease	28	702809	1	Screw-HH
9:5		1	Wheel ●	31	1-806003	1	Pin-Cotter, Hair
10	1-513547	2	Spacer	33	1-322235	1	Arm-Assist
11	3217-9	2	Nut-HH	34	1-303238	1	Eyebolt-Thread, RH
12	3253-7	2	Washer-Lock	35	1-303236	1	Body-Turnbuckle
15	323-6	8	Screw-HH	36	32151-103	1	Ring-Retaining, EXT
16	104-8301	8	Nut-Flange, NI	37	3296-29	1	Nut-Lock, NI
17	3296-42	2	Nut-Lock, NI	38	3256-3	1	Washer-Flat
18	302-40	1	Fitting-Grease	39	1-403179	1	Tube-Pivot

● Not serviced separately

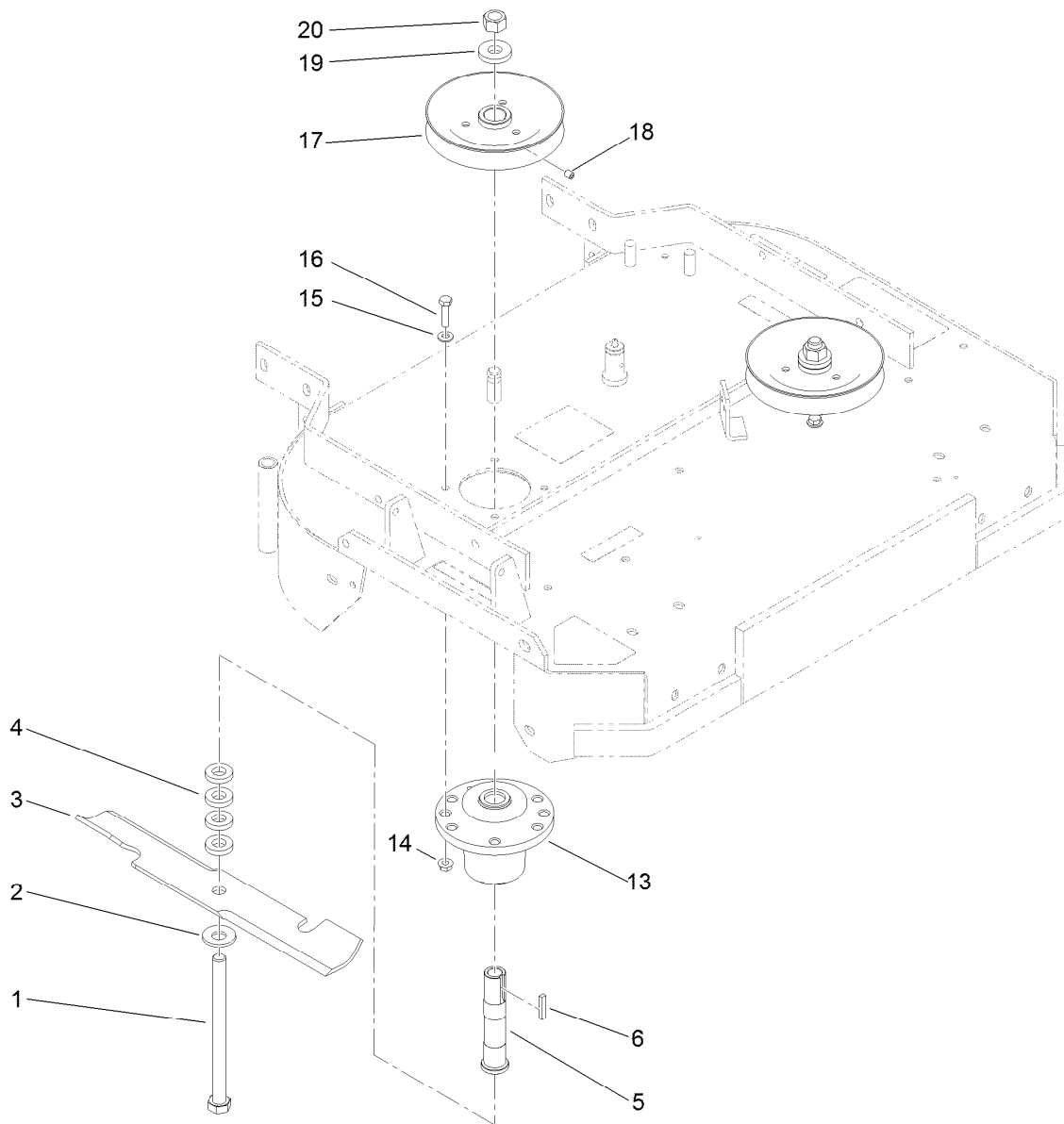




## Idler Arm and Caster Wheel Assembly (continued)

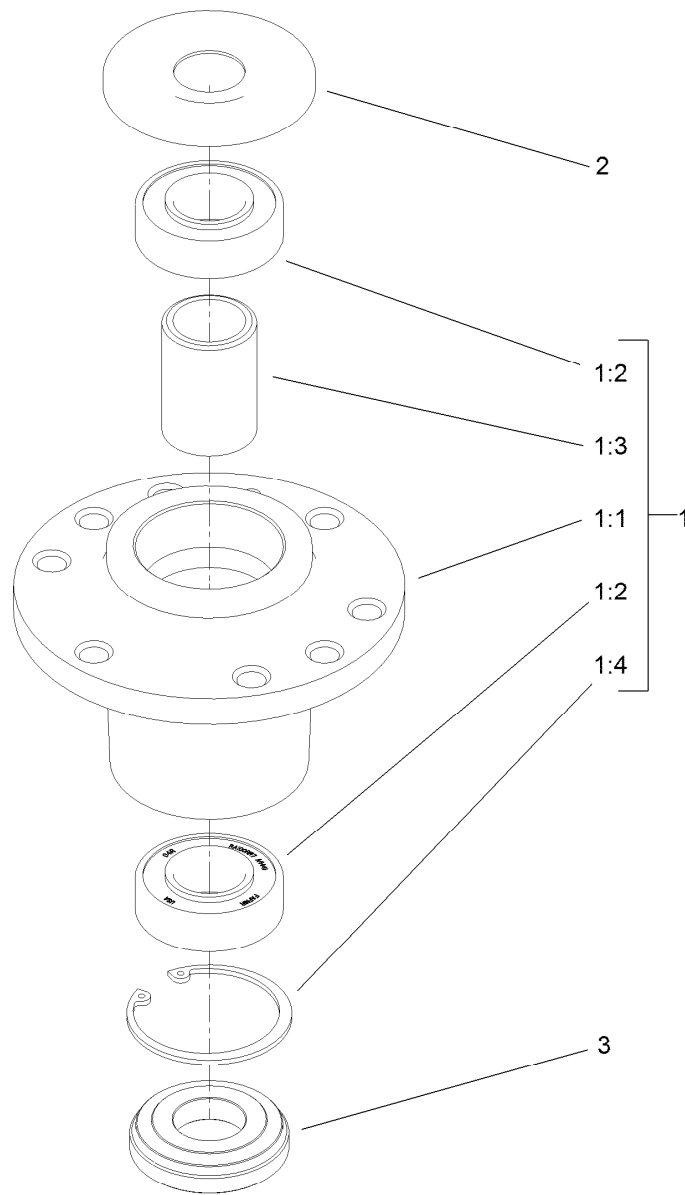
Ref.	Part Number	Qty.	Description	Ref.	Part Number	Qty.	Description
40	3256-23	1	Washer-Flat	49	1-303352	1	Washer-Spindle
41	32120-35	1	Ring-Retaining, EXT	50	1-323748	1	Ring-Push On
42	1-323718	1	Rod-Brake	51	1-302203	2	Support ASM
43	321-4	2	Screw-HH	51:1		1	Support-Caster ●
44	1-323747	1	Spring-Compression	51:1:1	302-52	1	Fitting-Grease
45	1-323746	1	Spacer-Flanged	51:2	1-303514	2	Bearing-Flanged
46	1-324372	1	Pad And Spring ASM	52	3296-56	1	Nut-Lock, NI
47	1-303334	1	Washer-Spring	53	3256-24	8	Washer-Flat
48	322-10	1	Screw-HH				

● Not serviced separately



## Spindle and Blade Assembly

<i>Ref.</i>	<i>Part Number</i>	<i>Qty.</i>	<i>Description</i>
1	1-800861	2	Screw-Cap, HH
2	1-513208	2	Washer-Spring
3	103-2527	2	Blade-Notched
4	1-323539	8	Spacer
5	1-323529	2	Tube-Spindle, Short
6	1-807267	2	Key
13	107-4065	2	Cutter Housing ASM
14	32128-20	8	Nut-HF
15	1-303334	8	Washer-Spring
16	322-6	8	Screw-HH
17	1-403183	2	Sheave
18	3246-18	2	Setscrew
19	1-323339	2	Washer-Retainer, Sheave
20	3219-6	2	Nut-Hex



## Cutter Housing Assembly No. 107-4065

<i>Ref.</i>	<i>Part Number</i>	<i>Qty.</i>	<i>Description</i>
1		1	Cutter Housing ASM ●
1:1	103-7975	1	Housing-Spindle
1:2	103-2477	2	Bearing-Jackshaft
1:3	103-2534	1	Spacer-Bearing
1:4	32120-8	1	Ring-Snap
2	103-1330	1	Guard-Bearing, Top
3	103-2535	1	Spacer-Guard, Bottom

● Not serviced separately

# Attachments and Accessories

## For 30632 Commercial Walk-Behind Mower Fixed Deck, Pistol Grip, Gear Drive with 32in Cutting Unit

<b>Product Name</b>	<b>Model/Part</b>
32in and 48in Fixed Deck Low Lift Blades.....	103-2507
Blade-Notched.....	103-2527
Atomic Blade and Decal Assembly .....	104-8595
Weight Kit .....	107-4100
Blade-16.25 inch (6 Pack).....	108-1119
Blade-Atomic, 16.25in (6 Pack) .....	110-0407
32in Recycler Kit.....	110-4915
Soft Bag (3 Bushel).....	30198

**Notes:**

**Notes:**

**Notes:**



**Count on it.**