



**Count on it.**

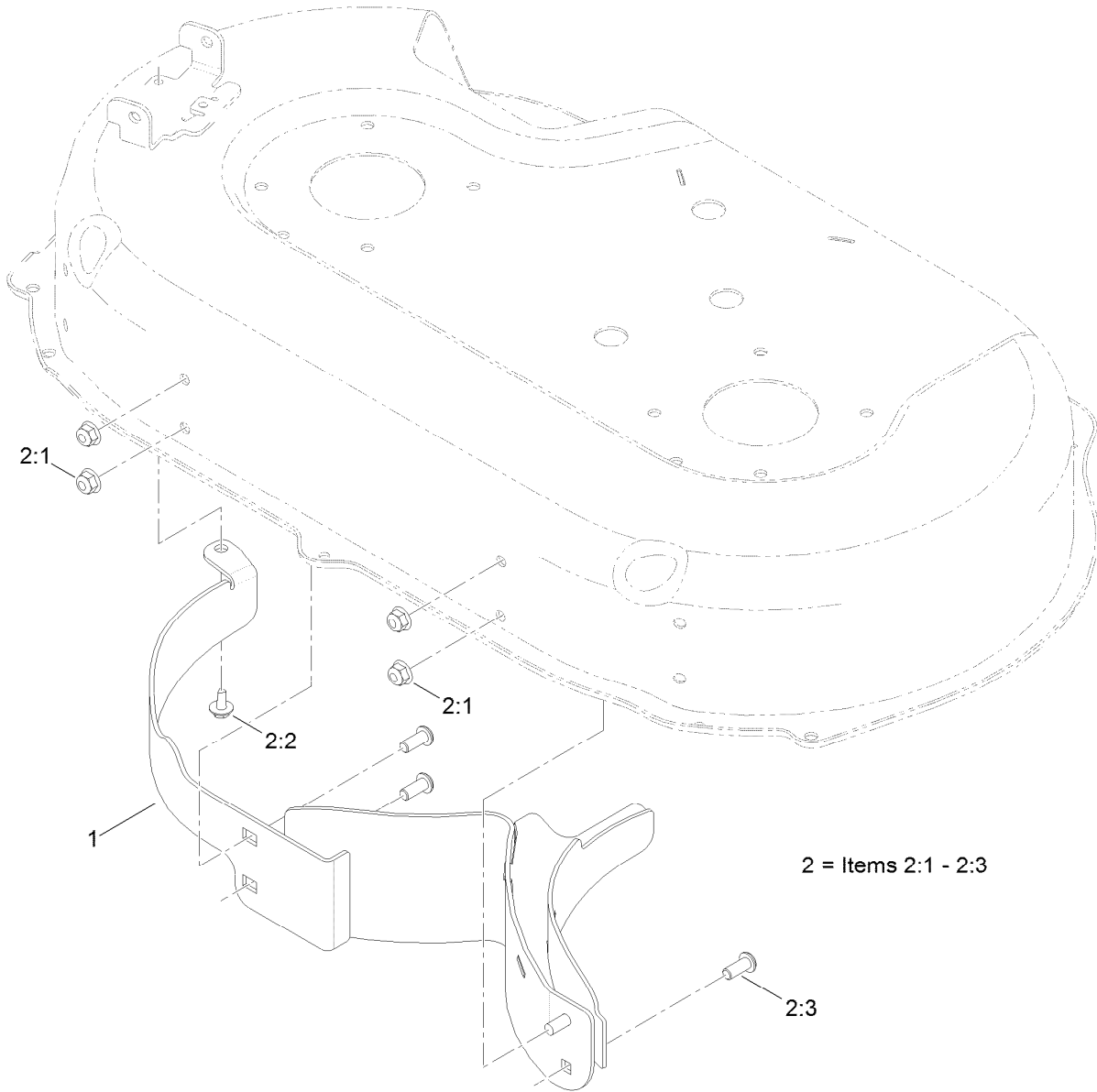
**Parts Catalog**

**Mulching Kit**

**30in TurfMaster Walk-Behind Lawn Mower**

**Model No. 125-5064**





## 30 Inch Mulching Kit Assembly No. 125-5064

<i>Ref.</i>	<i>Part Number</i>	<i>Qty.</i>	<i>Description</i>
1	116-7301-01	1	Baffle-Mulch
2	125-5065	1	Bag-Hardware
2:1	104-8300	4	Nut-Flange, NI
2:2	46-8560	1	Screw-HHFTF
2:3	3274-55	3	Screw-HSBH