



**Count on it.**

**Parts Catalog**

**Workman® MD Utility Vehicle**

Model No. 07266TC—Serial No. 313000001 and Up



# Ordering Replacement Parts

To order replacement parts, please supply the part number, the quantity, and the description of each part desired.

## Understanding Reference Numbers

Each identified part in an illustration has a reference number. The reference number for a part also appears in the parts list, along with other information about the part.

This catalog uses two special reference number formats, one to indicate parts in a service assembly and another to indicate the quantity of a given part in an illustration.

## Service Assembly Reference Numbers

Parts in service assemblies have reference numbers in the form a:b. The a represents the reference number of the entire service assembly and the b represents a sequential number unique to each part within the service assembly.

For example, a wheel assembly might be identified by reference number 6, the tire by 6:1, the valve by 6:2, and the wheel by 6:3. When you order the assembly identified by reference number 6, you receive all parts identified by reference numbers 6:1, 6:2, and 6:3. However, you may also order any part individually. Reference numbers of this type appear in illustration and in parts lists.

## Reference Numbers Indicating Quantity

In an illustration, if a reference number indicates more than one part, the reference number has the form nX y. The n represents the quantity of the part, the X is the multiplication symbol, and the y represents the reference number.

For example, in an illustration, the reference number 2X 37 means that two of the parts identified by reference number 37 are indicated.

# List of Abbreviations

**AR:** as required

**ASM:** assembly

**BBC:** blade brake control

**BHTF:** button head thread forming

**CARR:** carriage

**CCW:** counter clockwise

**CW:** clockwise

**DEG:** degrees

**DPA:** Dual Point Adjustment

**ECM:** electronic control module

**EXT:** external

**FH:** flat head

**GA:** gauge

**HD:** heavy-duty

**HF:** hex flange

**HH:** hex head

**HHF:** hex head flange

**HHFTF:** hex head flange thread forming

**HJ:** hex jam

**HLH:** hex lag head

**HOC:** height-of-cut

**HSBH:** hex socket button head

**HSFH:** hex socket flat head

**HSH:** hex socket head

**HWH:** hex washer head

**HWHTF:** hex washer head thread forming

**HYD:** hydraulic

**LH:** left hand

**LP:** Liquefied Petroleum Gas

**LPG:** Liquefied Petroleum Gas

**NI:** nylon insert

**NPTF:** national pipe thread fine

**PFH:** phillips flat head

**PPH:** phillips pan head

**PPHTF:** phillips pan head thread forming

**PRH:** phillips round head

**PTH:** phillips truss head

**PTO:** power-take-off

**RH:** right hand

**ROPS:** roll-over protection system

**RRB:** rear roller brush

**SFH:** slotted fillister head

**SHH:** slotted hex head

**SHWH:** slotted hex washer head

**SPH:** slotted pan head

**SQH:** square head

**SRH:** slotted round head

**STD:** standard

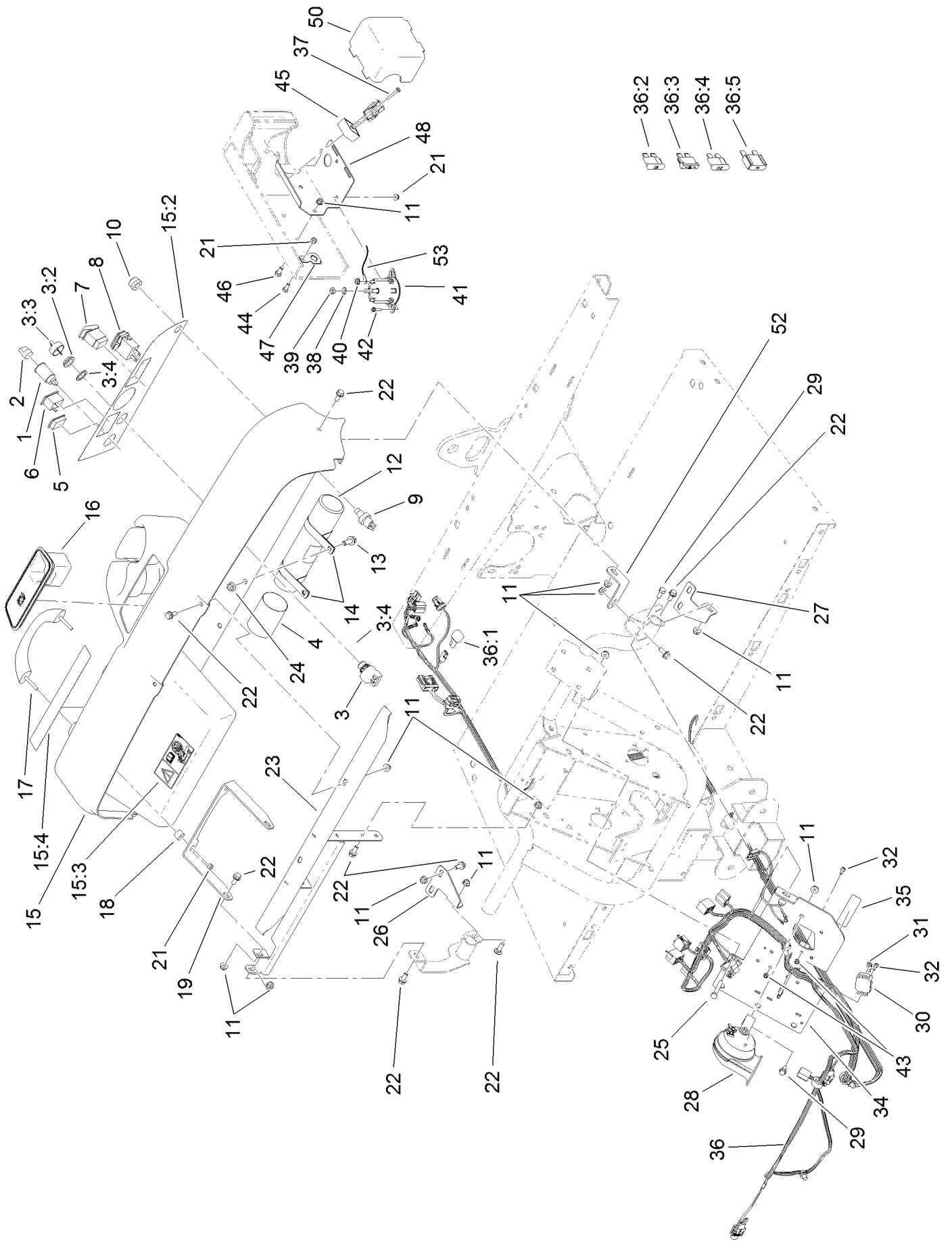
**TAP:** self tapping

**TTH:** torx truss head

# Contents

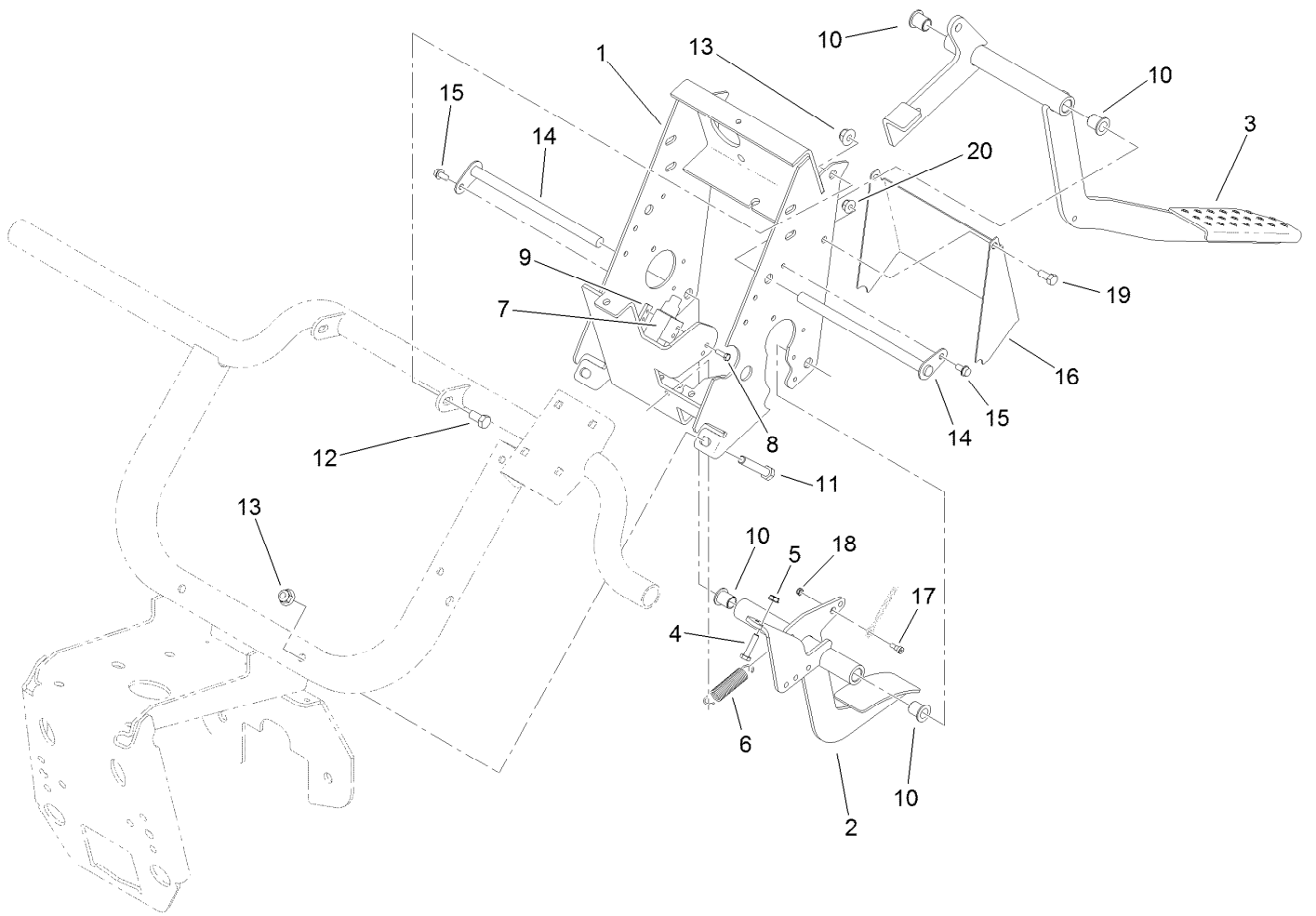
Dash Assembly . . . . .	4
Pedal Box Assembly . . . . .	6
Shifter Assembly . . . . .	7
Front Frame Assembly . . . . .	8
Seat Base Assembly . . . . .	9
Front Tire, Spindle and Tie Rod Assembly . . . . .	10
Brake Caliper Assembly No. 119-9535 . . . . .	12
Rear Tire and Transaxle Assembly . . . . .	13
Transaxle Assembly No. 115-2300 . . . . .	14
Secondary Clutch Assembly No. 119-6011 . . . . .	16
LH Rear Brake Assembly No. 114-8332 . . . . .	17
RH Rear Brake Assembly No. 114-8331 . . . . .	18
Upper Steering Assembly . . . . .	19
Steering Box Assembly No. 112-3130 . . . . .	20
Cargo Bed Installation Assembly . . . . .	21
Cargo Bed Service Assembly No. 119-9710 . . . . .	22
Hood and Fender Assembly . . . . .	23
Frame Assembly . . . . .	24
Engine and Clutch Assembly . . . . .	25
Primary Clutch Assembly No. 120-4823 . . . . .	27
Starter Generator Assembly No. 119-9545 . . . . .	28
Air Cleaner Assembly No. 99-7120 . . . . .	29
Master Cylinder and Brake Line Assembly . . . . .	30
Master Cylinder Assembly No. 104-6782 . . . . .	31
Cylinder Head Assembly . . . . .	32
Crankshaft and Piston Assembly . . . . .	33
Camshaft and Valve Assembly . . . . .	34
Starter Air Shroud Assembly . . . . .	35
Intake Assembly . . . . .	36
Carburetor Assembly . . . . .	37
Crankcase Assembly . . . . .	38
Fuel Pump Assembly . . . . .	39
Magneto Assembly . . . . .	40
Engine Gaskets and Fittings . . . . .	41
Attachments and Accessories . . . . .	42

# Dash Assembly



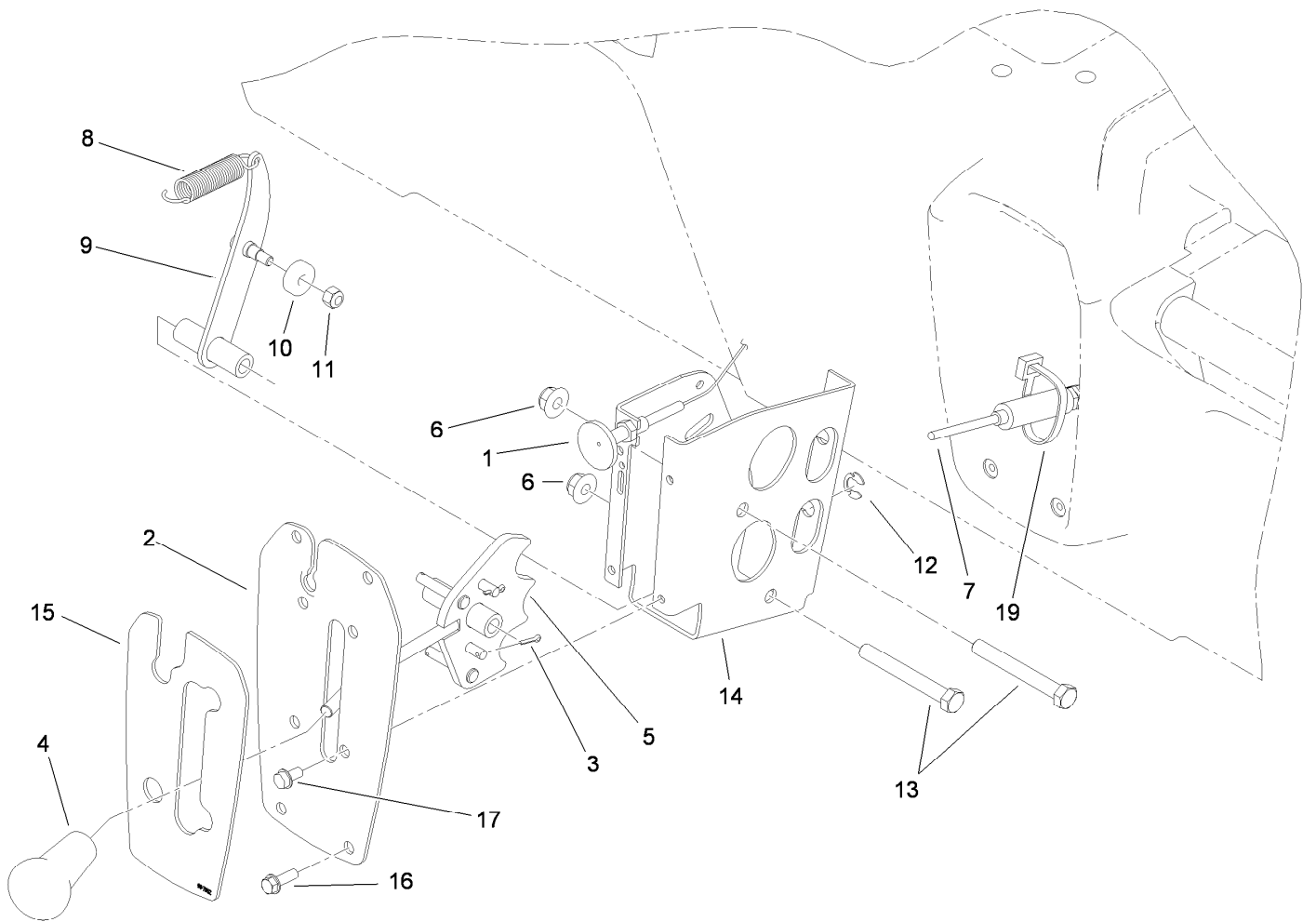
## Dash Assembly (continued)

<i>Ref.</i>	<i>Part Number</i>	<i>Qty.</i>	<i>Description</i>	<i>Ref.</i>	<i>Part Number</i>	<i>Qty.</i>	<i>Description</i>
1	99-7411	1	Point-Power	26	114-8304	1	Bracket-Dash Mount, RH
2	99-7416	1	Cap	27	114-8312	1	Bracket-Dash Mount, LH
3	120-3956	1	Ignition Switch ASM	28	110-2594	1	Horn ASM
3:2	108-8660	1	Nut-Mounting	29	110-5053	1	Screw-HHF
3:3	106-5270	1	Ignition Key Set	30	42862	1	Block-Terminal, Ground
3:4	108-8659	1	Washer-Backup	31	42863	1	Strip-Jumper
4	104-7048	1	Cap-Housing	32	32105-13	4	Screw-HWH
5	99-7420	1	Plug-Hole	34	112-3376-03	1	Plate-Mount, Electrical
6	99-7410	1	Indicator-Light, Low-Oil Pressure	35	112-3325	1	Decal-Block, Fuse
7	95-8999	1	Switch	36	119-5774	1	Harness-Wire
8	94-4208	1	Hourmeter	36:1	100-4918	1	Diode
9	112-3324	1	Switch-Horn	36:2	218-578	1	Fuse-Blade, 10 Amp
10	112-3313	1	Cap And Nut ASM	36:3	109355	1	Fuse-Blade, 15 Amp
11	104-8300	21	Nut-Flange, NI	36:4	109101	1	Fuse-Blade, 20 Amp
12	104-7050	1	Tube-Manual	36:5	114-3342	1	Fuse-Maxi, 60 Amp
13	3234-11	2	Screw-HHF	37	100-4352	1	Screw-HWH
14	2412-133	2	R-Clamp	38	3255-8	2	Washer-Lock
15	114-8310	1	Dash ASM	39	3220-2	2	Nut-Jam
15:2	117-5001	1	Decal-Panel, Control	40	32149-8	2	Nut-Keps
15:3	104-6581	1	Decal-Danger	41	114-3315	1	Solenoid-12 Vdc
15:4	115-2412	1	Decal-No Storage	42	3234-33	2	Screw-HHF
16	104-6930	1	Plug-Rubber	43	3296-2	4	Nut-Lock, NI
17	112-3320	1	Handle-Grip	44	321-3	1	Screw-HH
18	114-8301	2	Spacer	45	119-9492	1	Regulator-Voltage
19	112-3391-03	1	Bracket-Grip, Handle	46	322-2	2	Screw-HH
21	104-7201	5	Nut-HF	47	114-5502	1	Clip-Fuse
22	110-5053	16	Screw-HHF	48	119-0752-03	1	Mount-Component
23	115-7651-03	1	Support-Dash	50	112-3027	1	Cover-Controller
24	104-8301	2	Nut-Flange, NI	52	114-8305	1	Angle-Mount, Dash (LH)
25	322-11	2	Screw-HH	53	112-3537	1	Cable-Battery, Positive



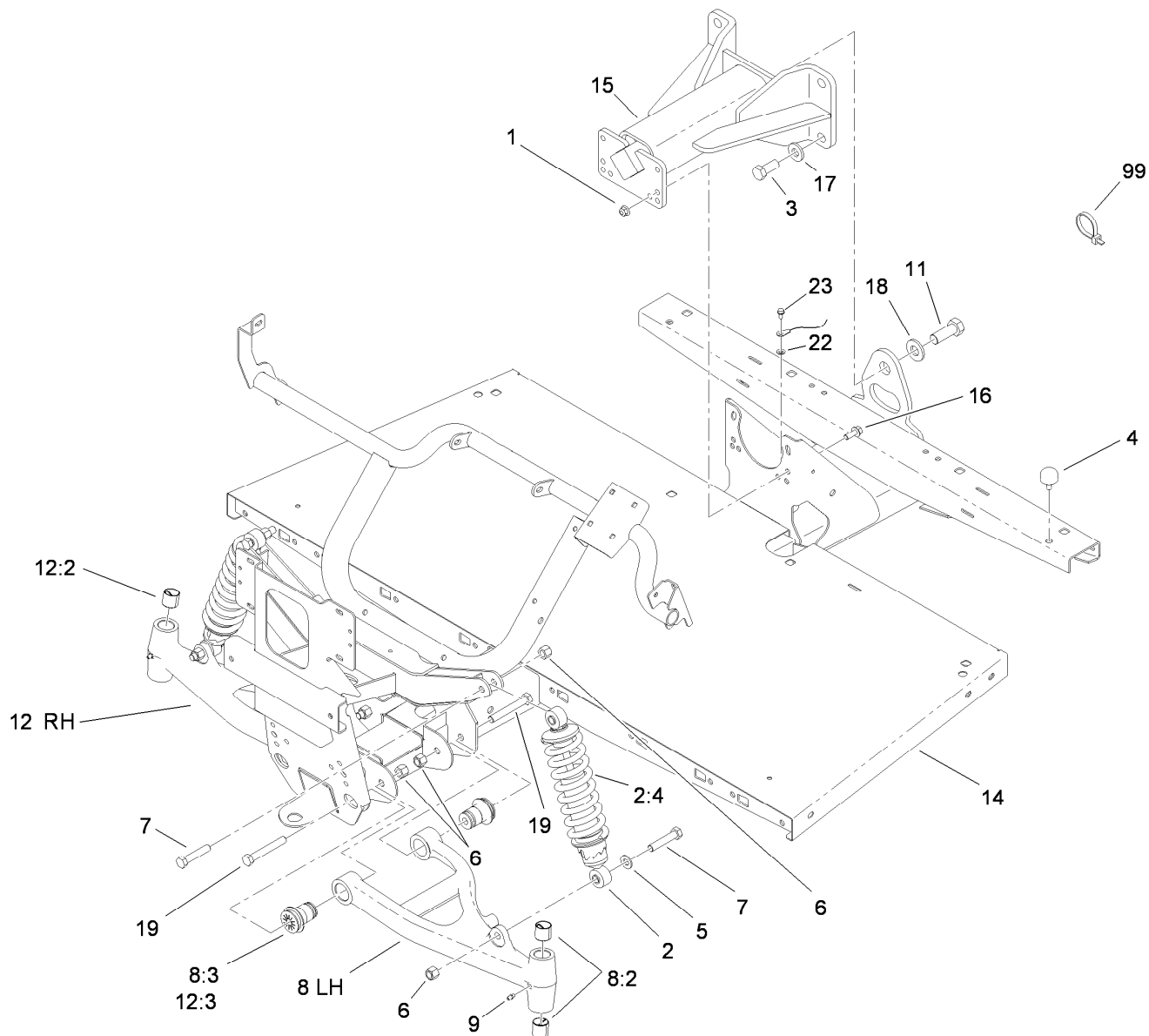
## Pedal Box Assembly

<i>Ref.</i>	<i>Part Number</i>	<i>Qty.</i>	<i>Description</i>	<i>Ref.</i>	<i>Part Number</i>	<i>Qty.</i>	<i>Description</i>
1	119-0748-03	1	Support-Pedal	11	323-11	2	Screw-HH
2	119-9747-03	1	Pedal-Throttle	12	323-4	2	Screw-HH
3	112-3314-03	1	Pedal-Brake	13	104-8301	4	Nut-Flange, NI
4	321-7	2	Screw-HH	14	104-7164	2	Pivot-Pedal
5	32149-2	2	Nut-Keps	15	32144-4	2	Screw-HWH
6	104-6415	1	Spring-Return, Pedal	16	115-7619-03	1	Cover
7	99-7407	1	Switch	17	115-7632	1	Bolt-Shoulder
8	3290-134	2	Screw	18	3296-47	1	Nut-Lock, NI
9	1-633181	1	Plate-Tapped	19	322-3	2	Screw-HH
10	256-155	4	Bushing-Flange	20	104-8300	2	Nut-Flange, NI



## Shifter Assembly

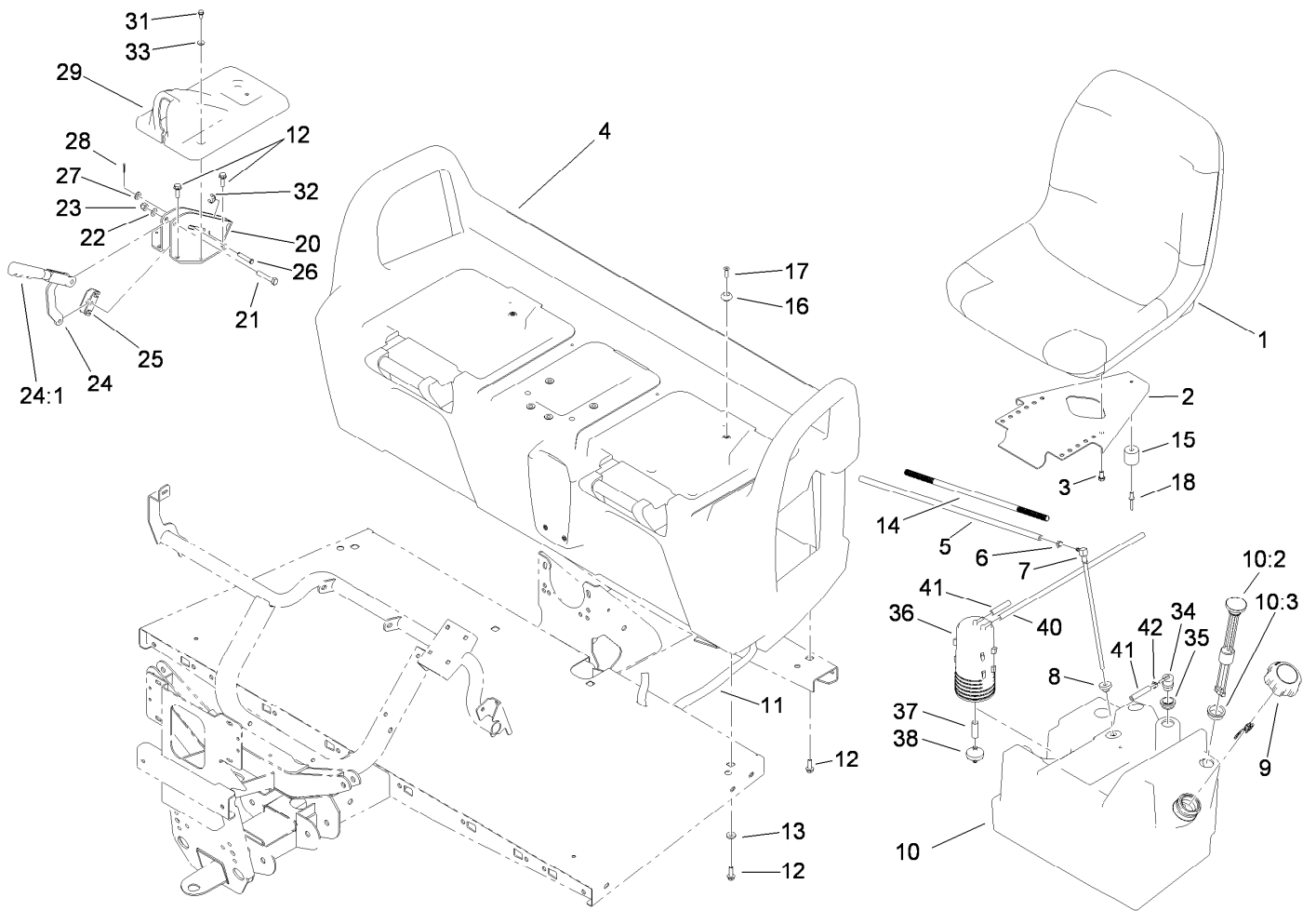
<i>Ref.</i>	<i>Part Number</i>	<i>Qty.</i>	<i>Description</i>	<i>Ref.</i>	<i>Part Number</i>	<i>Qty.</i>	<i>Description</i>
1	104-6507	1	Cable-Choke	10	251-307	1	Bearing-Ball
2	99-7887-03	1	Plate-Shifter	11	3296-42	1	Nut-Lock, NI
3	3272-5	2	Pin-Cotter	12	32151-101	2	E-Ring
4	99-7981	1	Knob-Grip, Soft	13	323-14	2	Screw-HH
5	114-2719	1	Plate-Detent	14	108-3141-03	1	Bracket-Shift
6	104-8301	2	Nut-Flange, NI	15	99-7952	1	Decal-Shifter
7	115-7679	2	Tension Cable Control ASM	16	32105-15	4	Screw
8	104-6415	1	Spring-Return, Pedal	17	32144-4	4	Screw-HWH
9	108-3138	1	Arm-Detent	19	3290-378	1	Tie-Cable



## Front Frame Assembly

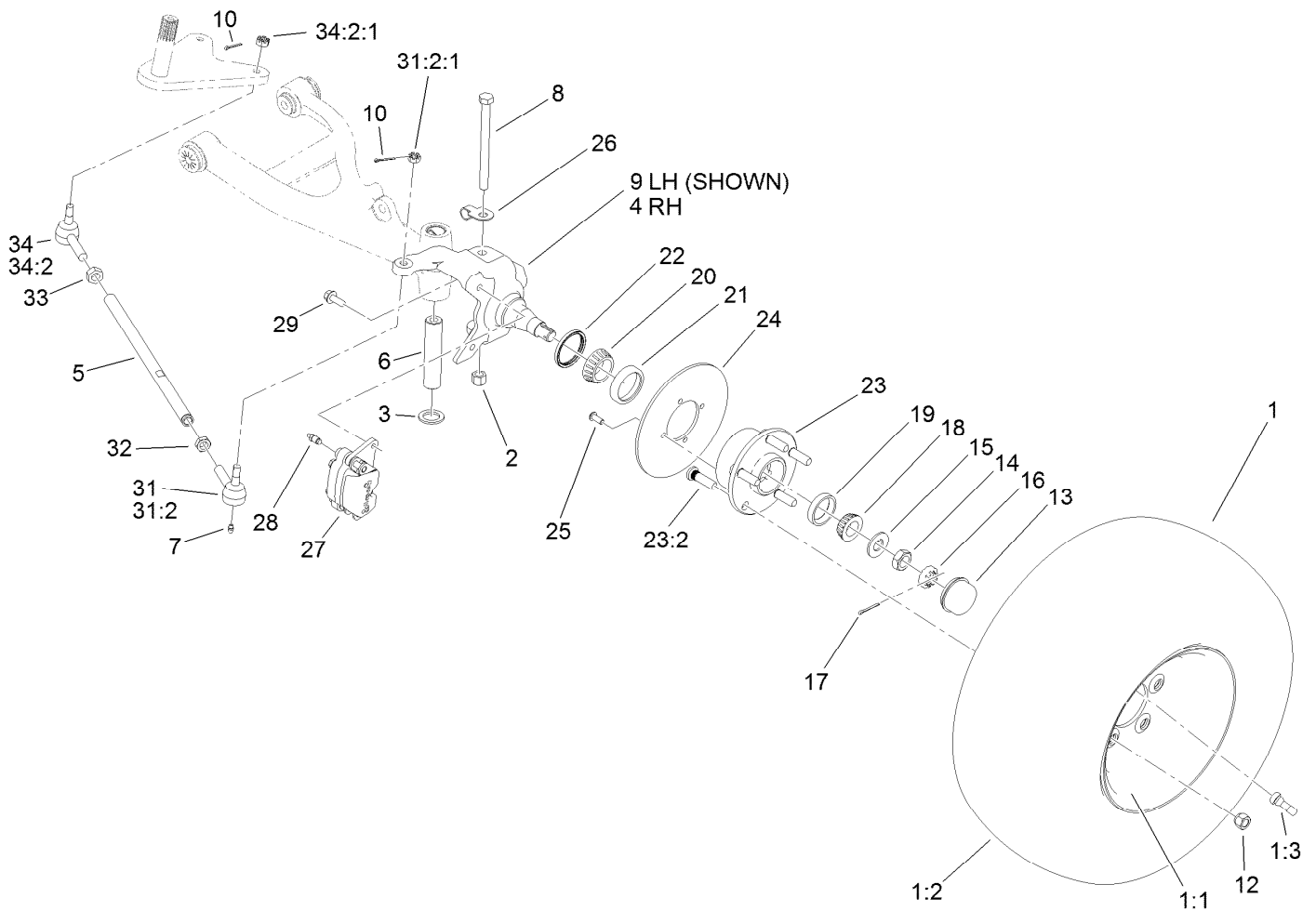
<i>Ref.</i>	<i>Part Number</i>	<i>Qty.</i>	<i>Description</i>	<i>Ref.</i>	<i>Part Number</i>	<i>Qty.</i>	<i>Description</i>
1	104-8301	4	Nut-Flange, NI	12	114-8314	1	RH A-Arm ASM
2	112-2975	2	Shock/Spring ASM	12:2	3-0348	2	Bushing
2:4	112-3383	1	Spring	12:3	87-1450	2	Bushing-Flange
3	327-4	4	Screw-HH	14	112-3340-03	1	Frame-Front
4	87-2440	1	Bumper-Rubber	15	99-7700	1	Pivot Yoke ASM
5	51-3500	2	Washer	16	3234-11	4	Screw-HHF
6	3296-23	8	Nut-Lock, NI	17	99-7667	4	Washer-Flat
7	325-10	4	Screw-HH	18	87-3060	1	Washer-Hardened
8	114-8313	1	LH A-Arm ASM	19	325-14	4	Screw-HH
8:2	3-0348	2	Bushing	22	3254-16	1	Washer-Lock/Int
8:3	87-1450	2	Bushing-Flange	23	32144-4	1	Screw-HWH
9	302-5	2	Fitting-Grease	99	3290-379	12	Tie-Cable
11	328-24	1	Screw-HH				





## Seat Base Assembly

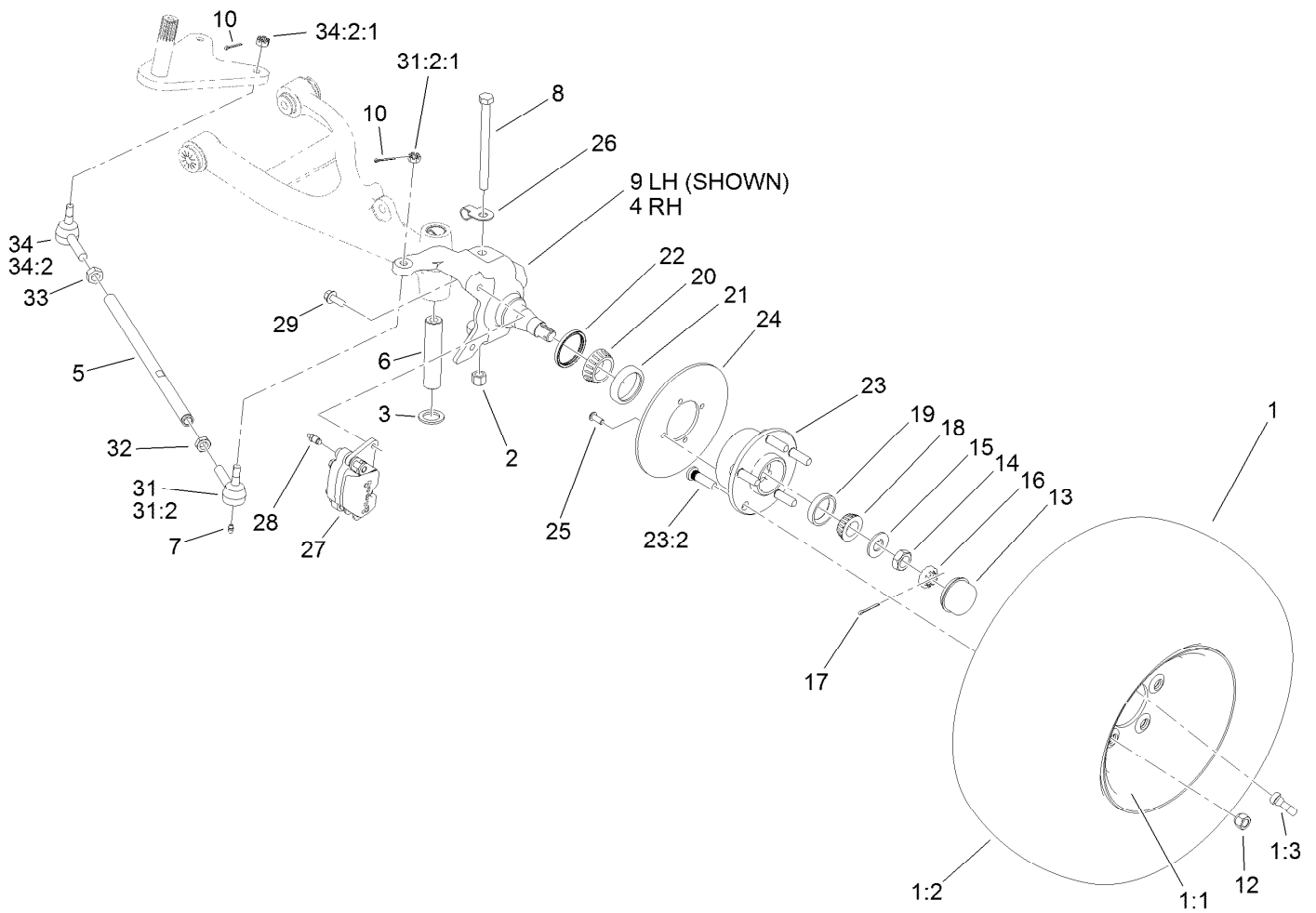
<i>Ref.</i>	<i>Part Number</i>	<i>Qty.</i>	<i>Description</i>	<i>Ref.</i>	<i>Part Number</i>	<i>Qty.</i>	<i>Description</i>
1	112-2923	2	Seat ASM	21	323-10	1	Screw-HH
2	99-7829	2	Bracket-Seat	22	3290-477	1	Washer-Curved
3	33114-016	8	Screw-HH	23	3296-39	1	Nut-Lock, NI
4	104-6847	1	Seat Base ASM	24	104-6842	1	Lever-Brake, Park
5	110-4103	1	Hose-Fuel	24:1	106-7972	1	Grip-Handle
6	2412-98	1	Clamp-Hose	25	87-3480	1	Bracket-Equalizer, Cable
7	99-7264	1	Pipe-Stand	26	94-3829	1	Pin-Clevis
8	46-6560	1	Bushing	27	3256-23	1	Washer-Flat
9	115-7788	1	Cap-Fuel	28	3272-6	1	Pin-Cotter
10	121-9769	1	Fuel Tank ASM	29	104-7014	1	Cover-Brake, Parking
10:2	99-7262	1	Gauge-Fuel	31	32144-4	2	Screw-HWH
10:3	95-8972	1	Grommet	32	32120-47	2	Ring-Retaining, External
11	3339-175	1	Strapping-Web	33	3256-1	2	Washer-Flat
12	3234-17	12	Screw-HHF	34	114-0285	1	Valve-Rollover
13	88-7200	8	Washer-Flat	35	114-0284	1	Grommet
14	99-7129	1	Conduit-Line, Fuel	36	117-1221	1	Canister-Carbon, 800Cc
15	99-7830	2	Rubber Receptical ASM	37	106-5317	1	Hose-Fuel
16	99-7833	2	Post-Holding	38	115-7854	1	Filter-Fuel, Inline
17	32108-5	2	Screw-FH	40	109-0273	1	Hose-Fuel
18	3290-412	2	Rivet	41	110-8751	1	Hose-Fuel
20	104-6844-03	1	Support-Brake, Park	42	2412-146	1	Clamp-Hose



## Front Tire, Spindle and Tie Rod Assembly

Ref.	Part Number	Qty.	Description	Ref.	Part Number	Qty.	Description
1	120-5025	2	Tire And Wheel ASM	17	3272-12	2	Pin-Cotter
1:1	120-4974	1	Wheel	18	254-94	2	Bearing-Cone, Tapered
1:2	104-7289	1	Tire	19	254-72	2	Bearing-Cup, Tapered
1:3	232-27	1	Stem-Valve	20	254-106	2	Cone-Bearing, Tapered
2	3296-23	2	Nut-Lock, NI	21	254-107	2	Cup-Bearing, Tapered
3	256-115	2	Washer-Thrust	22	108-7019	2	Seal-Shaft
4	119-9522	1	Spindle-RH	23	117-8071	2	Hub ASM
5	115-7654	2	Tie Rod	23:2	10-6830	5	Stud-Type, Drive
6	99-7499	2	Sleeve-Kingpin	24	119-9520	2	Rotor
7	302-5	4	Fitting-Grease	25	121-9671	8	Screw-HSBH
8	325-20	2	Screw-HH	26	112-3311	2	Clip-Hose
9	119-9521	1	Spindle-LH	27	119-9535	2	Brake Caliper ASM
10	3272-7	4	Pin-Cotter	28	119-9509	2	Screw-Bleed
12	242-50	10	Nut-Lug	29	3234-11	4	Screw-HHF
13	241-119	2	Cap-Dust	31	112771-03	2	Joint-Ball, LH
14	3220-7	2	Nut-Jam	31:2		1	Socket-Balljoint ●
15	93-0309	2	Washer-Tab	31:2:1	915031	1	Nut
16	93-0307	2	Nut-Lock, Retainer	32	3218-21	2	Nut-Jam

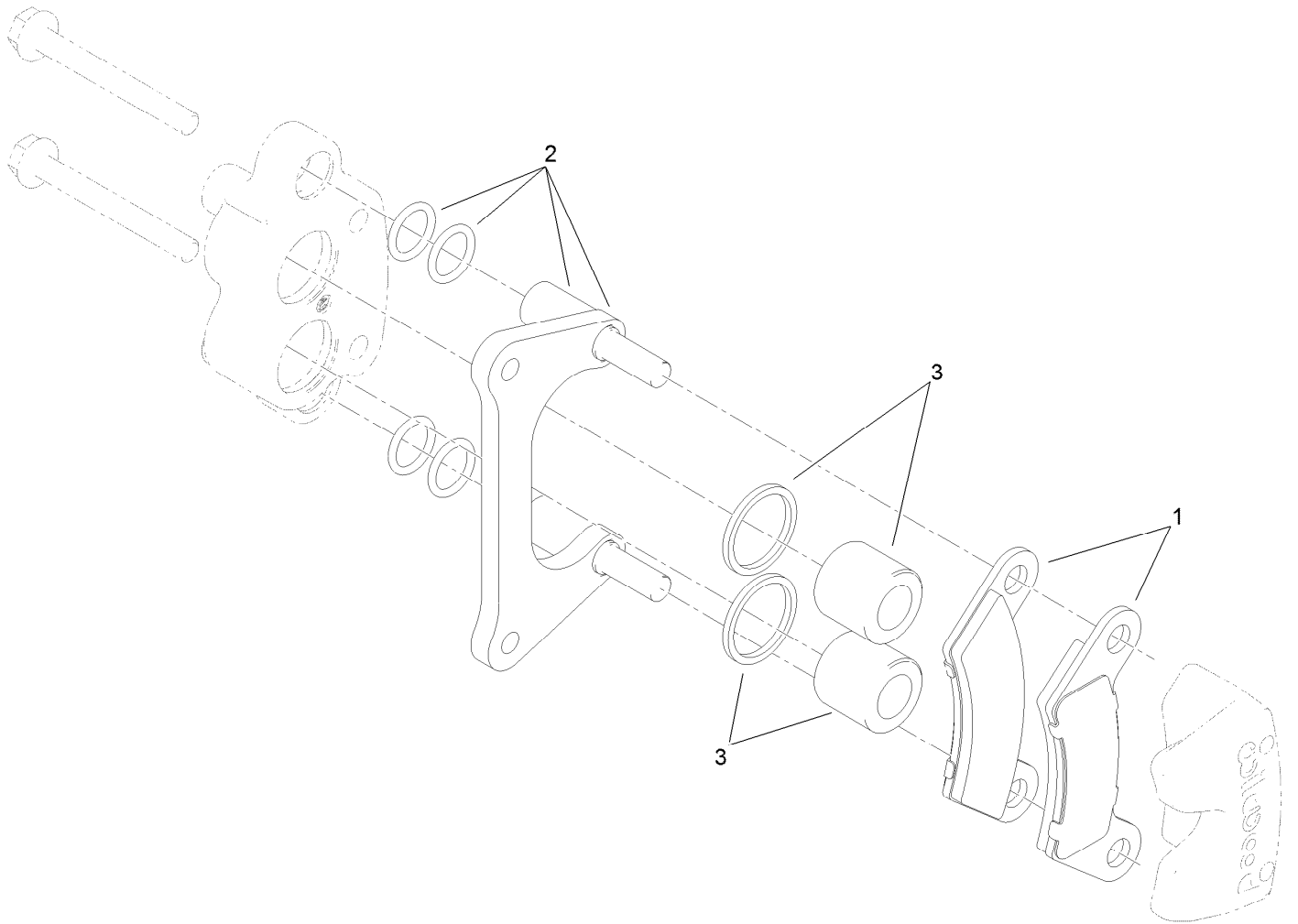
● Not serviced separately



## Front Tire, Spindle and Tie Rod Assembly (continued)

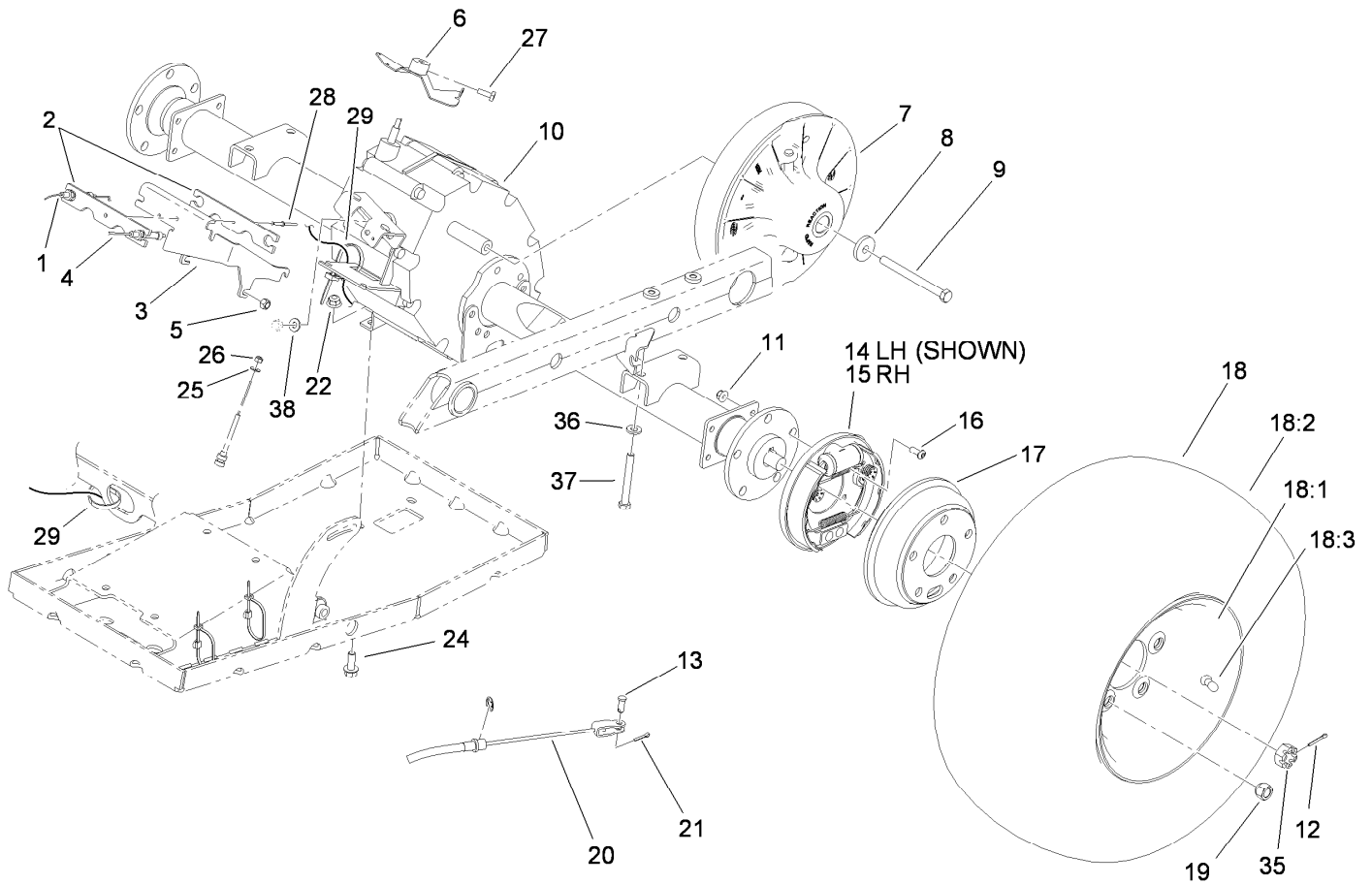
Ref.	Part Number	Qty.	Description	Ref.	Part Number	Qty.	Description
33	3220-11	2	Nut-Jam	34:2		1	Socket-Balljoint ●
34	112772-03	2	Joint-Ball, RH	34:2:1	915031	1	Nut

● Not serviced separately



## Brake Caliper Assembly No. 119-9535

<i>Ref.</i>	<i>Part Number</i>	<i>Qty.</i>	<i>Description</i>
1	119-9510	1	Brake Pad Kit
2	119-9511	1	Bracket Kit
3	119-9512	1	Piston Kit



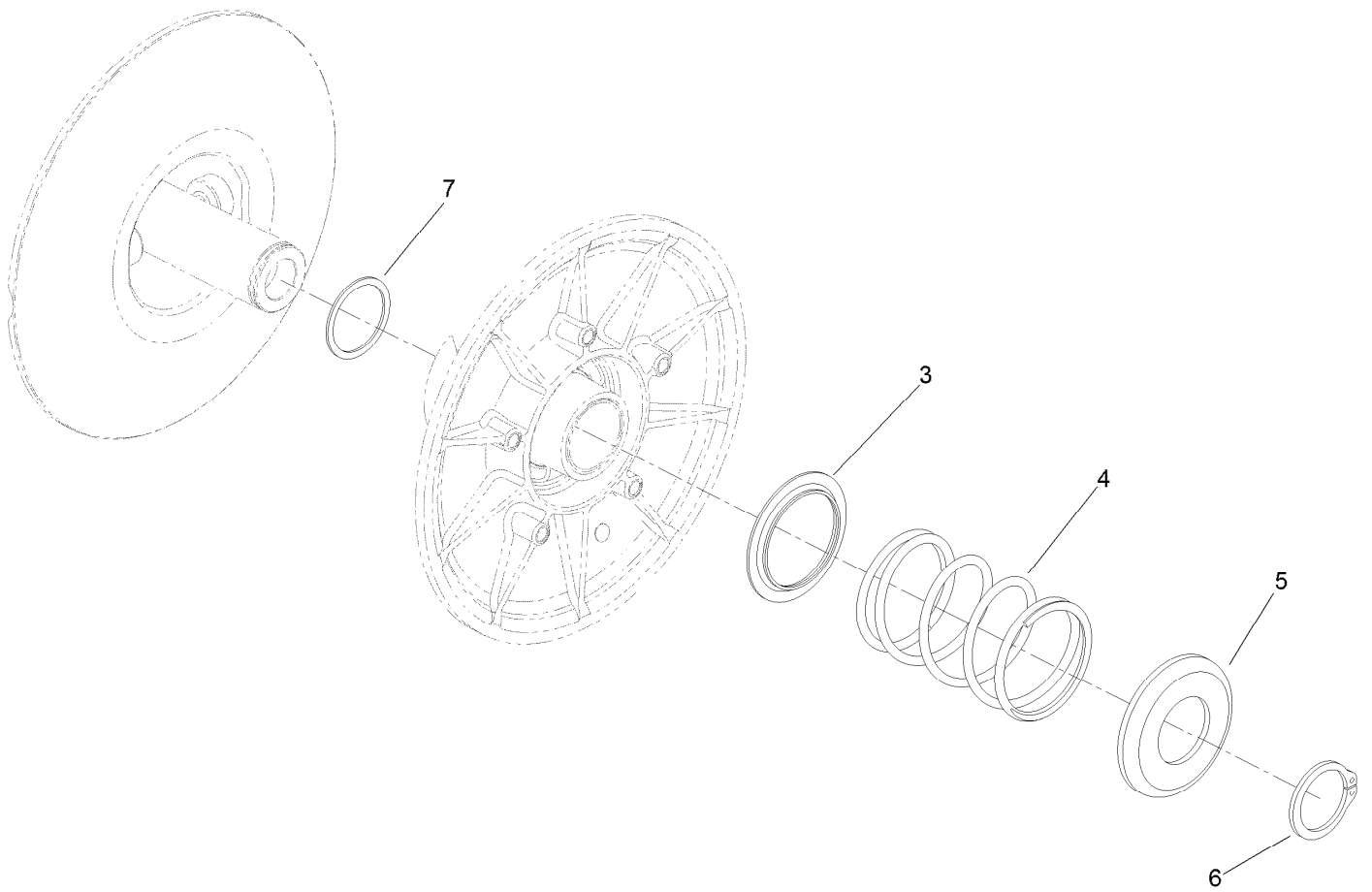
## Rear Tire and Transaxle Assembly

Ref.	Part Number	Qty.	Description	Ref.	Part Number	Qty.	Description
1	104-6474	1	Cable-Governor	18:1	120-4974	1	Wheel
2	99-7121	2	Bracket-Tamper	18:2	104-7289	1	Tire
3	99-7054	1	Bracket-Cables	18:3	232-27	1	Stem-Valve
4	115-7613	1	Cable-Accelerator	19	242-50	10	Nut-Lug
5	33024-00	3	Nut-Lock, NI	20	112-3309	2	Cable-Brake
6	104-6569	1	Bracket-Governor	21	3272-10	2	Pin-Cotter
7	119-6011	1	Secondary Clutch ASM	22	104-8301	4	Nut-Flange, NI
8	104-6563	1	Washer-Stepped	24	3234-11	4	Screw-HHF
9	119-0723	1	Screw-HH, Lock	25	3256-49	2	Washer-Flat
10	115-2300	1	Transaxle	26	3296-2	2	Nut-Lock, NI
11	104-8300	8	Nut-Flange, NI	27	3241-6	2	Screw-SQH
12	3272-12	2	Pin-Cotter	28	99-7122	1	Rivet-Annodized
13	283-62	2	Pin-Clevis	29	3290-378	2	Tie-Cable
14	114-8332	1	LH Brake ASM	35	104-1656	2	Nut-Castle
15	114-8331	1	RH Brake ASM	36	100-4852	4	Washer-Hardened
16	3274-55	8	Screw-HSBH	37	323-14	4	Screw-HH
17	104-6500	2	Drum-Brake	38	87-8640	1	Washer-Flat
18	120-5025	2	Tire And Wheel ASM				



## Transaxle Assembly No. 115-2300 (continued)

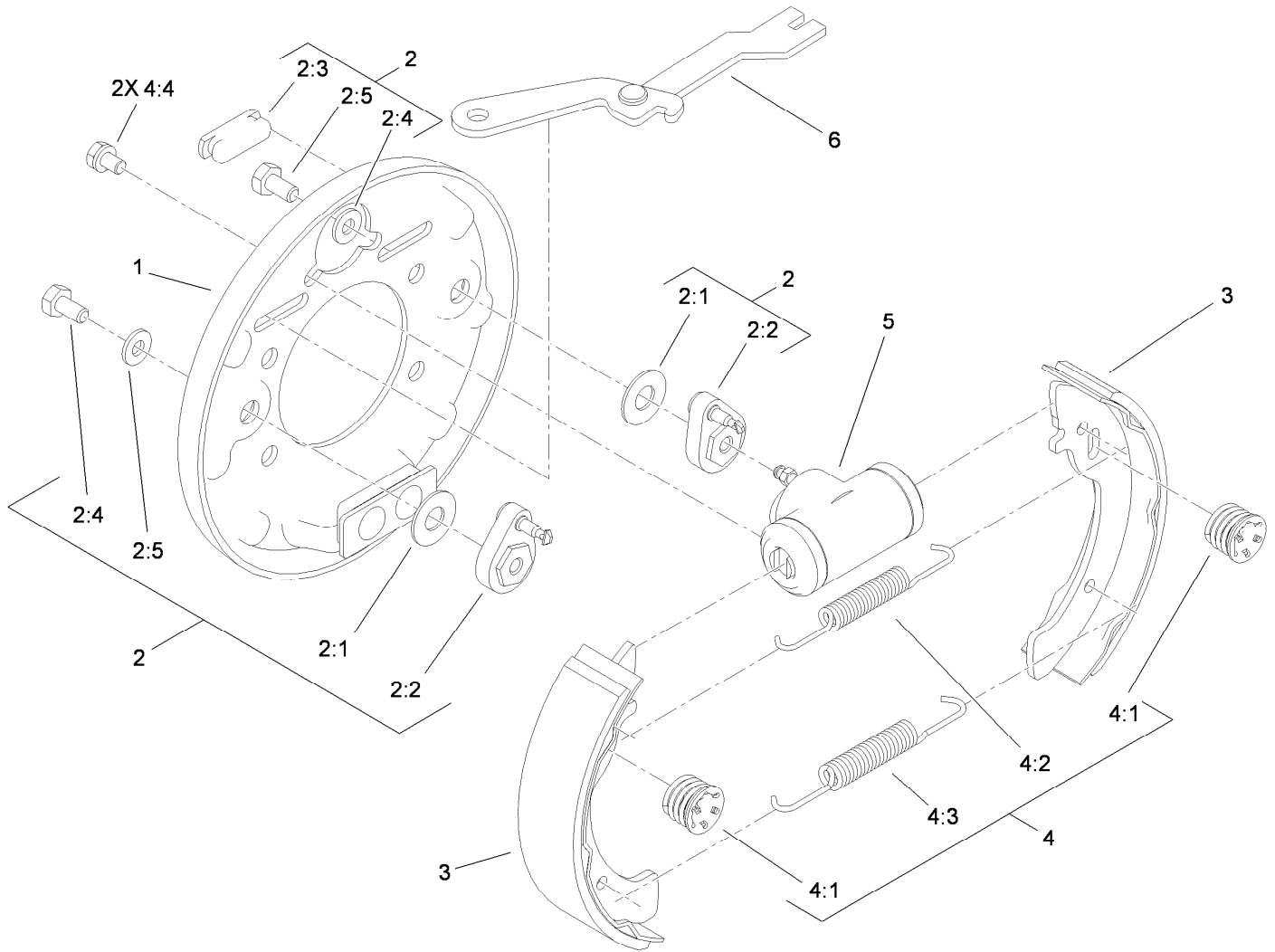
<i>Ref.</i>	<i>Part Number</i>	<i>Qty.</i>	<i>Description</i>	<i>Ref.</i>	<i>Part Number</i>	<i>Qty.</i>	<i>Description</i>
1	104-1601	1	Case-LH, Complete	39	104-1639	1	Gear
2	104-1602	1	Seal-Oil	40	104-1640	1	Shaft-Counter
3	104-1603	1	Seal-Oil	41	104-1641	1	Case-Differential
4	104-1604	1	Ring-Snap	42	104-1642	2	Gear-Side, Differential
5	104-1605	1	Spacer	43	104-1643	2	Pinion-Differential
6	104-1606	1	Shaft-Selector	44	104-1644	1	Shaft-Differential
7	104-1607	2	Seal-Oil	45	104-1645	1	Pin
8	104-1608	4	Bolt-Flange	46	104-1646	1	Bearing-Ball
9	104-1609	2	Plug-Check, Oil	47	104-1647	1	Bearing-Needle
10	104-1610	2	Gasket	48	104-1648	1	Gear
11	104-1611	2	Plug-Drain, Oil	49	104-1649	6	Bolt
12	104-1612	2	Gasket	50	104-1650	1	Shaft-Axle, LH
13	104-1613	1	Plug-Filler, Oil	51	104-1651	1	Shaft-Axle, RH
14	104-1614	1	Case-Complete, RH	52	104-1652	4	Bearing-Ball
15	104-1615	1	Seal-Oil	53	104-1653	1	Case-Axle, LH
16	104-1616	1	Shaft-Governor	54	104-1654	1	Case-Axle, RH
17	104-1617	1	Fork-Governor	55	104-1655	4	Ring-Snap
18	104-1618	1	Stopper	56	104-1656	2	Nut-Castle
19	104-1619	4	Screw And Washer ASM	57	104-1657	2	Ring-Snap
20	104-7002	1	Shaft-Input, Complete	58	104-6870	1	Shaft-Shift, Complete
21	104-1621	1	Base-Governor	59	104-1659	2	Knock-Pipe
22	104-1622	1	Pin-Lock	60	104-1660	1	Ball-Steel
23	104-1623	1	Unit-Plate, Governor	61	104-1661	1	Spring
24	104-1624	1	Bearing-Ball	62	104-1662	1	Gasket
25	104-1625	1	Sleeve-Governor	63	104-1663	1	Bolt
26	104-1626	2	Bearing-Ball	64	104-1664	1	Gasket
27	104-1627	1	Spacer	65	104-1665	6	Bolt-Flange
28	104-1628	1	Gear	66	104-1666	4	Bolt-Flange
29	115-7672	1	Bracket-Wire, Change	69	104-6867	2	Collar
30	104-1630	1	Clutch-Pin	70	33004-00	11	Nut-HF
31	104-1631	1	Shaft-Center	71	104-1671	2	Bracket-Axle
32	104-1632	1	Gear	72	104-1672	1	Nut-Lock
33	104-1633	2	Collar	73	104-1673	2	Washer-Spring
34	104-1634	1	Gear	74	104-1674	2	Washer
35	104-1635	6	Bolt-Flange	75	104-1675	2	Hub
36	104-1636	1	Bearing-Ball	76	112-3287	1	Lever-Select
37	104-1637	1	Bearing-Ball	78	104-8649	10	Stud
38	104-1638	2	Spacer				



## Secondary Clutch Assembly No. 119-6011

<i>Ref.</i>	<i>Part Number</i>	<i>Qty.</i>	<i>Description</i>
3	119-0809	1	Cup-Spring Retainer, Inner
4	119-9360	1	Spring-Compression, Black/Almond
5	119-0810	1	Cup-Spring Retainer, Outer
6	119-0811	1	Ring-Retaining
7	119-6018	1	Shim-Thrust

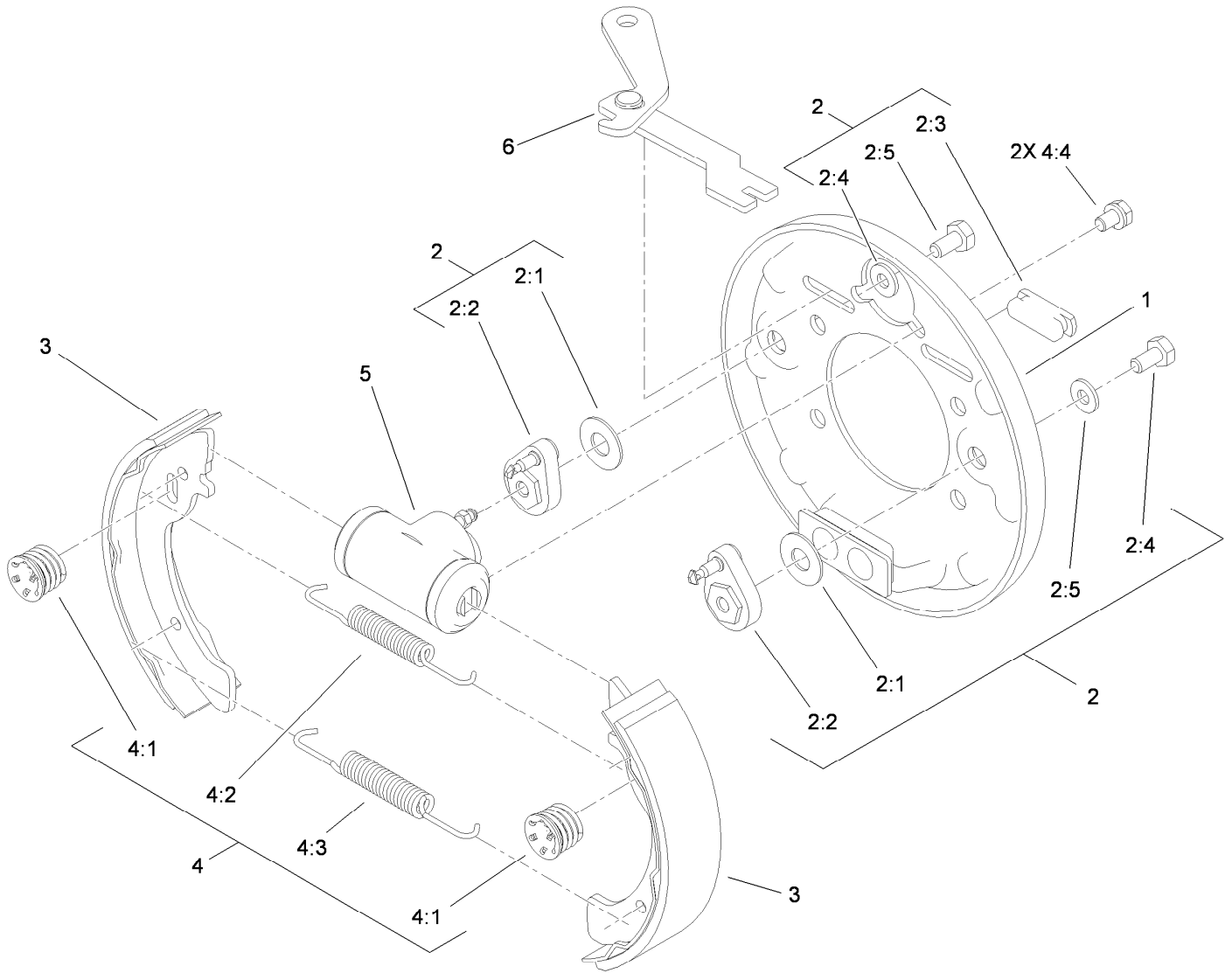




## LH Rear Brake Assembly No. 114-8332

Ref.	Part Number	Qty.	Description
1	100-8586	1	Backing Plate ASM
2	104-6820	1	Adjuster Kit
2:1	100-8585	2	Washer-Bellville
2:2	100-8588	2	Adjuster Lever ASM
2:3	100-8584	2	Cover-Dust
2:4		2	Washer ●
2:5		2	Bolt ●
3	104-6818	4	Shoe And Lining Kit
4	104-6819	1	Hardware Kit
4:1	100-8583	2	Shoe Hold Down Spring ASM
4:2	100-8581	2	Spring-Upper
4:3	100-8582	2	Spring-Lower
4:4		2	Bolt And Washer ●
5	114-8333	1	Wheel Cylinder ASM
6	104-6825	1	LH Park Brake Lever ASM

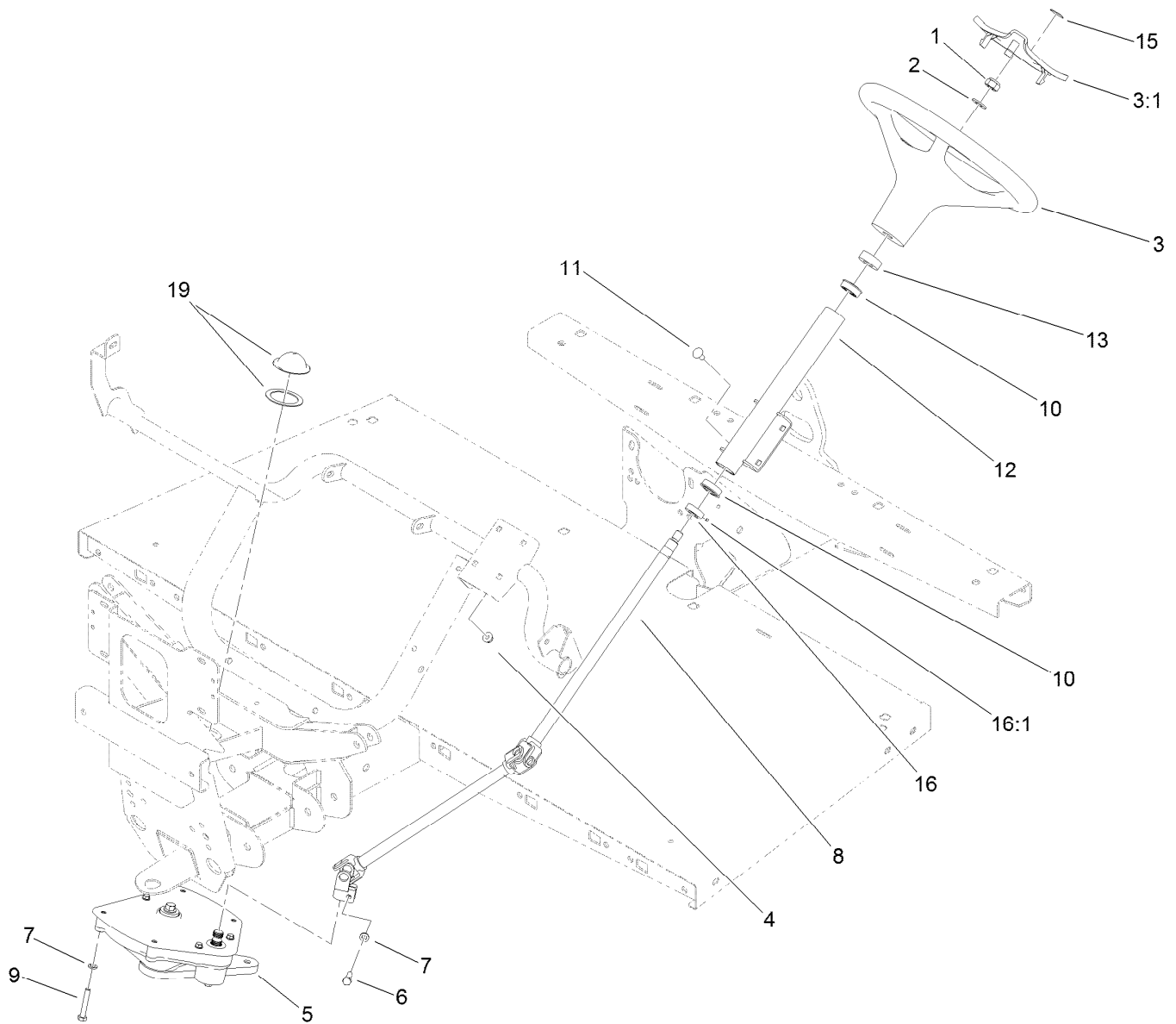
● Not serviced separately



## RH Rear Brake Assembly No. 114-8331

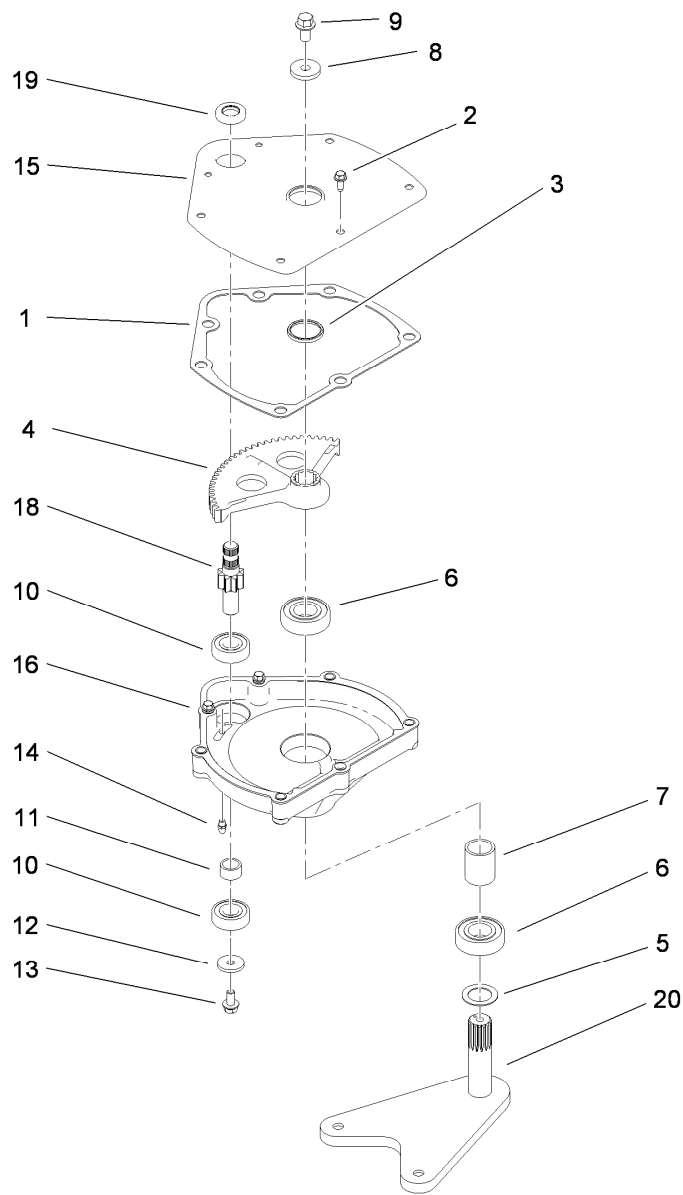
Ref.	Part Number	Qty.	Description
1	100-8586	1	Backing Plate ASM
2	104-6820	1	Adjuster Kit
2:1	100-8585	2	Washer-Bellville
2:2	100-8588	2	Adjuster Lever ASM
2:3	100-8584	2	Cover-Dust
2:4		2	Washer ●
2:5		2	Bolt ●
3	104-6818	4	Shoe And Lining Kit
4	104-6819	1	Hardware Kit
4:1	100-8583	2	Shoe Hold Down Spring ASM
4:2	100-8581	2	Spring-Upper
4:3	100-8582	2	Spring-Lower
4:4		2	Bolt And Washer ●
5	114-8333	1	Wheel Cylinder ASM
6	104-6826	1	RH Park Brake Lever ASM

● Not serviced separately



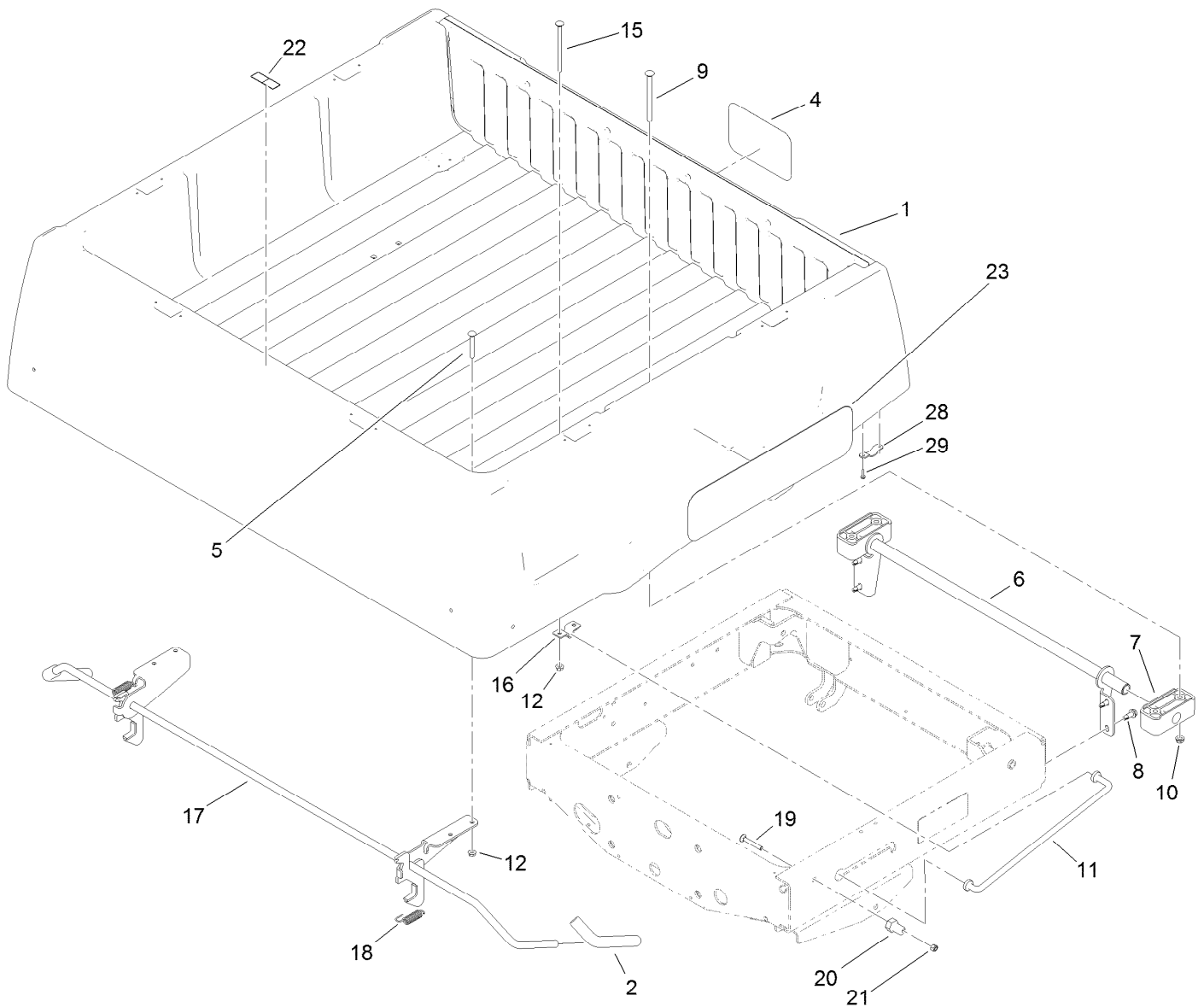
## Upper Steering Assembly

<i>Ref.</i>	<i>Part Number</i>	<i>Qty.</i>	<i>Description</i>	<i>Ref.</i>	<i>Part Number</i>	<i>Qty.</i>	<i>Description</i>
1	119-9493	1	Nut-Lock, NI	9	112-3305	4	Screw-HH
2	3256-26	1	Washer-Flat	10	112-3262	2	Bearing
3	98-1471	1	Wheel-Steering	11	3230-1	4	Bolt-CARR
3:1	98-1468	1	Cover-Wheel, Steering	12	112-3264-03	1	Column
4	104-8300	4	Nut-Flange, NI	13	21-9260	1	Cover-Dust
5	112-3130	1	Steering Box ASM	15	98-1459	1	Decal
6	48-7730	1	Screw-Cap, HH	16	111383	1	Collar
7	3253-4	5	Washer-Lock	16:1	3245-32	1	Screw-HSH
8	112-3355	1	Steering Shaft ASM	19	120-5049	1	Steering Box Cover Kit



## Steering Box Assembly No. 112-3130

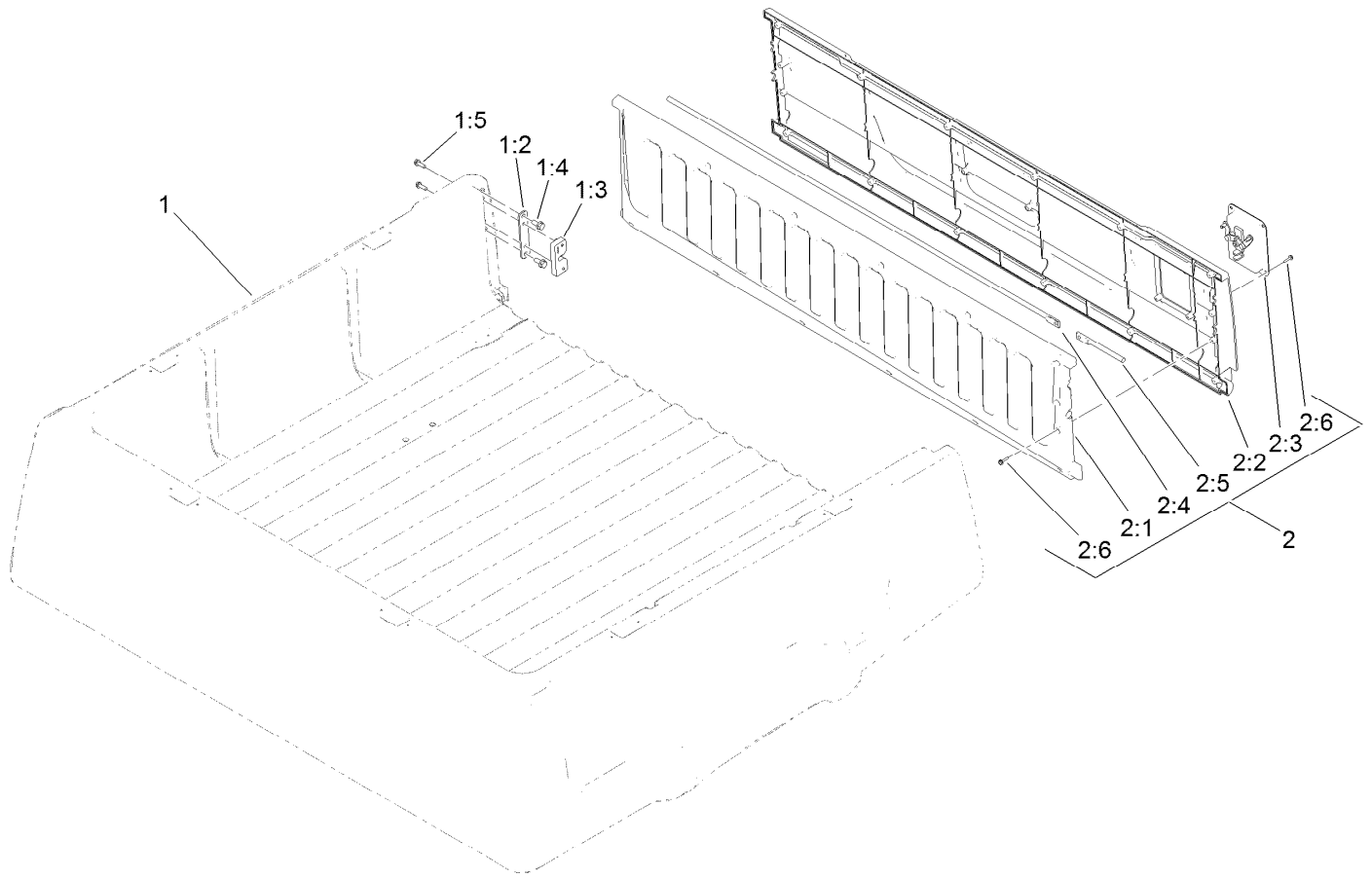
<i>Ref.</i>	<i>Part Number</i>	<i>Qty.</i>	<i>Description</i>	<i>Ref.</i>	<i>Part Number</i>	<i>Qty.</i>	<i>Description</i>
1	94-2135	1	Gasket	11	94-2217	1	Spacer-Shaft, Input
2	32144-10	3	Screw-HWH	12	1-613235	1	Washer
3	103118	1	Seal	13	98-3498	1	Screw-HH
4	99-7843	1	Sector-Gear	14	302-5	1	Fitting-Grease
5	3256-42	1	Washer-Flat	15	112-2918-03	1	Cover-Housing, Steering
6	251-82	2	Bearing-Ball	16	114-8309	1	Housing-Steering
7	112-2917	1	Spacer	18	115-7726	1	Gear-Pinion
8	104-6563	1	Washer-Stepped	19	99-7657	1	Seal-Oil
9	104-7156	1	Screw-HHF	20	112-3096-03	1	Arm-Pitman
10	38-7820	2	Bearing-Ball				



## Cargo Bed Installation Assembly

Ref.	Part Number	Qty.	Description	Ref.	Part Number	Qty.	Description
1		1	Cargo Bed And Tailgate ASM ●	15	119-0914	2	Bolt-CARR
2	119-9627	2	Grip-Handle	16	99-7896	1	Bracket-U, Prop Rod
4	104-7213	1	Decal	17	119-0837	1	Latch ASM
5	3230-8	4	Screw-CARR	18	5-7290	2	Spring-Tension
6	119-0848-03	1	Bracket-Pivot	19	3230-7	2	Bolt-CARR
7	119-0835	2	Bushing-Pivot	20	104-7248	2	Pin-Latch
8	105-6245	4	Screw-Tapping	21	3296-29	2	Nut-Lock, NI
9	109-6795	4	Bolt-CARR	22	115-7739	1	Decal-No Riders
10	3290-357	4	Nut-HHF, Whiz	23	119-0894	2	Decal
11	119-0844	1	Rod-Prop	28	119-0849	2	Retainer-Tailgate
12	32128-20	6	Nut-HF	29	98-1375	4	Screw-HWH

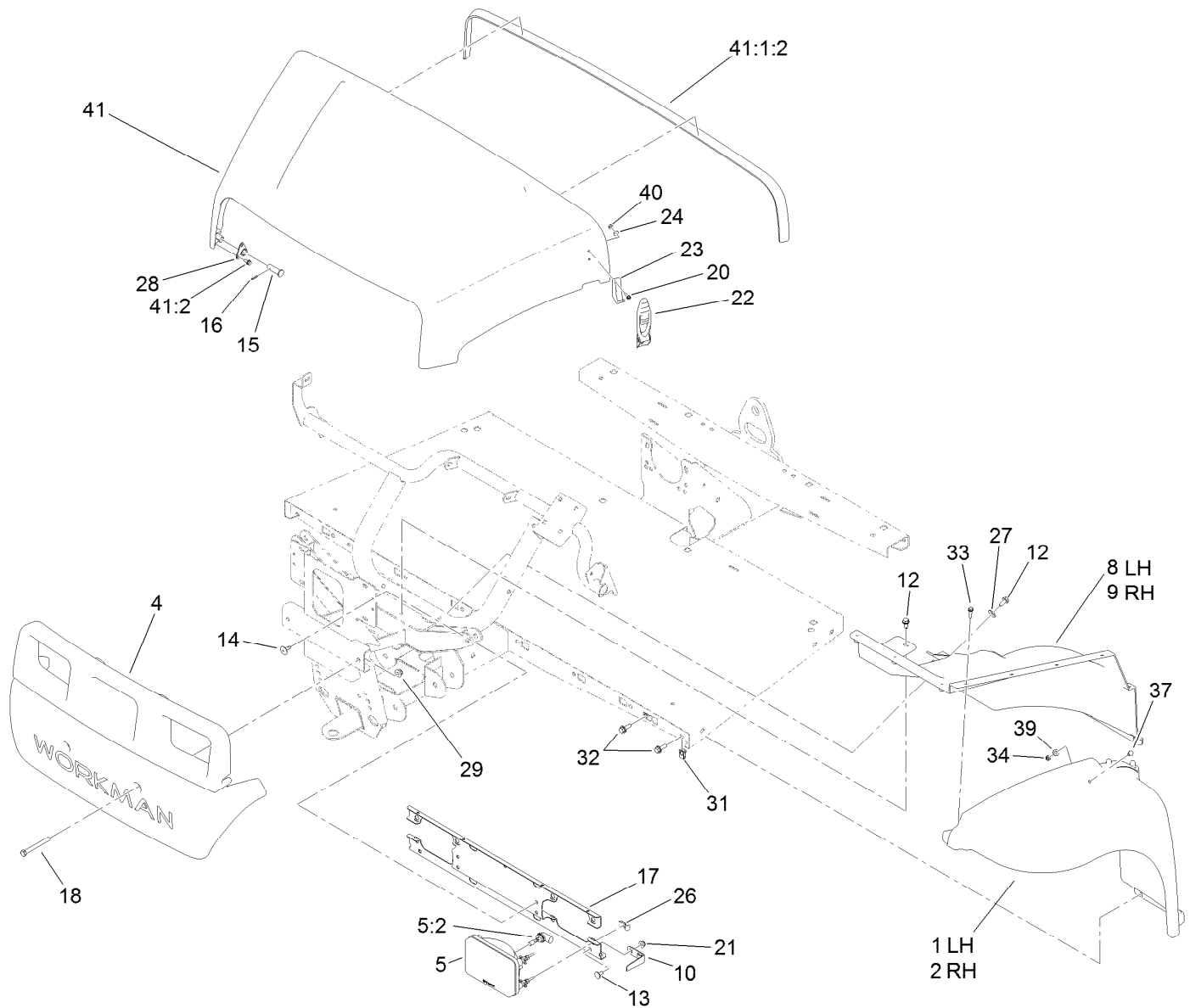
● Not serviced separately



## Cargo Bed Service Assembly No. 119-9710

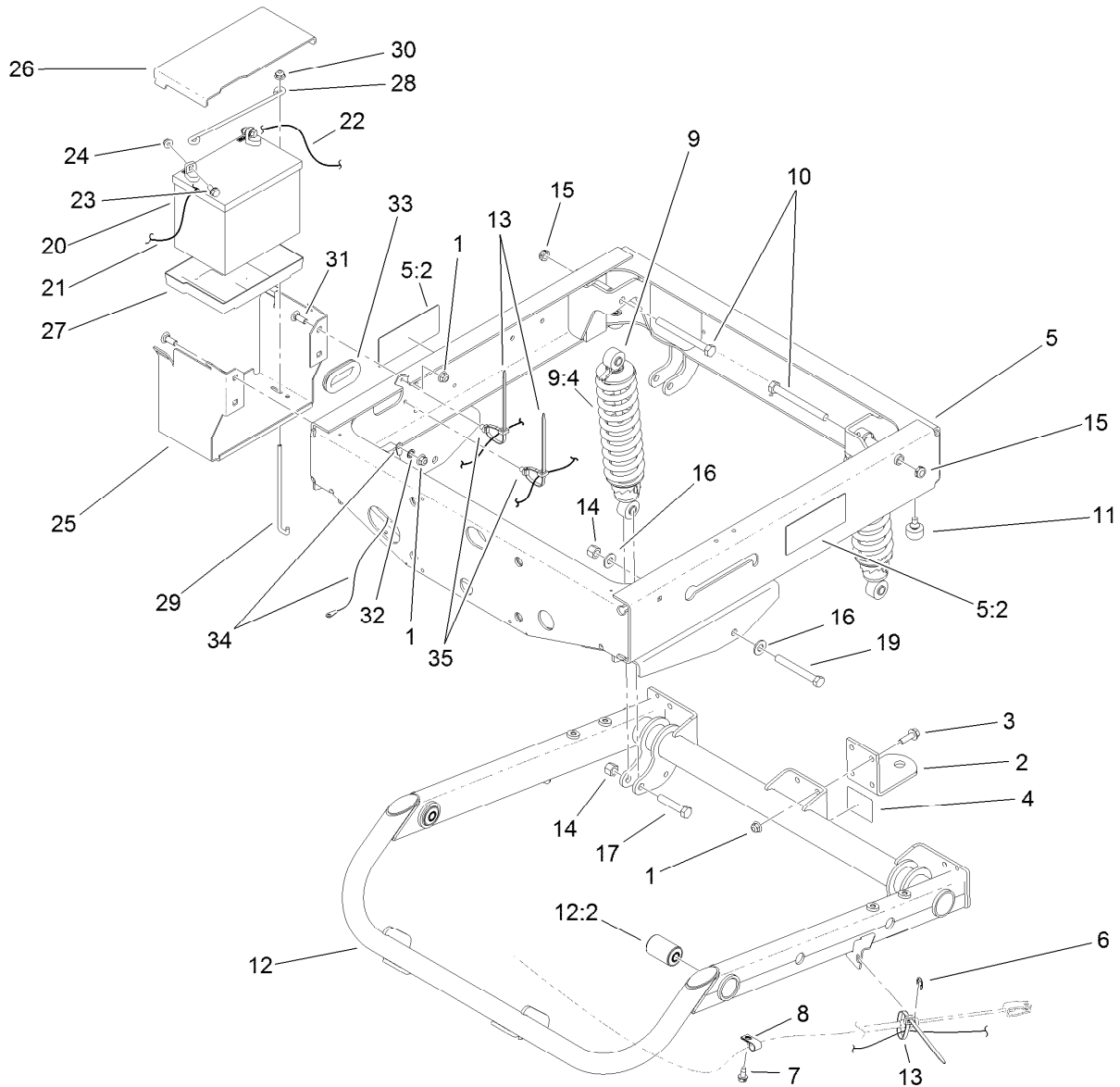
Ref.	Part Number	Qty.	Description
1		1	Cargo Bed W/ Strikes ●
1:2	119-0838	2	Mount-Striker
1:3	119-0892	2	Strike-Latch
1:4	3234-47	4	Screw-HHF
1:5	32105-15	4	Screw
2		1	Tailgate ASM ●
2:1	119-0839	1	Tailgate-Inner
2:2	119-0840	1	Tailgate-Outer
2:3	119-0891	1	Handle-Latch
2:4	119-0842	1	Rod-Latch, RH
2:5	119-0843	1	Rod-Latch, LH
2:6	98-1375	20	Screw-HWH

● Not serviced separately



## Hood and Fender Assembly

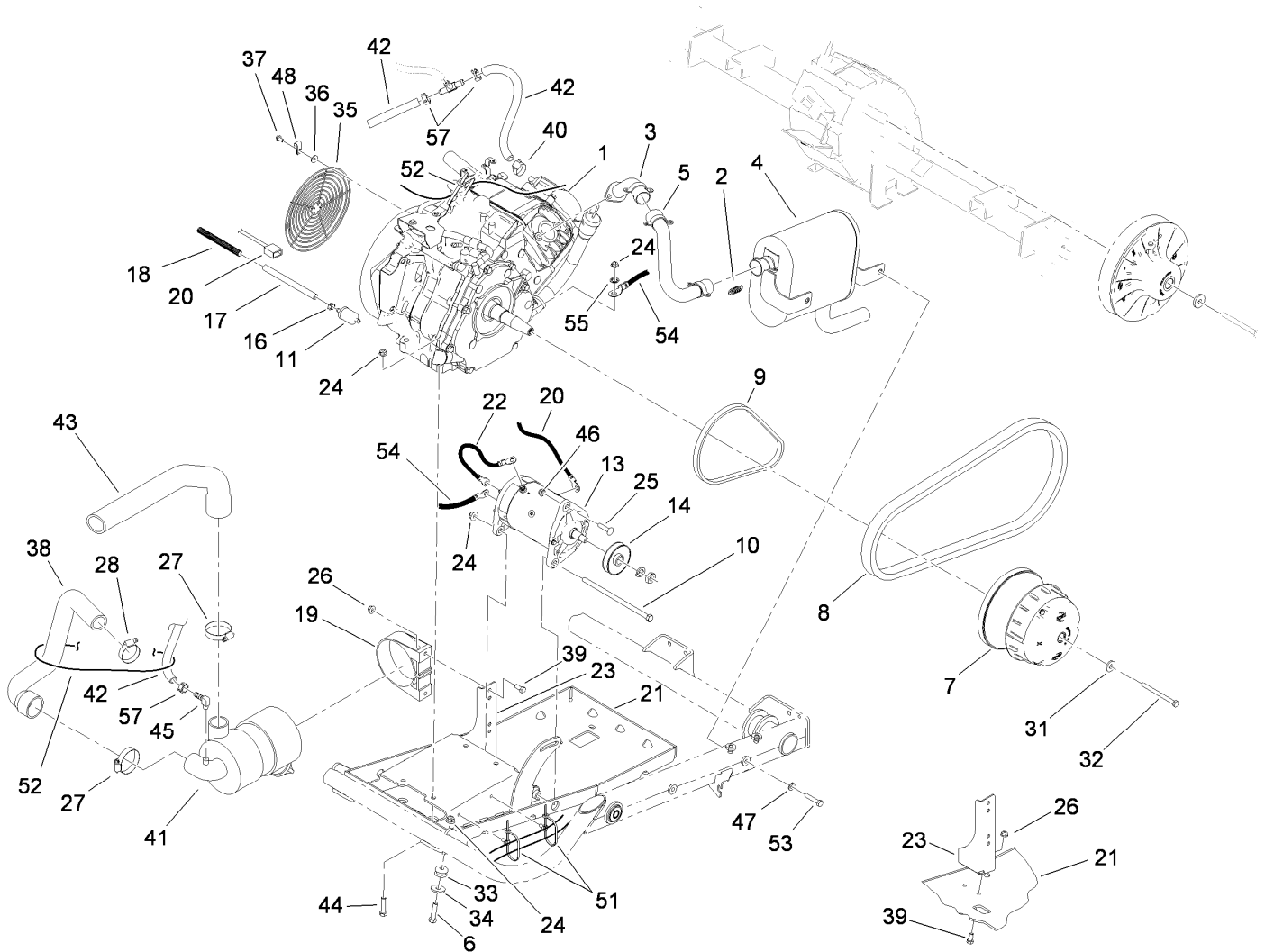
Ref.	Part Number	Qty.	Description	Ref.	Part Number	Qty.	Description
1	112-3371	1	Fender-LH	22	115-2416	2	Latch-Rubber
2	112-3370	1	Fender-RH	23	103-2897	2	Latch-Catch
4	112-3365	1	Bumper	24	3256-14	4	Washer-Flat
5	114-8322	2	Headlight	26	115-2408	6	Clip-Speed
5:2	115-2395	1	Light Bulb ASM	27	3256-71	2	Washer-Flat
8	112-3369	1	Well-Fender, LH	28	112-3308	2	Retainer-Pin
9	112-3368	1	Well-Fender, RH	29	104-8301	2	Nut-Flange, NI
10	112-3373	2	Keeper-Pivot, Hood	31	112-3306	10	Nut
12	32104-32	4	Screw-HWH	32	3234-29	10	Screw-HHF
13	3230-18	2	Screw-CARR	33	46-8091	20	Screw-HWH
14	146489	4	Rivet	34	3296-42	2	Nut-Lock, NI
15	117-5094	2	Pin-Clevis	37	321-39	2	Screw-HH
16	32121-50	2	Pin-Spring	39	3256-22	2	Washer-Flat
17	119-0841-03	1	Bracket-Headlight	40	3296-2	4	Nut-Lock, NI
18	115-7660	2	Screw-HHF	41	121-9606	1	Hood ASM
20	32105-13	4	Screw-HWH	41:1:2	115-7635	1	Seal-Foam
21	32128-20	2	Nut-HF	41:2	121-9605	6	Screw-HWH



## Frame Assembly

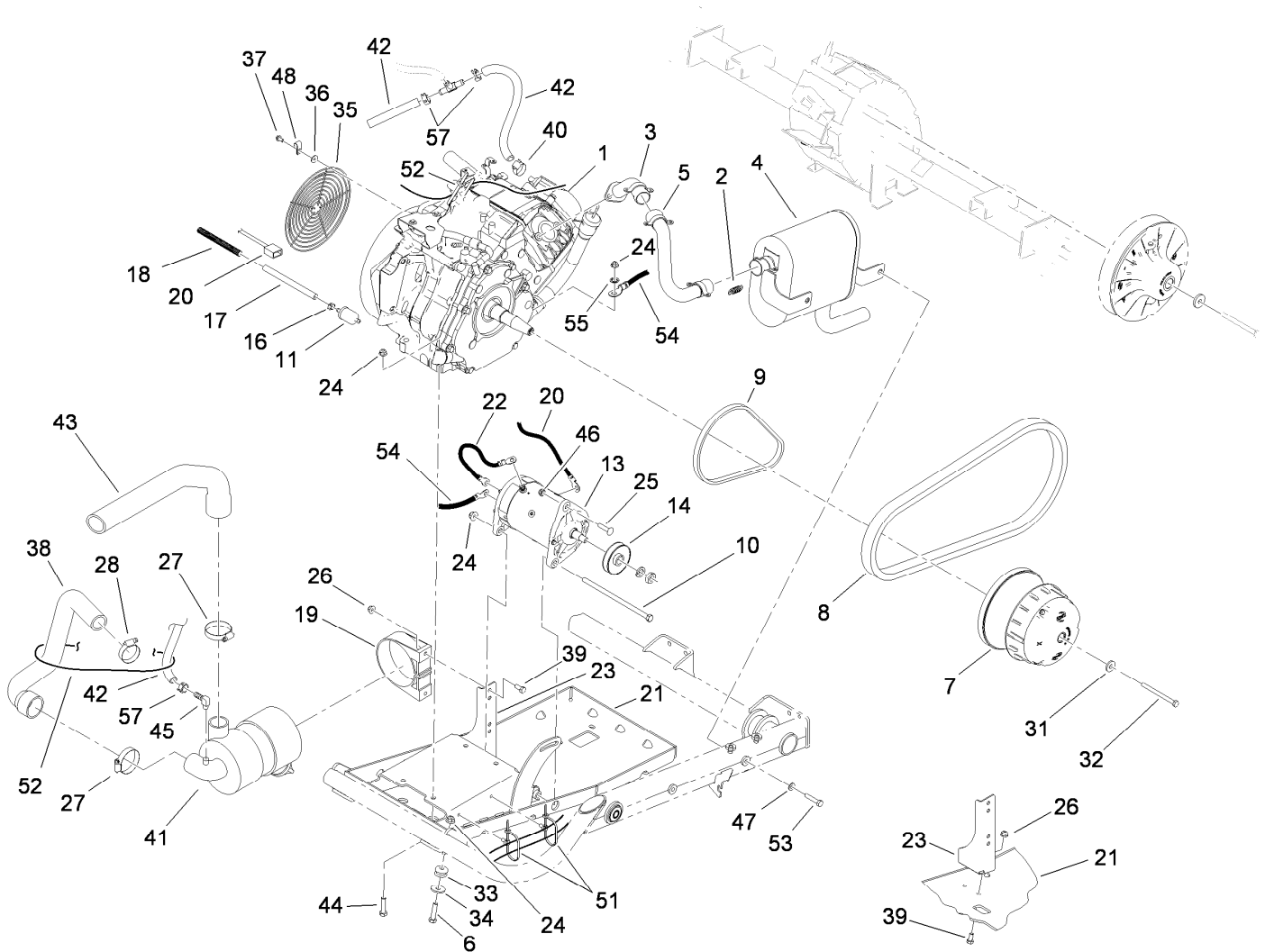
Ref.	Part Number	Qty.	Description	Ref.	Part Number	Qty.	Description
1	104-8301	8	Nut-Flange, NI	17	325-10	2	Screw-HH
2	99-7654-03	1	Hitch-Duty, Light	19	325-17	2	Screw-HH
3	3234-24	4	Screw-HHF	20	104-8162	1	Battery
4	99-7350	1	Decal-Rating, Hitch (Light Duty)	20	99-7421	1	Battery (Wet)
5	119-9628	1	Rear Frame Service ASM	21	115-8107	1	Cable-Battery, Negative
5:2	99-7345	2	Decal-Warning	22	114-9404	1	Cable-Battery, Positive
6	32120-47	2	Ring-Retaining, External	23	3234-5	2	Screw-HHF
7	32104-17	2	Screw-HWH	24	104-8300	2	Nut-Flange, NI
8	2412-89	2	Clamp-R	25	115-2302-03	1	Base-Battery
9	112-3168	2	Rear Shock/Spring ASM	26	115-2394	1	Cover-Battery
9:4	112-3386	1	Spring	27	106948	1	Tray-Battery
10	325-19	2	Screw-HH	28	100-6434	1	Rod-Hold Down, Battery
11	87-2440	2	Bumper-Rubber	29	100-6435	2	Post-Battery
12	115-7614	1	Swing Arm ASM	30	119-6897	2	Nut-Flange, Hex
12:2	112-3377	2	Bushing-Arm, Control	31	3231-22	4	Screw-CARR
13	3290-378	4	Tie-Cable	32	3254-6	1	Washer-Lock, Internal
14	3296-23	4	Nut-Lock, NI	33	240-12	1	Grommet
15	3296-45	2	Nut-Lock, NI	34	115-8108	1	Cable-Battery, Negative
16	87-7270	4	Washer-Thrust	35	32180-030	2	Clip-Tie





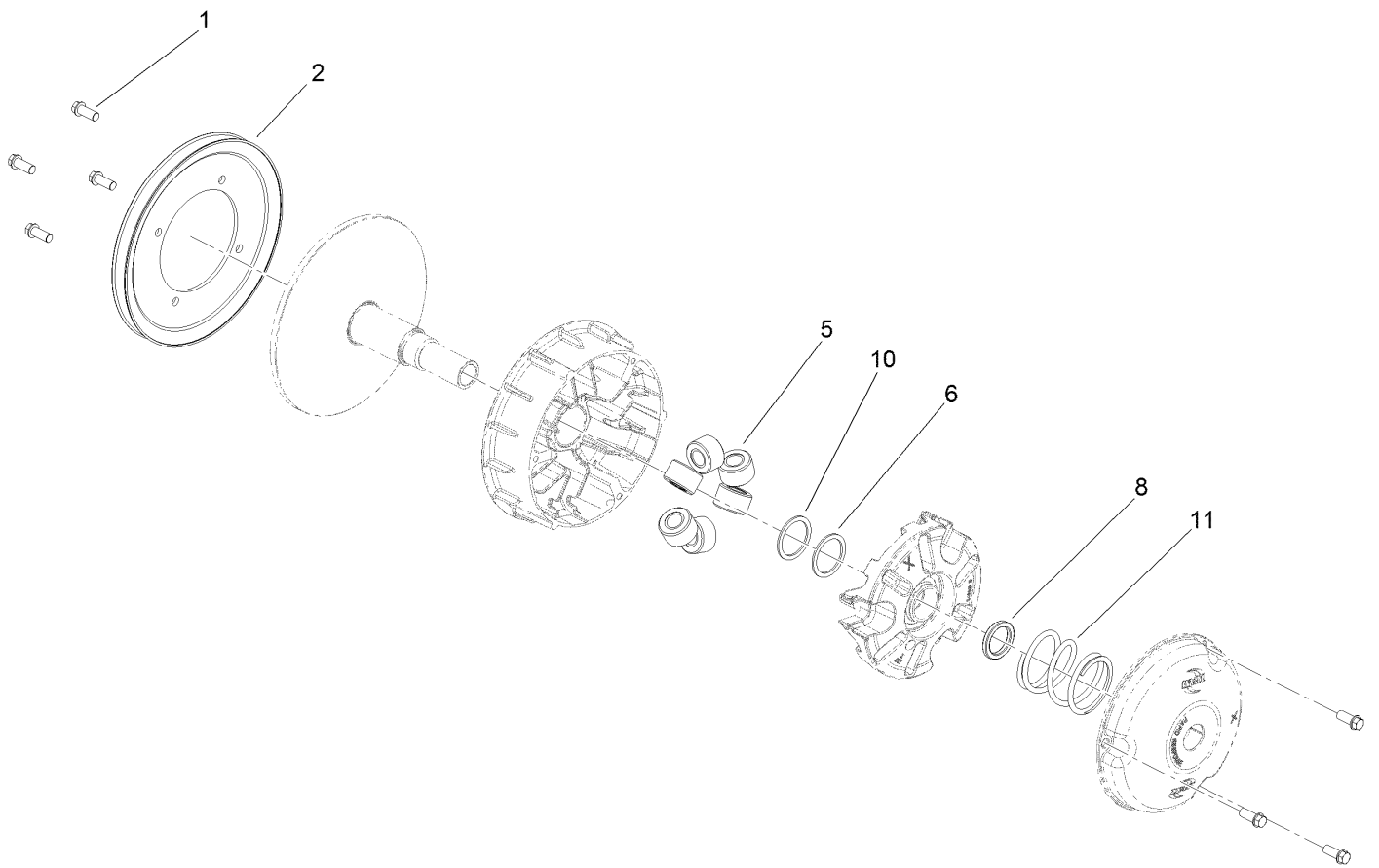
## Engine and Clutch Assembly

Ref.	Part Number	Qty.	Description	Ref.	Part Number	Qty.	Description
1	119-0816	1	Engine-Yamaha, Mz360	24	104-8301	7	Nut-Flange, NI
2	104-6478	4	Spring-Coupler, Exhaust	25	112-6950	1	Screw-CARR
3	104-6511	1	Manifold	26	104-8300	4	Nut-Flange, NI
4	119-0746	1	Muffler	27	2412-130	2	Clamp-Hose
5	119-0716	1	Pipe-Exhaust, Kohler	28	2412-111	1	Clamp
6	323-8	2	Screw-HH	31	119-0724	1	Washer-Flange
7	120-4823	1	Clutch-Primary	32	119-0721	1	Screw-HH
8	119-0710	1	Belt-Variable	33	63-9750	2	Mount
9	112-3131	1	Belt-Starter	34	2844	2	Washer
10	323-30	1	Screw-HH	35	119-9502	1	Grill-Engine
11	94-2690	1	Filter-Fuel	36	3256-78	4	Washer-Flat
13	119-9545	1	Starter Generator ASM	37	33103-012	4	Screw-HHF
14	121-6277	1	Pulley-Drive	38	112-3247	1	Hose-Intake
16	2412-98	3	Clamp-Hose	39	3234-36	4	Screw-HHF
17	107-0588	1	Hose-Fuel	40	2412-36	1	Clamp-Hose
18	99-7377	1	Conduit-Line, Fuel	41	99-7120	1	Air Cleaner ASM
19	95-5806	1	Bracket-Mounting	42	74-9120	2	Hose-Overflow, Radiator
20	115-8125	1	Harness-Wire, Engine	43	115-7625	1	Hose-Intake
21	119-0707-03	1	Tray-Engine	44	323-9	4	Screw-HH
22	99-7403	1	Cable-Negative	45	99-7230	1	Fitting-90 DEG
23	119-0863-03	1	Bracket-Cleaner, Air	46	3296-69	1	Nut-Lock NI



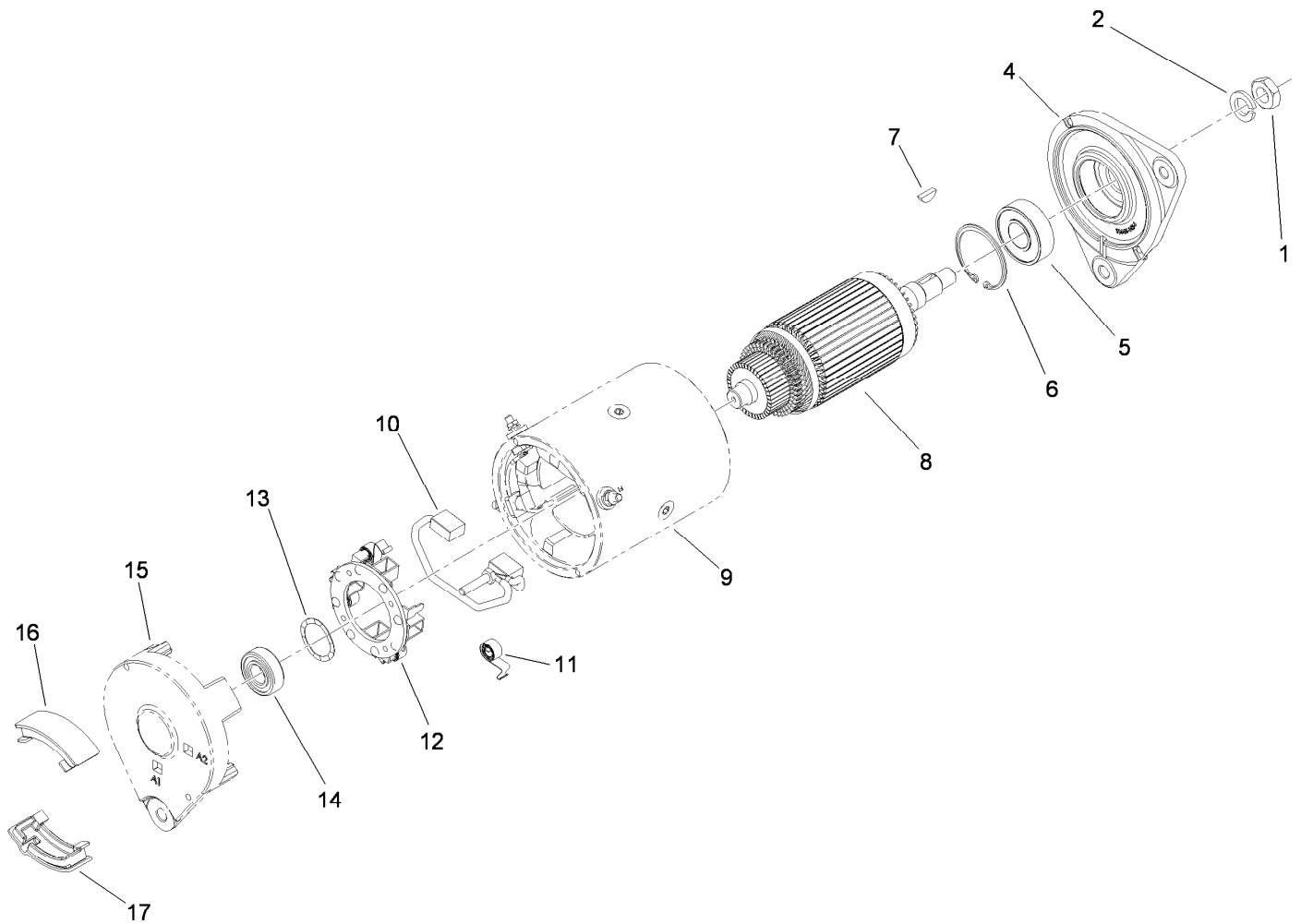
## Engine and Clutch Assembly (continued)

<i>Ref.</i>	<i>Part Number</i>	<i>Qty.</i>	<i>Description</i>	<i>Ref.</i>	<i>Part Number</i>	<i>Qty.</i>	<i>Description</i>
47	3253-4	2	Washer-Lock	53	322-11	2	Screw-HH
48	2412-89	1	Clamp-R	54	100335	1	Wire-Ground
51	32180-030	2	Clip-Tie	55	3254-6	1	Washer-Lock, Internal
52	3290-378	2	Tie-Cable	57	103-1988	3	Clamp-Hose



## Primary Clutch Assembly No. 120-4823

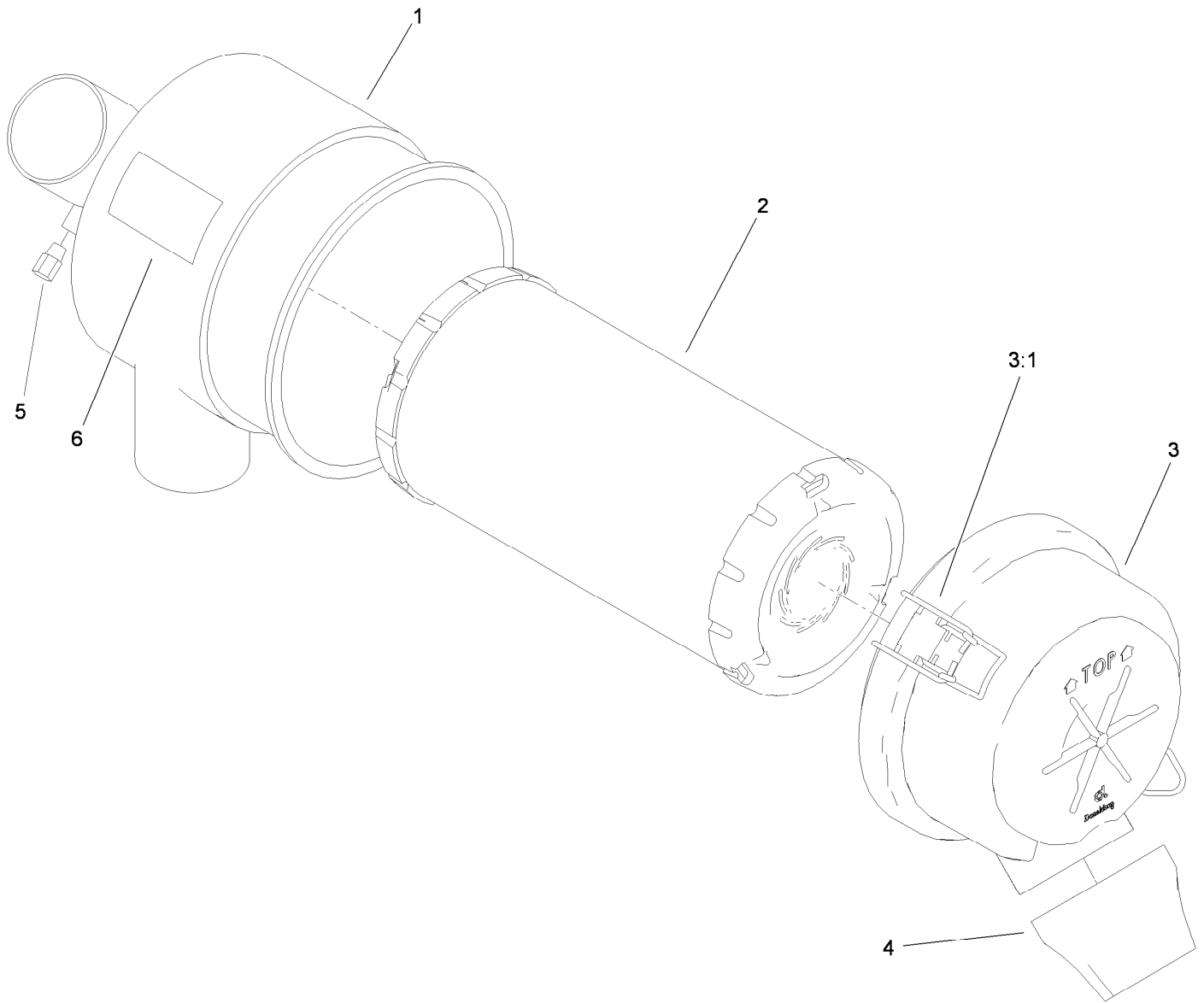
<i>Ref.</i>	<i>Part Number</i>	<i>Qty.</i>	<i>Description</i>
1	49-2040	7	Screw-HWHTF
2	119-0813	1	Pulley-Primary
5	119-0804	6	Weight-Roller (47Gm)
6	119-0812	1	Shim-Spider
8	119-0807	1	Shim-Limiter (.175)
10	119-0815	1	Shim-Spider
11	119-9532	1	Spring-Red/White



## Starter Generator Assembly No. 119-9545

Ref.	Part Number	Qty.	Description	Ref.	Part Number	Qty.	Description
1	119-9651	1	Nut	10	119-9659	1	Brush Lead And Terminal Service Kit
2	119-9652	1	Washer-Lock	11	119-9660	4	Spring-Brush
4	119-9654	1	Head-End, Drive	12	119-9661	1	Brush Box ASM
5	119-9655	1	Bearing	13	119-9662	1	Washer-Wave
6	119-9656	1	Ring-Retaining	14	119-9663	1	Bearing
7	119-9657	1	Key-Woodruff	15		1	Head-End, Cummutator ●
8	119-9658	1	Armature ASM	16	119-9664	3	Plug-Rubber
9		1	Frame And Field Assembly ●	17	119-9665	1	Plug-Rubber

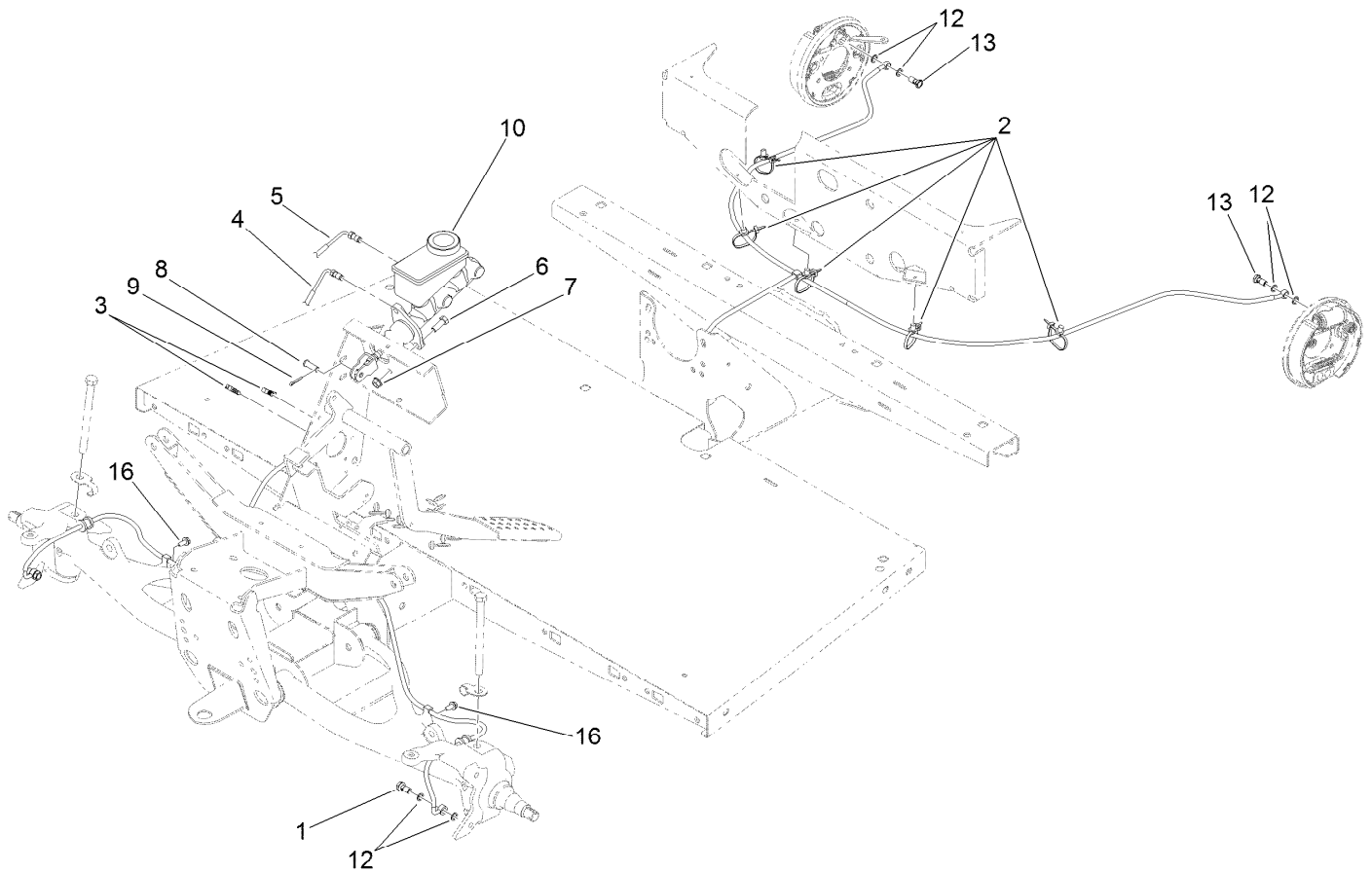
● Not serviced separately



## Air Cleaner Assembly No. 99-7120

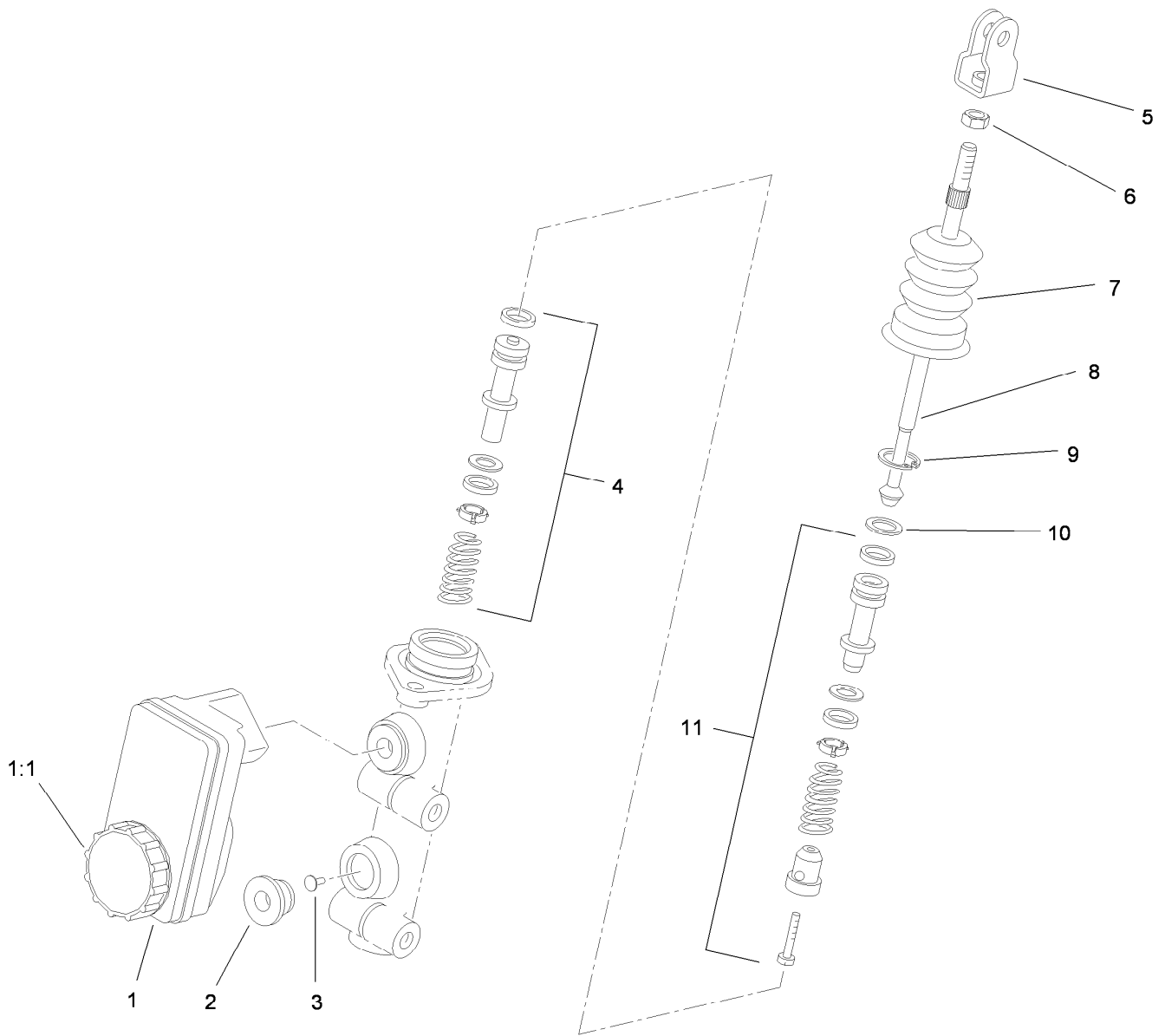
Ref.	Part Number	Qty.	Description
1		1	Body ●
2	108-3811	1	Filter-Air
3	94-3652	1	Cover ASM
3:1	1-643283	2	Latch-Cleaner, Air
4	87-9400	1	Valve-Vacuator
5		1	Plug ●
6		1	Marking ●

● Not serviced separately



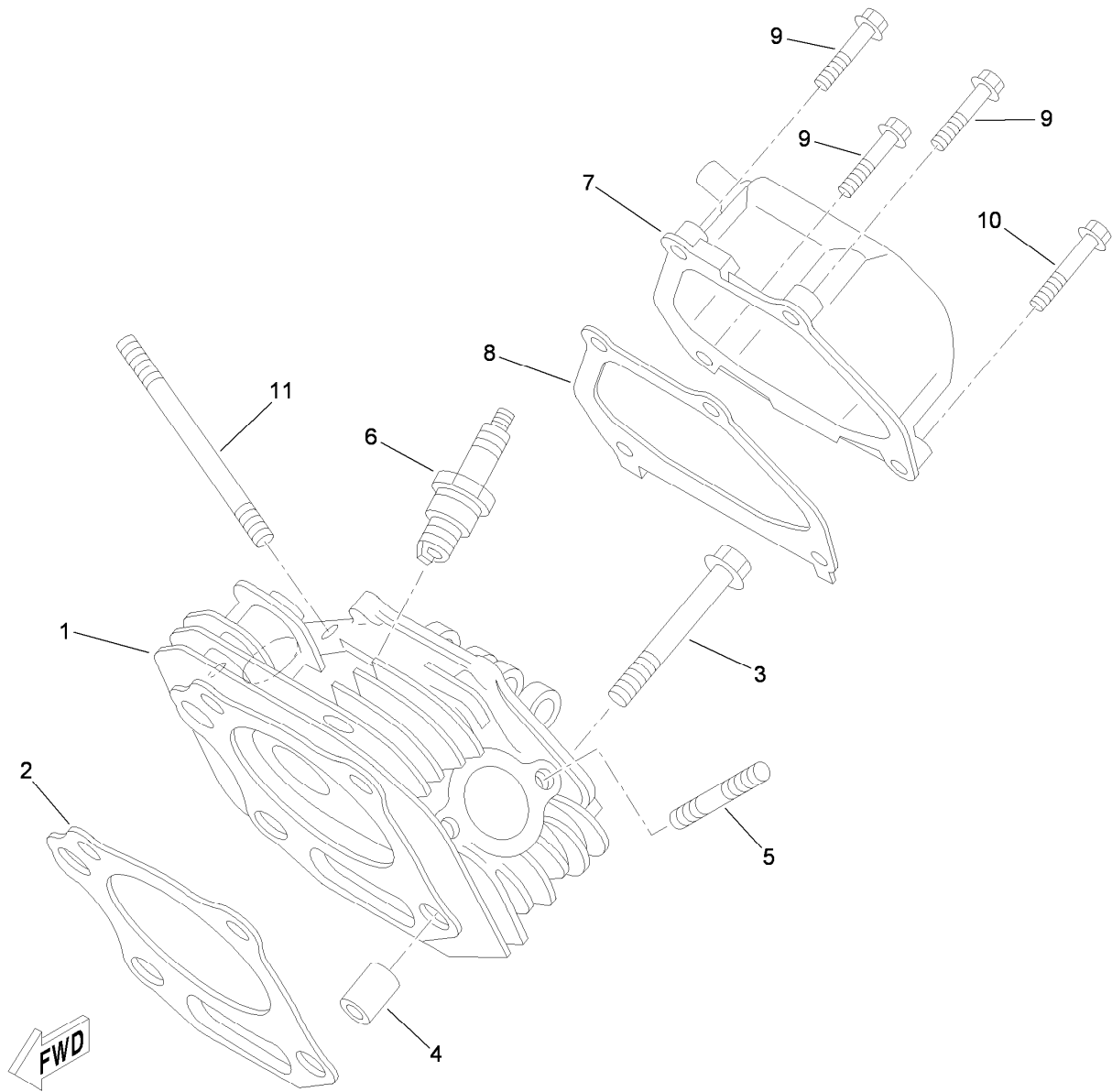
## Master Cylinder and Brake Line Assembly

Ref.	Part Number	Qty.	Description
1	120-4875	2	Bolt-Flange, Banjo
2	32180-030	5	Clip-Tie
3	114-8324	4	Clip-Line, Brake
4	119-9683	1	Front Brake Line ASM
5	112-2926	1	Rear Brake Line ASM
6	323-6	2	Screw-HH
7	3290-357	2	Nut-HHF, Whiz
8	283-2	1	Pin-Clevis
9	3272-10	1	Pin-Cotter
10	104-6782	1	Cylinder-Master
12	115-2341	8	Washer-Banjo
13	115-2340	2	Bolt-Banjo
16	32104-32	2	Screw-HWH



## Master Cylinder Assembly No. 104-6782

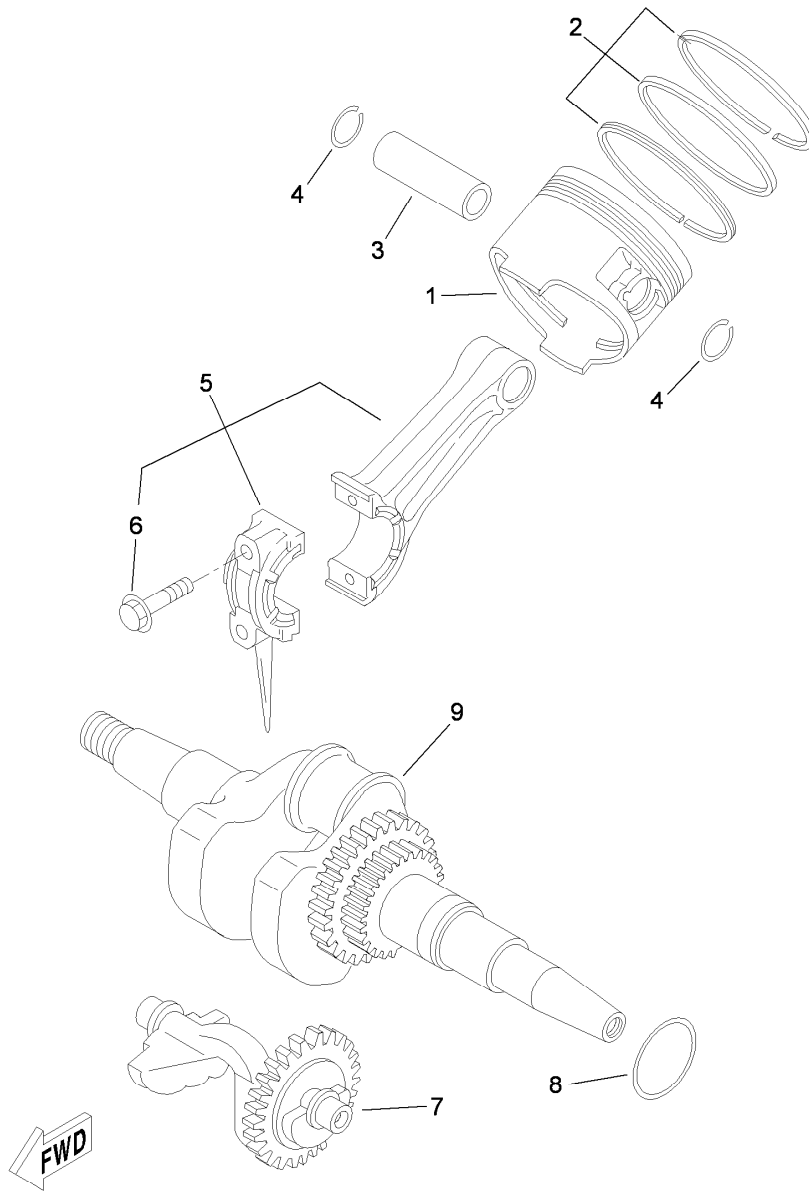
Ref.	Part Number	Qty.	Description
1	104-6845	1	Reservoir ASM
1:1	92-4112	1	Cap ASM
2	93-8971	2	Seal-Port, Flange
3	92-4103	1	Pin-Stop
4	92-4102	1	Secondary Piston ASM
5	92-4110	1	Clevis
6	21-0360	1	Nut-Hex
7	94-5209	1	Cover-Dust
8	94-5210	1	Rod-Push
9	92-4109	1	Ring-Snap
10	92-4108	1	Retainer-Washer
11	92-4101	1	Primary Piston ASM



## Cylinder Head Assembly

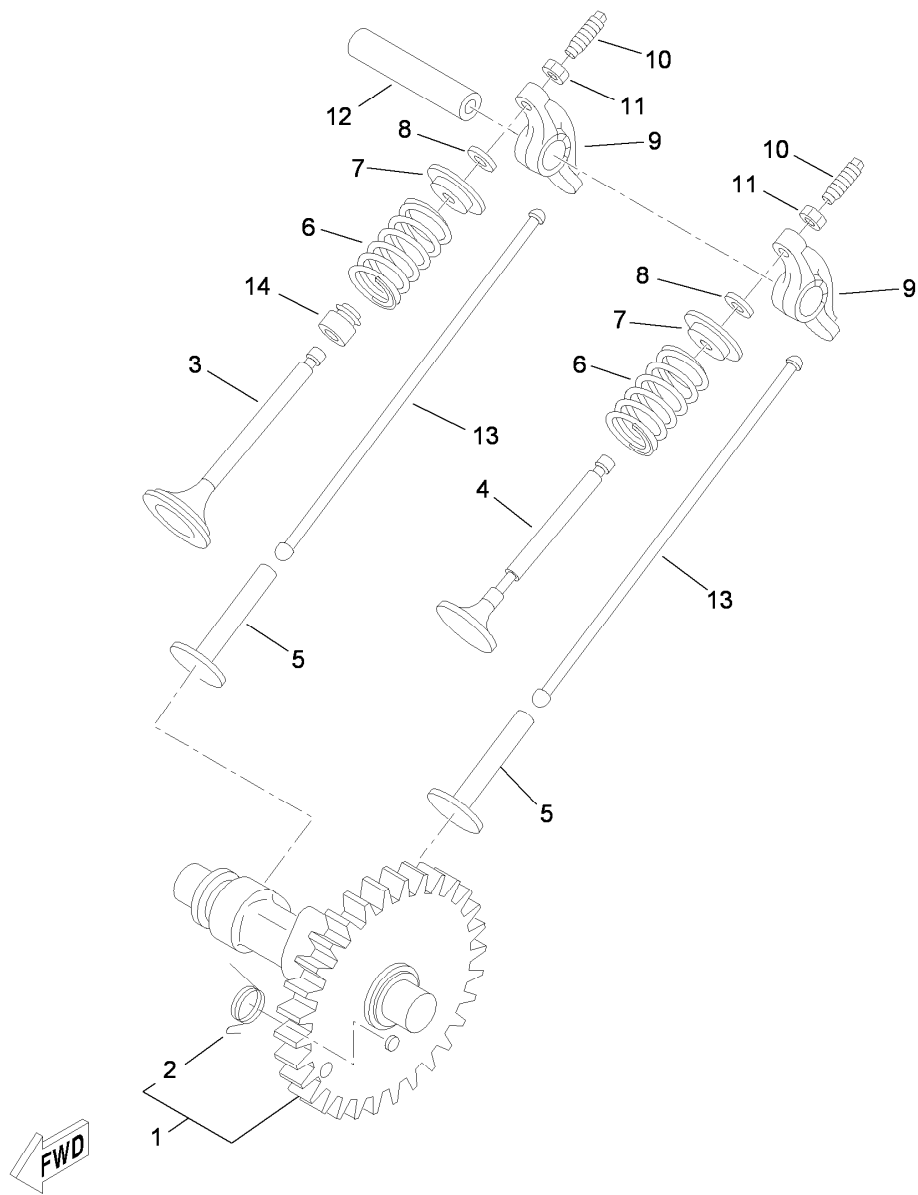
Ref.	Part Number	Qty.	Description
1	120-5600	1	Head-Cylinder
2	120-5601	1	Gasket-Head, Cylinder
3	120-5602	4	Bolt-Flange
4	120-5603	2	Pin-Dowel
5	120-5604	2	Bolt-Stud
6	120-5605	1	*obs* Sparkplug (Ngk Bpr4Es)
7	120-5606	1	Cover-Head, Cylinder
8	120-5607	1	Gasket-Cover, Head
9	120-5608	3	Bolt-Flange
10	120-5609	1	Bolt-Flange
11	120-5610	2	Bolt-Stud





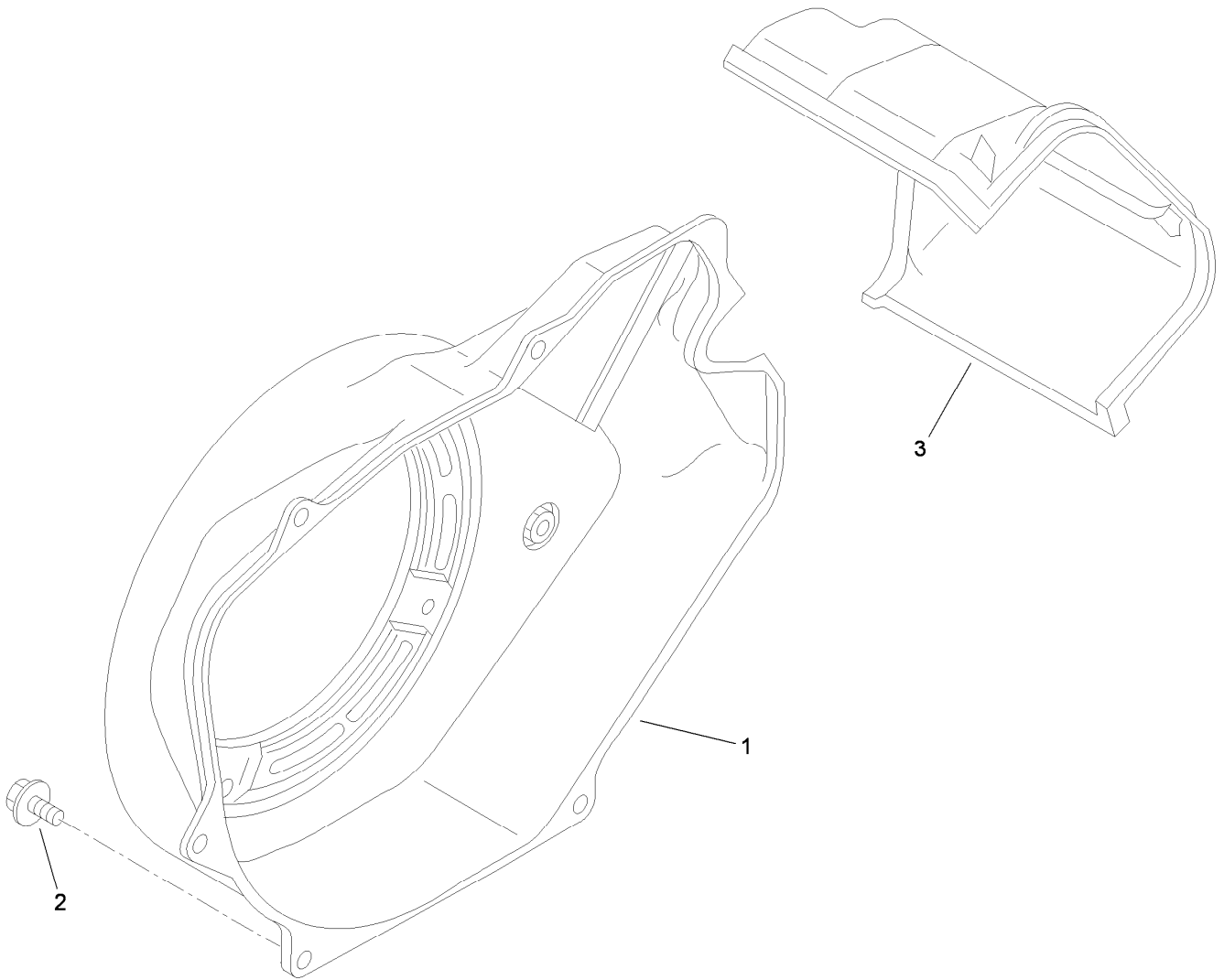
## Crankshaft and Piston Assembly

<i>Ref.</i>	<i>Part Number</i>	<i>Qty.</i>	<i>Description</i>
1	120-5614	1	Piston (0.50Mm O/S)
1	120-5613	1	Piston (0.25Mm O/S)
1	120-5612	1	Piston (STD)
2	120-5615	1	Piston Ring Set (STD)
2	120-5616	1	Piston Ring Set (0.25Mm O/S)
2	120-5617	1	Piston Ring Set (0.50Mm O/S)
3	120-5618	1	Pin-Piston
4	120-5619	2	Circlip
5	120-5620	1	Connecting Rod ASM
6	120-5621	2	Bolt- Rod, Connecting
7	120-5622	1	Weight
8	120-5623	1	Shim-Crank
9	120-5611	1	Crankshaft ASM



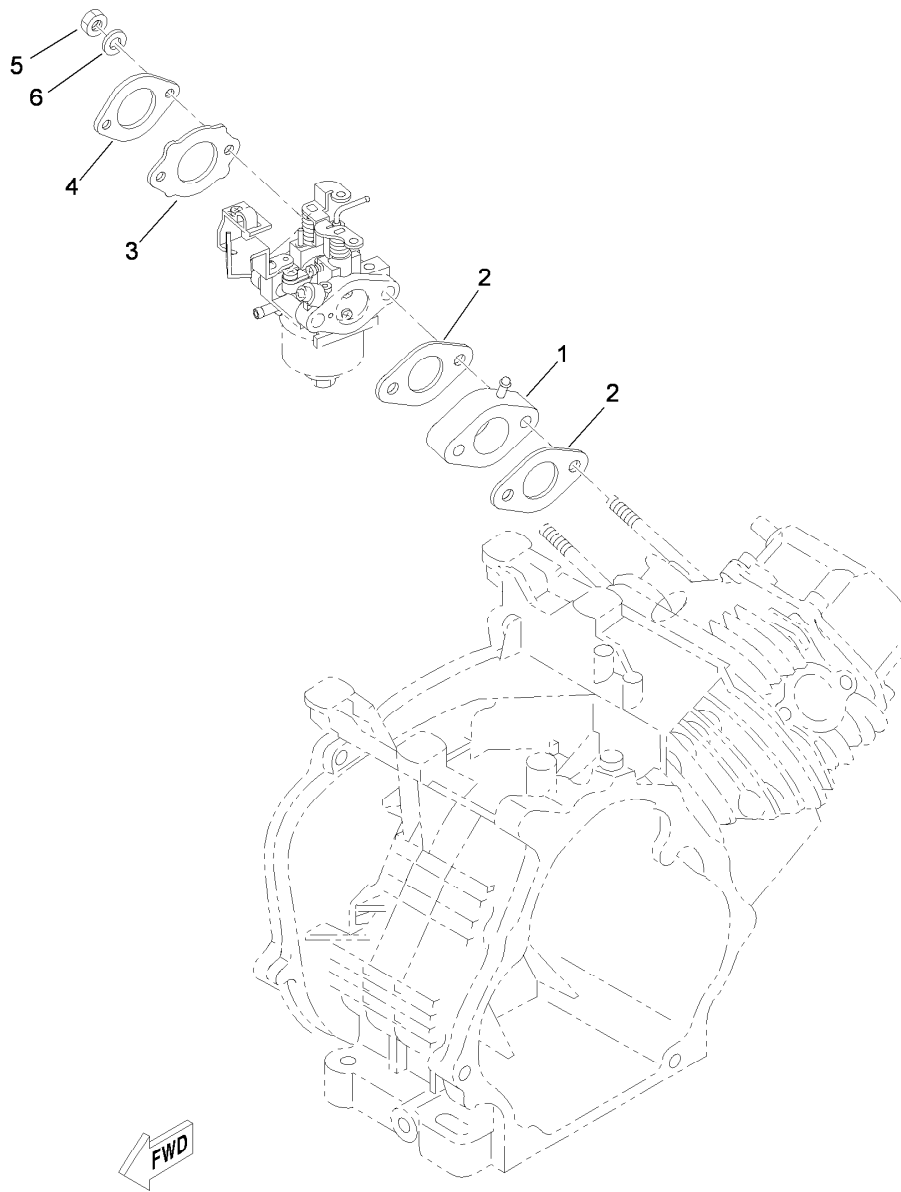
## Camshaft and Valve Assembly

Ref.	Part Number	Qty.	Description
1	120-5624	1	Camshaft ASM
2	120-5625	1	Spring-Decompression
3	120-5626	1	Valve-Intake
4	120-5627	1	Valve-Exhaust
5	120-5628	2	Lifter-Valve
6	120-5629	2	Spring-Compression
7	120-5630	2	Retainer-Spring, Valve
8	120-5631	2	Cotter-Valve
9	120-5632	2	Arm-Rocker, Valve
10	120-5633	2	Screw-Adjusting, Valve
11	120-5634	2	Nut
12	120-5635	1	Shaft-Rocker
13	120-5636	2	Rod-Push, Valve
14	120-5637	1	Seal-Stem, Valve



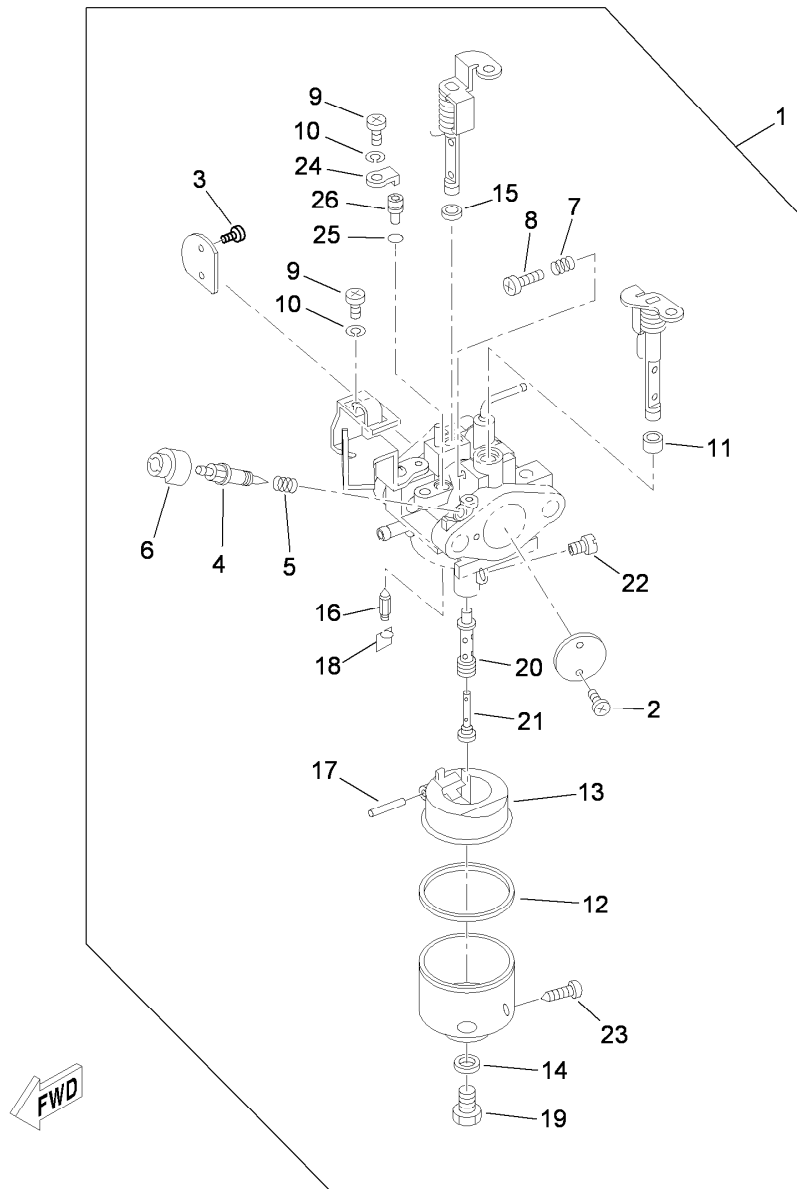
## Starter Air Shroud Assembly

<i>Ref.</i>	<i>Part Number</i>	<i>Qty.</i>	<i>Description</i>
1	120-5638	1	Case-Fan
2	120-5639	5	Bolt-Flange
3	120-5640	1	Shroud-Air, Cylinder



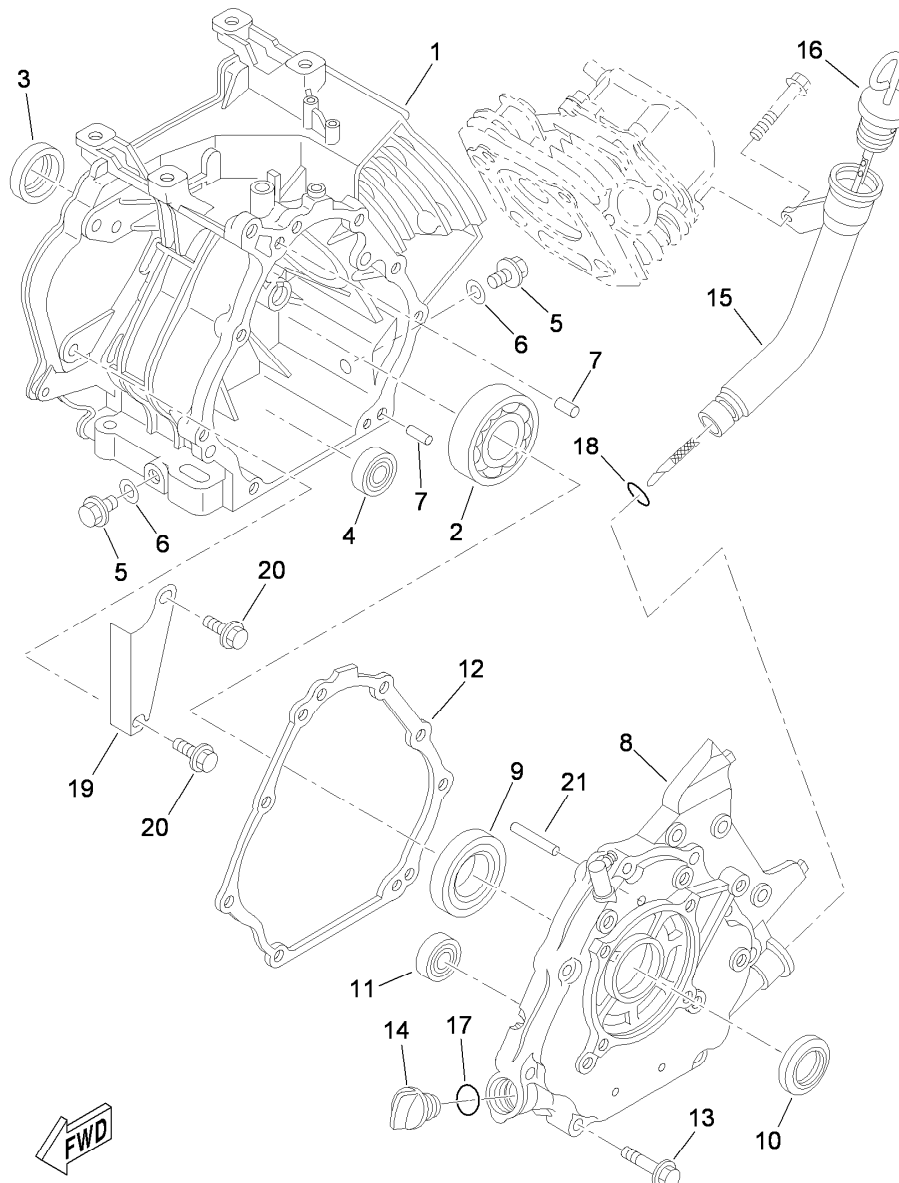
## Intake Assembly

<i>Ref.</i>	<i>Part Number</i>	<i>Qty.</i>	<i>Description</i>
1	120-5641	1	Joint-Carburetor
2	120-5642	2	Gasket
3	120-5643	1	Gasket
4	120-5644	1	Plate
5	120-5645	2	Nut
6	120-5646	2	Washer-Spring



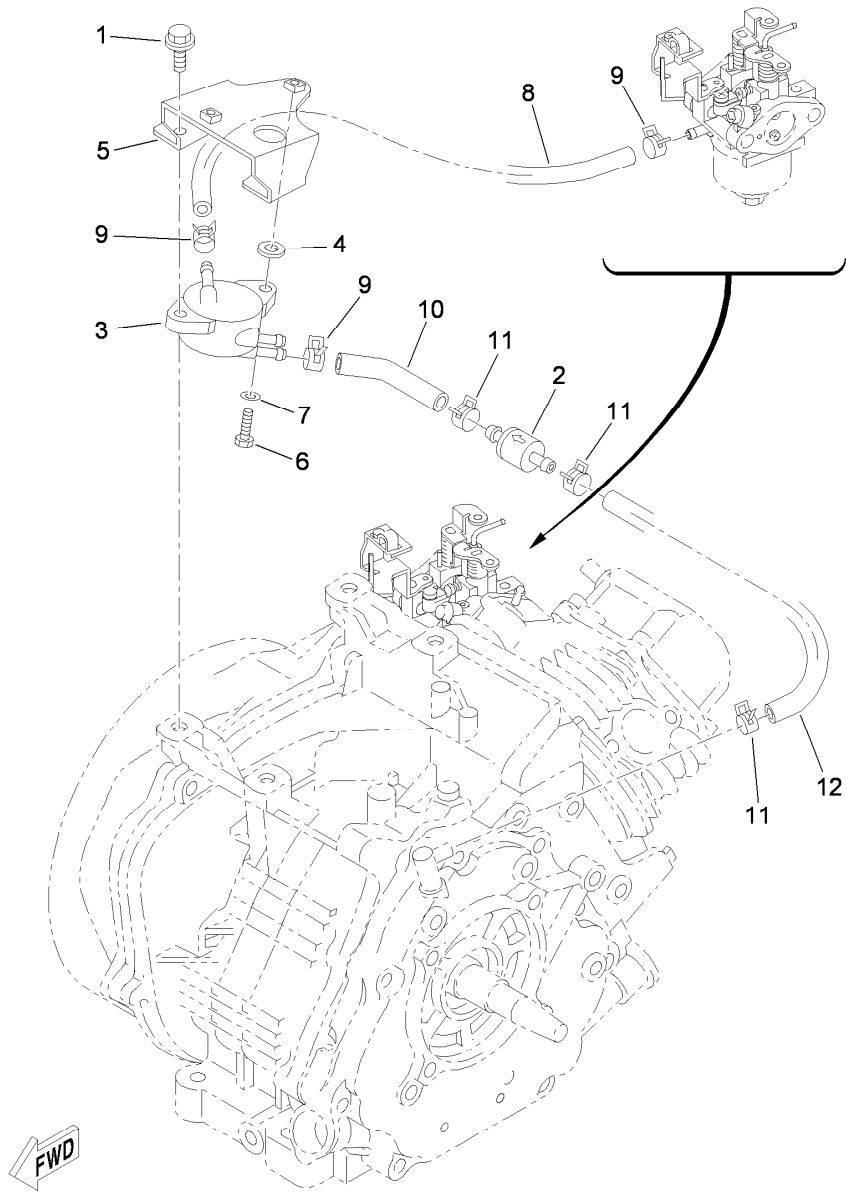
## Carburetor Assembly

Ref.	Part Number	Qty.	Description	Ref.	Part Number	Qty.	Description
1	120-5647	1	Carburetor ASM	14	120-5660	1	Gasket
2	120-5648	2	Screw	15	120-5661	1	Seal
3	120-5649	2	Screw-Rod	16	120-5662	1	Needle ASM
4	120-5650	1	Screw-Adjusting, Pilot	17	120-5663	1	Pin-Float
5	120-5651	1	Spring	18	120-5664	1	Clip
6	120-5652	1	Cap	19	120-5665	1	Bolt-Holding
7	120-5653	1	Spring	20	120-5666	1	Nozzle-Main
8	120-5654	1	Screw-Throttle	21	120-5667	1	Pipe-Bleed, Main
9	120-5655	2	Screw-SPH	22	120-5668	1	Jet-Main (115)
10	120-5656	2	Washer-Spring	23	120-5669	1	Plug-Drain
11	120-5657	1	Washer	24	120-5670	1	Plate
12	120-5658	1	Gasket-Chamber, Float	25	120-5671	1	O-Ring
13	120-5659	1	Float	26	120-5672	1	Jet-Pilot (53.8)



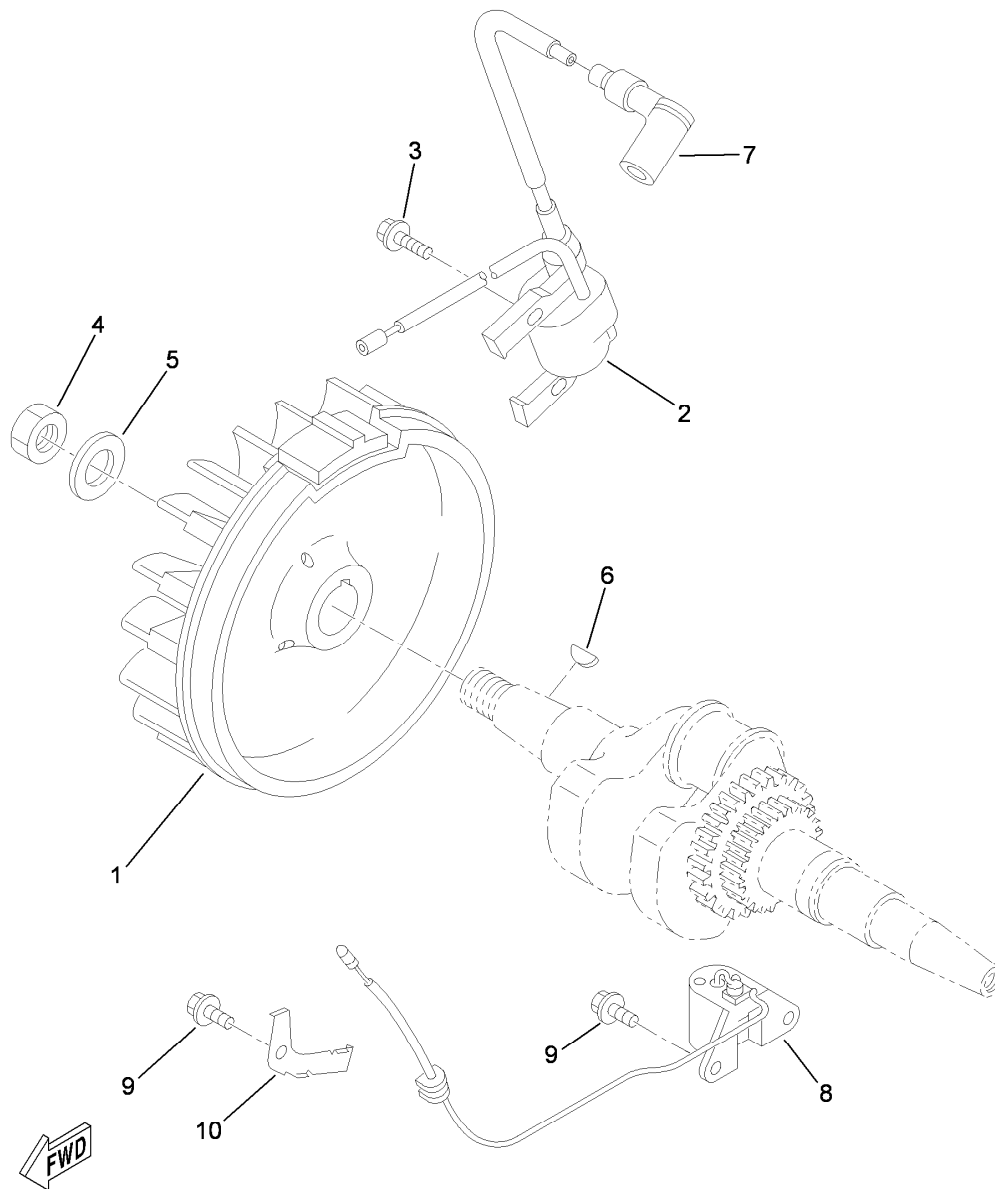
## Crankcase Assembly

<i>Ref.</i>	<i>Part Number</i>	<i>Qty.</i>	<i>Description</i>	<i>Ref.</i>	<i>Part Number</i>	<i>Qty.</i>	<i>Description</i>
1	120-5673	1	Crankcase	11	120-5677	1	Shaft-Flyweight
2	120-5674	1	Bearing	12	120-5686	1	Gasket-Cover, Crankcase
3	120-5675	1	Seal-Oil	13	120-5687	6	Bolt-Flange
4	120-5676	2	Bearing	14	120-5688	1	Plug-Oil
5	120-5678	2	Plug-Screw, Straight	15	120-5689	1	Pipe-Oil
6	120-5679	2	Gasket	16	120-5690	1	Gauge-Level
7	120-5680	2	Pin-Dowel	17	120-5691	1	O-Ring
8	120-5681	1	Cover-Crankcase	18	120-5692	1	O-Ring
9	120-5682	1	Bearing	19	120-5693	1	Plate-Baffle
10	120-5675	1	Seal-Oil	20	120-5694	2	Bolt-Flange
11	120-5676	1	Bearing	21	120-5677	1	Shaft-Flyweight



## Fuel Pump Assembly

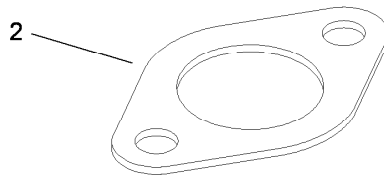
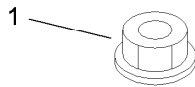
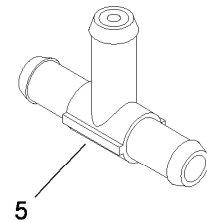
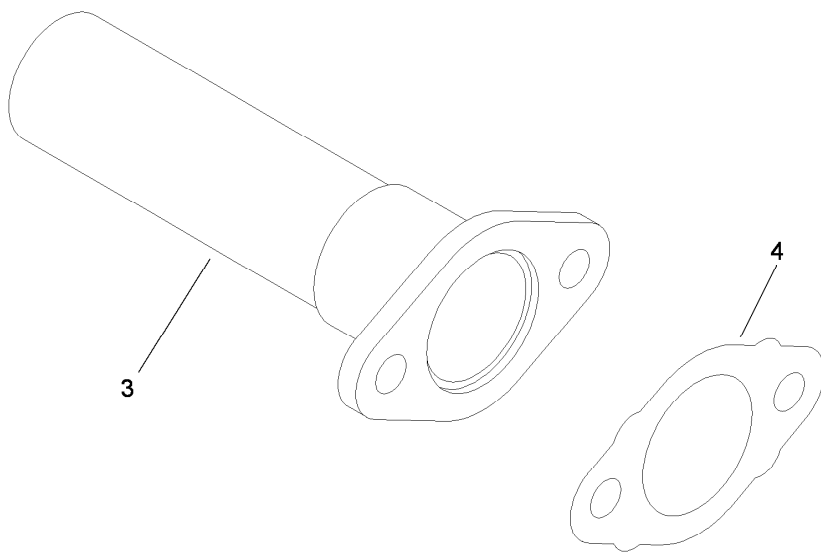
Ref.	Part Number	Qty.	Description
1	120-5695	2	Bolt-Flange
2	120-5696	1	Filter ASM
3	120-5697	1	Fuel Pump ASM
4	120-5698	2	Gasket
5	120-5699	1	Bracket-Pump, Fuel
6	120-5700	2	Bolt
7	120-5701	2	Washer-Plate
8	120-5702	1	Pipe-Fuel
9	120-5703	3	Clip
10	120-5704	1	Pipe-Breather
11	120-5705	3	Clip
12	120-5706	1	Hose



## Magneto Assembly

Ref.	Part Number	Qty.	Description
1	120-5707	1	Rotor ASM
2	120-5708	1	T.C.I. Unit ASM
3	120-5709	2	Bolt-Flange
4	120-5710	1	Nut
5	120-5711	1	Washer-Plate
6	120-5712	1	Key-Woodruff
7	120-5713	1	Plug Cap ASM
8	120-5714	1	Oil Level Gauge ASM
9	120-5715	3	Bolt-Flange
10	120-5716	1	Clamp





## Engine Gaskets and Fittings

<i>Ref.</i>	<i>Part Number</i>	<i>Qty.</i>	<i>Description</i>
1	119-9540	2	Nut-Hex, M8 (F/W)
2	119-9541	2	Gasket-Exhaust (F/W)
3	119-9542	1	Tube-Intake (F/W)
4	119-9543	1	Gasket-Intake (F/W)
5	119-9544	1	Tee-Emission, Evaporative (F/W)

# Attachments and Accessories

## For 07266TC Workman MD Utility Vehicle

<b>Product Name</b>	<b>Model/Part</b>
Roll-Over Protection System .....	07276
Receiver Hitch Kit .....	07278
Canopy Kit .....	07324
Solid Windshield Kit .....	07325
Folding Windshield Kit .....	07326
Snow Plow .....	07327
Hard Cab .....	07328
Heavy-Duty Bumper Kit .....	07329
Heavy-Duty Brush Guard and Bumper Kit .....	07338
Sliding Window Door Kit .....	07352
Fixed Window Door Kit .....	07353
Electric Bed Lift Kit, 2011 and After Workman MD/MDX/MDX-D Utility Vehicle .....	07381
Wheel-5 Bolt .....	104-6889
Tire-AT 489, 24x10.5-10 .....	104-7061
Tire-AT 489, 22x9.5-10 .....	104-7062
Lift Wire Harness Kit .....	115-7823
Backup Alarm Kit .....	115-7824
Replacement Front Spring Kit.....	117-4847
Tire And Wheel Asm .....	119-0751
Tapered Nozzle Kit, Pro Force Debris Blower .....	119-6280
Rectangular Nozzle Kit, Pro Force Debris Blower .....	119-6281
Nozzle-Extension, Straight .....	119-6282
Nozzle-Extension, Tapered.....	119-6283
Nozzle-Extension, Rectangular .....	119-6284
Side Mirror Kit .....	119-9546
Lanyard Kit, 2011 and After Workman MD Series Utility Vehicle.....	119-9590
Stake Pocket Adapter Kit, 2011 and After Workman MD Series Utility Vehicle.....	119-9604
Tie-Down Kit, 2011 and After Workman MD Series Utility Vehicle .....	119-9605
Bed Retrofit Kit, 2010 and Before Workman MD Series Utility Vehicle.....	119-9606
Battery Kit .....	119-9680
Road Light and Homologation Kit .....	120-5031
Brake and Signal Light Kit.....	120-5044
Pro Force Debris Blower.....	44538
Road-Ready Pro Force Debris Blower.....	44539
Bed Mount Kit, Pro Force Debris Blower.....	44543
Bed Mount Sound Barrier Kit, Pro Force Debris Blower .....	44546
Spark Arrestor Screen .....	94-8157

**Notes:**



**Count on it.**