



Count on it.

Parts Catalog

**Workman® HDX-D 4-Wheel Drive
Utility Vehicle with Bed**

Model No. 07371—Serial No. 313000001 and Up



Ordering Replacement Parts

To order replacement parts, please supply the part number, the quantity, and the description of each part desired.

Understanding Reference Numbers

Each identified part in an illustration has a reference number. The reference number for a part also appears in the parts list, along with other information about the part.

This catalog uses two special reference number formats, one to indicate parts in a service assembly and another to indicate the quantity of a given part in an illustration.

Service Assembly Reference Numbers

Parts in service assemblies have reference numbers in the form a:b. The a represents the reference number of the entire service assembly and the b represents a sequential number unique to each part within the service assembly.

For example, a wheel assembly might be identified by reference number 6, the tire by 6:1, the valve by 6:2, and the wheel by 6:3. When you order the assembly identified by reference number 6, you receive all parts identified by reference numbers 6:1, 6:2, and 6:3. However, you may also order any part individually. Reference numbers of this type appear in illustration and in parts lists.

Reference Numbers Indicating Quantity

In an illustration, if a reference number indicates more than one part, the reference number has the form nX y. The n represents the quantity of the part, the X is the multiplication symbol, and the y represents the reference number.

For example, in an illustration, the reference number 2X 37 means that two of the parts identified by reference number 37 are indicated.

List of Abbreviations

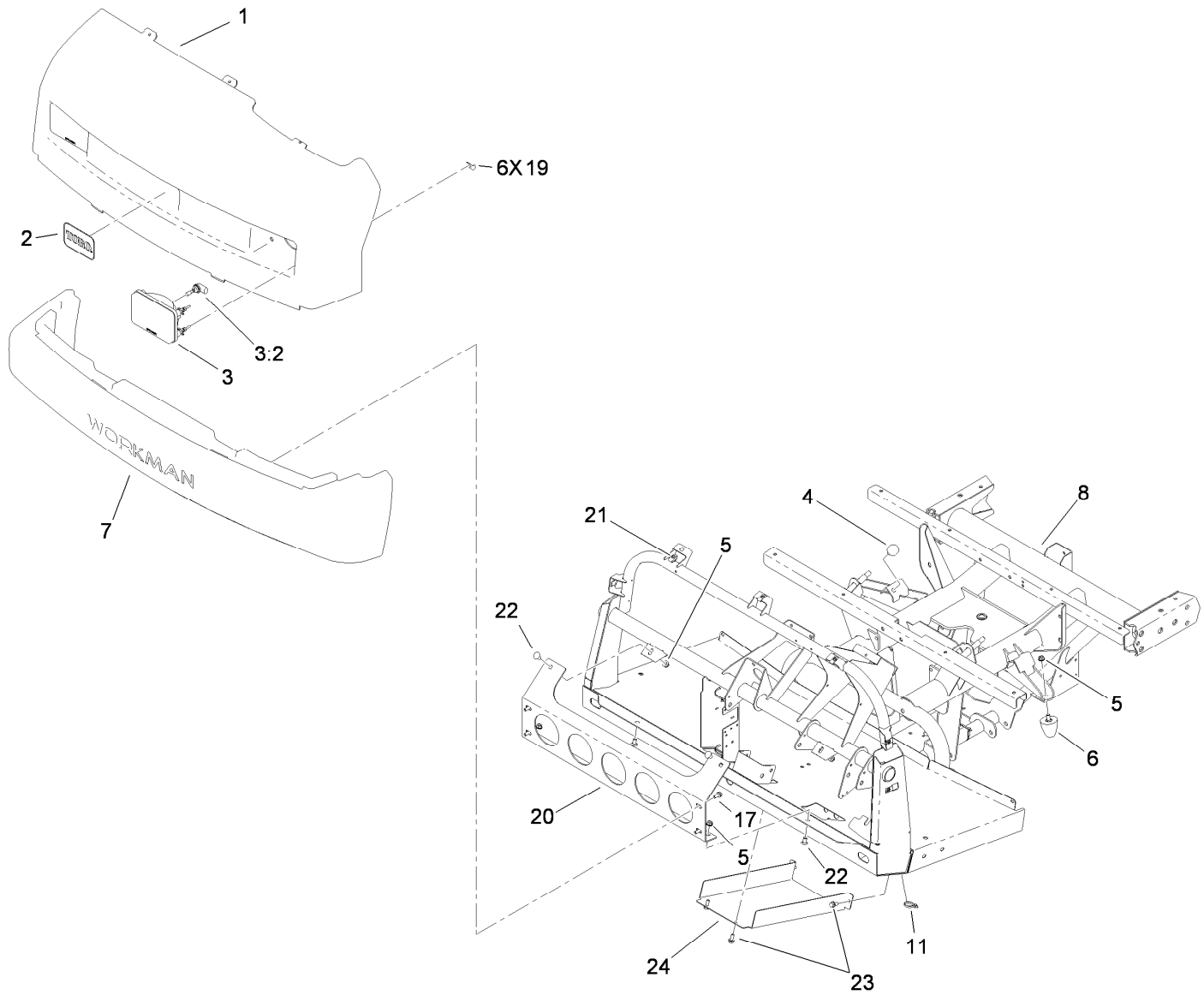
AR: as required	HLH: hex lag head	PTO: power-take-off
ASM: assembly	HOC: height-of-cut	RH: right hand
BBC: blade brake control	HSBH: hex socket button head	ROPS: roll-over protection system
BHTF: button head thread forming	HSFH: hex socket flat head	RRB: rear roller brush
CARR: carriage	HSH: hex socket head	SFH: slotted fillister head
CCW: counter clockwise	HWH: hex washer head	SHH: slotted hex head
CW: clockwise	HWHTF: hex washer head thread forming	SHWH: slotted hex washer head
DEG: degrees	HYD: hydraulic	SPH: slotted pan head
DPA: Dual Point Adjustment	LH: left hand	SQH: square head
ECM: electronic control module	LP: Liquefied Petroleum Gas	SRH: slotted round head
EXT: external	LPG: Liquefied Petroleum Gas	STD: standard
FH: flat head	NI: nylon insert	TAP: self tapping
GA: gauge	NPTF: national pipe thread fine	TTH: torx truss head
HD: heavy-duty	PFH: phillips flat head	
HF: hex flange	PPH: phillips pan head	
HH: hex head	PPHTF: phillips pan head thread forming	
HHF: hex head flange	PRH: phillips round head	
HHFTF: hex head flange thread forming	PTH: phillips truss head	
HJ: hex jam		

Contents

Hood and Bumper Assembly	5
Dash Assembly	6
Pedal Assembly	8
Master Cylinder Assembly No. 104-6782	9
Hydraulic Brake Line Assembly	10
Clutch Linkage Assembly	11
Shroud and Seat Assembly	12
Console Assembly	14
Shift Assembly No. 106-7887	16
Steering Hydraulic Assembly	17
Steering Valve Assembly No. 120-4813	18
Lift Valve and Hydraulic Assembly	19
Control Valve Assembly No. 43-1950	21
Hydraulic Cylinder Assembly No. 106-7939	22
Front Wheel Assembly	23
Brake Caliper Assembly No. 119-9535	24
Hydraulic Cylinder Assembly No. 120-5059	25
Steering Linkage Assembly	26
Front Suspension Assembly	27
Front Control Arm Assembly	28
Rear Frame Assembly	29
Rear Axle Assembly	30
Driveshaft Assembly No. 114-8367	31
Transaxle Assembly	32
Case Assembly 4 Wheel Drive Transaxle Assembly No. 115-2175	33
Center Plate Assembly 4 Wheel Drive Transaxle Assembly No. 115-2175	34
Main Shaft Assembly 4 Wheel Drive Transaxle Assembly No. 115-2175	35
Reduction Shaft Assembly 4 Wheel Drive Transaxle Assembly No. 115-2175	36
Reverse Shaft Assembly 4 Wheel Drive Transaxle Assembly No. 115-2175	37
Main Shift Assembly 4 Wheel Drive Transaxle Assembly No. 115-2175	38
Hi-Lo Shift Assembly 4 Wheel Drive Transaxle Assembly No. 115-2175	39
Countershaft Assembly 4 Wheel Drive Transaxle Assembly No. 115-2175	40
Differential Gear Assembly 4 Wheel Drive Transaxle Assembly No. 115-2175	41
Differential Carrier Assembly 4 Wheel Drive Transaxle Assembly No. 115-2175	42
Differential Lock Assembly 4 Wheel Drive Transaxle Assembly No. 115-2175	43
Axle Shaft Assembly 4 Wheel Drive Transaxle Assembly No. 115-2175	44
Front Drive Assembly 4 Wheel Drive Transaxle Assembly No. 115-2175	45
Battery Assembly	46
Tail Light and Fender Assembly	47
Roll-Over Protection System Assembly	48
Air Cleaner Assembly	49
Air Cleaner Assembly No. 106-2416	50
Cooling System Assembly	51
Radiator Assembly	52
Engine Support Assembly	53
Hydraulic Gear Pump Assembly No. 114-8302	54
Relay Assembly	55
Engine Assembly	56
Fuel System Assembly	57
4 Wheel Drive Assembly	58
Differential Assembly No. 119-0824	59
Drive Shaft Assembly No. 115-2171	60
Full Bed and Side Panel Assembly	61
Cylinder Assembly	62

Contents (continued)

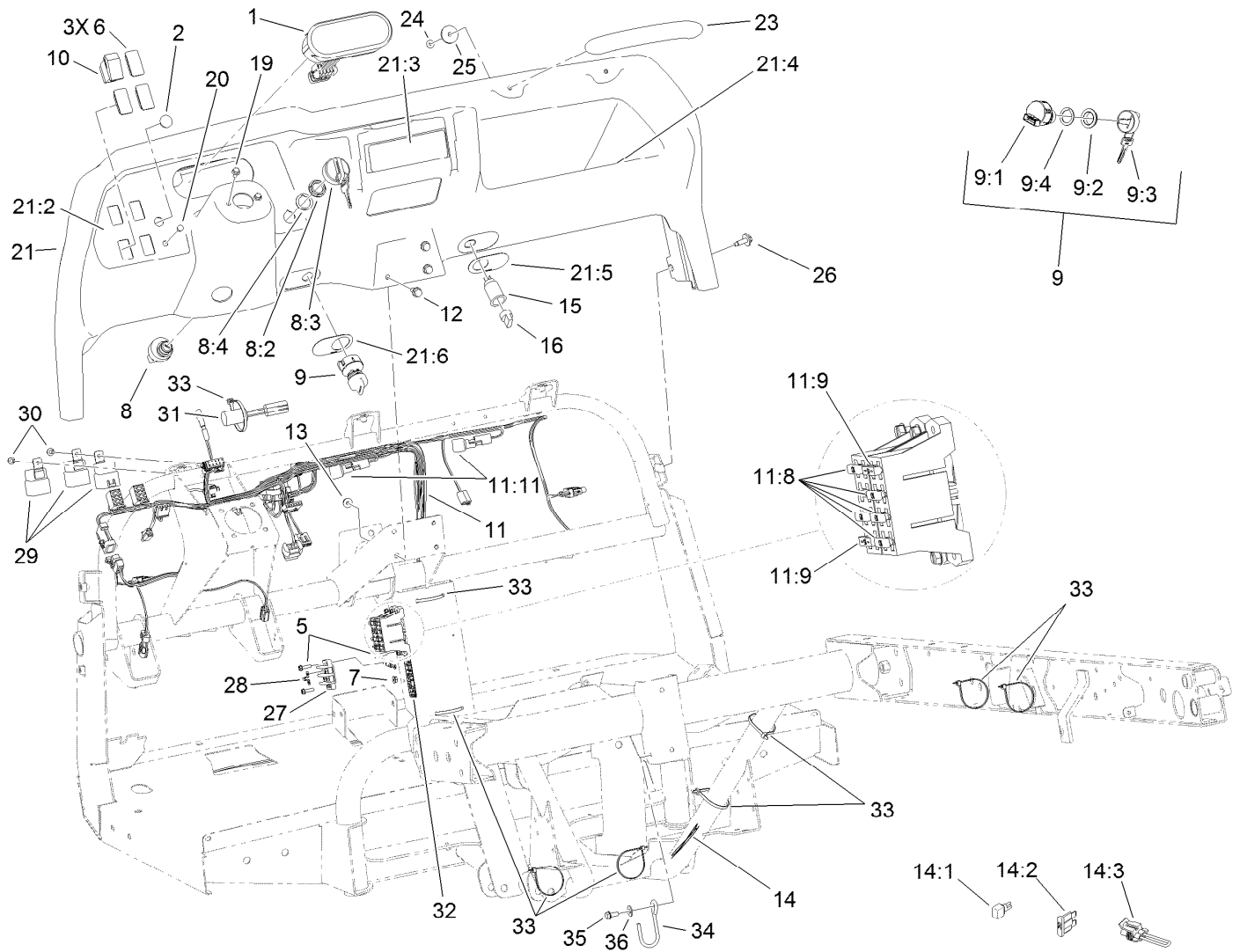
Crankshaft Assembly	63
Cylinder Head Assembly	64
Injection Pump Assembly	65
Camshaft Assembly	66
Oil Pan Assembly	67
Gear Cover Assembly	68
Gear Housing Assembly	69
Water Pump Assembly	70
Manifold Assembly	71
Starter Motor and Alternator Assembly	72
Engine Gasket Set	73
Attachments and Accessories	74



Hood and Bumper Assembly

Ref.	Part Number	Qty.	Description
1	112-3183	1	Hood
2	117-4950	1	Decal
3	114-8322	2	Headlight
3:2	115-2395	1	Light Bulb ASM
4	87-2440	2	Bumper-Rubber
5	3290-357	6	Nut-HHF, Whiz
6	26-0071	2	Snubber-Rubber
7	112-3185	1	Bumper
8	119-0949-03	1	Front Frame ASM

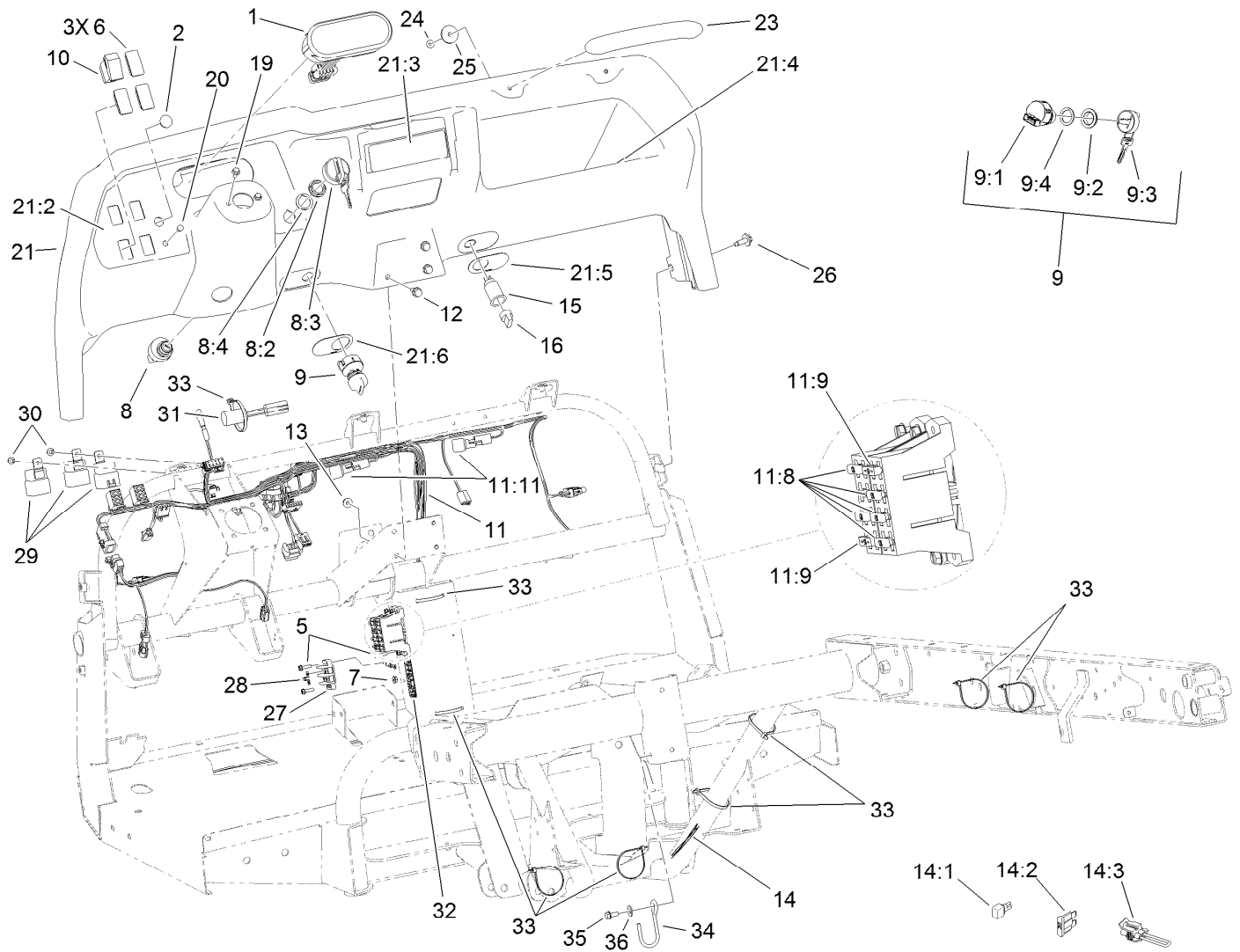
Ref.	Part Number	Qty.	Description
11	3290-379	1	Tie-Cable
17	3234-5	4	Screw-HHF
19	114-8341	6	Clip
20	114-8272-03	1	Bracket-Bumper
21	94-2413	7	U-Nut
22	3231-21	4	Screw-CARR
23	32144-11	4	Screw-HWHTF
24	106-2427-03	1	Cover



Dash Assembly

Ref.	Part Number	Qty.	Description	Ref.	Part Number	Qty.	Description
1	120-4801	1	Cluster-Instrument (L/C)	11:11	100-4918	2	Diode
2	94-5627	1	Plug	12	3234-5	3	Screw-HHF
5	32105-13	6	Screw-HWH	13	104-8300	3	Nut-Flange, NI
6	99-7420	3	Plug-Hole	14	114-8378	1	Harness-Wire, Rear
7	3290-148	6	Nut-HF	14:1	100-4918	2	Diode
8	106-5269	1	Ignition Switch ASM	14:2	109103	1	Fuse-Blade, 30 Amp
8:2	108-8660	1	Nut-Mounting	14:3	119-7787	1	Harness-Wire, Vertical Lift Shunt
8:3	106-5270	1	Ignition Key Set	15	99-7411	1	Point-Power
8:4	108-8659	1	Washer-Backup	16	99-7416	1	Cap
9	110-2580	1	Switch-Key, Supervisor	19	33103-012	2	Screw-HHF
9:1		1	Switch-Key ●	20	104-9368	1	Plug-Dome
9:2	108-8660	1	Nut-Mounting	21	115-7912	1	Dash ASM
9:3	110-5221	1	Set-Key, Supervisor	21:2	115-2281	1	Decal-Dash
9:4	108-8659	1	Washer-Backup	21:3	115-7746	1	Decal-Danger
10	95-8999	1	Switch	21:4	115-2282	1	Decal-Warning, Dash
11	120-3990	1	Harness-Wire, Front	21:5	106-2353	1	Decal-Powerpoint
11:8	218-578	5	Fuse-Blade, 10 Amp	21:6	106-2355	1	Decal-Switch, Supervisor
11:9	109355	2	Fuse-Blade, 15 Amp				

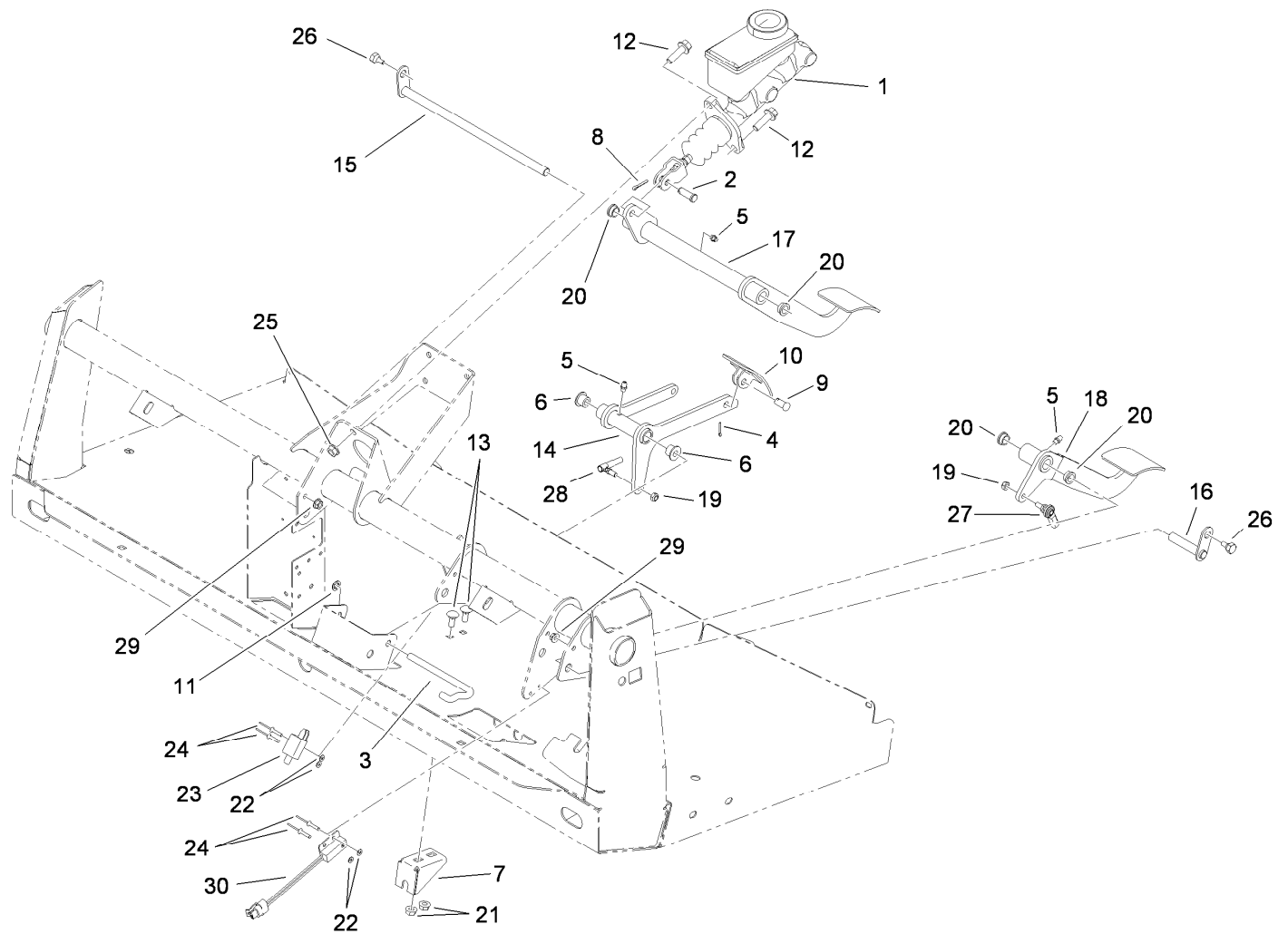
● Not serviced separately



Dash Assembly (continued)

Ref.	Part Number	Qty.	Description	Ref.	Part Number	Qty.	Description
23	117-4948	1	Handle-Grab	30	32144-10	2	Screw-HWH
24	104-7201	2	Nut-HF	31	83-2280	1	Timer-Delay
25	103995	2	Washer	32	115-7813	1	Decal-Fuse
26	114-8418	7	Screw-HWH, Sems	33	3290-379	9	Tie-Cable
27	42862	1	Block-Terminal, Ground	34	117-4860	1	Guide-Cable
28	42863	1	Strip-Jumper	35	32144-11	1	Screw-HWHTF
29	99-7430	3	Relay	36	3256-71	1	Washer-Flat

● Not serviced separately



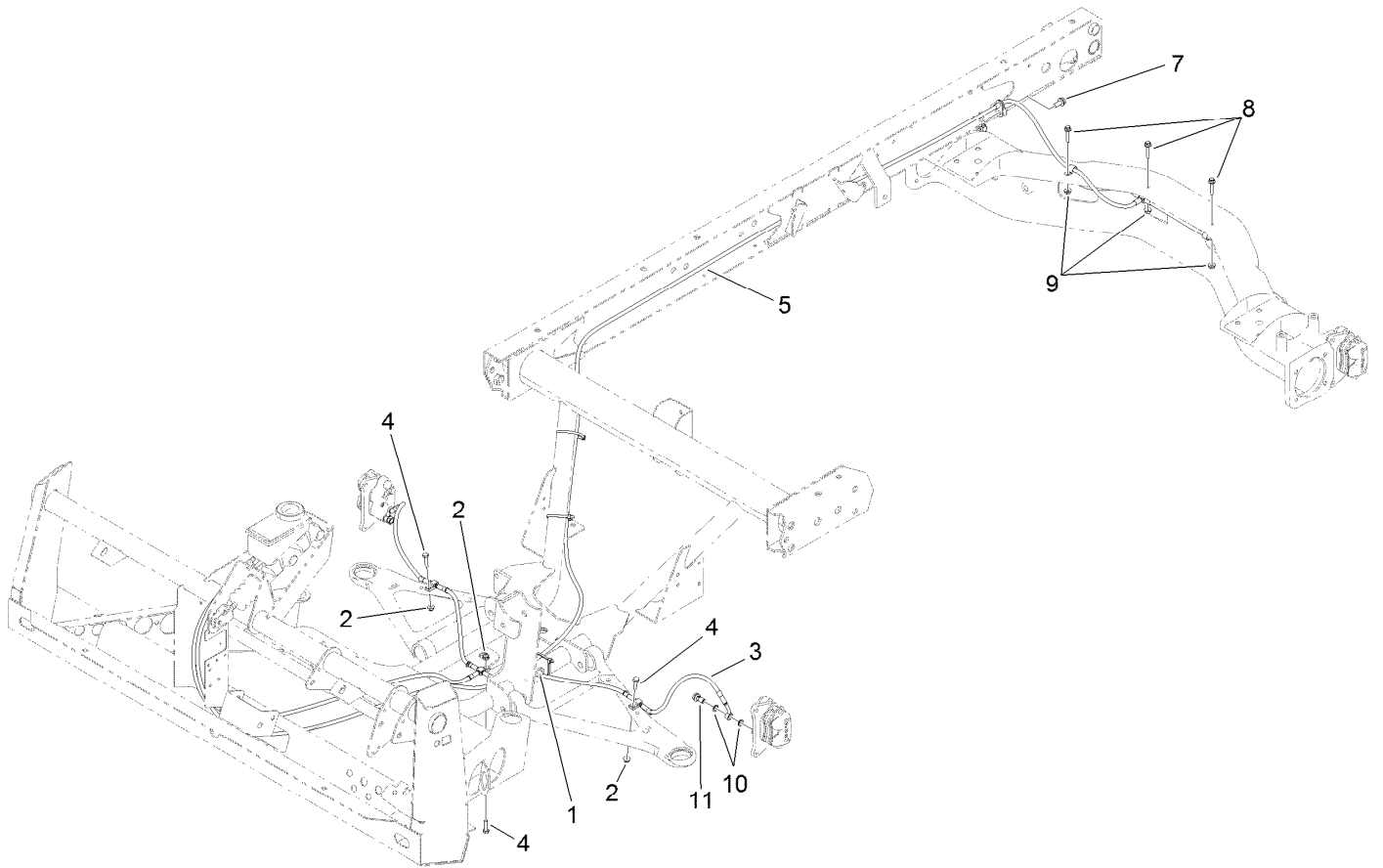
Pedal Assembly

Ref.	Part Number	Qty.	Description	Ref.	Part Number	Qty.	Description
1	104-6782	1	Cylinder-Master	16	115-2269	1	Clutch Pivot Pin ASM
2	283-2	1	Pin-Clevis	17	115-2275-03	1	Brake Pedal ASM
3	87-2880	1	Shaft-Pedal, Accelerator	18	115-2271-03	1	Clutch Pedal ASM
4	3272-6	1	Pin-Cotter	19	3296-13	2	Nut-Lock, NI
5	302-5	3	Fitting-Grease	20	256-156	4	Bushing-Flange
6	256-259	2	Bushing-Flange	21	32128-20	2	Nut-HF
7	106-2421	1	Bracket-Mount, Cable	22	3256-21	4	Washer-Flat
8	3272-10	1	Pin-Cotter	23	95-1653	1	Switch-Pole, Single
9	283-85	1	Pin-Clevis	24	3269-25	4	Rivet-Pop
10	93-8969-03	1	Pedal	25	3290-357	2	Nut-HHF, Whiz
11	32151-56	1	Ring-Retaining, External	26	63-3410	2	Screw-Shoulder
12	3234-11	2	Screw-HHF	27	110-2554	1	Rod End-Spherical
13	3230-1	2	Bolt-CARR	28	18-1720	1	Governor Ball Joint ASM
14	106-2471-03	1	Arm-Pedal, Accelerator	29	32128-33	2	Nut-HF
15	106-2475	1	Brake Shaft ASM	30	105-0023	1	Switch-Proximity



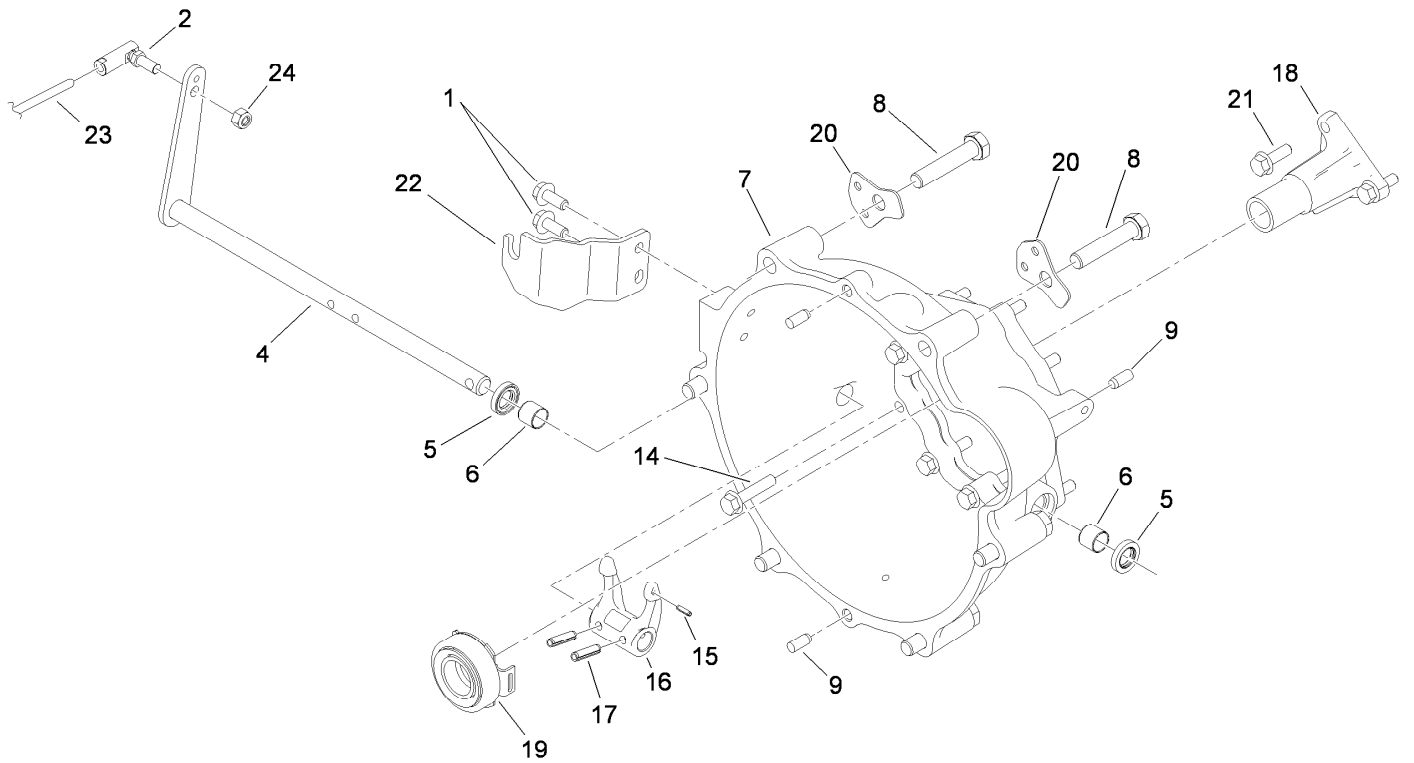
Master Cylinder Assembly No. 104-6782

Ref.	Part Number	Qty.	Description
1	104-6845	1	Reservoir ASM
1:1	92-4112	1	Cap ASM
2	93-8971	2	Seal-Port, Flange
3	92-4103	1	Pin-Stop
4	92-4102	1	Secondary Piston ASM
5	92-4110	1	Clevis
6	21-0360	1	Nut-Hex
7	94-5209	1	Cover-Dust
8	94-5210	1	Rod-Push
9	92-4109	1	Ring-Snap
10	92-4108	1	Retainer-Washer
11	92-4101	1	Primary Piston ASM



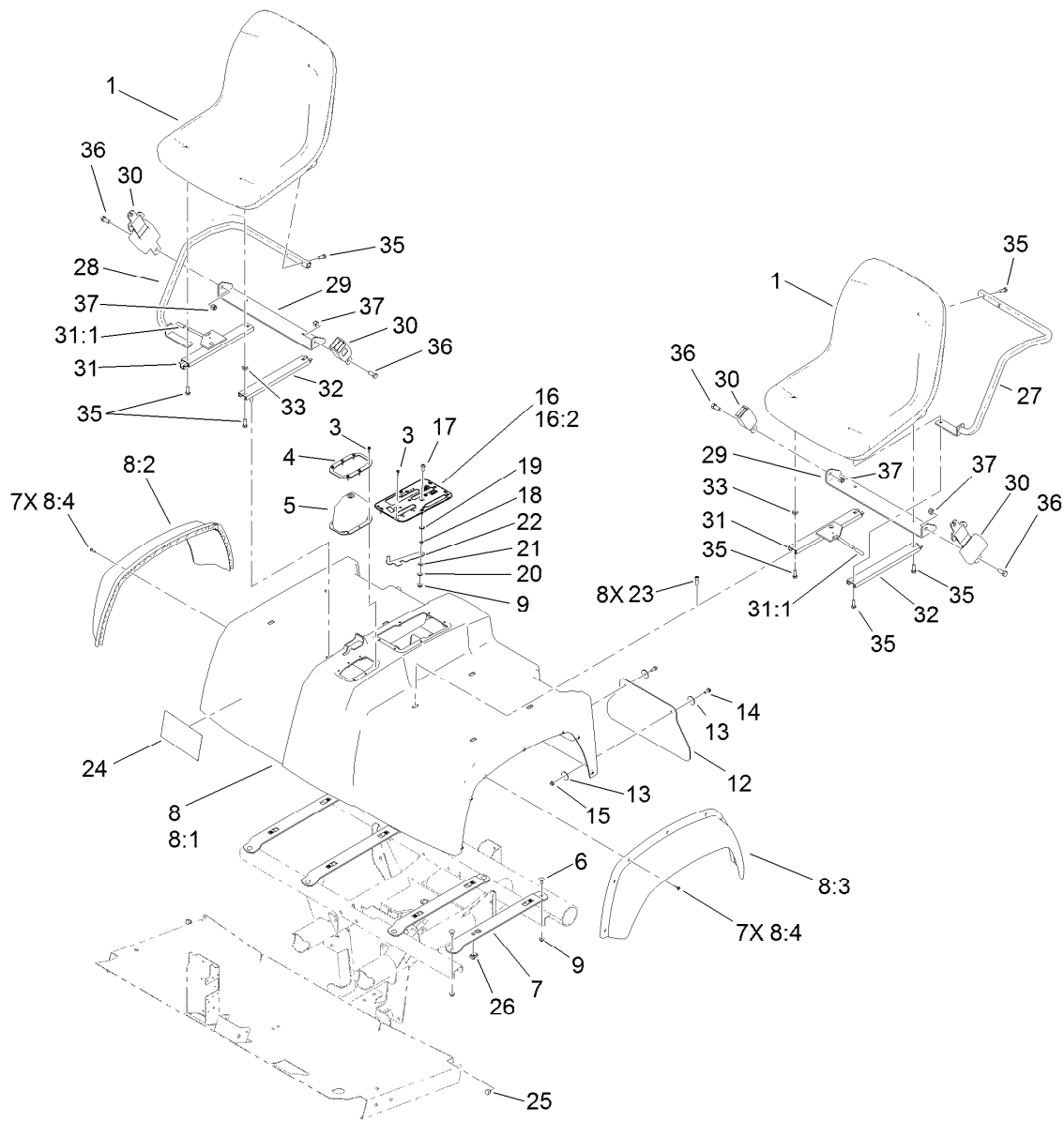
Hydraulic Brake Line Assembly

<i>Ref.</i>	<i>Part Number</i>	<i>Qty.</i>	<i>Description</i>
1	32180-030	2	Clip-Harness W/Cable Tie
2	104-7201	3	Nut-HF
3	119-9682	1	Front Brake Line ASM
4	321-6	3	Screw-HH
5	119-9681	1	Rear Brake Line ASM
7	32144-11	1	Screw-HWHTF
8	3234-21	3	Screw-HHF
9	32128-33	3	Nut-HF
10	115-2341	8	Washer-Banjo
11	120-4875	4	Bolt-Flange, Banjo



Clutch Linkage Assembly

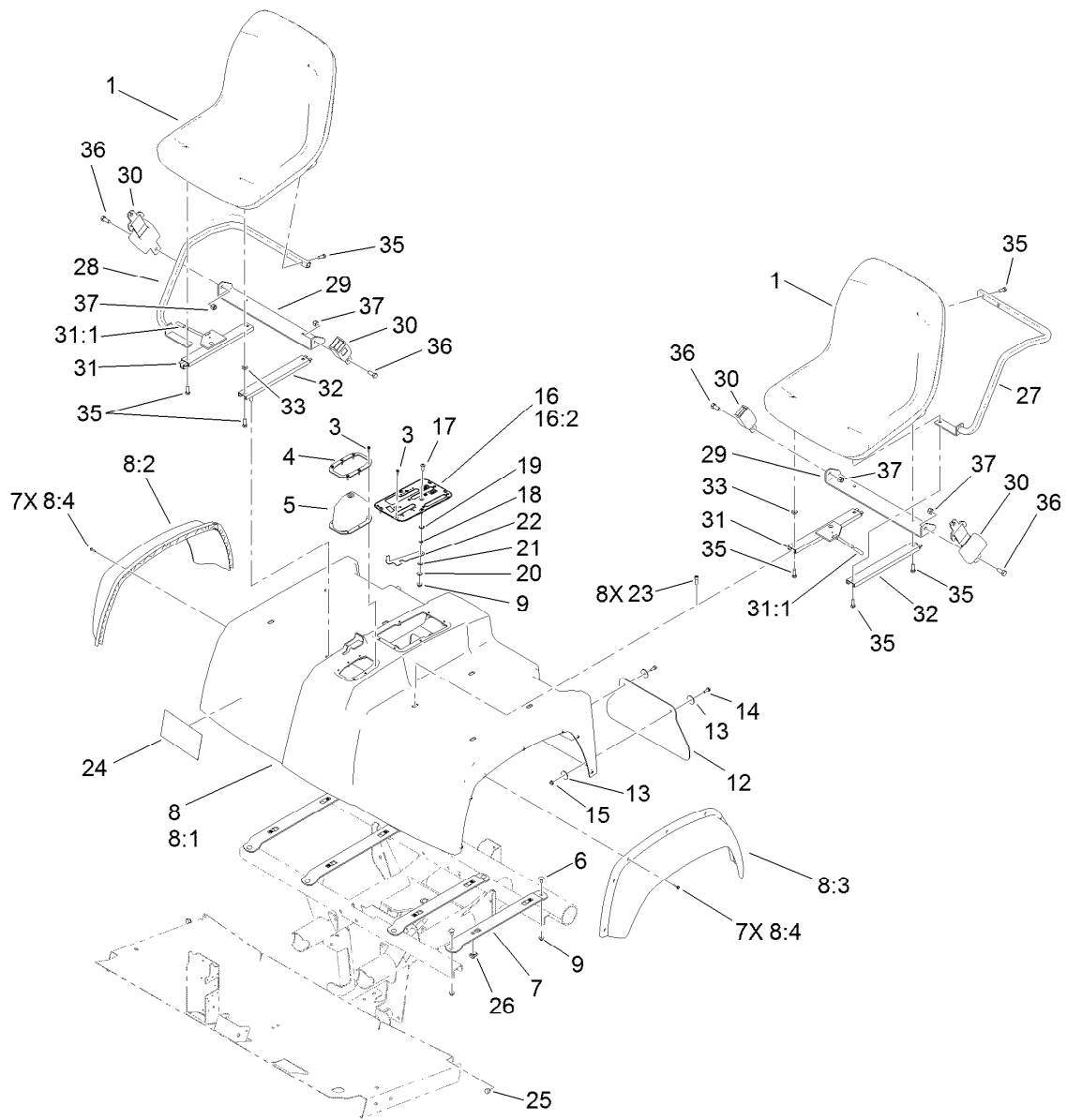
<i>Ref.</i>	<i>Part Number</i>	<i>Qty.</i>	<i>Description</i>	<i>Ref.</i>	<i>Part Number</i>	<i>Qty.</i>	<i>Description</i>
1	98-7977	2	Screw-HHF	16	87-5300	1	Fork-Clutch
2	2411-33	1	Balljoint-RH (W/Grommet)	17	32121-24	2	Pin-Spring
4	115-2311	1	Clutch Lever ASM	18	115-2259	1	Guide-Release
5	87-1920	2	Seal-Oil	19	110-2538	1	Bearing-Release, Clutch
6	87-3770	2	Bushing-Housing, Bell	20	115-2247	2	Bracket-Harness
7	104-9249	1	Housing-Bell	21	33104-025	3	Screw-HHF
8	3215-2	6	Screw-HH	22	115-2313	1	Bracket-Cable, Clutch
9	87-1910	4	Pin-Dowel	23	115-2284	1	Cable-Clutch
14	33104-040	9	Screw-HHF	24	3296-4	1	Nut-Lock
15	32121-7	1	Pin-Roll, Slotted				



Shroud and Seat Assembly

Ref.	Part Number	Qty.	Description	Ref.	Part Number	Qty.	Description
1	112-2923	2	Seat ASM	17	3274-55	1	Screw-HSBH
3	98-1375	12	Screw-HWH	18	82-4240	1	Spacer-Bearing
4	87-3760-03	1	Plate-Boot, Shift	19	94-8196	1	Washer-Nylon
5	87-8620	1	Shift Boot ASM	20	3290-221	1	Washer-Spring
6	3230-1	8	Bolt-CARR	21	3256-23	1	Washer-Flat
7	115-2435-03	4	Bracket-Seat	22	106-7984	1	Lever-Detent
8		1	Seat Base ASM ●	23	3274-22	8	Screw-HSH
8:1	114-8406	1	Base-Seat	24	115-7814	1	Decal-Reference, Quick
8:2	114-8407	1	Fender-Front, RH	25	107-8042	2	Bumper-Rubber
8:3	114-8408	1	Fender-Front, LH	26	115-7721	8	Nut-Clip, U
8:4	117-5036	14	Screw-HWH	27	119-0731-03	1	Armrest-LH
9	104-8300	9	Nut-Flange, NI	28	119-0732-03	1	Armrest-RH
12	106-2378	2	Mudflap	29	119-0727-03	2	Bracket-Seat Belt
13	3256-55	8	Washer-Flat	30	110-0413	2	Seatbelt-Retractable
14	3234-4	4	Screw-HHF	31	121-9763	2	Seat Adjuster-Locking
15	104-7201	4	Nut-HF	31:1	2410-49	1	Cap-Vinyl
16	106-7886	1	Control Plate ASM	32	119-0655	2	Adjuster-Seat, Non Locking
16:2	106-2377	1	Decal-Console	33	104-7658	2	Spacer

● Not serviced separately

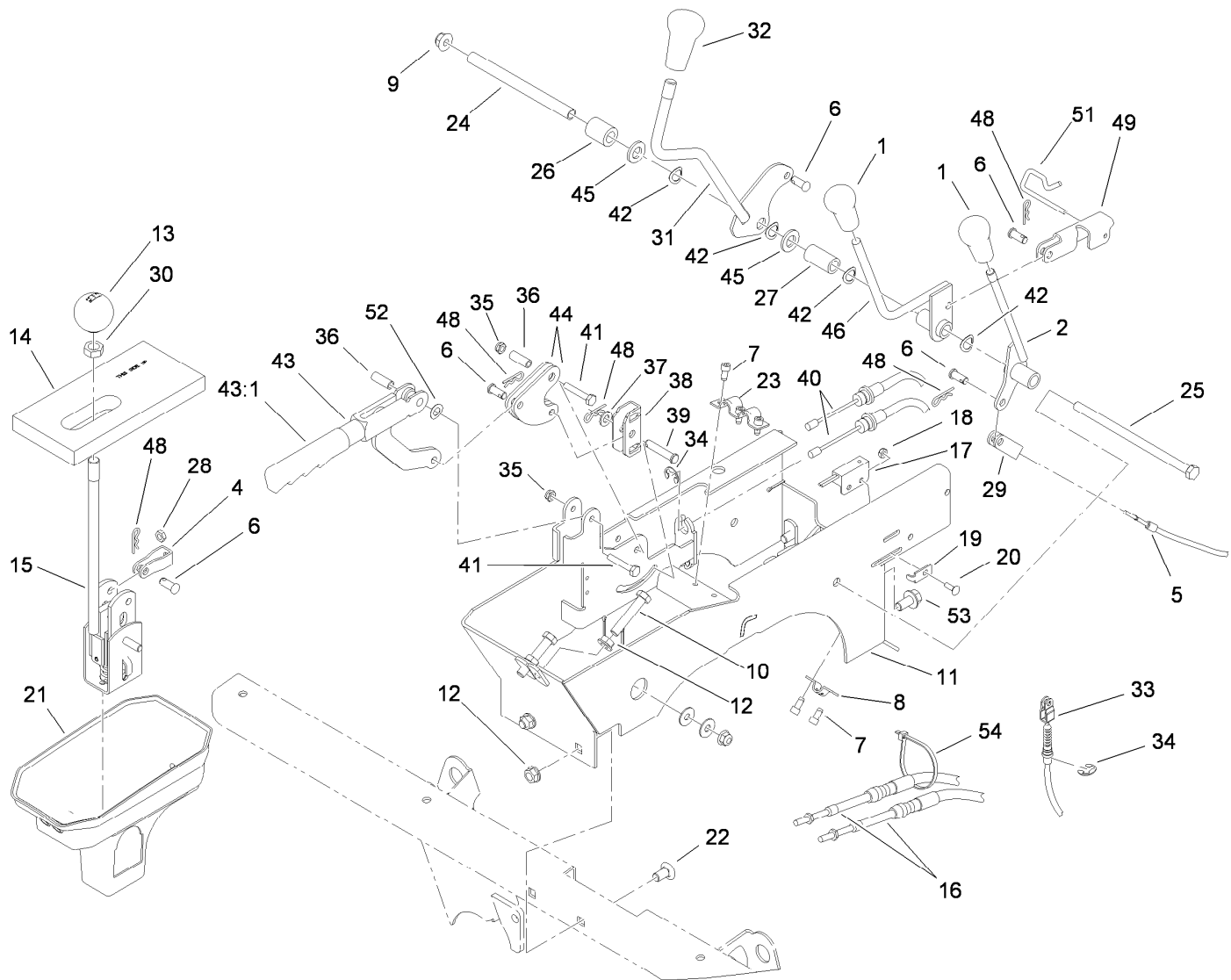


Shroud and Seat Assembly (continued)

Ref.	Part Number	Qty.	Description
35	33114-030	12	Screw-HH

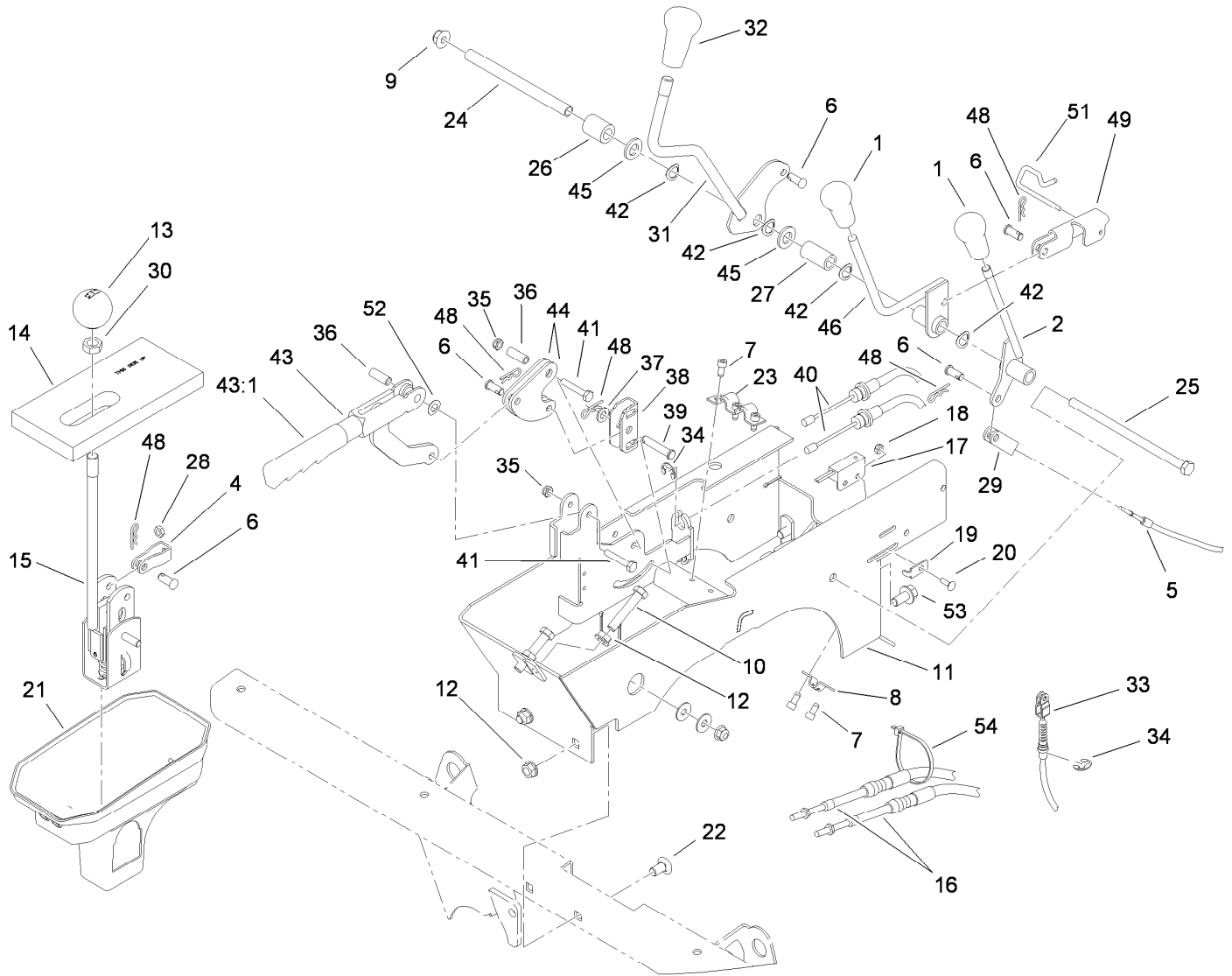
Ref.	Part Number	Qty.	Description
36	3212-4	4	Screw-HH
37	3296-7	4	Nut-Lock

● Not serviced separately



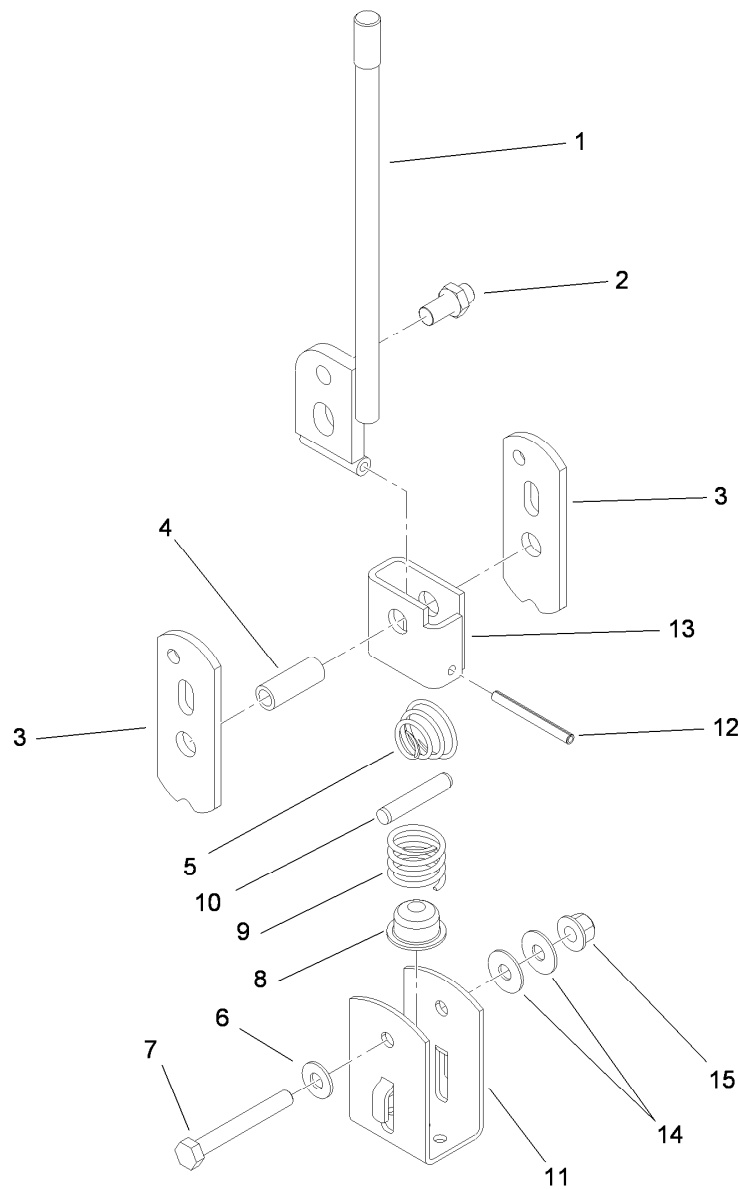
Console Assembly

Ref.	Part Number	Qty.	Description	Ref.	Part Number	Qty.	Description
1	106-7903	2	Knob-Control	22	3231-21	2	Screw-CARR
2	106-7828	1	Lever ASM	23	87-4960	1	Clamp-Cable
4	87-2310	2	Clevis-Cable	24	106-7833	1	Spacer
5	115-7812	1	Cable-Hi Low	25	323-36	1	Screw-HH
6	283-62	6	Pin-Clevis	26	66-6501	1	Spacer-Wheel
7	65-5220	5	Screw-HSH, Thread Forming	27	120-5037	1	Spacer
8	87-4340	1	Clamp-Cable	28	3220-1	2	Nut-Jam
9	104-8301	1	Nut-Flange, NI	29	87-7160	1	Cable Clevis ASM
10	323-10	2	Screw-HH	30	3218-18	1	Nut-Jam
11	108-6914-03	1	Lever Support ASM	31	112-3008	1	Differential Lock Lever ASM
12	3290-357	4	Nut-HHF, Whiz	32	106-7952	1	Knob
13	87-6720	1	Knob-Shift	33	115-2287	1	Cable-Lock, Differential
14	87-6570	1	Seal-Boot, Lower	34	32120-47	3	Ring-Retaining, External
15	106-7887	1	Shift ASM	35	3296-56	2	Nut-Lock, NI
16	115-7811	2	Cable Selector, Gear	36	114402	2	Spacer
17	100-1270	1	Switch-Proximity	37	3256-23	1	Washer-Flat
18	3296-12	1	Nut-Lock, NI	38	87-3480	1	Bracket-Equalizer, Cable
19	100-4872	1	Plate-Switch, Neutral	39	94-3829	1	Pin-Clevis
20	3229-34	1	Screw-CARR	40	115-2283	2	Cable-Brake, Park
21	106-2376	1	Boot-Shift, Lower	41	321-9	2	Screw-HH
				42	3290-221	4	Washer-Spring



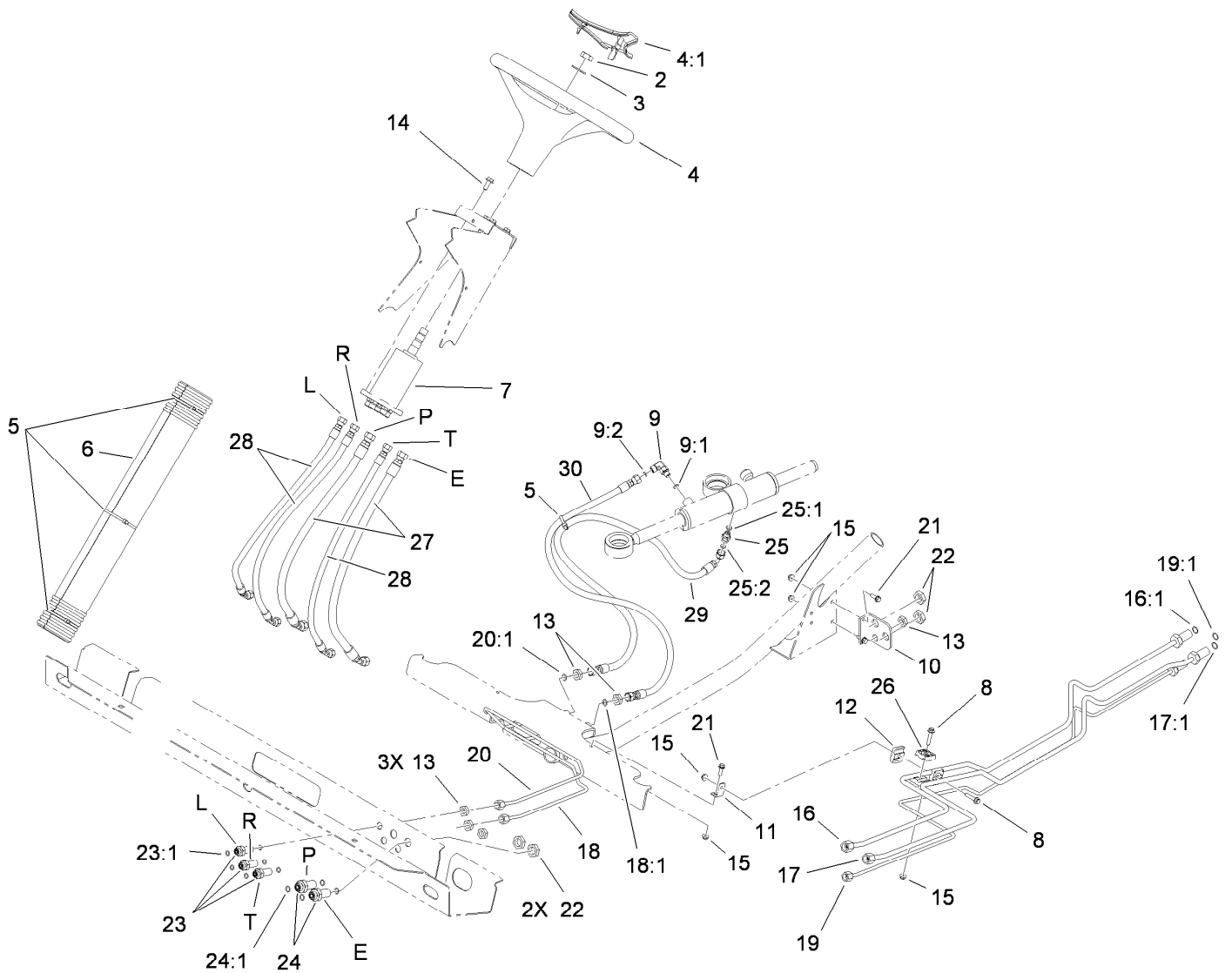
Console Assembly (continued)

<i>Ref.</i>	<i>Part Number</i>	<i>Qty.</i>	<i>Description</i>	<i>Ref.</i>	<i>Part Number</i>	<i>Qty.</i>	<i>Description</i>
43	104-6842	1	Lever-Brake, Park	49	115-2250	1	Link
43:1	106-7972	1	Grip-Handle	51	115-2350	1	Pin-Retainer
44	106-7814	2	Bellcrank	52	3290-477	1	Washer-Curved
45	33096-00	2	Washer-Flat	53	3234-12	2	Screw-HHF
46	106-7960	1	HYD Lever ASM	54	3290-379	3	Tie-Cable
48	3290-307	7	Pin-Hair				



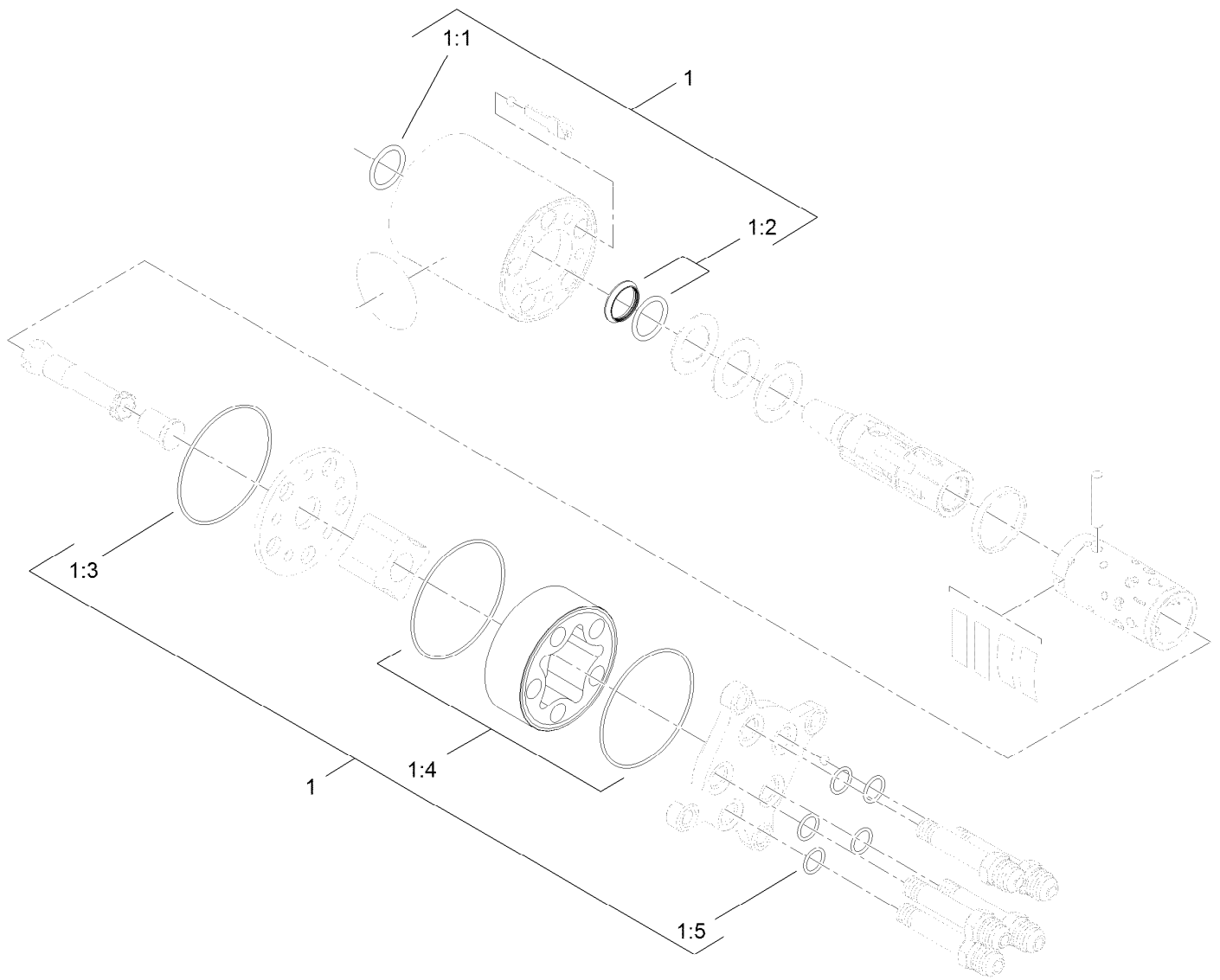
Shift Assembly No. 106-7887

<i>Ref.</i>	<i>Part Number</i>	<i>Qty.</i>	<i>Description</i>
1	87-2040	1	Shift Lever ASM
2	87-3650	1	Pin-Shift
3	87-3540	2	Link-Shift
4	87-2520	1	Tube-Pivot
5	87-2900	1	Spring-Compression
6	87-8640	1	Washer-Flat
7	322-12	1	Screw-HH
8	87-3530	1	Button-Shifter
9	87-3660	1	Spring-Compression
10	3290-507	1	Pin-Dowel
11	87-3520	1	Clevis
12	32121-48	1	Pin-Spring
13	87-6040	1	Bracket-Shifter
14	3290-456	2	Washer-Belleville
15	104-8300	1	Nut-Flange, NI



Steering Hydraulic Assembly

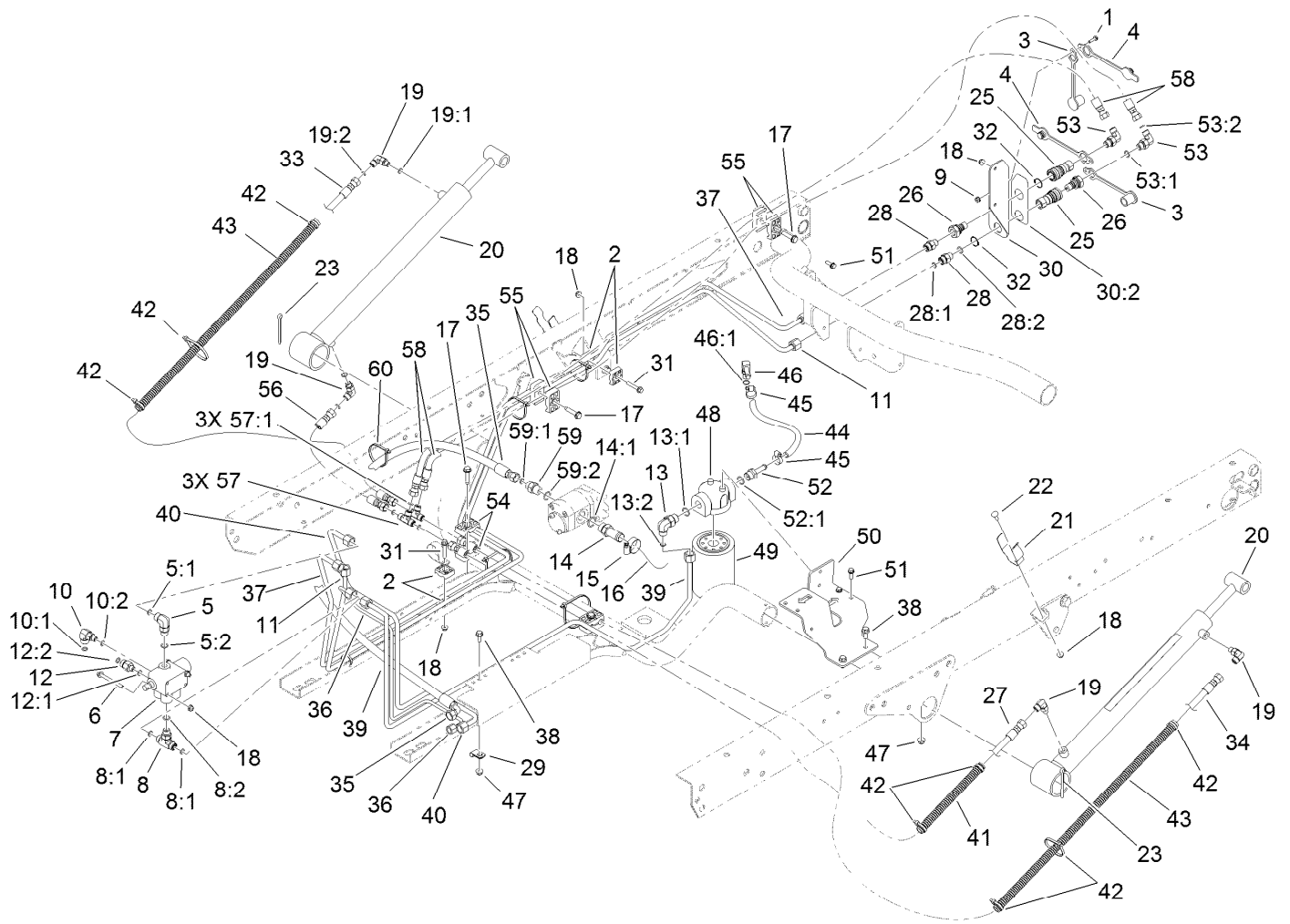
Ref.	Part Number	Qty.	Description	Ref.	Part Number	Qty.	Description
2	3296-33	1	Nut-Lock, NI	18	106-7804	1	Tube-HYD
3	3256-27	1	Washer-Flat	18:1	237-21	1	O-Ring
4	98-1471	1	Wheel-Steering	19	115-7703	1	Tube-HYD
4:1	98-1468	1	Cover-Wheel, Steering	19:1	237-21	1	O-Ring
5	3290-379	4	Tie-Cable	20	106-7806	1	Tube-HYD
6	106-6713	1	Cover-Lines, Steering	20:1	237-21	1	O-Ring
7	120-4813	1	Pump-Steering	21	3234-4	3	Screw-HHF
8	3234-21	2	Screw-HHF	22	340-70	4	Nut-Lock
9	340-132	1	Fitting-HYD, 90 DEG	23	94-1444	3	Union-Bulkhead
9:1	237-78	1	O-Ring	23:1	237-21	2	O-Ring
9:2	237-21	1	O-Ring	24	340-71	2	Fitting-Straight, Bulkhead
10	106-7801-03	1	Bracket-Line, Steering	24:1	237-22	2	O-Ring
11	106-7807	1	Bracket-Line, Steering	25	340-92	1	Fitting-HYD, Straight
12	106-7839	2	Clamp-Tube	25:1	237-78	1	O-Ring
13	3219-10	6	Nut-Hex	25:2	237-21	1	O-Ring
14	98-7977	4	Screw-HHF	26	56-7973	2	Clamp-Tube
15	104-7201	5	Nut-HF	27	106-7975	2	Hose-HYD
16	115-7701	1	Tube-HYD	28	106-7974	3	Hose-HYD
16:1	237-22	1	O-Ring	29	117-4861	1	Hose-HYD
17	115-7702	1	Tube-HYD	30	108-6505	1	Hose ASM
17:1	237-22	1	O-Ring				



Steering Valve Assembly No. 120-4813

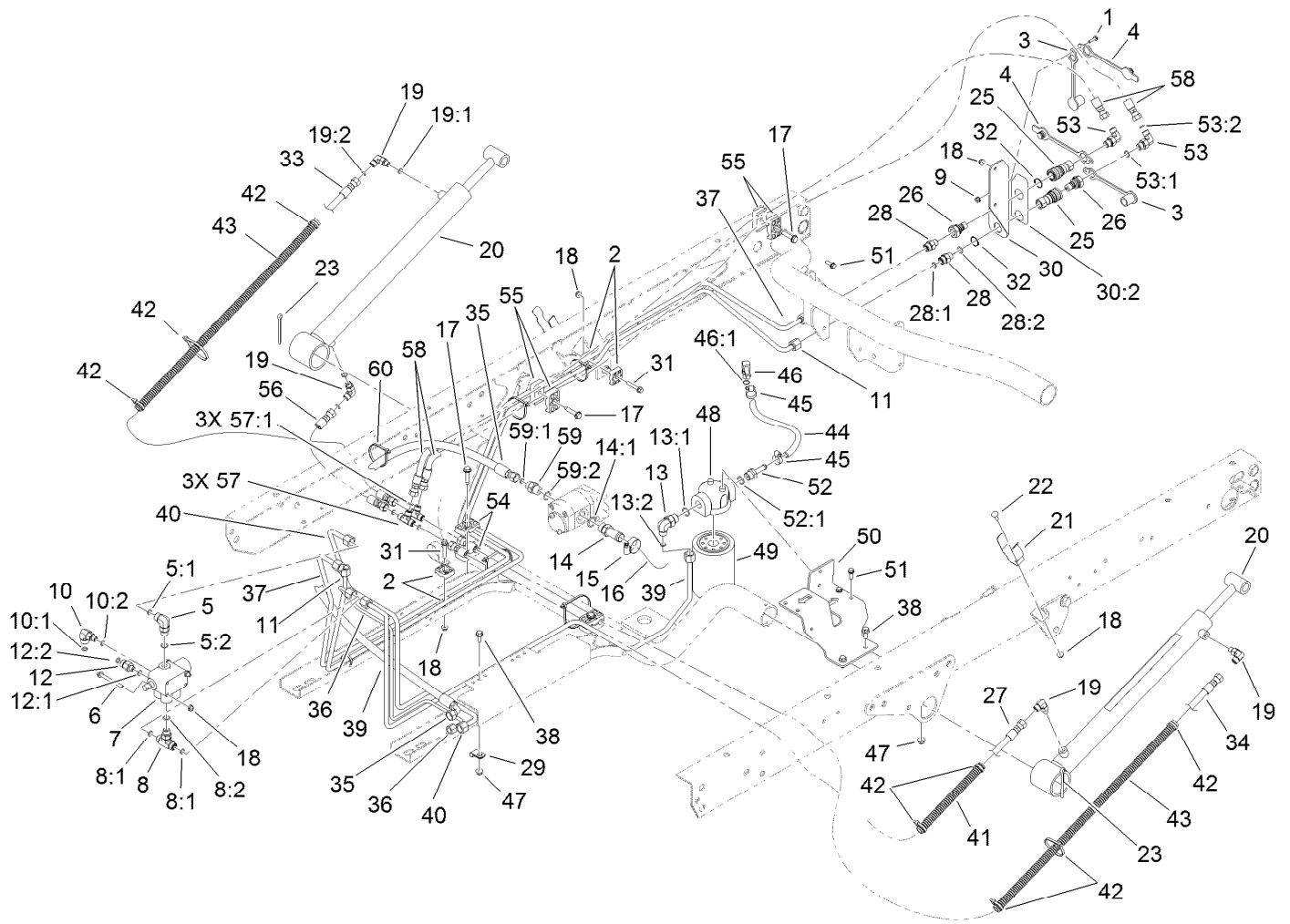
<i>Ref.</i>	<i>Part Number</i>	<i>Qty.</i>	<i>Description</i>
1	106-6716	1	Seal Kit
1:1		1	Ring-Seal, Dust ●
1:2		1	Seal-Shaft ●
1:3		1	O-Ring ●
1:4		2	O-Ring ●
1:5		5	O-Ring ●

● Not serviced separately



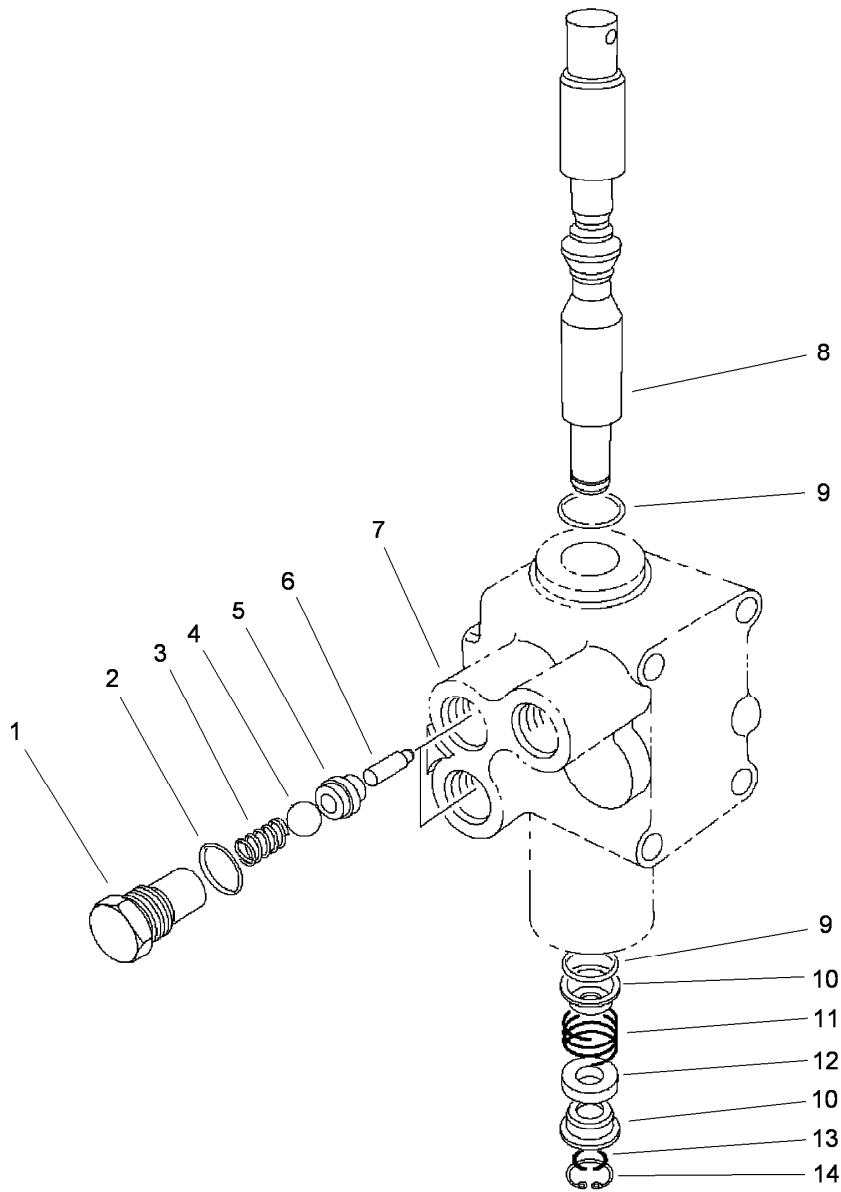
Lift Valve and Hydraulic Assembly

<i>Ref.</i>	<i>Part Number</i>	<i>Qty.</i>	<i>Description</i>	<i>Ref.</i>	<i>Part Number</i>	<i>Qty.</i>	<i>Description</i>
1	32105-13	1	Screw-HWH	13:1	237-79	1	O-Ring
2	56-7973	4	Clamp-Tube	13:2	237-22	1	O-Ring
3	106-7881	2	Cap-Dust, HYD	14	354-136	1	Fitting-HYD
4	106-7882	2	Plug-Dust, HYD	14:1	237-80	1	O-Ring
5	340-77	1	Fitting-HYD, 90 DEG	15	2412-129	1	Clamp-Hose
5:1	237-22	1	O-Ring	16	87-3670	1	Hose-Suction
5:2	237-42	1	O-Ring	17	32144-57	4	Screw
6	114-8410	2	Screw-HHF	18	104-7201	8	Nut-HF
7	43-1950	1	Valve-Control, HYD	19	340-132	4	Fitting-HYD, 90 DEG
8	340-94	1	Adapter	19:1	237-78	1	O-Ring
8:1	237-22	2	O-Ring	19:2	237-21	1	O-Ring
8:2	237-42	1	O-Ring	20	106-7939	2	HYD Cylinder ASM
9	3290-148	1	Nut-HF	21	108-3109	2	Retainer-Cylinder
10	340-97	1	Fitting-HYD, 90 DEG	22	3229-1	2	Bolt-CARR
10:1	237-22	1	O-Ring	23	3272-37	2	Pin-Cotter
10:2	237-78	1	O-Ring	25	106-7968	2	Coupler-Quick, Female
11	115-2218	1	Tube-HYD	26	106-7969	2	Coupler-Quick, Male
12	340-88	1	Adapter	27	115-7711	1	HYD Hose ASM
12:1	237-22	1	O-Ring	28	340-2	2	Fitting-HYD, Straight
12:2	237-78	1	O-Ring	28:1	237-22	1	O-Ring
13	340-18	1	Fitting-HYD, 90 DEG	28:2	237-42	1	O-Ring



Lift Valve and Hydraulic Assembly (continued)

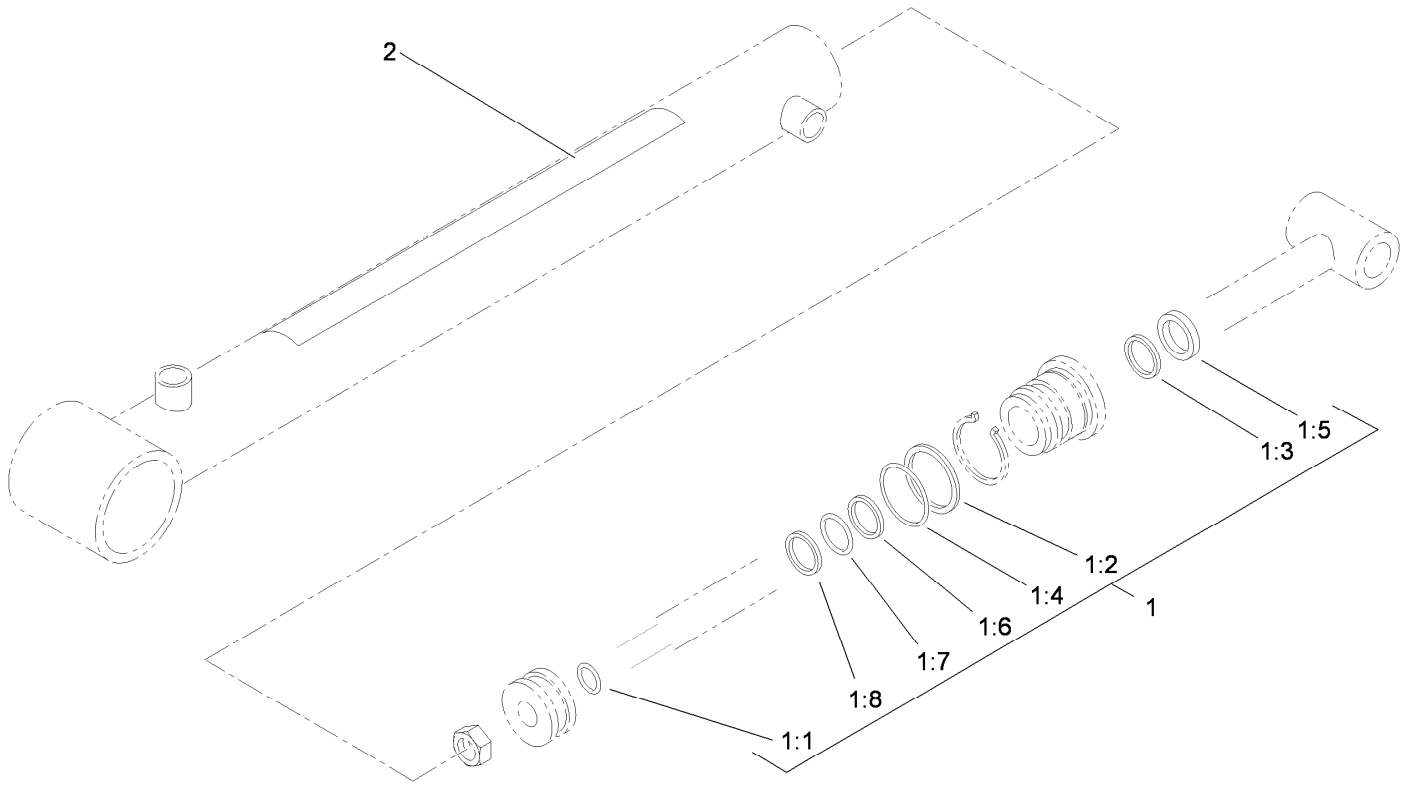
Ref.	Part Number	Qty.	Description	Ref.	Part Number	Qty.	Description
29	2412-113	1	Clamp	47	104-8300	3	Nut-Flange, NI
30	115-7715	1	Coupler Bracket ASM	48	87-8780	1	Head-Filter
30:2	115-7723	1	Decal-Disconnect, Quick	49	54-0110	1	Filter-Oil, Transmission
31	94-5781	2	Screw-HHF	50	115-2168-03	1	Bracket-Filter
32	32151-83	2	Ring-Snap	51	3234-4	4	Screw-HHF
33	108-6508	1	HYD Hose ASM	52	115-2231	1	Fitting-Straight
34	104-3716	1	HYD Hose ASM	52:1	237-79	1	O-Ring
35	121-6283	1	Hose-ASM	53	340-82	2	Adapter
36	115-2216	1	Tube-HYD	53:1	237-42	1	O-Ring
37	115-2217	1	Tube-HYD	53:2	237-21	1	O-Ring
38	3234-5	3	Screw-HHF	54	56-7971	2	Clamp-Tube
39	115-2224	1	Tube-HYD	55	56-7976	6	Clamp-Tube
40	115-2223	1	Tube-HYD	56	110-0931	1	Hose ASM
41	24-7922	1	Conduit-Convolutd, Split	57	340-21	2	Fitting
42	3290-379	8	Tie-Cable	57:1	237-21	3	O-Ring
43	24-7923	2	Conduit-Convolutd, Split	58	106-3680	2	HYD Hose ASM
44	115-2228	1	HYD Hose ASM	59	340-3	1	Adapter
45	2412-36	2	Clamp-Hose	59:1	237-22	1	O-Ring
46	100-4887	1	Fitting-Barbed, 90 DEG	59:2	237-79	1	O-Ring
46:1	237-42	1	O-Ring	60	3290-379	1	Tie-Cable



Control Valve Assembly No. 43-1950

Ref.	Part Number	Qty.	Description
1	22-8330	2	Plug
2	237-42	2	O-Ring
3	22-8340	2	Spring
4	22-8350	2	Ball
5	22-8370	2	Seat-Valve
6	22-8360	2	Pin
7		1	Body ●
8	22-8420	1	Spool
9	22-8500	2	O-Ring
10	22-8380	2	Retainer
11	22-8410	1	Spring
12	23-3030	1	Spacer
13	22-8480	1	Ring-Snap
14	22-8490	1	Ring-Snap

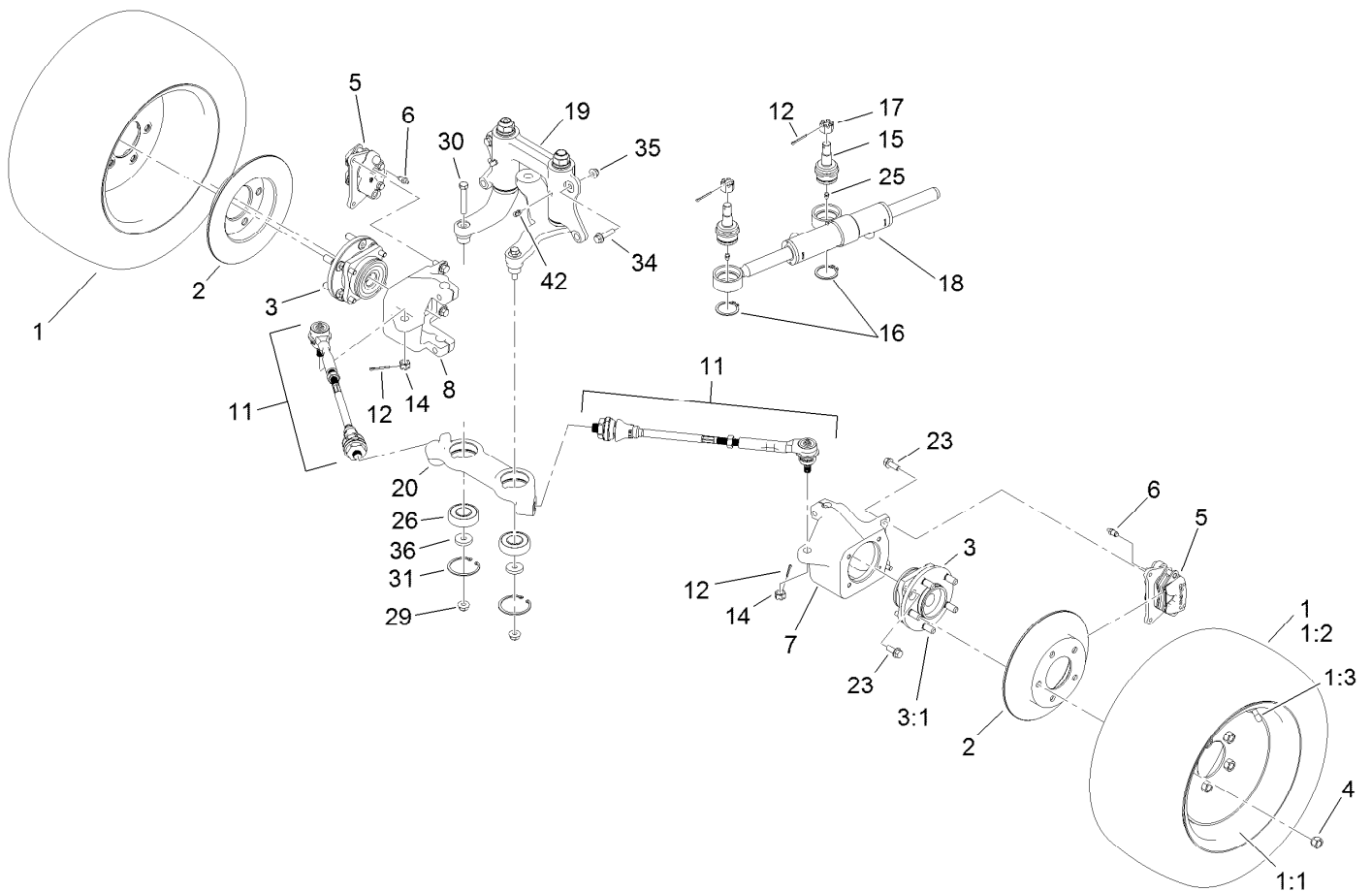
● Not serviced separately



Hydraulic Cylinder Assembly No. 106-7939

Ref.	Part Number	Qty.	Description
1	106-7941	1	Seal Kit
1:1		1	O-Ring ●
1:2		1	O-Ring ●
1:3		1	Seal ●
1:4		1	Back-Up ●
1:5		1	Wiper ●
1:6		1	Seal ●
1:7		1	O-Ring ●
1:8		1	Ring-Wear ●
2	93-9852	1	Decal-Warning

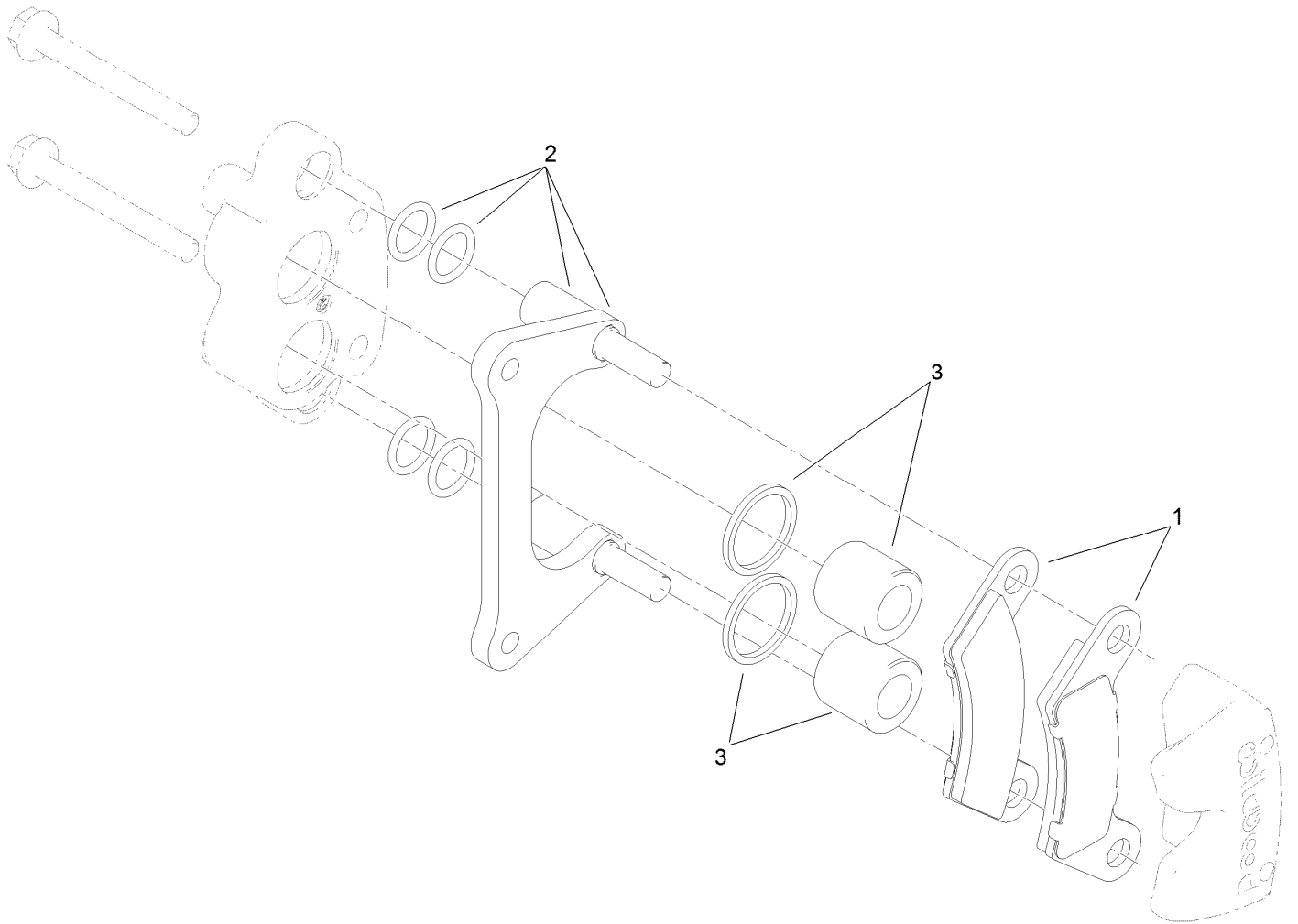
● Not serviced separately



Front Wheel Assembly

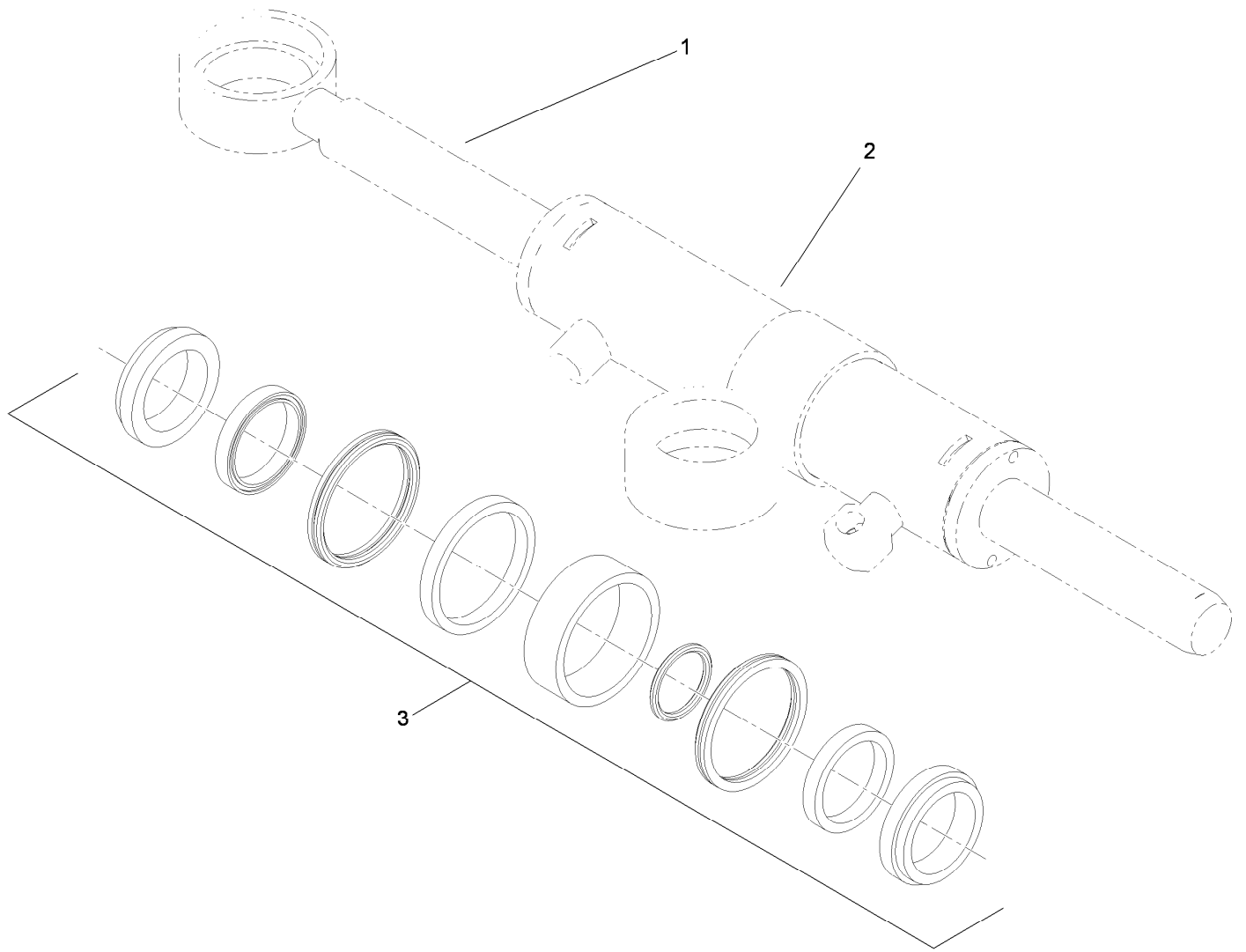
Ref.	Part Number	Qty.	Description	Ref.	Part Number	Qty.	Description
1		2	Tire And Wheel ASM ●	16	32151-104	2	Ring-Retaining, External
1:1	120-4901	1	Wheel	17	32136-14	2	Nut-SHH
1:2	114-8273	1	Tire	18	120-5059	1	Cylinder-Steering
1:3	232-27	1	Stem-Valve	19		1	Steering Linkage ASM ●
2	114-8351	2	Rotor-Brake	20	114-8296	1	Link-Center
3	112-3214	2	Wheel Hub ASM	23	3234-11	12	Screw-HHF
3:1	114-8299	5	Stud-Wheel	25	302-5	2	Fitting-Grease
4	242-50	10	Nut-Lug	26	119-9548	2	Bearing-Ball
5	119-9535	2	Brake Caliper ASM	29	114-8417	2	Nut-HF, NI
6	119-9509	2	Screw-Bleed	30	324-10	2	Screw-HH
7	119-9513	1	Knuckle-LH	31	32120-22	2	Ring-Snap, Internal
8	119-9514	1	Knuckle-RH	34	114-4681	2	Screw-HHF
11	114-8356	2	Tie Rod ASM	35	104-8301	2	Nut-Flange, NI
12	3272-12	4	Pin-Cotter	36	112843	2	Washer
14	32136-3	2	Nut-SHH	42	302-60	2	Fitting-Grease
15	106-6774	2	Joint-Ball				

● Not serviced separately



Brake Caliper Assembly No. 119-9535

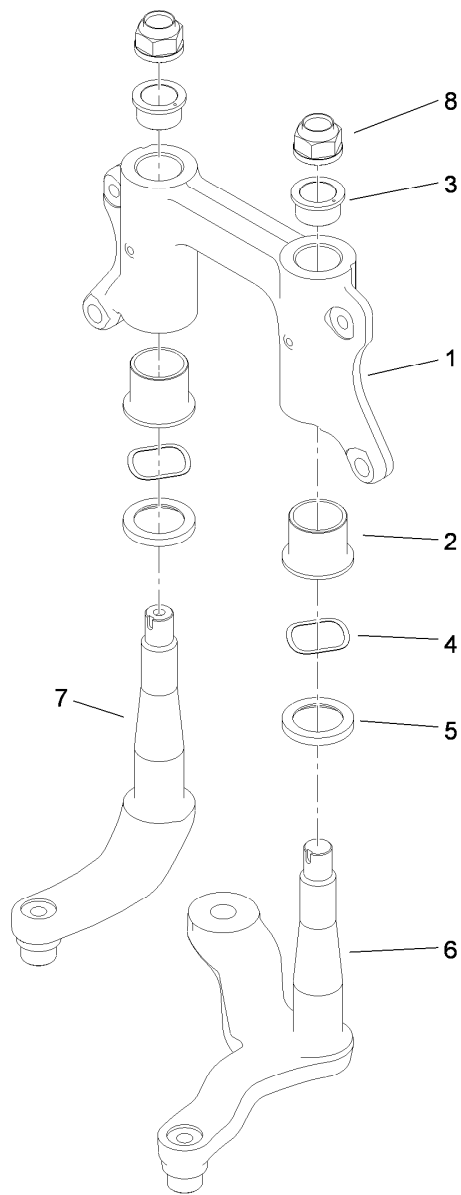
<i>Ref.</i>	<i>Part Number</i>	<i>Qty.</i>	<i>Description</i>
1	119-9510	1	Brake Pad Kit
2	119-9511	1	Bracket Kit
3	119-9512	1	Piston Kit



Hydraulic Cylinder Assembly No. 120-5059

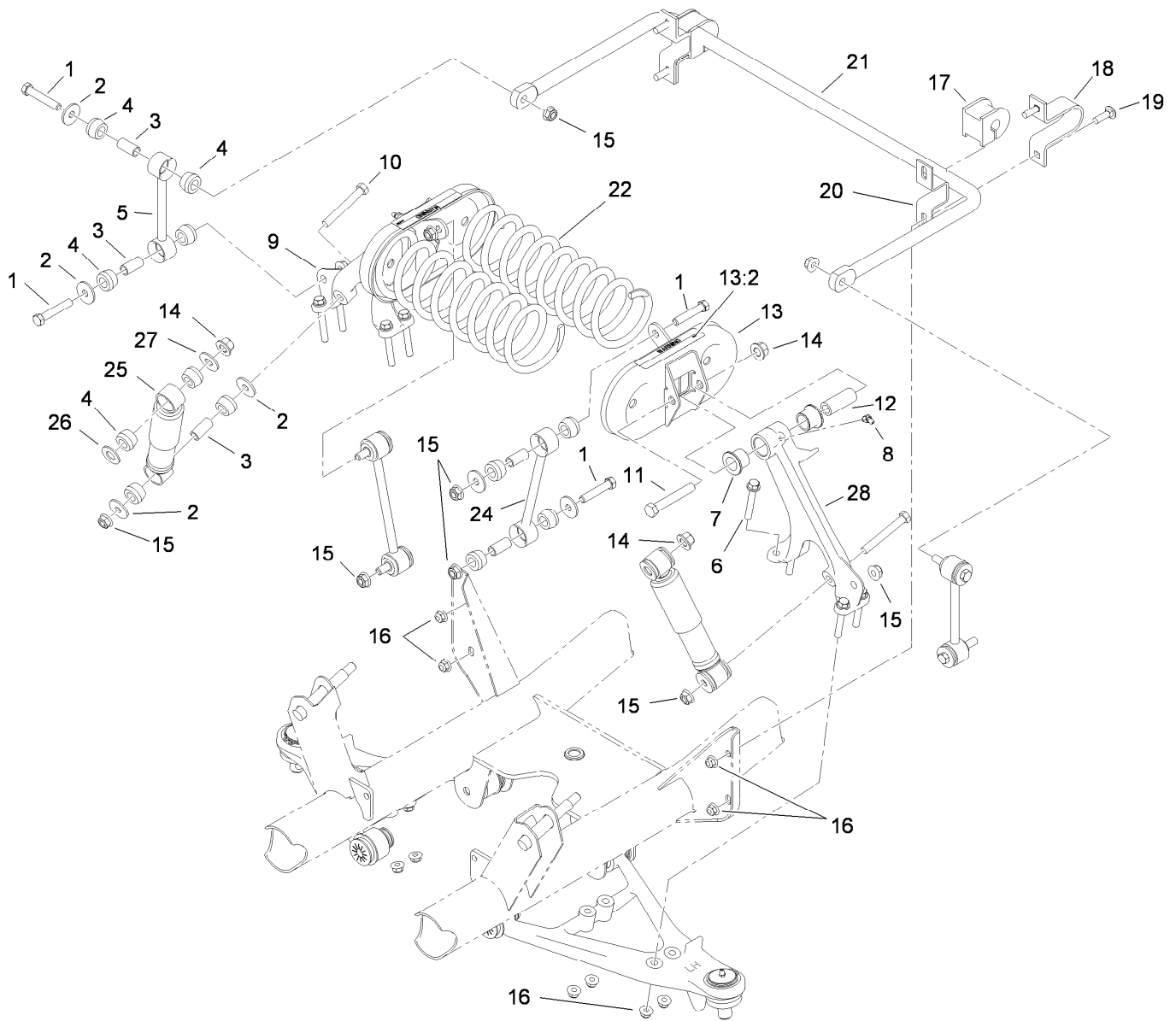
<i>Ref.</i>	<i>Part Number</i>	<i>Qty.</i>	<i>Description</i>
1		1	Rod-Cylinder ●
2		1	Body-Cylinder ●
3	115-2160	1	Cylinder Repair Kit

● Not serviced separately



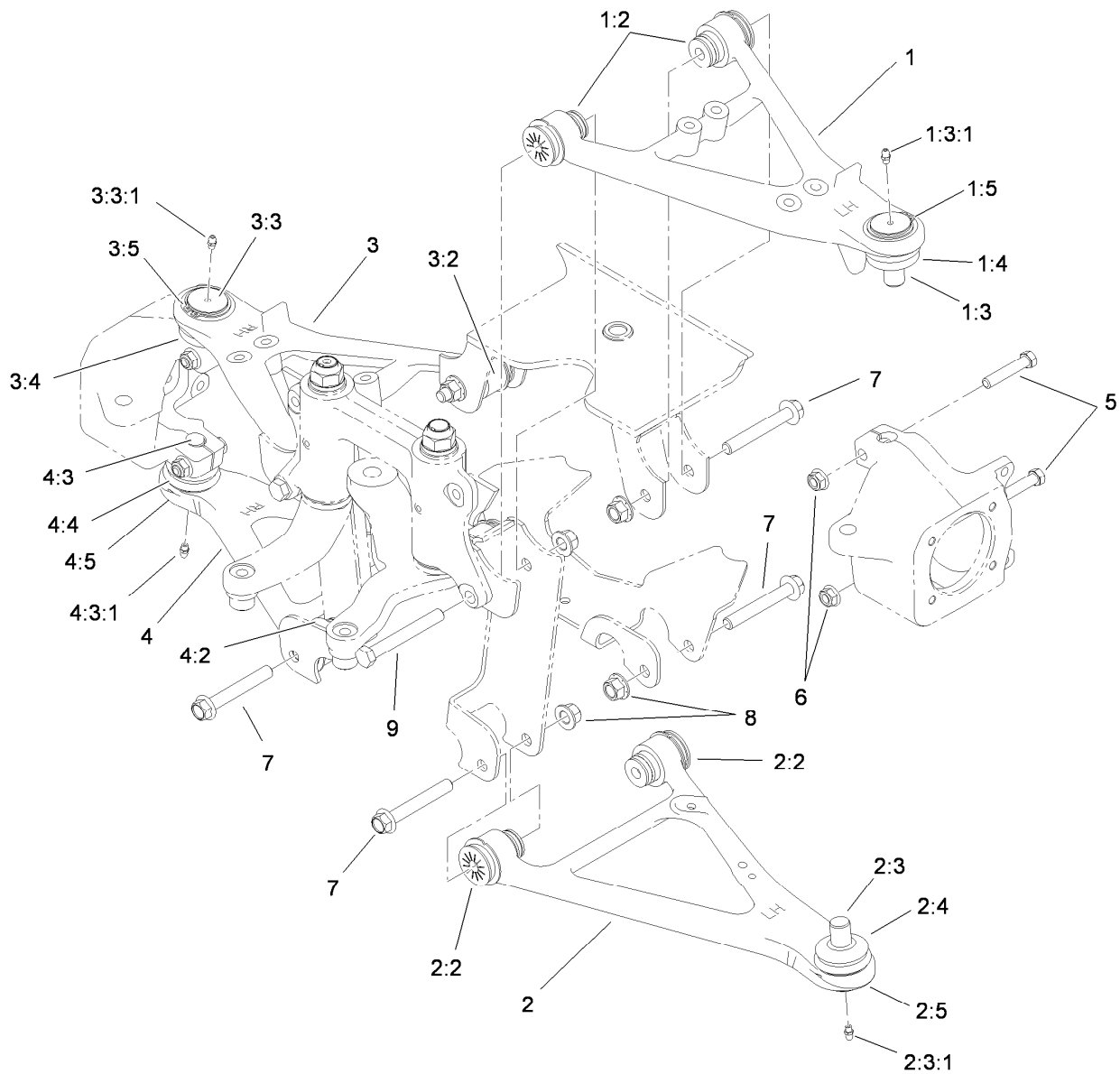
Steering Linkage Assembly

<i>Ref.</i>	<i>Part Number</i>	<i>Qty.</i>	<i>Description</i>
1	114-8389	1	Mount-Pivot
2	69-6470	2	Bushing-Cast
3	112-1626	2	Bushing-Flange
4	93-4632	2	Washer-Wavey
5	86-6560	2	Washer-Thrust
6	114-8256	1	Arm-Pitman
7	114-8298	1	Arm-Idler
8	115-2164	2	Nut-Spindle



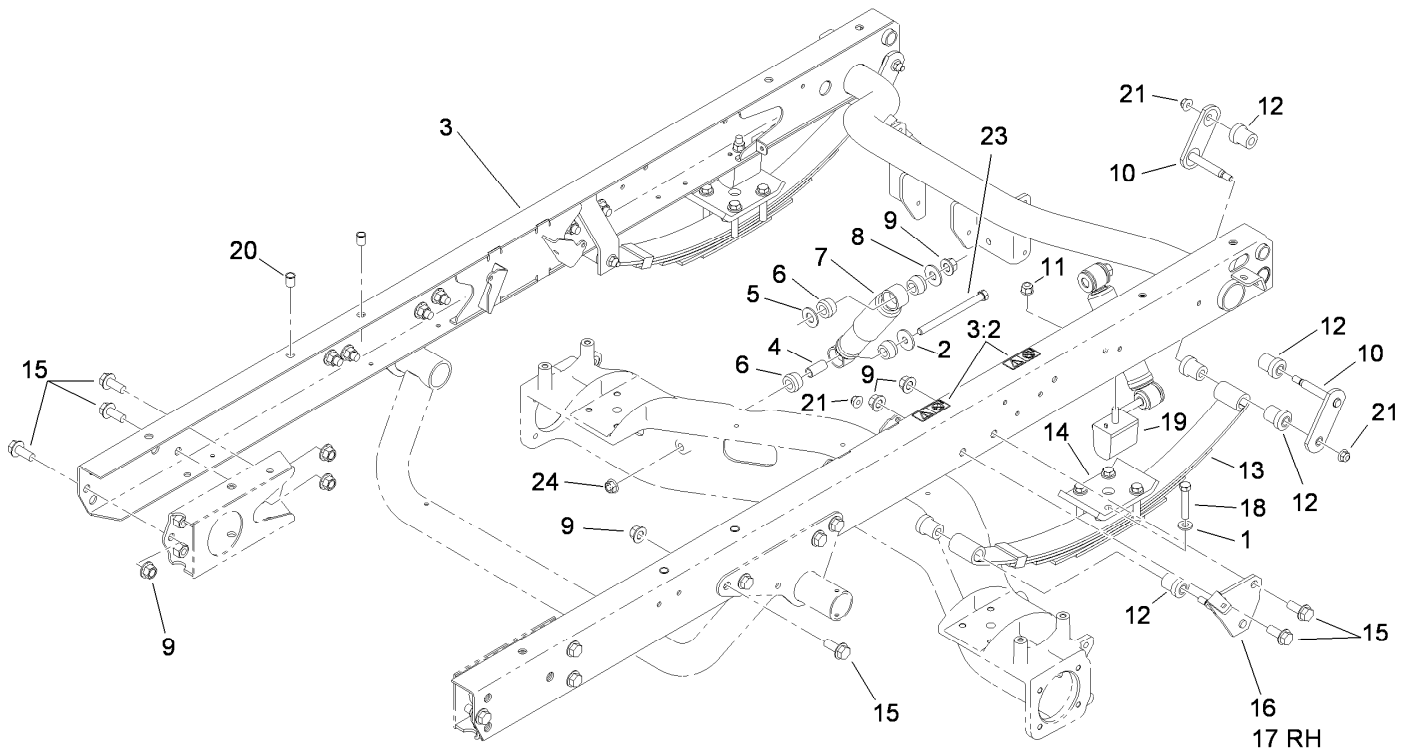
Front Suspension Assembly

Ref.	Part Number	Qty.	Description	Ref.	Part Number	Qty.	Description
1	324-10	8	Screw-HH	14	99-5107	4	Nut-Lock
2	87-5330	12	Washer	15	114-8417	10	Nut-HF, NI
3	87-3600	10	Spacer-Absorber, Shock	16	104-8301	12	Nut-Flange, NI
4	87-3920	24	Bushing	17	87-3910	2	Bushing-Rubber
5	87-3860-03	2	Link-Sway Bar, Anti	18	87-4010-03	2	Clamp-Bar, Sway
6	3234-39	8	Screw-HHF	19	3231-25	4	Bolt-CARR
7	33-3090	4	Bushing	20	87-3890-03	2	Bracket-Bar, Sway
8	302-11	2	Fitting-Lube, 45 DEG	21	87-3850-03	1	Bar-Sway, Anti
9	87-0150	1	Tower-Control Arm, RH	22	105-4183-01	2	Spring-Compression
10	324-13	2	Screw-HH	24	106-2302-03	2	Stabilizer Link ASM
11	325-13	2	Screw-HH	25	87-3110	2	Absorber-Shock
12	87-2500	2	Sleeve-Spring, Pivot	26	3256-27	2	Washer-Flat
13	105-7958	2	Spring Cradle ASM	27	3256-6	2	Washer-Flat
13:2	93-9879	1	Decal-Warning	28	87-0160	1	Tower-Control Arm, LH



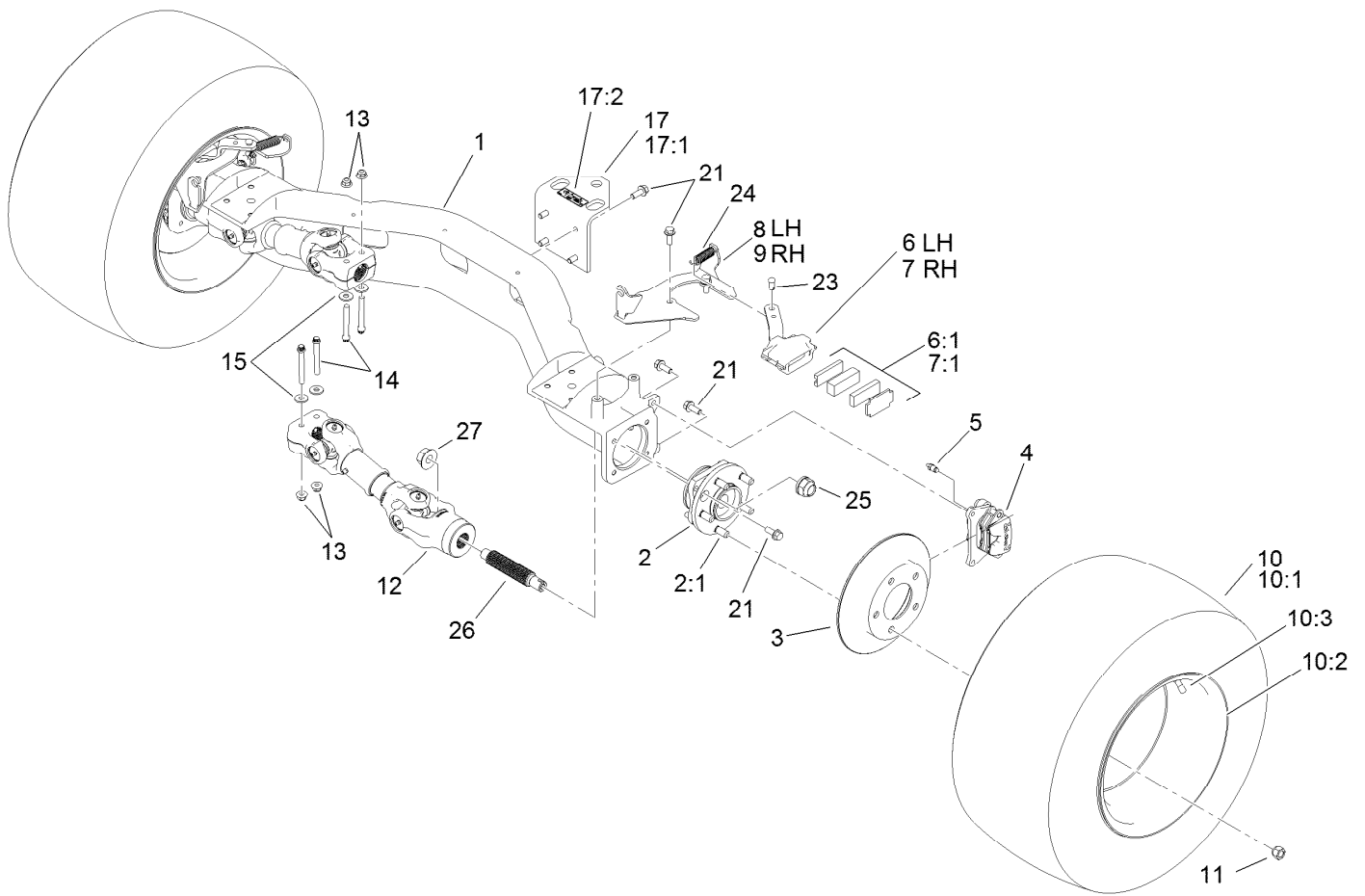
Front Control Arm Assembly

Ref.	Part Number	Qty.	Description	Ref.	Part Number	Qty.	Description
1	115-2404	1	Upper LH Control Arm ASM	3:3:1	302-5	1	Fitting-Grease
1:2	87-1450	2	Bushing-Flange	3:4	87-2420	1	Seal-Joint, Ball
1:3	115-2165	1	Ball Joint	3:5	32151-104	1	Ring-Retaining, External
1:3:1	302-5	1	Fitting-Grease	4	115-2407	1	Lower RH Control Arm ASM
1:4	87-2420	1	Seal-Joint, Ball	4:2	87-1450	2	Bushing-Flange
1:5	32151-104	1	Ring-Retaining, External	4:3	115-2165	1	Ball Joint
2	115-2405	1	Lower LH Control Arm ASM	4:3:1	302-5	1	Fitting-Grease
2:2	87-1450	2	Bushing-Flange	4:4	87-2420	1	Seal-Joint, Ball
2:3	115-2165	1	Ball Joint	4:5	32151-104	1	Ring-Retaining, External
2:3:1	302-5	1	Fitting-Grease	5	324-10	4	Screw-HH
2:4	87-2420	1	Seal-Joint, Ball	6	114-8417	4	Nut-HF, NI
2:5	32151-104	1	Ring-Retaining, External	7	114-8419	6	Screw-HHF
3	115-2406	1	Upper RH Control Arm ASM	8	99-5107	8	Nut-Lock
3:2	87-1450	2	Bushing-Flange	9	325-17	2	Screw-HH
3:3	115-2165	1	Ball Joint				



Rear Frame Assembly

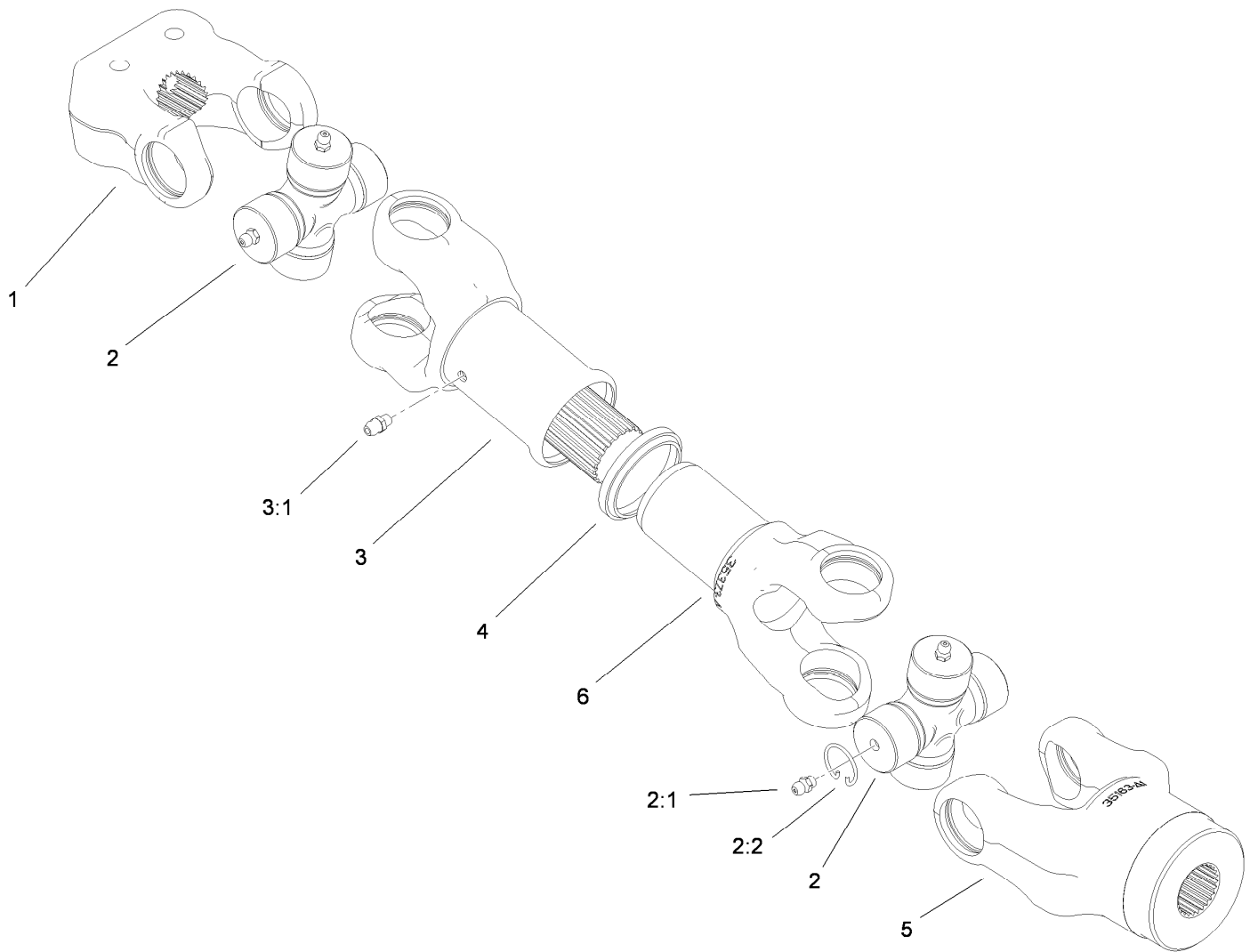
<i>Ref.</i>	<i>Part Number</i>	<i>Qty.</i>	<i>Description</i>	<i>Ref.</i>	<i>Part Number</i>	<i>Qty.</i>	<i>Description</i>
1	87-7480	8	Washer	12	87-4760	12	Bushing-Rubber
2	87-5330	2	Washer	13	87-1490	2	Spring-Leaf, Rear
3	115-7911	1	Rear Frame ASM	14	87-7470-03	2	Plate-Spring, Clamp
3:2	115-2047	2	Decal-Surface, Hot	15	3234-38	18	Screw-HHF
4	87-3600	2	Spacer-Absorber, Shock	16	87-3960	1	LH Spring Mount ASM
5	3256-27	2	Washer-Flat	17	87-3940	1	RH Spring Mount ASM
6	87-3920	8	Bushing	18	115-2398	8	Bolt-HH
7	87-3110	2	Absorber-Shock	19	87-3470	2	Bumper-Axle, Rear
8	3256-6	2	Washer-Flat	20	32148-9	4	Insert-Nut
9	99-5107	20	Nut-Lock	21	104-8301	6	Nut-Flange, NI
10	87-3980	4	Shackle ASM	23	114-8424	2	Screw-HH
11	103-9511	2	Nut-Lock	24	114-8417	2	Nut-HF, NI



Rear Axle Assembly

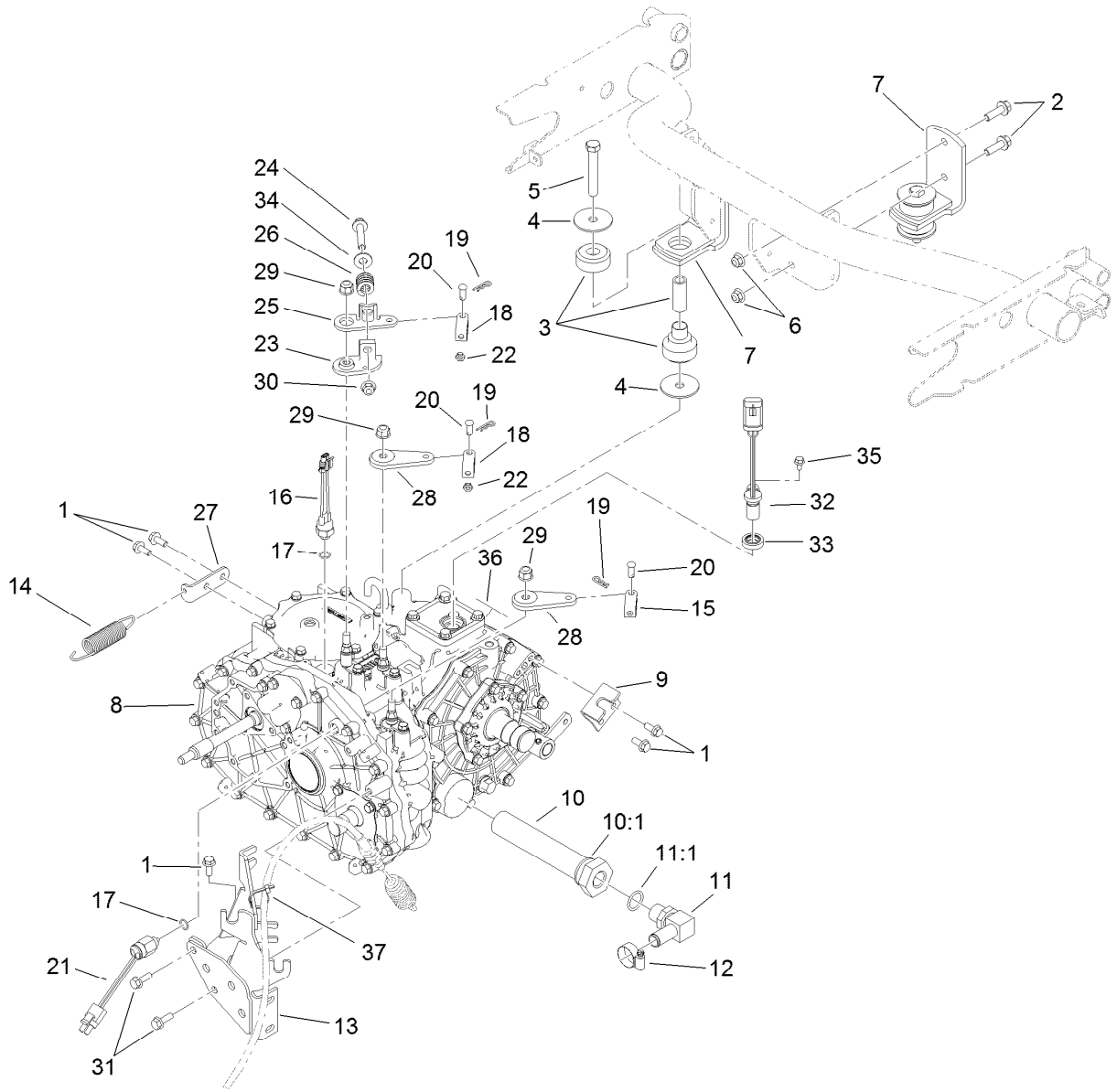
Ref.	Part Number	Qty.	Description	Ref.	Part Number	Qty.	Description
1	119-9515	1	Axle-Rear	10:3	232-27	1	Stem-Valve
2	112-3214	2	Wheel Hub ASM	11	242-50	10	Nut-Lug
2:1	114-8299	5	Stud-Wheel	12	114-8367	2	Driveshaft ASM
3	114-8351	2	Rotor-Brake	13	104-8301	4	Nut-Flange, NI
4	119-9535	2	Brake Caliper ASM	14	98-2939	4	Screw-Cap
5	119-9509	2	Screw-Bleed	15	80-6990	4	Washer-Hardened
6	114-8365	1	Caliper-Mechanical, LH	17	115-7742	1	Hitch ASM
6:1	115-7847	1	Brake Pad Kit (Parking)	17:1	92-5951-03	1	Angle-Hitch
7	114-8366	1	Caliper-Mechanical, RH	17:2	115-7740	1	Decal-Load, Towing
7:1	115-7847	1	Brake Pad Kit (Parking)	21	3234-11	20	Screw-HHF
8	115-2362-03	1	LH Caliper Bracket ASM	23	283-85	2	Pin-Clevis
9	115-2359-03	1	RH Caliper Bracket ASM	24	104-6415	2	Spring-Return, Pedal
10		2	Tire And Wheel ASM ●	25	115-2164	2	Nut-Spindle
10:1	106-7868	1	Tire	26	115-7771	2	Shaft, Splined
10:2	114-8259	1	Wheel	27	104-0753	2	Nut-Flange

● Not serviced separately



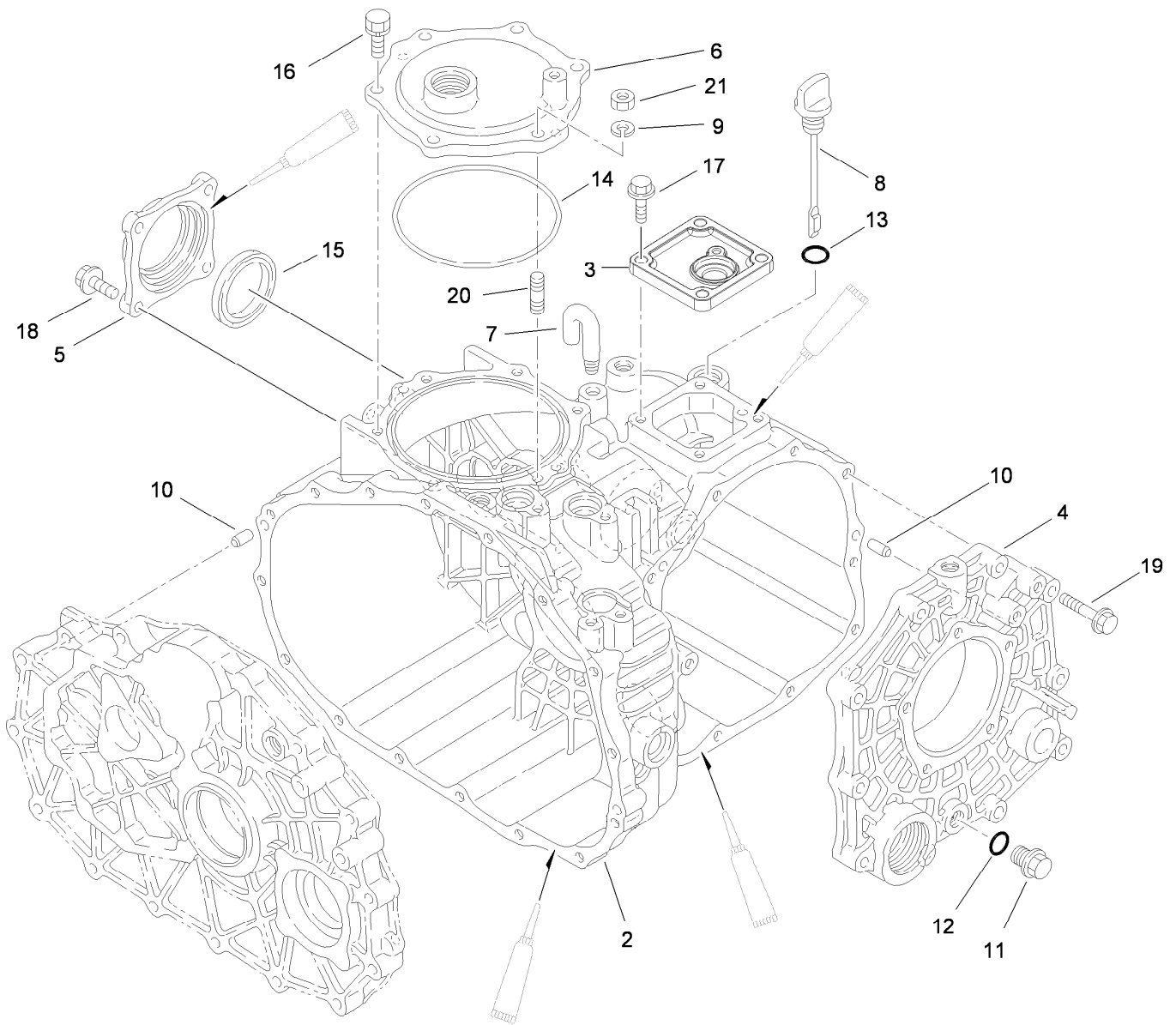
Driveshaft Assembly No. 114-8367

<i>Ref.</i>	<i>Part Number</i>	<i>Qty.</i>	<i>Description</i>
1	98-2940	1	Yoke
2	92-4187	2	Cross And Bearing Kit
2:1	302-58	4	Fitting-Straight
2:2	92-4188	4	Ring-Snap
3	92-4179	1	Yoke-Tube, Shaft And Seal
3:1	302-5	1	Fitting-Grease
4	92-4180	1	Seal
5	115-2351	1	Yoke
6	92-4182	1	Yoke-Telescoping



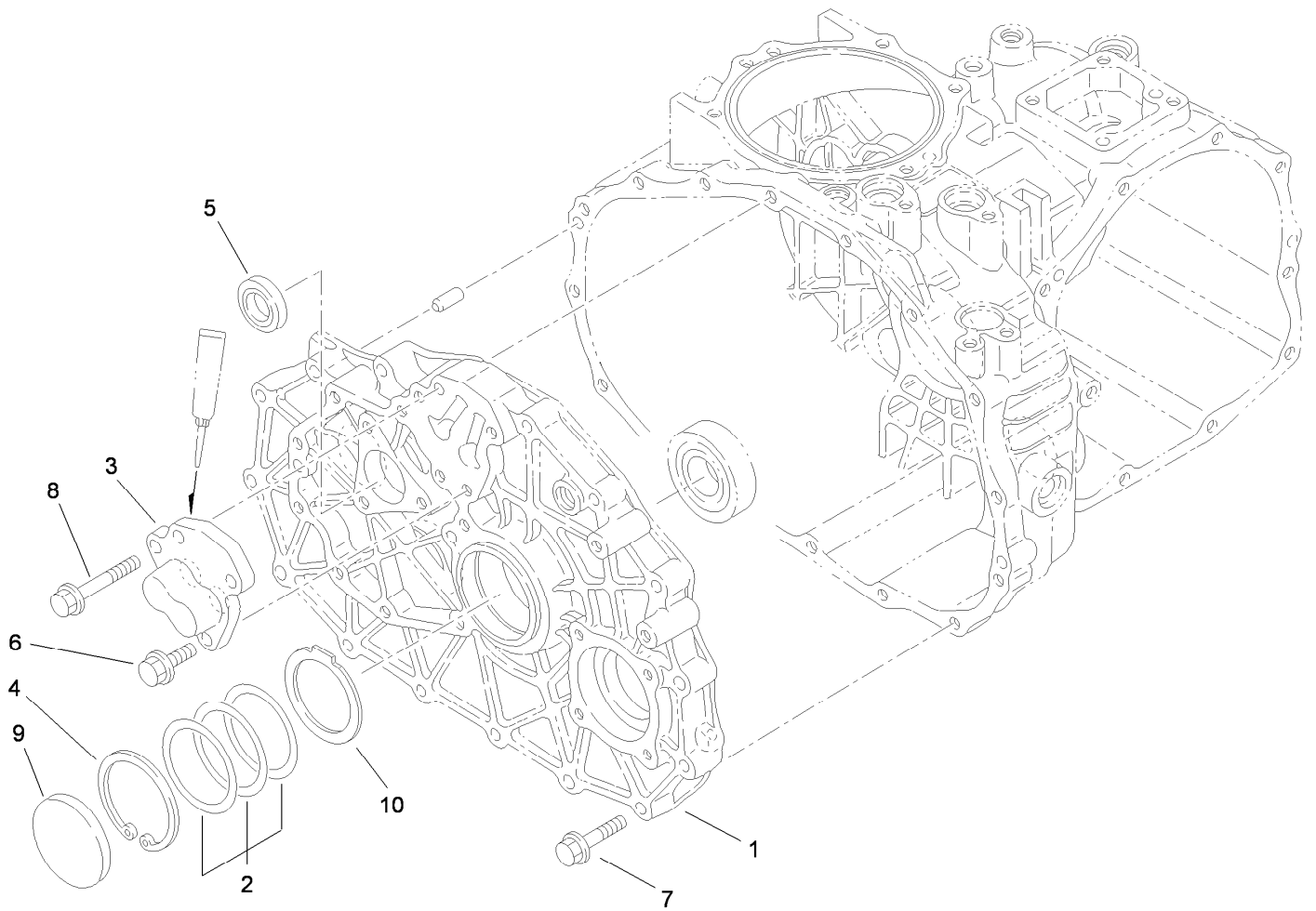
Transaxle Assembly

Ref.	Part Number	Qty.	Description	Ref.	Part Number	Qty.	Description
1	98-7977	5	Screw-HHF	18	87-2310	2	Clevis-Cable
2	3234-24	4	Screw-HHF	19	3290-307	3	Pin-Hair
3	106-7865	2	Engine Mount ASM	20	283-62	3	Pin-Clevis
4	87-5100	4	Washer-Snubbing	21	87-6710	1	Switch-Transmission
5	33116-080	2	Screw-HH	22	3220-1	2	Nut-Jam
6	104-8301	4	Nut-Flange, NI	23	87-7970	1	Arm-Shift
7	87-5800-03	2	Transaxle Mount ASM	24	66-9302	1	Screw-HHF, Whiz
8	115-2175	1	Transaxle ASM	25	87-8250	1	Plate-Arm, Shift
9	87-4470	1	Bracket-Lock, Differential	26	87-6910	1	Spring-Compression
10	87-3990	1	Strainer-Transaxle	27	115-7714	1	Bracket-Spring
10:1	237-123	1	O-Ring	28	87-7960	2	Lever-Shift
11	353-987	1	Fitting-HYD, 90 DEG (Barbed)	29	103-9511	3	Nut-Lock
11:1	237-81	1	O-Ring	30	3290-357	1	Nut-HHF, Whiz
12	2412-129	1	Clamp-Hose	31	33104-025	2	Screw-HHF
13	105-4207-03	1	Cable Mount ASM	32	120-4800	1	Sensor-Gear tooth
14	68-9950	1	Spring-Traction	33	92-3735	1	Seal-Oil, Sensor
15	87-7160	1	Cable Clevis ASM	34	3256-4	1	Washer-Flat
16	72-4310	1	Switch-Ball	35	33103-012	1	Screw-HHF
17	237-30	2	O-Ring	36	115-7741	1	Decal-Oil, Transmission
				37	3290-379	1	Tie-Cable



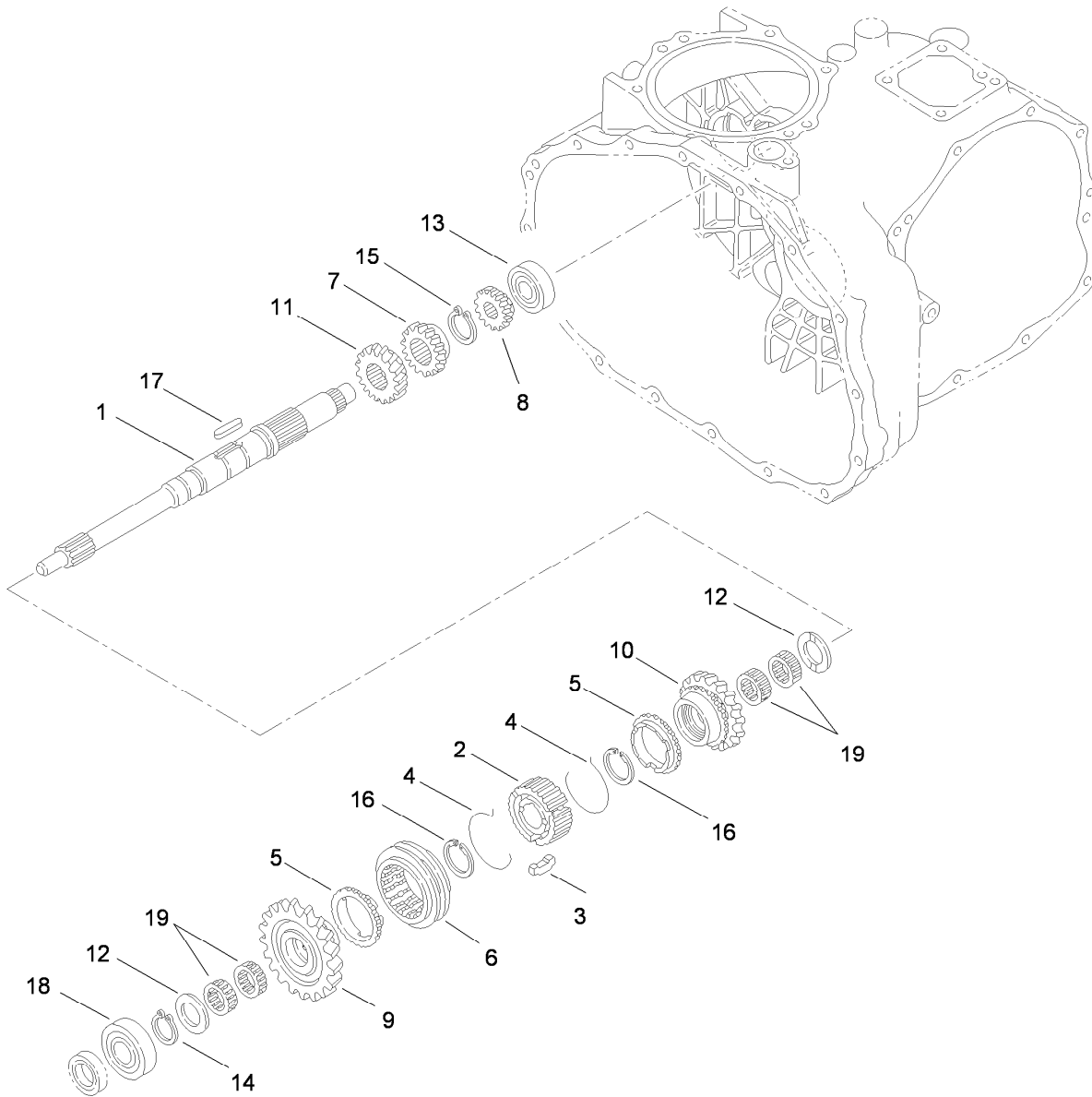
Case Assembly 4 Wheel Drive Transaxle Assembly No. 115-2175

<i>Ref.</i>	<i>Part Number</i>	<i>Qty.</i>	<i>Description</i>	<i>Ref.</i>	<i>Part Number</i>	<i>Qty.</i>	<i>Description</i>
2	92-0651	1	Case-Transmission	12	92-0787	1	O-Ring
3	92-0810	1	Cover-Upper, Sensor	13	92-0788	1	O-Ring
4	92-0653	1	Cover-Side	14	92-0790	1	O-Ring
5	92-0655	1	Cover-Seal, Axle	15	92-0793	1	Seal-Oil
6	92-0656	1	Cover-Upper, PTO	16	92-0796	5	Bolt
7	92-0743	1	Breather-Air	17	33104-025	4	Screw-HHF
8	92-0662	1	Cap-Oil	18	33104-025	4	Screw-HHF
9	92-0762	1	Washer-Spring	19	33104-040	10	Screw-HHF
10	92-0765	4	Pin-Parallel	20	92-0805	1	Stud-M8X18
11	92-0773	1	Plug-Drain	21	68-9400	1	Nut-Flange



Center Plate Assembly 4 Wheel Drive Transaxle Assembly No. 115-2175

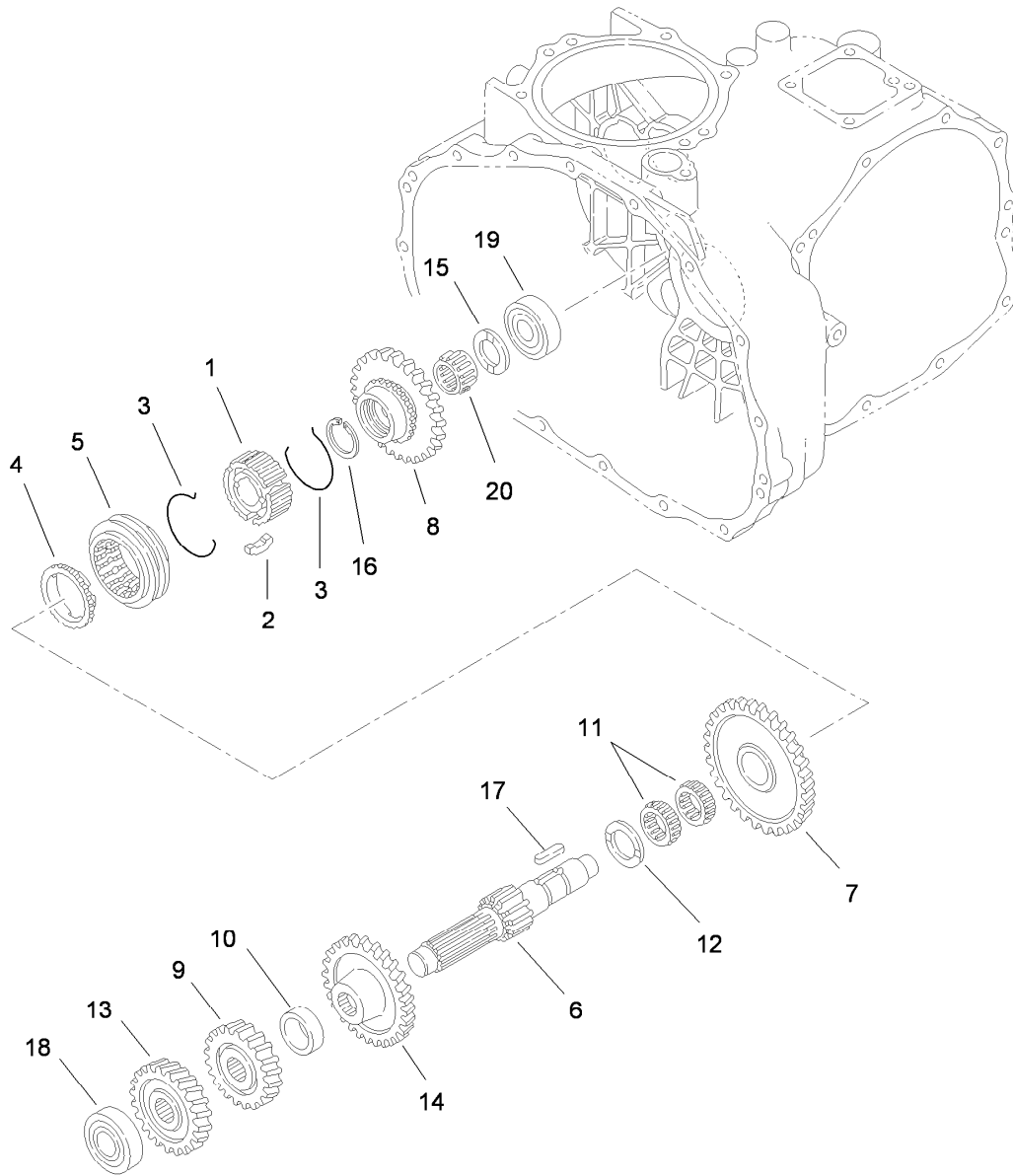
<i>Ref.</i>	<i>Part Number</i>	<i>Qty.</i>	<i>Description</i>
1	100-4462	1	Plate-Center, 4Wd
2	100-4460	1	Shim-Set
3	92-0706	1	Shaft-Fork
4	92-0759	1	Ring-Snap
5	92-0791	1	Seal-Oil
6	33104-025	3	Screw-HHF
7	33104-040	15	Screw-HHF
8	33104-050	1	Screw-HHF
9	92-0807	1	Cap-Sealing
10	100-4465	1	Shim (W/Tab)



Main Shaft Assembly 4 Wheel Drive Transaxle Assembly No. 115-2175

<i>Ref.</i>	<i>Part Number</i>	<i>Qty.</i>	<i>Description</i>
1	92-0663	1	Shaft-Main
2	92-0664	1	Hub-Synchro
3	92-0665	3	Key-Synchro
4	92-0666	2	Spring-Synchro
5	92-0667	2	Ring-Synchro
6	92-0668	1	Shifter-Synchro
7	92-0672	1	Gear-Main, 18 Tooth
8	92-0673	1	Gear-Main, 14 Tooth
9	110-2521	1	Gear-Main, 27 Tooth
10	110-2522	1	Gear- Main, 24 Tooth

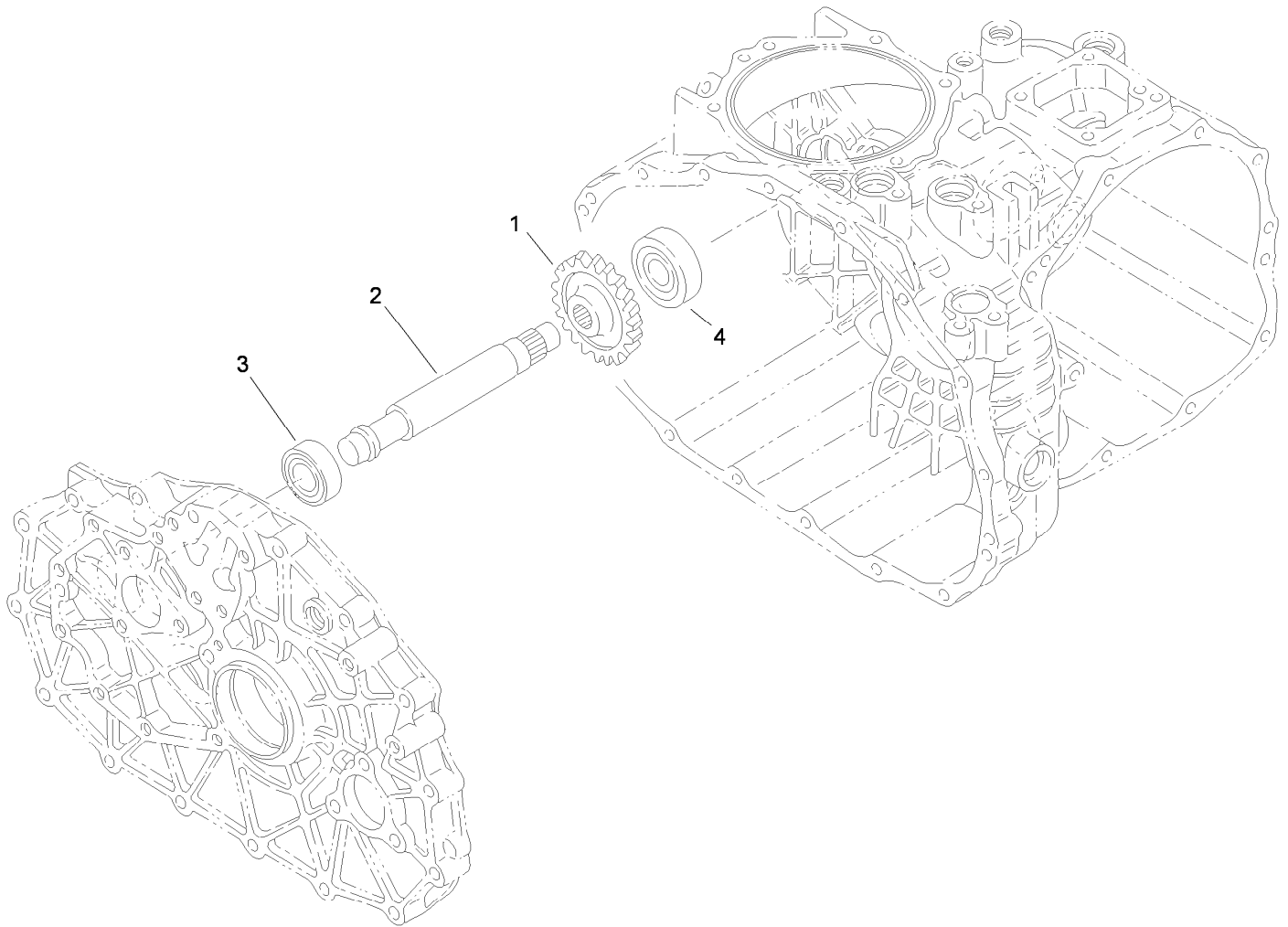
<i>Ref.</i>	<i>Part Number</i>	<i>Qty.</i>	<i>Description</i>
11	92-0687	1	Gear-Main, 16 Tooth
12	92-0740	2	Washer-Thrust
13	92-0650	1	Bearing
14	92-0753	1	Ring-Snap
15	92-0754	1	Ring-Snap
16	92-0763	2	Ring-Snap
17	92-0772	1	Key
18	251-8	1	Bearing-Ball
19	92-0781	4	Bearing-Needle



Reduction Shaft Assembly 4 Wheel Drive Transaxle Assembly No. 115-2175

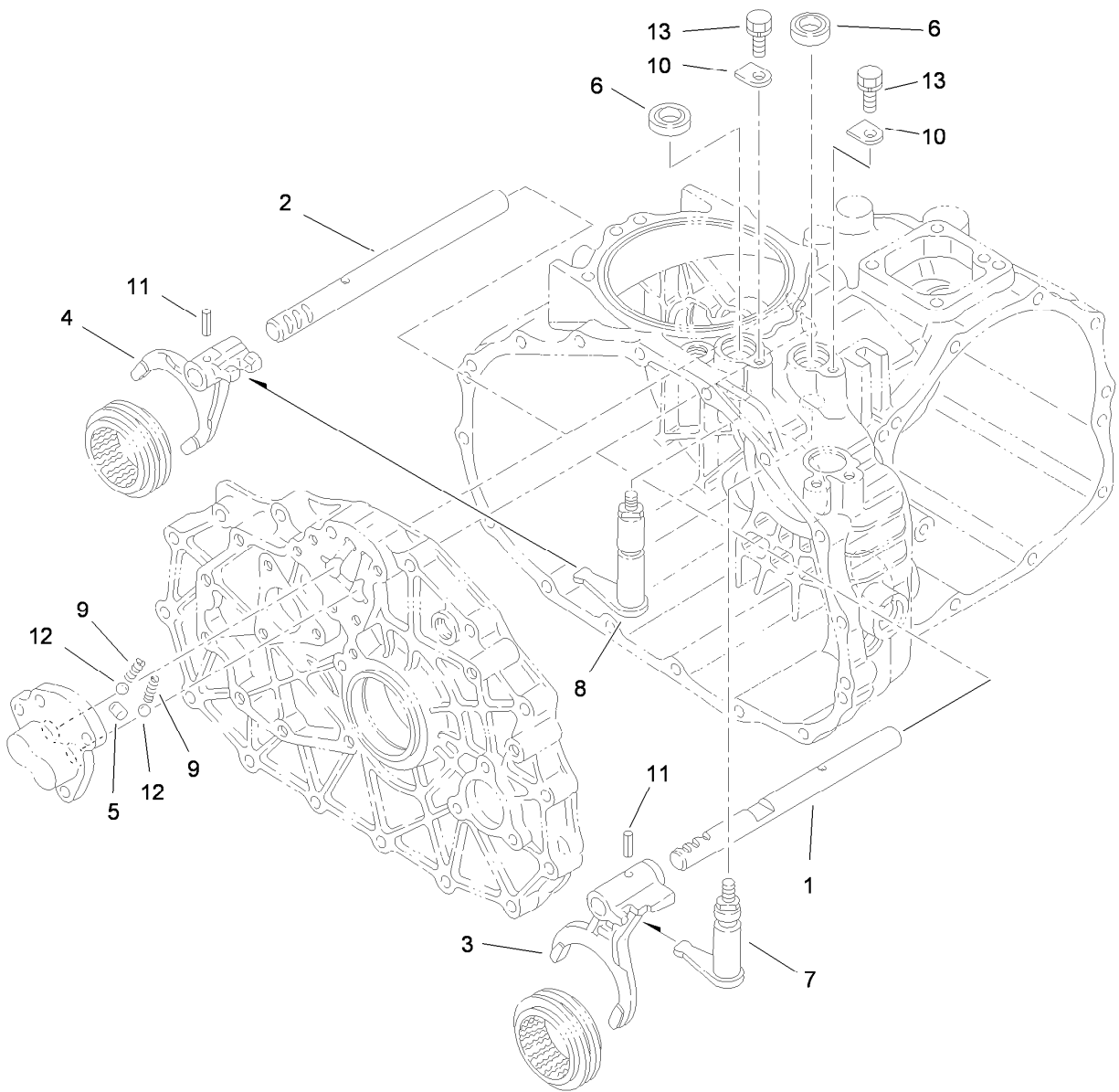
<i>Ref.</i>	<i>Part Number</i>	<i>Qty.</i>	<i>Description</i>
1	92-0664	1	Hub-Synchro
2	92-0665	3	Key-Synchro
3	92-0666	2	Spring-Synchro
4	92-0667	1	Ring-Synchro
5	92-0668	1	Shifter-Synchro
6	92-0674	1	Shaft-Reduction
7	110-2524	1	Gear- Reduction, 49 Tooth
8	92-0819	1	Gear-Reduction, 40 Tooth
9	92-0769	1	Pin-Roll
10	92-0680	1	Collar

<i>Ref.</i>	<i>Part Number</i>	<i>Qty.</i>	<i>Description</i>
11	92-0681	2	Bearing-Needle
12	92-0682	1	Washer-Thrust
13	92-0822	1	Gear-Reduction, 28 Tooth
14	92-0823	1	Gear-Reduction, 43 Tooth
15	92-0740	1	Washer-Thrust
16	92-0673	1	Gear-Main, 14 Tooth
17	92-0772	1	Key
18	105-7985	1	Bearing
19	92-0778	1	Bearing
20	92-0782	1	Bearing-Needle



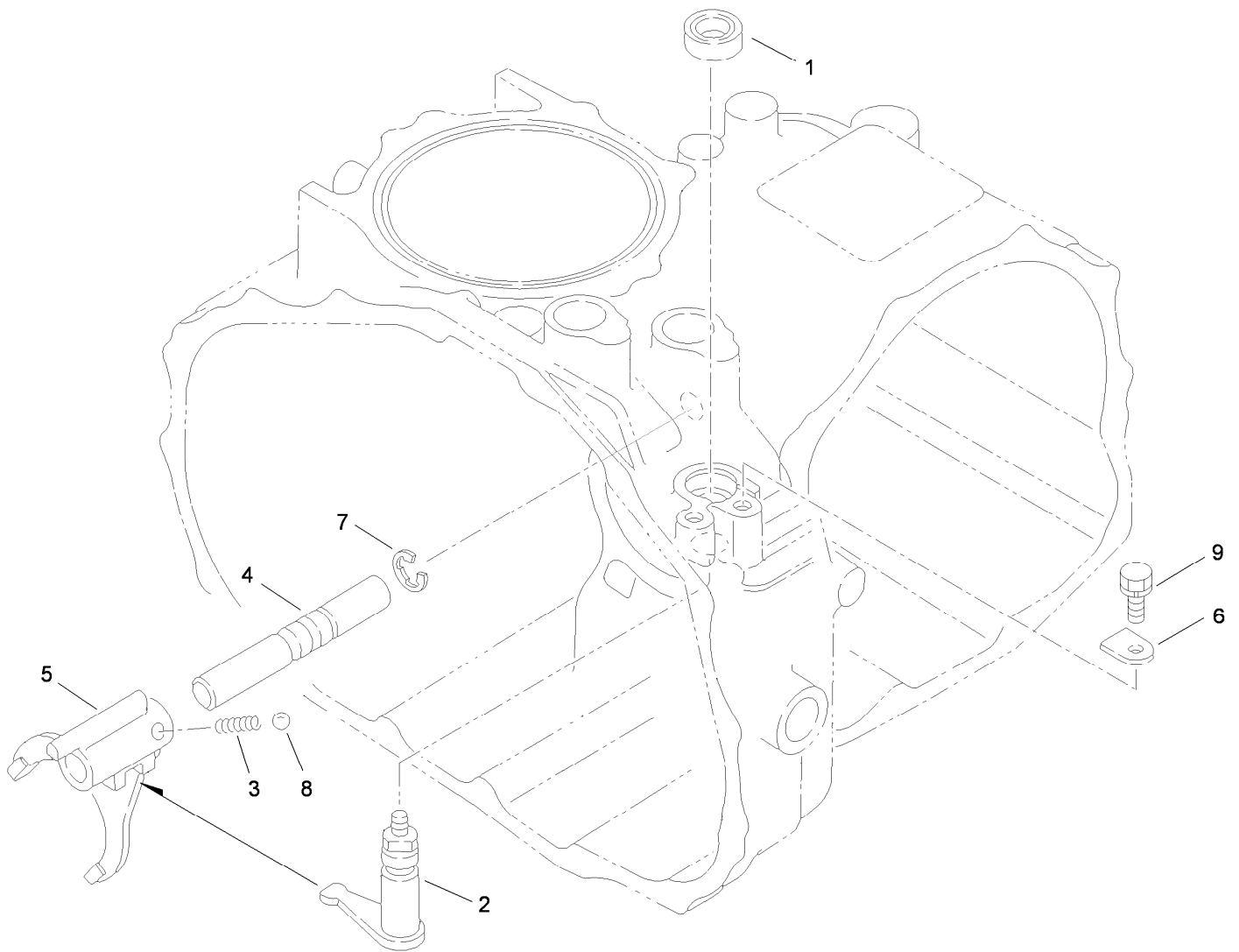
Reverse Shaft Assembly 4 Wheel Drive Transaxle Assembly No. 115-2175

<i>Ref.</i>	<i>Part Number</i>	<i>Qty.</i>	<i>Description</i>
1	92-0684	1	Gear-Reverse, 33 Tooth
2	92-0824	1	Shaft-Idler, Reverse
3	251-346	1	Bearing-Ball
4	92-0778	1	Bearing



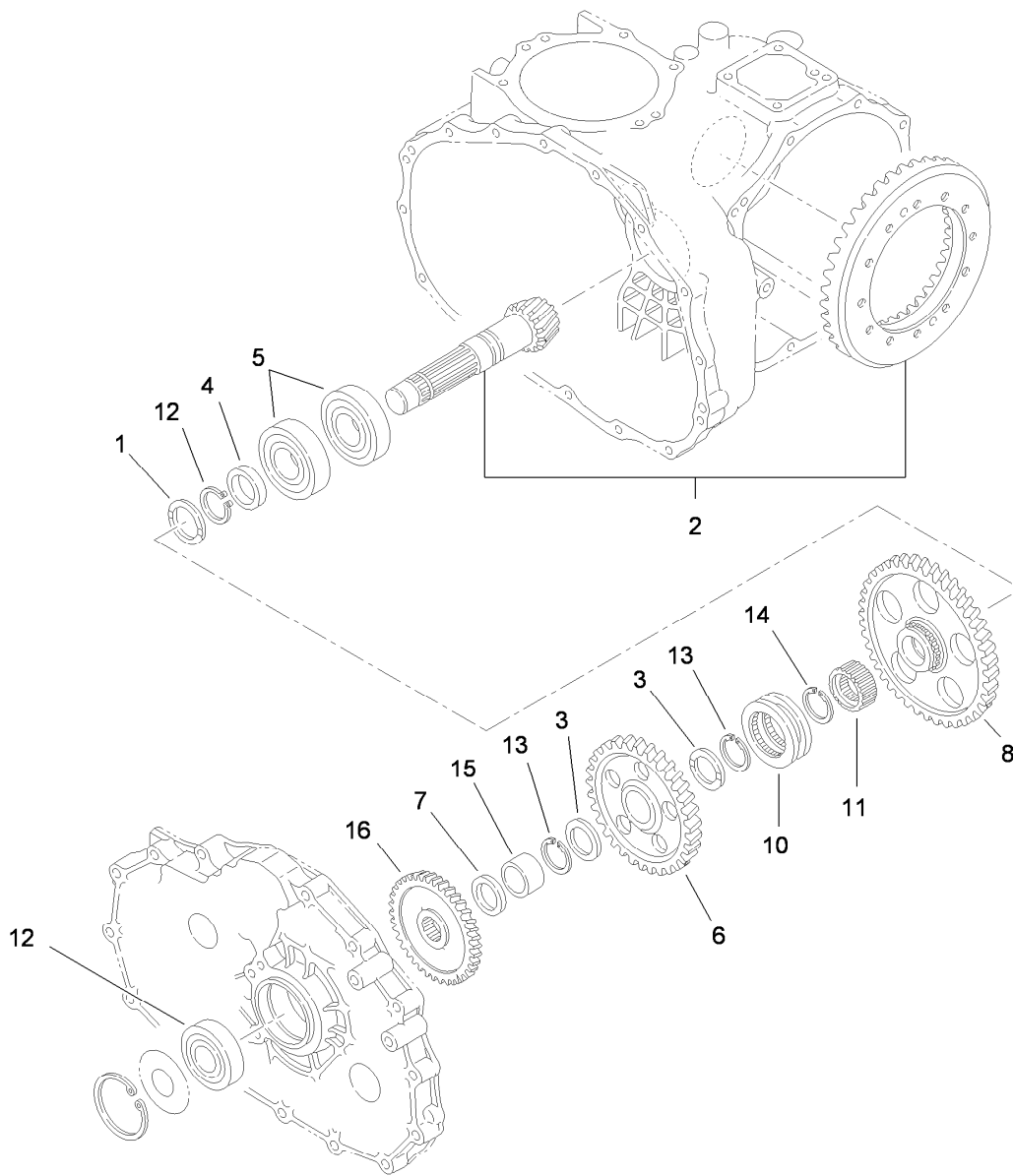
Main Shift Assembly 4 Wheel Drive Transaxle Assembly No. 115-2175

<i>Ref.</i>	<i>Part Number</i>	<i>Qty.</i>	<i>Description</i>
1	92-0698	1	Shaft-Fork
2	92-0699	1	Shaft-Fork
3	92-0700	1	Fork-Shift
4	92-0701	1	Fork-Shift
5	92-0705	1	Lock-Spindle
6	92-0729	2	Seal-Oil
7	92-0816	1	Arm-Shift
8	92-0817	1	Arm-Shift
9	92-0731	2	Spring
10	92-0732	2	Plate-Keeper
11	92-0769	2	Pin-Roll
12	92-0785	2	Ball-Steel
13	33104-016	2	Screw-HHF



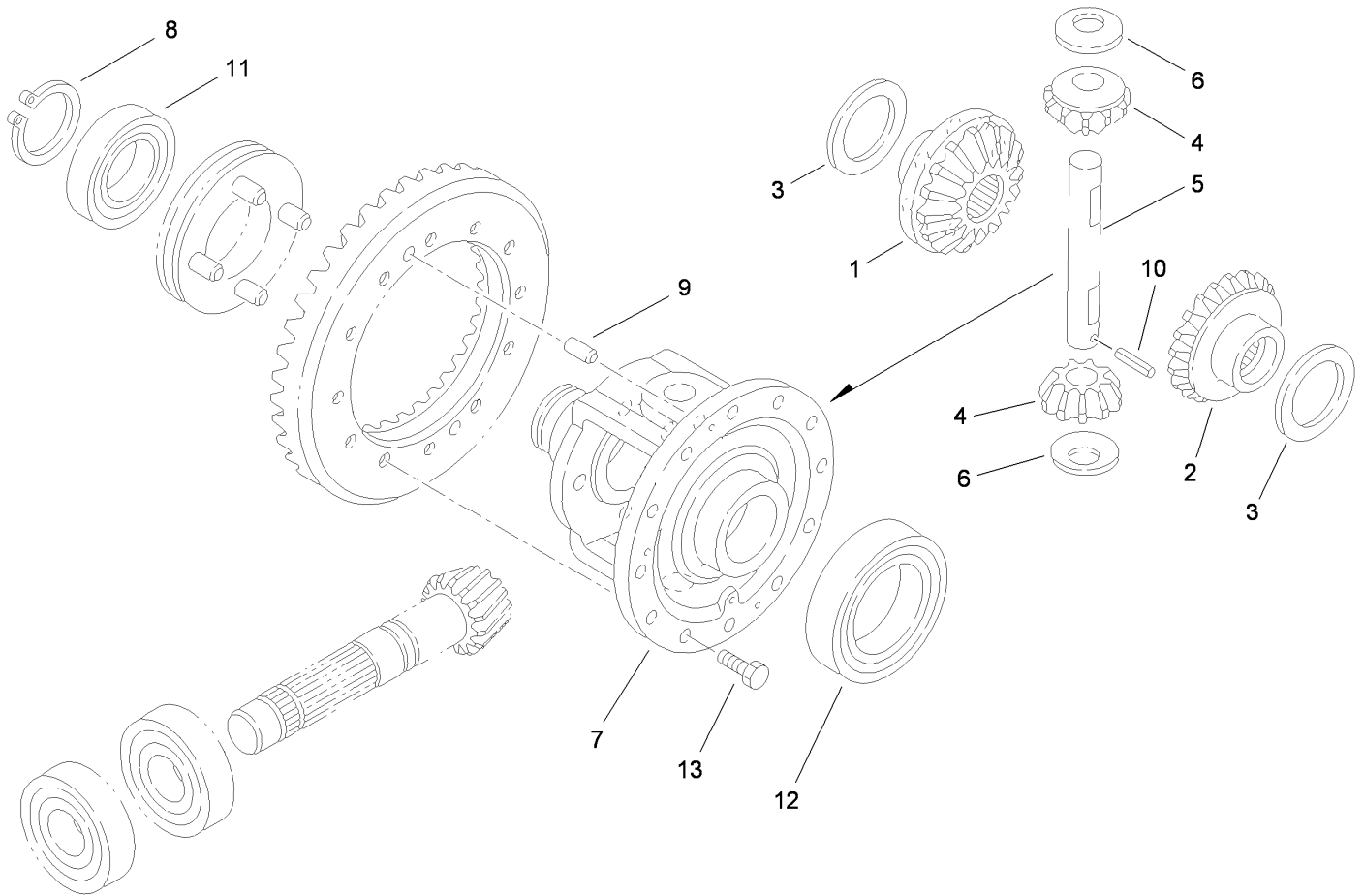
Hi-Lo Shift Assembly 4 Wheel Drive Transaxle Assembly No. 115-2175

<i>Ref.</i>	<i>Part Number</i>	<i>Qty.</i>	<i>Description</i>
1	92-0729	1	Seal-Oil
2	92-0818	1	Arm-Shift
3	92-0731	1	Spring
4	92-0708	1	Shaft-Fork
5	92-0709	1	Fork-Shift
6	92-0732	1	Plate-Keeper
7	92-0761	1	Ring-E
8	92-0785	1	Ball-Steel
9	33104-016	1	Screw-HHF



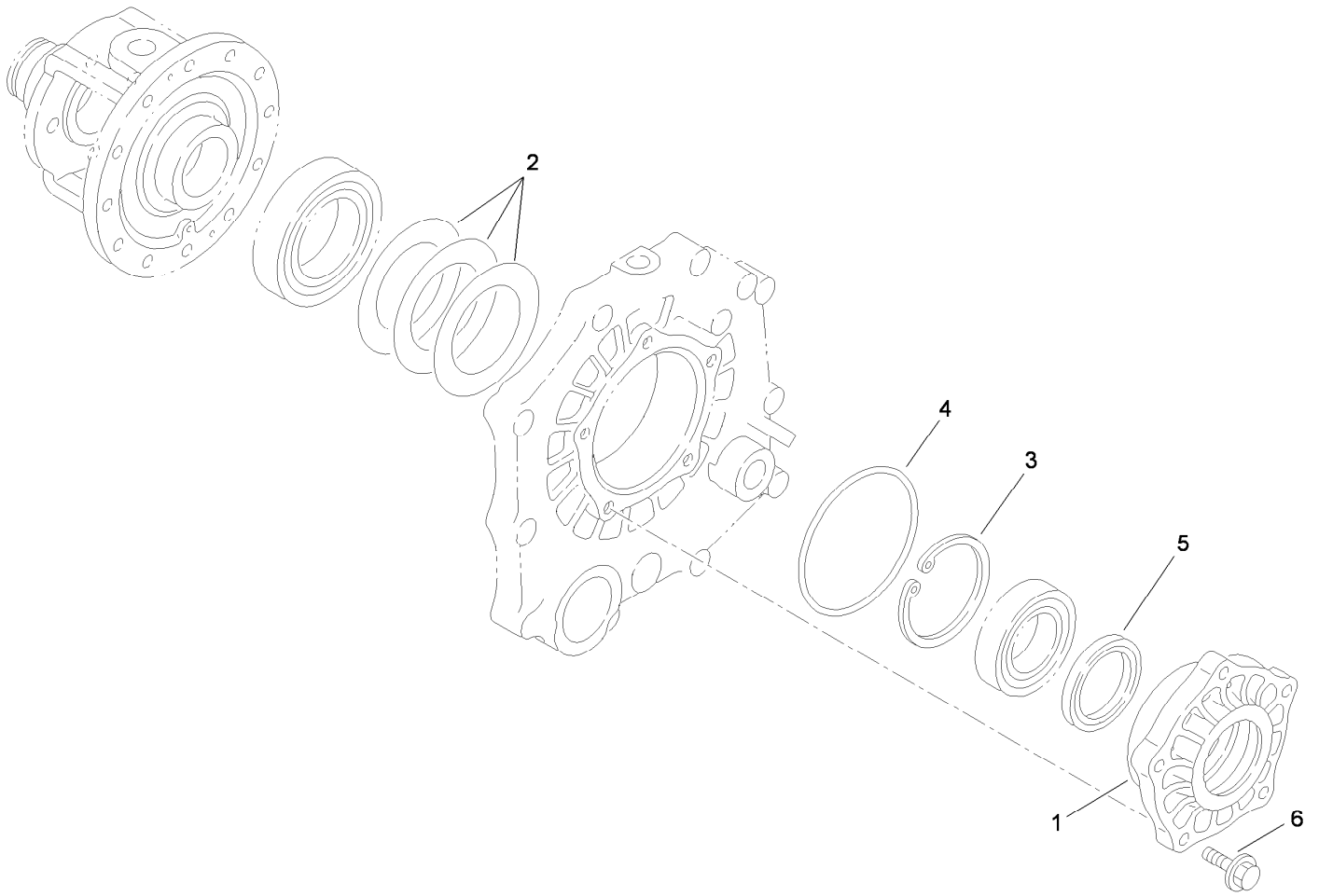
Countershaft Assembly 4 Wheel Drive Transaxle Assembly No. 115-2175

<i>Ref.</i>	<i>Part Number</i>	<i>Qty.</i>	<i>Description</i>
1	92-0741	1	Washer-Thrust
2	105-7983	1	Countershaft And Ring Gear ASM
3	92-0711	2	Washer-Thrust
4	92-0713	1	Collar
5	92-0714	2	Bearing
6	92-0715	1	Gear-Countershaft
7	92-0716	1	Collar
8	92-0717	1	Gear-Countershaft
10	92-0718	1	Shifter
11	105-7986	1	Collar-Spline
12	92-0712	1	Bearing-Ball
13	105-7987	2	Ring-Snap
14	92-0755	1	Ring-Snap
15	92-0783	1	Race-Inner
16	92-5186	1	Pinion



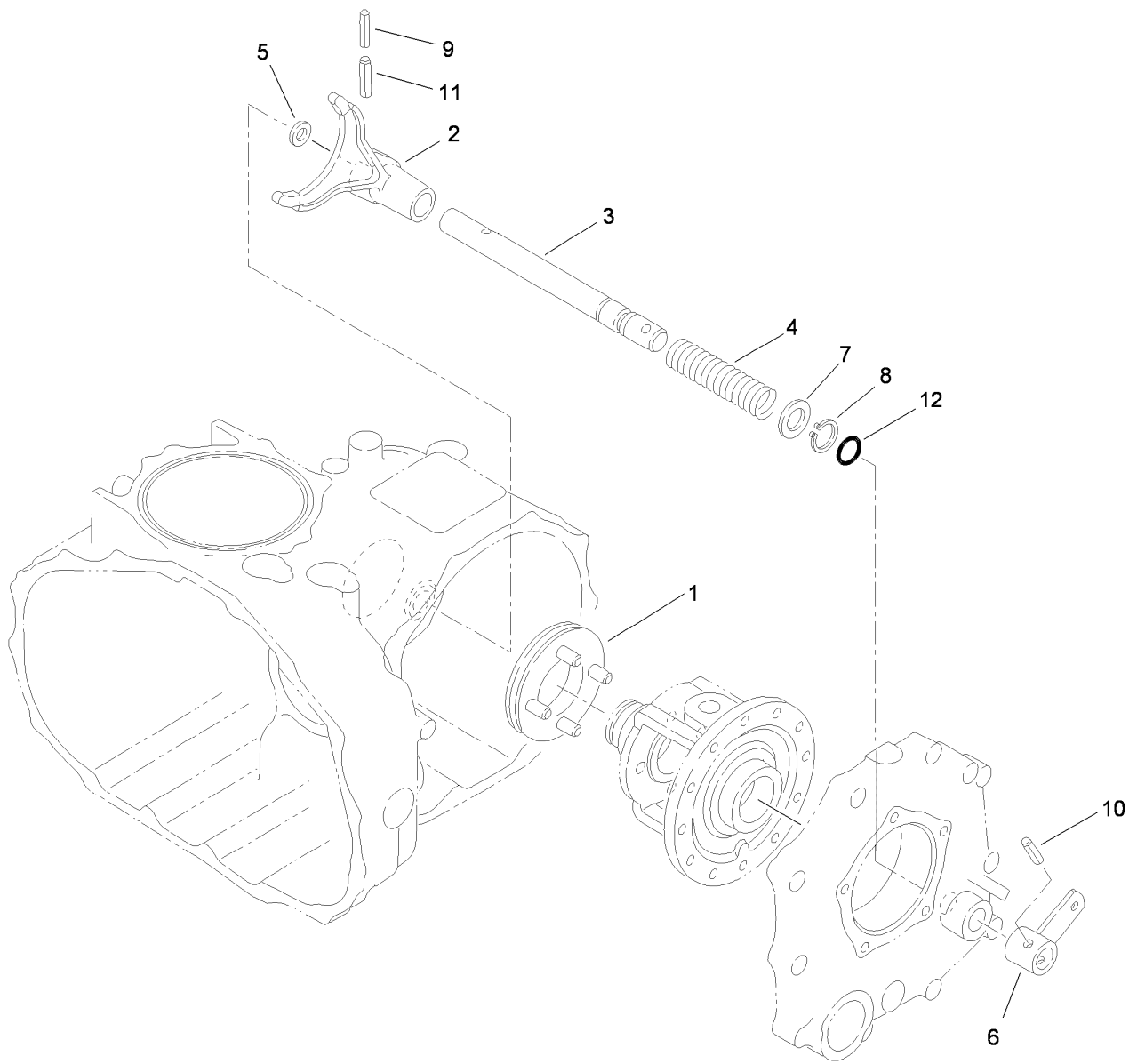
Differential Gear Assembly 4 Wheel Drive Transaxle Assembly No. 115-2175

<i>Ref.</i>	<i>Part Number</i>	<i>Qty.</i>	<i>Description</i>
1	92-0745	1	Gear-Side, LH
2	92-0746	1	Gear-Side, RH
3	92-0747	2	Side-Gear, Left Inner
4	92-0748	2	Pinion-Differential
5	92-0749	1	Shaft-Pinion
6	92-0750	2	Washer
7	92-0720	1	Case-Differential
8	92-0756	1	Ring-Snap
9	92-0765	2	Pin-Parallel
10	92-0768	1	Pin-Roll, Spring
11	92-0775	1	Bearing
12	92-0776	1	Bearing
13	92-0803	12	Bolt



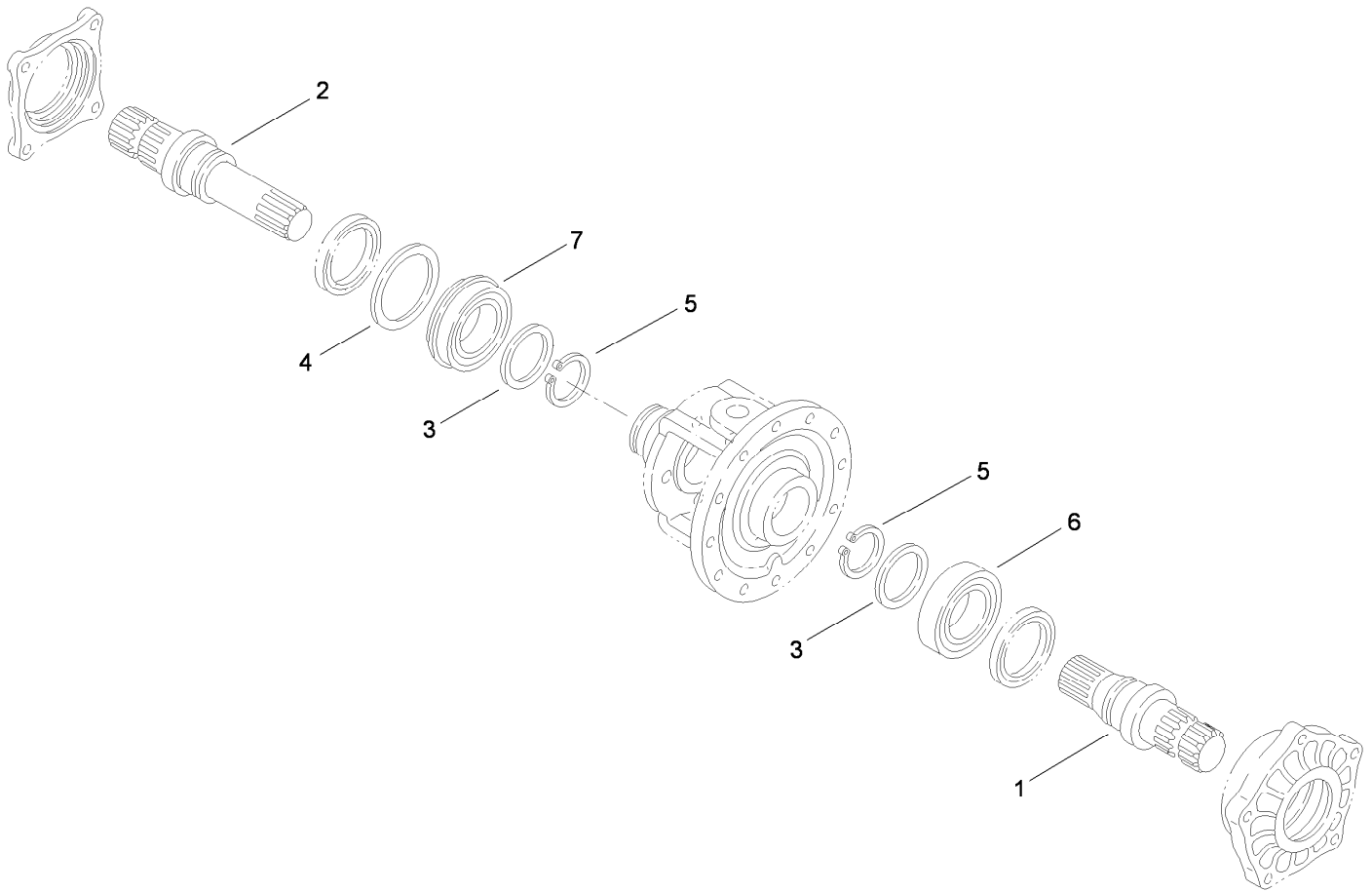
Differential Carrier Assembly 4 Wheel Drive Transaxle Assembly No. 115-2175

<i>Ref.</i>	<i>Part Number</i>	<i>Qty.</i>	<i>Description</i>
1	92-0654	1	Carrier-Differential
2	92-0809	1	Set-Shim
3	92-0760	1	Ring-Snap
4	92-0789	1	O-Ring
5	92-0793	1	Seal-Oil
6	33104-030	5	Screw-HHF



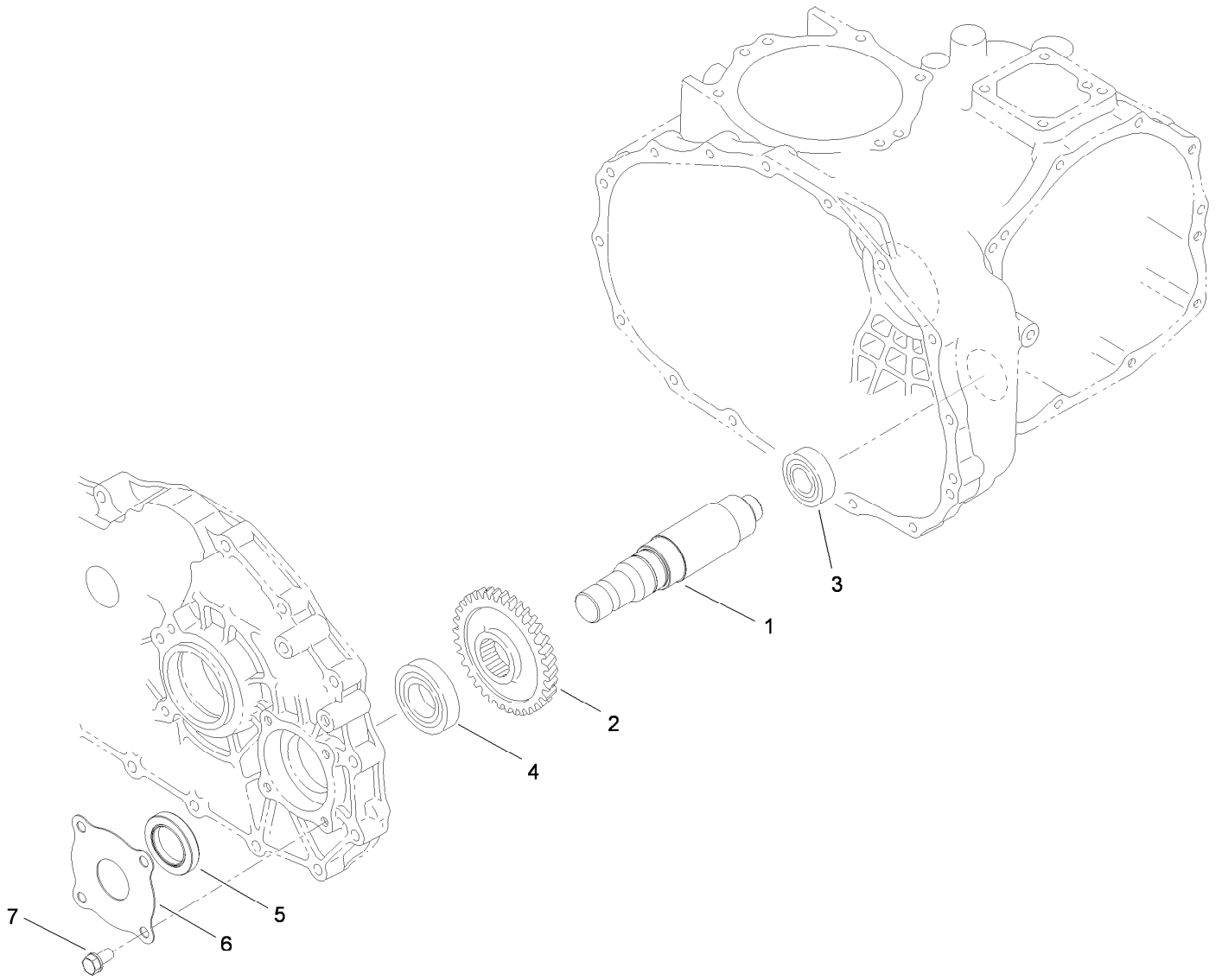
Differential Lock Assembly 4 Wheel Drive Transaxle Assembly No. 115-2175

<i>Ref.</i>	<i>Part Number</i>	<i>Qty.</i>	<i>Description</i>
1	92-0730	1	Slider-Differential, Lock
2	92-0721	1	Fork-Lock, Differential
3	92-0722	1	Shaft-Fork, Lock Differential
4	92-0723	1	Spring-Lock, Differential
5	92-0744	1	Washer
6	92-0724	1	Arm-Lock, Differential
7	92-0733	1	Washer
8	92-0753	1	Ring-Snap
9	92-0768	1	Pin-Roll, Spring
10	92-0770	1	Pin-Roll, Spring
11	92-0771	1	Pin-Roll, Spring
12	92-0787	1	O-Ring



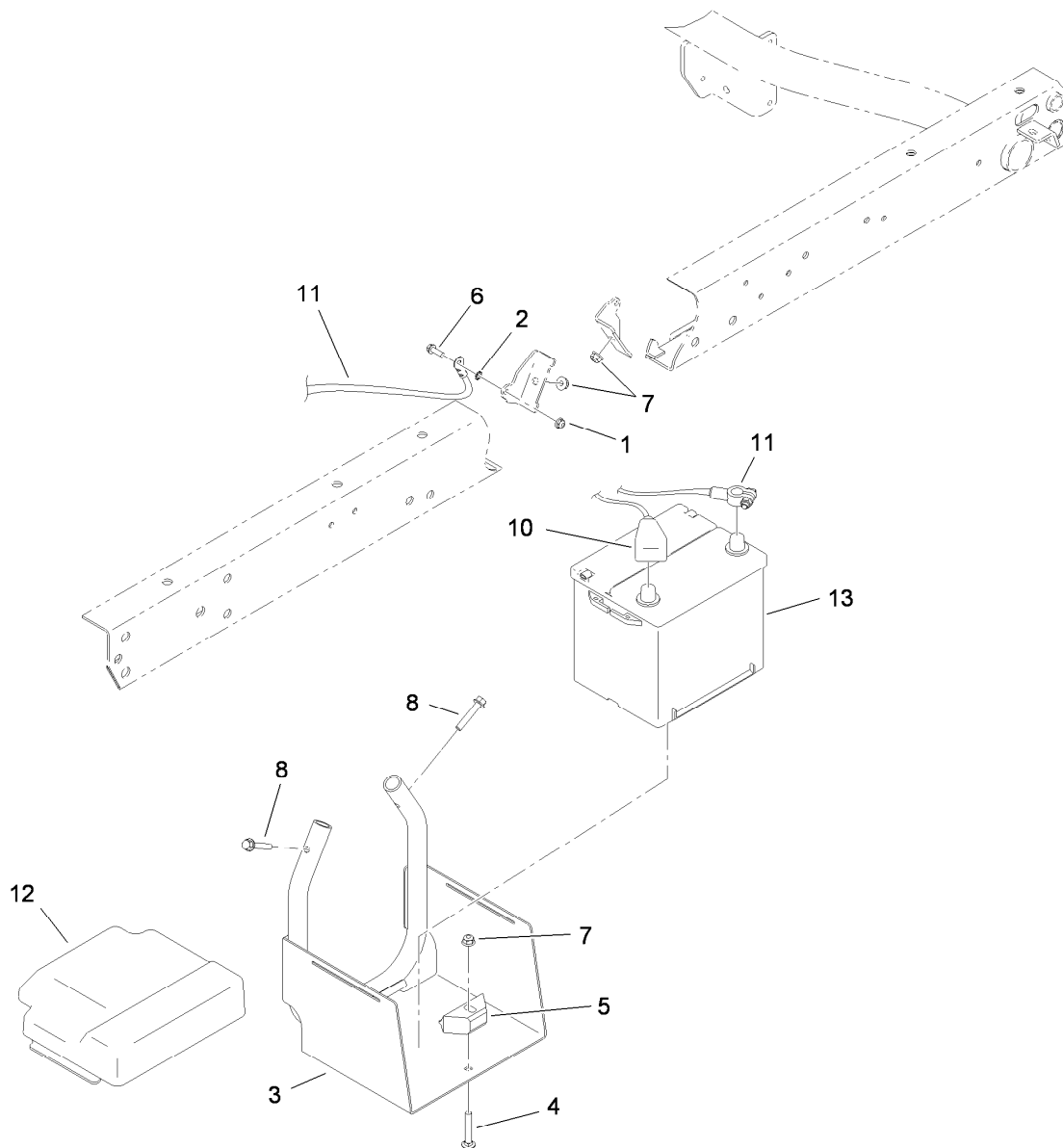
Axle Shaft Assembly 4 Wheel Drive Transaxle Assembly No. 115-2175

<i>Ref.</i>	<i>Part Number</i>	<i>Qty.</i>	<i>Description</i>
1	92-0725	1	Shaft-Axle, Left
2	92-0726	1	Shaft-Axle, Right
3	92-0727	2	Washer
4	92-0728	1	Washer
5	92-0756	2	Ring-Snap
6	92-0775	1	Bearing
7	92-0780	1	Bearing



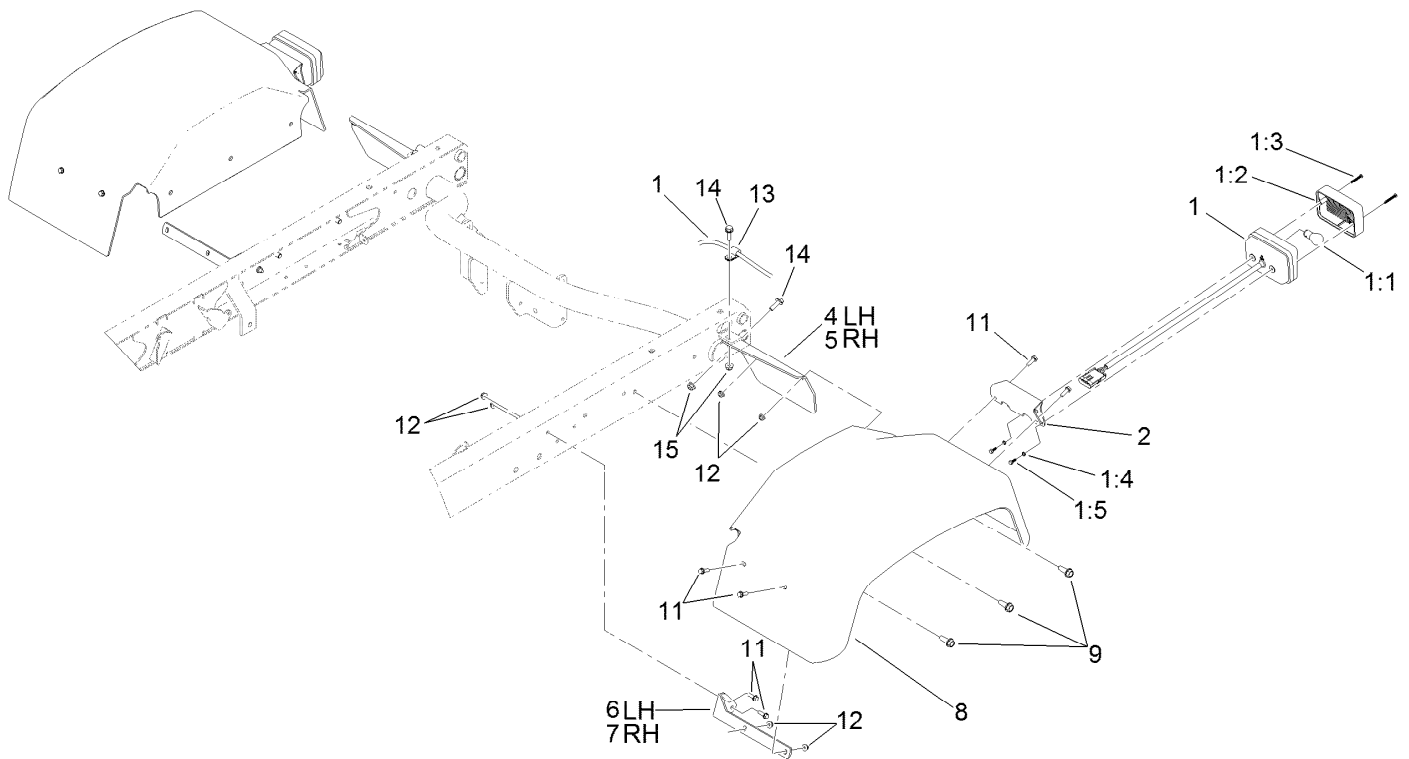
Front Drive Assembly 4 Wheel Drive Transaxle Assembly No. 115-2175

<i>Ref.</i>	<i>Part Number</i>	<i>Qty.</i>	<i>Description</i>
1	115-7828	1	Driveshaft-Front
2	92-5184	1	Gear
3	251-346	1	Bearing-Ball
4	92-5185	1	Bearing
5	115-7829	1	Seal
6	115-7830	1	Protector-Seal
7	33104-016	4	Screw-HHF



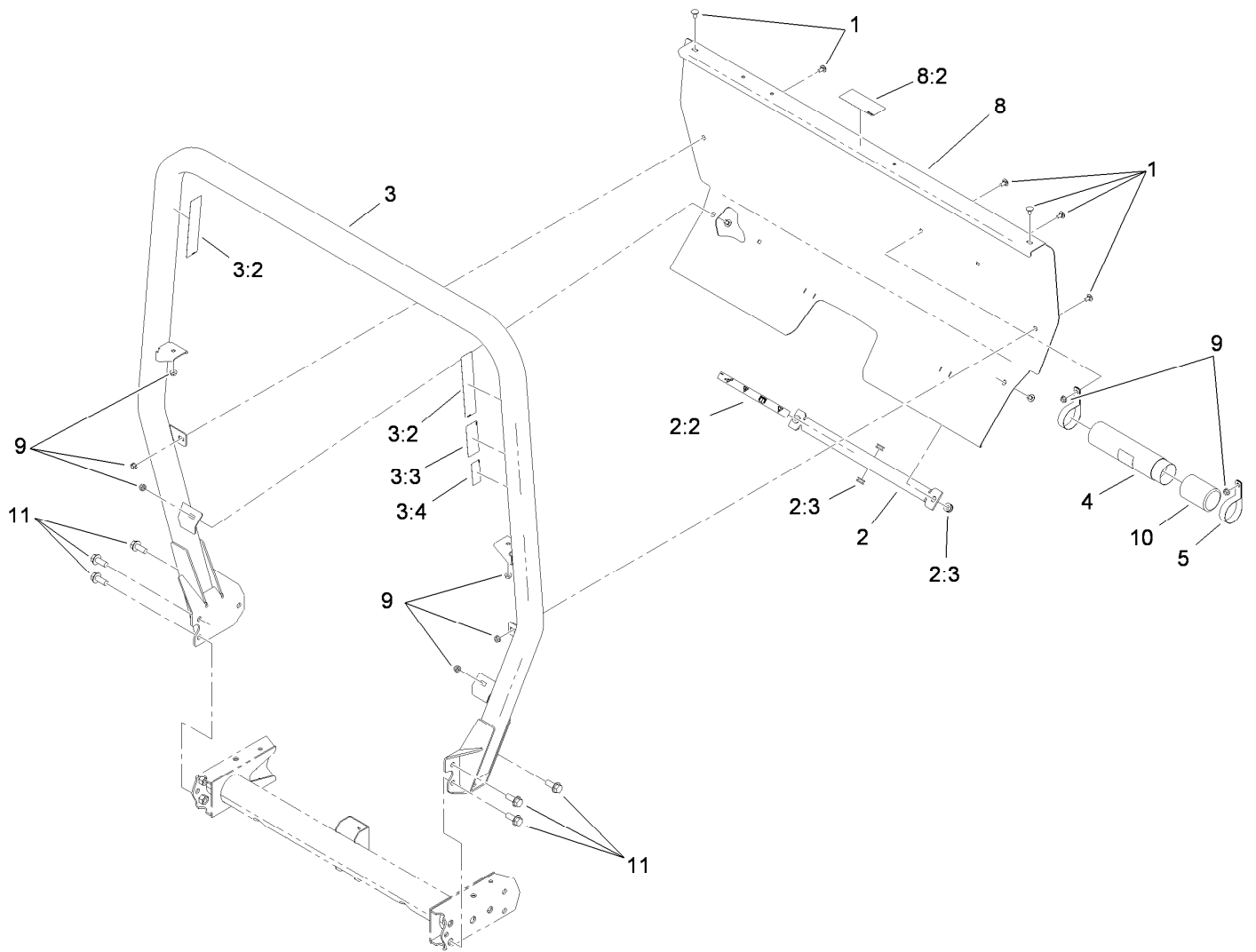
Battery Assembly

<i>Ref.</i>	<i>Part Number</i>	<i>Qty.</i>	<i>Description</i>
1	104-7201	1	Nut-HF
2	3255-8	1	Washer-Lock
3	115-2237-03	1	Battery Tray ASM
4	3230-6	1	Screw-CARR
5	66-2490	1	Retainer-Battery
6	32105-15	1	Screw
7	104-8300	3	Nut-Flange, NI
8	94-5780	2	Screw-HWH
10	87-8000	1	Cable-Battery, Positive
11	115-8112	1	Cable-Battery, Negative
12	115-2448	1	Cover-Battery
13	106-5187	1	Battery



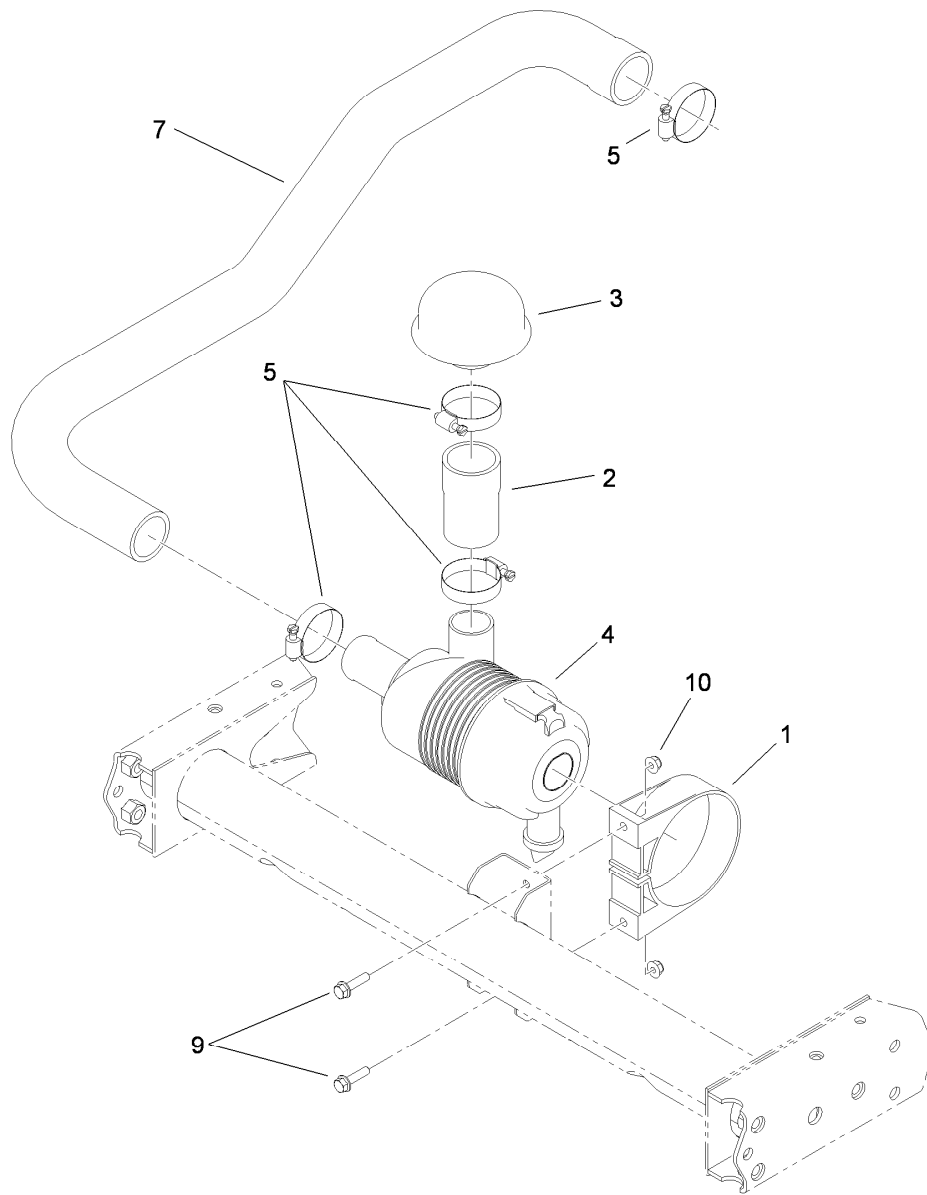
Tail Light and Fender Assembly

Ref.	Part Number	Qty.	Description	Ref.	Part Number	Qty.	Description
1	120-4820	2	Light-Tail, Brake	6	93-8941-03	1	Bracket-Fender, Front (LH)
1:1	115-7858	1	Bulb-7528	7	93-8942-03	1	Bracket-Fender, Front (RH)
1:2	121-6271	1	Lens-Tail Light	8	87-6660	2	Fender-Rear
1:3	121-6272	2	Screw-PPH	9	105-6245	6	Screw-Tapping
1:4	121-6273	2	Washer-Lock	11	32105-15	12	Screw
1:5	121-6274	2	Screw-HH	12	104-7201	12	Nut-HF
2	121-6269-03	2	Bracket-Tail Light	13	2412-93	2	Clamp-R
4	93-8943-03	1	Bracket-Fender, Rear (LH)	14	3234-17	4	Screw-HHF
5	93-8944-03	1	Bracket-Fender, Rear (RH)	15	104-8300	4	Nut-Flange, NI



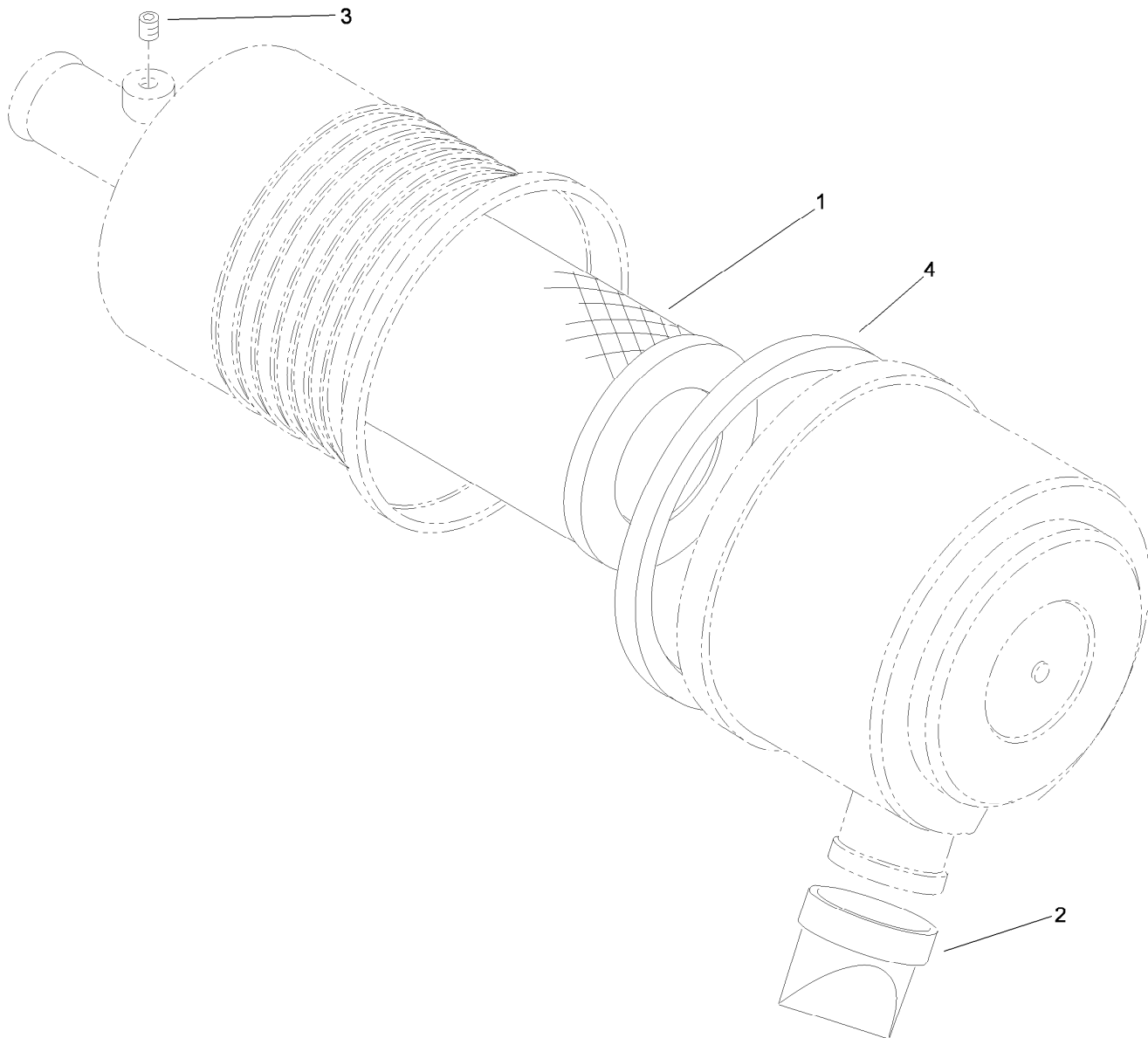
Roll-Over Protection System Assembly

Ref.	Part Number	Qty.	Description
1	3230-18	8	Screw-CARR
2	105-7960	1	Bed Support ASM
2:2	93-9852	1	Decal-Warning
2:3	92-5972	4	Grommet-Rubber
3	115-7910	1	ROPS ASM
3:2	106-7767	2	Decal-ROPS
3:3	93-9850	1	Decal-ROPS, Ce
3:4	117-4969	1	Decal-ROPS, Iso
4	104-7050	1	Tube-Manual
5	2412-133	2	R-Clamp
8	115-2213	1	ROPS Cover ASM
8:2	105-4215	1	Decal-Caution
9	32128-20	8	Nut-HF
10	104-7048	1	Cap-Housing
11	3234-38	6	Screw-HHF



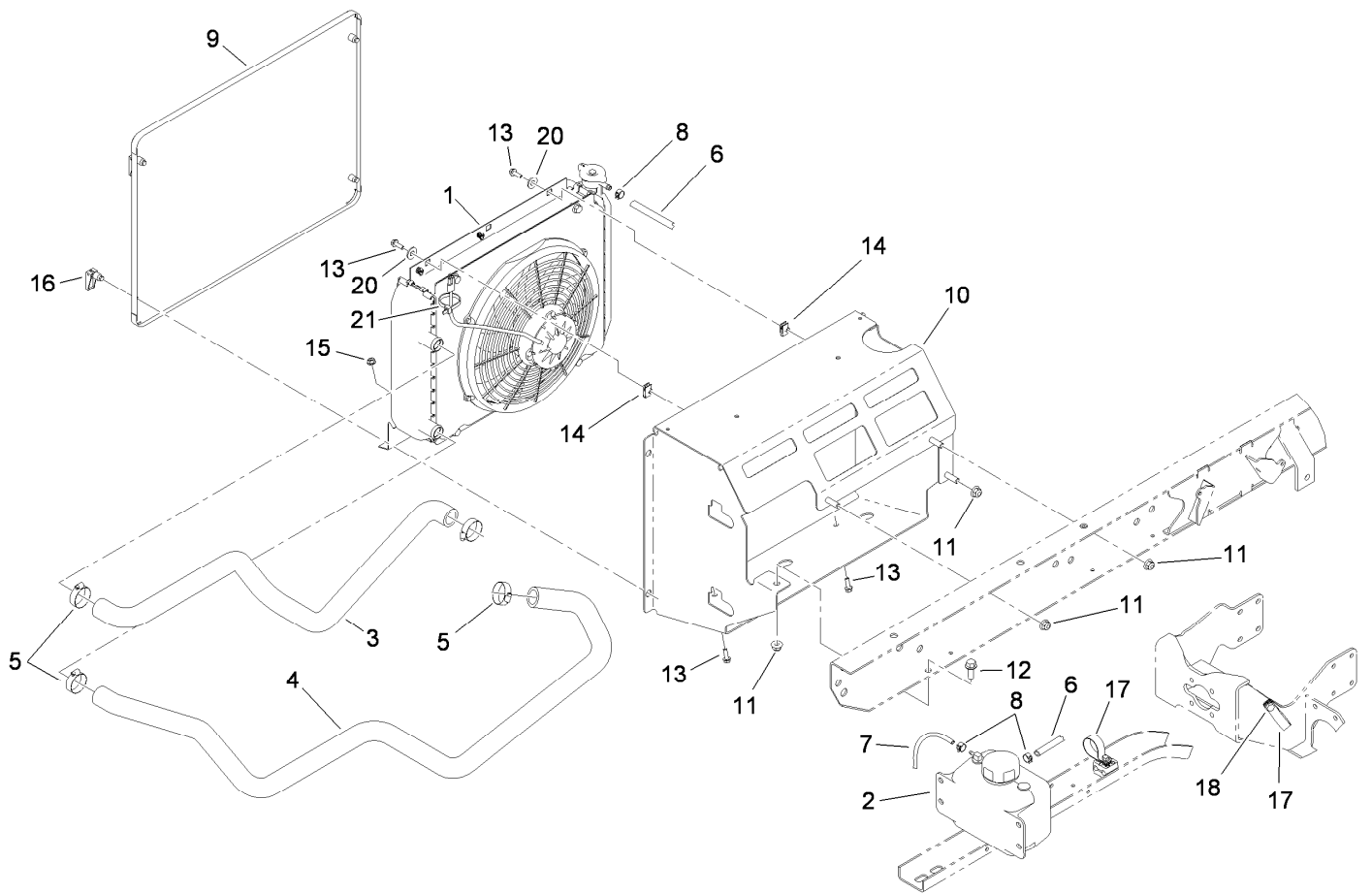
Air Cleaner Assembly

<i>Ref.</i>	<i>Part Number</i>	<i>Qty.</i>	<i>Description</i>
1	95-5806	1	Bracket-Mounting
2	107-7962	1	Hose-Cleaner, Air
3	46-7510	1	Hood-Inlet, Air
4	106-2416	1	Air Cleaner ASM
5	2412-92	4	Clamp-Hose
7	115-7755	1	Hose-Air Intake, Diesel
9	3234-36	2	Screw-HHF
10	104-8300	2	Nut-Flange, NI



Air Cleaner Assembly No. 106-2416

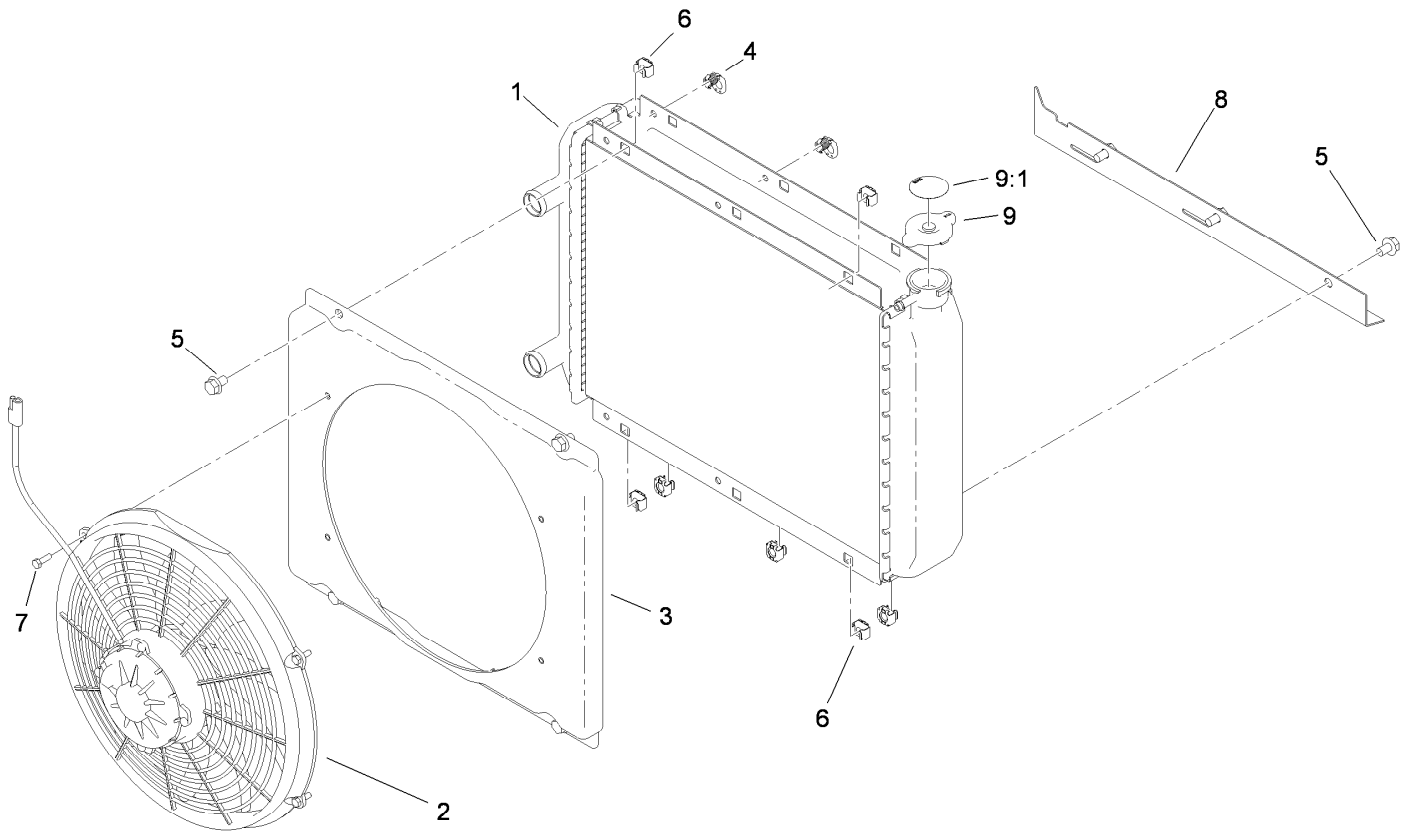
<i>Ref.</i>	<i>Part Number</i>	<i>Qty.</i>	<i>Description</i>
1	108-3811	1	Filter-Air
2	104-0498	1	Valve-Vacuator
3	285-17	1	Plug-Pipe
4	106-6748	1	Gasket



Cooling System Assembly

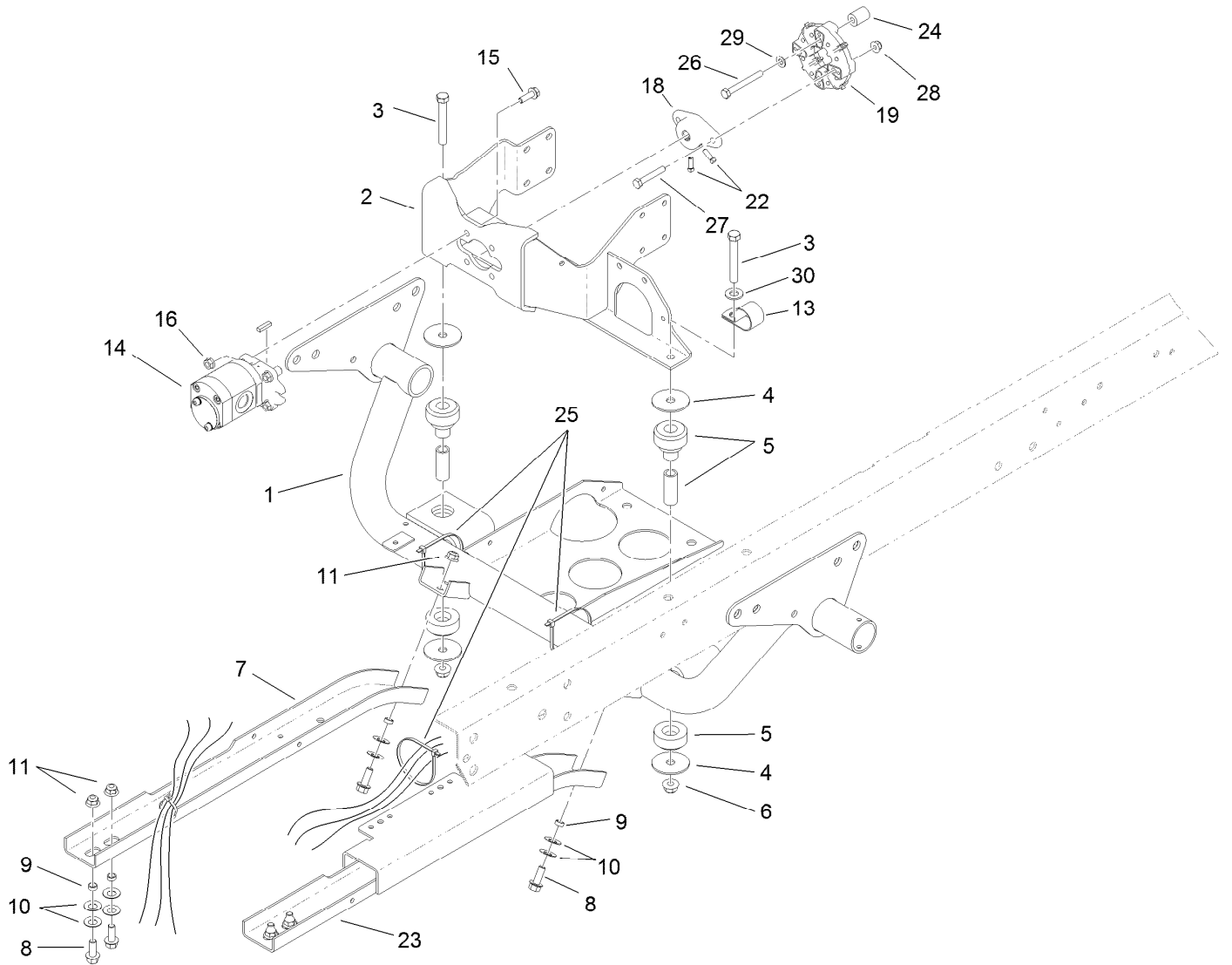
<i>Ref.</i>	<i>Part Number</i>	<i>Qty.</i>	<i>Description</i>	<i>Ref.</i>	<i>Part Number</i>	<i>Qty.</i>	<i>Description</i>
1		1	Radiator ASM ●	11	104-8301	4	Nut-Flange, NI
2	87-3710	1	Reservoir-Coolant	12	3234-11	1	Screw-HHF
3	115-7753	1	Hose-Coolant, Upper	13	3234-4	4	Screw-HHF
4	115-7752	1	Hose-Coolant, Lower	14	107069	2	Clip
5	2412-34	4	Clamp-Hose	15	32128-33	2	Nut-HF
6	110-4114	1	Hose-Fuel	16	74-5950	4	Latch-Swell
7	110-4104	1	Hose-Fuel	17	2412-74	2	R-Clamp
8	92-2379	3	Clamp-Hose	18	32144-11	1	Screw-HWHTF
9	115-2428-03	1	Screen-Radiator	20	3256-3	2	Washer-Flat
10	115-2434	1	Radiator Mount ASM	21	3290-379	1	Tie-Cable

● Not serviced separately



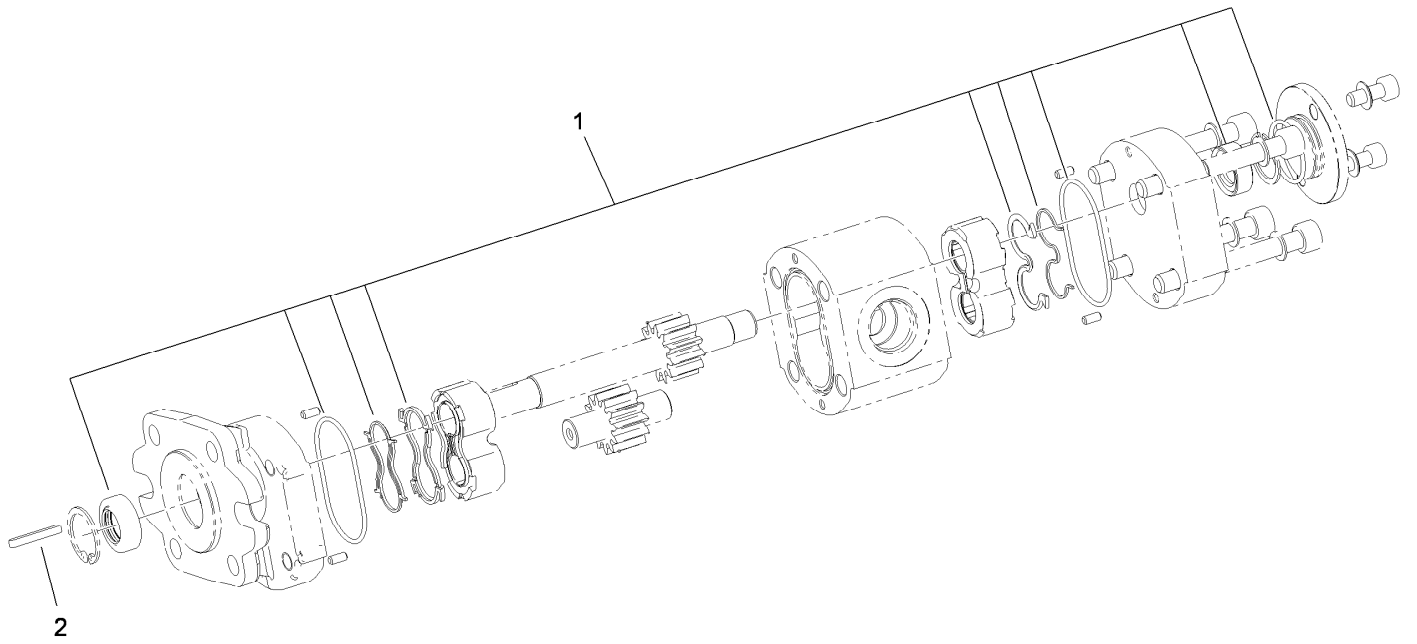
Radiator Assembly

<i>Ref.</i>	<i>Part Number</i>	<i>Qty.</i>	<i>Description</i>
1	114-8384	1	Radiator
2	114-8385	1	Fan-Electric
3	114-8386	1	Shroud
4	114-8387	2	Latch-Spring
5	3234-30	7	Screw-HHF
6	703856	7	Nut-Sq, Caged
7	60-6910	4	Screw-HH
8	115-7765	1	Plate-Mount, Lower
9	115-7766	1	Cap-Radiator
9:1	106-6755	1	Decal-Cap, Radiator



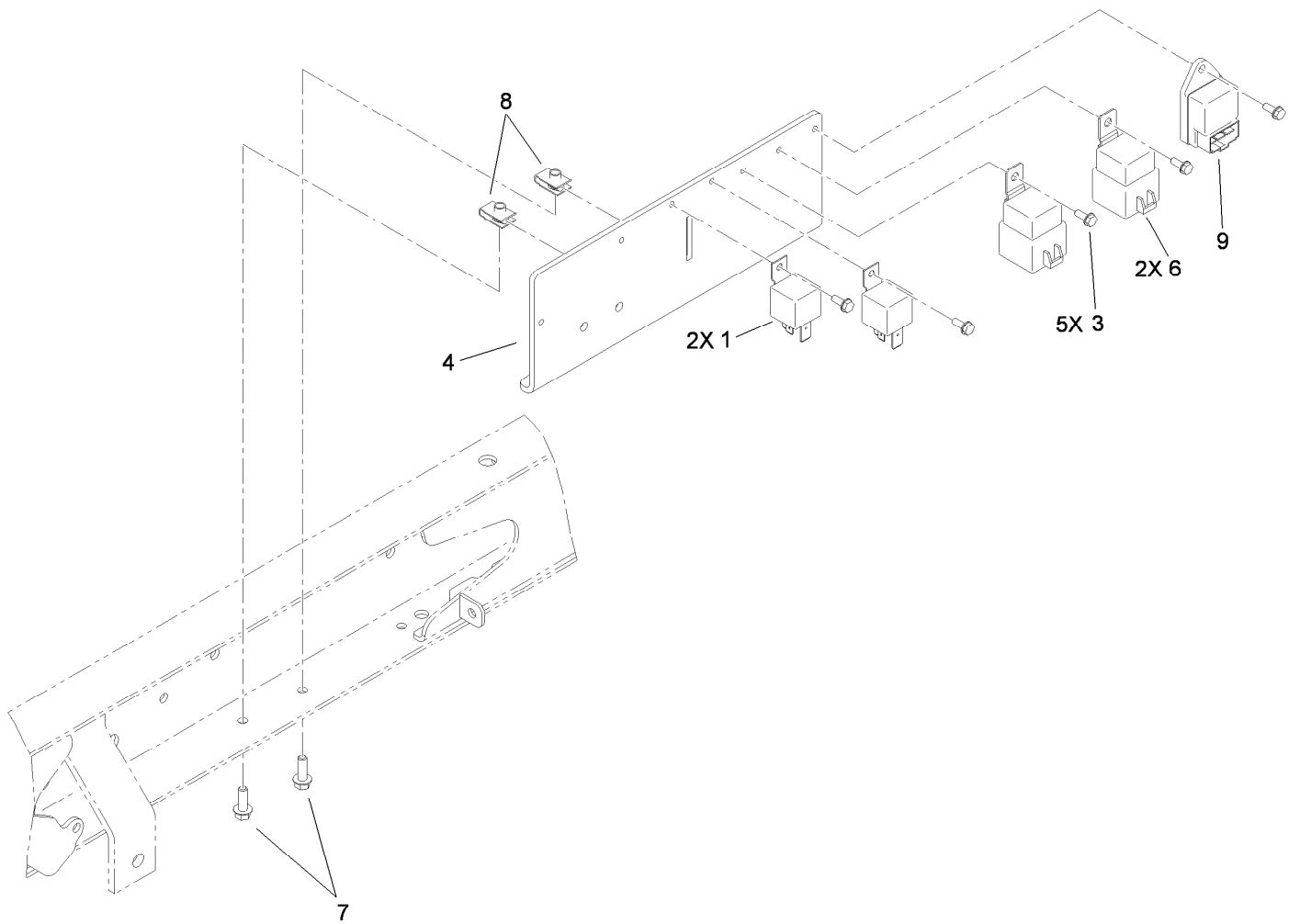
Engine Support Assembly

<i>Ref.</i>	<i>Part Number</i>	<i>Qty.</i>	<i>Description</i>	<i>Ref.</i>	<i>Part Number</i>	<i>Qty.</i>	<i>Description</i>
1	115-2256-03	1	Engine Support ASM	15	3234-17	4	Screw-HHF
2	114-8443-03	1	Pump/Engine Mount ASM	16	32128-20	4	Nut-HF
3	324-13	2	Screw-HH	18	115-2169	1	Hub-Pump
4	87-5100	4	Washer-Snubbing	19	119-0652	1	Coupler-Rubber
5	106-7865	2	Engine Mount ASM	22	3241-6	2	Screw-SQH
6	114-8417	2	Nut-HF, NI	23	115-2215-03	1	Guard-LH
7	87-4730-03	1	Guard-Belly	24	119-0718	2	Spacer
8	3234-11	6	Screw-HHF	25	3290-379	4	Tie-Cable
9	76-9100	6	Spacer-Speed, Reel	26	33114-070	2	Screw-HH
10	3290-413	12	Washer-Belleville	27	322-10	2	Screw-HH
11	104-8301	6	Nut-Flange, NI	28	104-8300	2	Nut-Flange, NI
13	2412-82	1	Clamp	29	3256-23	2	Washer-Flat
14	114-8302	1	Pump-HYD, Main	30	3256-26	1	Washer-Flat



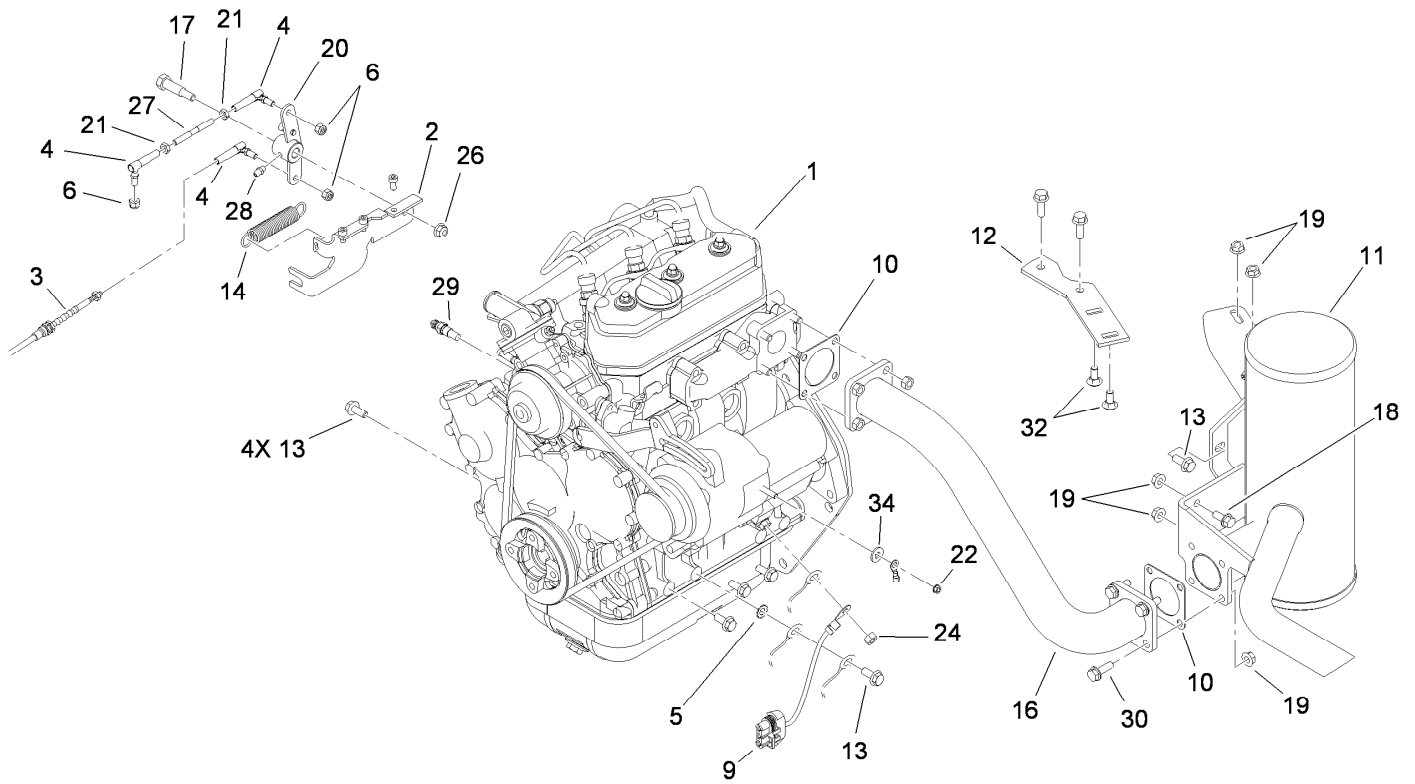
Hydraulic Gear Pump Assembly No. 114-8302

<i>Ref.</i>	<i>Part Number</i>	<i>Qty.</i>	<i>Description</i>
1	115-8696	1	Seal Kit
2	115-7855	1	Key-Square



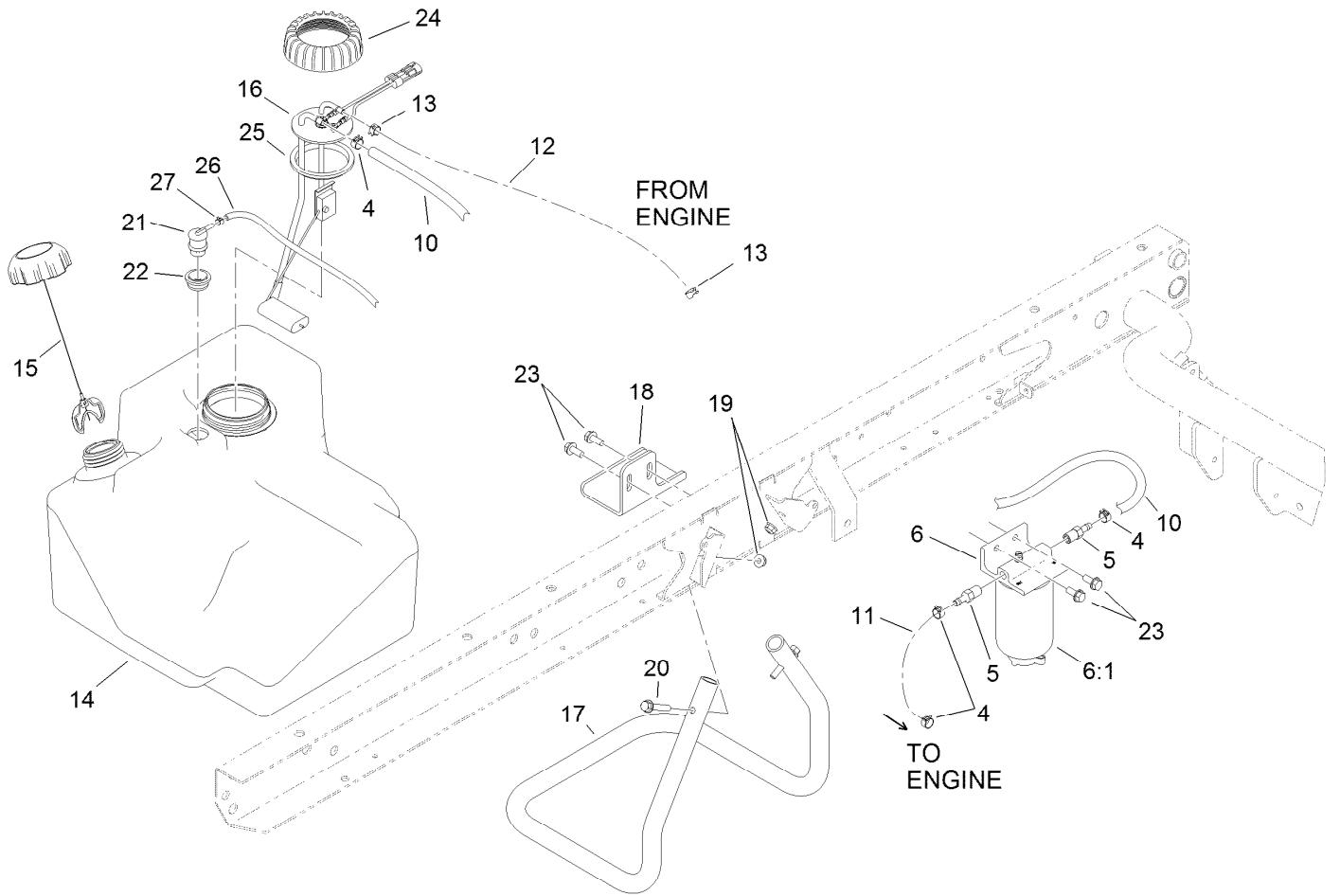
Relay Assembly

<i>Ref.</i>	<i>Part Number</i>	<i>Qty.</i>	<i>Description</i>
1	99-7435	2	Relay-Power
3	32144-112	5	Screw-HWH
4	115-2225	1	Bracket-Relay
6	99-7430	2	Relay
7	3234-4	2	Screw-HHF
8	107069	2	Clip
9	115-2292	1	Timer-Glow Plug



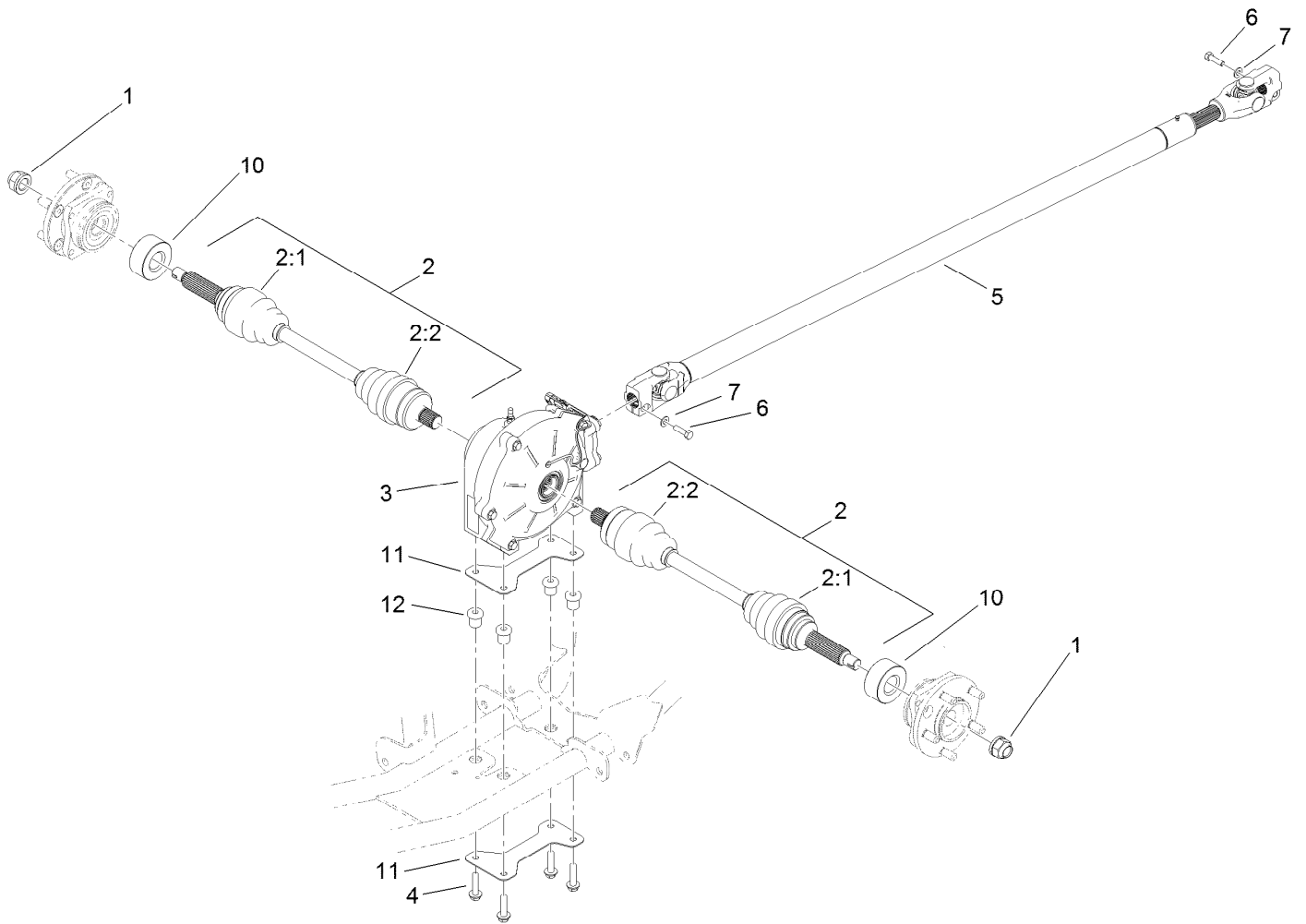
Engine Assembly

<i>Ref.</i>	<i>Part Number</i>	<i>Qty.</i>	<i>Description</i>	<i>Ref.</i>	<i>Part Number</i>	<i>Qty.</i>	<i>Description</i>
1	114-8320	1	Engine ASM	18	3234-5	2	Screw-HHF
2	106-2403	1	Bracket-Throttle, Diesel	19	32128-20	8	Nut-HF
3	115-2285	1	Cable-Accelerator	20	115-2425	1	Bell Crank ASM
4	18-1720	3	Governor Ball Joint ASM	21	3220-1	2	Nut-Jam
5	3255-8	1	Washer-Lock	22	33003-00	1	Nut-HF
6	3296-3	3	Nut-Lock	24	33014-00	1	Nut-Hex
9	99-3441	1	Harness-Wire, Fusible Link	26	104-8300	1	Nut-Flange, NI
10	105-4209	2	Gasket-Muffler	27	105-1789	1	Rod-Threaded
11	115-7725	1	Muffler	28	302-5	1	Fitting-Grease
12	105-9472	1	Plate-Mount, Muffler	29	94-7621	1	Sender-Temperature
13	98-7977	9	Screw-HHF	30	3234-17	4	Screw-HHF
14	86-4760	1	Spring-Extension	32	3230-1	2	Bolt-CARR
16	108-3066	1	Exhaust Tube ASM	34	3256-2	1	Washer-Flat
17	7-0030	1	Screw-Shoulder, HH				



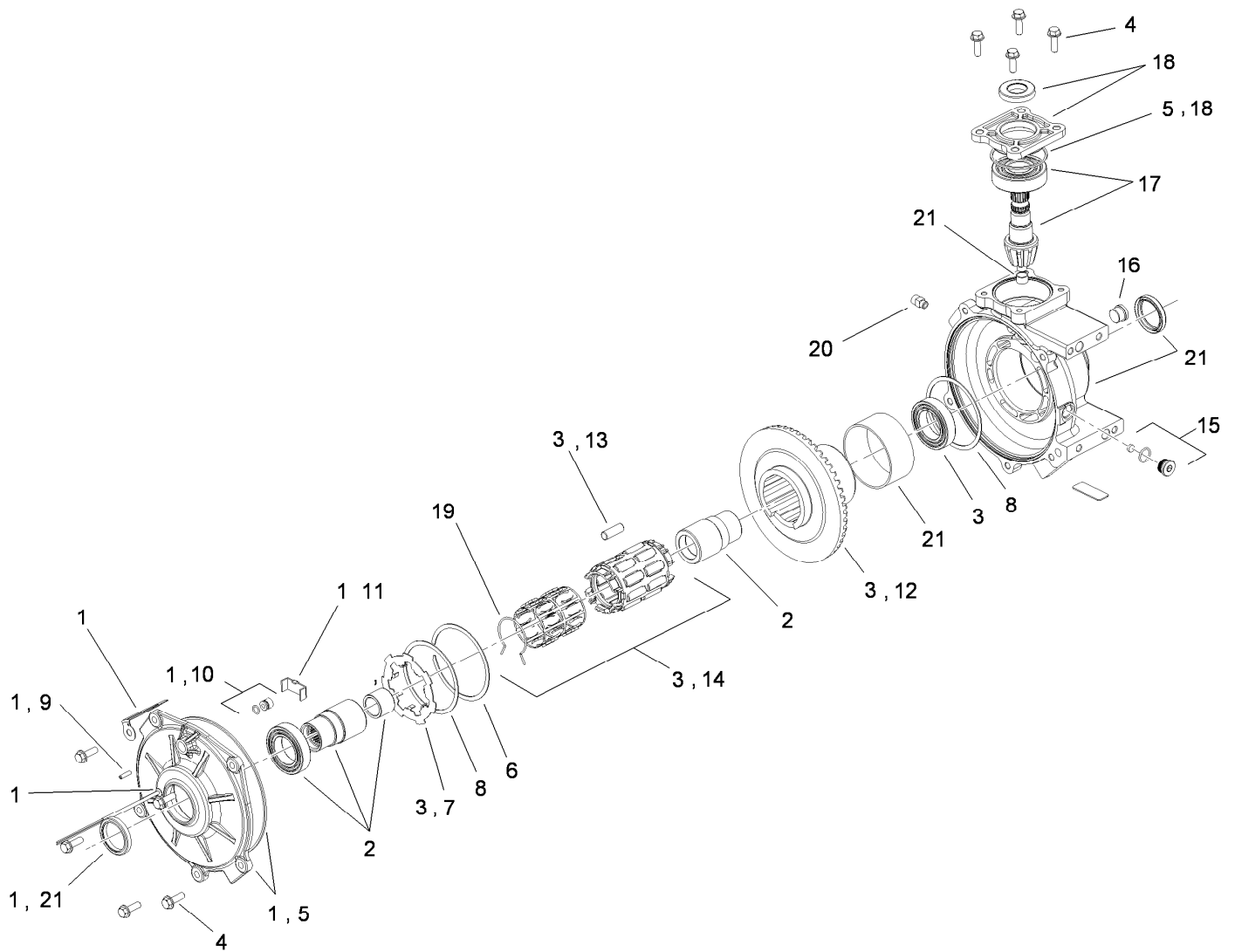
Fuel System Assembly

Ref.	Part Number	Qty.	Description	Ref.	Part Number	Qty.	Description
4	92-2379	4	Clamp-Hose	17	115-7767-03	1	Tube-Support
5	353-783	2	Fitting-Straight	18	114-8404	1	Plate-Retainer
6	110-9044	1	Filter-Seperator	19	104-8300	2	Nut-Flange, NI
6:1	110-9049	1	Filter-Spin On	20	94-5780	2	Screw-HWH
10	110-8802	1	Hose-Fuel	21	114-0285	1	Valve-Rollover
11	110-4112	1	Hose-Fuel	22	114-0284	1	Grommet
12	110-1872	1	Hose-Fuel	23	32144-11	4	Screw-HWHTF
13	2412-98	2	Clamp-Hose	24	115-2162	1	Cap-Pump, Fuel
14	119-0735	1	Tank-Fuel	25	115-2163	1	Gasket-Pump, Fuel
15	115-7789	1	Cap-Fuel, Diesel	26	110-8255	1	Hose-Fuel
16	114-8348	1	Sender-Fuel	27	2412-146	1	Clamp-Hose



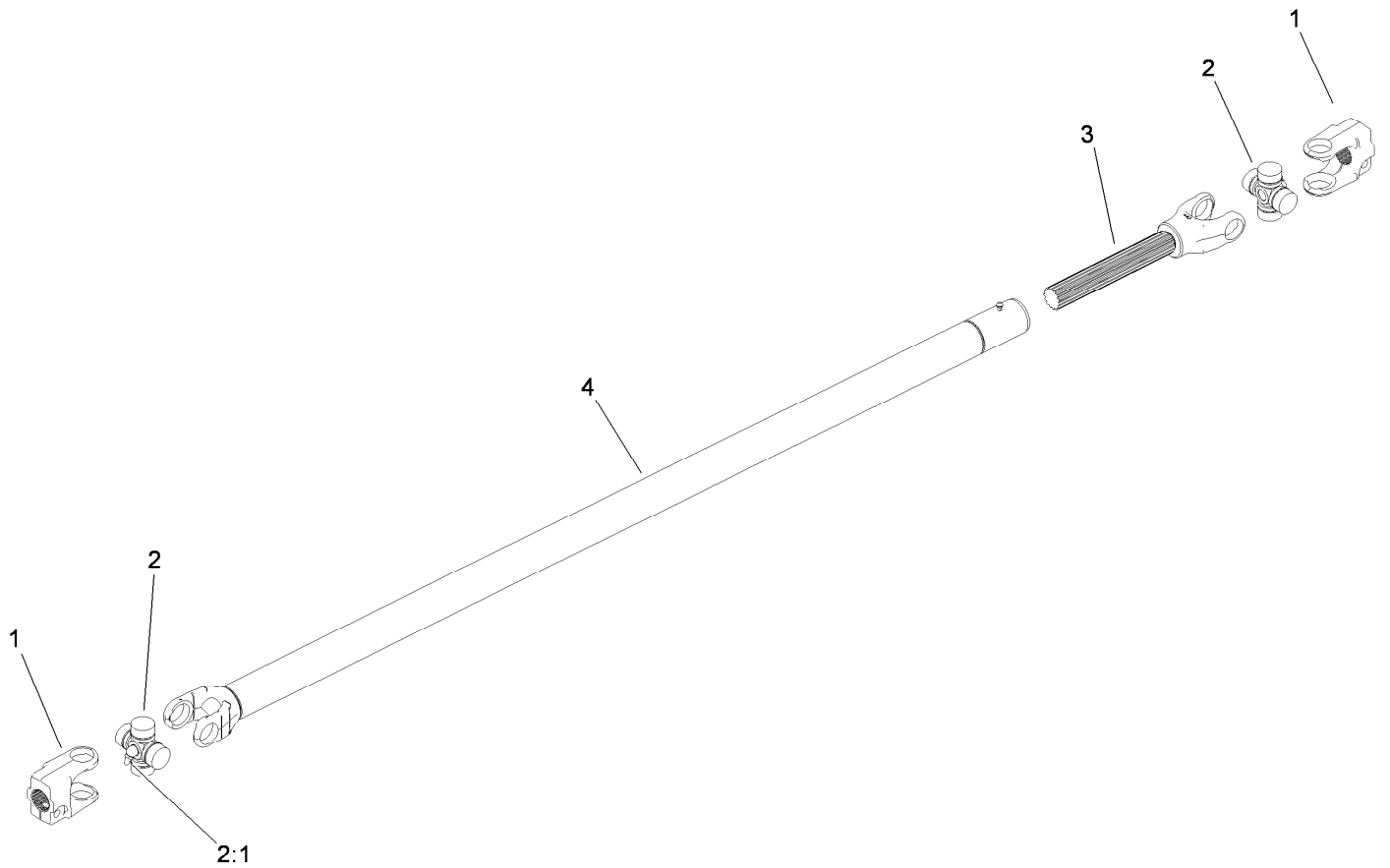
4 Wheel Drive Assembly

Ref.	Part Number	Qty.	Description
1	115-2164	2	Nut-Spindle
2	115-2172	2	Cv Axle ASM
2:1	107-2891	1	Outboard Boot Kit
2:2	107-2892	1	Inboard Boot Kit
3	119-0824	1	Differential ASM
4	3234-18	4	Screw-HHF
5	115-2171	1	Driveshaft ASM
6	3210-6	2	Screw-HH
7	3256-23	2	Washer-Flat
10	115-2254	2	Spacer-Axle
11	119-9477-03	2	Plate-Differential
12	63-9750	4	Mount



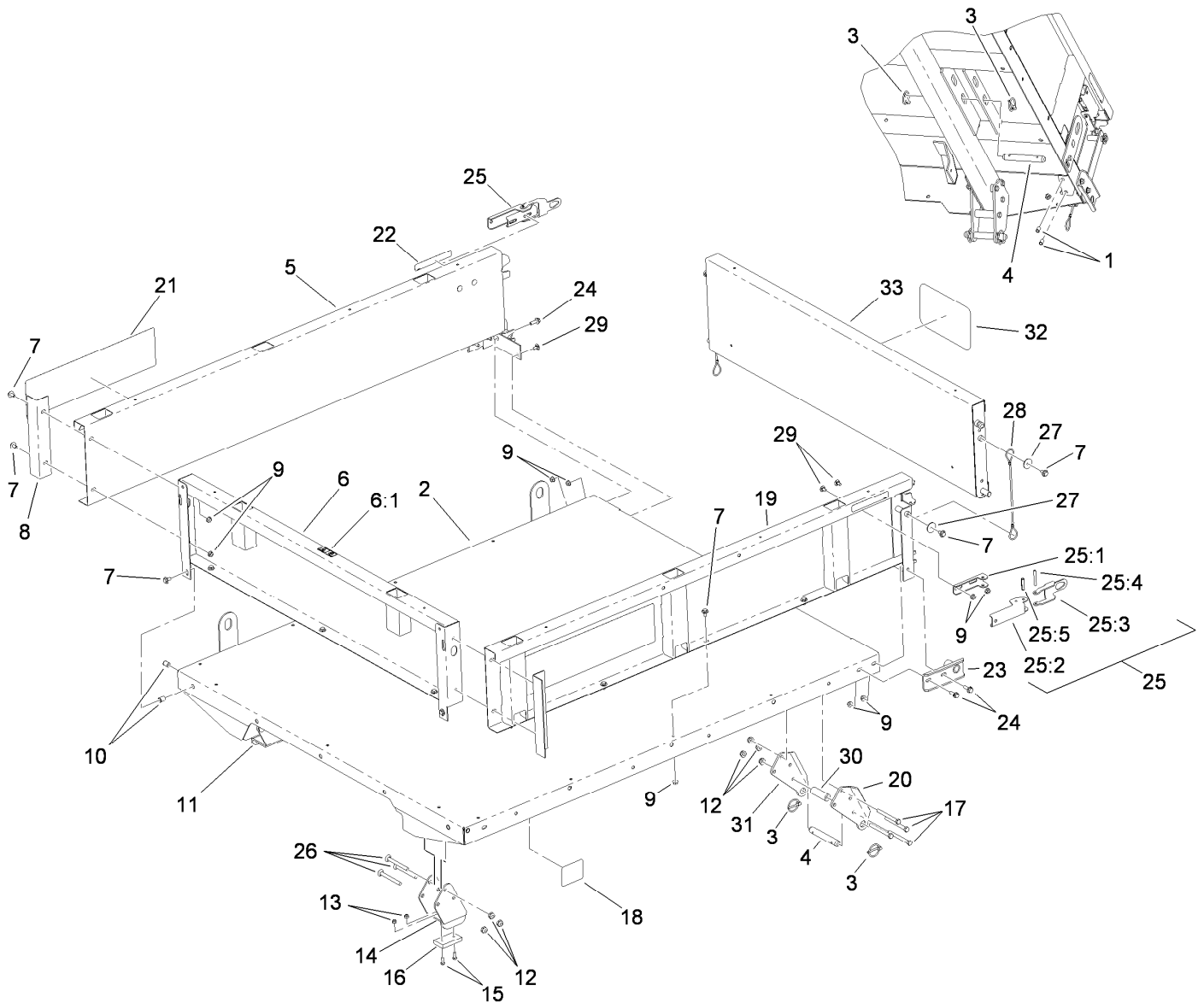
Differential Assembly No. 119-0824

<i>Ref.</i>	<i>Part Number</i>	<i>Qty.</i>	<i>Description</i>	<i>Ref.</i>	<i>Part Number</i>	<i>Qty.</i>	<i>Description</i>
1	115-7790	1	Output Cover ASM	12	115-7801	1	Gear-Ring, 50T
2	119-9479	1	Output Hub ASM	13	115-7802	1	Roll Kit
3	115-7792	1	Clutch ASM	14	115-7803	1	Roll Cage ASM
4	115-7793	1	Bolt Kit	15	115-7804	1	Drain Plug ASM
5	115-7794	1	Seal Kit	16	115-7805	1	Plug-Oil, Fill
6	115-7795	1	Ring-Retaining, Internal	17	115-7806	1	Shaft-Pinion, 9T
7	115-7796	1	Plate-Armature, Notched	18	115-7807	1	Cover-Input
8	115-7797	1	Shim	19	115-7808	1	Spring-Torsion
9	115-7798	1	Screw-Set	20	117-4985	1	Vent-Protected
10	115-7799	1	Thrust Button ASM	21	119-9480	1	Gearcase ASM
11	115-7800	1	Plate-Thrust				



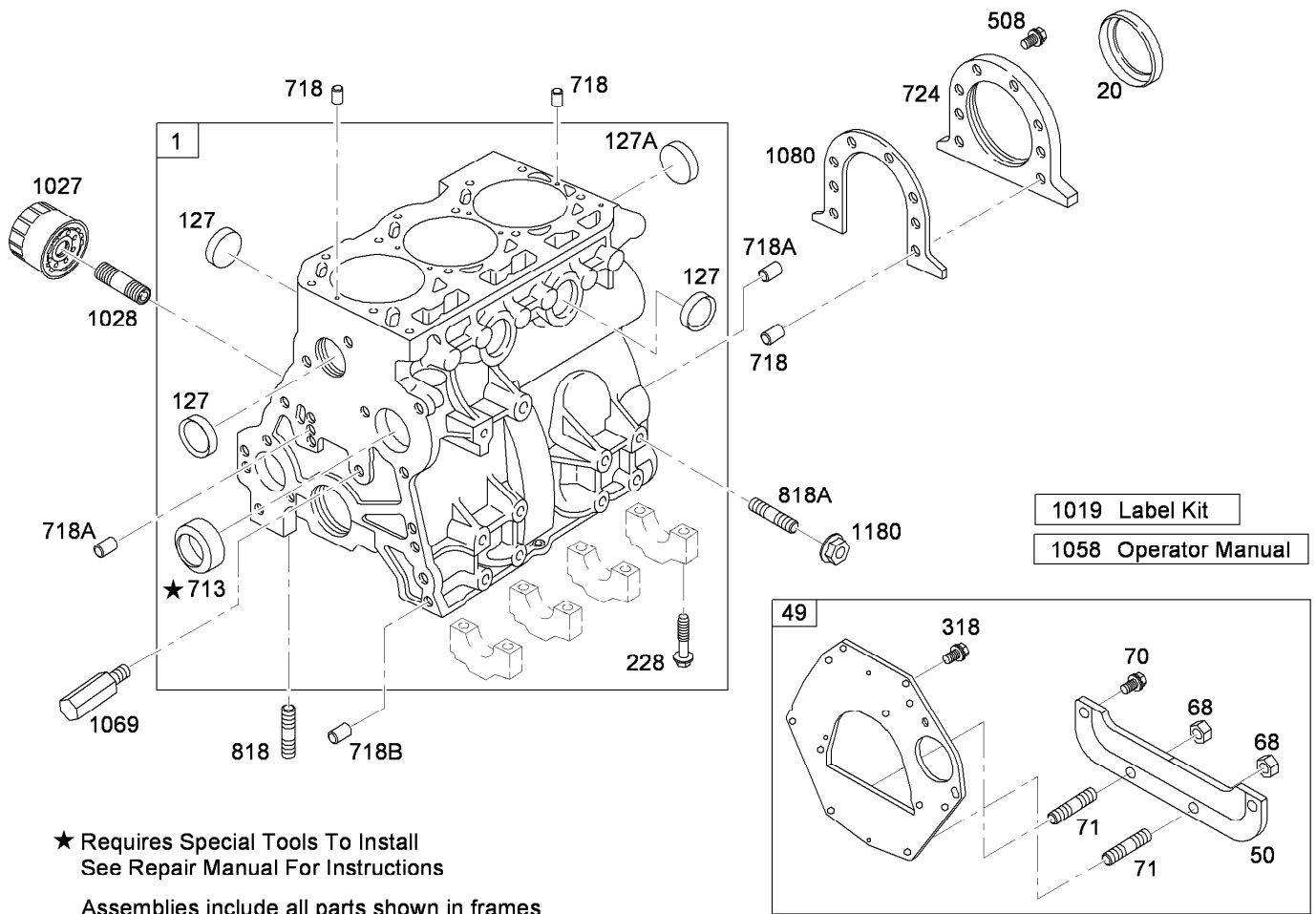
Drive Shaft Assembly No. 115-2171

Ref.	Part Number	Qty.	Description
1	115-7707	2	Yoke
2	54-9180	2	U-Joint Kit
2:1	62-3820	1	Fitting-Grease
3	115-7708	1	Yoke And Shaft
4	115-7709	1	Yoke, Tube And Slip Sleeve ASM



Full Bed and Side Panel Assembly

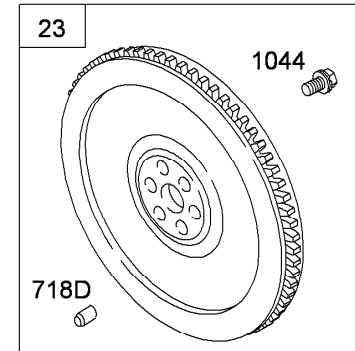
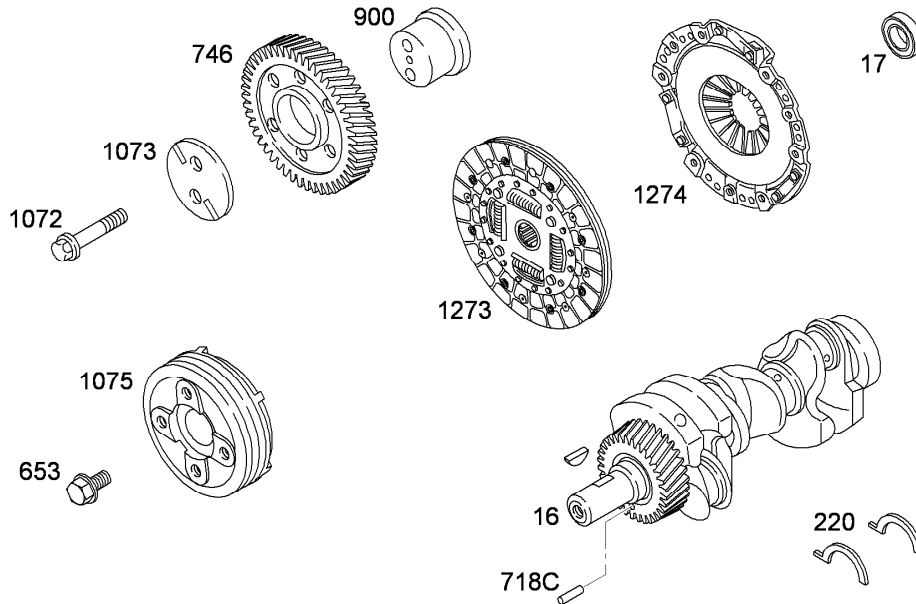
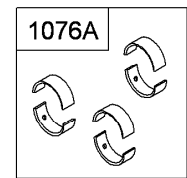
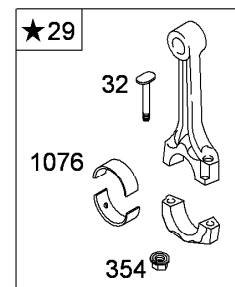
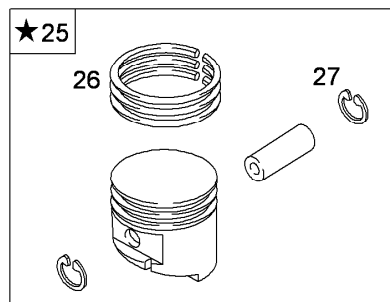
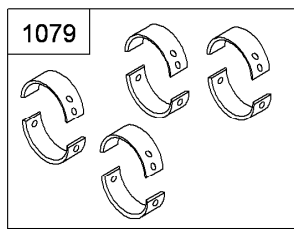
Ref.	Part Number	Qty.	Description	Ref.	Part Number	Qty.	Description
1	32148-6	4	Insert-Nut	20	93-9720-03	2	Bracket-Pivot, Long (LH)
2	93-9724-03	1	Flatbed-Full	21	115-7917	2	Decal
3	92-1298	8	Pin-Lynch	22	93-9868	2	Decal-Caution
4	92-1233	4	Pin-Clevis	23	92-1265-03	2	Bracket-Pivot
5	92-1255-03	1	RH Side Panel ASM	24	3234-29	6	Screw-HHF
6	92-5982	1	Front Panel ASM	25	99-1123	2	Latch ASM
6:1	115-7739	1	Decal-No Riders	25:1	92-1271	1	Pivot-Latch
7	3234-7	21	Screw-HHF	25:2	99-1113	1	Handle-Latch
8	92-1320-03	2	Angle-Side	25:3	99-1112	1	Plate-Retainer
9	32128-20	27	Nut-HF	25:4	32121-78	1	Pin-Roll
10	32148-7	4	Nut-Insert	25:5	32121-25	1	Pin-Roll
11	106-2423-03	1	RH Spacer Bracket ASM	26	3231-24	6	Screw-CARR
12	3296-44	14	Nut-Lock, NI	27	3256-57	4	Washer-Flat
13	3296-42	4	Nut-Lock, NI	28	93-9595	2	Lanyard
14	106-2422-03	1	LH Spacer Bracket ASM	29	3230-18	6	Screw-CARR
15	3250-45	4	Screw-SPH	30	93-9575	2	Tube-Pivot, Flatbed
16	93-9719	2	Block-Wear	31	93-9721-03	2	Bracket-Pivot, Long (RH)
17	323-42	8	Screw-HH	32	105-4222	1	Decal
18	93-9899	2	Decal-Warning	33	92-1259-03	1	Tailgate-Rear
19	92-1248-03	1	LH Side Panel ASM				



Cylinder Assembly

Ref.	Part Number	Qty.	Description
1	107-9891	1	Cylinder ASM
20	99-9003	1	Seal-Oil
49	115-2310	1	Backing Plate ASM
50	115-2309	1	Plate-Shield, End
68	99-9114	1	Nut-Hex, Metric
70	115-2307	1	Screw
71	115-2306	1	Stud
127	99-9008	1	Plug-Welch
127A	107-9892	1	Plug-Welch (Cam)
228	99-9006	1	Screw-Hex
318	99-9005	1	Screw-Hex
508	99-9004	1	Screw-Hex
713	99-9002	1	Bushing

Ref.	Part Number	Qty.	Description
718	99-9012	1	Pin-Locating
718A	99-9013	1	Pin-Locating
718B	99-9014	1	Pin-Locating
724	99-9022	1	Retainer-Seal
818	99-9007	1	Stud-Metric
818A	99-9221	1	Stud-Standard
1019	110-2595	1	Label Kit
1027	108-3842	1	Filter-Oil
1028	105-9337	1	Adapter-Filter, Oil
1058	99-9602	1	Manual-Owners
1069	99-9020	1	Nozzle-Oil
1080	99-9021	1	Gasket-Retainer
1180	99-9176	1	Nut-Hex

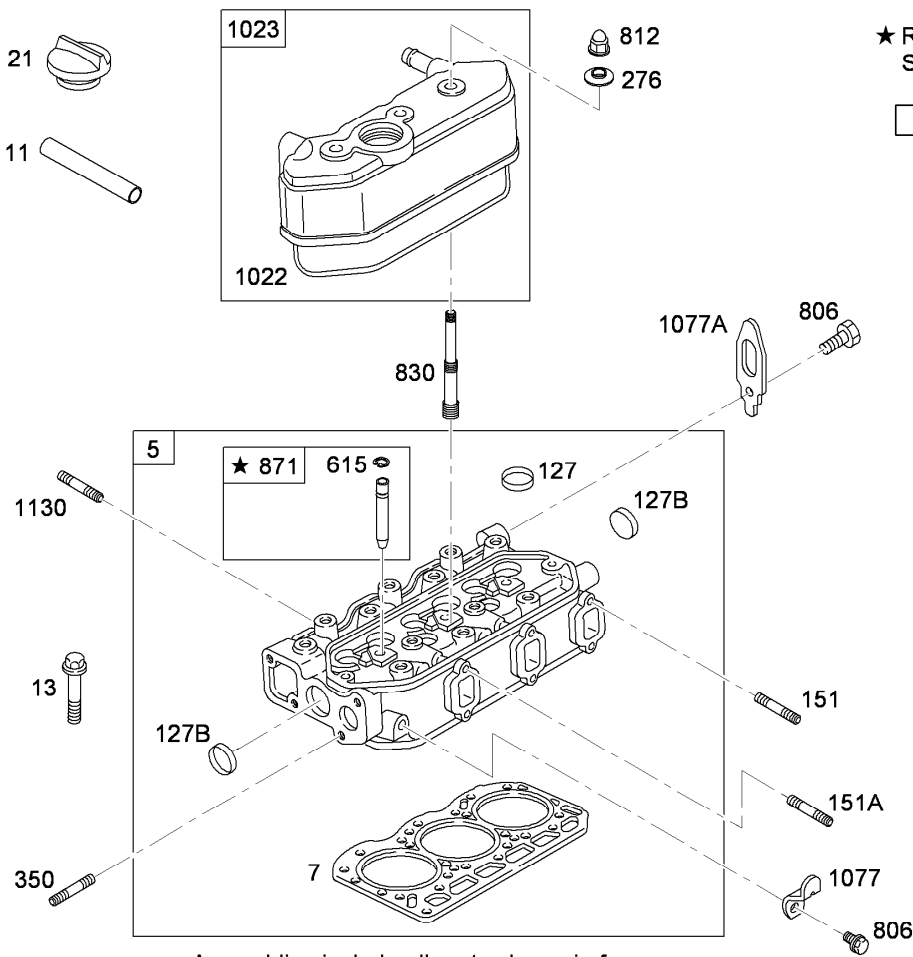


★ Requires Special Tools To Install
See Repair Manual For Instructions

Assemblies include all parts shown in frames

Crankshaft Assembly

Ref.	Part Number	Qty.	Description	Ref.	Part Number	Qty.	Description
16	105-9339	1	Crankshaft	718D	106-1852	1	Pin-Locating
17	105-9324	1	Bearing-Ball, Radial	746	99-9609	1	Gear-Drive
23	105-9323	1	Flywheel ASM	900	99-9039	1	Shaft-Gear
25	107-9895	1	Piston ASM	1044	99-9031	1	Screw-Hex
25	107-9896	1	Piston ASM (Oversize)	1072	99-9032	1	Screw-Hex
26	105-9340	1	Ring Set	1073	99-9040	1	Plate-Gear, Idler
26	99-9269	1	Ring Set (.010 Oversized)	1075	99-9041	1	Pulley-Crankshaft
27	99-9607	1	Lock-Pin, Piston	1076	99-9043	1	Set-Bearing, Rod
29	117-8838	1	Rod-Connecting	1076A	99-9043	1	Set-Bearing, Rod
32	99-9030	1	Screw-Rod, Connecting	1076A	99-9044	1	Set-Bearing, Rod (.010 Undersized)
220	99-9035	1	Washer-Thrust	1079	99-9045	1	Set-Bearing, Main (Set Of 8)
220	99-9036	1	Washer-Thrust (.005 In Oversized)	1079	99-9046	1	Set-Bearing, Main (.010 Undersized)
354	99-9034	1	Nut-Hex	1273	104-9219	1	Disc-Clutch
653	107-9897	1	Screw-Hex	1274	104-9231	1	Plate-Pressure, Clutch
718C	99-9037	1	Pin-Locating				



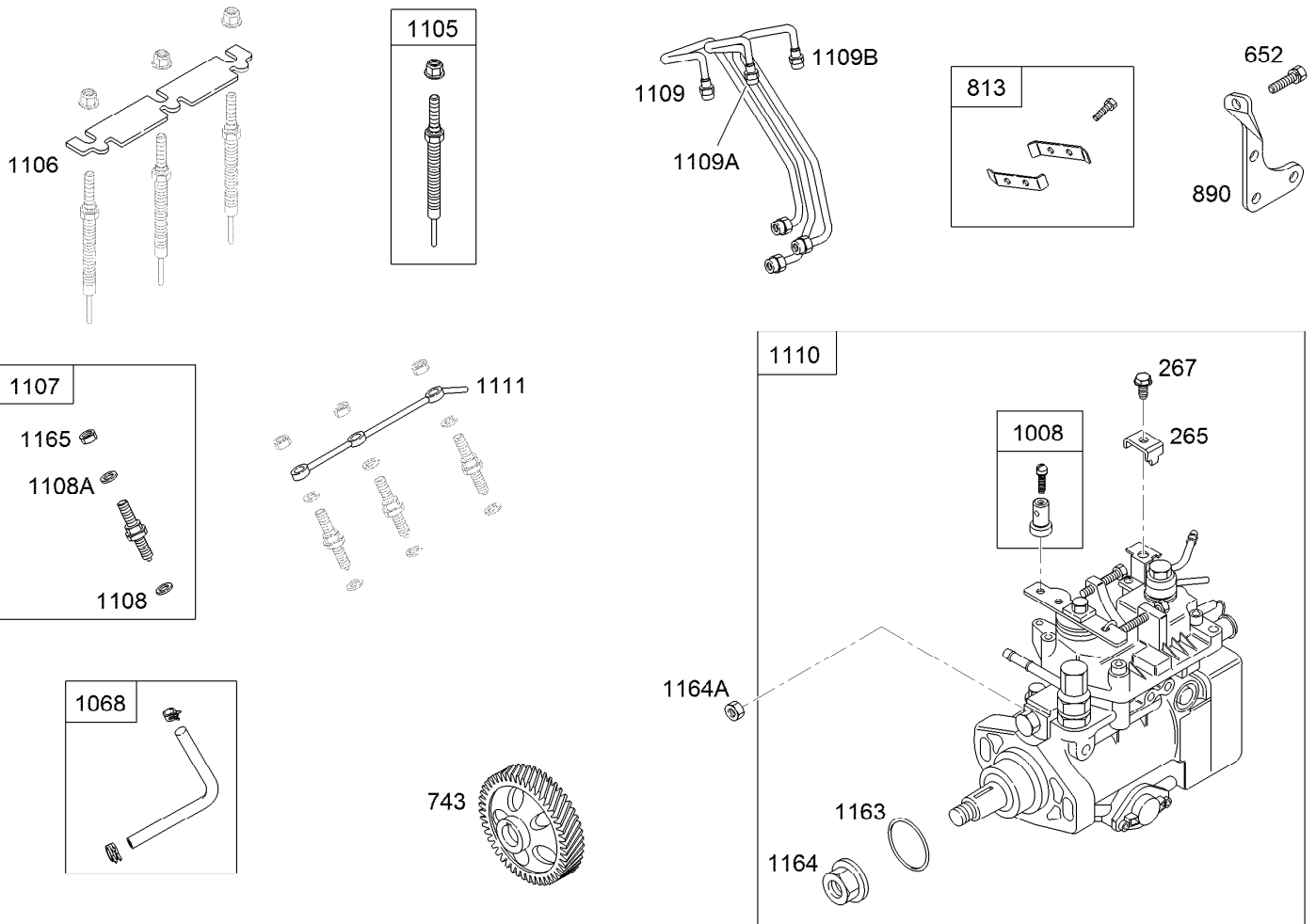
★ Requires Special Tools To Install
See Repair Manual For Instructions

1036 Emission Label Kit

Assemblies include all parts shown in frames

Cylinder Head Assembly

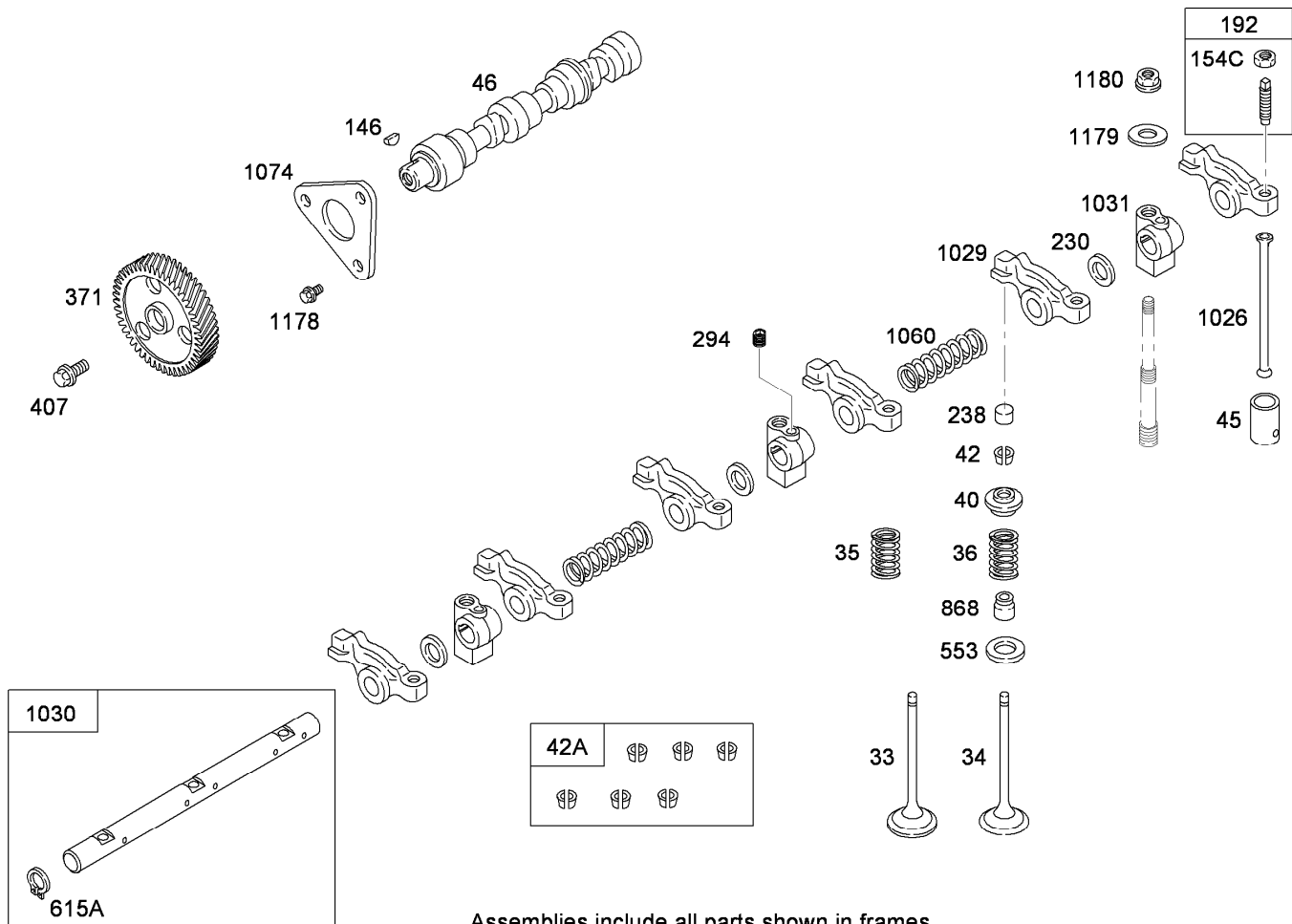
Ref.	Part Number	Qty.	Description
5	110-2596	1	Head-Cylinder
7	107-9898	1	Gasket-Head, Cylinder
11	105-9342	1	Tube-Breather
13	99-9614	1	Screw-Metric
21	99-9052	1	Cap-Fill, Oil
127	99-9060	1	Plug-Welch
127B	99-9008	1	Plug-Welch
151	99-9058	1	Stud-Metric
151A	99-9059	1	Stud-Metric
276	99-9063	1	Washer-Seal
350	99-9057	1	Stud-Metric
615	99-9067	1	Retainer
806	99-9054	1	Screw-Hex
812	99-9061	1	Nut-Hex, Metric
830	99-9101	1	Stud-Arm, Rocker
871	99-9070	1	Bushing-Guide
1022	99-9073	1	Gasket-Cover, Rocker
1023	100-6402	1	Cover-Rocker
1036	99-9615	1	Emission Label Kit
1077	99-9076	1	Bracket-Lifting
1077A	99-9077	1	Bracket-Lifting
1130	99-9055	1	Stud-Metric



Assemblies include all parts shown in frames

Injection Pump Assembly

Ref.	Part Number	Qty.	Description	Ref.	Part Number	Qty.	Description
265	99-9688	1	Clamp-Casing	1108A	105-9343	1	Seat-Injector
267	100-6403	1	Screw-Metric (Casing Clamp)	1109	99-9690	1	Pipe-Injector, No. 1
652	99-9616	1	Screw-Hex (Support Bracket)	1109A	99-9634	1	Pipe-Injector, No. 2
743	99-9624	1	Gear-Drive	1109B	99-9635	1	Pipe-Injector, No. 3
813	99-9625	1	Clamp	1110	115-2294	1	Pump-Injection
890	99-9626	1	Bracket-Support	1111	99-9637	1	Pipe-Return, Fuel
1008	99-9628	1	Clamp-Swivel	1163	99-9618	1	O-Ring (Injection Pump Shaft)
1068	99-9629	1	Hose / Clamp ASM	1164	99-9619	1	Nut-Hex, Metric (Injection Pump Shaft)
1105	114-4695	1	Plug-Glow	1164A	99-9620	1	Nut-Hex, Metric (Injection Pump)
1106	99-9631	1	Strap-Plug, Glow	1165	105-9345	1	Nut (Injector Nozzle)
1107	114-4696	1	Injection Nozzle				
1108	99-9633	1	Seat-Injector				

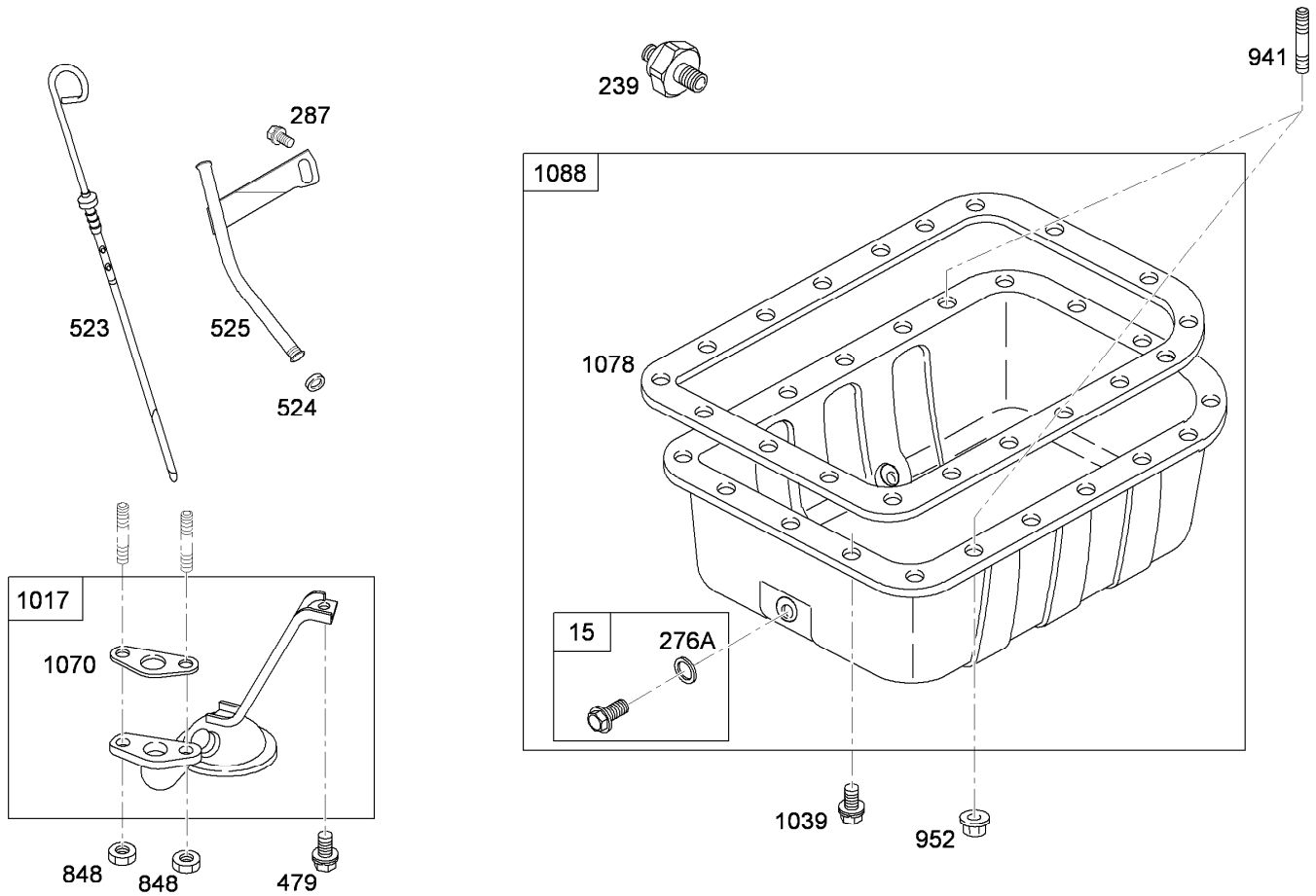


Assemblies include all parts shown in frames

Camshaft Assembly

Ref.	Part Number	Qty.	Description
33	99-9638	1	Valve-Exhaust
34	99-9639	1	Valve-Intake
35	99-9640	1	Spring-Valve
36	99-9640	1	Spring-Valve
40	99-9084	1	Retainer-Valve
42	99-9086	1	Keeper-Valve (Set)
42A	99-9087	1	Keeper-Valve (Set Of 6)
45	99-9088	1	Tappet-Valve
46	99-9097	1	Shaft-Cam
146	99-9675	1	Key-Timing
154C	99-9091	1	Nut-Hex, Metric
192	112-2978	1	Adjuster-Arm, Rocker
230	99-9093	1	Washer-Spacer
238	112-2979	1	Cap-Valve
294	99-9090	1	Screw-Metric

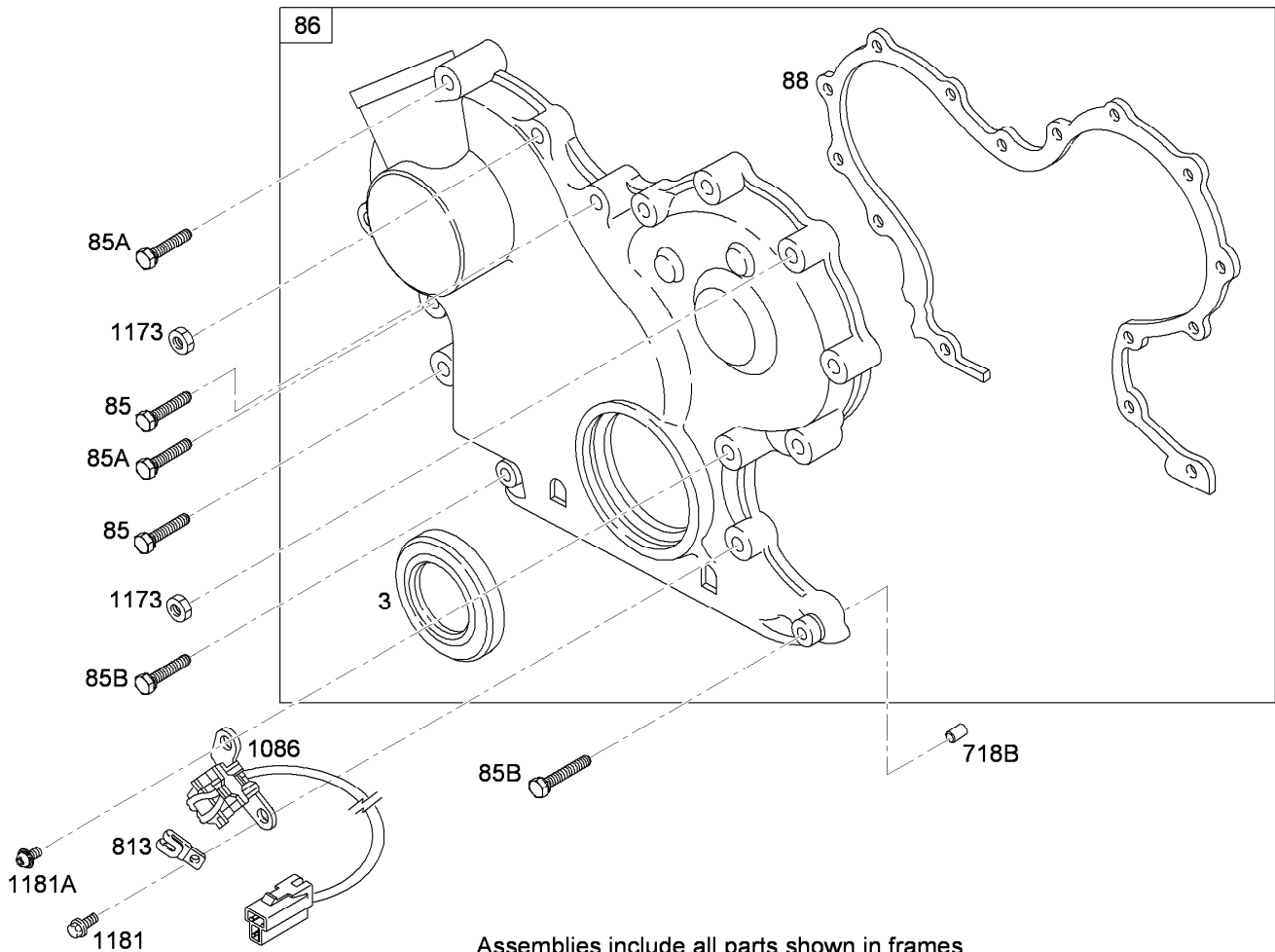
Ref.	Part Number	Qty.	Description
371	99-9641	1	Gear-Cam
407	99-9085	1	Screw-Metric
553	99-9096	1	Seat-Spring, Valve
615A	99-9099	1	Retainer
868	99-9643	1	Seal-Valve
1026	112-2980	1	Rod-Push
1029	99-9104	1	Arm-Rocker
1030	99-9106	1	Shaft-Arm, Rocker
1031	99-9107	1	Support-Arm, Rocker
1060	99-9108	1	Spring-Shaft, Rocker
1074	99-9109	1	Retainer-Camshaft
1178	99-9083	1	Screw-Hex
1179	99-9079	1	Washer-Flat
1180	99-9091	1	Nut-Hex, Metric



Assemblies include all parts shown in frames

Oil Pan Assembly

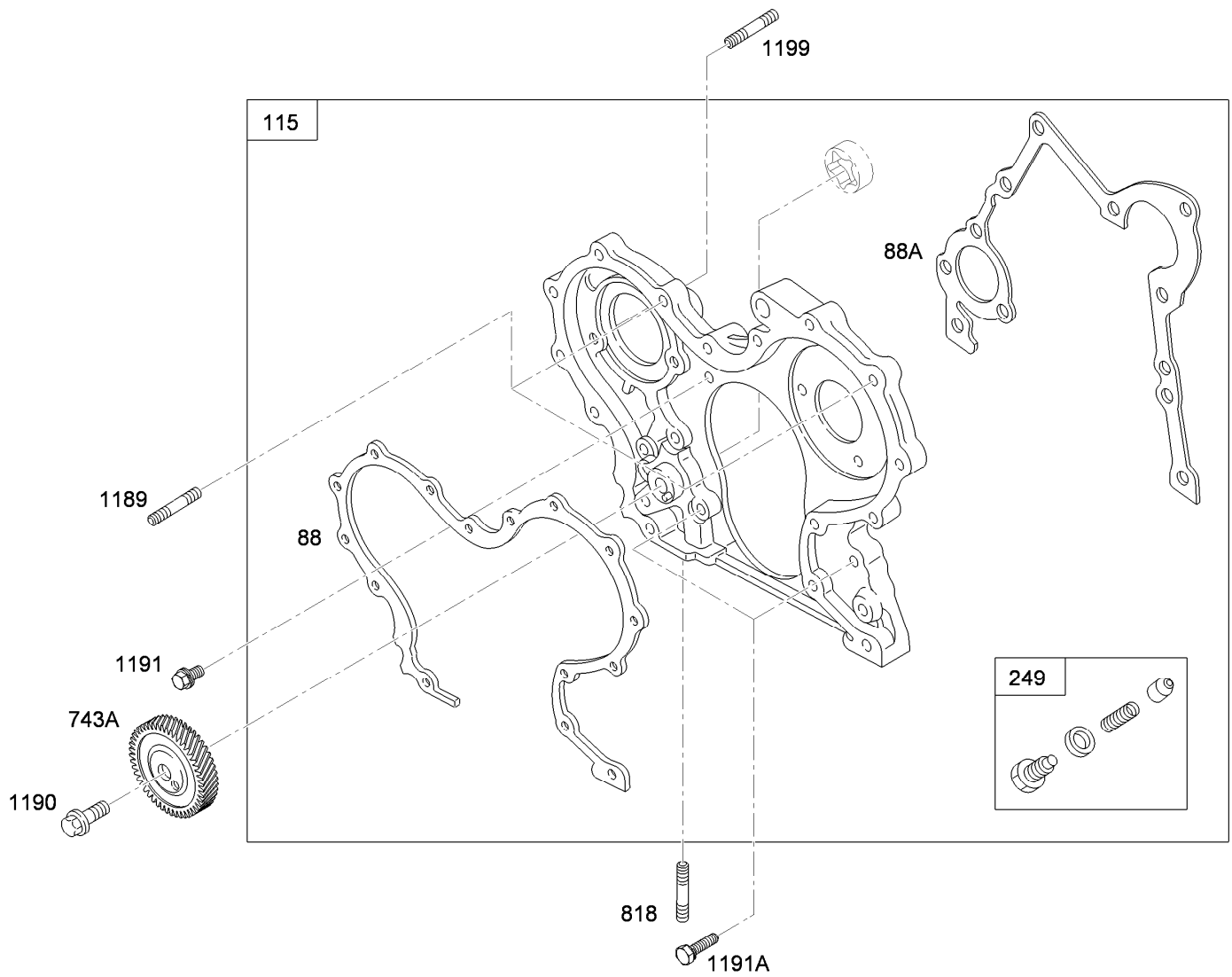
<i>Ref.</i>	<i>Part Number</i>	<i>Qty.</i>	<i>Description</i>
15	99-9247	1	Plug-Drain, Oil
239	107-9908	1	Switch-Pressure, Oil
276A	99-9249	1	Washer-Seal
287	99-9256	1	Screw-Hex
479	99-9111	1	Screw-Hex
523	100-6405	1	Dipstick
524	99-9265	1	Seal-O-Ring
525	100-6406	1	Tube-Dipstick
848	99-9114	1	Nut-Hex, Metric
941	99-9112	1	Stud-Metric
952	99-9113	1	Nut-Hex, Metric
1017	99-9116	1	Screen-Pump, Oil
1039	99-9623	1	Screw-Hex
1070	99-9120	1	Gasket-Strainer, Oil
1078	99-9121	1	Gasket-Pan, Oil
1088	99-9241	1	Pan-Oil



Assemblies include all parts shown in frames

Gear Cover Assembly

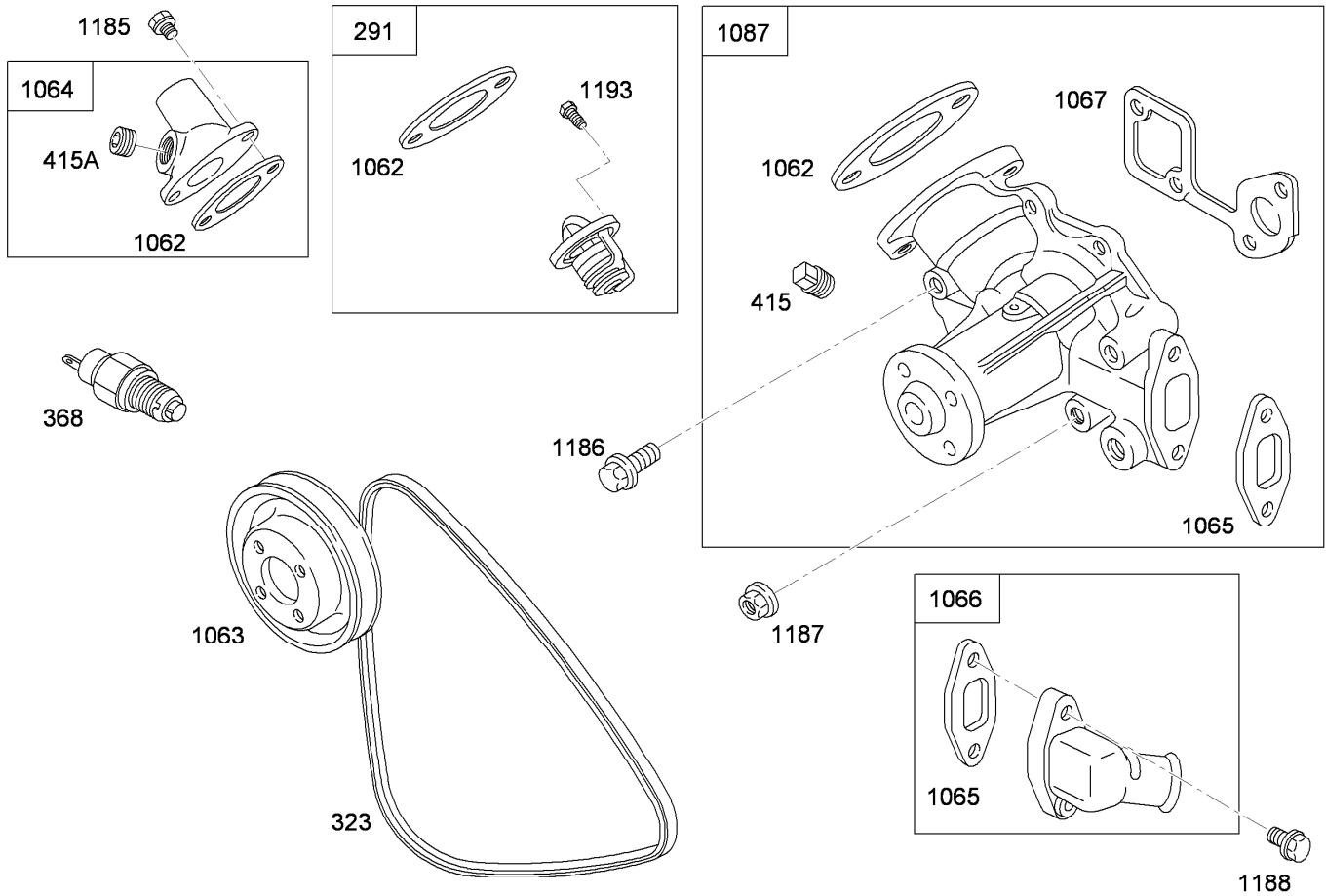
<i>Ref.</i>	<i>Part Number</i>	<i>Qty.</i>	<i>Description</i>
3	115-2291	1	Seal-Oil
85	99-9651	1	Screw-Hex
85A	99-9128	1	Screw-Hex
85B	99-9129	1	Screw-Hex
86	115-2338	1	Gear Cover ASM
88	99-9653	1	Gasket-Cover, Gear
718B	99-9014	1	Pin-Locating
813	99-9208	1	Clamp
1086	117-4920	1	Trigger-Ignition
1173	99-9114	1	Nut-Hex, Metric
1181	99-9128	1	Screw-Hex
1181A	99-9210	1	Screw-Phillips



Assemblies include all parts shown in frames

Gear Housing Assembly

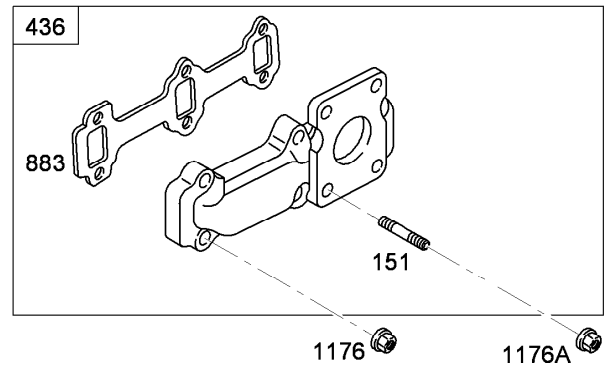
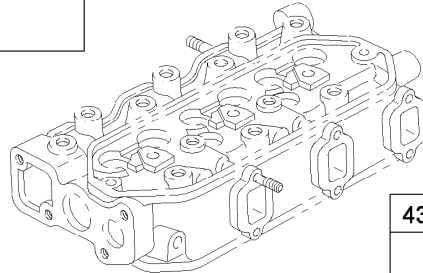
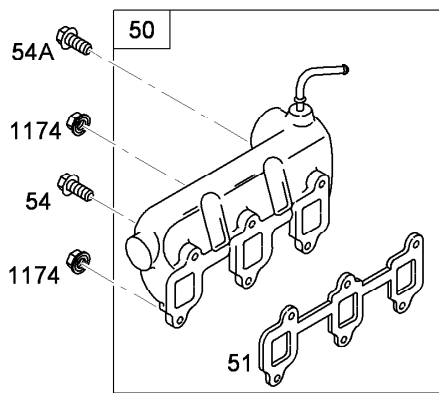
Ref.	Part Number	Qty.	Description
88	99-9653	1	Gasket-Cover, Gear
88A	99-9136	1	Gasket-Cover, Gear
115	99-9655	1	Housing-Gear
249	99-9142	1	Valve-Relief, Oil
743A	99-9656	1	Gear-Drive
818	99-9007	1	Stud-Metric
1189	99-9137	1	Stud-Metric
1190	99-9616	1	Screw-Hex
1191	99-9134	1	Screw-Hex
1191A	99-9133	1	Screw-Hex
1199	99-9654	1	Stud-Metric



Assemblies include all parts shown in frames

Water Pump Assembly

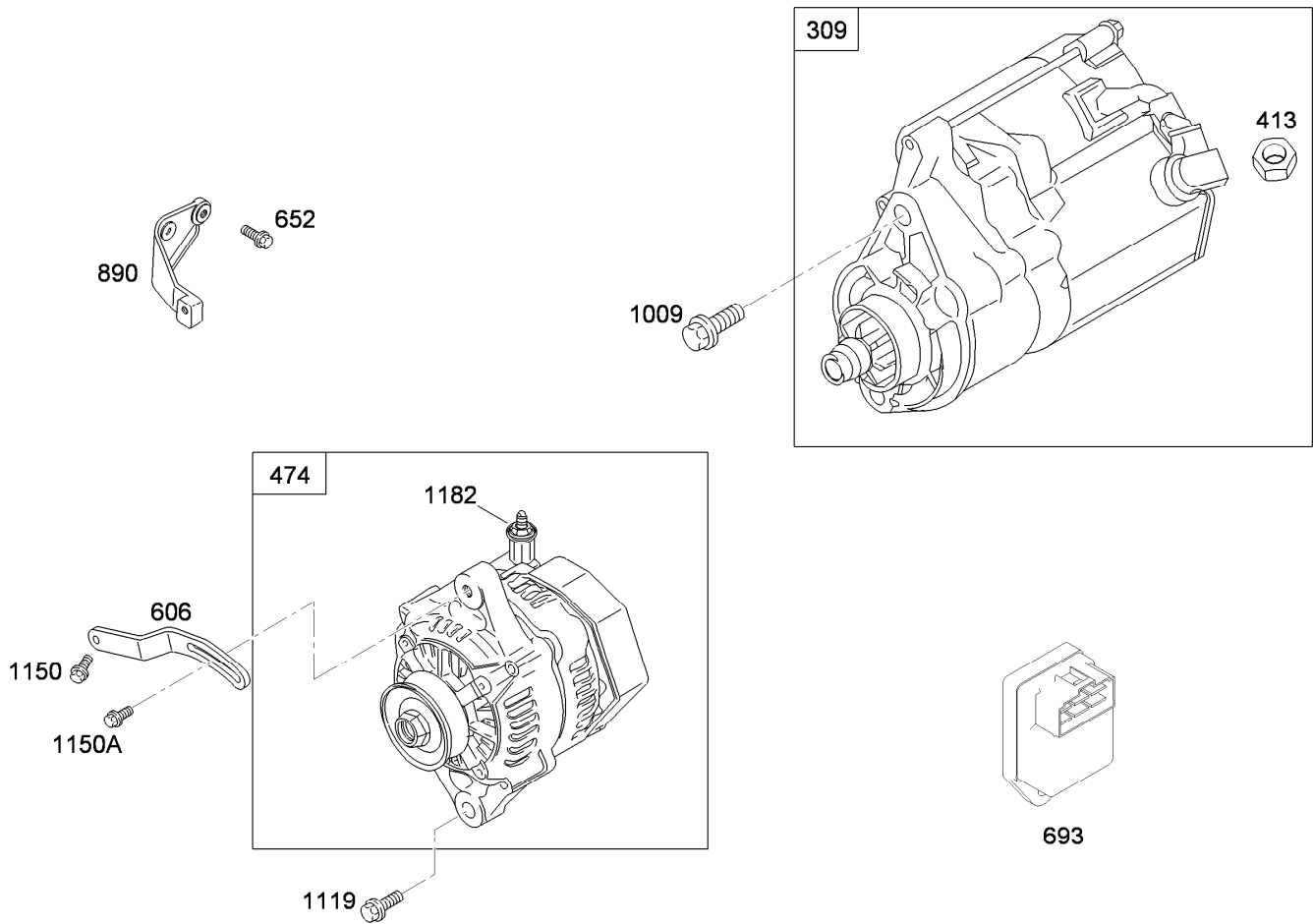
<i>Ref.</i>	<i>Part Number</i>	<i>Qty.</i>	<i>Description</i>
291	99-9155	1	Thermostat
323	117-4922	1	Belt-Vee
368	117-4923	1	Switch-Temperature, Water
415	99-9159	1	Plug
415A	99-9158	1	Plug
1062	99-9163	1	Gasket-Outlet
1063	99-9164	1	Pulley-Pump
1064	99-9165	1	Housing-Outlet
1065	99-9166	1	Gasket-Housing, Inlet
1066	99-9167	1	Housing-Inlet
1067	99-9168	1	Gasket-Pump, Water
1087	105-9348	1	Pump-Water
1185	99-9004	1	Screw-Hex
1186	99-9151	1	Screw-Hex
1187	99-9153	1	Nut-Hex, Metric
1188	99-9004	1	Screw-Hex
1193	99-9152	1	Screw-Metric



Assemblies include all parts shown in frames

Manifold Assembly

<i>Ref.</i>	<i>Part Number</i>	<i>Qty.</i>	<i>Description</i>
50	99-9661	1	Manifold-Intake
51	99-9662	1	Gasket-Intake
54	99-9083	1	Screw-Hex
54A	99-9660	1	Screw-Hex
151	99-9174	1	Stud-Manifold, Exhaust
436	99-9177	1	Manifold-Exhaust
883	106-1855	1	Gasket-Exhaust
1174	99-9114	1	Nut-Hex, Metric
1176	99-9175	1	Nut-Hex, Metric
1176A	99-9176	1	Nut-Hex

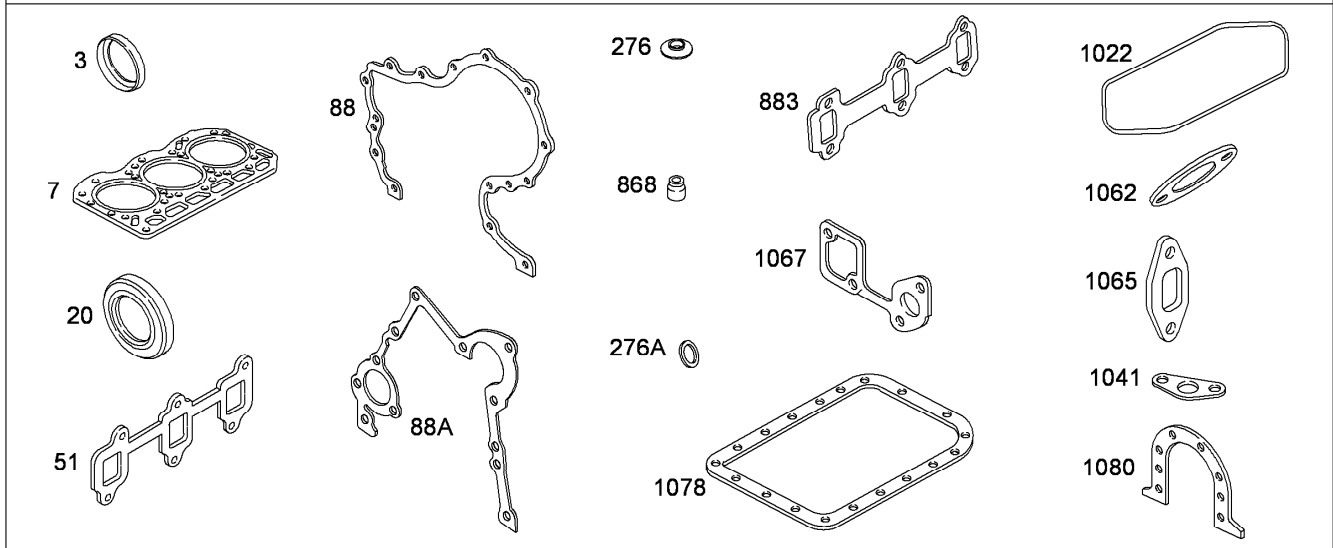


Assemblies include all parts shown in frames

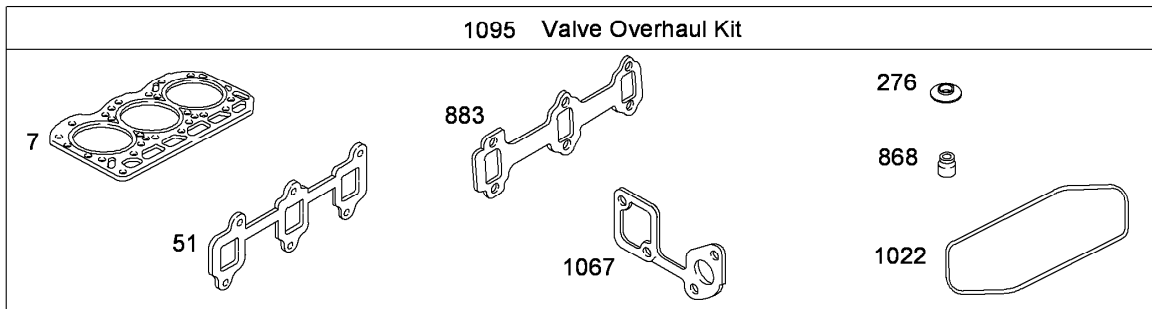
Starter Motor and Alternator Assembly

<i>Ref.</i>	<i>Part Number</i>	<i>Qty.</i>	<i>Description</i>
309	110-2598	1	Motor-Starter
413	99-9206	1	Nut-Hex, Metric
474	115-9473	1	Alternator-60Amp
606	106-1952	1	Strap-Adjusting
652	99-9203	1	Screw-Hex
693	115-2292	1	Timer-Glow Plug
890	99-9211	1	Bracket-Support
1009	99-9201	1	Screw-Hex
1119	99-9205	1	Screw-Hex, Metric
1150	99-9202	1	Screw-Hex
1150A	107-9903	1	Screw-Hex, Metric
1182	99-9114	1	Nut-Hex, Metric

358 Engine Gasket Set



1095 Valve Overhaul Kit



Assemblies include all parts shown in frames

Engine Gasket Set

Ref.	Part Number	Qty.	Description
3	99-9003	1	Seal-Oil
7	107-9898	1	Gasket-Head, Cylinder
20	115-2291	1	Seal-Oil
51	99-9662	1	Gasket-Intake
88	99-9653	1	Gasket-Cover, Gear
88A	99-9136	1	Gasket-Cover, Gear
276	99-9063	1	Washer-Seal
276A	99-9645	1	Washer-Seal
358	115-2339	1	Gasket Kit
868	99-9643	1	Seal-Valve
883	106-1855	1	Gasket-Exhaust
1022	99-9073	1	Gasket-Cover, Rocker
1041	99-9120	1	Gasket-Strainer, Oil
1062	99-9163	1	Gasket-Outlet
1065	99-9166	1	Gasket-Housing, Inlet
1067	99-9168	1	Gasket-Pump, Water
1078	99-9121	1	Gasket-Pan, Oil
1080	99-9021	1	Gasket-Retainer
1095	107-9907	1	Valve Overhaul Kit

Attachments and Accessories

For 07371 Workman HDX-D 4-Wheel Drive Utility Vehicle with Bed

Product Name	Model/Part
Full Area Flatbed	07301
Full Area Flatbed Side Kit	07302
Fold Down Side Kit	07303
High-Flow Hydraulic Kit	07316
2/3 Area Flatbed	07321
2/3 Area Flatbed Side Kit	07322
Bed Liner	07331
Cab	07339
1/3 Area Flatbed	07341
1/3 Area Stake Side Kit	07342
1/3 Area Platform Lift	07344
Heater Kit	07349
Canopy	07372
Windshield	07373
Cab Door Kit	07375
Solid Window Cab Door Kit	07376
Hitch Frame Kit	07377
4 Post Roll-Over Protection System	07378
Rear PTO Kit	07419
Hand Throttle Kit	07420
Spiker	08856
Finish Grader	08867
Backup Alarm Kit	107-8037
Premium Engine Oil, 10w30 (55 Gallon Drum)	108-1179
Premium Engine Oil, 10w30 (5 Gallon Pail)	108-1180
Premium ATF (Drum)	108-1185
Premium ATF (Pail)	108-1186
Premium All Purpose Grease (Tube)	108-1190
Remote Hydraulics Manifold Kit	110-2626
Rear Tire	110-5132
Spark Arrestor Kit	112-1688
Wheel-12x8.0	114-8260
Horn Kit	115-7825
High Air Intake Kit	115-7848
Side Mirror Kit	115-7849
Roll-Over Protection System Signal Kit	117-4825
Worklight Kit	117-4827
Remote Hydraulic Float Kit	117-4828
Cab Mirror Kit	117-4830
Receiver Hitch Kit	117-4831
Trailer Signal Kit	117-4836
Trailer Brake Kit	117-4837
24x13-12 Tire and Wheel ASM	117-4838
Sprayer Cylinder Lift Kit, Workman 200 Spray System	117-4846
Engine Cover Kit	117-4867
Manual 4-Wheel Drive Control Kit	119-0817

Attachments and Accessories (continued)

Harness-Wire, Speedometer Adapter	119-1762
Tapered Nozzle Kit, Pro Force Debris Blower	119-6280
Rectangular Nozzle Kit, Pro Force Debris Blower	119-6281
Nozzle-Extension, Straight	119-6282
Nozzle-Extension, Tapered	119-6283
Nozzle-Extension, Rectangular	119-6284
Canopy for Four-Post Roll-Over Protection System Kit	119-9457
Road Light and Homologation Kit	120-5030
Brake and Signal Light Kit	120-5045
Single Nozzle Kit	41024
Hose Reel Kit	41097
Spray Gun Kit	41133
Pro Foam Concentrate (4 x 1 Gallon)	41157
Sonic Boom Kit	41217
Workman 200 Spray System	41235
Foam Marker Kit	41236
Spreader Base Unit	41253
Vicon Spreader	41256
Topdresser 1800	44225
Core Harvester Adapter Kit	44242
Pro Force Debris Blower	44538
Road-Ready Pro Force Debris Blower	44539
Workman HD Bed Mount Kit, Pro Force Debris Blower	44544
Bed Mount Sound Barrier Kit, Pro Force Debris Blower	44546
ProPass 200 Top Dresser with Twin Spinner and Wireless Control	44700
ProPass 200 Top Dresser with Twin Spinner	44701
Twin Spinner	44702
Conveyor and Swivel Kit	44703
Tow-Type Chassis	44704
Fender Kit, Tow-Type Chassis	44705
Hose Assembly Kit, Tow-Type Chassis	44706
Toro Workman Chassis	44707
Storage Stand	44712
Hydraulic Power Pack	44713
Automatic Tailgate Release Kit	92-1220
Fuse Block	92-2641
PTO Over Running Clutch Kit	92-2655
Topdresser 1800 Lift Kit	92-4452
Mid-Mount Kit for Platform Lift	93-3741
1/3 Area Cover Kit	93-9225
Rear 1/3 Area Mounting Kit	93-9249
Tire-Rear	98-2993
Tire-Rear, Industrial	99-1091



Count on it.