



# TimeMaster 30in Lawn Mower

Model No. 20199—Serial No. 312017873 and Up

Model No. 20200—Serial No. 312008662 and Up

## Addendum

The purpose of this addendum is to address documentation changes that affect the operation of the machine. Changes in the warranty are also noted.

The new changes include the following:

- New measurements for adjusting the cutting height
- Australian consumer law

## Adjusting the Cutting Height

**Note:** The height of cut has changed from a range of 10.2 cm (4 inches) to 2.5 cm (1 inch) to a range of 10.8 cm (4-1/4 inches) to 3.2 cm (1-1/4 inch).

Refer to the Operator's Manual for more information on adjusting the Cutting Height.

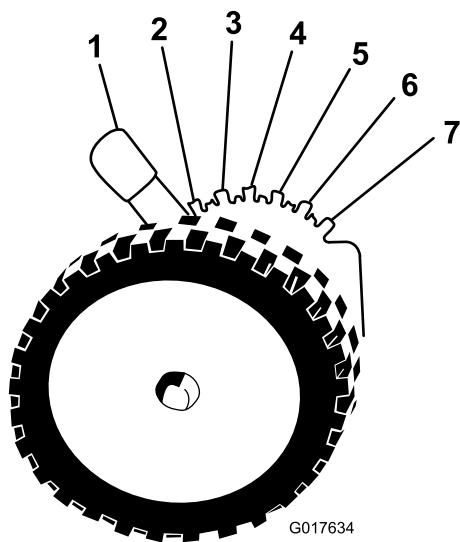


Figure 1

- |                                     |                                    |
|-------------------------------------|------------------------------------|
| 1. <b>A:</b> 10.8 cm (4-1/4 inches) | 5. <b>E:</b> 5.7 cm (2-1/4 inches) |
| 2. <b>B:</b> 9.5 cm (3-3/4 inches)  | 6. <b>F:</b> 4.4 cm (1-3/4 inches) |
| 3. <b>C:</b> 8.3 cm (3-1/4 inches)  | 7. <b>G:</b> 3.2 cm (1-1/4 inch)   |
| 4. <b>D:</b> 7 cm (2-3/4 inches)    |                                    |

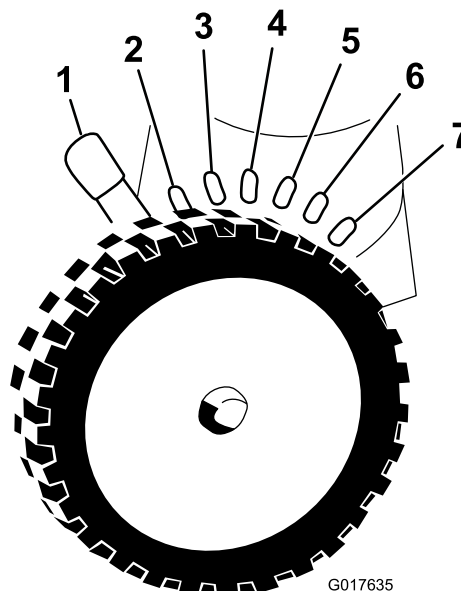


Figure 2

- |                                     |                                    |
|-------------------------------------|------------------------------------|
| 1. <b>A:</b> 10.8 cm (4-1/4 inches) | 5. <b>E:</b> 5.7 cm (2-1/4 inches) |
| 2. <b>B:</b> 9.5 cm (3-3/4 inches)  | 6. <b>F:</b> 4.4 cm (1-3/4 inches) |
| 3. <b>C:</b> 8.3 cm (3-1/4 inches)  | 7. <b>G:</b> 3.2 cm (1-1/4 inch)   |
| 4. <b>D:</b> 7 cm (2-3/4 inches)    |                                    |

## Australian Consumer Law

Australian customers will find details relating to the Australian Consumer Law either inside the box or at your local Toro Dealer.

\*Residential purposes means use of the product on the same lot as your home. Use at more than one location, or institutional or rental use, is considered commercial use, and the commercial use warranty would apply.

