



Count on it.

Parts Catalog

**50cm Mulching/Rear Bagging
Lawn Mower**

Model No. 29639—Serial No. 311000001 and Up



Ordering Replacement Parts

To order replacement parts, please supply the part number, the quantity, and the description of each part desired.

Understanding Reference Numbers

Each identified part in an illustration has a reference number. The reference number for a part also appears in the parts list, along with other information about the part.

This catalog uses two special reference number formats, one to indicate parts in a service assembly and another to indicate the quantity of a given part in an illustration.

Service Assembly Reference Numbers

Parts in service assemblies have reference numbers in the form a:b. The a represents the reference number of the entire service assembly and the b represents a sequential number unique to each part within the service assembly.

For example, a wheel assembly might be identified by reference number 6, the tire by 6:1, the valve by 6:2, and the wheel by 6:3. When you order the assembly identified by reference number 6, you receive all parts identified by reference numbers 6:1, 6:2, and 6:3. However, you may also order any part individually. Reference numbers of this type appear in illustration and in parts lists.

Reference Numbers Indicating Quantity

In an illustration, if a reference number indicates more than one part, the reference number has the form nX y. The n represents the quantity of the part, the X is the multiplication symbol, and the y represents the reference number.

For example, in an illustration, the reference number 2X 37 means that two of the parts identified by reference number 37 are indicated.

List of Abbreviations

AR: as required

ASM: assembly

BBC: blade brake control

BHTF: button head thread forming

CARR: carriage

CCW: counter clockwise

CW: clockwise

DEG: degrees

DPA: Dual Point Adjustment

ECM: electronic control module

EXT: external

FH: flat head

GA: gauge

HD: heavy-duty

HF: hex flange

HH: hex head

HHF: hex head flange

HHFTF: hex head flange thread forming

HJ: hex jam

HLH: hex lag head

HOC: height-of-cut

HSBH: hex socket button head

HSFH: hex socket flat head

HSH: hex socket head

HWH: hex washer head

HWHTF: hex washer head thread forming

HYD: hydraulic

LH: left hand

LP: Liquefied Petroleum Gas

LPG: Liquefied Petroleum Gas

NI: nylon insert

NPTF: national pipe thread fine

PFH: phillips flat head

PPH: phillips pan head

PPHTF: phillips pan head thread forming

PRH: phillips round head

PTH: phillips truss head

PTO: power-take-off

RH: right hand

ROPS: roll-over protection system

RRB: rear roller brush

SFH: slotted fillister head

SHH: slotted hex head

SHWH: slotted hex washer head

SPH: slotted pan head

SQH: square head

SRH: slotted round head

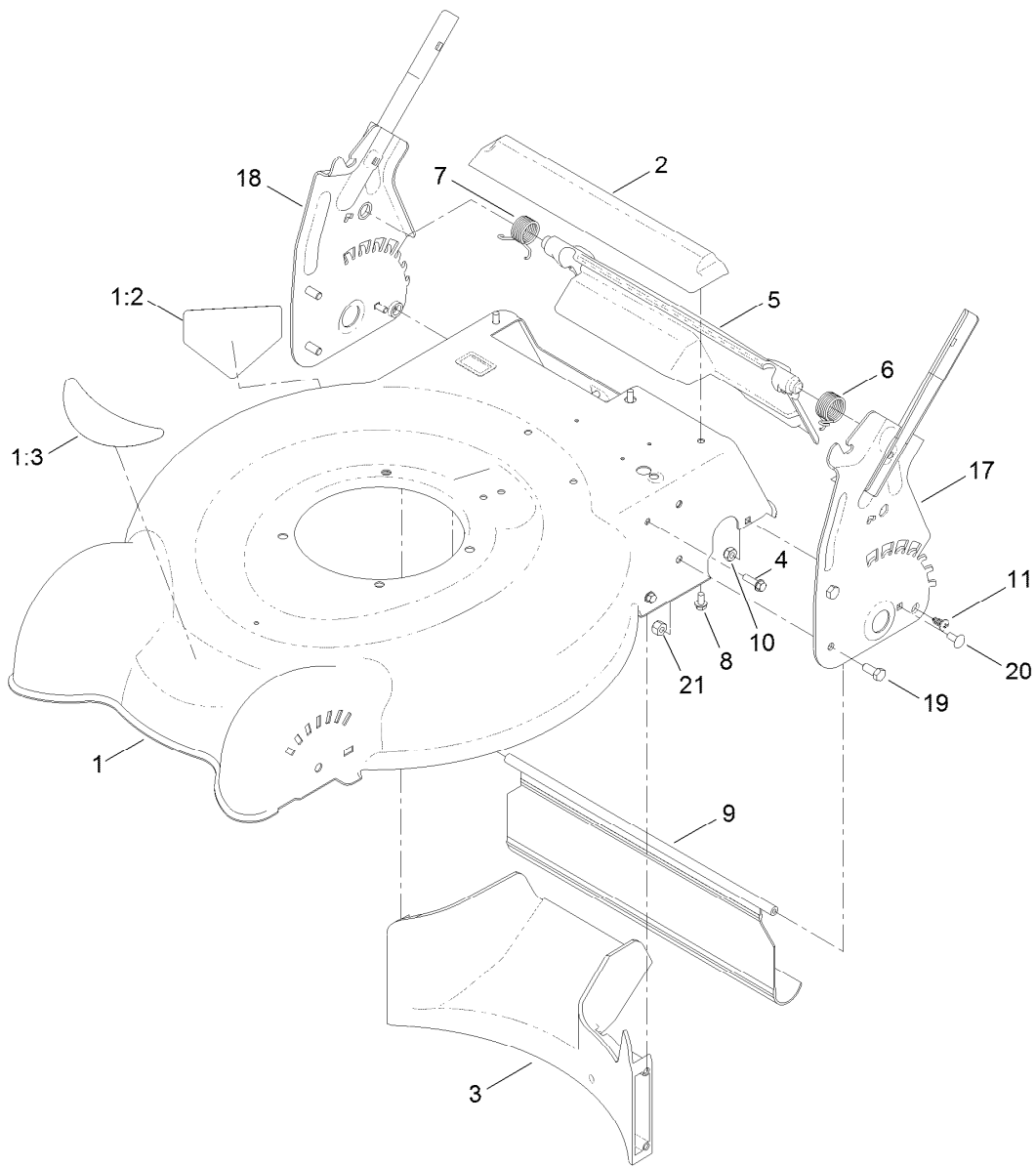
STD: standard

TAP: self tapping

TTH: torx truss head

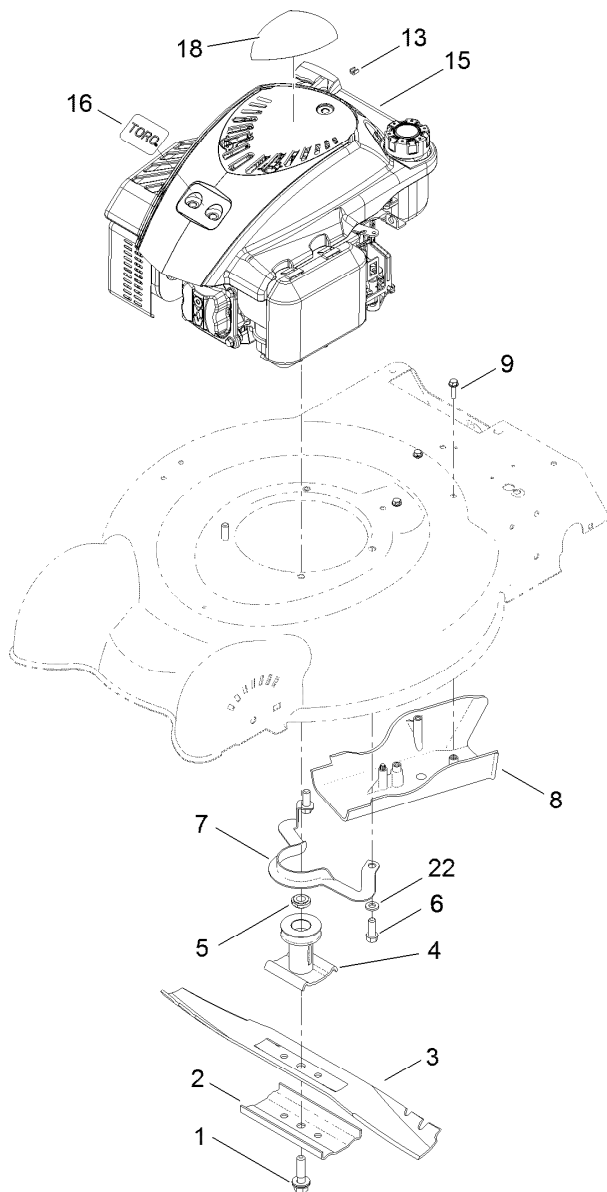
Contents

Housing Assembly	4
Engine and Blade Assembly	5
Engine Assembly No. 119-1989	6
Front Wheel and Height-of-Cut Assembly	8
Transmission, Rear Wheel and Height-of-Cut Assembly	9
Handle Assembly	10
Rear Bag Assembly	11
Attachments and Accessories	12



Housing Assembly

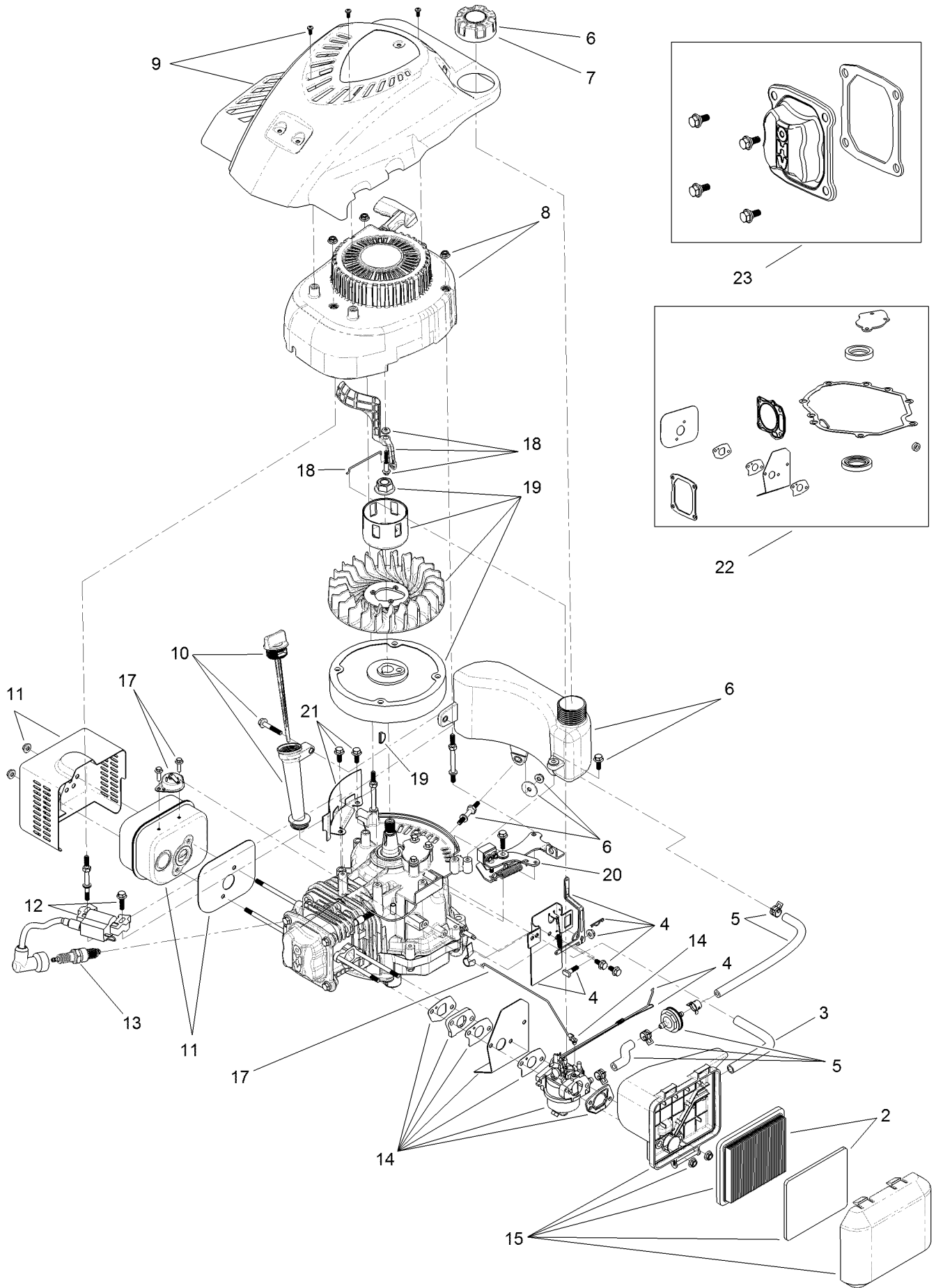
<i>Ref.</i>	<i>Part Number</i>	<i>Qty.</i>	<i>Description</i>	<i>Ref.</i>	<i>Part Number</i>	<i>Qty.</i>	<i>Description</i>
1	117-5944	1	Housing ASM	8	46-8093	3	Screw-Plastite
1:2	112-8760	1	Decal-Danger	9	112-8768	1	Shield-Trailing
1:3	117-5947	1	Decal-Deck	10	3296-16	2	Nut-Lock, NI
2	112-8845	1	Chute-Rear	11	117-1092	2	Screw-PTH
3	112-8821	1	Baffle-Rear	17	119-3804-03	1	HOC-LH
4	46-8091	5	Screw-HWH	18	119-3805-03	1	HOC-RH
5	119-7029	1	Rear Deflector ASM	19	322-3	4	Screw-HH
6	119-7015	1	Spring-Torsion, LH	20	3229-11	2	Screw-CARR
7	119-7016	1	Spring-Torsion, RH	21	3296-29	4	Nut-Lock, NI



Engine and Blade Assembly

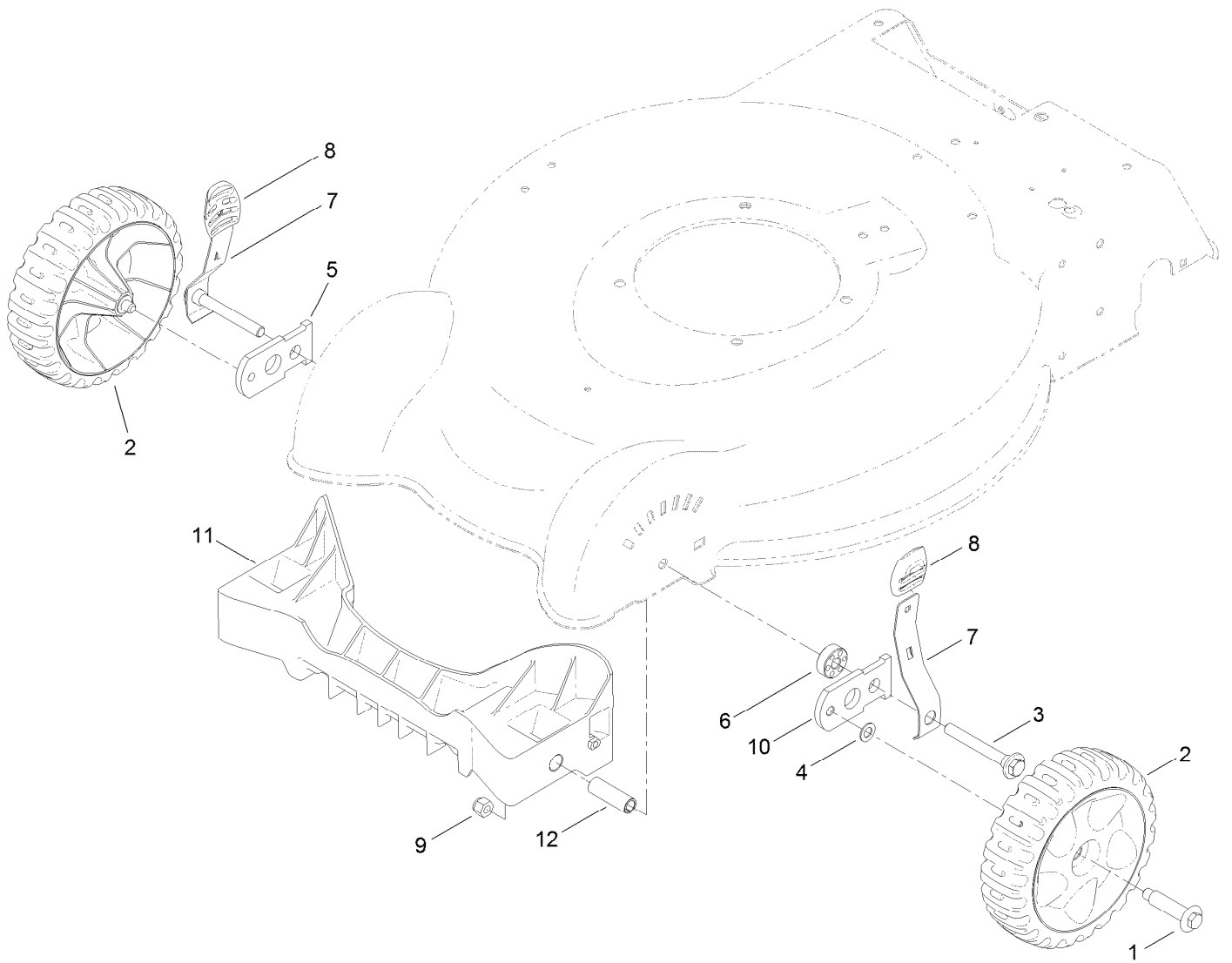
Ref.	Part Number	Qty.	Description
1	105-8579	1	Bolt-Blade
2	108-3766-03	1	Support-Blade
3	112-8841-03	1	Blade-20 Inch
4	106-3987	1	Blade Driver ASM
5	106-3999	1	Spacer-Driver
6	95-1726	3	Screw-Taptite
7	105-3030-03	1	Guide-Belt
8	112-8829	1	Cover-Belt
9	46-8091	3	Screw-HWH
13	92-1701	1	Stop-Rope
15	119-1989	1	Engine-Lc1P65Fa
16	119-3808	1	Plate-Logo, Toro
18	120-1938	1	Decal-Shroud, Ce
22	3256-24	2	Washer-Flat

Engine Assembly No. 119-1989



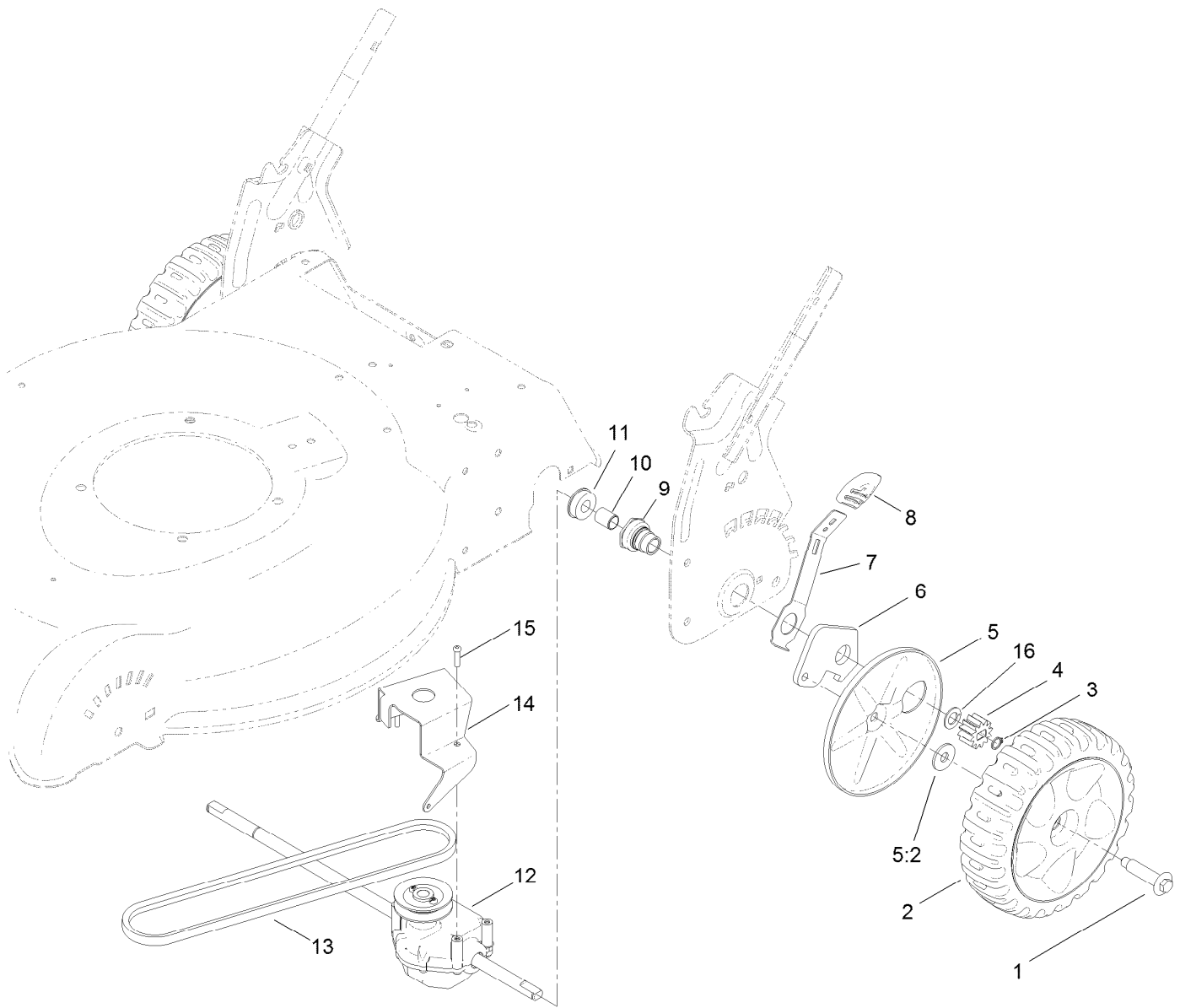
Engine Assembly No. 119-1989 (continued)

<i>Ref.</i>	<i>Part Number</i>	<i>Qty.</i>	<i>Description</i>	<i>Ref.</i>	<i>Part Number</i>	<i>Qty.</i>	<i>Description</i>
2	119-1909	1	Air Filter And Prefilter Kit	13	119-1901	1	Spark Plug
3	119-1902	1	Tube-Breather	14	120-4404	1	Carburetor Complete Kit
4	119-1968	1	Governor Arm Kit	14	120-4405	1	Carburetor Repair Kit
5	120-4400	1	Fuel Line Kit	15	121-0374	1	Air Cleaner ASM, 2 Hinge
6	119-1915	1	Fuel Tank Kit (Cap And Hardware)	17	119-1999	1	Thermal Choke Control Kit
7	119-1914	1	Cap-Fuel	18	119-1966	1	Air Vane Choke Kit
8	119-1904	1	Shroud And Recoil ASM	19	119-1970	1	Flywheel And Fan Kit
9	119-1990	1	Shroud ASM	20	119-1991	1	Brake ASM Recoil Kit
10	119-1903	1	Dipstick And Fill Tube Kit	21	119-1994	1	Flywheel Shield Kit
11	119-1969	1	Muffler And Shield Kit	22	121-0425	1	Seal And Gasket Kit
12	119-1908	1	Ignition And Hardware Kit	23	121-0492	1	Kit-Valve Cover



Front Wheel and Height-of-Cut Assembly

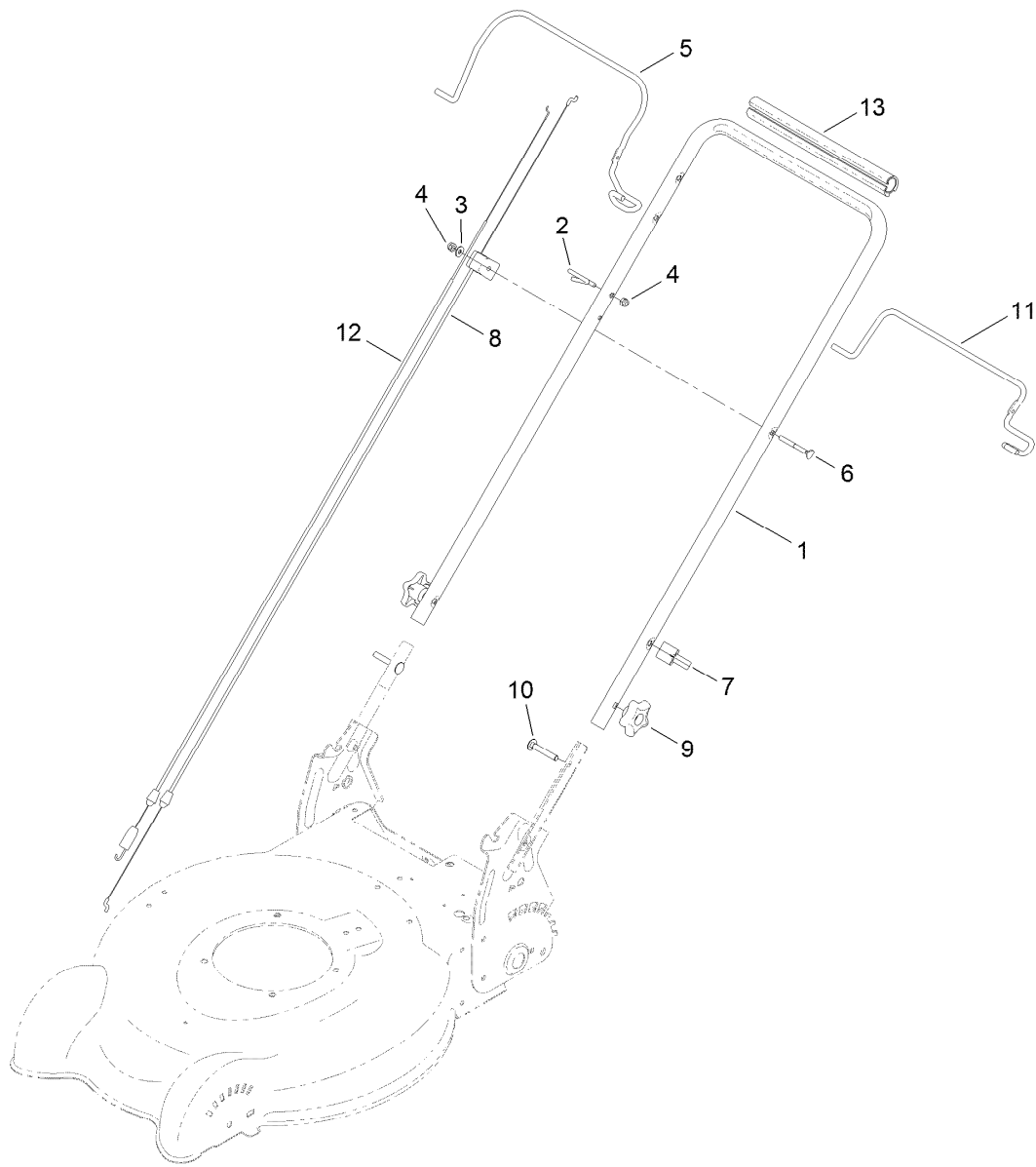
Ref.	Part Number	Qty.	Description
1	614650	2	Bolt-Shoulder
2	119-3777	2	7 Inch Wheel And Tire ASM
3	117-5996	2	Bolt-Shoulder
4	40-1940	2	Washer
5	107-3877	1	Arm-Pivot, RH
6	117-5997	2	Spacer-Arm, Pivot
7	112-8828	2	Arm-Spring, Front
8	105-3042	2	Knob-Lever, HOC
9	3296-39	2	Nut-Lock, NI
10	108-1044	1	Arm-Pivot, LH
11	119-7082	1	Baffle-Throw, Front
12	117-5992	2	Spacer-Baffle, Front



Transmission, Rear Wheel and Height-of-Cut Assembly

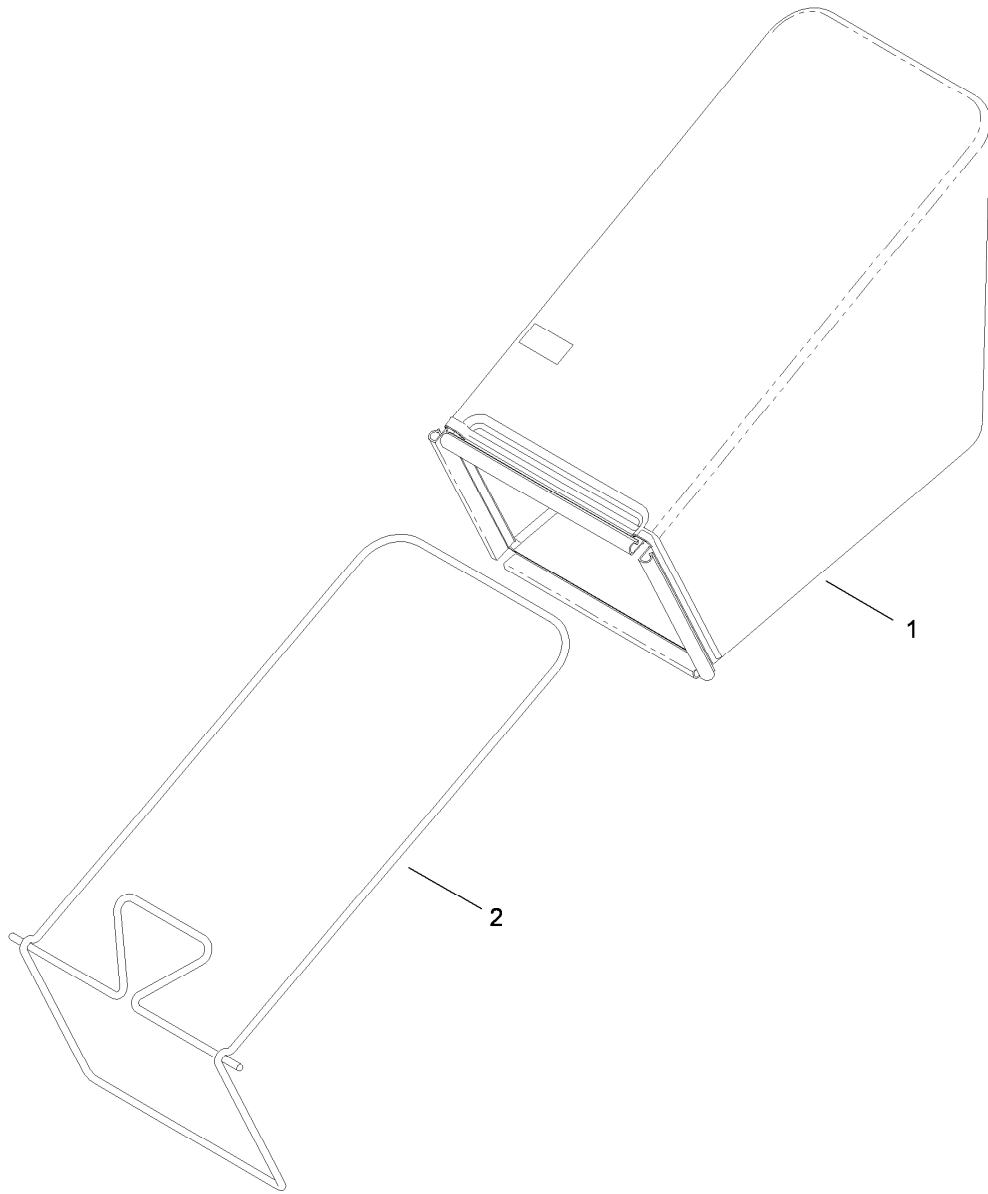
Ref.	Part Number	Qty.	Description
1	614650	2	Bolt-Shoulder
2	119-7068	2	8 Inch Wheel And Gear ASM
3	32151-61	2	Ring-Retaining
4	115-4668	2	Gear-Pinion, 12T
5	110-1792	2	Wheel Cover ASM
5:2	614426	1	Washer-Stepped
6	108-9781	2	Arm-Pivot, Rear
7	108-9780	2	Arm-Spring

Ref.	Part Number	Qty.	Description
8	105-3042	2	Knob-Lever, HOC
9	108-9779	2	Retainer-Bushing, HOC
10	108-9782	2	Bushing-Sleeve
11	104-8699	2	Bearing-Ball
12	112-8831	1	Transmission ASM
13	110-9429	1	V-Belt
14	114-7977-03	1	Bracket-Transmission
15	108-7476	3	Screw-Plastite
16	110-7191	2	Washer-Thrust



Handle Assembly

Ref.	Part Number	Qty.	Description
1	119-0308-05	1	Handle-Upper
2	86-9671	1	Guide-Rope
3	3256-1	1	Washer-Flat
4	3296-73	2	Nut-Lock, NI
5	117-5940-03	1	Bail-Brake
6	92-2270	1	Screw-Handle
7	114-7988	1	Guide-Cable
8	112-8818	1	Cable-Brake
9	117-5976	2	Knob-Handle, Locking
10	3230-6	2	Screw-CARR
11	112-8835-03	1	Bail-Traction, 2-Bail Flat
12	112-8817	1	Cable-Traction
13	120-5216	1	Grip-Handle, Comfort



Rear Bag Assembly

<i>Ref.</i>	<i>Part Number</i>	<i>Qty.</i>	<i>Description</i>
1	119-3759	1	Grass Bag ASM
2	120-7029-03	1	Bag Frame ASM

Attachments and Accessories

For 29639 50cm Mulching/Rear Bagging Lawn Mower

Product Name	Model/Part
Cover-Lawnmower	490-7462
Rear-Discharge Deflector, 2009 and After 20in Steel Deck Mower	89964

Notes:

Notes:

Notes:



Count on it.