



**Count on it.**

**Parts Catalog**

**Recycler® 48cm Lawn Mower**

Model No. 20950—Serial No. 311000001 and Up



# Ordering Replacement Parts

To order replacement parts, please supply the part number, the quantity, and the description of each part desired.

## Understanding Reference Numbers

Each identified part in an illustration has a reference number. The reference number for a part also appears in the parts list, along with other information about the part.

This catalog uses two special reference number formats, one to indicate parts in a service assembly and another to indicate the quantity of a given part in an illustration.

## Service Assembly Reference Numbers

Parts in service assemblies have reference numbers in the form a:b. The a represents the reference number of the entire service assembly and the b represents a sequential number unique to each part within the service assembly.

For example, a wheel assembly might be identified by reference number 6, the tire by 6:1, the valve by 6:2, and the wheel by 6:3. When you order the assembly identified by reference number 6, you receive all parts identified by reference numbers 6:1, 6:2, and 6:3. However, you may also order any part individually. Reference numbers of this type appear in illustration and in parts lists.

## Reference Numbers Indicating Quantity

In an illustration, if a reference number indicates more than one part, the reference number has the form nX y. The n represents the quantity of the part, the X is the multiplication symbol, and the y represents the reference number.

For example, in an illustration, the reference number 2X 37 means that two of the parts identified by reference number 37 are indicated.

# List of Abbreviations

**AR:** as required

**ASM:** assembly

**BBC:** blade brake control

**BHTF:** button head thread forming

**CARR:** carriage

**CCW:** counter clockwise

**CW:** clockwise

**DEG:** degrees

**DPA:** Dual Point Adjustment

**ECM:** electronic control module

**EXT:** external

**FH:** flat head

**GA:** gauge

**HD:** heavy-duty

**HF:** hex flange

**HH:** hex head

**HHF:** hex head flange

**HHFTF:** hex head flange thread forming

**HJ:** hex jam

**HLH:** hex lag head

**HOC:** height-of-cut

**HSBH:** hex socket button head

**HSFH:** hex socket flat head

**HSH:** hex socket head

**HWH:** hex washer head

**HWHTF:** hex washer head thread forming

**HYD:** hydraulic

**LH:** left hand

**LP:** Liquefied Petroleum Gas

**LPG:** Liquefied Petroleum Gas

**NI:** nylon insert

**NPTF:** national pipe thread fine

**PFH:** phillips flat head

**PPH:** phillips pan head

**PPHTF:** phillips pan head thread forming

**PRH:** phillips round head

**PTH:** phillips truss head

**PTO:** power-take-off

**RH:** right hand

**ROPS:** roll-over protection system

**RRB:** rear roller brush

**SFH:** slotted fillister head

**SHH:** slotted hex head

**SHWH:** slotted hex washer head

**SPH:** slotted pan head

**SQH:** square head

**SRH:** slotted round head

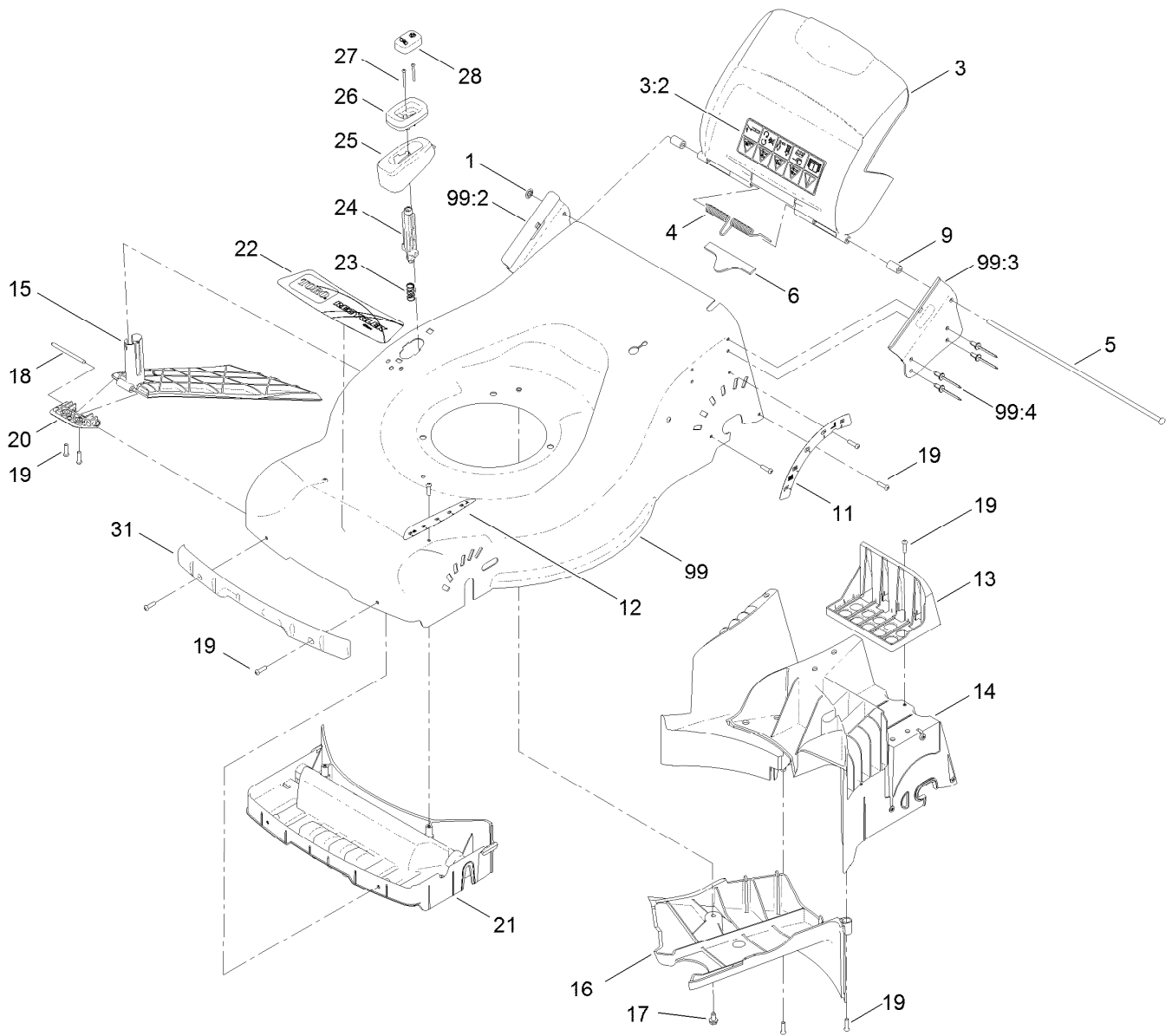
**STD:** standard

**TAP:** self tapping

**TTH:** torx truss head

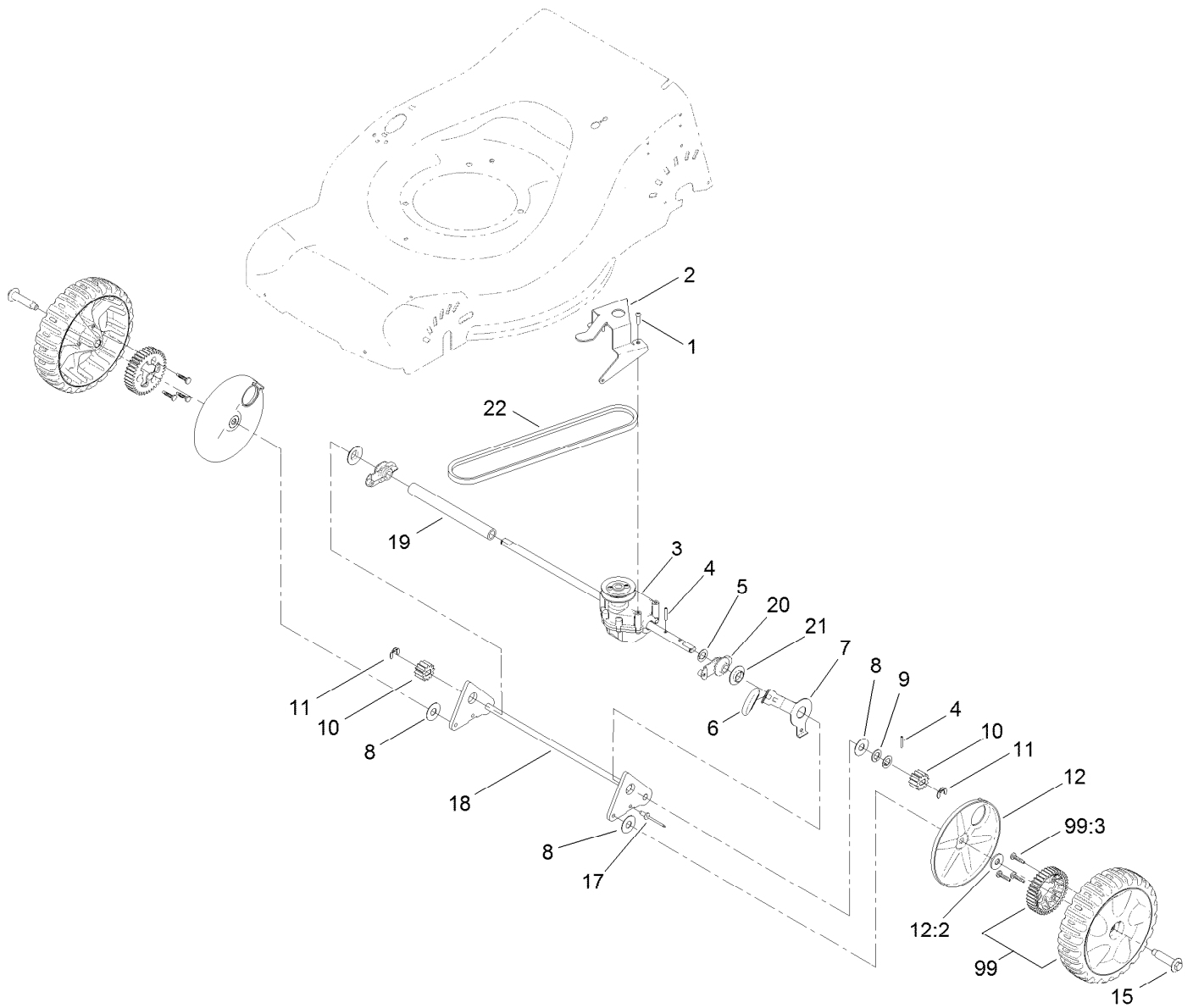
# Contents

Deck Assembly .....	4
Transmission and Rear Wheel Drive Assembly .....	5
Front Wheel and Height-of-Cut Assembly .....	6
Engine and Blade Assembly .....	7
Engine Assembly No. 119-1989 .....	8
Handle Assembly .....	10
Bag Assembly .....	11
Attachments and Accessories .....	12



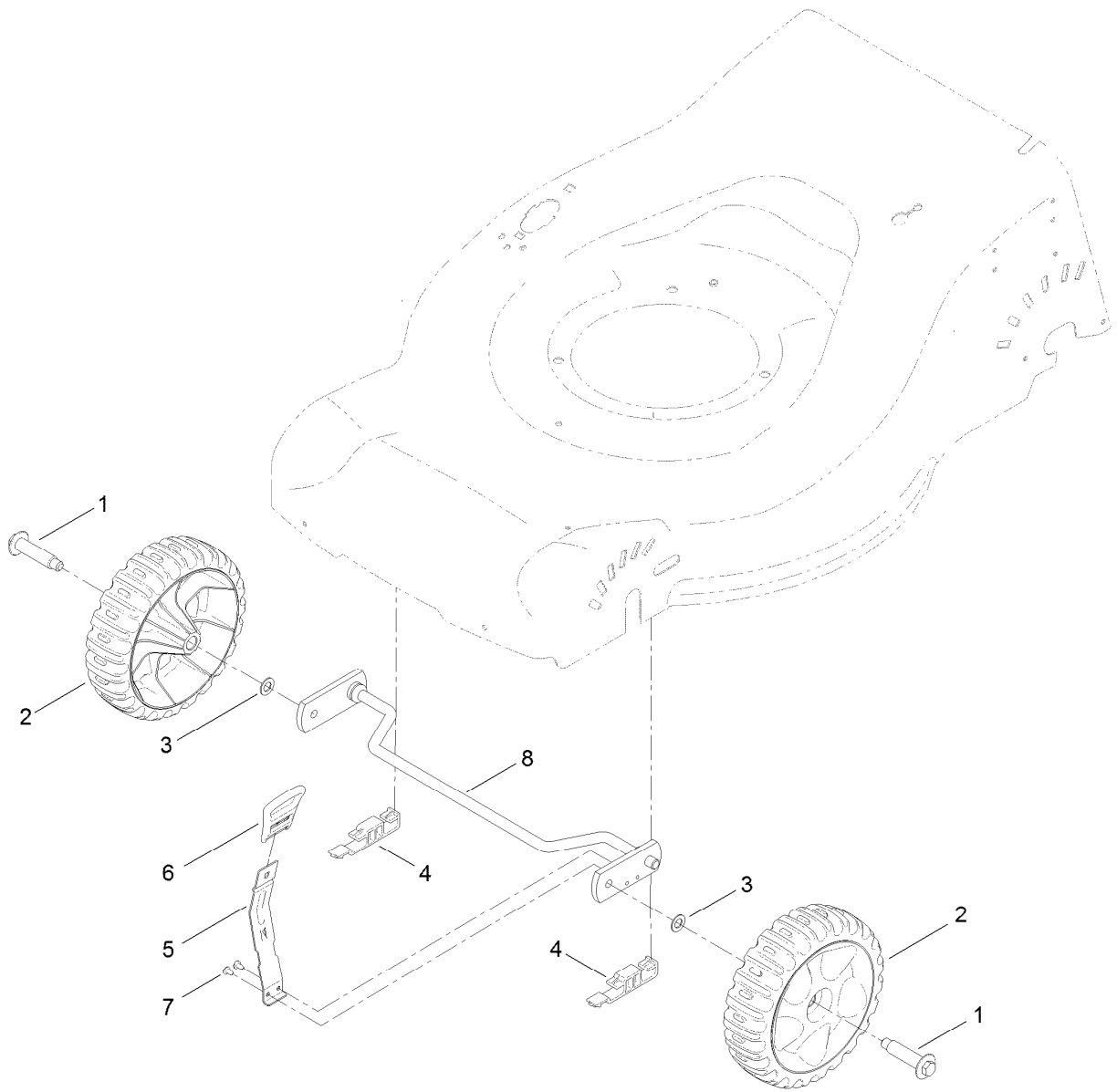
## Deck Assembly

Ref.	Part Number	Qty.	Description	Ref.	Part Number	Qty.	Description
1	110-7188	1	Washer-Starlock, Push	19	110-1271	17	Screw-Torx, Pan Head
3	120-3901	1	Rear Door ASM	20	110-7095	1	Hinge-Door, Recycle
3:2	110-7126	1	Decal-Warning	21	110-7066	1	Baffle-Front
4	110-7107	1	Spring-Torsion	22	120-0192	1	Decal-Deck
5	120-0153	1	Rod-Pivot	23	110-7141	1	Spring-Compression
6	120-3919	1	Seal-Rubber	24	110-7129	1	Latch-Recycle
9	120-0173	2	Spacer-Plastic	25	110-7097	1	Cover-Door, Recycle
11	120-0193	1	Decal-HOC, Rear	26	110-7136	1	Housing-Knob
12	110-7178	1	Decal	27	110-7143	2	Screw-Torx, Pan Head
13	120-0175	1	Tray-Battery	28	119-2254	1	Knob-Recycle
14	120-0157	1	Baffle-Rear	31	110-7067	1	Bumper-Front
15	110-7094	1	Door-Recycle	99	120-0199	1	Deck ASM
16	110-7109	1	Cover-Belt	99:2	120-0150	1	Bracket-Handle, Right
17	110-7170	1	Screw-HH	99:3	120-0151	1	Bracket-Handle, Left
18	110-7108	1	Pin-Hinge	99:4	110-7193	8	Rivet-Pop



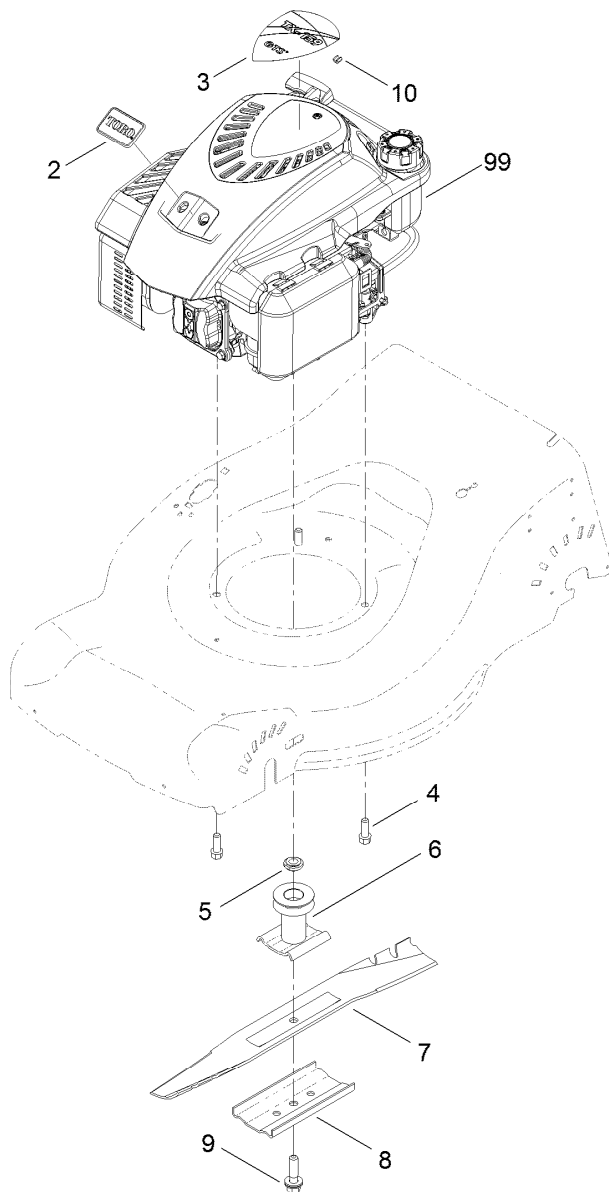
## Transmission and Rear Wheel Drive Assembly

Ref.	Part Number	Qty.	Description	Ref.	Part Number	Qty.	Description
1	110-1271	3	Screw-Torx, Pan Head	12:2	614426	1	Washer-Stepped
2	110-7158	1	Bracket-Gear Case	15	614650	2	Bolt-Shoulder
3	120-0181	1	Transmission	17	110-7193	1	Rivet-Pop
4	110-7192	2	Pin-Roll	18	120-0178	1	Rear Pivot Bar ASM
5	112-3911	2	Washer-Thrust, Keyed	19	115-3850	1	Spacer
6	110-7125	1	Knob-HOC	20	110-7112	2	Bushing-Camlock
7	120-0191	1	Arm-Spring, Rear	21	110-7171	2	Spacer-Flange
8	110-7179	3	Washer-Plain	22	110-9429	1	V-Belt
9	110-7191	1	Washer-Thrust	99	119-7068	2	8 Inch Wheel And Gear ASM
10	115-4668	2	Gear-Pinion, 12T	99:3	27-6260	3	Screw-Drive
11	65-2720	2	Ring-Clip, Locking				
12	110-1792	2	Wheel Cover ASM				



## Front Wheel and Height-of-Cut Assembly

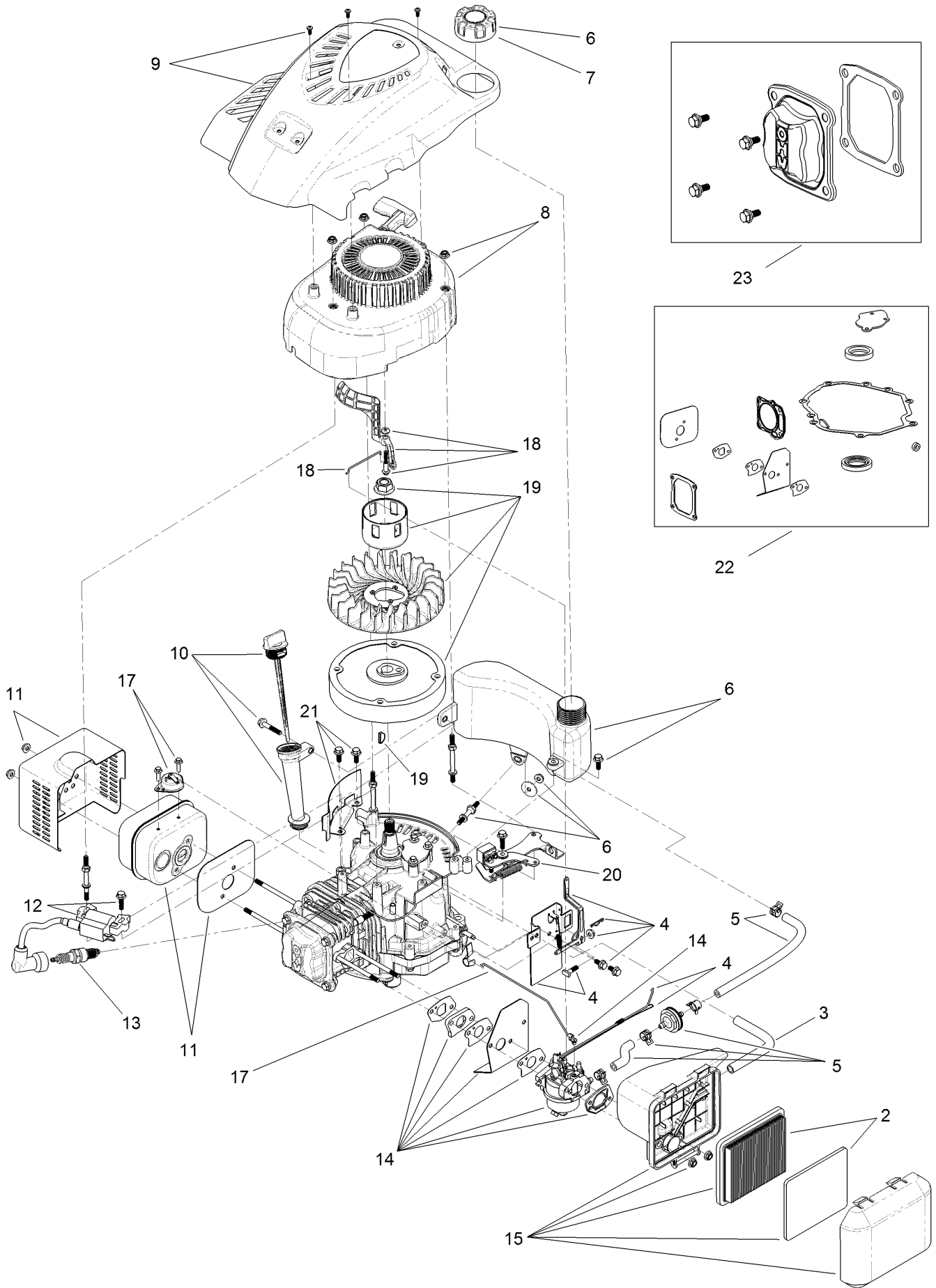
<i>Ref.</i>	<i>Part Number</i>	<i>Qty.</i>	<i>Description</i>
1	614650	2	Bolt-Shoulder
2	119-3777	2	7 Inch Wheel And Tire ASM
3	40-1940	2	Washer
4	110-7068	2	Clamp-Axle, Front
5	120-0168	1	Arm-Spring
6	110-7125	1	Knob-HOC
7	110-7175	2	Screw-Pan Head, TAP
8	120-0165	1	Front Pivot Bar ASM



## Engine and Blade Assembly

<i>Ref.</i>	<i>Part Number</i>	<i>Qty.</i>	<i>Description</i>
2	120-0183	1	Plate-Logo
3	120-1938	1	Decal-Shroud, Ce
4	92-1624	3	Screw-HWH
5	106-3999	1	Spacer-Driver
6	106-3987	1	Blade Driver ASM
7	110-7080	1	Blade
8	108-3766	1	Support-Blade
9	105-8579	1	Bolt-Blade
10	92-1701	1	Stop-Rope
99	119-1989	1	Engine-Lc1P65Fa

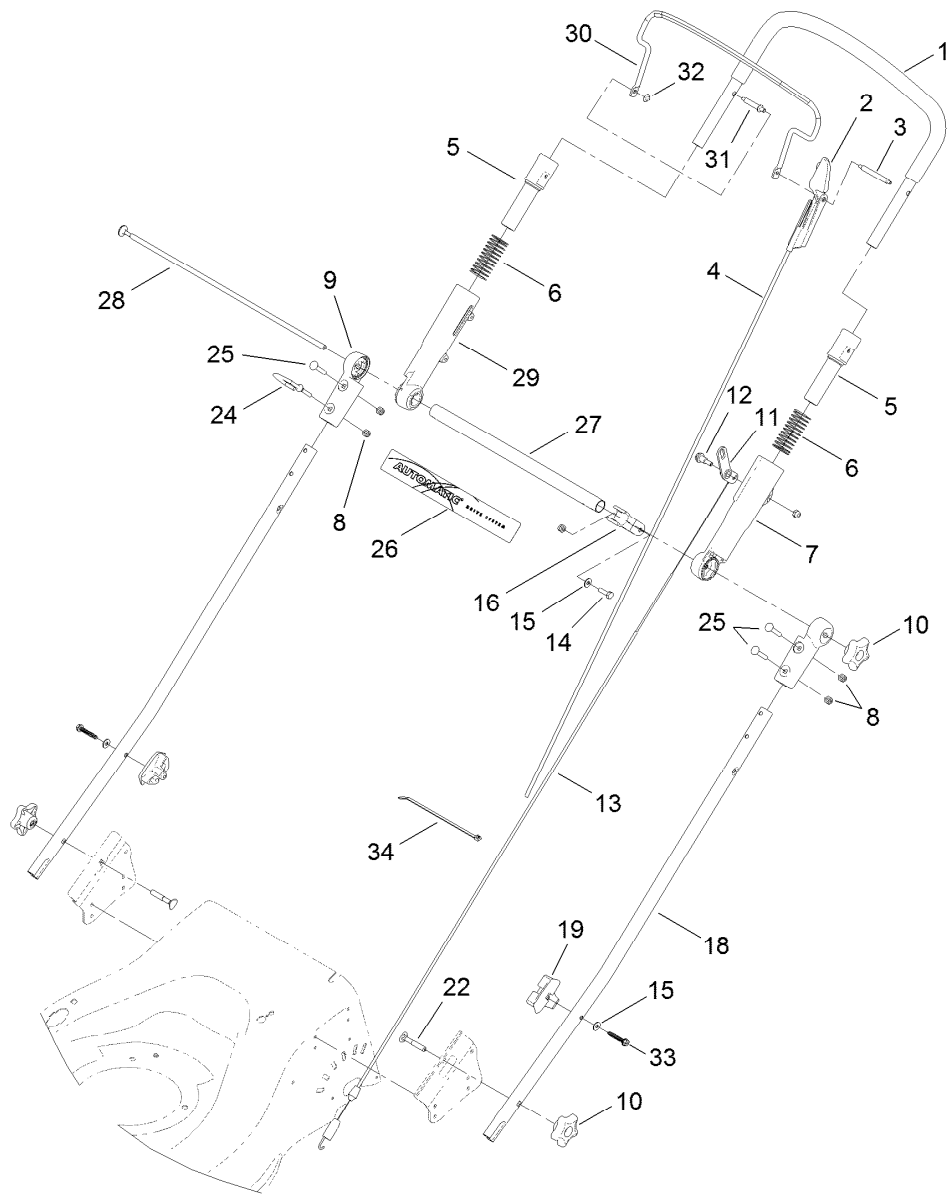
# Engine Assembly No. 119-1989





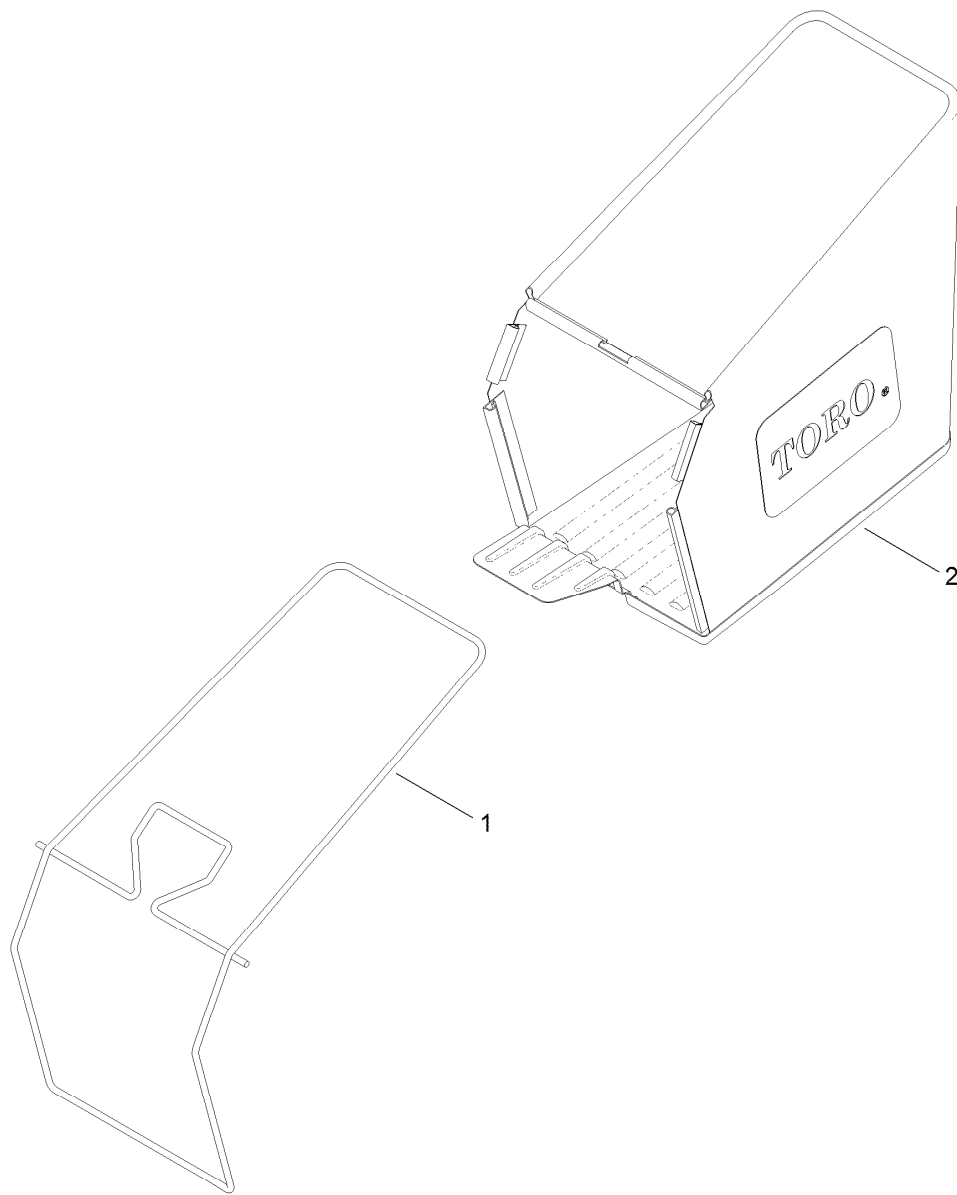
## Engine Assembly No. 119-1989 (continued)

<i>Ref.</i>	<i>Part Number</i>	<i>Qty.</i>	<i>Description</i>	<i>Ref.</i>	<i>Part Number</i>	<i>Qty.</i>	<i>Description</i>
2	119-1909	1	Air Filter And Prefilter Kit	13	119-1901	1	Spark Plug
3	119-1902	1	Tube-Breather	14	120-4404	1	Carburetor Complete Kit
4	119-1968	1	Governor Arm Kit	14	120-4405	1	Carburetor Repair Kit
5	120-4400	1	Fuel Line Kit	15	121-0374	1	Air Cleaner ASM, 2 Hinge
6	119-1915	1	Fuel Tank Kit (Cap And Hardware)	17	119-1999	1	Thermal Choke Control Kit
7	119-1914	1	Cap-Fuel	18	119-1966	1	Air Vane Choke Kit
8	119-1904	1	Shroud And Recoil ASM	19	119-1970	1	Flywheel And Fan Kit
9	119-1990	1	Shroud ASM	20	119-1991	1	Brake ASM Recoil Kit
10	119-1903	1	Dipstick And Fill Tube Kit	21	119-1994	1	Flywheel Shield Kit
11	119-1969	1	Muffler And Shield Kit	22	121-0425	1	Seal And Gasket Kit
12	119-1908	1	Ignition And Hardware Kit	23	121-0492	1	Kit-Valve Cover



## Handle Assembly

Ref.	Part Number	Qty.	Description	Ref.	Part Number	Qty.	Description
1	108-0974	1	Upper Handle ASM	16	112-8801	1	Clamp-Cable
2	112-8764	1	Stop-Pivot	18	120-0187	2	Tube-Handle
3	108-1008	1	Pin-Bail, LH	19	112-3928	2	Anchor-Bag
4	107-3903	1	Cable-Brake	22	112-8876	2	Screw-Handle
5	112-8754	2	Sleeve-Inner	24	107-3908	1	Guide-Rope, Upper
6	107-3869	2	Spring-Compression	25	108-0988	3	Screw-CARR
7	112-1544	1	Sleeve-Outer, LH	26	120-3907	1	Decal-Ads
8	3296-73	6	Nut-Lock, NI	27	107-3867-03	1	Tube-Cross
9	107-3865	2	Mount-Handle, Lower	28	107-3871	1	Rod-Threaded
10	117-5976	3	Knob-Handle, Locking	29	112-1545	1	Sleeve-Outer, RH
11	107-3893	1	Lever-Traction	30	110-1819-03	1	Bail-Brake
12	104-0858	1	Bolt-Shoulder	31	108-0959	1	Pin-Handle
13	110-9162	1	Cable-Traction	32	108-9378	1	Retainer-Push On
14	321-5	1	Screw-HH	33	108-4946	2	Screw-Plastite
15	3256-1	3	Washer-Flat	34	614249	1	Tie-Cable



## Bag Assembly

<i>Ref.</i>	<i>Part Number</i>	<i>Qty.</i>	<i>Description</i>
1	114-5374	1	Bag Frame ASM
2	110-7255	1	Bag ASM

# Attachments and Accessories

## For 20950 Recycler 48cm Lawn Mower

**Product Name**

**Model/Part**

Cover-Lawnmower ..... 490-7462

**Notes:**

**Notes:**

**Notes:**



**Count on it.**