



**Count on it.**

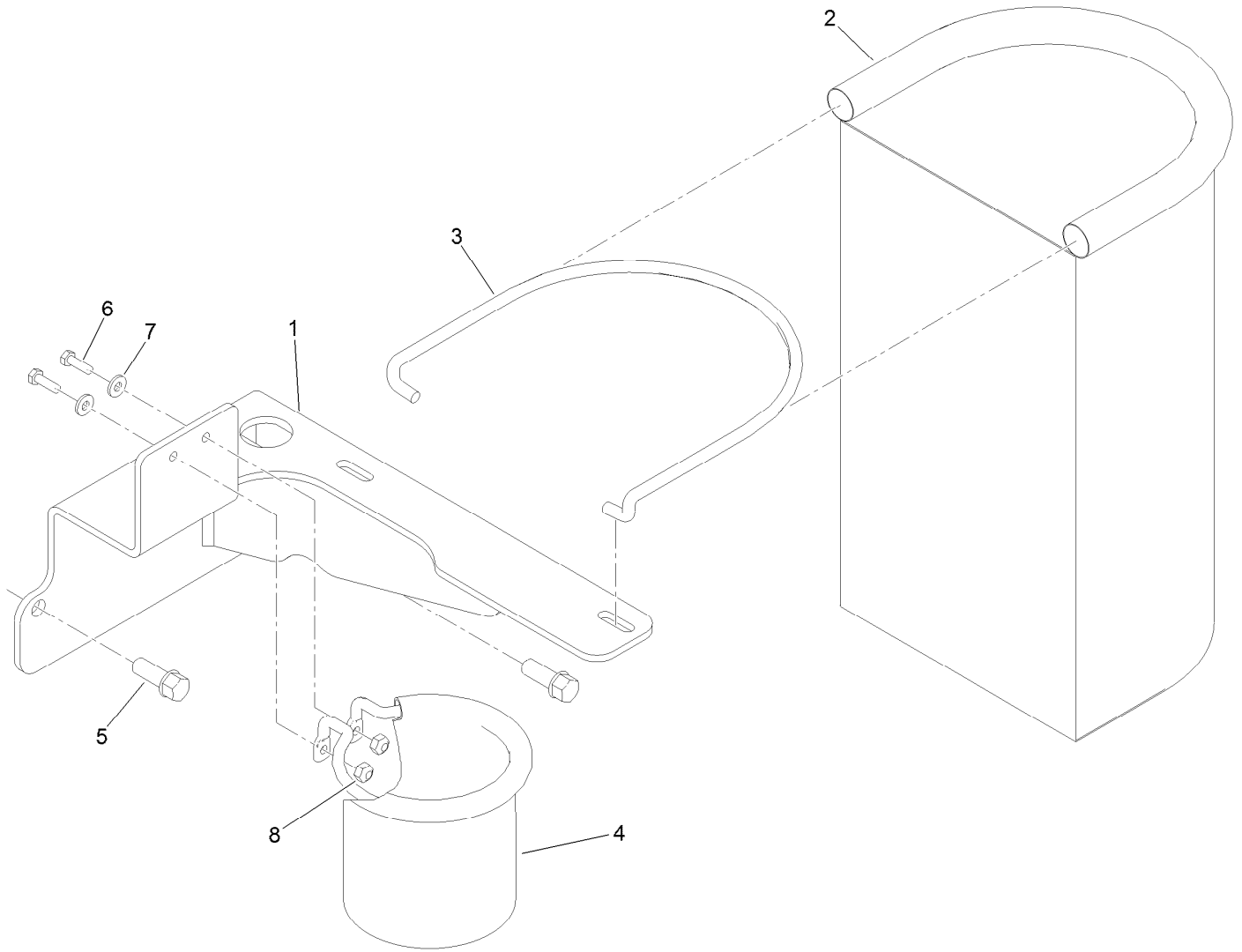
**Parts Catalog**

**Trash Bag Kit**

**GrandStand® Mower with 60-inch/122cm  
Cutting Unit**

**Model No. 121-6039**





## Trash Bag Kit Assembly No. 121-6039

| <i>Ref.</i> | <i>Part Number</i> | <i>Qty.</i> | <i>Description</i>    |
|-------------|--------------------|-------------|-----------------------|
| 1           | 121-6038-01        | 1           | Trash Bag Bracket ASM |
| 2           | 103-5971           | 1           | Bag-Trash             |
| 3           | 117-0546           | 1           | Rod-Bag, Trash        |
| 4           | 117-2378           | 1           | Bag Holder ASM        |
| 5           | 92-1624            | 2           | Screw-HWH             |
| 6           | 3290-134           | 2           | Screw                 |
| 7           | 3256-14            | 2           | Washer-Flat           |
| 8           | 3296-2             | 2           | Nut-Lock, NI          |