



# 22in Recycler<sup>®</sup> Lawn Mower

Model No. 20333—Serial No. 313000001 and Up

Model No. 20333C—Serial No. 313000001 and Up

## Operator's Manual

Replacement parts are available from an Authorized Service Dealer or at [www.shoptoro.com](http://www.shoptoro.com).

## Introduction

This rotary-blade, walk-behind lawn mower is intended to be used by residential homeowners. It is designed primarily for cutting grass on well-maintained lawns on residential properties. It is not designed for cutting brush or for agricultural uses.

Read this information carefully to learn how to operate and maintain your product properly and to avoid injury and product damage. You are responsible for operating the product properly and safely.

You may contact Toro directly at [www.Toro.com](http://www.Toro.com) for product and accessory information, help finding a dealer, or to register your product.

Whenever you need service, genuine Toro parts, or additional information, contact an Authorized Service Dealer or Toro Customer Service and have the model and serial numbers of your product ready. Figure 1 identifies the location of the model and serial numbers on the product.

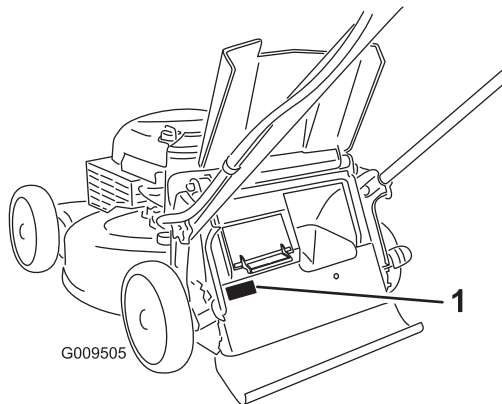


Figure 1

1. Model and serial number plate

Write the product model and serial numbers in the space below:

Model No.	_____
Serial No.	_____

This manual identifies potential hazards and has safety messages identified by the safety alert symbol (Figure 2), which signals a hazard that may cause serious injury or death if you do not follow the recommended precautions.



Figure 2

1. Safety alert symbol

This manual uses 2 words to highlight information.

**Important** calls attention to special mechanical information and **Note** emphasizes general information worthy of special attention.

### WARNING

#### CALIFORNIA Proposition 65 Warning

**This product contains a chemical or chemicals known to the State of California to cause cancer, birth defects, or other reproductive harm.**

**The engine exhaust from this product contains chemicals known to the State of California to cause cancer, birth defects, or other reproductive harm.**

**Important:** This engine is not equipped with a spark arrester muffler. It is a violation of California Public Resource Code Section 4442 to use or operate the engine on any forest-covered, brush-covered, or grass-covered land. Other states or federal areas may have similar laws.

This spark ignition system complies with Canadian ICES-002.

The enclosed *Engine Owner's Manual* is supplied for information regarding the US Environmental Protection Agency (EPA) and the California Emission Control Regulation of emission systems, maintenance, and warranty. Replacements may be ordered through the engine manufacturer.



For models with stated engine horsepower, the gross horsepower of the engine was laboratory rated by the engine manufacturer in accordance with SAE J1940. As configured to meet safety, emission, and operating requirements, the actual engine horsepower on this class of lawn mower will be significantly lower.

# Contents

Introduction .....	1
General Operation .....	2
Slope Operation .....	3
Children .....	3
Service .....	3
Safety and Instructional Decals .....	4
Setup .....	5
1 Installing the Blade-control Bar .....	5
2 Installing the Handle .....	5
3 Installing the Recoil-starter Rope in the Rope Guide .....	5
4 Filling the Engine with Oil .....	6
Product Overview .....	7
Operation .....	7
Filling the Fuel Tank .....	7
Checking the Engine Oil Level .....	8
Adjusting the Cutting Height .....	8
Starting the Engine .....	9
Using the Self-propel Drive .....	9
Stopping the Engine .....	9
Engaging the Blade .....	9
Disengaging the Blade .....	10
Checking the Blade-brake-clutch Operation .....	10
Recycling the Clippings .....	10
Bagging the Clippings .....	10
Side-discharging the Clippings .....	12
Operating Tips .....	13
Maintenance .....	14
Recommended Maintenance Schedule(s) .....	14
Preparing for Maintenance .....	14
Replacing the Air Filter .....	15
Changing the Engine Oil .....	15
Replacing the Blade .....	16
Cleaning the Blade-brake-clutch Shield .....	16
Adjusting the Self-propel Drive Cable .....	17
Cleaning under the Machine Housing .....	17
Storage .....	18
Preparing the Machine for Storage .....	18
Folding the Handle .....	18
Removing the Machine from Storage .....	18

# Safety

This lawn mower meets or exceeds the CPSC blade safety requirements for walk-behind rotary lawn mowers and the B71.1 specifications of the American National Standards Institute in effect at the time of production.

## Read and understand the contents of this manual before you start the engine.

The safety alert symbol (Figure 2) is used to alert you to potential personal injury hazards. Obey all safety messages that follow this symbol to avoid possible injury or death. Improperly using or maintaining this mower could result in injury or death. To reduce this potential, comply with the following safety instructions.

The following instructions have been adapted from the ANSI/OPEI standard B71.1-2003.

**This cutting machine can amputate hands and feet and throw objects. Failure to observe the following safety instructions could result in serious injury or death.**

## General Operation

- Read, understand, and follow all instructions on the machine and in the manual(s) before starting.
- Do not put hands or feet near or under the machine. Keep clear of the discharge opening at all times.
- Only allow responsible adults, who are familiar with the instructions, to operate this machine.
- Clear the area of objects such as rocks, wire, toys, etc., which could be thrown by the blade. Stay behind the handle when the engine is running.
- Be sure the area is clear of bystanders before operating. Stop machine if anyone enters the area.
- Do not operate machine barefooted or while wearing sandals. Always wear substantial footwear.
- Do not pull machine backward unless absolutely necessary. Always look down and behind before and while moving backward.
- Never direct discharged material toward anyone. Avoid discharging material against a wall or obstruction. Material may ricochet back toward the operator. Stop the blade when crossing gravel surfaces.
- Do not operate machine without the entire grass catcher, discharge guard, rear guard, or other safety protective devices in place and working.
- Never leave a running machine unattended.
- Stop the engine and wait until the blade comes to a complete stop before cleaning the machine, removing grass catcher, or unclogging the discharge guard.
- Operate machine only in daylight or good artificial light.
- Do not operate machine while under the influence of alcohol or drugs.
- Never operate mower in wet grass. Always be sure of your footing; walk; never run.
- Disengage the drive system, if so equipped, before starting the engine.
- If the machine should start to vibrate abnormally, stop the engine and check for the cause immediately. Vibration is generally a warning of trouble.

- Always wear eye protection when operating machine.
- See manufacturer's instructions for proper operation and installation of accessories. Only use accessories approved by the manufacturer.

## Slope Operation

Slopes are a major factor related to slip and fall accidents, which can result in severe injury. Operation on all slopes require extra caution. If you feel uneasy on a slope, do not mow it.

- Mow across the face of slopes; never up and down. Exercise extreme caution when changing direction on slopes.
- Watch for holes, ruts, bumps, rocks, or other hidden objects. Uneven terrain could cause a slip and fall accident. Tall grass can hide obstacles.
- Do not mow on wet grass or excessively steep slopes. Poor footing could cause a slip and fall accident.
- Do not mow near drop-offs, ditches, or embankments. You could lose your footing or balance.

## Children

Tragic accidents can occur if the operator is not alert to the presence of children. Children are often attracted to the machine and the mowing activity. **Never** assume that children will remain where you last saw them.

- Keep children out of the mowing area and under the watchful care of a responsible adult other than the operator.
- Be alert and turn mower off if a child enters the area.
- Never allow children to operate the machine.
- Use extra care when approaching blind corners, shrubs, trees, or other objects that may block your view of a child.

## Service

### Safe Handling of Gasoline

**To avoid personal injury or property damage, use extreme care in handling gasoline. Gasoline is extremely flammable and the vapors are explosive.**

- Extinguish all cigarettes, cigars, pipes, and other sources of ignition.
- Use only an approved gasoline container.
- Never remove gas cap or add fuel with the engine running. Allow engine to cool before refueling.
- Never refuel the machine indoors.
- Never store the machine or fuel container where there is an open flame, spark, or pilot light such as on a water heater or on other appliances.

- Never fill containers inside a vehicle or on a truck or trailer bed with a plastic liner. Always place containers on the ground away from your vehicle before filling.
- Remove gas-powered equipment from the truck or trailer and refuel it on the ground. If this is not possible, then refuel such equipment with a portable container, rather than from a gasoline dispenser nozzle.
- Keep the nozzle in contact with the rim of the fuel tank or container opening at all times until fueling is complete. Do not use a nozzle lock-open device.
- If fuel is spilled on clothing, change clothing immediately.
- Never overfill fuel tank. Replace gas cap and tighten securely.

### **▲ WARNING**

**Exhaust contains carbon monoxide, an odorless, deadly poison that can kill you.**

**Do not run the engine indoors or in an enclosed area.**

### General Service

- Never operate machine in a closed area.
- Keep all nuts and bolts tight to be sure the equipment is in safe working condition.
- Never tamper with safety devices. Check their proper operation regularly.
- Keep machine free of grass, leaves, or other debris build-up. Clean up oil or fuel spillage and remove any fuel-soaked debris. Allow machine to cool before storing.
- If you strike a foreign object, stop and inspect the machine. Repair, if necessary, before starting.
- Never make any adjustments or repairs with the engine running. Disconnect the spark plug wire and ground against engine to prevent unintended starting.
- Check grass catcher components and the discharge guard frequently and replace with manufacturer's recommended parts, when necessary.
- Mower blades are sharp. Wrap the blade or wear gloves, and use extra caution when servicing them.
- Do not change the engine governor setting or overspeed the engine.
- Maintain or replace safety and instruction labels, as necessary.

# Safety and Instructional Decals

**Important:** Safety and instruction decals are located near areas of potential danger. Replace damaged decals.



**Manufacturer's Mark**

1. Indicates the blade is identified as a part from the original machine manufacturer.



**94-8072**



**108-8117**



**112-8867**

1. Lock
2. Unlock



**114-7982**

1. Warning—read the *Operator's Manual*.
2. Thrown object hazard—keep bystanders a safe distance from the machine.
3. Cutting/dismemberment hazard of hand or foot, mower blade—remove the ignition key and read the instructions before servicing or performing maintenance.
4. Cutting/dismemberment hazard of hand or foot, mower blade—stay away from moving parts.
5. Cutting/dismemberment hazard of hand or foot, mower blade—do not operate up and down slopes; operate side to side on slopes; stop the engine before leaving the operating position; and look behind you when backing up.

## CALIFORNIA SPARK ARRESTER WARNING

Operation of this equipment may create sparks that can start fires around dry vegetation. A spark arrester may be required. The operator should contact local fire agencies for laws or regulations relating to fire prevention requirements. 117-2718

**117-2718**

# Setup

**Important:** Remove and discard the protective plastic sheet that covers the engine.

# 1

## Installing the Blade-control Bar

No Parts Required

### Procedure

Install the blade-control bar into the upper handle (Figure 3).

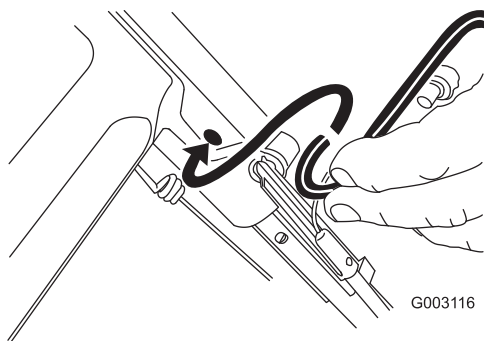


Figure 3

# 2

## Installing the Handle

No Parts Required

### Procedure

#### **⚠ WARNING**

Folding or unfolding the handle improperly can damage the cables, causing an unsafe operating condition.

- Do not damage the cables when folding or unfolding the handle.
- If a cable is damaged, contact an Authorized Service Dealer.

1. Remove the handle knobs from the machine housing (Figure 4).

**Important:** Route the cables to the outside of the handle knobs as you install the handle.

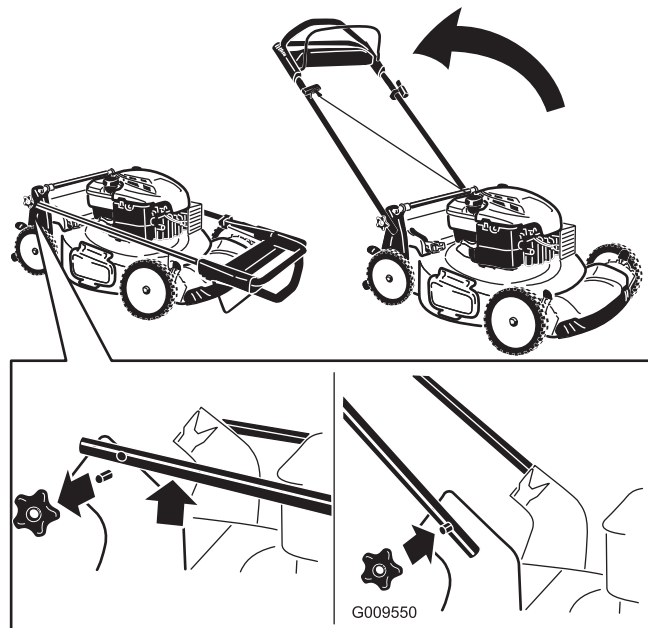


Figure 4

2. Move the handle to the operating position.
3. Install and tighten the handle knobs that you removed in step 1.

# 3

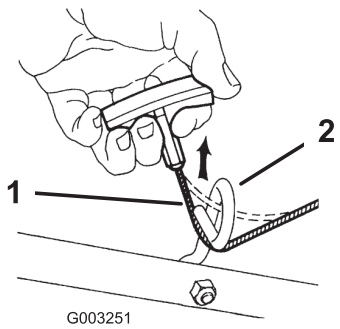
## Installing the Recoil-starter Rope in the Rope Guide

No Parts Required

### Procedure

**Important:** To start the engine safely and easily whenever you use the machine, install the recoil-starter rope in the rope guide.

Pull the recoil-starter rope through the rope guide on the handle (Figure 5).



**Figure 5**

1. Recoil-starter rope
2. Rope guide

# 4

## Filling the Engine with Oil

### No Parts Required

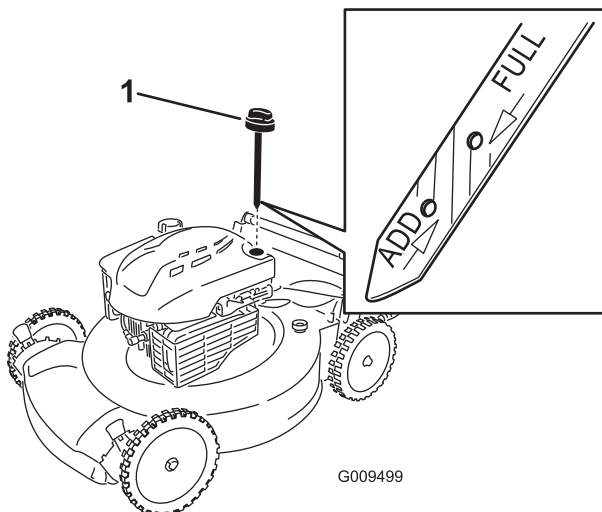
### Procedure

**Important:** Your machine does not come with oil in the engine, but it does come with a bottle of oil. Before starting the engine, fill the engine with oil.

Max. fill: 20 oz. (0.59 l), type: SAE 30 detergent oil with an API service classification of SF, SG, SH, SJ, SL, or higher.

**Note:** When the crankcase is empty, pour about 3/4 of the crankcase capacity of oil in the crankcase, then do the following:

1. Move the machine to a level surface.
2. Remove the dipstick by rotating the cap counterclockwise and pulling it out (Figure 6).



**Figure 6**

1. Dipstick

3. Wipe the dipstick clean with a clean cloth.
4. Insert the dipstick fully into the oil-fill tube, then remove the dipstick.
5. Read the oil level on the dipstick (Figure 6).
  - If the oil level is below the Add mark on the dipstick, slowly pour a small amount of oil into the oil-fill tube, wait 3 minutes, and repeat steps 3 through 5 until the oil level on the dipstick is at the Full mark.
  - If the oil level is above the Full mark on the dipstick, drain the excess oil until the oil level on the dipstick is at the Full mark. Refer to Changing the Engine Oil (page 15).

**Important:** If the oil level in the crankcase is too low or too high and you run the engine, you may damage the engine.

6. Install the dipstick securely.

**Important:** *Change the engine oil after the first 5 operating hours; change it yearly thereafter. Refer to Changing the Engine Oil (page 15).*



# Product Overview

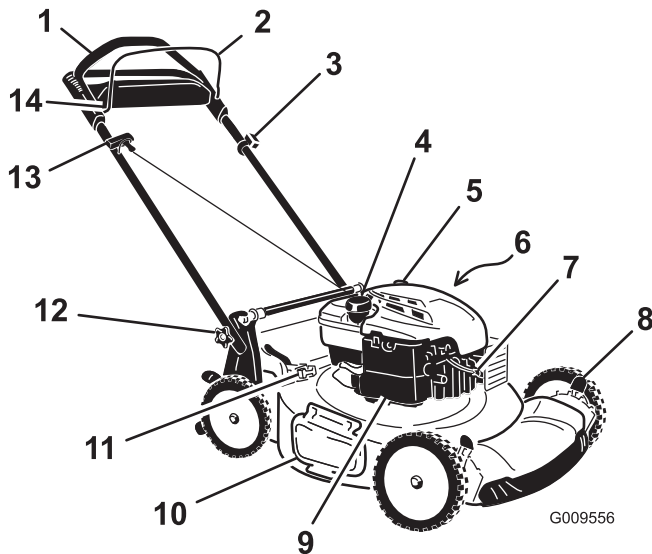


Figure 7

- |                             |                              |
|-----------------------------|------------------------------|
| 1. Handle                   | 8. Cutting-height lever (4)  |
| 2. Blade-control bar        | 9. Spark plug                |
| 3. Ignition switch          | 10. Side-discharge deflector |
| 4. Oil fill/dipstick        | 11. Bag-on-demand lever      |
| 5. Fuel-tank cap            | 12. Handle knob (2)          |
| 6. Washout port (not shown) | 13. Recoil-start handle      |
| 7. Air filter               | 14. Control-bar lock         |

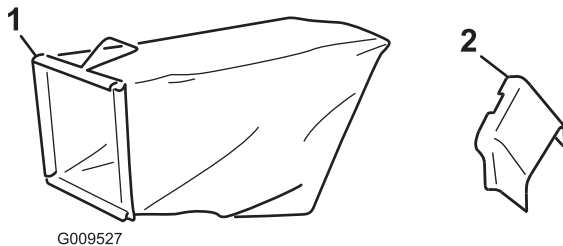


Figure 8

- |              |                         |
|--------------|-------------------------|
| 1. Grass bag | 2. Side-discharge chute |
|--------------|-------------------------|

# Operation

## Filling the Fuel Tank

### **⚠ DANGER**

Gasoline is extremely flammable and explosive. A fire or explosion from gasoline can burn you and others.

- To prevent a static charge from igniting the gasoline, place the container and/or machine directly on the ground before filling, not in a vehicle or on an object.
- Fill the tank outdoors when the engine is cold. Wipe up spills.
- Do not handle gasoline when smoking or around an open flame or sparks.
- Store gasoline in an approved fuel container, out of the reach of children.

Fill the fuel tank with fresh unleaded regular gasoline (having an octane rating of 87 or higher) from a major name-brand service station (Figure 9).

**Note:** Never use methanol, gasoline containing methanol, or gasoline containing more than 10% ethanol because the fuel system could be damaged. Do not mix oil with gasoline.

**Important:** To reduce starting problems, add fuel stabilizer to the fuel all season, mixing it with gasoline less than 30 days old.

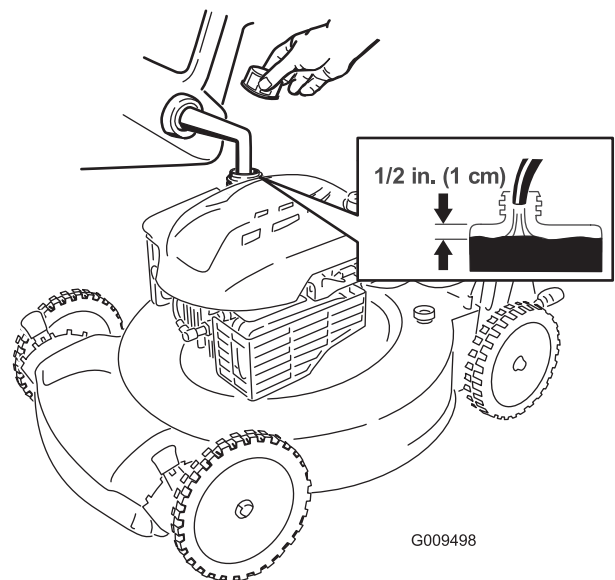


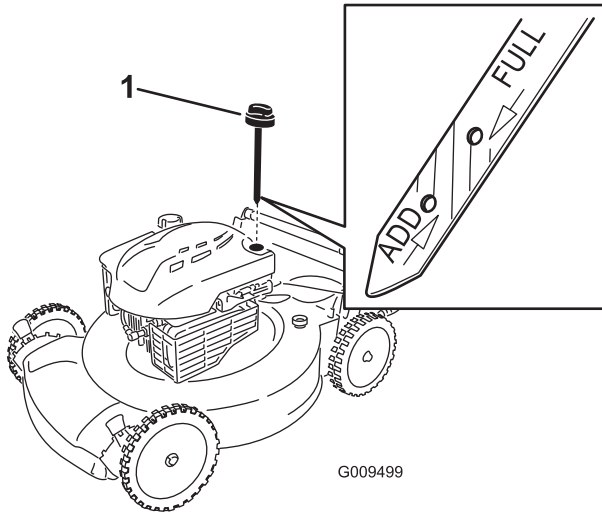
Figure 9

# Checking the Engine Oil Level

**Service Interval:** Before each use or daily

**Note:** Max. fill: 20 oz. (0.59 l), type: SAE 30 detergent oil with an API service classification of SF, SG, SH, SJ, SL, or higher.

1. Move the machine to a level surface.
2. Remove the dipstick (Figure 10).



**Figure 10**

1. Dipstick

3. Wipe the dipstick clean with a clean cloth.
4. Insert the dipstick fully into the oil-fill tube, then remove the dipstick.
5. Read the oil level on the dipstick (Figure 10).
  - If the oil level is below the Add mark on the dipstick, slowly pour a small amount of oil into the oil-fill tube, wait 3 minutes, and repeat steps 3 through 5 until the oil level is at the **Full** mark on the dipstick (Figure 10).
  - If the oil level is above the Full mark on the dipstick, drain the excess oil until the oil level on the dipstick is at the Full mark. Refer to Changing the Engine Oil (page 15).

**Important:** If the oil level in the crankcase is too low or too high and you run the engine, you may damage the engine.

6. Install the dipstick securely.

# Adjusting the Cutting Height

## ⚠ WARNING

Adjusting the cutting height may bring you into contact with the moving blade, causing serious injury.

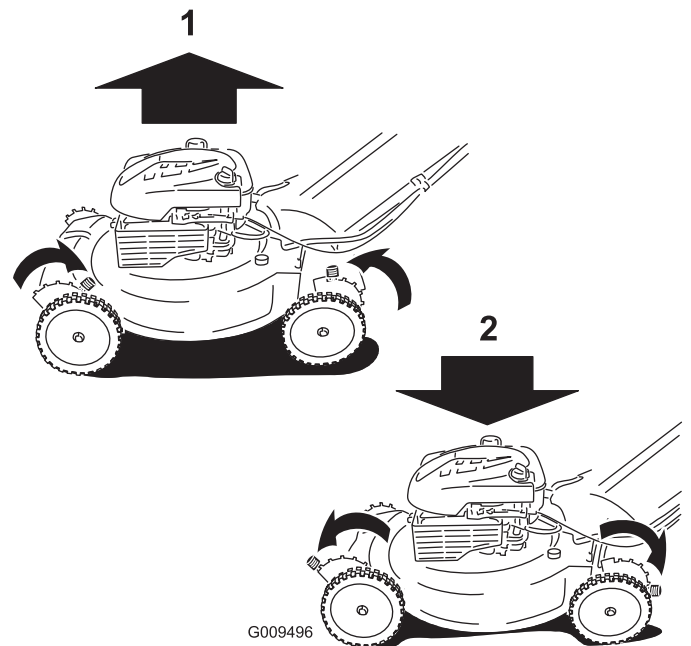
- Stop the engine and wait for all moving parts to stop.
- Do not put your fingers under the housing when adjusting the cutting height.

## ⚠ CAUTION

If the engine has been running, the muffler will be hot and can severely burn you. Keep away from the hot muffler.

Adjust the cutting height as desired. Set the front wheels to the same height as the rear wheels (Figure 11).

**Note:** To raise the machine, move the front cutting-height levers rearward and the rear cutting-height levers forward. To lower the machine, move the front cutting-height levers forward and the rear cutting-height levers rearward.



**Figure 11**

1. Raise the machine
2. Lower the machine

**Note:** The cutting-height settings are 1 inch (25 mm); 1-3/8 inches (35 mm); 1-3/4 inches (44 mm); 2-1/8 inches (54 mm); 2-1/2 inches (64 mm); 2-7/8 inches (73 mm); 3-1/4 inches (83 mm); 3-5/8 inches (92 mm); and 4 inches (102 mm).



# Starting the Engine

**Note:** You can start the engine either from the operating position (Figure 12) or at the engine (with the recoil-start handle out of the rope guide).

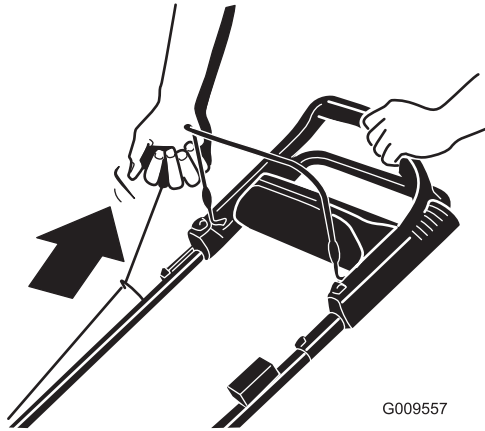


Figure 12

G009557

Pull the recoil starter lightly until you feel resistance, then pull it sharply. Allow the rope to return to the handle slowly.

**Note:** If the machine does not start after several attempts, contact an Authorized Service Dealer.

# Using the Self-propel Drive

To operate the self-propel drive, simply walk with your hands on the upper handle and your elbows at your sides, and the machine will automatically keep pace with you (Figure 13).

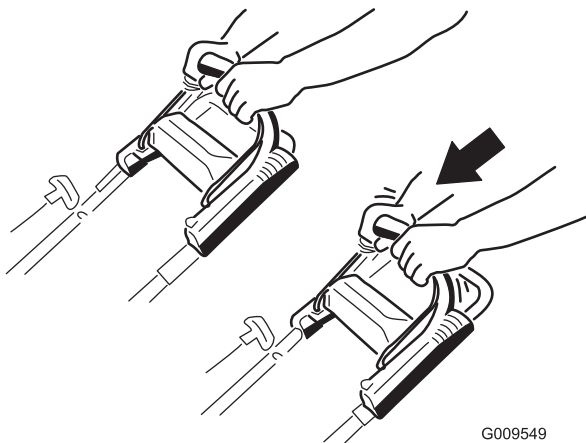


Figure 13

G009549

**Note:** If the machine does not freely roll backward after self-propelling, stop walking, hold your hands in place, and allow the machine to roll a couple of inches (centimeters) forward to disengage the wheel drive. You can also try reaching just under the personal pace handle to the metal handle and push the machine forward a couple of inches

(centimeters). If the machine still does not roll backward easily, contact an Authorized Service Dealer.

# Stopping the Engine

To stop the engine, press and hold the ignition switch (Figure 7) until the engine stops.

**Important:** When you release the blade-control bar, the blade should stop within 3 seconds. If it does not stop properly, stop using your machine immediately and contact an Authorized Service Dealer.

# Engaging the Blade

When you start your engine, the blade does not turn. You must engage the blade to mow.

1. Pull the control-bar lock back (Figure 14).

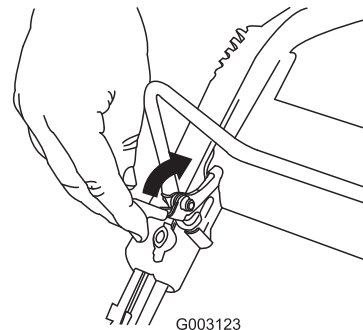


Figure 14

G003123

2. Pull the blade-control bar to the handle (Figure 15).

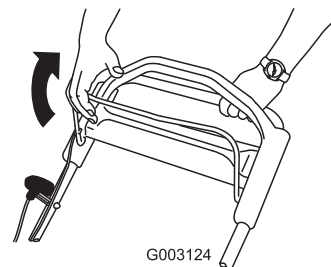


Figure 15

G003124

3. Hold the blade-control bar against the handle (Figure 16).

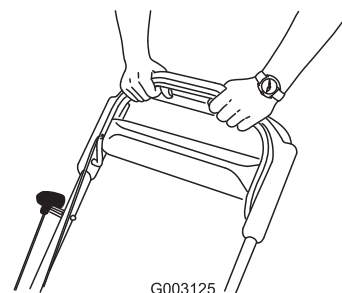


Figure 16

G003125

## Disengaging the Blade

Release the blade control bar (Figure 17).

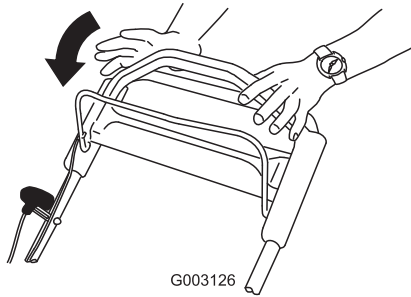


Figure 17

**Important:** When you release the blade-control bar, the blade should stop within 3 seconds. If it does not stop properly, stop using your machine immediately and contact an Authorized Service Dealer.

## Checking the Blade-brake-clutch Operation

Check the control bar before each use to ensure that the blade-brake-clutch system is operating properly.

### Using the Grass Bag

**Service Interval:** Before each use or daily

You can use the grass bag to perform an additional test to check the blade-brake clutch.

1. Install the empty grass bag on the machine.
2. Start the engine.
3. Engage the blade.

**Note:** The bag should begin to inflate, indicating that the blade is engaged and rotating.

4. Release the blade-control bar.

**Note:** If the bag does not immediately deflate, the blade is still rotating. The blade-brake clutch may be deteriorating and, if ignored, could result in an unsafe operating condition. Have the machine inspected and serviced by an Authorized Service Dealer.

5. Stop the engine and wait for all moving parts to stop.

### Not Using the Grass Bag

1. Move the machine onto a paved surface in a non-windy area.
2. Set all 4 wheels to the 3-1/4 inch (83 mm) cut setting.
3. Take a half sheet of newspaper and crumple it into a ball small enough to go under the machine housing (about 3 inches or 76 mm in diameter).
4. Place the newspaper ball about 5 inches (13 cm) in front of the machine.

5. Start the engine.
6. Engage the blade.
7. Release the blade-control bar.
8. Immediately push the machine over the newspaper ball.
9. Stop the engine and wait for all moving parts to stop.
10. Go to the front of the machine and check the newspaper ball.

**Note:** If the newspaper ball did not go under the machine, repeat steps 4 through 10.

11. If the newspaper is unraveled or shredded, the blade did not stop properly, which could result in an unsafe operating condition. Contact an Authorized Service Dealer.

## Recycling the Clippings

Your machine comes from the factory ready to recycle the grass and leaf clippings back into the lawn.

If the grass bag is on the machine and the bag-on-demand lever is in the bagging position, move the lever to the recycling position; refer to Operating the Bag-on-Demand Lever (page 11) before recycling the clippings. If the side-discharge chute is on the machine, remove it; refer to Removing the Side-discharge Chute (page 12) before recycling the clippings.

## Bagging the Clippings

Use the grass bag when you want to collect grass and leaf clippings from the lawn.

### ⚠ WARNING

**A worn grass bag could allow small stones and other similar debris to be thrown in the operator's or bystander's direction and result in serious personal injury or death to the operator or bystanders.**

**Check the grass bag frequently. If it is damaged, install a new Toro replacement bag.**

If the side-discharge chute is on the machine, remove it; refer to Removing the Side-discharge Chute (page 12) before bagging the clippings. If the bag-on-demand lever is in the recycling position, move it to the bagging position; refer to Operating the Bag-on-Demand Lever (page 11).

### ⚠ WARNING

**The blade is sharp; contacting the blade can result in serious personal injury.**

**Stop the engine and wait for all moving parts to stop before leaving the operating position.**

## Installing the Grass Bag

1. Raise and hold up the rear deflector (Figure 18).

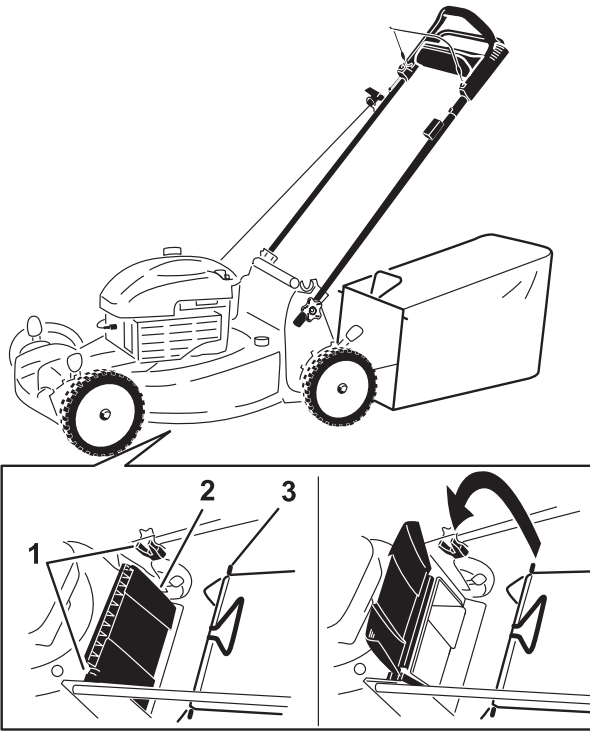


Figure 18

1. Notches
2. Rear deflector
3. Grass bag pin (2)

2. Install the grass bag, ensuring that the pins on the bag rest in the notches on the handle (Figure 18).
3. Lower the rear deflector.

## Removing the Grass Bag

To remove the bag, reverse the steps above.

## Operating the Bag-on-Demand Lever

The bag-on-demand feature allows you to either collect or recycle grass and leaf clippings while the grass bag is attached to the machine.

- For bagging the grass and leaf clippings, press the button on the bag-on-demand lever and move the lever forward until the button on the lever pops up (Figure 19).

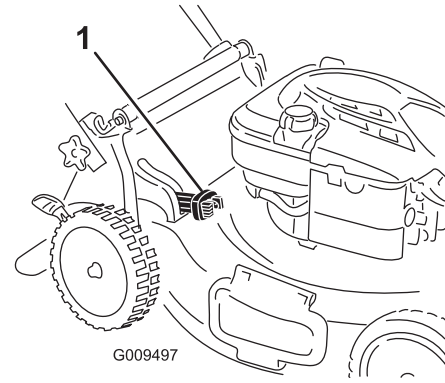


Figure 19

1. Bag-on-demand lever (in bagging position)

- For recycling the grass and leaf clippings, press the button on the lever and move the lever rearward until the button on the lever pops up.

**Important:** For proper operation, remove any grass clippings and debris from the bag-on-demand door and the surrounding opening (Figure 20) before you move the bag-on-demand lever from one position to another.

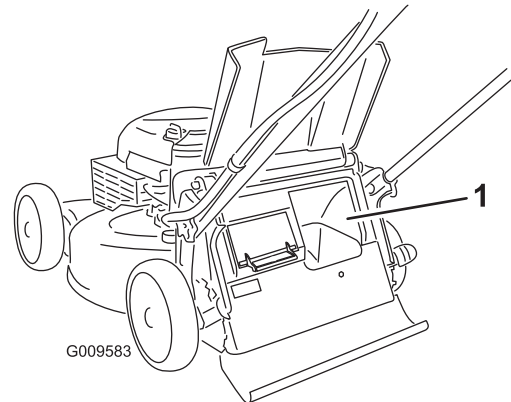


Figure 20

1. Clean here

## ⚠ WARNING

The blade is sharp; contacting the blade can result in serious personal injury. Also, an open rear discharge area could allow small stones and other similar debris to be thrown in the operator's or bystander's direction and result in serious personal injury or death to the operator or bystanders.

Stop the engine and wait for all moving parts to stop before cleaning the bag-on-demand door and the surrounding opening.

## Side-discharging the Clippings

Use side discharging for cutting very tall grass.

If the grass bag is on the machine and the bag-on-demand lever is in the bagging position, move the lever to the recycling position; refer to Operating the Bag-on-Demand Lever (page 11).

### **⚠ WARNING**

**The blade is sharp; contacting the blade can result in serious personal injury.**

**Stop the engine and wait for all moving parts to stop before leaving the operating position.**

## Installing the Side-discharge Chute

Lift up the side deflector and install the side-discharge chute (Figure 21).



**Figure 21**

## Removing the Side-discharge Chute

To remove the side-discharge chute, lift up the side deflector, remove the side-discharge chute, and lower the side-discharge deflector.

# Operating Tips

## General Mowing Tips

- Clear the area of sticks, stones, wire, branches, and other debris that the blade could hit.
- Avoid striking solid objects with the blade. Never deliberately mow over any object.
- If the machine strikes an object or starts to vibrate, immediately stop the engine, disconnect the wire from the spark plug, and examine the machine for damage.
- For best performance, install a new blade before the cutting season begins.
- Replace the blade when necessary with a Toro replacement blade.

## Cutting Grass

- Cut only about a third of the grass blade at a time. Do not cut below the 2-1/8-inch (54 mm) setting unless the grass is sparse or it is late fall when grass growth begins to slow down. Refer to Adjusting the Cutting Height (page 8).
- When cutting grass over 6 inches (15 cm) tall, mow at the highest cutting height setting and walk slower; then mow again at a lower setting for the best lawn appearance. If the grass is too long, the machine may plug and cause the engine to stall.
- Mow only dry grass or leaves. Wet grass and leaves tend to clump on the yard and can cause the machine to plug or the engine to stall.

### **⚠ WARNING**

**Wet grass or leaves can cause serious injury if you slip and contact the blade. Mow only in dry conditions.**

- Be aware of a potential fire hazard in very dry conditions, follow all local fire warnings, and keep the machine free of dry grass and leaf debris.
- Alternate the mowing direction. This helps disperse the clippings over the lawn for even fertilization.
- If the finished lawn appearance is unsatisfactory, try one or more of the following:
  - Replace the blade or have it sharpened.
  - Walk at a slower pace while mowing.
  - Raise the cutting height on your machine.
  - Cut the grass more frequently.
  - Overlap cutting swaths instead of cutting a full swath with each pass.
  - Set the cutting height on the front wheels one notch lower than the rear wheels. For example, set the front wheels at 2-1/8-inch (54 mm) and the rear wheels at 2-1/2 inches (64 mm).

## Cutting Leaves

- After cutting the lawn, ensure that half of the lawn shows through the cut leaf cover. You may need to make more than one pass over the leaves.
- If there are more than 5 inches (13 cm) of leaves on the lawn, set the front cutting height 1 or 2 notches higher than the rear cutting height.
- Slow down your mowing speed if the machine does not cut the leaves finely enough.

# Maintenance

**Note:** Determine the left and right sides of the machine from the normal operating position.

## Recommended Maintenance Schedule(s)

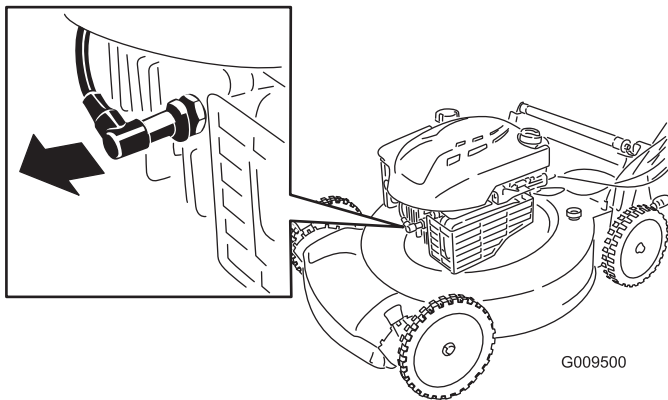
Maintenance Service Interval	Maintenance Procedure
After the first 5 hours	<ul style="list-style-type: none"> <li>• Change the engine oil.</li> </ul>
Before each use or daily	<ul style="list-style-type: none"> <li>• Check the engine oil level.</li> <li>• Ensure that the blade stops within 3 seconds after releasing the blade-control bar.</li> <li>• Check the blade-brake-clutch operation.</li> <li>• Clean grass clippings and dirt from under the machine.</li> </ul>
Every 25 hours	<ul style="list-style-type: none"> <li>• Replace the air filter; replace it more frequently in dusty operating conditions.</li> <li>• Clean the blade-brake-clutch shield.</li> </ul>
Before storage	<ul style="list-style-type: none"> <li>• Empty the fuel tank before repairs as directed and before annual storage.</li> </ul>
Yearly	<ul style="list-style-type: none"> <li>• Change the engine oil.</li> <li>• Replace the blade or have it sharpened (more frequently if the edge dulls quickly).</li> <li>• Clean the air cooling system; clean it more frequently in dusty operating conditions. Refer to your engine operator's manual.</li> <li>• Refer to your engine operator's manual for any additional yearly maintenance procedures.</li> </ul>

**Important:** Refer to your engine operator's manual for additional maintenance procedures.

**Note:** Replacement parts are available from an Authorized Service Dealer (go to [www.toro.com](http://www.toro.com) to find the nearest dealer) or at [www.shoptoro.com](http://www.shoptoro.com).

## Preparing for Maintenance

1. Stop the engine and wait for all moving parts to stop.
2. Disconnect the spark-plug wire from the spark plug (Figure 22) before performing any maintenance procedure.



**Figure 22**

hand fuel pump to remove the fuel. Always tip the machine onto its side, with the dipstick down.

3. After performing the maintenance procedure(s), connect the spark plug wire to the spark plug.

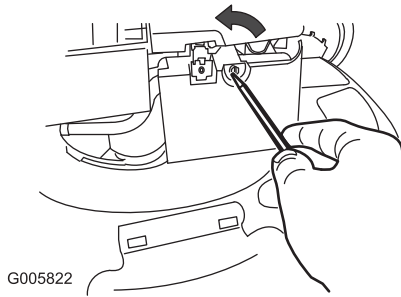
**Important:** Before tipping the machine to change the oil or replace the blade, allow the fuel tank to run dry through normal usage. If you must tip the machine prior to running out of fuel, use a



# Replacing the Air Filter

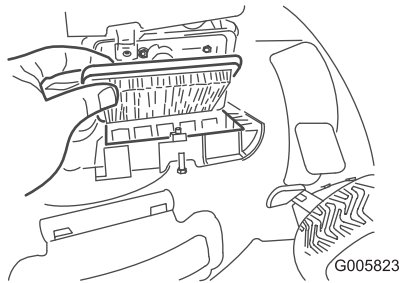
**Service Interval:** Every 25 hours

1. Use a screw driver to open the air filter cover (Figure 23).



**Figure 23**

2. Replace the air filter (Figure 24).



**Figure 24**

3. Install the cover.

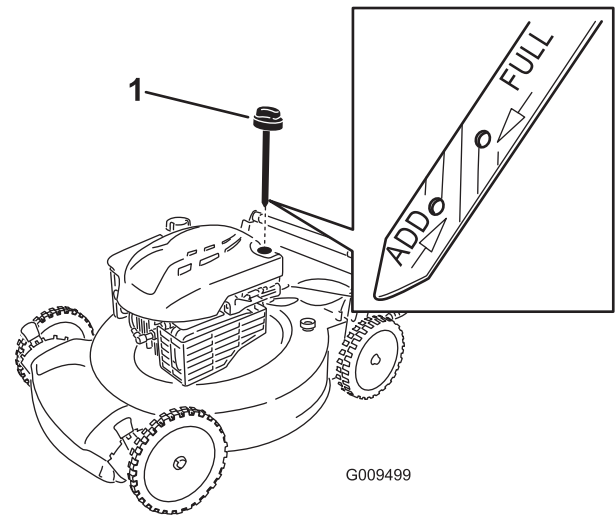
# Changing the Engine Oil

**Service Interval:** After the first 5 hours

Yearly

Run the engine a few minutes before changing the oil to warm it. Warm oil flows better and carries more contaminants.

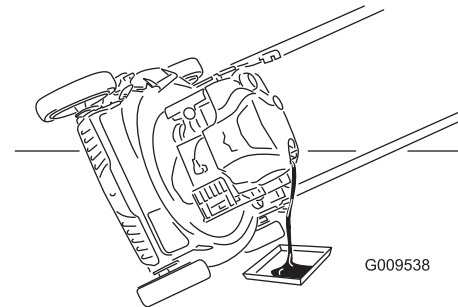
1. Move the machine to a level surface.
2. Refer to Preparing for Maintenance (page 14).
3. Remove the dipstick (Figure 25).



**Figure 25**

1. Dipstick

4. Tip the machine onto its side with the dipstick down to drain the used oil out through the oil-fill tube (Figure 26).



**Figure 26**

5. Return the machine to the operating position.
6. Pour about 3/4 of the crankcase capacity of oil in the crankcase.  
**Note:** Max. fill: 20 oz. (0.59 l), type: SAE 30 detergent oil with an API service classification of SF, SG, SH, SJ, SL, or higher.
7. Wait about 3 minutes for the oil to settle in the crankcase.
8. Wipe the dipstick clean with a clean cloth.
9. Insert the dipstick fully into the oil-fill tube, then remove the dipstick.
10. Read the oil level on the dipstick (Figure 25).
  - If the oil level is below the Add mark on the dipstick, slowly pour a small amount of oil into the oil-fill tube and repeat steps 8 through 10 until the oil level is at the **Full** mark on the dipstick.
  - If the oil level is above the Full mark on the dipstick, drain the excess oil until the oil level on the dipstick is at the Full mark.

**Important:** If the oil level in the crankcase is too low or too high and you run the engine, you may damage the engine.

11. Install the dipstick securely.
12. Recycle the used oil properly.

## Replacing the Blade

**Service Interval:** Yearly

**Important:** You will need a torque wrench to install the blade properly. If you do not have a torque wrench or are uncomfortable performing this procedure, contact an Authorized Service Dealer.

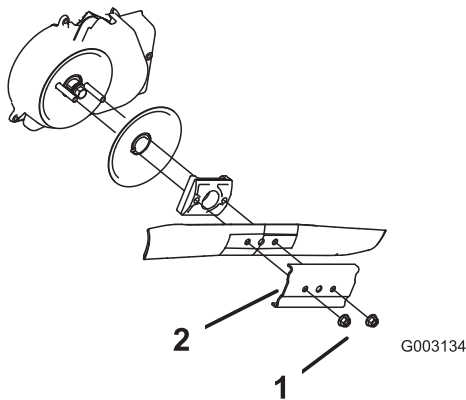
Examine the blade whenever you run out of gasoline. If the blade is damaged or cracked, replace it immediately. If the blade edge is dull or nicked, have it sharpened and balanced, or replace it.

### **⚠ WARNING**

The blade is sharp; contacting the blade can result in serious personal injury.

Wear gloves when servicing the blade.

1. Disconnect the spark-plug wire from the spark plug. Refer to Preparing for Maintenance (page 14).
2. Tip the machine onto its side with the dipstick down.
3. Remove the 2 blade nuts and the stiffener (Figure 27).



**Figure 27**

1. Blade nuts
2. Stiffener

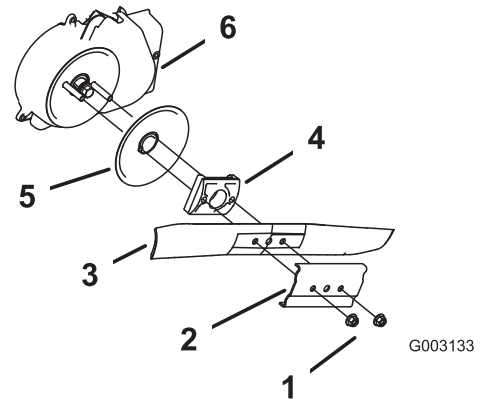
4. Remove the blade (Figure 27).
5. Install the new blade (Figure 27).
6. Install the stiffener that you previously removed.
7. Install the blade nuts and torque them to 15 to 27 ft-lb (20 to 37 N-m).

## Cleaning the Blade-brake-clutch Shield

**Service Interval:** Every 25 hours

Clean the blade-brake-clutch shield yearly to prevent the blade from stalling while you mow.

1. Disconnect the spark-plug wire from the spark plug. Refer to Preparing for Maintenance (page 14).
2. Tip the machine onto its side with the dipstick down.
3. Remove the 2 blade nuts and the stiffener (Figure 28).



**Figure 28**

1. Blade nuts
  2. Stiffener
  3. Blade
  4. Blade driver
  5. Disk
  6. Blade-brake-clutch shield
- 
4. Remove the blade (Figure 28).
  5. Remove the blade driver and disk (Figure 28).
  6. Remove the blade brake-clutch shield (Figure 28).
  7. Brush or blow out debris from the inside of the shield and around all the parts.
  8. Install the blade-brake-clutch shield that you previously removed.
  9. Install the blade driver and disk that you previously removed.
  10. Install the blade and the stiffener that you previously removed (Figure 28).
  11. Install the blade nuts and torque them to 15 to 27 ft-lb (20 to 37 N-m).

## Adjusting the Self-propel Drive Cable

Whenever you install a new self-propel cable or if the self-propel drive is out of adjustment, adjust the self-propel drive cable.

1. Loosen the cable-support nut (Figure 29).

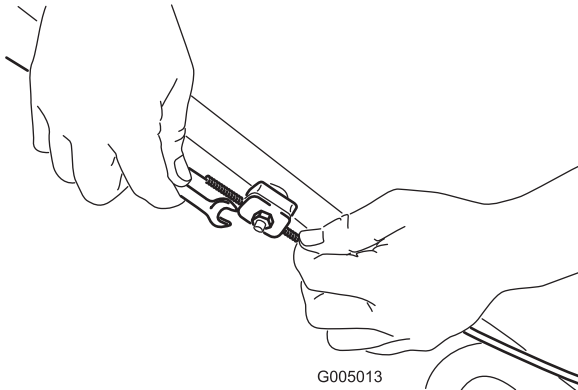


Figure 29

2. Pull down the cable jacket (toward the machine) until there is no slack in the cable (Figure 30).

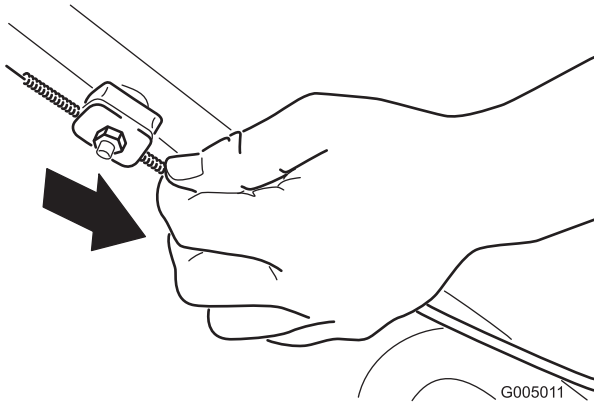


Figure 30

3. Tighten the nut on the cable support.

## Cleaning under the Machine Housing

**Service Interval:** Before each use or daily

### ⚠ WARNING

The machine may dislodge material from under the machine housing.

- Wear eye protection.
- Stay in the operating position (behind the handle) when the engine is running.
- Do not allow bystanders in the area.

For best results, clean the machine soon after you have completed mowing.

1. Lower the machine to its lowest cutting height setting. Refer to Adjusting the Cutting Height (page 8).
2. Move the machine onto a flat paved surface.
3. Wash out the area under the rear deflector where the clippings go from the housing to the grass bag.

**Note:** Wash out the area with the bag-on-demand in both the fully forward and fully rearward positions.

4. Attach a garden hose that is connected to a water supply to the washout port on the machine housing (Figure 31).

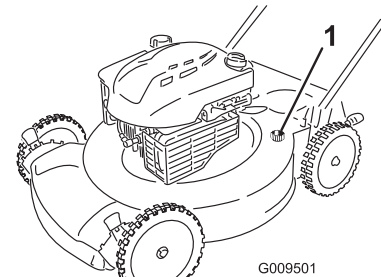


Figure 31

1. Washout port

5. Turn the water on.
6. Start the engine and run it until there are no more clippings that come out from under the machine housing.
7. Stop the engine.
8. Shut off the water and disconnect the garden hose from the machine.
9. Start the engine and run it for a few minutes to dry the housing to prevent it from rusting.
10. Allow the engine to cool before storing the machine in an enclosed area.

# Storage

Store the machine in a cool, clean, dry place.

## Preparing the Machine for Storage

### **⚠ WARNING**

Gasoline vapors can explode.

- Do not store gasoline more than 30 days.
  - Do not store the machine in an enclosure near an open flame.
  - Allow the engine to cool before storing it.
1. On the last refueling of the year, add fuel stabilizer to the fuel as directed by the engine manufacturer.
  2. Dispose of any unused fuel properly. Recycle it according to local codes, or use it in your automobile.  
**Note:** Old fuel in the fuel tank is the leading cause of hard starting. Do not store fuel without stabilizer more than 30 days, and do not store stabilized fuel more than 90 days.
  3. Run the machine until the engine stops from running out of fuel.
  4. Start the engine again.
  5. Allow the engine to run until it stops. When you can no longer start the engine, it is sufficiently dry.
  6. Disconnect the wire from the spark plug.
  7. Remove the spark plug, add 1 oz. (30 ml) of oil through the spark plug hole, and pull the starter rope slowly several times to distribute oil throughout the cylinder to prevent cylinder corrosion during the off-season.
  8. Loosely install the spark plug.
  9. Tighten all nuts, bolts, and screws.

## Folding the Handle

### **⚠ WARNING**

Folding or unfolding the handle improperly can damage the cables, causing an unsafe operating condition.

- Do not damage the cables when folding or unfolding the handle.
  - If a cable is damaged, contact an Authorized Service Dealer.
1. Loosen the handle knobs until you can move the upper handle freely.

2. Fold the upper handle forward as shown in Figure 32.

**Important:** Route the cables to the outside of the handle knobs as you fold the handle.

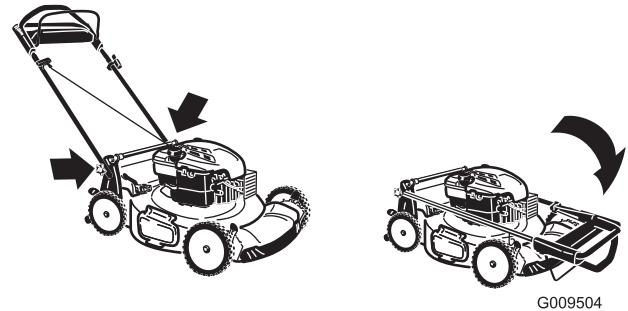


Figure 32

3. To unfold the handle, reverse the steps above.

## Removing the Machine from Storage

1. Check and tighten all fasteners.
2. Remove the spark plug and spin the engine rapidly using the starter to blow excess oil from the cylinder.
3. Install the spark plug and tighten it with a torque wrench to 15 ft-lb (20 N-m).
4. Perform any needed maintenance procedures; refer to Maintenance (page 14).
5. Check the engine oil level; refer to Checking the Engine Oil Level (page 8).
6. Fuel the fuel tank with fresh gasoline; refer to Filling the Fuel Tank (page 7).
7. Connect the wire to the spark plug.

**Notes:**



**The Toro Total Coverage Guarantee**  
A 2-Year Full Warranty (45 Day Limited Warranty for Commercial Use)

22 in Recycler®  
20 in Mulcher/Bagger  
Walk Power Mowers

**The Toro GTS Starting Guarantee**  
A 3-Year Full Warranty (Not Applicable for Commercial Use)

**Conditions and Products Covered**

The Toro Company and its affiliate, Toro Warranty Company, pursuant to an agreement between them, jointly promise to repair the Toro Product listed below if used for residential purposes\*; if it is defective in materials or workmanship or if it stops functioning due to the failure of a component; or if the Toro GTS (Guaranteed to Start) engine will not start on the first or second pull, provided the routine maintenance required in the *Operator's Manual* have been performed.

This warranty covers the cost of parts and labor, but you must pay transportation costs.

The following time periods apply from the date of purchase:

Products	Warranty Period
22 in Recycler and 20 in Mulcher/Bagger and Attachments	2 - year full warranty
GTS (Guaranteed to Start) Engine	3 - year full warranty
Battery	1 - year full warranty

**Limited Warranty for Commercial Use\***

Gas-powered Toro Products used for commercial, institutional, or rental use, are warranted for 45 days against defects in materials or workmanship. Components failing due to normal wear are not covered by this warranty.

The Toro GTS (Guaranteed to Start) Starting Guarantee does not apply when the product is used commercially\*.

**Instructions for Obtaining Warranty Service**

If you think that your Toro Product contains a defect in materials or workmanship, or if a normal, able-bodied adult can no longer start your product's engine in one or two pulls, follow this procedure:

1. Contact any Authorized Toro Service Dealer to arrange service at their dealership. To locate a dealer convenient to you, refer to the *Yellow Pages* of your telephone directory (look under "Lawn Mowers") or access our web site at [www.Toro.com](http://www.Toro.com). You may also call the numbers listed in item #3 to use the 24-hour Toro Dealer locator system.
2. Bring the product and your proof of purchase (sales receipt) to the Service Dealer. The dealer will diagnose the problem and determine if it is covered under warranty.
3. If for any reason you are dissatisfied with the Service Dealer's analysis or with the assistance provided, contact us at:

Customer Care Department, RLC Division  
The Toro Company  
8111 Lyndale Avenue South  
Bloomington, MN 55420-1196  
Toll free at 866-214-9807 (U.S. customers)  
Toll free at 866-214-9808 (Canadian customers)

**Owner Responsibilities**

You must maintain your Toro Product by following the maintenance procedures described in the *Operator's Manual*. Such routine maintenance, whether performed by a dealer or by you, is at your expense.

**Items and Conditions Not Covered**

There is no other express warranty except for special emission system coverage and engine warranty coverage on some products. This express warranty does not cover the following:

- Cost of regular maintenance service or parts, such as filters, fuel, lubricants, oil changes, spark plugs, air filters blade sharpening or worn blades, cable/linkage adjustments, or brake and clutch adjustments
- Any product or part which has been altered or misused and requires replacement or repair due to accidents or lack of proper maintenance
- Repairs necessary due to failure to use fresh fuel (less than one month old), or failure to properly prepare the unit prior to any period of non-use over one month
- Pickup and delivery charges
- Operational misuse, neglect, or accidents
- Repairs or attempted repairs by anyone other than an Authorized Toro Service Dealer
- Repairs or adjustments to correct starting difficulties due to the following:
  - failure to follow proper maintenance procedures
  - rotary mower blade striking an object
  - contaminants in the fuel system
  - improper fuel (consult your *Operator's Manual* if in doubt)
  - failure to drain the fuel system prior to any period of non-use over one month
- Special operational conditions where starting may require more than two pulls:
  - first time starts after extended period of non-use over three months or seasonal storage
  - cool temperature starts such as those found in early spring and late autumn
  - improper starting procedures - if you are having difficulty starting your unit, please check the *Operator's Manual* to ensure that you are using the correct starting procedures. This can save an unnecessary visit to an Authorized Toro Service Dealer.

**General Conditions**

All repairs covered by these warranties must be performed by an Authorized Toro Service Dealer using Toro-approved replacement parts. Repair by an Authorized Toro Service Dealer is your sole remedy under this warranty.

**Neither The Toro Company nor Toro Warranty Company is liable for indirect, incidental, or consequential damages in connection with the use of the Toro Products covered by these warranties, including any cost or expense of providing substitute equipment or service during reasonable periods of malfunction or non-use pending completion of repairs under these warranties.**

Some states do not allow exclusions of incidental or consequential damages, so the above exclusions may not apply to you.

This warranty gives you specific legal rights, and you may also have other rights which vary from state to state.

**Countries Other than the United States or Canada**

Customers who have purchased Toro products exported from the United States or Canada should contact their Toro Distributor (Dealer) to obtain guarantee policies for your country, province, or state. If for any reason you are dissatisfied with your Distributor's service or have difficulty obtaining guarantee information, contact the Toro importer. If all other remedies fail, you may contact us at Toro Warranty Company.

\*Residential purposes means use of the product on the same lot as your home. Use at more than one location, or institutional or rental use, is considered commercial use, and the commercial use warranty would apply.





# Cortacésped Recycler® 56 cm (22 pulgadas)

Nº de modelo 20333—Nº de serie 313000001 y superiores

Nº de modelo 20333C—Nº de serie 313000001 y superiores

## Manual del operador

Puede adquirir piezas de repuesto en un Servicio Técnico Autorizado o en [www.shoptoro.com](http://www.shoptoro.com).

## Introducción

Este cortacésped dirigido de cuchillas rotativas está diseñado para ser usado por usuarios domésticos. Está diseñado principalmente para segar césped bien mantenido en zonas verdes residenciales. No está diseñado para cortar maleza o para aplicaciones agrícolas.

Lea este manual detenidamente para aprender a utilizar y mantener correctamente su producto, y para evitar lesiones y daños al producto. Usted es el responsable de operar el producto de forma correcta y segura.

Puede dirigirse directamente a Toro: [www.Toro.com](http://www.Toro.com) para buscar información sobre productos y accesorios, para localizar un distribuidor o para registrar su producto.

Cuando necesite asistencia técnica, piezas genuinas Toro o información adicional, póngase en contacto con un Servicio Técnico Autorizado o con Asistencia al Cliente Toro, y tenga a mano los números de modelo y serie de su producto. Figura 1 identifica la ubicación de los números de modelo y serie en el producto.

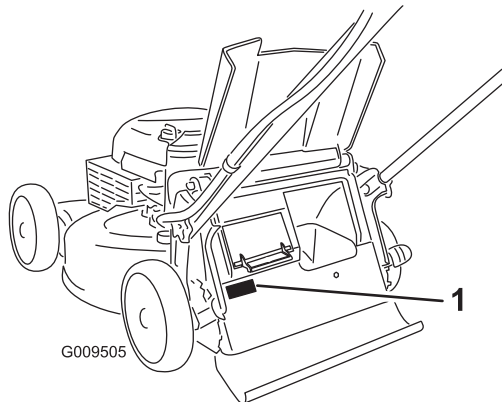


Figura 1

1. Placa con los números de modelo y de serie

Anote a continuación los números de modelo y de serie de su producto:

Nº de modelo _____
Nº de serie _____

Este manual identifica peligros potenciales y contiene mensajes de seguridad identificados por el símbolo de alerta de seguridad (Figura 2), que señala un peligro que puede causar lesiones graves o la muerte si usted no sigue las precauciones recomendadas.



Figura 2

1. Símbolo de alerta de seguridad

Este manual utiliza 2 palabras para resaltar información.

**Importante** llama la atención sobre información mecánica especial, y **Nota** resalta información general que merece una atención especial.

## ADVERTENCIA

### CALIFORNIA

#### Advertencia de la Propuesta 65

Este producto contiene una o más sustancias químicas que el Estado de California considera causantes de cáncer, defectos congénitos u otros trastornos del sistema reproductor.

Los gases de escape de este producto contienen sustancias químicas que en estado de California considera causantes de cáncer, defectos congénitos y otros trastornos del sistema reproductor.

**Importante:** Este motor no está equipado con un silenciador con parachispas. Es una infracción de la legislación de California (California Public Resource Code Section 4442) la utilización o la operación del motor en cualquier terreno de bosque, monte o terreno cubierto de hierba. Otros estados o zonas federales pueden tener leyes similares.

Este sistema de encendido por chispa cumple la norma canadiense ICES-002.

El *Manual del propietario del motor* adjunto ofrece información sobre las normas de la Agencia de



protección ambiental de EE.UU. (U.S. Environmental Protection Agency/EPA) y de la Norma de control de emisiones de California (California Emission Control Regulation) sobre sistemas de emisiones, mantenimiento y garantía. Puede solicitarse un manual nuevo al fabricante del motor.

En los casos en que se indica la potencia en cv del motor, la potencia bruta del motor fue calculada en el laboratorio por el fabricante del motor, con arreglo a lo estipulado en SAEJ1940. Debido a que el motor está configurado para cumplir los requisitos de seguridad, emisiones y operación, su potencia real en este tipo de cortacésped será significativamente menor.

## Contenido

Introducción .....	1
Operación general .....	2
Operación en pendientes .....	3
Niños .....	3
Mantenimiento .....	3
Pegatinas de seguridad e instrucciones .....	5
Montaje .....	6
1 Instalación de la barra de control de las cuchillas .....	6
2 Instalación del agarradero .....	6
3 Instalación de la cuerda de arranque en la guía de la cuerda .....	6
4 Llenado del cárter de aceite .....	7
El producto .....	8
Operación .....	8
Cómo llenar el depósito de combustible .....	8
Verificación del nivel de aceite del motor .....	9
Ajuste de la altura de corte .....	10
Arranque del motor .....	10
Uso de la transmisión autopropulsada .....	10
Cómo parar el motor .....	11
Cómo engranar la cuchilla .....	11
Cómo desengranar la cuchilla .....	11
Comprobación de la operación del embrague del freno de la cuchilla .....	11
Reciclado de los recortes .....	12
Ensamblado de los recortes .....	12
Descarga lateral de los recortes .....	14
Consejos de operación .....	15
Mantenimiento .....	16
Calendario recomendado de mantenimiento .....	16
Preparación para el mantenimiento .....	16
Cambio del filtro de aire .....	17
Cómo cambiar el aceite del motor .....	17
Cómo cambiar la cuchilla .....	18
Limpieza del protector del embrague del freno de la cuchilla .....	18
Ajuste del cable de la transmisión autopropulsada .....	19
Limpie debajo de la carcasa de la máquina .....	19
Almacenamiento .....	20

Preparación de la máquina para el almacenamiento .....	20
Cómo plegar el manillar .....	20
Después del almacenamiento .....	21

## Seguridad

Este cortacésped cumple o supera los requisitos de seguridad de cuchillas CPSC para cortacéspedes giratorios dirigidos y las especificaciones B71.1 del Instituto Norteamericano de Estándares Nacionales en vigor en el momento de fabricación.

**Lea y comprenda el contenido de este manual antes de arrancar el motor.**

El símbolo de alerta de seguridad (Figura 2) se utiliza para advertirle sobre potenciales riesgos de lesiones personales. Observe siempre todos los mensajes de seguridad que siguen a este símbolo con el fin de evitar posibles lesiones o la muerte. El uso o mantenimiento incorrectos de este cortacésped pueden causar lesiones o la muerte. Para reducir esta posibilidad, cumpla las siguientes instrucciones de seguridad.

Las siguientes instrucciones han sido adaptadas de la norma ANSI/OPEIB71.1-2003.

**Esta máquina de corte puede amputar manos y pies y lanzar objetos al aire. El no observar las siguientes instrucciones de seguridad puede dar lugar a lesiones corporales graves e incluso la muerte.**

### Operación general

- Lea, comprenda y siga todas las instrucciones del/de los manual(es) y las colocadas en la máquina antes de arrancar ésta.
- No coloque las manos o los pies cerca de la máquina o debajo de ésta. Manténgase alejado del conducto de descarga en todo momento.
- Sólo permita que utilicen esta máquina adultos responsables y familiarizados con las instrucciones.
- Despeje la zona de objetos tales como piedras, alambres, juguetes, etc., que podrían ser arrojados por la cuchilla. Permanezca detrás del manillar cuando el motor está en marcha.
- Asegúrese de que no haya otras personas en la zona antes de usar la máquina. Pare la máquina si alguien entra en la zona.
- No utilice la máquina si usted está descalzo o lleva sandalias. Lleve siempre calzado fuerte.
- No tire hacia atrás de la máquina a menos que sea absolutamente necesario. Antes de desplazarse hacia atrás y mientras lo hace, mire siempre hacia abajo y detrás de usted.
- No dirija nunca el material descargado hacia nadie. Evite descargar material contra una pared u otra obstrucción. El material podría rebotar hacia el operador. Pare la cuchilla al cruzar superficies de grava.

- No haga funcionar la máquina si no están colocados y funcionando el recogedor completo, el protector de descarga, el protector trasero u otros dispositivos de protección.
- No deje nunca desatendida la máquina si está funcionando.
- Pare el motor y espere hasta que la cuchilla se detenga completamente antes de limpiar la máquina, retirar el recogedor o desatascar el protector de descarga.
- Utilice la máquina solamente con luz natural o con una buena iluminación artificial.
- No utilice la máquina bajo la influencia de drogas o alcohol.
- No utilice nunca el cortacésped en hierba mojada. Asegúrese de pisar firmemente; camine; no corra nunca.
- Desengrane el sistema de transmisión, si la máquina está equipada con uno, antes de arrancar el motor.
- Si la máquina comienza a vibrar de manera anormal, pare el motor y compruebe la causa inmediatamente. La vibración suele ser un aviso de problemas.
- Siempre utilice protección ocular al usar la máquina.
- Consulte las instrucciones del fabricante respecto a la instalación y operación correctas de los accesorios. Utilice solamente accesorios homologados por el fabricante.

## Operación en pendientes

Las pendientes son un factor de primera importancia relacionado con accidentes, especialmente resbalones y caídas, que pueden causar lesiones graves. En todas las pendientes y cuestas se necesita tener un cuidado especial. Si usted no se siente con confianza en una pendiente, no la siegue.

- Siegue de través las cuestas y pendientes, nunca hacia arriba o hacia abajo. Extreme las precauciones al cambiar de dirección en cuestas o pendientes.
- Esté alerta a agujeros, surcos, montículos, rocas u otros objetos ocultos. Los terrenos desiguales pueden causar caídas y resbalones. La hierba alta puede ocultar obstáculos.
- No siegue la hierba mojada o en pendientes excesivamente empinadas. Si no pisa firme, puede resbalar y caer.
- No siegue cerca de terraplenes, fosas o taludes. Usted podría perder el equilibrio o resbalar.

## Niños

Pueden ocurrir accidentes trágicos si el operador no está alerta a la presencia de niños. A menudo los niños se sienten atraídos por la máquina y la actividad de segar. **No suponga nunca** que los niños vayan a permanecer en el último lugar en que los vio.

- Mantenga a los niños alejados de la zona de siega y bajo la atenta mirada de un adulto responsable que no sea el operador.
- Esté alerta y pare el cortacésped si entran niños en la zona.

- Nunca permita a los niños utilizar la máquina.
- Extreme la precaución al acercarse a esquinas ciegas, arbustos, árboles u otros objetos que puedan impedir que usted vea un niño.

## Mantenimiento

### Manejo seguro de la gasolina

**Para evitar lesiones personales o daños materiales, extreme las precauciones al manejar la gasolina. La gasolina es extremadamente inflamable y los vapores son explosivos.**

- Apague cualquier cigarrillo, cigarro, pipa u otra fuente de ignición.
- Utilice solamente un recipiente de gasolina homologado.
- No retire nunca el tapón de combustible ni añada combustible con el motor en marcha. Deje que se enfríe el motor antes de repostar combustible.
- No reposte nunca la máquina en un recinto cerrado.
- No guarde nunca la máquina o un recipiente de combustible cerca de una llama desnuda, chispa o llama piloto, por ejemplo en un calentador de agua u otro electrodoméstico.
- No llene nunca los recipientes dentro de un vehículo o sobre la plataforma de un camión o remolque con forro de plástico. Coloque siempre los recipientes de gasolina en el suelo, lejos del vehículo, antes de llenarlos.
- Retire un equipo con motor de gasolina del camión o del remolque y repóstele en el suelo. Si esto no es posible, reposte el equipo desde un recipiente portátil, en vez de usar un surtidor o boquilla dosificadora de gasolina.
- Mantenga la boquilla en contacto con el borde del depósito de combustible o el orificio del recipiente en todo momento hasta que termine de repostar. No utilice dispositivos que mantengan abierta la boquilla.
- Si se derrama combustible sobre su ropa, cámbiese de ropa inmediatamente.
- Nunca llene demasiado el depósito de combustible. Vuelva a colocar el tapón de gasolina y apriételo firmemente.

### **⚠ ADVERTENCIA**

**Los gases de escape del motor contienen monóxido de carbono, que es un veneno inodoro que puede matarle.**

**No haga funcionar el motor dentro de un edificio o en un lugar cerrado.**

### Mantenimiento general

- No haga funcionar nunca la máquina en un lugar cerrado.

- Mantenga apretados todos los pernos y tuercas para asegurarse de que el equipo está en condiciones de funcionamiento seguras.
- No manipule nunca los dispositivos de seguridad. Compruebe regularmente que funcionan correctamente.
- Mantenga la máquina libre de acumulaciones de hierba, hojas y otros residuos. Limpie cualquier derrame de aceite o combustible y retire cualquier residuo empapado en combustible. Deje que se enfríe la máquina antes de almacenarla.
- Si golpea un objeto extraño, pare e inspeccione la máquina. Si es necesario, repárela antes de arrancar de nuevo.
- Nunca haga ajustes o reparaciones con el motor en marcha. Desconecte el cable de la bujía y haga masa con él contra el motor para evitar un arranque accidental.
- Compruebe frecuentemente los componentes del recogedor y el protector de descarga y sustitúyalos por piezas recomendadas por el fabricante cuando sea necesario.
- Las cuchillas del cortacésped están muy afiladas. Envuelva la cuchilla o lleve guantes, y extreme las precauciones al manejar las cuchillas.
- No cambie los ajustes del regulador del motor ni haga funcionar el motor a una velocidad excesiva.
- Revise o sustituya las pegatinas de seguridad e instrucciones cuando sea necesario.

# Pegatinas de seguridad e instrucciones

**Importante:** Hay pegatinas de seguridad e instrucciones colocadas cerca de zonas de potencial peligro. Sustituya cualquier pegatina dañada.



**Marca del fabricante**

1. Indica que la cuchilla ha sido identificada como pieza del fabricante original de la máquina.



**94-8072**



**108-8117**



**112-8867**

1. Bloquear
2. Desbloquear



**114-7982**

1. Advertencia – lea el *Manual del operador*.
2. Peligro de objetos arrojados – mantenga a otras personas a una distancia prudencial de la máquina.
3. Peligro de corte/desmembramiento de mano o pie, cuchilla del cortacésped – retire la llave de contacto y lea las instrucciones antes de realizar cualquier tarea de ajuste o mantenimiento.
4. Peligro de corte/desmembramiento de mano o pie por la cuchilla del cortacésped – no se acerque a las piezas en movimiento.
5. Peligro de corte/desmembramiento de mano o pie, cuchilla del cortacésped – no siegue las pendientes hacia arriba/abajo; siegue las pendientes de través; pare el motor antes de abandonar el puesto del operador, y mire hacia atrás mientras conduce en marcha atrás.



**117-2718**

# Montaje

**Importante:** Retire y deseche la hoja protectora de plástico que cubre el motor.

# 1

## Instalación de la barra de control de las cuchillas

No se necesitan piezas

### Procedimiento

Instale la barra de control de las cuchillas en el manillar superior (Figura 3).

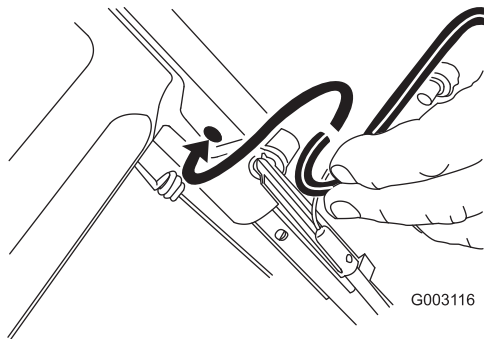


Figura 3

# 2

## Instalación del agarradero

No se necesitan piezas

### Procedimiento

#### ⚠ ADVERTENCIA

Si pliega o despliega el manillar de forma incorrecta, pueden dañarse los cables, creando unas condiciones de operación inseguras.

- No dañe los cables al plegar o desplegar el manillar.
- Si un cable está dañado, póngase en contacto con el Servicio Técnico Autorizado.

1. Retire los pomos del manillar de la carcasa de la máquina (Figura 4).

**Importante:** Asegúrese de que los cables quedan por fuera de los pomos del manillar al instalar el manillar.

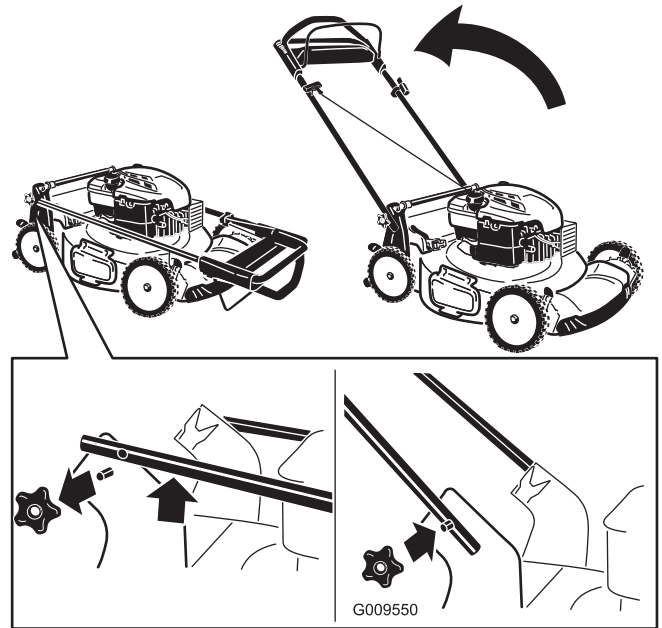


Figura 4

2. Mueva el manillar a la posición de operación.
3. Instale y apriete los pomos del manillar que retiró en el paso 1.

# 3

## Instalación de la cuerda de arranque en la guía de la cuerda

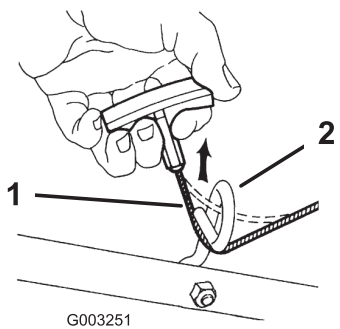
No se necesitan piezas

### Procedimiento

**Importante:** Para arrancar el motor de forma segura y fácil cada vez que utilice la máquina, instale la cuerda de arranque en la guía de la cuerda.

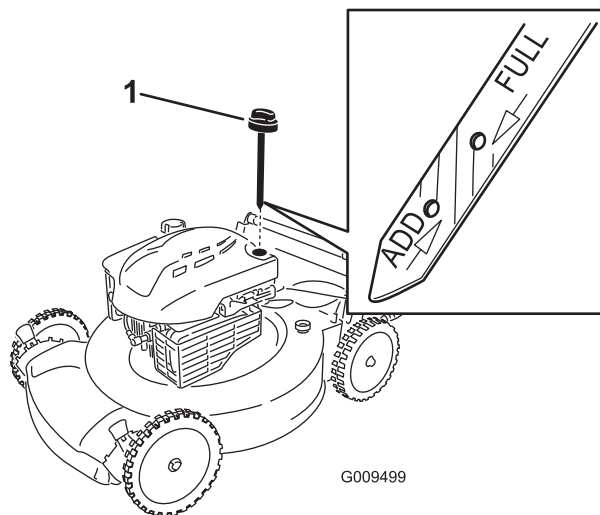
Pase la cuerda de arranque a través de la guía del manillar (Figura 5).





**Figura 5**

1. Cuerda de arranque      2. Guía de la cuerda



**Figura 6**

1. Varilla
3. Limpie la varilla con un paño limpio.
4. Inserte la varilla a fondo en el tubo de llenado de aceite, luego retírela.
5. Observe en la varilla el nivel de aceite (Figura 6).
  - Si el nivel de aceite está por debajo de la marca Añadir de la varilla, vierta lentamente una pequeña cantidad de aceite en el tubo de llenado, espere 3 minutos, y repita los pasos 3 a 5 hasta que el nivel de aceite llegue a la marca Lleno de la varilla.
  - Si el nivel de aceite está por encima de la marca Lleno de la varilla, drene el exceso de aceite hasta que el aceite llegue a la marca Lleno de la varilla. Consulte Cómo cambiar el aceite del motor (página 17).
6. Instale la varilla firmemente.

**Importante:** Si el nivel de aceite del motor es demasiado bajo o demasiado alto y usted arranca el motor, puede dañar el motor.

**Importante:** Cambie el aceite del motor después de las primeras 5 horas de operación, y después cada año. Consulte Cómo cambiar el aceite del motor (página 17).

# 4

## Llenado del cárter de aceite

No se necesitan piezas

### Procedimiento

**Importante:** La máquina se suministra sin aceite en el motor, pero incluye una botella de aceite. Antes de arrancar el motor, llene el motor de aceite.

Capacidad máxima: 0.59 l (20 onzas), tipo: SAE 30, aceite detergente con clasificación de servicio API SF, SG, SH, SJ, SL o superior.

**Nota:** Cuando el cárter esté vacío, vierta aproximadamente tres cuartas partes de la capacidad total de aceite en el cárter, y luego haga lo siguiente:

1. Lleve la máquina a una superficie nivelada.
2. Retire la varilla girando el tapón en el sentido contrario a las agujas del reloj y tirando del mismo (Figura 6).

# El producto

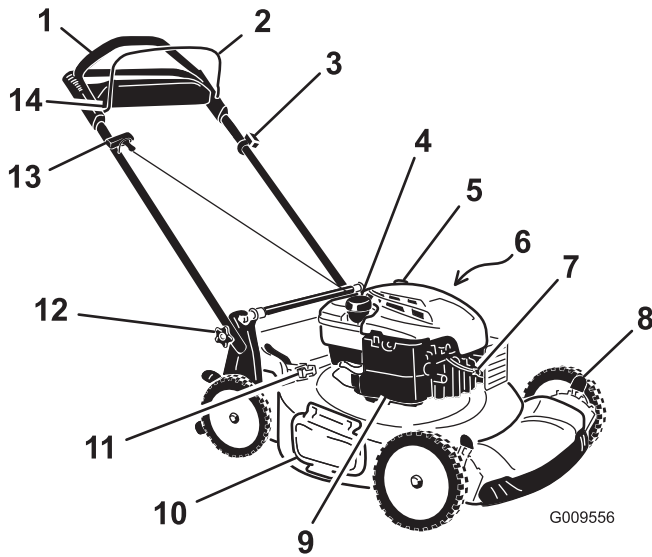


Figura 7

- |  |                                    |
|--|------------------------------------|
| 1. Manillar                              | 8. Palanca de altura de corte (4)  |
| 2. Barra de control de las cuchillas     | 9. Bujía                           |
| 3. Interruptor de encendido              | 10. Deflector de descarga lateral  |
| 4. Varilla/orificio de llenado de aceite | 11. Palanca de ensacado a demanda  |
| 5. Tapón del depósito de combustible     | 12. Pomo del manillar (2)          |
| 6. Conector de lavado (no ilustrado)     | 13. Arrancador                     |
| 7. Filtro de aire                        | 14. Bloqueo de la barra de control |

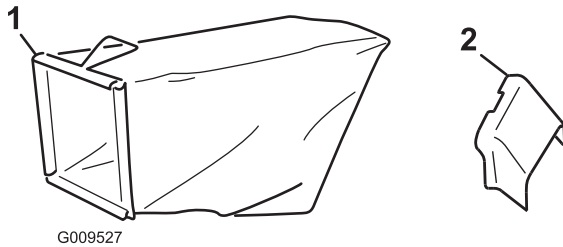


Figura 8

- |                      |                                 |
|----------------------|---------------------------------|
| 1. Bolsa de recogida | 2. Conducto de descarga lateral |
|----------------------|---------------------------------|

# Operación

## Cómo llenar el depósito de combustible

### ⚠ PELIGRO

La gasolina es altamente inflamable y explosiva. Un incendio o una explosión provocado(a) por la gasolina puede causarle quemaduras a usted y a otras personas.

- Para evitar que una carga estática incendie la gasolina, coloque el recipiente y/o la máquina directamente sobre el suelo antes de repostar, no en un vehículo o sobre otro objeto.
- Llene el depósito en el exterior cuando el motor esté frío. Limpie cualquier derrame.
- No maneje gasolina si está fumando, ni cerca de una llama desnuda o chispas.
- Almacene la gasolina en un recipiente homologado y manténgala fuera del alcance de los niños.

Llene el depósito de combustible con gasolina nueva sin plomo (de 87 octanos o más) adquirida en una gasolinera de marca reconocida (Figura 9).

**Nota:** Nunca use metanol, gasolina que contenga metanol o gasolina con más del 10% de etanol porque se podrían producir daños en el sistema de combustible. No mezcle aceite con la gasolina.

**Importante:** Para reducir los problemas de arranque, añada estabilizador de combustible al combustible durante toda la temporada, mezclándolo con gasolina comprado hace menos de treinta días.

# Verificación del nivel de aceite del motor

**Intervalo de mantenimiento:** Cada vez que se utilice o diariamente

**Nota:** Capacidad máxima: 0.59 l (20 onzas), tipo: SAE 30, aceite detergente con clasificación de servicio API SF, SG, SH, SJ, SL o superior.

1. Lleve la máquina a una superficie nivelada.
2. Retire la varilla (Figura 10).

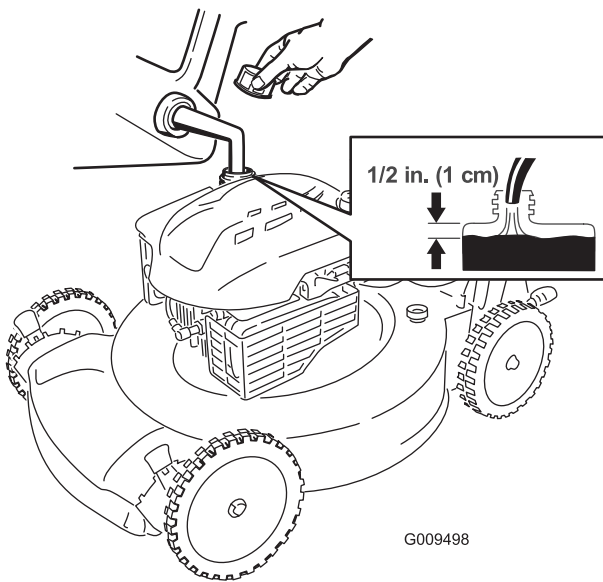


Figura 9

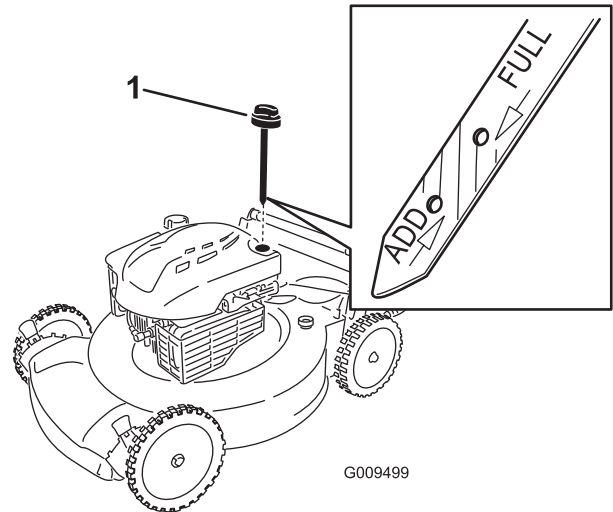


Figura 10

1. Varilla
- 
3. Limpie la varilla con un paño limpio.
  4. Inserte la varilla a fondo en el tubo de llenado de aceite, luego retírela.
  5. Observe en la varilla el nivel de aceite (Figura 10).
    - Si el nivel de aceite está por debajo de la marca Añadir de la varilla, vierta una pequeña cantidad de aceite lentamente en el tubo de llenado, espere 3 minutos, y repita los pasos 3 a 5 hasta que el nivel llegue a la marca **Lleno** de la varilla (Figura 10).
    - Si el nivel de aceite está por encima de la marca Lleno de la varilla, drene el exceso de aceite hasta que el aceite llegue a la marca Lleno de la varilla. Consulte Cómo cambiar el aceite del motor (página 17).
  6. Instale la varilla firmemente.

## Ajuste de la altura de corte

### ⚠ ADVERTENCIA

Al ajustar la altura de corte, usted podría tocar la cuchilla en movimiento, lo que podría causarle graves lesiones.

- Pare el motor y espere a que se detengan todas las piezas en movimiento.
- No ponga los dedos debajo de la carcasa al ajustar la altura de corte.

### ⚠ CUIDADO

Si el motor ha estado en marcha, el silenciador estará muy caliente y puede causarle quemaduras graves. Manténgase alejado del silenciador si éste está caliente.

Ajuste la altura de corte según desee. Ajuste las ruedas delanteras a la misma altura que las traseras (Figura 11).

**Nota:** Para elevar la máquina, mueva las palancas de altura de corte delanteras hacia atrás y las palancas de altura de corte traseras hacia adelante. Para bajar la máquina, mueva las palancas de altura de corte delanteras hacia adelante y las traseras hacia atrás.

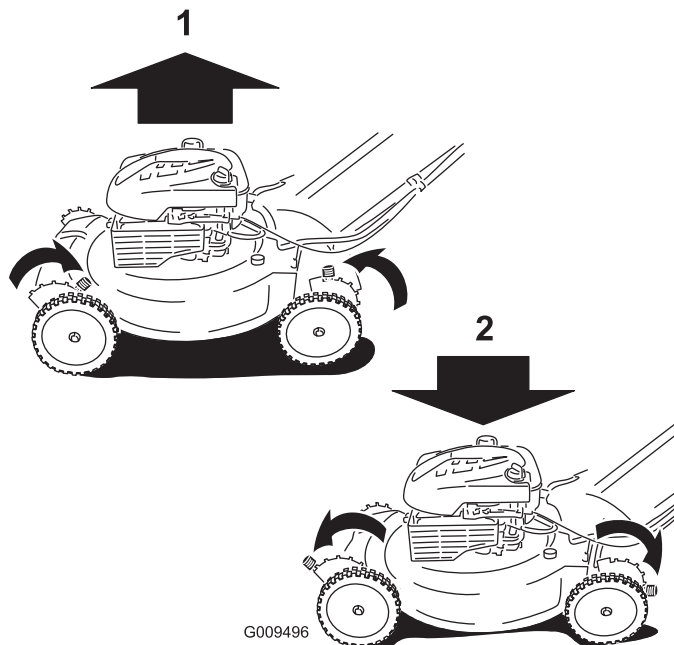


Figura 11

1. Elevar la máquina

2. Bajar la máquina

**Nota:** Los ajustes de altura de corte son: 1 pulg. (25 mm); 1-3/8 pulg. (35 mm); 1-3/4 pulg. (44 mm); 2-1/8 pulg. (54 mm); 2-1/2 pulg. (64 mm); 2-7/8 pulg. (73 mm); 3-1/4 pulg. (83 mm); 3-5/8 pulg. (92 mm); y 4 pulg. (102 mm).

## Arranque del motor

**Nota:** Puede arrancar el motor desde la posición de operación (Figura 12) o en el motor (con la cuerda de arranque sacada de la guía de la cuerda).

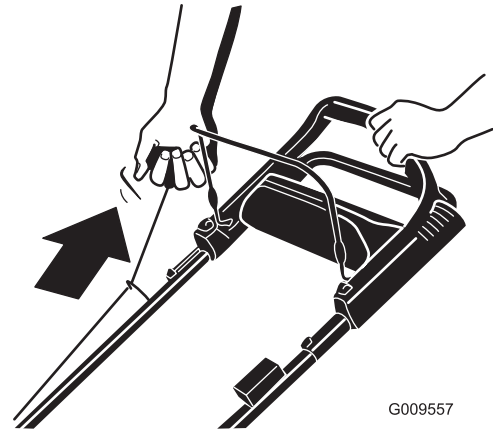


Figura 12

Tire suavemente del arrancador hasta que note resistencia, luego tire con fuerza. Deje que la cuerda vuelva lentamente al manillar.

**Nota:** Si la máquina no arranca después de varios intentos, póngase en contacto con el Servicio Técnico Autorizado.

## Uso de la transmisión autopropulsada

Para activar el sistema de autopropulsión, simplemente camine con las manos sobre el manillar superior y los codos junto al cuerpo, y la máquina mantendrá automáticamente su misma velocidad (Figura 13).

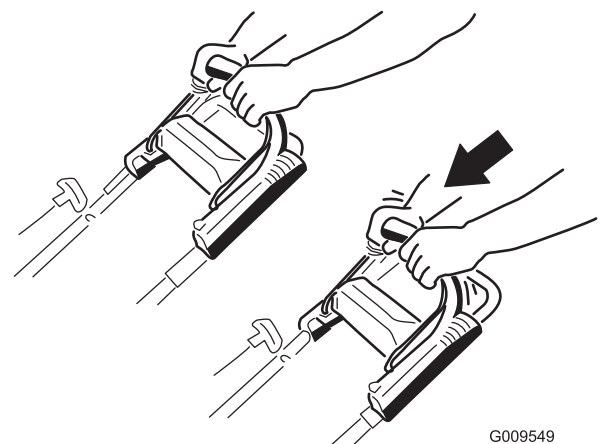


Figura 13

**Nota:** Si la máquina no rueda libremente hacia atrás después de usar la autopropulsión, deténgase, deje las manos en su sitio, y deje que la máquina ruede unos cuantos centímetros

(pulgadas) hacia adelante para desengranar la transmisión de las ruedas. También puede poner la mano sobre el manillar metálico situado justo debajo de la barra de autopropulsión y empujar la máquina hacia adelante unos 5 cm (2 pulgadas). Si la máquina no rueda fácilmente hacia atrás, póngase en contacto con el Servicio Técnico Autorizado.

## Cómo parar el motor

Para parar el motor, mantenga pulsado el interruptor de encendido (Figura 7) hasta que el motor se pare.

**Importante:** Cuando suelta la barra de control de la cuchilla, la cuchilla debe detenerse en 3 segundos o menos. Si no se detiene correctamente, deje de usar la máquina inmediatamente y póngase en contacto con el Servicio Técnico Autorizado.

## Cómo engranar la cuchilla

Cuando usted arranca el motor, la cuchilla no gira. Es necesario engranar la cuchilla para segar.

1. Tire hacia atrás del mecanismo de bloqueo de la barra de control (Figura 14).

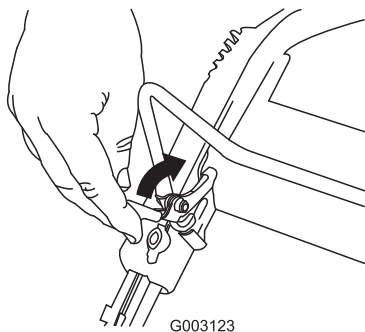


Figura 14

2. Tire de la barra de control de la cuchilla hasta el manillar (Figura 15).

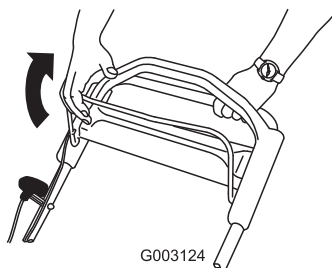


Figura 15

3. Sujete la barra de control de las cuchillas contra el manillar (Figura 16).

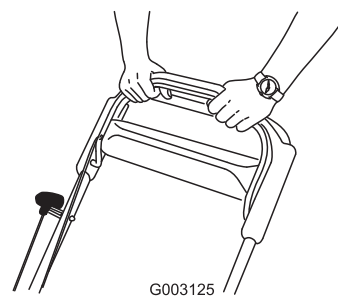


Figura 16

## Cómo desengranar la cuchilla

Suelte la barra de control de la cuchilla (Figura 17).

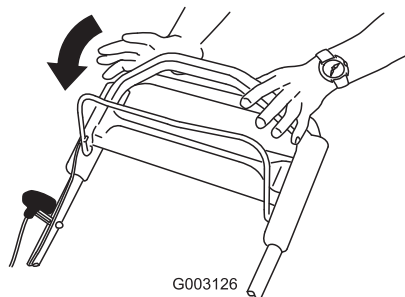


Figura 17

**Importante:** Cuando suelta la barra de control de la cuchilla, la cuchilla debe detenerse en 3 segundos o menos. Si no se detiene correctamente, deje de usar la máquina inmediatamente y póngase en contacto con el Servicio Técnico Autorizado.

## Comprobación de la operación del embrague del freno de la cuchilla

Compruebe la barra de control antes de cada uso para asegurarse de que el sistema de embrague del freno de la cuchilla funciona correctamente.

## Uso de la bolsa de recogida

**Intervalo de mantenimiento:** Cada vez que se utilice o diariamente

Usted puede utilizar la bolsa de recortes para realizar una prueba adicional, con el fin de comprobar el embrague del freno de la cuchilla.

1. Instale la bolsa de recogida vacía en la máquina.
2. Arranque el motor.
3. Engrane la cuchilla.

**Nota:** La bolsa debe empezar a inflarse, lo que indica que la cuchilla está engranada y girando.

4. Suelte la barra de control de la cuchilla.

**Nota:** Si la bolsa no se desinfla inmediatamente, es que la cuchilla sigue girando. El embrague del freno de la cuchilla puede estar deteriorándose, y si esto se ignora, podría dar lugar a un estado de operación inseguro. Haga revisar y reparar la máquina por un Servicio Técnico Autorizado.

5. Pare el motor y espere a que se detengan todas las piezas en movimiento.

## Sin usar la bolsa de recogida

1. Lleve la máquina a una superficie pavimentada en una zona al abrigo del viento.
2. Ajuste las 4 ruedas a la altura de corte de 83 mm (3-1/4 pulgadas).
3. Tome media página de periódico y haga una bola con ella que sea lo suficientemente pequeña como para pasar por debajo de la carcasa de la máquina (unas 76 mm/3 pulgadas de diámetro).
4. Coloque la bola de papel de periódico a unas 13 cm (5 pulgadas) por delante de la máquina.
5. Arranque el motor.
6. Engrane la cuchilla.
7. Suelte la barra de control de la cuchilla.
8. Empuje inmediatamente la máquina por encima de la bola de papel de periódico.
9. Pare el motor y espere a que se detengan todas las piezas en movimiento.
10. Vaya a la parte delantera de la máquina y compruebe la bola de papel de periódico.

**Nota:** Si la bola de papel no pasó por debajo de la máquina, repita los pasos 4 a 10.

11. Si la bola de papel de periódico está deshecha o deshilachada, la cuchilla no se detuvo correctamente, lo cual implica un estado de operación inseguro. Póngase en contacto con el Servicio Técnico Autorizado.

## Reciclado de los recortes

Su máquina viene preparada de fábrica para reciclar los recortes de hierba y hojas y devolverlos al césped.

Si la bolsa de recogida está instalada en la máquina, y la palanca de ensacado a demanda está en la posición de ensacado, mueva la palanca a la posición de reciclado; consulte Funcionamiento de la palanca de ensacado a demanda (página 13) antes de reciclar los recortes. Si el conducto de descarga está instalado en la máquina, retírelo; consulte Retirada del conducto de descarga lateral (página 14) antes de reciclar los recortes.

## Ensacado de los recortes

Utilice la bolsa de recogida si desea recoger los recortes de hierba y hojas del césped.

### ⚠ ADVERTENCIA

**Si la bolsa de recogida está desgastada, pueden arrojarse pequeñas piedras y otros residuos similares a la zona donde está el operador u otra persona, provocando lesiones personales graves o la muerte al operador o a la otra persona.**

**Compruebe frecuentemente la bolsa de recogida. Si está dañada, instale una bolsa de recambio Toro nueva.**

Si el conducto de descarga está instalado en la máquina, retírelo; consulte Retirada del conducto de descarga lateral (página 14) antes de ensacar los recortes. Si la palanca de ensacado a demanda está en la posición de reciclado, muévela a la posición de ensacado; consulte Funcionamiento de la palanca de ensacado a demanda (página 13).

### ⚠ ADVERTENCIA

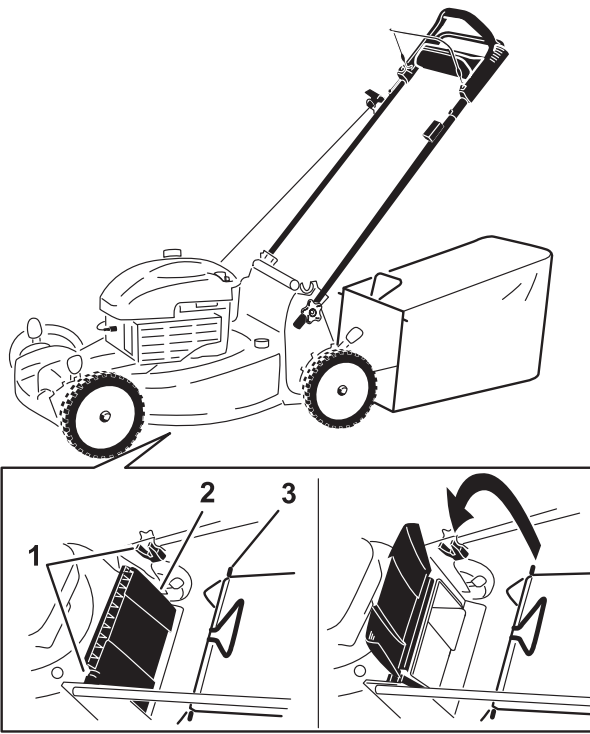
**La cuchilla está muy afilada; cualquier contacto con la cuchilla puede causar lesiones personales graves.**

**Pare el motor y espere a que se detengan todas las piezas en movimiento antes de abandonar el puesto del operador.**

## Instalación de la bolsa de recogida

1. Levante y sujete el deflector trasero (Figura 18).





**Figura 18**

1. Muecas
2. Deflector trasero
3. Pasador de la bolsa de recogida (2)

2. Instale la bolsa de recogida, asegurándose de que los pasadores de la bolsa descansan en las muescas del manillar (Figura 18).

3. Baje el deflector trasero.

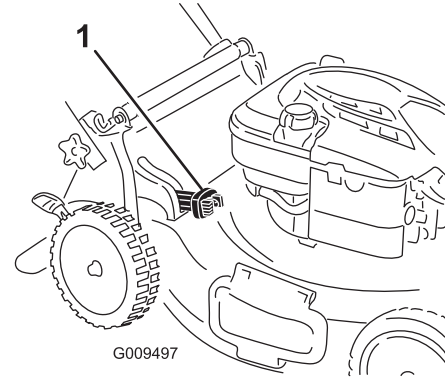
## Cómo retirar la bolsa de recogida

Para retirar la bolsa, siga los mismos pasos en sentido inverso.

## Funcionamiento de la palanca de ensacado a demanda

La función de ensacado a demanda le permite recoger o reciclar los recortes de hierba y hojas con la bolsa de recogida instalada en la máquina.

- Para ensacar los recortes de hierba y hojas, presione hacia dentro el botón de la palanca de ensacado a demanda y mueva la palanca hacia delante hasta que salga el botón de la palanca (Figura 19).

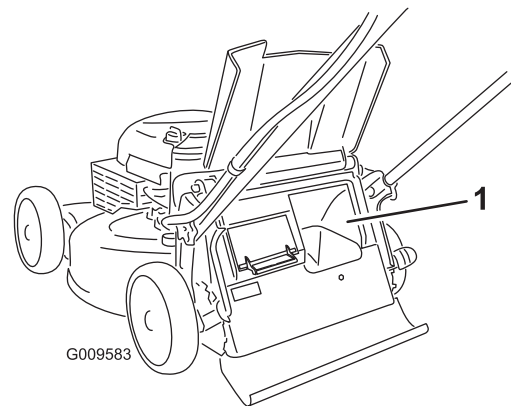


**Figura 19**

1. Palanca de ensacado a demanda (en la posición de ensacado)

- Para reciclar los recortes de hierba y hojas, presione hacia dentro el botón de la palanca de ensacado a demanda y mueva la palanca hacia atrás hasta que salga el botón de la palanca.

**Importante:** Para asegurar un funcionamiento correcto, retire cualquier recorte de hierba y otros residuos de la tapa de ensacado a demanda y del hueco adyacente (Figura 20) antes de mover la palanca de ensacado a demanda de una posición a la otra.



**Figura 20**

1. Limpiar aquí

## **⚠ ADVERTENCIA**

La cuchilla está muy afilada; cualquier contacto con la cuchilla puede causar lesiones personales graves. Si la tapa de descarga trasera está abierta, pueden arrojar pequeñas piedras y otros residuos similares hacia la zona donde está el operador u otra persona, provocando lesiones personales graves o la muerte al operador o a la otra persona.

Pare el motor y espere a que se detengan todas las piezas en movimiento antes de limpiar la tapa de ensacado a demanda y el hueco adyacente.

## **Descarga lateral de los recortes**

Utilice la descarga lateral para cortar hierba muy alta.

Si la bolsa de recogida está instalada en la máquina y la palanca de ensacado a demanda está en la posición de ensacado, mueva la palanca a la posición de reciclado; consulte Funcionamiento de la palanca de ensacado a demanda (página 13).

## **⚠ ADVERTENCIA**

La cuchilla está muy afilada; cualquier contacto con la cuchilla puede causar lesiones personales graves.

Pare el motor y espere a que se detengan todas las piezas en movimiento antes de abandonar el puesto del operador.

## **Instalación del conducto de descarga lateral**

Levante el deflector lateral e instale el conducto de descarga lateral (Figura 21).



**Figura 21**

## **Retirada del conducto de descarga lateral**

Para retirar el conducto de descarga lateral, levante el deflector lateral, retire el conducto de descarga lateral y baje el deflector del conducto de descarga lateral.

# Consejos de operación

## Consejos generales de siega

- Despeje la zona de palos, piedras, alambres, ramas y otros residuos que podrían ser golpeados por la cuchilla.
- Evite golpear objetos sólidos con la cuchilla. No siegue nunca por encima de ningún objeto.
- Si la máquina golpea un objeto o empieza a vibrar, pare inmediatamente el motor, desconecte el cable de la bujía e inspeccione la máquina en busca de daños.
- Para obtener el mejor rendimiento, instale una cuchilla nueva antes de que empiece la temporada de siega.
- Sustituya la cuchilla cuando sea preciso por una cuchilla de repuesto Toro.

## Cómo cortar la hierba

- Corte solamente un tercio de la hoja de hierba cada vez. No corte con un ajuste inferior a 54 mm (2-1/8 pulgadas) a menos que la hierba sea escasa, o a finales del otoño cuando el ritmo de crecimiento de la hierba empieza a decaer. Consulte Ajuste de la altura de corte (página 10).
- Cuando corte hierba de más de 15 cm (6 pulgadas) de alto, siegue primero usando la altura de corte más alta y ande despacio, luego siegue de nuevo a una altura menor para obtener el mejor aspecto de césped. Si la hierba es demasiado larga, puede atascar la máquina y hacer que se cale el motor.
- Siegue solamente hierba u hojas secas. La hierba mojada y las hojas mojadas tienden a pegarse al suelo, y pueden atascar la máquina o hacer que se cale el motor.

### **⚠ ADVERTENCIA**

**La hierba mojada o las hojas mojadas pueden causarle graves lesiones si usted resbala y toca la cuchilla. Siegue solamente en condiciones secas.**

- Esté atento al posible riesgo de incendio en condiciones muy secas, siga todas las advertencias locales para casos de incendio y mantenga la máquina libre de hierba seca y residuos de hojas.
- Alterne la dirección de corte. Esto ayuda a dispersar los recortes en todo el césped, dando una fertilización más homogénea.
- Si el aspecto final del césped no es satisfactorio, pruebe a:
  - Cambiar la cuchilla o mandarla a afilar.
  - Caminar más despacio mientras siega.
  - Elevar la altura de corte de la máquina.
  - Cortar el césped con más frecuencia.

- Solapar los pasillos de corte en lugar de cortar un pasillo completo en cada pasada.
- Ajustar la altura de corte una muesca menos en las ruedas delanteras que en las traseras. Por ejemplo, ajuste las ruedas delanteras a 54 mm (2-1/8 pulgadas) y las traseras a 64 mm (2-1/2 pulgadas).

## Cómo cortar hojas

- Después de segar el césped, asegúrese de que la mitad del césped se ve a través de la cobertura de hojas cortadas. Es posible que tenga que hacer más de una pasada por encima de las hojas.
- Si hay más de 13 cm (5 pulgadas) de hojas en el césped, ajuste la altura de corte de las ruedas delanteras una muesca o dos más alta que la de las ruedas traseras.
- Siegue más despacio si la máquina no corta las hojas suficientemente finas.

# Mantenimiento

**Nota:** Los lados derecho e izquierdo de la máquina se determinan desde la posición normal del operador.

## Calendario recomendado de mantenimiento

Intervalo de mantenimiento y servicio	Procedimiento de mantenimiento
Después de las primeras 5 horas	<ul style="list-style-type: none"><li>• Cambie el aceite del motor.</li></ul>
Cada vez que se utilice o diariamente	<ul style="list-style-type: none"><li>• Compruebe el nivel de aceite del motor.</li><li>• Asegúrese de que la cuchilla se para en no más de 3 segundos después de soltar la barra de control de la cuchilla.</li><li>• Compruebe la operación del embrague del freno de la cuchilla.</li><li>• Limpie los recortes de hierba y la suciedad de debajo de la máquina.</li></ul>
Cada 25 horas	<ul style="list-style-type: none"><li>• Cambie el filtro de aire; cámbielo con más frecuencia en condiciones de mucho polvo.</li><li>• Limpie el protector del embrague del freno de la cuchilla.</li></ul>
Antes del almacenamiento	<ul style="list-style-type: none"><li>• Vacíe el depósito de combustible antes de efectuar reparaciones, según las instrucciones, y antes del almacenamiento anual.</li></ul>
Cada año	<ul style="list-style-type: none"><li>• Cambie el aceite del motor.</li><li>• Cambie la cuchilla o haga que la afilen (más a menudo si se desafilan rápidamente).</li><li>• Limpie el sistema de limpieza de aire; límpielo con más frecuencia en condiciones de mucho polvo. Consulte el manual del operador de su motor.</li><li>• Consulte en el Manual del operador del motor cualquier procedimiento adicional de mantenimiento anual.</li></ul>

**Importante:** Consulte en el Manual del operador del motor procedimientos adicionales de mantenimiento.

**Nota:** Puede adquirir piezas de repuesto en un Servicio Técnico Autorizado (vaya a [www.toro.com](http://www.toro.com) para encontrar el distribuidor más cercano) o en [www.shoptoro.com](http://www.shoptoro.com).

## Preparación para el mantenimiento

1. Pare el motor y espere a que se detengan todas las piezas en movimiento.
2. Desconecte el cable de la bujía (Figura 22) antes de realizar cualquier procedimiento de mantenimiento.

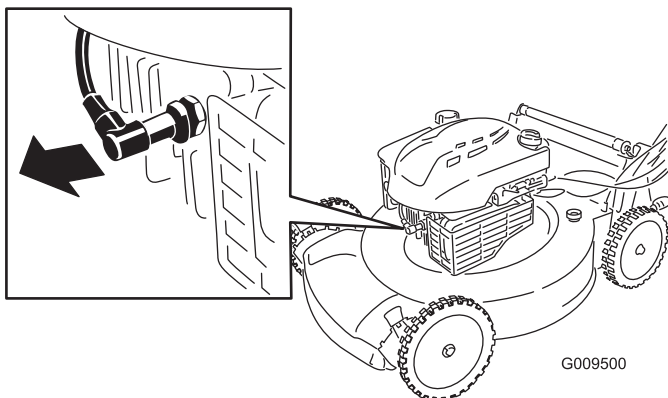


Figura 22

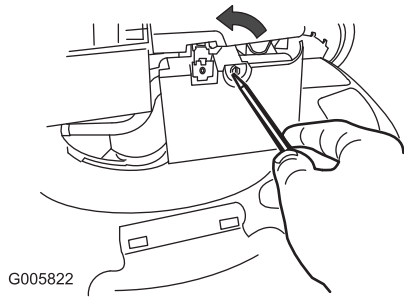
3. Después de realizar el/los procedimiento(s) de mantenimiento, conecte el cable de la bujía a la bujía.

**Importante:** Antes de inclinar la máquina para cambiar el aceite o sustituir la cuchilla, deje que se vacíe el depósito de combustible con el uso normal. Si es imprescindible inclinar la máquina antes de que se acabe el combustible, utilice una bomba manual para retirar el combustible. Siempre coloque la máquina de lado con la varilla de aceite hacia abajo.

# Cambio del filtro de aire

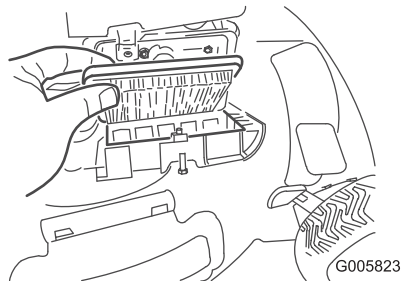
**Intervalo de mantenimiento:** Cada 25 horas

1. Utilice un destornillador para abrir la tapa del filtro de aire (Figura 23).



**Figura 23**

2. Cambie el filtro de aire (Figura 24).



**Figura 24**

3. Coloque la tapa.

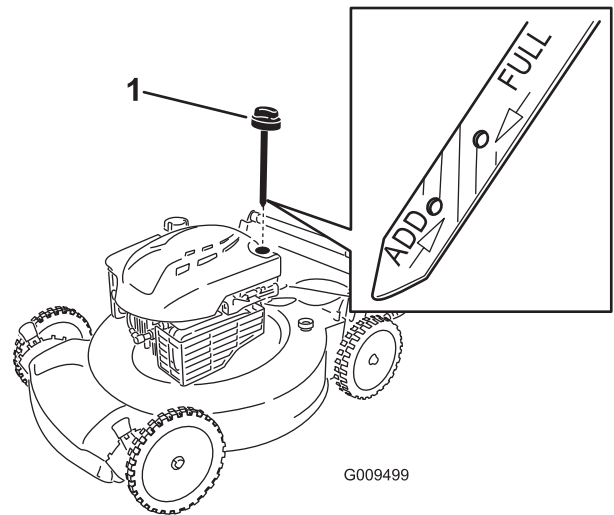
# Cómo cambiar el aceite del motor

**Intervalo de mantenimiento:** Después de las primeras 5 horas

Cada año

Haga funcionar el motor durante unos minutos antes de cambiar el aceite para calentar el aceite. El aceite caliente fluye mejor y transporta más contaminantes.

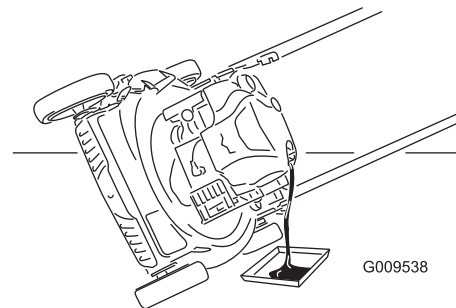
1. Lleve la máquina a una superficie nivelada.
2. Consulte Preparación para el mantenimiento (página 16).
3. Retire la varilla (Figura 25).



**Figura 25**

1. Varilla

4. Coloque la máquina de lado con la varilla de aceite hacia abajo para drenar el aceite usado a través del tubo de llenado de aceite (Figura 26).



**Figura 26**

5. Ponga la máquina en la posición normal de trabajo.
6. Vierta aproximadamente tres cuartas partes de la capacidad total de aceite en el cárter.  
**Nota:** Capacidad máxima: 0.59 l (20 onzas), tipo: SAE 30, aceite detergente con clasificación de servicio API SF, SG, SH, SJ, SL o superior.
7. Espere unos 3 minutos para que el aceite se asiente en el cárter.
8. Limpie la varilla con un paño limpio.
9. Inserte la varilla a fondo en el tubo de llenado de aceite, luego retírela.
10. Observe en la varilla el nivel de aceite (Figura 25).
  - Si el nivel de aceite está por debajo de la marca Add de la varilla, vierta lentamente una pequeña cantidad de aceite en el tubo de llenado y repita los pasos 8 a 10 hasta que el nivel llegue a la marca **Full** de la varilla.
  - Si el nivel de aceite está por encima de la marca Lleno de la varilla, drene el exceso de aceite hasta que el aceite llegue a la marca Lleno de la varilla.

**Importante:** Si el nivel de aceite del motor es demasiado bajo o demasiado alto y usted arranca el motor, puede dañar el motor.

11. Instale la varilla firmemente.
12. Recicle correctamente el aceite usado.

## Cómo cambiar la cuchilla

**Intervalo de mantenimiento:** Cada año

**Importante:** *Usted necesitará una llave dinamométrica para instalar la cuchilla correctamente. Si no dispone de una llave dinamométrica o prefiere no realizar este procedimiento, póngase en contacto con el Servicio Técnico Autorizado.*

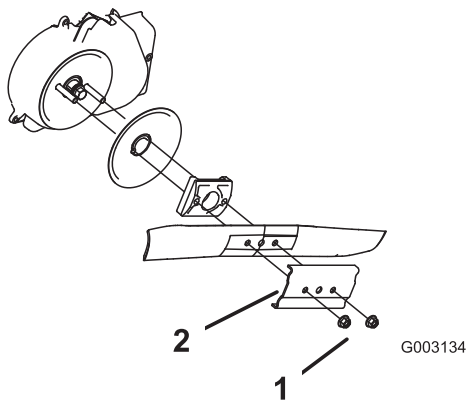
Examine la cuchilla cada vez que se acabe la gasolina. Si la cuchilla está dañada o agrietada, sustitúyala inmediatamente. Si el filo de la cuchilla está romo o mellado, mande a afilar la cuchilla o cámbiela.

### ⚠ ADVERTENCIA

La cuchilla está muy afilada; cualquier contacto con la cuchilla puede causar lesiones personales graves.

Lleve guantes al realizar el mantenimiento de la cuchilla.

1. Desconecte el cable de la bujía. Consulte Preparación para el mantenimiento (página 16).
2. Coloque la máquina de lado con la varilla de aceite hacia abajo.
3. Retire las 2 tuercas de la cuchilla y el refuerzo (Figura 27).



**Figura 27**

1. Tuercas de la cuchilla
2. Refuerzo

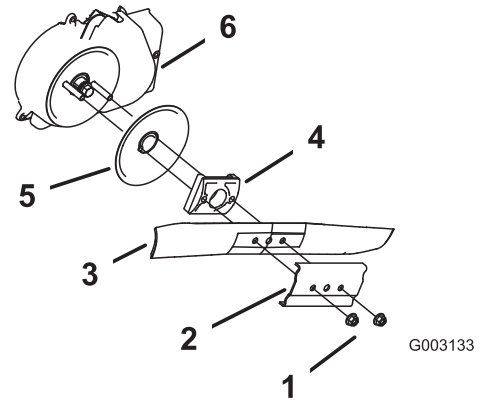
4. Retire la cuchilla (Figura 27).
5. Instale la cuchilla nueva (Figura 27).
6. Instale el refuerzo que retiró anteriormente.
7. Instale las tuercas de la cuchilla y apriételas a 20–37 Nm (15–27 pies-libra).

## Limpieza del protector del embrague del freno de la cuchilla

**Intervalo de mantenimiento:** Cada 25 horas

Limpie el protector del embrague del freno de la cuchilla cada año para evitar que la cuchilla se cale mientras siega.

1. Desconecte el cable de la bujía. Consulte Preparación para el mantenimiento (página 16).
2. Coloque la máquina de lado con la varilla de aceite hacia abajo.
3. Retire las 2 tuercas de la cuchilla y el refuerzo (Figura 28).



**Figura 28**

1. Tuercas de la cuchilla
2. Refuerzo
3. Cuchilla
4. Impulsor de la cuchilla
5. Disco
6. Protector del embrague del freno de la cuchilla

4. Retire la cuchilla (Figura 28).
5. Retire el impulsor de la cuchilla y el disco (Figura 28).
6. Retire el protector del embrague del freno de la cuchilla (Figura 28).
7. Limpie los residuos del interior del protector y alrededor de todas las piezas usando un cepillo o aire a presión.
8. Instale el protector del embrague del freno de la cuchilla que retiró anteriormente.
9. Instale el impulsor de la cuchilla y el disco que retiró anteriormente.
10. Instale la cuchilla y el refuerzo que retiró anteriormente (Figura 28).
11. Instale las tuercas de la cuchilla y apriételas a 20–37 Nm (15–27 pies-libra).



## Ajuste del cable de la transmisión autopropulsada

Cada vez que instale un nuevo cable de la transmisión autopropulsada o si la transmisión autopropulsada está mal ajustada, ajuste el cable de la transmisión autopropulsada.

1. Afloje la tuerca del soporte del cable (Figura 29).

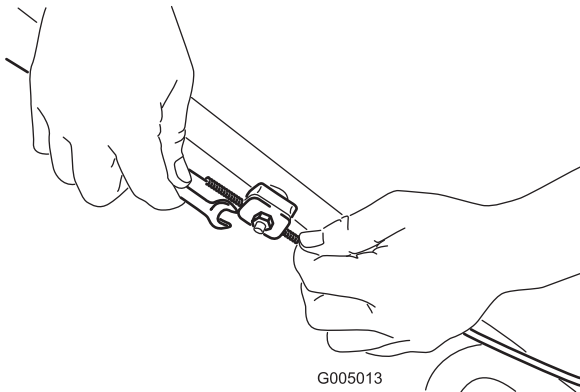


Figura 29

2. Tire hacia abajo de la cubierta del cable (hacia la máquina) hasta eliminar la holgura del cable (Figura 30).

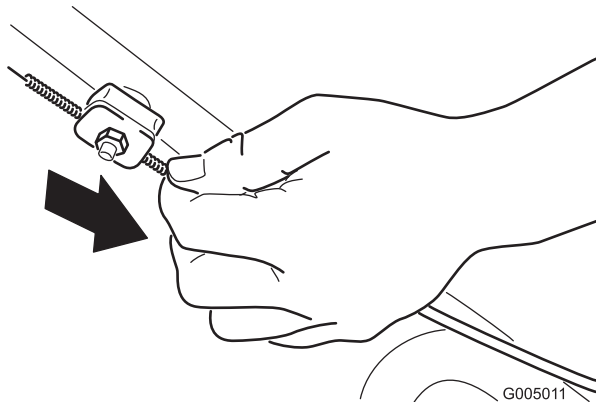


Figura 30

3. Apriete la tuerca del soporte del cable.

## Limpie debajo de la carcasa de la máquina.

**Intervalo de mantenimiento:** Cada vez que se utilice o diariamente

### ⚠ ADVERTENCIA

La máquina puede soltar material de debajo de la carcasa.

- Lleve protección ocular.
- Permanezca en la posición de operación (detrás del manillar) cuando el motor está en marcha.
- No permita la presencia de otras personas en la zona.

Para obtener resultados óptimos, limpie la máquina inmediatamente después de terminar la siega.

1. Baje la máquina a la altura de corte más baja. Consulte Ajuste de la altura de corte (página 10).
2. Lleve la máquina a una superficie plana pavimentada.
3. Lave la zona que está debajo del deflector trasero por donde pasan los recortes en su camino desde la carcasa hasta la bolsa de recogida.

**Nota:** Lave la zona con ensacado a demanda en la posición totalmente hacia adelante y totalmente hacia atrás.

4. Conecte una manguera de jardín que esté conectada a un grifo al orificio de lavado de la carcasa de la máquina (Figura 31).

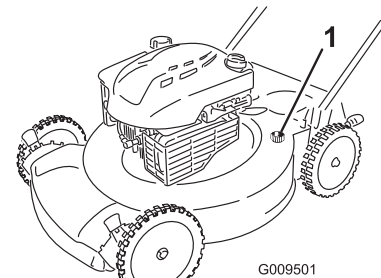


Figura 31

1. Orificio de lavado

5. Abra el grifo de la manguera.
6. Arranque el motor y hágalo funcionar hasta que no salgan más recortes de debajo de la carcasa de la máquina.
7. Pare el motor.
8. Cierre el grifo y desconecte la manguera de la máquina.
9. Arranque el motor y hágalo funcionar durante unos minutos para que se seque la carcasa y evitar que se oxide.

10. Espere a que se enfríe el motor antes de guardar la máquina en un lugar cerrado.

# Almacenamiento

Almacene la máquina en un lugar fresco, limpio y seco.

## Preparación de la máquina para el almacenamiento

### ⚠ ADVERTENCIA

Los vapores de la gasolina pueden explotar.

- No guarde la gasolina durante más de 30 días.
- No guarde la máquina en un lugar cerrado cerca de una llama desnuda.
- Deje que se enfríe el motor antes de guardarlo.

1. En el último repostaje del año, añada estabilizador al combustible siguiendo las instrucciones del fabricante del motor.
2. Deseche adecuadamente cualquier combustible sobrante. Recíclalo según la normativa local, o utilícelo en su automóvil.

**Nota:** La presencia de combustible viejo en el depósito de combustible es la principal causa de dificultades en el arranque. No guarde combustible sin estabilizador durante más de 30 días, y no almacene combustible estabilizado durante más de 90 días.

3. Haga funcionar la máquina hasta que el motor se pare por haberse quedado sin gasolina.
4. Arranque el motor de nuevo.
5. Deje que funcione el motor hasta que se pare. Cuando ya no se puede arrancar el motor, está suficientemente seco.
6. Desconecte el cable de la bujía.
7. Retire la bujía, añada 30ml (1 onza) de aceite a través del orificio de la bujía, y tire de la cuerda del arrancador lentamente varias veces para que se distribuya el aceite por el cilindro, con el fin de evitar la corrosión durante el periodo de inactividad.
8. Instale la bujía sin apretarla.
9. Apriete todos los pernos, tuercas y tornillos.

## Cómo plegar el manillar

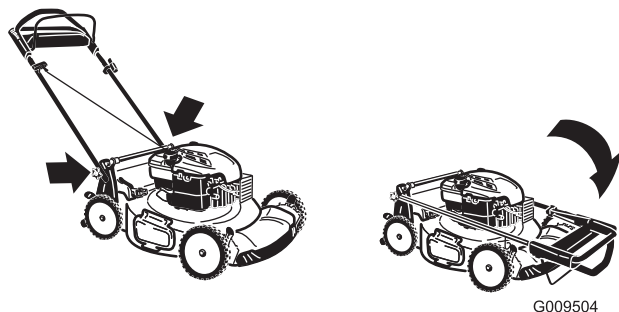
### ⚠ ADVERTENCIA

Si pliega o despliega el manillar de forma incorrecta, pueden dañarse los cables, creando unas condiciones de operación inseguras.

- No dañe los cables al plegar o desplegar el manillar.
- Si un cable está dañado, póngase en contacto con el Servicio Técnico Autorizado.

1. Afloje los pomos del manillar hasta que pueda mover libremente la sección superior del mismo.
2. Pliegue hacia adelante la sección superior del manillar (ver Figura 32).

**Importante:** Asegúrese de que los cables quedan por fuera de los pomos del manillar al plegar la sección superior.



**Figura 32**

- 
3. Para desplegar el manillar, siga los mismos pasos en sentido inverso.

## Después del almacenamiento

1. Compruebe y apriete todos los cierres.
2. Retire la bujía y haga girar el motor rápidamente usando el arrancador para eliminar el exceso de aceite del cilindro.
3. Instale la bujía y apriétela con una llave dinamométrica a 20 Nm (15 pies-libra).
4. Lleve a cabo cualquier procedimiento de mantenimiento necesario; consulte Mantenimiento (página 16).
5. Compruebe el nivel de aceite del motor; consulte Verificación del nivel de aceite del motor (página 9).
6. Llene el depósito de combustible con gasolina fresca. Cómo llenar el depósito de combustible (página 8).
7. Conecte el cable a la bujía.



## La Garantía Toro de Cobertura Total

Una garantía completa de 2 años (Garantía limitada de 45 días para el uso comercial)

## La Garantía de Arranque GTS de Toro

Una garantía completa de 3 años (no aplicable al uso comercial)

Recycler de 22 pulgadas®  
Picador/ensacador de 50.8 cm (20 pulgadas)  
Cortacéspedes dirigidos

### Condiciones y productos cubiertos

The Toro Company y su afiliado, Toro Warranty Company, bajo un acuerdo entre sí, prometen conjuntamente reparar el producto Toro nombrado a continuación que haya sido usado con propósitos residenciales\*, si tiene defectos de materiales o mano de obra o si deja de funcionar debido al fallo de un componente, o si el motor Toro GTS (Guaranteed to Start - Garantía de Arranque) no arranca en el primer o segundo intento, siempre que se haya realizado todo el mantenimiento rutinario indicado en el *Manual del operador*.

Esta garantía cubre el coste de piezas y mano de obra, pero usted debe pagar los costes de transporte.

Los siguientes plazos son aplicables desde la fecha de la compra:

Productos	Periodo de garantía
Recycler de 22 pulgadas y Picador/Ensacador de 20 pulgadas y Accesorios	Garantía completa de 2 años
GTS (Guaranteed to Start)	Garantía completa de 3 años
Motor	Garantía completa de 3 años
Batería	Garantía completa de 1 año

### Garantía limitada para el uso comercial\*

Los productos de gasolina Toro utilizados con propósitos comerciales, institucionales o de alquiler están garantizados durante 45 días contra defectos en materiales o mano de obra. Los componentes que fallan debido al uso y desgaste normales no están cubiertos por esta garantía.

La Garantía de arranque Toro GTS no es aplicable cuando el producto es usado con fines comerciales\*.

### Instrucciones para obtener asistencia bajo la garantía

Si usted cree que su Producto Toro tiene un defecto de materiales o mano de obra, o si un adulto de capacidad normal ya no puede arrancar el motor de su producto con uno o dos intentos, siga este procedimiento:

1. Póngase en contacto con cualquier Distribuidor Autorizado Toro para concertar el mantenimiento en sus instalaciones. Para localizar un distribuidor cerca de usted, consulte las *Páginas Amarillas* telefónicas (mire en "cortacéspedes") o visite nuestro sitio web en [www.Toro.com](http://www.Toro.com). También puede llamar a los números que aparecen en el apartado 3 para usar el sistema de localización de Distribuidores Toro las 24 horas al día.
2. Lleve el producto y su prueba de compra (recibo o factura de venta) al Distribuidor. El distribuidor diagnosticará el problema y determinará si está cubierto por la garantía.
3. Si por alguna razón usted no está satisfecho con el análisis del Distribuidor o con la asistencia recibida, póngase en contacto con nosotros en la dirección siguiente:

Customer Care Department, RLC Division  
The Toro Company  
8111 Lyndale Avenue South  
Bloomington, MN 55420-1196  
Teléfono gratuito: 866-214-9807 (clientes de EE.UU.)  
Teléfono gratuito: 866-214-9808 (clientes de Canadá)

### Responsabilidades del Propietario

Usted debe mantener su Producto Toro siguiendo los procedimientos de mantenimiento descritos en el *Manual del operador*. Dicho mantenimiento rutinario, sea realizado por un distribuidor o por usted mismo, es por cuenta de usted.

### Países fuera de Estados Unidos o Canadá

Los clientes que compraron productos Toro exportados de los Estados Unidos o Canadá deben ponerse en contacto con su Distribuidor (Concesionario) Toro para obtener pólizas de garantía para su país, provincia o estado. Si por cualquier razón usted no está satisfecho con el servicio ofrecido por su distribuidor, o si tiene dificultad en obtener información sobre la garantía, póngase en contacto con el importador Toro. Si fallan todos los demás recursos, puede ponerse en contacto con nosotros en Toro Warranty Company.

\* "Propósito residencial" significa el uso del producto en la misma parcela en que se encuentra su vivienda. El uso en más de un lugar, o el uso institucional o alquiler, se considera como uso comercial y sería aplicable la garantía de uso comercial.

### Elementos y condiciones no cubiertos

No hay otra garantía expresa salvo la cobertura especial de emisión y la garantía sobre motores en algunos productos. Esta garantía expresa no cubre:

- El coste de mantenimiento regular, servicio o piezas, como por ejemplo filtros, combustible, lubricantes, cambios de aceite, bujías, filtros de aire, afilado de cuchillas o cuchillas desgastadas, ajustes de cables/acoplamientos o ajustes de frenos y embragues
- Cualquier producto o pieza que haya sido modificado o mal utilizado o que haya necesitado ser sustituido o reparado debido a accidente o falta de mantenimiento adecuado
- Reparaciones debidas a no utilizar combustible fresco (comprado hace menos de un mes) o no preparar adecuadamente la unidad antes de cualquier periodo de no utilización superior a un mes
- Costes de recogida y entrega
- Mal uso, negligencia o accidentes
- Reparaciones o intentos de reparación por parte de personas no pertenecientes a un Servicio Técnico Toro Autorizado
- Reparaciones o ajustes para corregir problemas de arranque debidos a lo siguiente:
  - no se han seguido los procedimientos correctos de mantenimiento
  - una cuchilla del cortacésped rotativo ha golpeado un objeto
  - contaminantes en el sistema de combustible
  - combustible incorrecto (en caso de duda, consulte el *Manual del operador*)
  - no se ha drenado el sistema de combustible antes de un periodo de inactividad superior a un mes
- Condiciones de operación especiales que pueden requerir más de dos intentos de arranque:
  - primer arranque después de un periodo extendido de inactividad superior a tres meses o de almacenamiento estacional
  - arranque a baja temperatura, por ejemplo al inicio de la primavera o al final del otoño
  - procedimientos de arranque incorrectos – si tiene dificultad al arrancar su unidad, revise el *Manual del operador* para asegurarse de que está siguiendo los procedimientos de arranque correctos. Esto puede ahorrarle una visita innecesaria al Servicio Técnico Autorizado Toro.

### Condiciones generales

Todas las reparaciones cubiertas por estas garantías deben ser realizadas por un Servicio Técnico Toro Autorizado usando piezas de repuesto aprobados por Toro. La reparación por un Distribuidor Autorizado Toro es su único remedio bajo esta garantía.

**Ni The Toro Company ni Toro Warranty Company son responsables de daños indirectos, incidentales o consecuentes respecto al uso de los productos Toro cubiertos por estas garantías, incluyendo cualquier coste o gasto por la provisión de equipos de sustitución o servicio durante periodos razonables de mal funcionamiento o no utilización hasta la terminación de reparaciones bajo estas garantías.**

Algunos estados no permiten exclusiones de daños incidentales o consecuentes, de manera que las exclusiones arriba citadas pueden no ser aplicables a usted.

Esta garantía le otorga a usted derechos legales específicos; es posible que usted tenga otros derechos que varían de un estado a otro.



# Tondeuse Recycler® de 56 cm (22 po)

N° de modèle 20333—N° de série 313000001 et suivants

N° de modèle 20333C—N° de série 313000001 et suivants

## Manuel de l'utilisateur

Vous pouvez vous procurer des pièces de rechange chez n'importe quel dépositaire agréé ou sur le site [www.shoptoro.com](http://www.shoptoro.com).

## Introduction

Cette tondeuse à lame rotative autotractée est destinée au grand public. Elle est principalement conçue pour tondre les pelouses entretenues régulièrement dans les terrains privés. Elle n'est pas conçue pour couper les broussailles ni pour un usage agricole.

Lisez attentivement ces informations pour apprendre comment utiliser et entretenir correctement votre produit, et éviter de l'endommager ou de vous blesser. Vous êtes responsable de l'utilisation sûre et correcte du produit.

Vous pouvez contacter Toro directement à [www.Toro.com](http://www.Toro.com) pour tout renseignement concernant un produit ou un accessoire, pour obtenir l'adresse d'un dépositaire ou pour enregistrer votre produit.

Lorsque vous contactez un dépositaire-réparateur agréé ou le service après-vente Toro pour l'entretien de votre machine, pour vous procurer des pièces Toro d'origine ou pour obtenir des renseignements complémentaires, munissez-vous des numéros de modèle et de série du produit. Figure 1 indique l'emplacement des numéros de modèle et de série du produit.

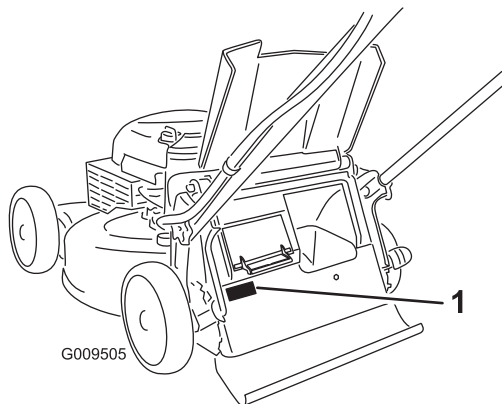


Figure 1

1. Plaque des numéros de modèle et de série

Notez les numéros de modèle et de série du produit dans l'espace ci-dessous :

N° de modèle \_\_\_\_\_

N° de série \_\_\_\_\_

Les mises en garde de ce manuel soulignent les dangers potentiels et sont signalées par le symbole de sécurité (Figure 2), qui indique un danger pouvant entraîner des blessures graves ou mortelles si les précautions recommandées ne sont pas respectées.



Figure 2

1. Symbole de sécurité

Deux termes sont également utilisés pour faire passer des informations essentielles. **Important**, pour attirer l'attention sur des informations mécaniques spécifiques et **Remarque**, pour insister sur des informations d'ordre général méritant une attention particulière.

### ATTENTION

#### CALIFORNIE

#### Proposition 65 - Avertissement

Ce produit contient une ou des substances chimiques considérées par l'état de Californie comme susceptibles de provoquer des cancers, des malformations congénitales et autres troubles de la reproduction.

Les gaz d'échappement du moteur de ce produit contiennent des substances chimiques considérées par l'état de Californie comme susceptibles de provoquer des cancers, des anomalies congénitales ou d'autres troubles de la reproduction.

**Important:** Le moteur de cette machine n'est pas équipé d'un pare-étincelles. L'utilisation de cette machine dans une zone boisée, broussailleuse ou



recouverte d'herbe constitue une infraction à la section 4442 du Code des ressources publiques de Californie (CPRC). Certains autres états ou régions fédérales peuvent être régis par des lois similaires.

Ce système d'allumage par étincelle est conforme à la norme canadienne ICES-002.

**Le Manuel du propriétaire du moteur ci-joint est fourni à titre informatif concernant la réglementation de l'Agence américaine pour la protection de l'environnement (EPA) et la réglementation antipollution de l'état de Californie relative aux systèmes antipollution, à leur entretien et à leur garantie. Vous pouvez vous en procurer un nouvel exemplaire en vous adressant au constructeur du moteur.**

Pour les modèles dont la puissance du moteur est indiquée, la puissance brute du moteur a été mesurée en laboratoire par le constructeur du moteur selon SAE J1940. Étant configuré pour satisfaire aux normes de sécurité, antipollution et d'exploitation, le moteur monté sur cette classe de tondeuse aura une puissance effective nettement inférieure.

## Table des matières

Introduction .....	1
Consignes générales d'utilisation .....	2
Utilisation sur pente .....	3
Enfants .....	3
Entretien .....	3
Autocollants de sécurité et d'instruction .....	5
Mise en service .....	6
1 Montage de la barre de commande des lames .....	6
2 Montage du guidon .....	6
3 Montage du câble du lanceur dans le guide .....	6
4 Plein d'huile moteur .....	7
Vue d'ensemble du produit .....	8
Utilisation .....	8
Remplissage du réservoir de carburant .....	8
Contrôle du niveau d'huile moteur .....	9
Réglage de la hauteur de coupe .....	10
Démarrage du moteur .....	10
Utilisation de l'autopropulsion .....	10
Arrêt du moteur .....	11
Débrayage de la lame .....	11
Désengagement des lames .....	11
Contrôle du fonctionnement de l'embrayage du frein de lame .....	11
Recyclage de l'herbe coupée .....	12
Ramassage de l'herbe coupée .....	12
Éjection latérale de l'herbe coupée .....	14
Conseils d'utilisation .....	15
Entretien .....	16
Programme d'entretien recommandé .....	16
Préparation à l'entretien .....	16

Remplacement du filtre à air .....	17
Vidange et remplacement de l'huile moteur .....	17
Remplacement de la lame .....	18
Nettoyage de la protection du débrayage de frein de lame .....	18
Réglage du câble d'autopropulsion .....	19
Nettoyage du dessous de la machine .....	19
Remisage .....	20
Préparation de la machine au remisage .....	20
Pliage du guidon .....	20
Remise en service après remisage .....	20

## Sécurité

Cette tondeuse est conforme aux ou dépasse les normes de sécurité CPSC relatives aux lames pour tondeuses autotractées et les spécifications de la norme B71.1 de l'American National Standards Institute en vigueur au moment de la production.

**Lisez et assimilez le contenu de ce manuel avant de mettre le moteur en marche.**

Le symbole de sécurité (Figure 2) signale des dangers potentiels susceptibles de causer des blessures. Respectez tous les messages de sécurité qui suivent ce symbole pour éviter des accidents, potentiellement mortels. L'usage ou l'entretien incorrect de cette tondeuse peut occasionner des accidents, parfois mortels. Pour réduire les risques, respectez les consignes de sécurité suivantes.

Les instructions qui suivent sont adaptées de la norme ANSI/OPEI B71.1-2003.

**Cette machine peut sectionner les mains ou les pieds et projeter des objets. Des accidents graves ou mortels peuvent se produire si les consignes de sécurité suivantes ne sont pas respectées.**

## Consignes générales d'utilisation

- Vous devez lire, comprendre et respecter toutes les instructions qui figurent sur la machine et dans le(s) manuel(s) avant de démarrer.
- N'approchez pas les mains ou les pieds de la machine. Ne vous tenez jamais devant l'ouverture d'éjection.
- Seules les personnes adultes responsables qui ont pris connaissance des instructions sont autorisées à utiliser cette machine.
- Débarrassez la zone de travail des pierres, jouets, câbles, etc. qui pourraient être projetés par la lame. Restez derrière le guidon quand le moteur est en marche.
- Vérifiez que personne ne se trouve dans la zone de travail avant d'utiliser la machine. Arrêtez la machine si quelqu'un entre dans la zone de travail.
- N'utilisez pas la machine pieds nus ou chaussé de sandales. Portez toujours des chaussures solides.



- Ne tirez jamais la machine en arrière, sauf en cas d'absolue nécessité. Vérifiez toujours si la voie est libre juste derrière la machine et sur sa trajectoire avant de reculer.
- Ne dirigez jamais l'éjection vers qui que ce soit. N'éjectez pas l'herbe coupée contre un mur ou un obstacle. Elle pourrait être renvoyée vers l'opérateur. Arrêtez la lame quand vous passez sur du gravier.
- N'utilisez pas la machine si le bac à herbe au complet, le déflecteur d'éjection, le déflecteur arrière ou autres dispositifs de sécurité ne sont pas installés et en parfait état de marche.
- Ne laissez jamais la machine en marche sans surveillance.
- Arrêtez le moteur et attendez l'arrêt complet de la lame avant de nettoyer la machine, de retirer le bac à herbe ou de déboucher le déflecteur d'éjection.
- Travaillez uniquement à la lumière du jour ou avec un bon éclairage artificiel.
- N'utilisez pas la machine sous l'emprise de l'alcool, de drogues ou de médicaments.
- N'utilisez jamais la tondeuse sur de l'herbe humide. Veillez à ne pas perdre l'équilibre; avancez à une allure normale, ne courez pas.
- Désengagez le système d'entraînement, le cas échéant, avant de mettre le moteur en marche.
- Si la machine se met à vibrer de façon anormale, coupez le moteur et cherchez-en immédiatement la cause. Les vibrations indiquent généralement la présence d'un problème.
- Protégez-vous toujours les yeux quand vous utilisez la machine.
- Reportez-vous aux instructions du constructeur concernant l'utilisation et le montage d'accessoires. N'utilisez que les accessoires agréés par le constructeur.

## Utilisation sur pente

Les pentes peuvent augmenter significativement les risques de dérapage ou de chute qui peuvent entraîner des blessures graves. Les manœuvres sur pentes, quelles qu'elles soient, demandent une attention particulière. Ne travaillez pas sur les pentes sur lesquelles vous ne vous sentez pas à l'aise.

- Travaillez transversalement à la pente, jamais vers le haut ou vers le bas. Soyez extrêmement prudent lorsque vous changez de direction sur un terrain en pente.
- Méfiez-vous des trous, ornières, bosses, rochers ou autres obstacles cachés. Les irrégularités de terrain peuvent vous faire déraiper et provoquer votre chute. L'herbe haute peut masquer les accidents du terrain.
- Ne tondez pas quand l'herbe est humide ni sur des pentes raides. Vous pourriez glisser et vous blesser en tombant.
- Ne tondez pas à proximité de dénivellations, fossés ou berges. Vous pourriez glisser ou perdre l'équilibre.

## Enfants

Des accidents tragiques peuvent survenir si l'utilisateur ne sait pas que des enfants sont présents. Les enfants sont souvent attirés par la machine et l'activité de tonte. Ne partez **jamais** du principe que les enfants se trouvent encore là où vous les avez vus pour la dernière fois.

- Veillez à ce que les enfants restent hors de la zone de travail, sous la garde d'un adulte responsable autre que l'utilisateur.
- Montrez-vous vigilant et coupez le moteur de la tondeuse si un enfant pénètre dans la zone de travail.
- Ne laissez jamais un enfant utiliser la machine.
- Soyez particulièrement prudent à l'approche de tournants aveugles, de buissons, d'arbres ou d'autres objets susceptibles de dissimuler un enfant à votre vue.

## Entretien

### Manipulation sûre de l'essence

**Pour éviter de vous blesser ou de causer des dommages matériels, manipulez l'essence avec une extrême prudence. L'essence est extrêmement inflammable et ses vapeurs sont explosives.**

- Éteignez cigarettes, cigares, pipes et autres sources d'étincelles.
- N'utilisez que des bidons à essence homologués.
- N'enlevez jamais le bouchon du réservoir et n'ajoutez jamais de carburant lorsque le moteur tourne. Laissez refroidir le moteur avant de faire le plein.
- Ne faites jamais le plein à l'intérieur d'un local.
- Ne remisez jamais la machine ni les bidons de carburant à proximité d'une flamme nue, d'une source d'étincelles ou d'une veilleuse, telle celle que l'on trouve sur un chauffe-eau ou d'autres appareils.
- Ne remplissez jamais les bidons de carburant à l'intérieur d'un véhicule ou dans la caisse d'un véhicule utilitaire dont le revêtement est en plastique. Posez toujours les bidons sur le sol, à l'écart du véhicule, avant de les remplir.
- Descendez la machine à essence du véhicule ou de la remorque et posez-la à terre avant de remplir le réservoir de carburant. Si ce n'est pas possible, laissez la machine dans le véhicule ou sur la remorque, mais remplissez le réservoir à l'aide d'un bidon, et non directement à la pompe.
- Maintenez le pistolet en contact avec le bord du réservoir ou du bidon jusqu'à la fin du ravitaillement. N'utilisez pas un dispositif de verrouillage du pistolet en position ouverte.
- Si du carburant s'est répandu sur vos vêtements, changez-vous immédiatement.
- Ne remplissez jamais excessivement le réservoir de carburant. Remettez en place le bouchon du réservoir et serrez-le à fond.

## **⚠ ATTENTION**

**Les gaz d'échappement contiennent du monoxyde de carbone, un gaz inodore mortel.**

**Ne faites pas tourner le moteur à l'intérieur d'un local fermé.**

### **Entretien général**

- Ne faites jamais tourner le moteur dans un local fermé.
- Gardez tous les écrous et boulons bien serrés pour être sûr de pouvoir utiliser la machine sans danger.
- N'enlevez et ne modifiez jamais les dispositifs de sécurité. Vérifiez régulièrement qu'ils fonctionnent correctement.
- Ne laissez pas l'herbe, les feuilles ou d'autres débris s'accumuler sur la machine. Nettoyez les coulées éventuelles d'huile ou de carburant et éliminez les débris imbibés de carburant. Laissez refroidir la machine avant de la remiser.
- Si vous heurtez un obstacle, arrêtez et examinez la machine. Effectuez les réparations nécessaires avant de mettre la machine en marche.
- N'effectuez jamais de réglages ou de réparations lorsque le moteur est en marche. Débranchez le fil de la bougie d'allumage et mettez-le à la masse contre le moteur pour éviter les démarrages accidentels.
- Vérifiez fréquemment l'état des composants du bac à herbe et du déflecteur d'éjection, et remplacez les pièces qui en ont besoin par des pièces recommandées par le constructeur.
- Les lames du tablier de coupe sont tranchantes. Manipulez toujours les lames avec des gants ou en les enveloppant dans un chiffon, et toujours avec la plus grande prudence.
- Ne modifiez pas le réglage du régulateur et ne faites pas tourner le moteur à un régime excessif.
- Remplacez les autocollants d'instruction ou de sécurité manquants ou endommagés au besoin.

# Autocollants de sécurité et d'instruction

**Important:** Les autocollants de sécurité et d'instruction sont placés près des endroits potentiellement dangereux. Remplacez les autocollants endommagés.



Marque du fabricant

1. Identifie la lame comme pièce d'origine.



94-8072



108-8117



112-8867

1. Verrouillage
2. Déverrouillage



114-7982

1. Attention – lisez le *Manuel de l'utilisateur*.
2. Risque de projection d'objets – tenez les spectateurs à bonne distance de la machine.
3. Risque de coupure/mutilation des mains ou des pieds par les lames de la tondeuse – enlevez la clé de contact et lisez les instructions avant de procéder à l'entretien ou à des révisions.
4. Risque de coupure/mutilation des mains ou des pieds par la lame de la tondeuse – ne vous approchez pas des pièces mobiles.
5. Risque de coupure/mutilation des mains ou des pieds par la lame de la tondeuse – ne travaillez pas dans le sens de la pente, mais transversalement; arrêtez le moteur avant de quitter la position de conduite et regardez derrière vous avant de faire marche arrière.



117-2718

# Mise en service

**Important:** Retirez et mettez au rebut la pellicule de plastique qui protège le moteur.

# 1

## Montage de la barre de commande des lames

Aucune pièce requise

### Procédure

Montez la barre de commande des lames sur la partie supérieure du guidon (Figure 3).

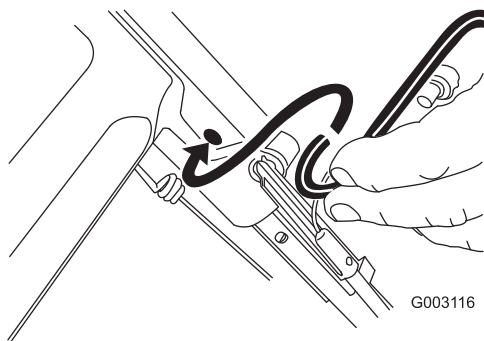


Figure 3

# 2

## Montage du guidon

Aucune pièce requise

### Procédure

#### **ATTENTION**

Vous risquez d'endommager les câbles et de rendre la machine dangereuse à utiliser si vous pliez ou dépliez mal le guidon.

- Veillez à ne pas endommager les câbles en pliant ou dépliant le guidon.
- Si un câble est endommagé, adressez-vous à un réparateur agréé.

1. Retirez les boutons du guidon sur le carter de la machine (Figure 4).

**Important:** Faites passer les câbles à l'extérieur des boutons pendant que vous montez le guidon.

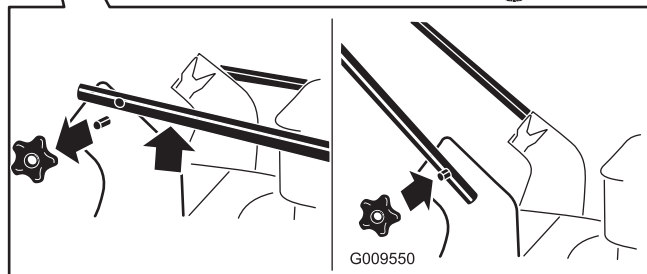
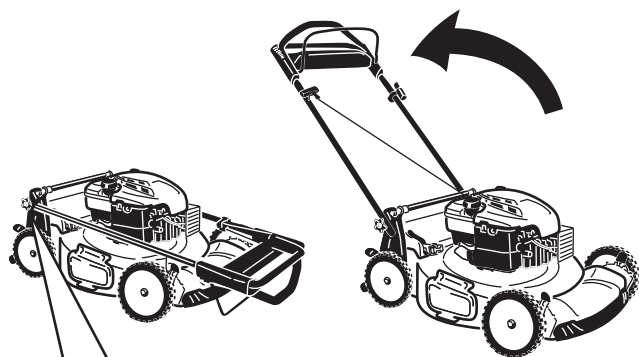


Figure 4

2. Placez le guidon en position d'utilisation.
3. Posez et serrez les boutons du guidon qui ont été retirés à l'étape 1.

# 3

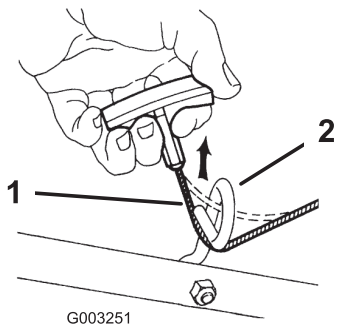
## Montage du câble du lanceur dans le guide

Aucune pièce requise

### Procédure

**Important:** Pour démarrer le moteur facilement et en toute sécurité chaque fois que vous utilisez la machine, installez le câble du lanceur dans le guide.

Faites passer le câble du lanceur dans le guide du lanceur sur le guidon (Figure 5).



**Figure 5**

1. Câble du lanceur                      2. Guide du lanceur

3. Essayez la jauge sur un chiffon propre.
4. Insérez la jauge au fond du goulot de remplissage, puis ressortez-la.
5. Observez le niveau d'huile indiqué par la jauge (Figure 6).
  - Si le niveau n'atteint pas le repère minimum sur la jauge, versez lentement une quantité d'huile suffisante dans le goulot de remplissage, attendez 3 minutes puis répétez les opérations 3 à 5 jusqu'à ce que le niveau d'huile atteigne le repère maximum.
  - Si le niveau d'huile dépasse le repère maximum, vidangez l'excédent d'huile pour faire redescendre le niveau au repère maximum. Reportez-vous à Vidange et remplacement de l'huile moteur (page 17).

# 4

## Plein d'huile moteur

### Aucune pièce requise

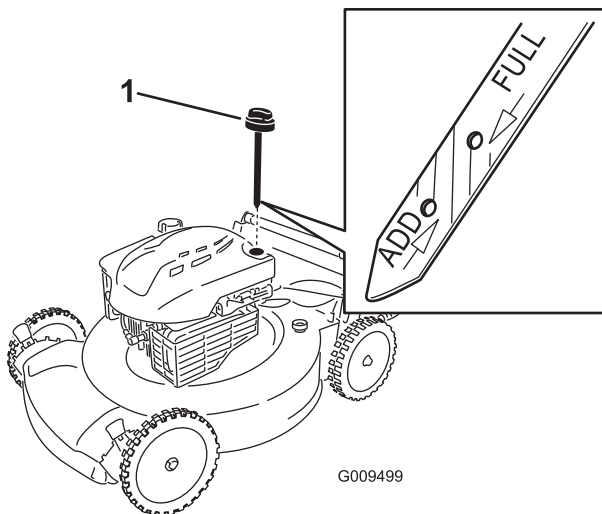
### Procédure

**Important:** À la livraison de la machine, le carter moteur est vide, mais un bidon d'huile moteur est fourni. Avant de mettre le moteur en marche, faites le plein d'huile moteur.

Remplissage max. : 0,59 l (20 oz), type : huile détergente SAE 30 de classe de service API SF, SG, SH, SJ, SL ou supérieure.

**Remarque:** Quand le carter moteur est vide, remplissez-le environ aux 3/4, puis procédez comme suit :

1. Garez la machine sur un sol plat et horizontal.
2. Dévissez le bouchon et sortez la jauge (Figure 6).



**Figure 6**

1. Jauge de niveau

**Important:** Si vous faites tourner le moteur alors que le niveau d'huile dans le carter est trop bas ou trop élevé, vous risquez d'endommager le moteur.

6. Revissez la jauge fermement en place.

**Important:** *Changez l'huile moteur après les 5 premières heures de fonctionnement, puis une fois par an Reportez-vous à Vidange et remplacement de l'huile moteur (page 17).*

# Vue d'ensemble du produit

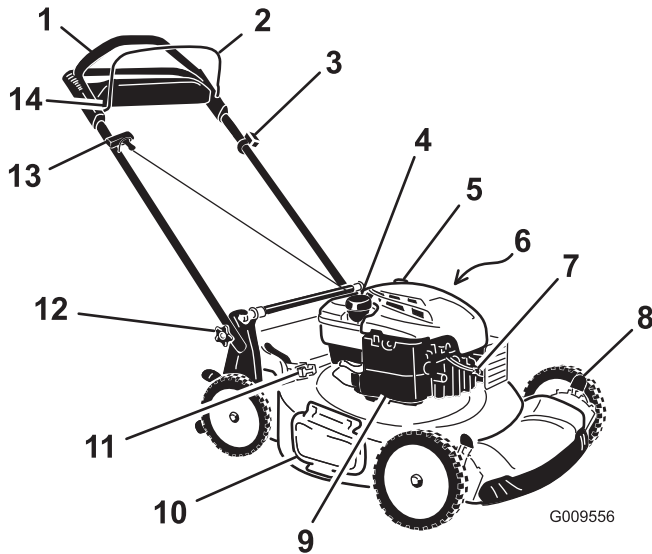


Figure 7

- |                                       |   |
|---------------------------------------|---|
| 1. Guidon                             | 8. Levier de hauteur de coupe (4)               |
| 2. Barre de commande des lames        | 9. Bougie                                       |
| 3. Commutateur d'allumage             | 10. Déflecteur d'éjection latérale              |
| 4. Bouchon de remplissage/jauge       | 11. Levier de commande de ramassage sur demande |
| 5. Bouchon du réservoir de carburant  | 12. Bouton du guidon (2)                        |
| 6. Raccord de lavage (non représenté) | 13. Poignée du lanceur                          |
| 7. Filtre à air                       | 14. Verrou de la barre de commande              |

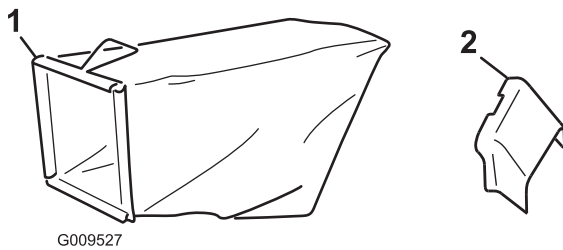


Figure 8

- |                |                     |
|----------------|---------------------|
| 1. Bac à herbe | 2. Éjecteur latéral |
|----------------|---------------------|

# Utilisation

## Remplissage du réservoir de carburant

### **⚠ DANGER**

L'essence est extrêmement inflammable et explosive. Un incendie ou une explosion causé(e) par l'essence peut vous brûler, ainsi que les personnes se tenant à proximité.

- Pour éviter que l'électricité statique n'enflamme l'essence, posez le récipient et/ou la machine sur le sol, pas dans un véhicule ou sur un support quelconque, avant de faire le plein.
- Faites le plein du réservoir de carburant à l'extérieur quand le moteur est froid. Essayez le carburant éventuellement répandu.
- Ne fumez jamais en manipulant de l'essence et tenez-vous à l'écart des flammes nues ou des sources d'étincelles.
- Conservez l'essence dans un récipient homologué, hors de la portée des enfants.

Remplissez le réservoir de carburant d'essence sans plomb ordinaire fraîche (ayant un indice d'octane égal ou supérieur à 87) de marque réputée (Figure 9).

**Remarque:** N'utilisez jamais de méthanol, d'essence contenant du méthanol ou plus de 10 % d'éthanol, sous peine d'endommager le circuit d'alimentation. Ne mélangez pas d'huile à l'essence.

**Important:** Pour réduire les problèmes de démarrage, ajoutez un stabilisateur à chaque plein et utilisez de l'essence stockée depuis moins d'un mois.



# Contrôle du niveau d'huile moteur

**Périodicité des entretiens:** À chaque utilisation ou une fois par jour

**Remarque:** Remplissage max. : 0,59 l (20 oz), type : huile détergente SAE 30 de classe de service API SF, SG, SH, SJ, SL ou supérieure.

1. Garez la machine sur un sol plat et horizontal.
2. Retirez la jauge (Figure 10).

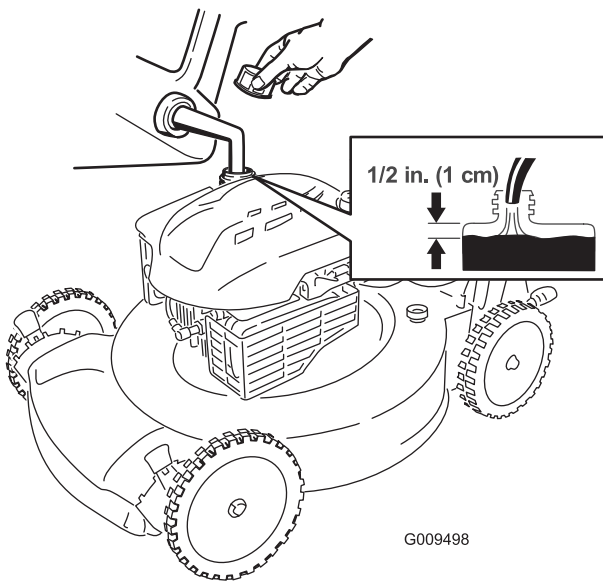


Figure 9

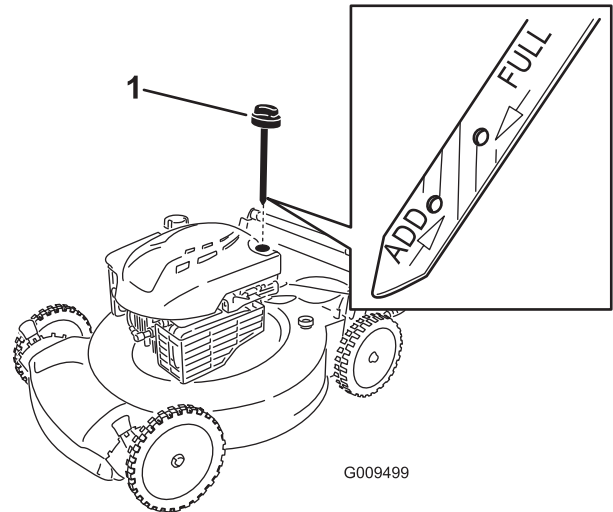


Figure 10

1. Jauge de niveau

3. Essuyez la jauge sur un chiffon propre.
4. Insérez la jauge au fond du goulot de remplissage, puis ressortez-la.
5. Observez le niveau d'huile indiqué par la jauge (Figure 10).
  - Si le niveau n'atteint pas le repère minimum sur la jauge, versez lentement une quantité d'huile suffisante dans le goulot de remplissage, patientez 3 minutes et répétez les opérations 3 à 5 jusqu'à ce que le niveau d'huile atteigne le repère **maximum** (Figure 10).
  - Si le niveau d'huile dépasse le repère maximum, vidangez l'excédent d'huile pour faire redescendre le niveau au repère maximum. Reportez-vous à Vidange et remplacement de l'huile moteur (page 17).

**Important:** Si vous faites tourner le moteur alors que le niveau d'huile dans le carter est trop bas ou trop élevé, vous risquez d'endommager le moteur.

6. Revissez la jauge fermement en place.

## Réglage de la hauteur de coupe

### ⚠ ATTENTION

Pendant le réglage de la hauteur de coupe, vous risquez de toucher la lame en mouvement et de vous blesser gravement.

- Arrêtez le moteur et attendez l'arrêt de toutes les pièces mobiles.
- Ne mettez pas les doigts sous le carter du tablier de coupe quand vous réglez la hauteur de coupe.

### ⚠ PRUDENCE

Si le moteur vient de tourner, le silencieux est très chaud et risque de vous brûler gravement. Ne vous approchez pas du silencieux encore chaud.

Choisissez la hauteur de coupe voulue. Réglez les roues avant à la même hauteur que les roues arrière (Figure 11).

**Remarque:** Pour élever la machine, déplacez les leviers de hauteur de coupe avant vers l'arrière, et les leviers de hauteur de coupe arrière vers l'avant. Pour abaisser la machine, déplacez les leviers de hauteur de coupe avant vers l'avant, et les leviers de hauteur de coupe arrière vers l'arrière.

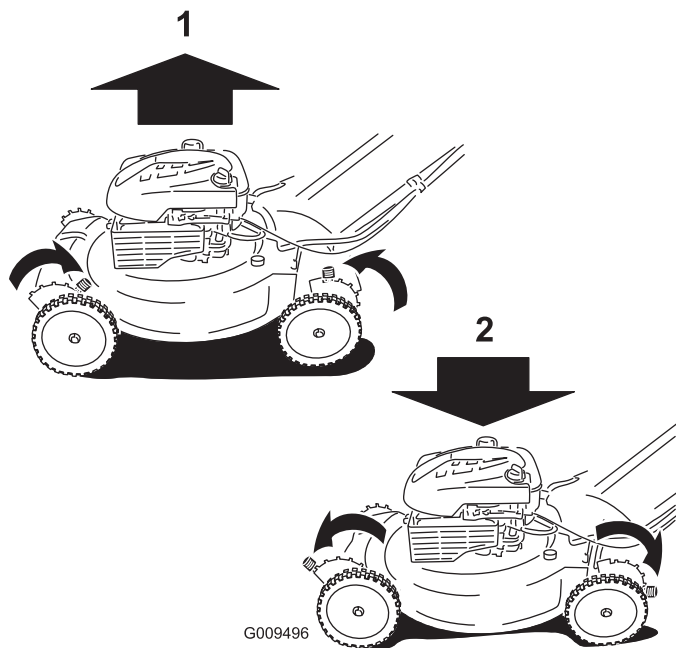


Figure 11

1. Élever la machine

2. Abaisser la machine

**Remarque:** Le tablier de coupe peut être réglé aux hauteurs suivantes : 25 mm (1 po), 35 mm (1-3/8 po), 44 mm (1-3/4 po), 54 mm (2-1/8 po), 64 mm (2-1/2 po), 73 mm (2-7/8 po), 83 mm (3-1/4 po), 92 mm (3-5/8 po) et 102 mm (4 po).

## Démarrage du moteur

**Remarque:** Vous pouvez démarrer le moteur soit depuis la position de conduite (Figure 12), soit au niveau du moteur (avec la poignée du lanceur hors du guide du lanceur).

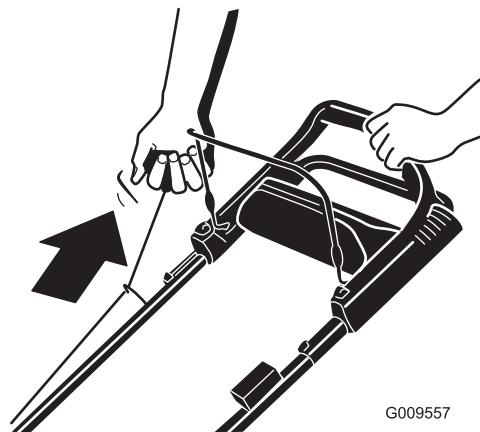


Figure 12

Tirez lentement la poignée du lanceur jusqu'à ce que vous sentiez une résistance, puis tirez vigoureusement. Laissez le lanceur se rétracter lentement jusqu'à la poignée.

**Remarque:** Si le moteur ne démarre pas après plusieurs tentatives, contactez un dépositaire réparateur agréé.

## Utilisation de l'autopropulsion

Pour actionner l'autopropulsion, il vous suffit d'avancer, les mains posées sur la partie supérieure du guidon et les coudes serrés; la machine avance automatiquement à votre rythme (Figure 13).

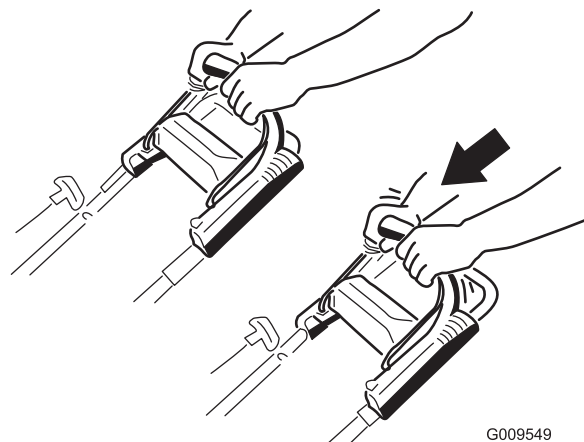


Figure 13

**Remarque:** Si vous avez des difficultés à faire reculer la machine après avoir utilisé l'autopropulsion, arrêtez de marcher, laissez vos mains en place et laissez la machine rouler en avant sur quelques centimètres pour désengager la transmission aux roues. Vous pouvez aussi essayer de

passer juste sous la poignée Personal Pace pour atteindre la poignée en métal et pousser la machine en avant de quelques centimètres (pouces). Si la machine a toujours des difficultés à reculer, contactez un dépositaire-réparateur agréé.

## Arrêt du moteur

Pour arrêter le moteur, appuyez sur le commutateur d'allumage et maintenez-le enfoncé (Figure 7) jusqu'à l'arrêt du moteur.

**Important:** Lorsque vous relâchez la barre de commande, la lame doit s'arrêter en moins de 3 secondes. Si ce n'est pas le cas, cessez immédiatement d'utiliser la machine et adressez-vous à un dépositaire-réparateur agréé.

## Débrayage de la lame

La lame ne tourne pas automatiquement quand le moteur démarre. Il faut engager la lame pour tondre.

1. Tirez le verrou de la barre de commande en arrière (Figure 14).

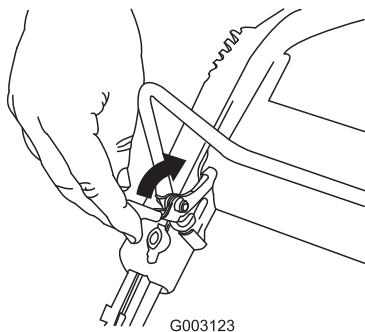


Figure 14

2. Serrez la barre de commande de la lame contre le guidon (Figure 15).

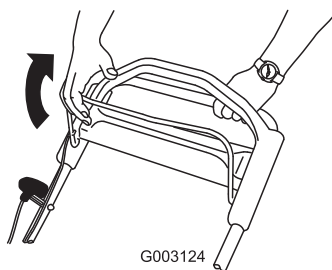


Figure 15

3. Maintenez la barre de commande des lames contre le guidon (Figure 16).



Figure 16

## Désengagement des lames

Relâchez la barre de commande de la lame (Figure 17).

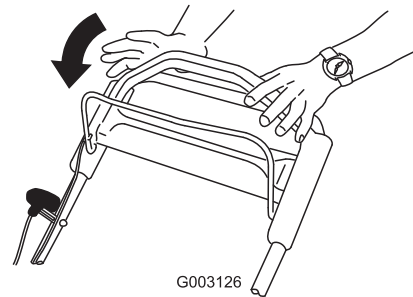


Figure 17

**Important:** Lorsque vous relâchez la barre de commande, la lame doit s'arrêter en moins de 3 secondes. Si ce n'est pas le cas, cessez immédiatement d'utiliser la machine et adressez-vous à un dépositaire-réparateur agréé.

## Contrôle du fonctionnement de l'embrayage du frein de lame

Vérifiez la barre de commande avant chaque utilisation pour vous assurer du bon fonctionnement du débrayage du frein de la lame.

## Utilisation du bac à herbe

**Périodicité des entretiens:** À chaque utilisation ou une fois par jour

Vous pouvez utiliser le bac à herbe pour effectuer un contrôle supplémentaire du système de débrayage des freins de lames.

1. Placez le bac vide sur la machine.
2. Mettez le moteur en marche.
3. Engagez la lame.

**Remarque:** Le bac doit commencer à se gonfler, ce qui indique que la lame est engagée et a commencé à tourner.

4. Relâchez la barre de commande des lames.

**Remarque:** Si le bac ne se gonfle pas immédiatement, cela signifie que la lame est encore en train de tourner. Le système de débrayage des freins de lames est peut-être défectueux et, si vous n'en tenez pas compte, vous risquez de compromettre le fonctionnement sûr de la machine. Demandez à un dépositaire réparateur agréé de contrôler et de réviser la machine.

5. Arrêtez le moteur et attendez l'arrêt de toutes les pièces mobiles.

## Utilisation sans le bac à herbe

1. Amenez la machine sur une surface revêtue à l'abri du vent.
2. Réglez les 4 roues à la hauteur de coupe de 83 mm (3-1/4 po).
3. Roulez en boule une demi-feuille de papier journal (environ 7,6 cm ou 3 pouces de diamètre) et placez-la sous le tablier de coupe.
4. Placez la boule de papier journal à 13 cm (5 po) devant la machine.
5. Mettez le moteur en marche.
6. Engagez la lame.
7. Relâchez la barre de commande des lames.
8. Poussez immédiatement la machine sur la boule de papier journal.
9. Arrêtez le moteur et attendez l'arrêt de toutes les pièces mobiles.
10. Passez devant la machine et examinez la boule de papier journal.

**Remarque:** Si elle n'est pas passée sous la machine, répétez les opérations 4 à 10.

11. Si la boule est déroulée ou déchiquetée, cela signifie que la lame ne s'est pas arrêtée correctement et que la machine n'est pas sûre. Adressez-vous à un réparateur agréé.

## Recyclage de l'herbe coupée

À la livraison, votre machine est prête à recycler l'herbe et les feuilles coupées pour nourrir votre pelouse.

Si le bac à herbe est monté sur la machine et si le levier de ramassage sur demande est en position de ramassage, placez le levier en position de recyclage; voir Utilisation du levier de ramassage sur demande (page 13) avant de procéder au recyclage des déchets d'herbe. Si l'éjecteur latéral est installé, déposez-le avant de procéder au recyclage de l'herbe; voir Retrait de l'éjecteur latéral (page 14).

## Ramassage de l'herbe coupée

Utilisez le bac à herbe pour recueillir l'herbe et les feuilles coupées à la surface de la pelouse.

### ⚠ ATTENTION

**Si le bac à herbe est usé, des gravillons ou autres débris similaires risquent d'être projetés vers l'utilisateur ou des personnes à proximité, et de causer des blessures graves ou mortelles.**

**Examinez fréquemment le bac. S'il est endommagé, remplacez-le par un bac Toro neuf d'origine.**

Si l'éjecteur latéral est installé, déposez-le avant de procéder au ramassage de l'herbe; voir Retrait de l'éjecteur latéral (page 14). Si le levier de ramassage sur demande est en position de recyclage, placez-le en position de ramassage; voir Utilisation du levier de ramassage sur demande (page 13).

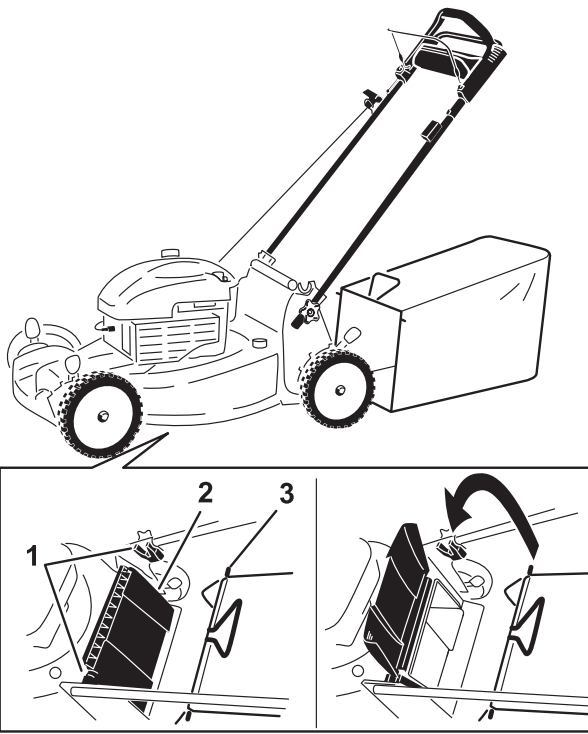
### ⚠ ATTENTION

**La lame est tranchante et vous risquez de vous blesser gravement à son contact.**

**Coupez le moteur et attendez l'arrêt de toutes les pièces mobiles avant de quitter la position de conduite.**

## Mise en place du bac à herbe

1. Soulevez le déflecteur arrière et gardez-le dans cette position (Figure 18).



**Figure 18**

1. Crans
2. Déflecteur arrière
3. Ergot de bac à herbe (2)

2. Montez le bac à herbe en veillant à placer les ergots dans les crans du guidon (Figure 18).
3. Abaissez le déflecteur arrière.

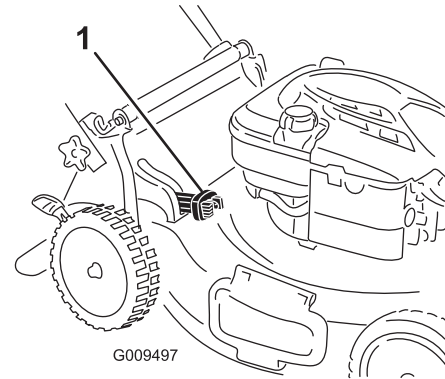
## Retrait du bac à herbe

Pour retirer le bac à herbe, inversez la procédure de montage décrite plus haut.

## Utilisation du levier de ramassage sur demande

La fonction de ramassage sur demande vous permet de ramasser ou de recycler les déchets d'herbe et de feuilles quand le bac à herbe est monté sur la machine.

- Pour ramasser les déchets d'herbe et de feuilles, appuyez sur le bouton du levier de ramassage sur demande et déplacez le levier complètement en avant jusqu'à ce que le bouton ressorte (Figure 19).

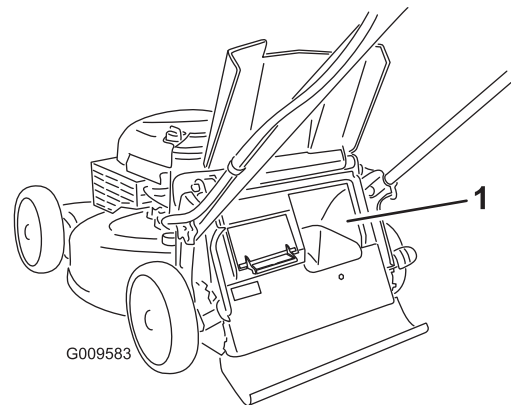


**Figure 19**

1. Levier de ramassage sur demande (position de ramassage)

- Pour recycler les déchets d'herbe et de feuilles, appuyez sur le bouton du levier et déplacez le levier en arrière jusqu'à ce que le bouton ressorte.

**Important:** Pour que le ramassage s'effectue correctement, enlevez les déchets d'herbe et autres qui se trouvent sur le volet de ramassage sur demande et l'ouverture (Figure 20) avant de changer la position du levier de ramassage sur demande.



**Figure 20**

1. Nettoyer ici

## **⚠ ATTENTION**

La lame est tranchante et vous risquez de vous blesser gravement à son contact. De plus, si l'ouverture d'éjection arrière n'est pas fermée, des gravillons ou autres débris similaires peuvent être projetés vers l'utilisateur ou des personnes à proximité, et causer des blessures graves ou mortelles.

Arrêtez le moteur et attendez l'arrêt complet des pièces mobiles avant de nettoyer le volet et l'ouverture de ramassage sur demande.

## **Éjection latérale de l'herbe coupée**

Utilisez l'éjection latérale quand vous tondez de l'herbe très haute.

Si le bac à herbe est monté sur la machine et si le levier de ramassage sur demande est en position de ramassage, placez le levier en position de recyclage; voir Utilisation du levier de ramassage sur demande (page 13).

## **⚠ ATTENTION**

La lame est tranchante et vous risquez de vous blesser gravement à son contact.

Coupez le moteur et attendez l'arrêt de toutes les pièces mobiles avant de quitter la position de conduite.

## **Pose de l'éjecteur latéral**

Soulevez le déflecteur latéral et montez l'éjecteur latéral (Figure 21).



**Figure 21**

## **Retrait de l'éjecteur latéral**

Pour enlever l'éjecteur latéral, soulevez le déflecteur latéral, enlevez l'éjecteur et abaissez le déflecteur.



# Conseils d'utilisation

## Conseils de tonte généraux

- Débarrassez la zone de travail des branches, pierres, câbles, bâtons et autres débris qui pourraient être ramassés et projetés par la lame.
- Évitez de heurter des obstacles avec la lame. Ne passez jamais intentionnellement sur un objet quel qu'il soit.
- Si la machine a heurté un obstacle ou commence à vibrer, coupez immédiatement le moteur, débranchez la bougie et vérifiez si la machine n'est pas endommagée.
- Pour de meilleurs résultats, montez une lame neuve au début de la saison de tonte.
- Remplacez la lame dès que nécessaire par une lame Toro.

## La tonte

- Ne tondez l'herbe que sur un tiers de sa hauteur à chaque fois. N'utilisez pas une hauteur de coupe inférieure à 54 mm (2-1/8 po), sauf si l'herbe est clairsemée ou à la fin de l'automne quand la pousse commence à ralentir. Reportez-vous à Réglage de la hauteur de coupe (page 10).
- Si l'herbe fait plus de 15 cm (6 po), effectuez d'abord un premier passage à vitesse réduite à la hauteur de coupe la plus haute. Effectuez ensuite un deuxième passage à une hauteur de coupe inférieure pour obtenir une coupe plus esthétique. L'herbe trop haute risque d'obstruer la machine et de faire caler le moteur.
- Ne tondez que si l'herbe ou les feuilles sont sèches. L'herbe et les feuilles humides ont tendance à s'agglomérer sur la pelouse et risquent d'obstruer la machine et de faire caler le moteur.

### **⚠ ATTENTION**

**En travaillant sur l'herbe ou les feuilles humides, vous risquez de glisser et de vous blesser gravement si vous touchez la lame en tombant. Ne tondez que si l'herbe est sèche.**

- Soyez conscient des risques d'incendie par temps très sec, respectez tous les avertissements locaux relatifs aux incendies, et ne laissez pas l'herbe et les feuilles sèches s'accumuler sur la machine.
- Alternez la direction de la tonte. Cela permet de disperser les déchets plus uniformément et d'obtenir une fertilisation plus homogène.
- Si l'aspect de la pelouse tondu n'est pas satisfaisant, essayez une ou plusieurs des solutions suivantes :
  - Remplacez la lame ou faites-la aiguiser.
  - Tondez en avançant plus lentement.
  - Augmentez la hauteur de coupe.

- Tondez plus souvent.
- Empiétez sur les passages précédents pour ne tondre qu'une largeur de bande réduite.
- Réglez la hauteur de coupe des roues avant un cran en dessous de celle des roues arrière. Par exemple, réglez les roues avant à 54 mm (2-1/8 po) et les roues arrière à 64 mm (2-1/2 po).

## Hachage de feuilles

- Après la tonte, 50 % de la pelouse doit être visible sous la couche de feuilles hachées. Vous devrez peut-être repasser plusieurs fois sur les feuilles.
- Si la couche de feuilles fait plus de 13 cm (5 po) d'épaisseur, réglez les roues avant 1 ou 2 crans plus haut que les roues arrière.
- Ralentissez la vitesse de déplacement si les feuilles ne sont pas hachées assez menues.

# Entretien

**Remarque:** Les côtés gauche et droit de la machine sont déterminés d'après la position de conduite.

## Programme d'entretien recommandé

Périodicité d'entretien	Procédure d'entretien
Après les 5 premières heures de fonctionnement	<ul style="list-style-type: none"><li>• Vidangez et remplacez l'huile moteur.</li></ul>
À chaque utilisation ou une fois par jour	<ul style="list-style-type: none"><li>• Contrôlez le niveau d'huile moteur.</li><li>• Vérifiez que la lame s'arrête dans les 3 secondes suivant le relâchement de la barre de commande de la lame.</li><li>• Vérifiez le fonctionnement du débrayage du frein de lame.</li><li>• Enlevez l'herbe coupée et autres débris accumulés sous la machine.</li></ul>
Toutes les 25 heures	<ul style="list-style-type: none"><li>• Remplacez le filtre à air; remplacez-le plus fréquemment si l'atmosphère est très poussiéreuse.</li><li>• Nettoyez la protection du débrayage de frein de lame.</li></ul>
Avant le remisage	<ul style="list-style-type: none"><li>• Vidangez le réservoir de carburant avant le remisage et avant les réparations qui le nécessitent.</li></ul>
Une fois par an	<ul style="list-style-type: none"><li>• Vidangez et remplacez l'huile moteur.</li><li>• Remplacez la lame ou faites-la aiguiser (plus souvent si elle s'émousse rapidement).</li><li>• Nettoyez le système de refroidissement; nettoyez-le plus souvent si vous travaillez dans une atmosphère poussiéreuse. Reportez-vous au manuel du moteur.</li><li>• Reportez-vous au manuel d'utilisation du moteur pour toutes procédures d'entretien annuelles supplémentaires.</li></ul>

**Important:** Reportez-vous au manuel d'utilisation du moteur pour toutes procédures d'entretien supplémentaires.

**Remarque:** Vous pouvez vous procurer des pièces de rechange chez n'importe quel dépositaire-réparateur agréé (rendez-vous sur [www.toro.com](http://www.toro.com) pour trouver le dépositaire le plus proche) ou en consultant le site [www.shoptoro.com](http://www.shoptoro.com).

## Préparation à l'entretien

1. Arrêtez le moteur et attendez l'arrêt de toutes les pièces mobiles.
2. Débranchez la bougie (Figure 22) avant de procéder à un quelconque entretien.

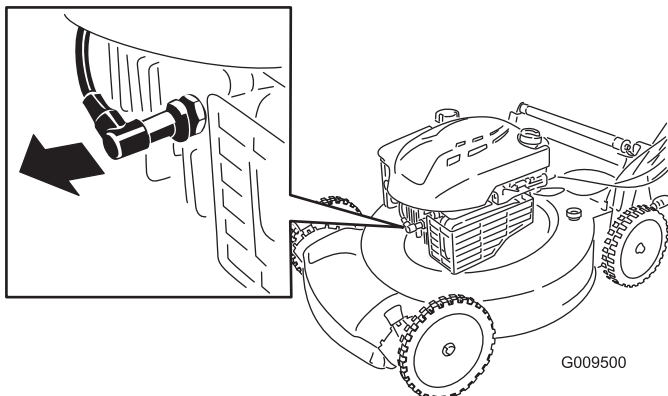


Figure 22

moteur en marche jusqu'à ce qu'il s'arrête faute de carburant. Si vous ne pouvez pas attendre que le moteur s'arrête par manque de carburant, utilisez une pompe manuelle pour vider le reste de carburant. Basculez toujours la machine sur le côté, avec la jauge en bas.

3. Lorsque l'entretien est terminé, rebranchez la bougie.

**Important:** Avant de basculer la machine pour vidanger l'huile ou remplacer la lame, laissez le

# Remplacement du filtre à air

**Périodicité des entretiens:** Toutes les 25 heures

1. Ouvrez le couvercle du filtre à air avec un tournevis (Figure 23)

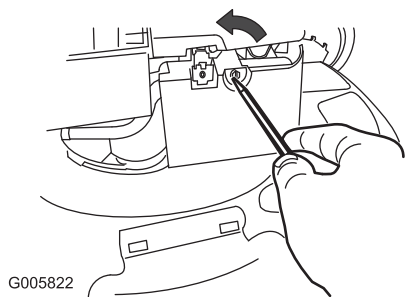


Figure 23

2. Remplacez le filtre à air (Figure 24).

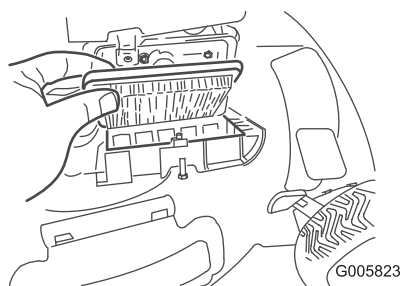


Figure 24

3. Remettez le couvercle en place.

# Vidange et remplacement de l'huile moteur

**Périodicité des entretiens:** Après les 5 premières heures de fonctionnement

Une fois par an

Faites tourner le moteur pendant quelques minutes avant la vidange pour réchauffer l'huile. L'huile chaude s'écoule plus facilement et entraîne plus d'impuretés.

1. Garez la machine sur un sol plat et horizontal.
2. Reportez-vous à Préparation à l'entretien (page 16).
3. Retirez la jauge (Figure 25).

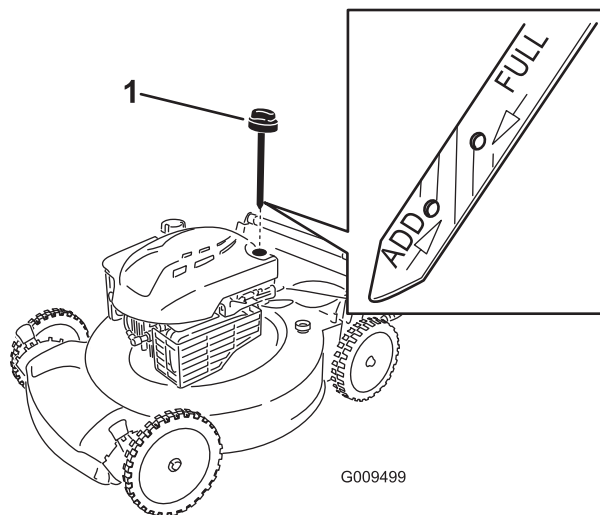


Figure 25

1. Jauge de niveau

4. Inclinez la machine sur le côté (jauge en bas) pour vidanger l'huile usagée par le goulot de remplissage (Figure 26).

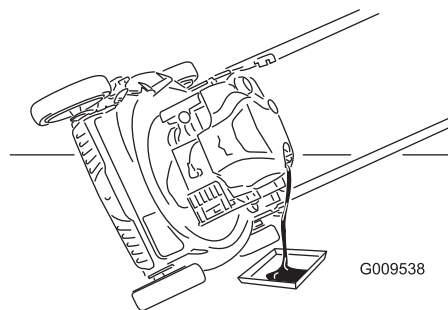


Figure 26

5. Redressez la machine à la position normale d'utilisation.
6. Versez environ 3/4 de la capacité d'huile totale dans le carter moteur.

**Remarque:** Remplissage max. : 0,59 l (20 oz), type : huile détergente SAE 30 de classe de service API SF, SG, SH, SJ, SL ou supérieure.

7. Attendez 3 minutes que l'huile se stabilise dans le carter.
8. Essayez la jauge sur un chiffon propre.
9. Insérez la jauge au fond du goulot de remplissage, puis ressortez-la.
10. Observez le niveau d'huile indiqué par la jauge (Figure 25).
  - Si le niveau n'atteint pas le repère minimum sur la jauge, versez lentement une petite quantité d'huile dans le goulot de remplissage et répétez les opérations 8 à 10 jusqu'à ce que le niveau d'huile atteigne le repère **maximum**.
  - Si le niveau d'huile dépasse le repère maximum, vidangez l'excédent d'huile pour faire redescendre le niveau au repère maximum.

**Important:** Si vous faites tourner le moteur alors que le niveau d'huile dans le carter est trop bas ou trop élevé, vous risquez d'endommager le moteur.

11. Revissez la jauge fermement en place.
12. Recyclez l'huile usagée correctement.

## Remplacement de la lame

**Périodicité des entretiens:** Une fois par an

**Important:** Vous aurez besoin d'une clé dynamométrique pour monter la lame correctement. Si vous n'en possédez pas ou si vous ne vous sentez pas capable d'effectuer cette procédure, adressez-vous à un réparateur agréé.

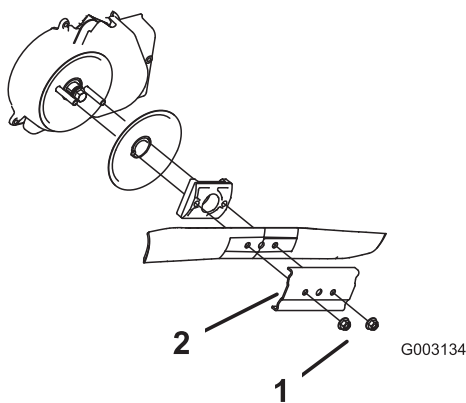
Examinez l'état de la lame chaque fois que le réservoir d'essence est vide. Si la lame est endommagée ou fêlée, remplacez-la immédiatement. Si la lame est émoussée ou ébréchée, faites-la aiguiser et équilibrer ou remplacez-la.

### ⚠ ATTENTION

La lame est tranchante et vous risquez de vous blesser gravement à son contact.

Portez des gants pour effectuer l'entretien de la lame.

1. Débranchez le fil de la bougie. Reportez-vous à Préparation à l'entretien (page 16).
2. Basculez la machine sur le côté, avec la jauge en bas.
3. Retirez les 2 écrous de la lame et le renfort (Figure 27).



**Figure 27**

1. Écrous de lame
2. Renfort

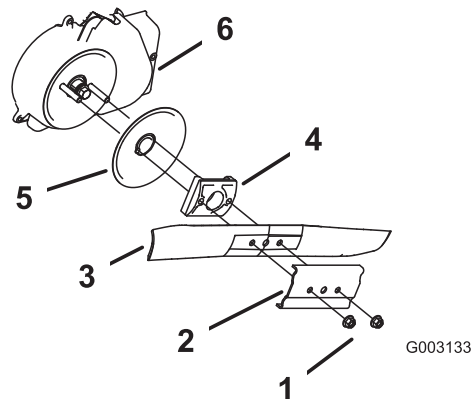
4. Déposez la lame (Figure 27).
5. Posez la nouvelle lame (Figure 27).
6. Reposez le renfort déposé précédemment.
7. Posez les écrous de la lame et serrez-les à un couple de 20 à 37 Nm (15 à 27 pi-lb).

## Nettoyage de la protection du débrayage de frein de lame

**Périodicité des entretiens:** Toutes les 25 heures

Nettoyez la protection de l'embrayage du frein de lame une fois par an pour empêcher la lame de caler en cours de tonte.

1. Débranchez le fil de la bougie. Reportez-vous à Préparation à l'entretien (page 16).
2. Basculez la machine sur le côté, avec la jauge en bas.
3. Retirez les 2 écrous de la lame et le renfort (Figure 28).



**Figure 28**

1. Écrous de lame
  2. Renfort
  3. Lame
  4. Dispositif d'entraînement de la lame
  5. Disque
  6. Protection du débrayage de frein de lame
- 
4. Déposez la lame (Figure 28).
  5. Déposez le dispositif d'entraînement de la lame et le disque (Figure 28).
  6. Déposez la protection de l'embrayage du frein de lame (Figure 28).
  7. Enlevez les débris qui se trouvent à l'intérieur du déflecteur et sur les pièces qui l'entourent à la brosse ou à l'air comprimé.
  8. Reposez la protection de l'embrayage du frein de lame déposée précédemment.
  9. Reposez le dispositif d'entraînement de la lame et le disque déposés précédemment.
  10. Reposez la lame et le renfort déposés précédemment (Figure 28).
  11. Posez les écrous de la lame et serrez-les à un couple de 20 à 37 Nm (15 à 27 pi-lb).

## Réglage du câble d'autopropulsion

Lorsque vous installez un nouveau câble de commande d'autopropulsion ou que l'autopropulsion est dérégulée, vous devez régler le câble de commande d'autopropulsion.

1. Desserrez l'écrou du support de guidage du câble (Figure 29).

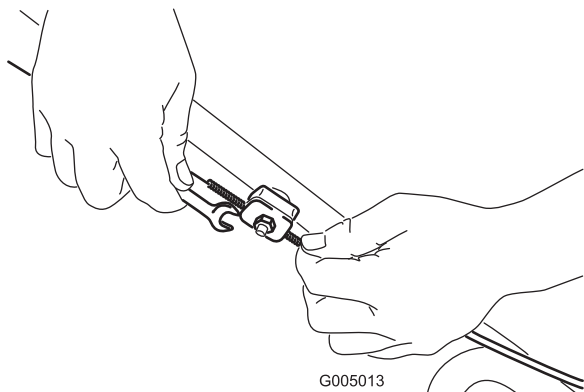


Figure 29

2. Tirez la gaine du câble vers le bas (vers la machine) jusqu'à ce qu'il n'y ait plus de mou dans le câble (Figure 30).

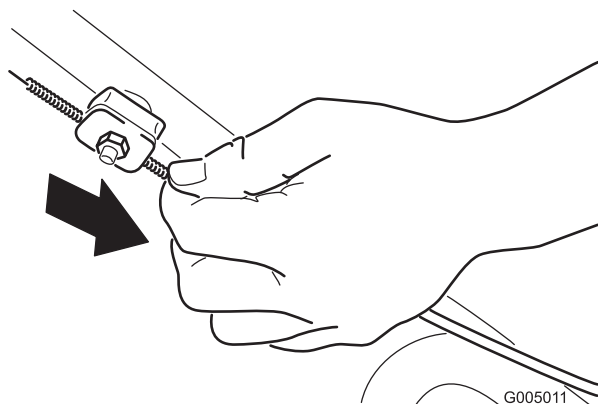


Figure 30

3. Serrez l'écrou du support de guidage du câble.

## Nettoyage du dessous de la machine

**Périodicité des entretiens:** À chaque utilisation ou une fois par jour

### ⚠ ATTENTION

**Des débris peuvent être projetés de sous la machine.**

- Portez une protection oculaire.
- Restez à la position de conduite (derrière le guidon) quand le moteur est en marche.
- Ne laissez personne pénétrer dans la zone de travail.

Pour obtenir des résultats optimaux, nettoyez rapidement la machine après la tonte.

1. Abaissez la machine à la hauteur de coupe la plus basse. Reportez-vous à Réglage de la hauteur de coupe (page 10).
2. Placez la machine sur une surface plane et revêtue.
3. Lavez le dessous du déflecteur arrière au point où l'herbe coupée passe du carter au bac de ramassage.

**Remarque:** Lavez le côté ramassage sur demande aux positions avant et arrière maximales.

4. Branchez un tuyau d'arrosage, relié à une arrivée d'eau, au raccord de lavage du carter de la machine (Figure 31).

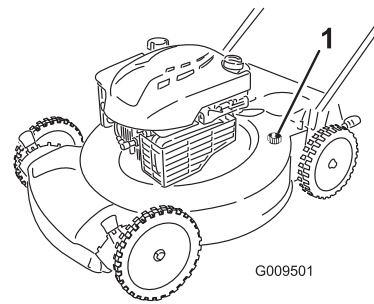


Figure 31

1. Raccord de lavage

5. Ouvrez l'arrivée d'eau.
6. Mettez le moteur en marche et laissez-le tourner jusqu'à ce qu'il ne reste plus d'herbe sous le carter de la machine.
7. Arrêtez le moteur.
8. Coupez l'eau et débranchez le tuyau d'arrosage du raccord de lavage.
9. Mettez le moteur en marche et laissez-le tourner quelques minutes pour sécher le carter et l'empêcher de rouiller.
10. Laissez refroidir le moteur avant de ranger la machine dans un local fermé.

# Remisage

Remisez la machine dans un local frais, propre et sec.

## Préparation de la machine au remisage

### ⚠ ATTENTION

Les vapeurs d'essence sont explosives.

- Ne conservez pas l'essence plus d'un mois.
- Ne remisez pas la machine dans un local fermé où se trouve une flamme nue.
- Laissez refroidir le moteur avant de remiser la machine.

1. Lors du dernier plein de la saison, ajoutez un stabilisateur au carburant selon les instructions du constructeur du moteur.
2. Débarrassez-vous correctement du carburant inutilisé. Recyclez-le conformément à la réglementation locale ou utilisez-le dans une voiture.

**Remarque:** La présence de carburant trop vieux dans le réservoir est la principale cause des problèmes de démarrage. Ne conservez pas le carburant non traité plus de 30 jours et le carburant traité plus de 90 jours.

3. Laissez tourner le moteur de la machine jusqu'à ce qu'il s'arrête faute de carburant.
4. Remettez le moteur en marche.
5. Laissez tourner le moteur jusqu'à ce qu'il s'arrête. Le moteur est suffisamment sec lorsqu'il n'y a plus moyen de le faire démarrer.
6. Débranchez le fil de la bougie.
7. Enlevez la bougie et versez 30 ml (1 oz) d'huile dans l'ouverture laissée par la bougie. Tirez ensuite la poignée du lanceur lentement à plusieurs reprises pour bien répartir l'huile à l'intérieur du cylindre et empêcher celui-ci de rouiller pendant le remisage de la machine.
8. Remettez la bougie sans la serrer.
9. Serrez tous les écrous, boulons et vis.

## Pliage du guidon

### ⚠ ATTENTION

Vous risquez d'endommager les câbles et de rendre la machine dangereuse à utiliser si vous pliez ou dépliez mal le guidon.

- Veillez à ne pas endommager les câbles en pliant ou dépliant le guidon.
- Si un câble est endommagé, adressez-vous à un réparateur agréé.

1. Desserrez les boutons du guidon jusqu'à ce que la moitié supérieure bouge librement.
2. Pliez la moitié supérieure du guidon en avant de la manière indiquée (Figure 32).

**Important:** Faites passer les câbles à l'extérieur des boutons pendant que vous pliez le guidon.

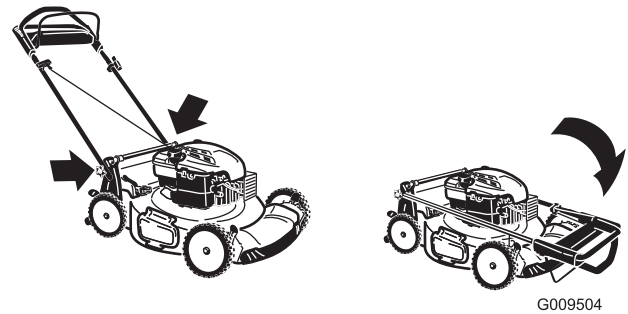


Figure 32

3. Pour déplier le guidon, inversez la procédure décrite plus haut.

## Remise en service après remisage

1. Contrôlez et resserrez toutes les fixations.
2. Retirez la bougie et faites tourner le moteur rapidement à l'aide du lanceur pour éliminer l'excédent d'huile dans le cylindre.
3. Montez et serrez la bougie à 20 Nm (15 pi-lb) à l'aide d'une clé dynamométrique.
4. Procédez aux entretiens requis; voir Entretien (page 16).
5. Contrôlez le niveau d'huile moteur; voir Contrôle du niveau d'huile moteur (page 9).
6. Remplissez le réservoir de carburant d'essence neuve; voir Remplissage du réservoir de carburant (page 8).
7. Branchez le fil de la bougie.



**Remarques:**



## La garantie intégrale Toro

Une garantie intégrale de 2 ans (garantie limitée de 45 jours pour usage commercial)

## Garantie de démarrage GTS Toro

Une garantie intégrale de 3 ans (ne s'applique pas à l'usage commercial)

Recycler® de 56 cm (22 po)  
Déchiqueteuse/collecteur de 50,8 cm  
(20 po)

Tondeuses autotractées

### Conditions et produits couverts

The Toro Company et sa filiale Toro Warranty Company, en vertu d'un accord mutuel, s'engagent conjointement à réparer le produit Toro ci-dessous s'il est employé pour un usage résidentiel\*, s'il présente un défaut de matériaux ou de fabrication ou s'il cesse de fonctionner par suite de la défaillance d'un composant; ou si le moteur Toro GTS (Guaranteed to Start - Démarrage garanti) ne démarre pas à la première ou à la deuxième tentative au lanceur, à condition que l'entretien courant requis dans le *Manuel de l'utilisateur* ait été effectué.

Cette garantie couvre le coût des pièces et de la main-d'œuvre, mais le transport est à votre charge.

Durées de la garantie à compter de la date d'achat :

Produits	Période de garantie
Recycler de 22 pouces et déchiqueteuse/collecteur de 20 pouces et accessoires	Garantie intégrale de 2 ans
GTS (démarrage garanti)	Garantie intégrale de 3 ans
Moteur	Garantie intégrale de 3 ans
Batterie	Garantie intégrale de 1 an

### Garantie limitée pour usage commercial\*

Les produits Toro à moteur à essence utilisés à des fins commerciales, par des institutions ou donnés en location sont couverts contre tout défaut de fabrication ou de matériau pendant une période de 45 jours. Les défaillances de composants dues à une usure normale ne sont pas couvertes par cette garantie.

La garantie de démarrage Toro GTS ne s'applique pas si le produit est utilisé à des fins commerciales.\*

### Comment faire intervenir la garantie?

Si vous pensez que votre produit Toro présente un défaut de fabrication ou s'il ne démarre plus après un ou deux essais effectués par n'importe quel adulte physiquement apte, suivez la procédure ci-dessous :

1. Demandez à un dépositaire ou réparateur Toro agréé de prendre en charge votre produit. Pour trouver le dépositaire le plus proche, consultez les *Pages Jaunes* (sous « Tondeuses à gazon ») ou rendez-vous sur notre site web à [www.Toro.com](http://www.Toro.com). Vous pouvez aussi appeler les numéros indiqués au point 3 pour consulter notre système permanent de localisation des dépositaires Toro.
2. Lorsque vous vous rendez chez le réparateur, apportez le produit et une preuve d'achat (reçu). Le dépositaire-réparateur diagnostiquera le problème et déterminera s'il est couvert par la garantie.
3. Si, pour une raison quelconque, vous n'êtes pas satisfait du diagnostic de votre réparateur ou des conseils prodigués, n'hésitez pas à nous contacter à l'adresse suivante :

Customer Care Department, RLC Division  
The Toro Company  
8111 Lyndale Avenue South  
Bloomington, MN 55420-1196, États-Unis  
Numéro vert : 866-214-9807 (aux États-Unis)  
Numéro vert : 866-214-9808 (au Canada)

### Responsabilités du propriétaire

L'entretien de votre produit Toro doit être conforme aux procédures décrites dans le *Manuel de l'utilisateur*. Cet entretien courant est à vos frais, qu'il soit effectué par vous-même ou par un dépositaire-réparateur.

### Autres pays que les États-Unis et le Canada

Pour les produits Toro exportés des États-Unis ou du Canada, demandez à votre distributeur (dépositaire) Toro la police de garantie applicable dans votre pays, région ou état. Si, pour une raison quelconque, vous n'êtes pas satisfait des services de votre distributeur, ou si vous avez du mal à vous procurer les informations de garantie, adressez-vous à l'importateur Toro. En dernier recours, adressez-vous à Toro Warranty Company.

\*L'usage résidentiel normal désigne l'utilisation du produit sur le terrain où se trouve votre domicile. L'utilisation dans plusieurs lieux ou par des institutions ou la location est considérée comme un usage commercial, couvert par la garantie commerciale.

### Ce que la garantie ne couvre pas

Il n'existe aucune autre garantie expresse, à part la garantie spéciale du système antipollution et du moteur pour certains produits. Cette garantie expresse ne couvre pas :

- Les frais normaux d'entretien et de remplacement de pièces, telles que les filtres, le carburant, les lubrifiants, les changements d'huile, les bougies, les filtres à air, l'affûtage des lames, les lames usées, le réglage des câbles/de la tringlerie ou le réglage des freins et de l'embrayage.
- Les produits ou pièces ayant subi des modifications ou un usage abusif, et nécessitant un remplacement ou une réparation en raison d'un accident ou d'un défaut d'entretien.
- Les réparations requises en raison de l'utilisation de carburant non frais (vieux de plus d'un mois) ou d'une mauvaise préparation de la machine avant toute période de non utilisation de plus d'un mois.
- Les frais de prise à domicile et de livraison.
- Tout dégât dû à un usage abusif, à un mauvais traitement ou à des accidents.
- Les réparations ou tentatives de réparation par quiconque autre qu'un réparateur Toro agréé.
- Les réparations ou réglages nécessaires pour corriger les problèmes de démarrage causés par :
  - le non respect des procédures d'entretien correctes
  - des dégâts subis par la lame de la tondeuse qui heurte un obstacle
  - la contamination du circuit d'alimentation
  - l'emploi du mauvais carburant (reportez-vous au *Manuel de l'utilisateur* en cas de doute)
  - l'omission de la vidange du circuit d'alimentation avant toute période de non utilisation de plus d'un mois
- Certaines conditions de démarrage exigent un ou plusieurs essais, notamment :
  - le premier démarrage après une période de non-utilisation de plus de trois mois ou après le remisage saisonnier
  - les démarrages par temps froid, par exemple au début du printemps et à la fin de l'automne.
  - méthodes de démarrage incorrectes - si vous avez des difficultés à démarrer le moteur, vérifiez dans le *Manuel de l'utilisateur* que vous suivez bien les procédures de démarrage correctes. Vous éviterez peut-être ainsi une visite inutile chez un dépositaire-réparateur Toro agréé.

### Conditions générales

Toutes les réparations couvertes par les présentes garanties doivent être effectuées par un dépositaire-réparateur Toro agréé, à l'aide de pièces de rechange agréées par Toro. La réparation par un dépositaire-réparateur Toro agréé est le seul dédommagement auquel cette garantie donne droit.

**The Toro Company et Toro Warranty Company déclinent toute responsabilité en cas de dommages secondaires ou indirects liés à l'utilisation des produits Toro couverts par ces garanties, notamment quant aux coûts et dépenses encourus pour se procurer un équipement ou un service de substitution durant une période raisonnable pour cause de défaillance ou d'indisponibilité en attendant la réparation sous garantie.**

L'exclusion de la garantie des dommages secondaires ou indirects n'est pas autorisée dans certains états ou pays, et peut donc ne pas s'appliquer dans votre cas.

Cette garantie vous accorde des droits spécifiques, auxquels peuvent s'ajouter d'autres droits qui varient selon les états.