



**Count on it.**

**Parts Catalog**

**MM-12511H-S Mortar Mixer**

Model No. 68024—Serial No. 313000001 and Up



# Ordering Replacement Parts

To order replacement parts, please supply the part number, the quantity, and the description of each part desired.

## Understanding Reference Numbers

Each identified part in an illustration has a reference number. The reference number for a part also appears in the parts list, along with other information about the part.

This catalog uses two special reference number formats, one to indicate parts in a service assembly and another to indicate the quantity of a given part in an illustration.

## Service Assembly Reference Numbers

Parts in service assemblies have reference numbers in the form a:b. The a represents the reference number of the entire service assembly and the b represents a sequential number unique to each part within the service assembly.

For example, a wheel assembly might be identified by reference number 6, the tire by 6:1, the valve by 6:2, and the wheel by 6:3. When you order the assembly identified by reference number 6, you receive all parts identified by reference numbers 6:1, 6:2, and 6:3. However, you may also order any part individually. Reference numbers of this type appear in illustration and in parts lists.

## Reference Numbers Indicating Quantity

In an illustration, if a reference number indicates more than one part, the reference number has the form nX y. The n represents the quantity of the part, the X is the multiplication symbol, and the y represents the reference number.

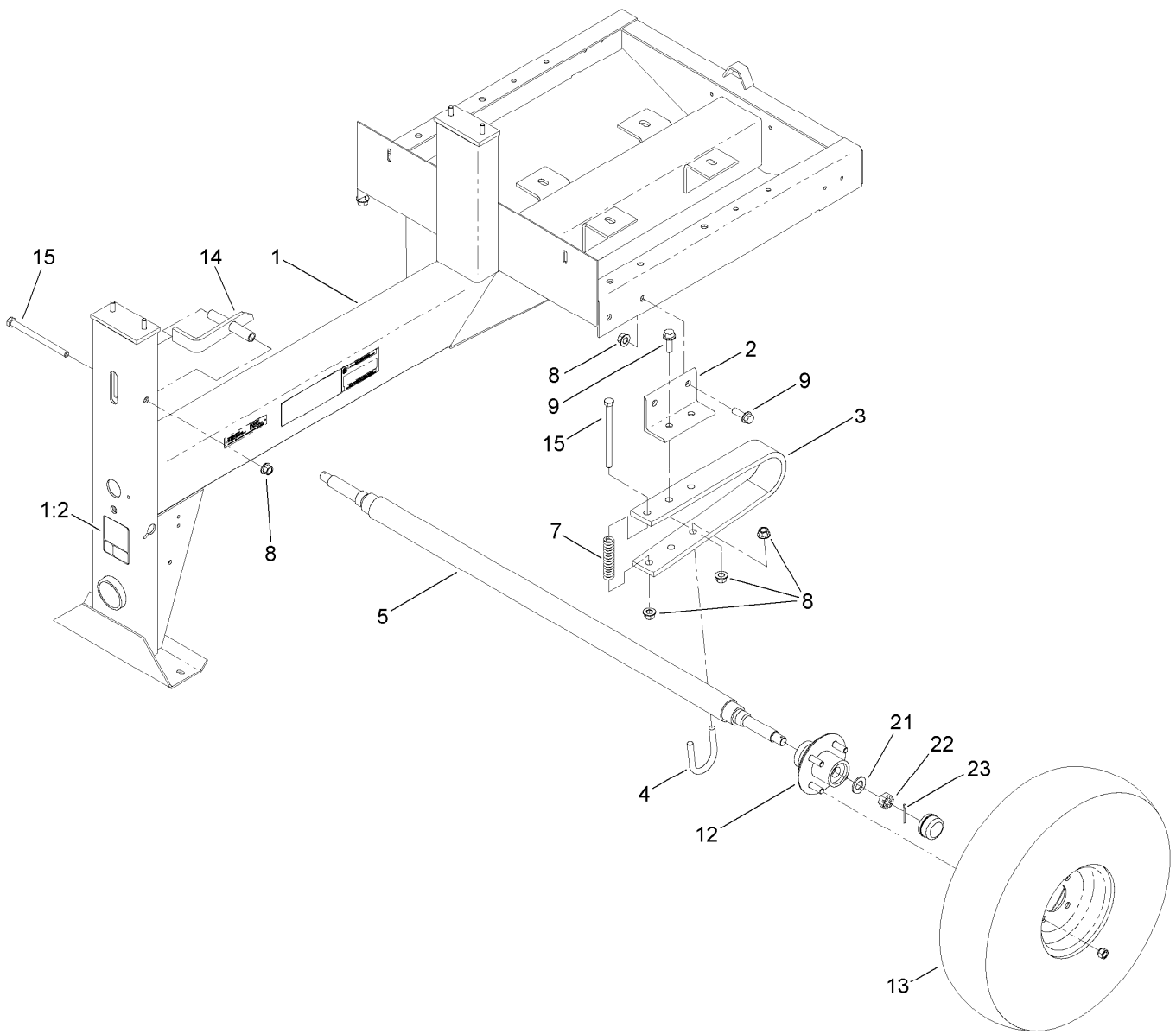
For example, in an illustration, the reference number 2X 37 means that two of the parts identified by reference number 37 are indicated.

# List of Abbreviations

<b>AR:</b> as required	<b>HLH:</b> hex lag head	<b>PTO:</b> power-take-off
<b>ASM:</b> assembly	<b>HOC:</b> height-of-cut	<b>RH:</b> right hand
<b>BBC:</b> blade brake control	<b>HSBH:</b> hex socket button head	<b>ROPS:</b> roll-over protection system
<b>BHTF:</b> button head thread forming	<b>HSFH:</b> hex socket flat head	<b>RRB:</b> rear roller brush
<b>CARR:</b> carriage	<b>HSH:</b> hex socket head	<b>SFH:</b> slotted fillister head
<b>CCW:</b> counter clockwise	<b>HWH:</b> hex washer head	<b>SHH:</b> slotted hex head
<b>CW:</b> clockwise	<b>HWHTF:</b> hex washer head thread forming	<b>SHWH:</b> slotted hex washer head
<b>DEG:</b> degrees	<b>HYD:</b> hydraulic	<b>SPH:</b> slotted pan head
<b>DPA:</b> Dual Point Adjustment	<b>LH:</b> left hand	<b>SQH:</b> square head
<b>ECM:</b> electronic control module	<b>LP:</b> Liquefied Petroleum Gas	<b>SRH:</b> slotted round head
<b>EXT:</b> external	<b>LPG:</b> Liquefied Petroleum Gas	<b>STD:</b> standard
<b>FH:</b> flat head	<b>NI:</b> nylon insert	<b>TAP:</b> self tapping
<b>GA:</b> gauge	<b>NPTF:</b> national pipe thread fine	<b>TTH:</b> torx truss head
<b>HD:</b> heavy-duty	<b>PFH:</b> phillips flat head	
<b>HF:</b> hex flange	<b>PPH:</b> phillips pan head	
<b>HH:</b> hex head	<b>PPHTF:</b> phillips pan head thread forming	
<b>HHF:</b> hex head flange	<b>PRH:</b> phillips round head	
<b>HHFTF:</b> hex head flange thread forming	<b>PTH:</b> phillips truss head	
<b>HJ:</b> hex jam		

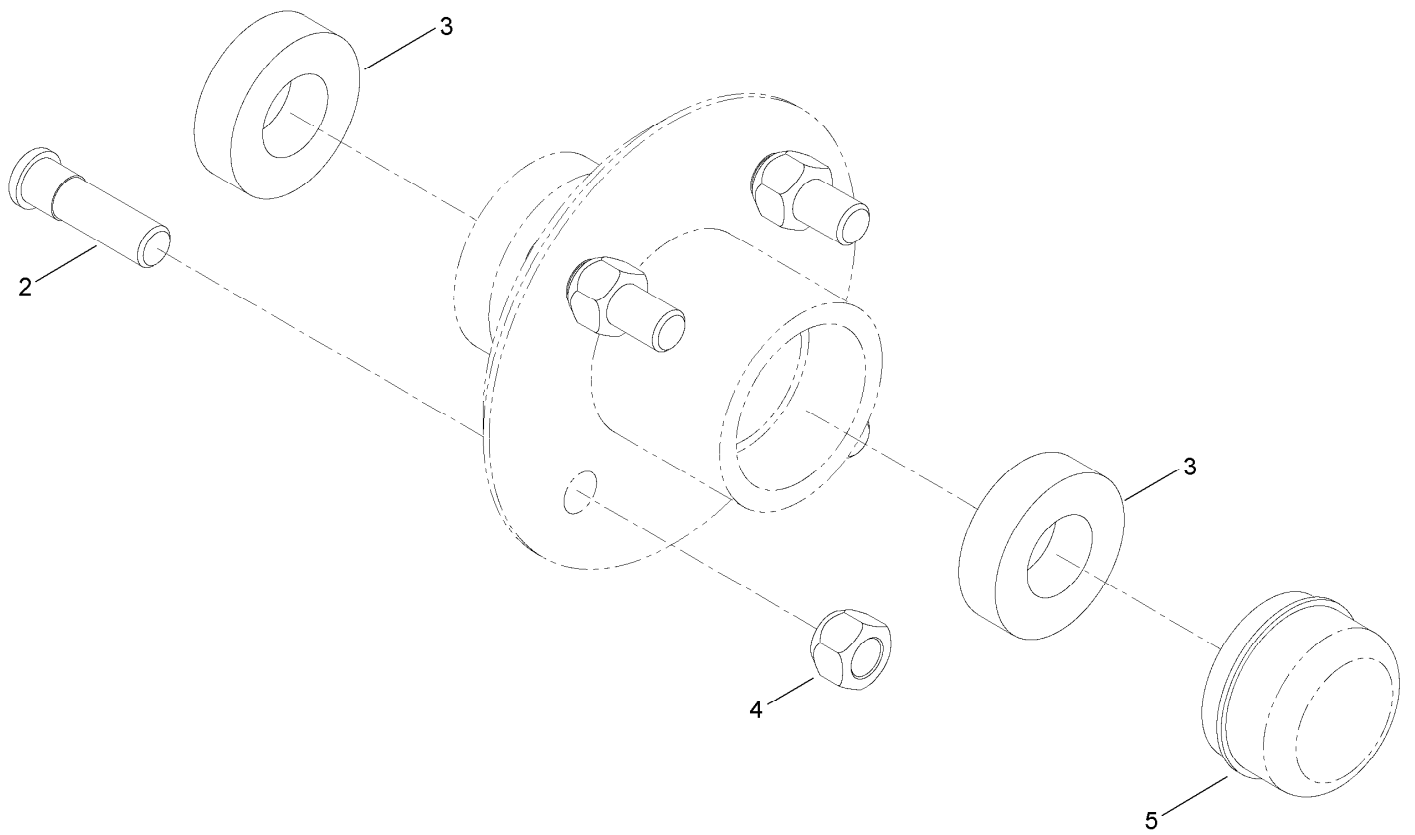
# Contents

Frame and Axle Assembly .....	4
Hub Assembly No. 125-8171 .....	5
Drum Assembly .....	6
Engine and Gearcase Assembly .....	7
Gearcase Assembly No. ST22075-03 .....	8
Cowl Assembly .....	9
Attachments and Accessories .....	10



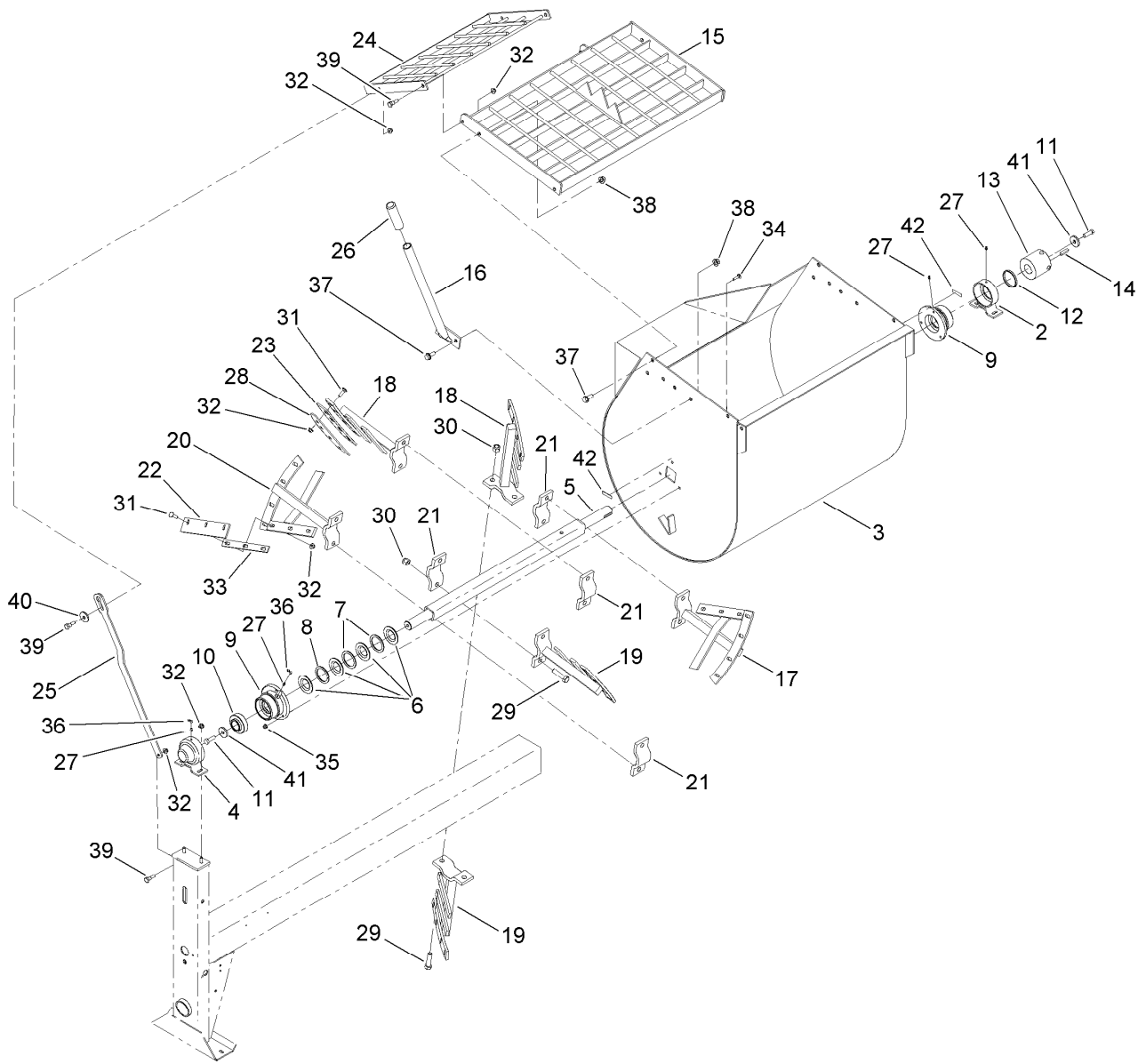
## Frame and Axle Assembly

<i>Ref.</i>	<i>Part Number</i>	<i>Qty.</i>	<i>Description</i>	<i>Ref.</i>	<i>Part Number</i>	<i>Qty.</i>	<i>Description</i>
1	127-1682	1	Frame ASM	9	100-6116	8	Screw-HHF
1:2	125-8216	1	Decal-Safety Chain, Towing	12	125-8171	2	Hub
2	ST26949-03	2	Bracket-Axle, Spring	13	ST32307	2	Tire And Rim ASM
3	ST26971	2	Spring-Leaf	14	ST24027-03	1	Latch-Drum
4	ST26195	2	Bolt-U	15	325-33	3	Screw-HH
5	ST21460-03	1	Axle-Spring	21	3256-28	2	Washer-Flat
7	ST34972	2	Spring-Coil	22	ST80054	2	Nut
8	99-5107	15	Nut-Lock	23	3272-13	2	Pin-Cotter



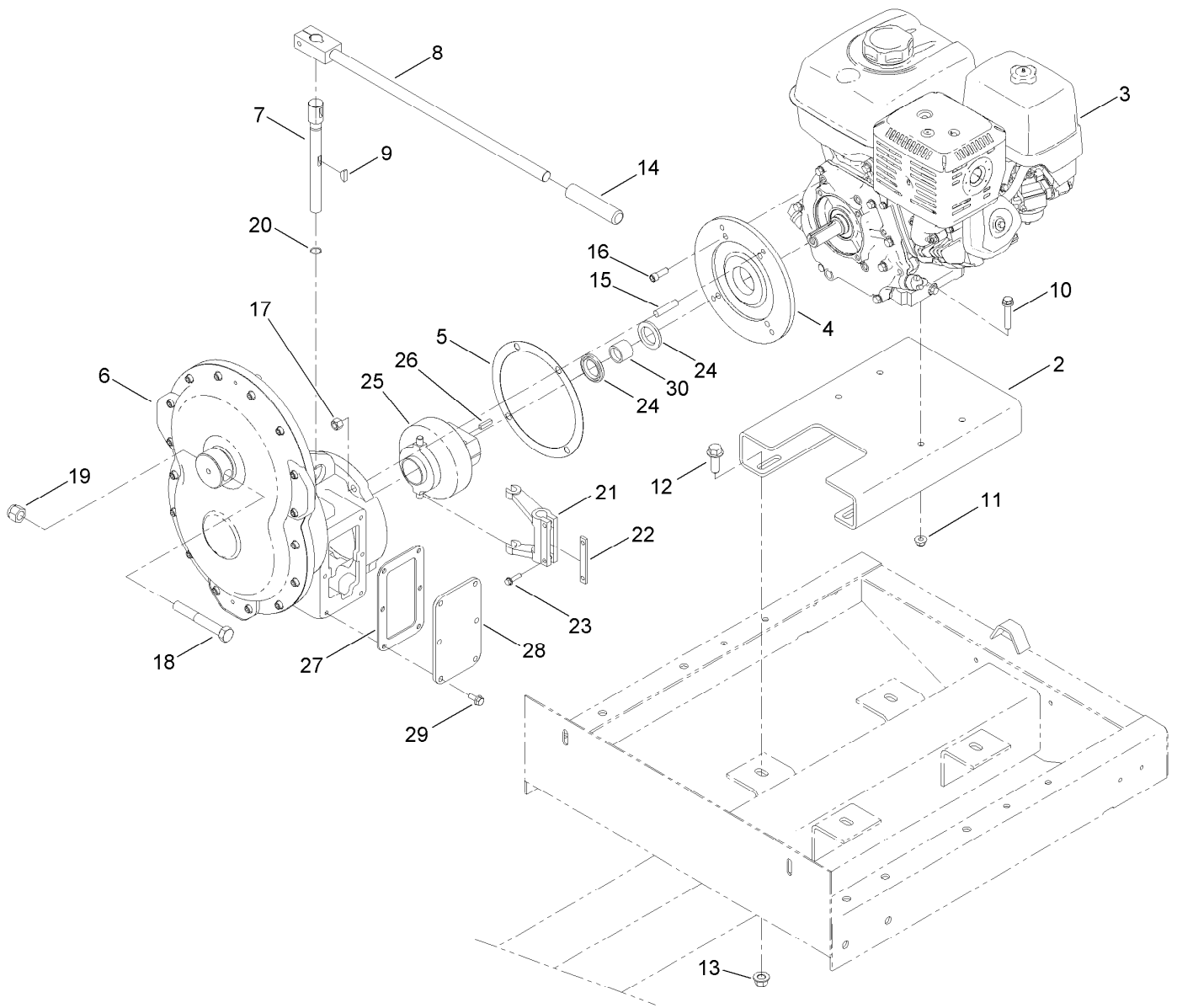
## Hub Assembly No. 125-8171

<i>Ref.</i>	<i>Part Number</i>	<i>Qty.</i>	<i>Description</i>
2	ST39190	4	Stud-Wheel
3	ST32233	2	Bearing-Roller
4	ST80045	4	Nut-Lug
5	ST34573	1	Cap-Dust



## Drum Assembly

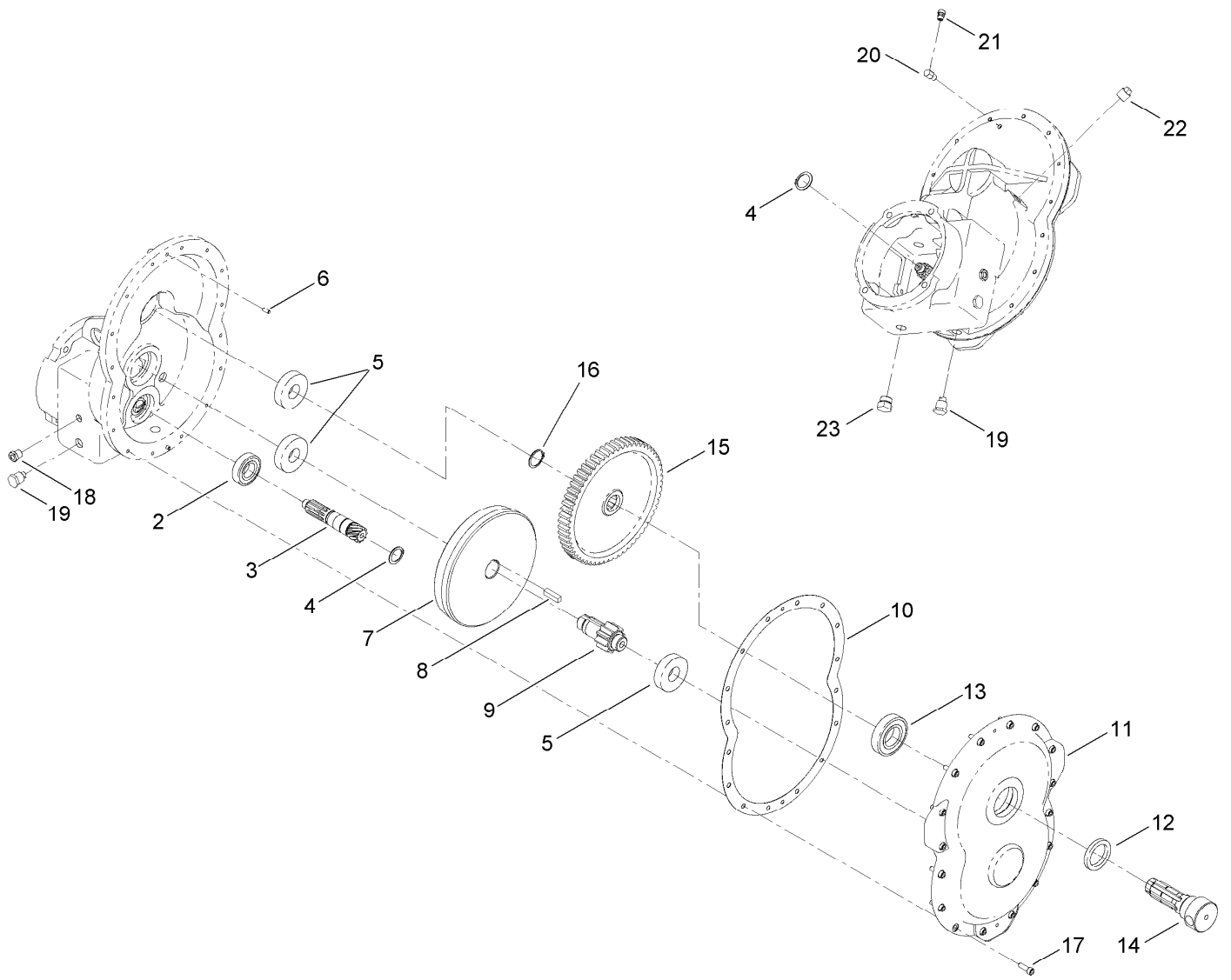
Ref.	Part Number	Qty.	Description	Ref.	Part Number	Qty.	Description
2	ST24021-03	1	Trunnion	23	ST24106	2	Blade-Rubber, Long
3	ST37575-01	1	Drum	24	125-6273-01	1	Guard-Moveable
4	ST36574-03	1	Trunnion-Capped	25	125-8154-03	1	Bar-Guard Lift
5	ST22215-01	1	Shaft-Drum	26	ST47023	1	Grip-Hand
6	ST32324	8	Seal-Drum	27	ST46042	4	Fitting-Grease
7	ST24017	4	Washer-Flat	28	ST28137-01	6	Bar-Long, Backer
8	ST25881	2	Washer-Split	29	327-7	10	Screw-HH
9	ST32326-01	2	Housing-Bearing	30	3296-53	10	Nut-Lock, NI
10	ST32003	2	Bearing-Ball	31	3231-25	30	Bolt-CARR
11	325-6	2	Screw-HH	32	104-8301	38	Nut-Flange, NI
12	ST44284-03	1	Spacer-Shaft, Drum	33	ST24103-01	2	Bar-Backer, Short
13	ST28087-03	1	Coupling-Shaft	34	3230-3	6	Screw-CARR
14	ST81060	1	Key-Square	35	104-8300	6	Nut-Flange, NI
15	125-6278-01	1	Guard	36	ST47001	4	Cap-Plug
16	ST24763-01	1	Handle-Dump	37	3234-38	6	Screw-HHF
17	ST22090-01	1	Paddle	38	99-5107	6	Nut-Lock
18	ST22091-01	2	Paddle	39	80-1300	4	Bolt-Shoulder
19	ST22092-01	2	Paddle	40	106-2008	1	Washer-Thrust
20	ST22093-01	1	Paddle	41	ST26326	2	Washer-Flat
21	ST26882-01	4	Clamp-Paddle	42	125-8175	2	Decal-Grease
22	ST24105	2	Blade-Rubber, Short				



## Engine and Gearcase Assembly

Ref.	Part Number	Qty.	Description	Ref.	Part Number	Qty.	Description
2	ST28399-03	1	Base-Motor	17	3296-48	4	Nut-Lock, NI
3	125-4993	1	Engine-Honda, Gx340 ●	18	ST80520	1	Screw-HH
4	ST28398	1	Adaptor-Engine	19	3296-53	1	Nut-Lock, NI
5	ST27010	1	Gasket-Adapter, Engine	20	ST47180	1	O-Ring
6	ST22075-03	1	Gearcase ASM	21	ST28093	1	Clutch
7	ST28094	1	Shaft-Clutch	22	ST28181	1	Spacer-Fork, Clutch
8	ST22099-03	1	Handle-Clutch	23	120-4654	2	Screw-HHF
9	3257-14	2	Key	24	ST32179	2	Seal-Shaft
10	108-3742	4	Screw-HHF	25	ST30401	1	Disconnect-Slip, Clutch
11	104-8301	4	Nut-Flange, NI	26	5-7280	1	Key
12	100-6116	4	Screw-HHF	27	ST32253	1	Gasket-Access, Clutch
13	99-5107	4	Nut-Lock	28	ST42461	1	Cover-Access, Clutch
14	ST34765	1	Grip-Flex	29	3234-47	6	Screw-HHF
15	ST41039	4	Stud	30	ST28844	1	Bushing-Shaft
16	ST29469	4	Screw-HSH				

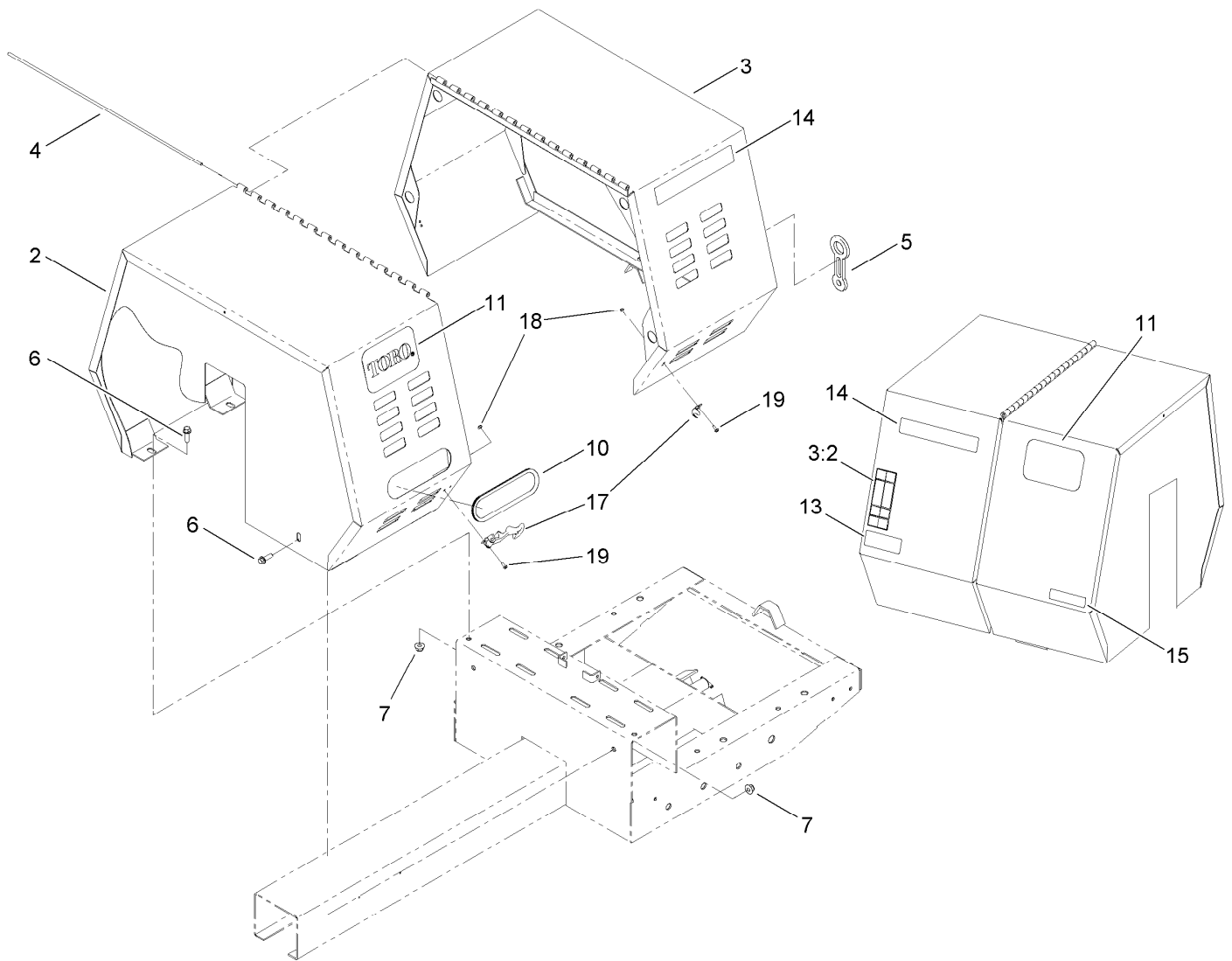
● Obtain parts from [www.honda-engines.com](http://www.honda-engines.com)



## Gearcase Assembly No. ST22075-03

<i>Ref.</i>	<i>Part Number</i>	<i>Qty.</i>	<i>Description</i>	<i>Ref.</i>	<i>Part Number</i>	<i>Qty.</i>	<i>Description</i>
2	ST32213	1	Bearing-Ball	13	ST32177	1	Bearing-Ball
3	ST28095	1	Shaft-Input, Pinion	14	ST28092	1	Shaft-Output, Gearcase
4	ST80098	2	Ring-External	15	ST28098	1	Gear-Spur
5	ST32101	3	Bearing-Roller	16	32120-84	1	Ring-Snap, External
6	75-6480	2	Pin	17	3274-22	16	Screw-HSH
7	ST28096	1	Gear-Helical	18	ST34096	1	Plug-Sight, Oil
8	ST81060	1	Key-Square	19	ST46108	2	Plug-HH, Magnetic
9	ST28097	1	Pinion	20	ST46062	1	Elbow-Connection
10	ST28088	1	Gasket-Gearcase	21	ST46064	1	Breather-Alemite
11	ST28085	1	Cover-Gearcase	22	ST46107	1	Plug
12	ST35295	1	Seal-Shaft	23	ST44332	1	Plug





## Cowl Assembly

Ref.	Part Number	Qty.	Description
2	127-1684	1	Stationary Cowl ASM
3	127-1686	1	Movable Cowl ASM
3:2	125-4939	1	Decal-Warning
4	ST44372	1	Pin
5	ST47182	1	Latch-Rubber
6	3234-24	6	Screw-HHF
7	104-8301	6	Nut-Flange, NI
10	ST47294	1	Trim-Lid
11	67-7320	2	Decal
13	125-4942	1	Decal
14	125-4953	2	Decal-Mm-12511H
15	117-2718	1	Decal-Arrester, Spark
17	ST35289	2	Latch-Flex, Draw
18	3296-12	8	Nut-Lock, NI
19	3290-321	8	Screw-HWH

# Attachments and Accessories

## For 68024 MM-12511H-S Mortar Mixer

<b>Product Name</b>	<b>Model/Part</b>
50 inch Forged Tow Pole Hitch .....	68057
50 inch Pintel Tow Pole Hitch .....	68059
50 inch Stamped Tow Pole Hitch .....	68061
Trailer Light Kit.....	68062

**Notes:**



**Count on it.**