



Count on it.

Parts Catalog

**FP-3000 Forward Plate
Compactor**

Model No. 68026—Serial No. 313000001 and Up



Ordering Replacement Parts

To order replacement parts, please supply the part number, the quantity, and the description of each part desired.

Understanding Reference Numbers

Each identified part in an illustration has a reference number. The reference number for a part also appears in the parts list, along with other information about the part.

This catalog uses two special reference number formats, one to indicate parts in a service assembly and another to indicate the quantity of a given part in an illustration.

Service Assembly Reference Numbers

Parts in service assemblies have reference numbers in the form a:b. The a represents the reference number of the entire service assembly and the b represents a sequential number unique to each part within the service assembly.

For example, a wheel assembly might be identified by reference number 6, the tire by 6:1, the valve by 6:2, and the wheel by 6:3. When you order the assembly identified by reference number 6, you receive all parts identified by reference numbers 6:1, 6:2, and 6:3. However, you may also order any part individually. Reference numbers of this type appear in illustration and in parts lists.

Reference Numbers Indicating Quantity

In an illustration, if a reference number indicates more than one part, the reference number has the form nX y. The n represents the quantity of the part, the X is the multiplication symbol, and the y represents the reference number.

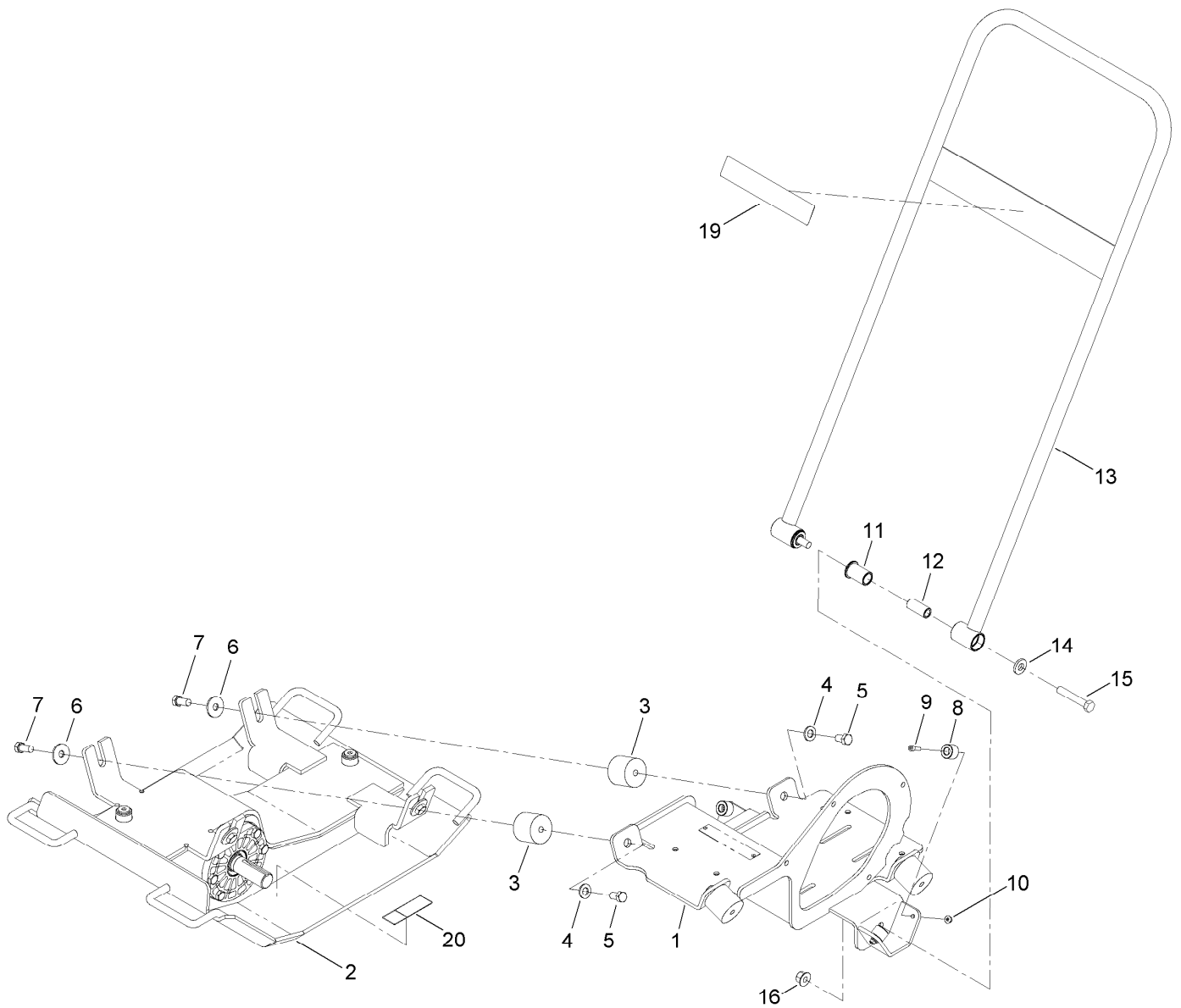
For example, in an illustration, the reference number 2X 37 means that two of the parts identified by reference number 37 are indicated.

List of Abbreviations

AR: as required	HLH: hex lag head	PTO: power-take-off
ASM: assembly	HOC: height-of-cut	RH: right hand
BBC: blade brake control	HSBH: hex socket button head	ROPS: roll-over protection system
BHTF: button head thread forming	HSFH: hex socket flat head	RRB: rear roller brush
CARR: carriage	HSH: hex socket head	SFH: slotted fillister head
CCW: counter clockwise	HWH: hex washer head	SHH: slotted hex head
CW: clockwise	HWHTF: hex washer head thread forming	SHWH: slotted hex washer head
DEG: degrees	HYD: hydraulic	SPH: slotted pan head
DPA: Dual Point Adjustment	LH: left hand	SQH: square head
ECM: electronic control module	LP: Liquefied Petroleum Gas	SRH: slotted round head
EXT: external	LPG: Liquefied Petroleum Gas	STD: standard
FH: flat head	NI: nylon insert	TAP: self tapping
GA: gauge	NPTF: national pipe thread fine	TTH: torx truss head
HD: heavy-duty	PFH: phillips flat head	
HF: hex flange	PPH: phillips pan head	
HH: hex head	PPHTF: phillips pan head thread forming	
HHF: hex head flange	PRH: phillips round head	
HHFTF: hex head flange thread forming	PTH: phillips truss head	
HJ: hex jam		

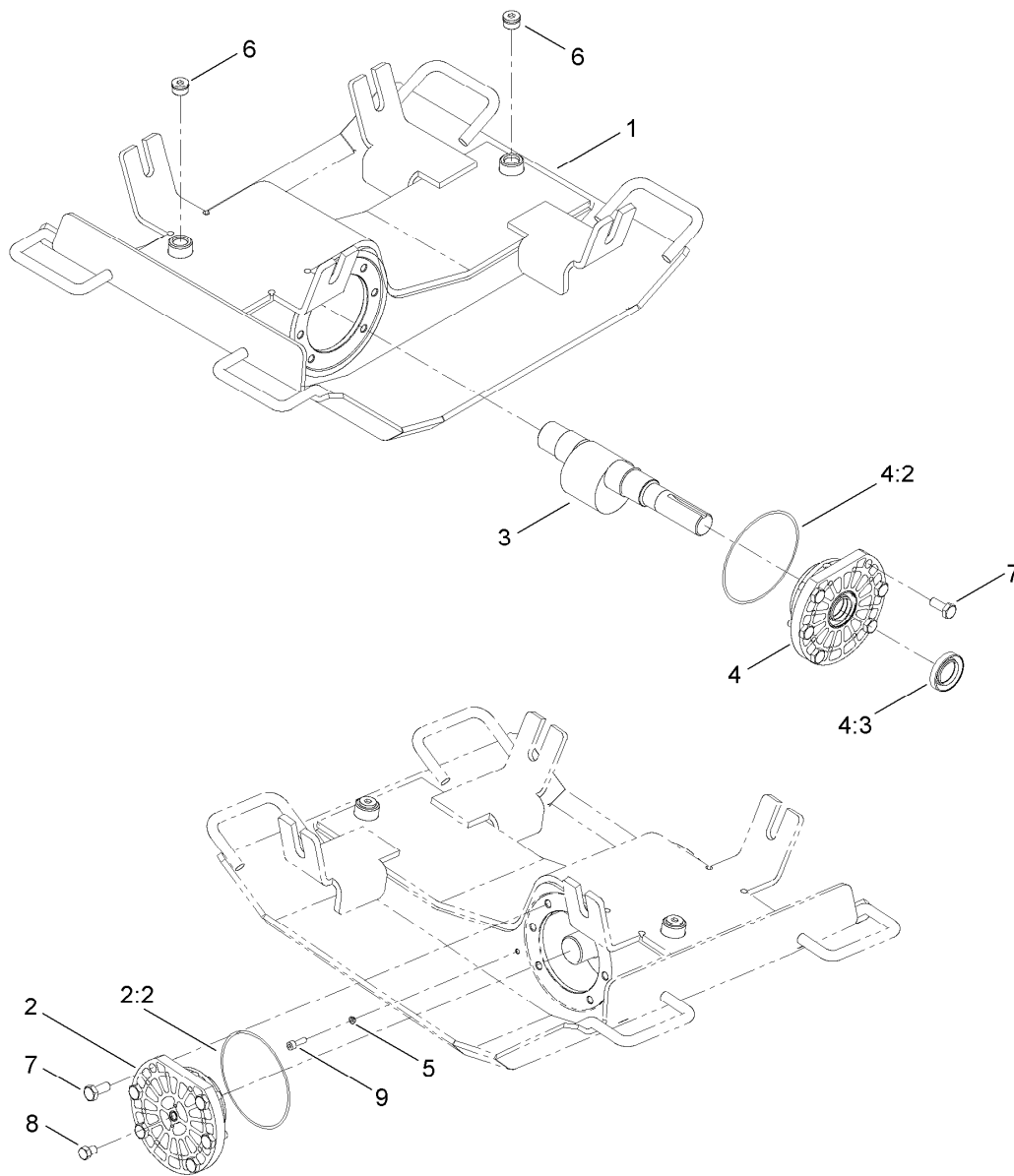
Contents

- Handle and Base Assembly 4
- Base Assembly No. 125-6236 5
- Engine Assembly 6
- Roll Cage and Water Assembly 7



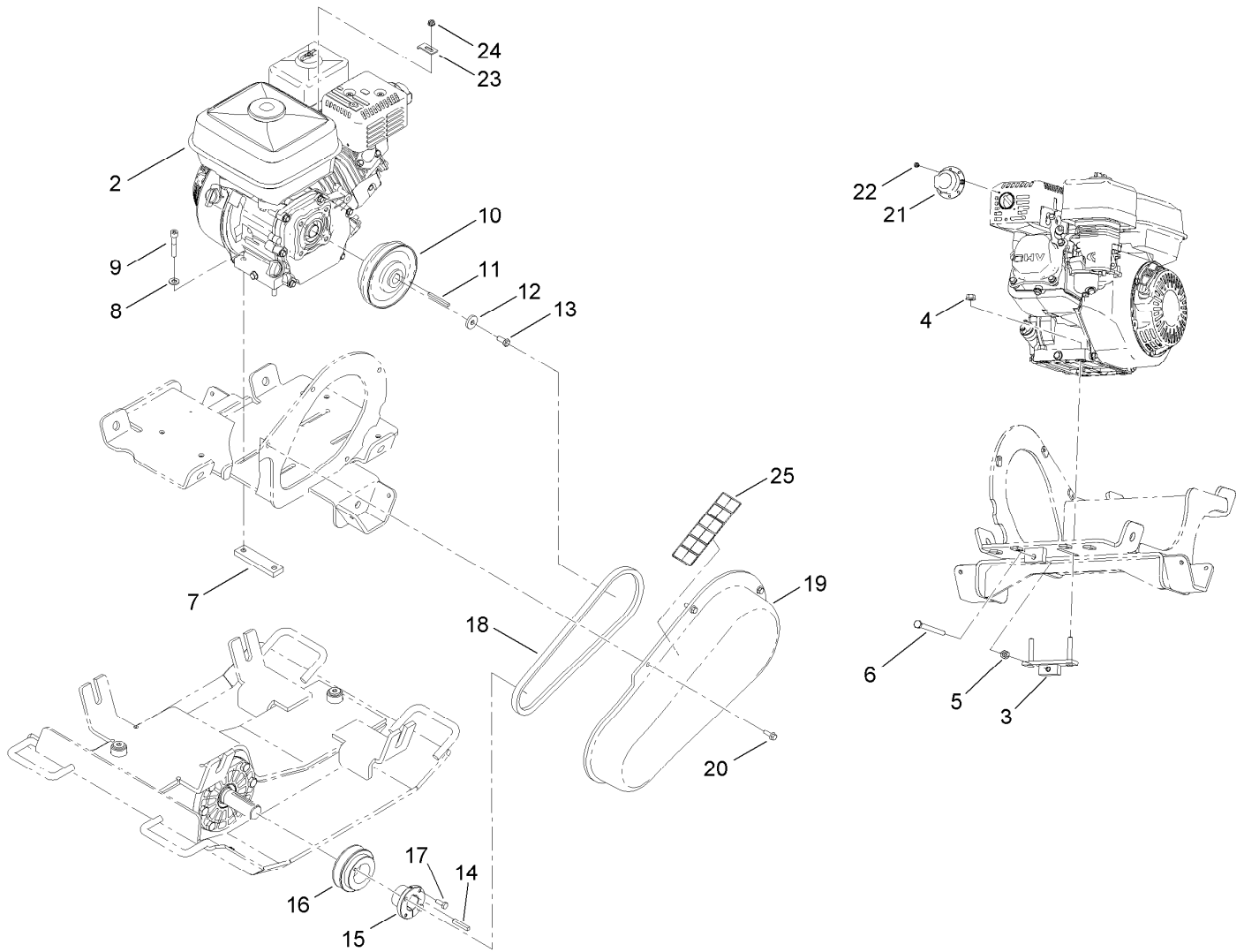
Handle and Base Assembly

<i>Ref.</i>	<i>Part Number</i>	<i>Qty.</i>	<i>Description</i>	<i>Ref.</i>	<i>Part Number</i>	<i>Qty.</i>	<i>Description</i>
1	125-6249-03	1	Deck-Engine	10	33003-00	4	Nut-HF
2	125-6236	1	Base ASM	11	ST50263	2	Bushing-Handle, Main Plate
3	ST65004	4	Mount-Shock	12	ST50264	2	Spacer-Handle, Pivot
4	33096-00	4	Washer-Flat	13	ST50260-03	1	Handle-Main
5	33116-020	4	Screw-HH	14	ST80891	2	Washer-Flat
6	ST80835	4	Washer-Flat	15	33116-070	2	Screw-HH
7	33116-025	4	Screw-HH	16	115-1115	2	Nut-HHF, Lock
8	ST50265	4	Spacer-Stop, Handle	19	125-4929	1	Decal
9	ST81213	4	Screw-HSH	20	117-4979	1	Decal-Warning, Shields (Ce)



Base Assembly No. 125-6236

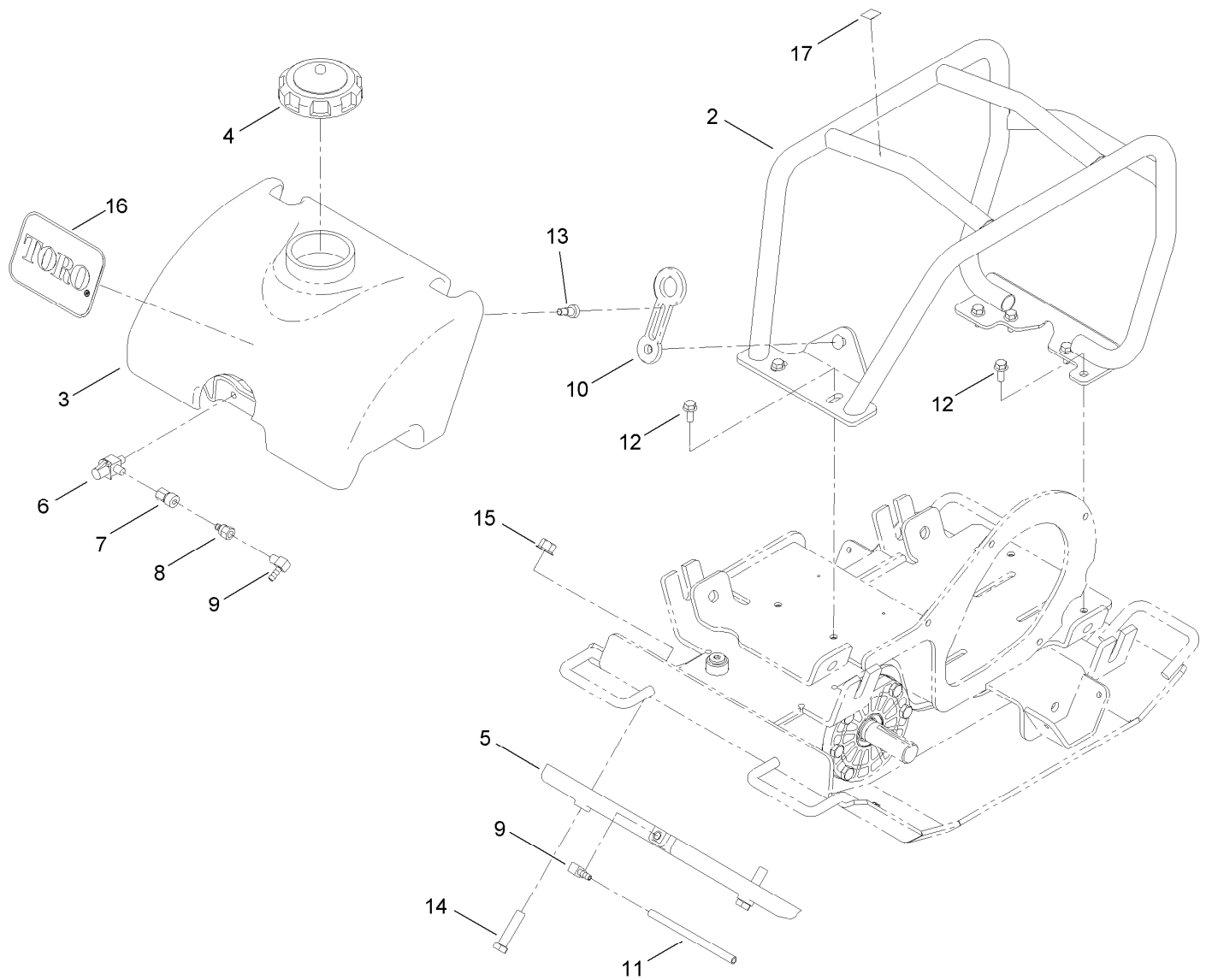
Ref.	Part Number	Qty.	Description
1	ST50254-03	1	Base
2	ST22061	1	Plate Cap Bearing ASM (Blind End)
2:2	ST32033	1	O-Ring
3	ST50455	1	Shaft-Eccentric
4	ST22060	1	Plate Cap Bearing ASM (Sheave End)
4:2	ST32033	1	O-Ring
4:3	ST32047	2	Seal-Shaft
5	ST81210	1	Washer-Sealing, Nyltite
6	ST47647	2	Fitting-HYD
7	43-0090	12	Screw-HH
8	ST80185	1	Screw-HH
9	ST81213	1	Screw-HSH



Engine Assembly

Ref.	Part Number	Qty.	Description
2	125-4813	1	Engine-Honda, Gx160
3	ST50257	1	Bracket-Adjuster, Engine
4	33004-00	2	Nut-HF
5	33014-00	1	Nut-Hex
6	ST81191	1	Screw
7	ST50506	1	Plate-Nut, Engine
8	33094-00	2	Washer-Plain
9	ST80966	2	Screw-HSH
10	ST32347	1	Clutch, S-Plate
11	ST80611	1	Key-Square
12	ST39233	1	Washer
13	3235-6	1	Screw-HH

Ref.	Part Number	Qty.	Description
14	ST80061	1	Key-Square
15	ST32798	1	Bushing
16	ST28314	1	Sheave-Eccentric
17	321-4	2	Screw-HH
18	ST50500	1	Belt-V
19	125-4805	1	Guard-Belt
20	33103-020	4	Screw-HHF
21	ST30166	1	Deflector-Exhaust
22	ST80766	2	Screw-HWH
23	ST42790	1	Clip-Throttle
24	32128-17	1	Nut-Lock, Flange
25	125-4943	1	Decal-Warning, Plate



Roll Cage and Water Assembly

<i>Ref.</i>	<i>Part Number</i>	<i>Qty.</i>	<i>Description</i>	<i>Ref.</i>	<i>Part Number</i>	<i>Qty.</i>	<i>Description</i>
2	ST50215-03	1	Cage-Roll	10	ST47182	1	Latch-Rubber
3	125-4810	1	Tank-Water	11	ST47250	1	Hose-Water
4	ST47241	1	Cap-Plastic	12	33104-020	6	Screw-HHF
5	125-8217	1	Sprinkler	13	ST81130	1	Screw-HSBH
6	ST50497	1	Valve-Ball	14	33116-050	2	Screw-HH
7	ST50498	1	Fitting-Quick, Female	15	115-1115	2	Nut-HHF, Lock
8	ST50499	1	Fitting-Quick, Female, Nipple	16	68-3640	1	Decal
9	ST34486	2	Fitting-HYD, 90 DEG	17	93-9084	1	Decal-Point, Lift



Count on it.