



**Count on it.**

**Parts Catalog**

**Transport Frame**

**Trans Pro 80 Tow-Behind Trailer**

**Model No. 04238—Serial No. 31000001 and Up**



# Ordering Replacement Parts

To order replacement parts, please supply the part number, the quantity, and the description of each part desired.

## Understanding Reference Numbers

Each identified part in an illustration has a reference number. The reference number for a part also appears in the parts list, along with other information about the part.

This catalog uses two special reference number formats, one to indicate parts in a service assembly and another to indicate the quantity of a given part in an illustration.

## Service Assembly Reference Numbers

Parts in service assemblies have reference numbers in the form a:b. The a represents the reference number of the entire service assembly and the b represents a sequential number unique to each part within the service assembly.

For example, a wheel assembly might be identified by reference number 6, the tire by 6:1, the valve by 6:2, and the wheel by 6:3. When you order the assembly identified by reference number 6, you receive all parts identified by reference numbers 6:1, 6:2, and 6:3. However, you may also order any part individually. Reference numbers of this type appear in illustration and in parts lists.

## Reference Numbers Indicating Quantity

In an illustration, if a reference number indicates more than one part, the reference number has the form nX y. The n represents the quantity of the part, the X is the multiplication symbol, and the y represents the reference number.

For example, in an illustration, the reference number 2X 37 means that two of the parts identified by reference number 37 are indicated.

# List of Abbreviations

**AR:** as required

**ASM:** assembly

**BBC:** blade brake control

**BHTF:** button head thread forming

**CARR:** carriage

**CCW:** counter clockwise

**CW:** clockwise

**DEG:** degrees

**DPA:** Dual Point Adjustment

**ECM:** electronic control module

**EXT:** external

**FH:** flat head

**GA:** gauge

**HD:** heavy-duty

**HF:** hex flange

**HH:** hex head

**HHF:** hex head flange

**HHFTF:** hex head flange thread forming

**HJ:** hex jam

**HLH:** hex lag head

**HOC:** height-of-cut

**HSBH:** hex socket button head

**HSFH:** hex socket flat head

**HSH:** hex socket head

**HWH:** hex washer head

**HWTF:** hex washer head thread forming

**HYD:** hydraulic

**LH:** left hand

**LPG:** Liquid Propane Gas

**NI:** nylon insert

**NPTF:** national pipe thread fine

**PFH:** phillips flat head

**PPH:** phillips pan head

**PPHTF:** phillips pan head thread forming

**PRH:** phillips round head

**PTH:** phillips truss head

**PTO:** power-take-off

**RH:** right hand

**ROPS:** roll-over protection system

**RRB:** rear roller brush

**SFH:** slotted fillister head

**SHH:** slotted hex head

**SHWH:** slotted hex washer head

**SPH:** slotted pan head

**SQH:** square head

**SRH:** slotted round head

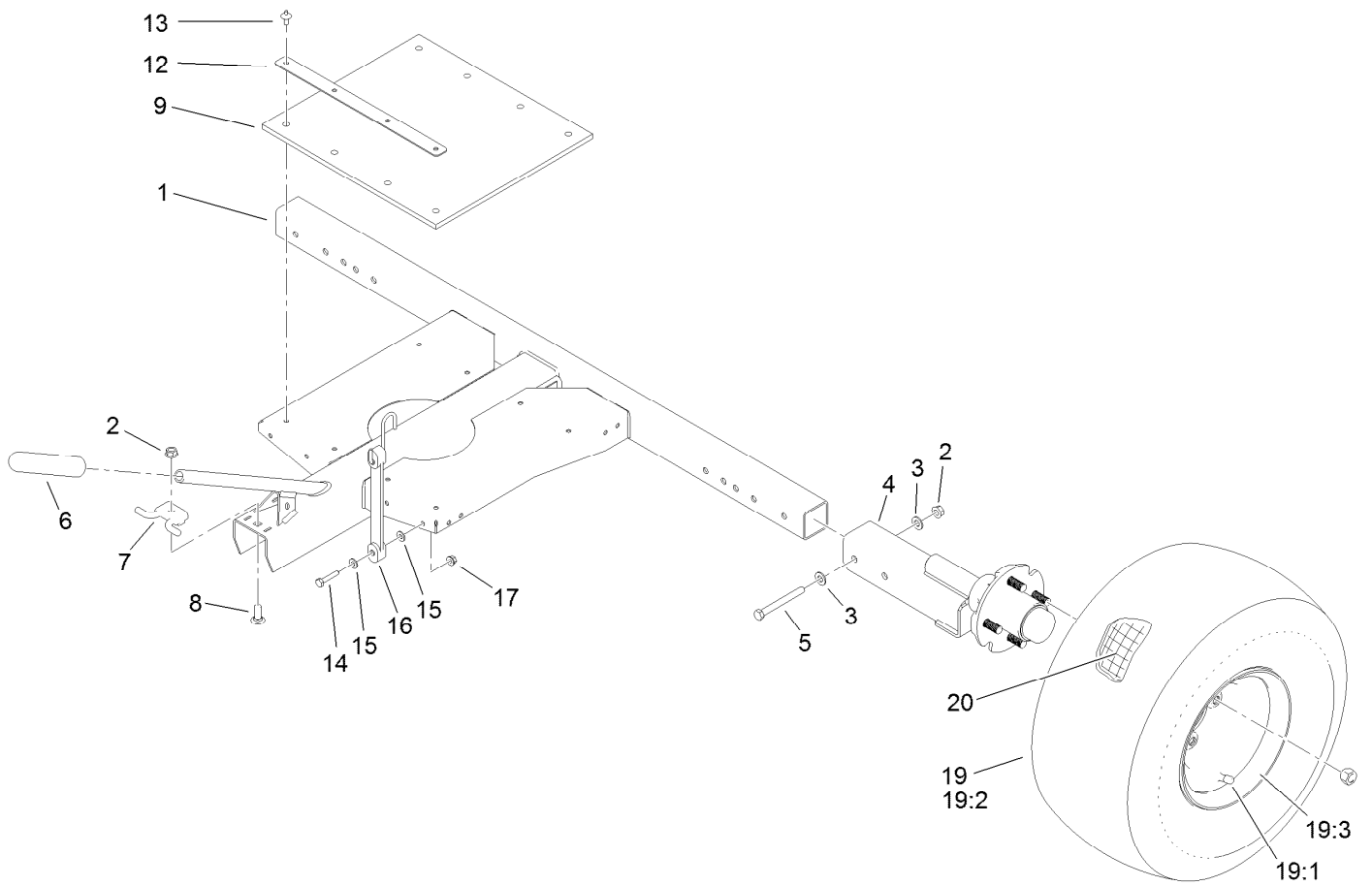
**STD:** standard

**TAP:** self tapping

**TTH:** torx truss head

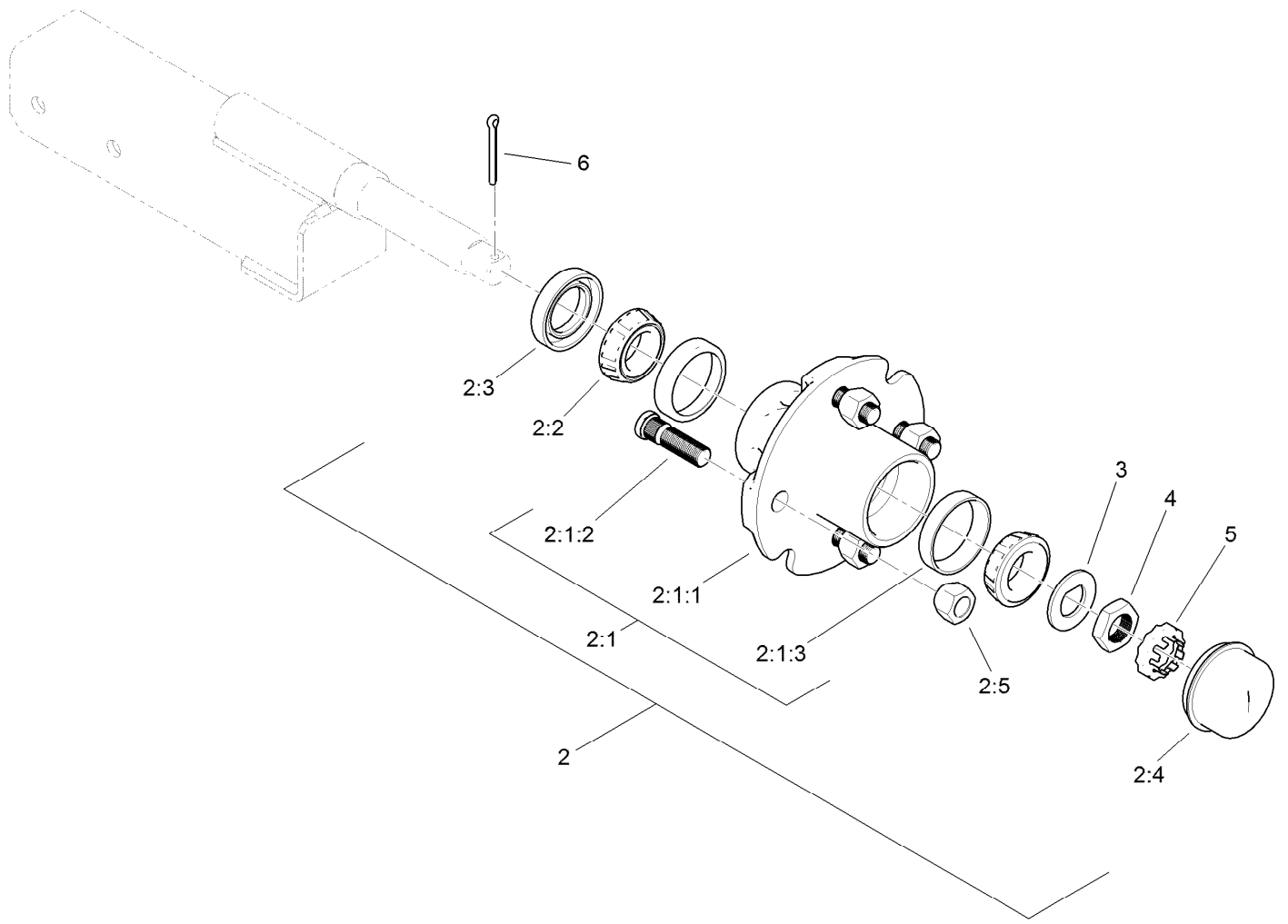
# Contents

- Main Trailer, Hub and Wheel Assembly ..... 4
- Hub and Axle Assembly No. 117-1458 ..... 5
- Tongue Assembly ..... 6
- Attachments and Accessories ..... 7



## Main Trailer, Hub and Wheel Assembly

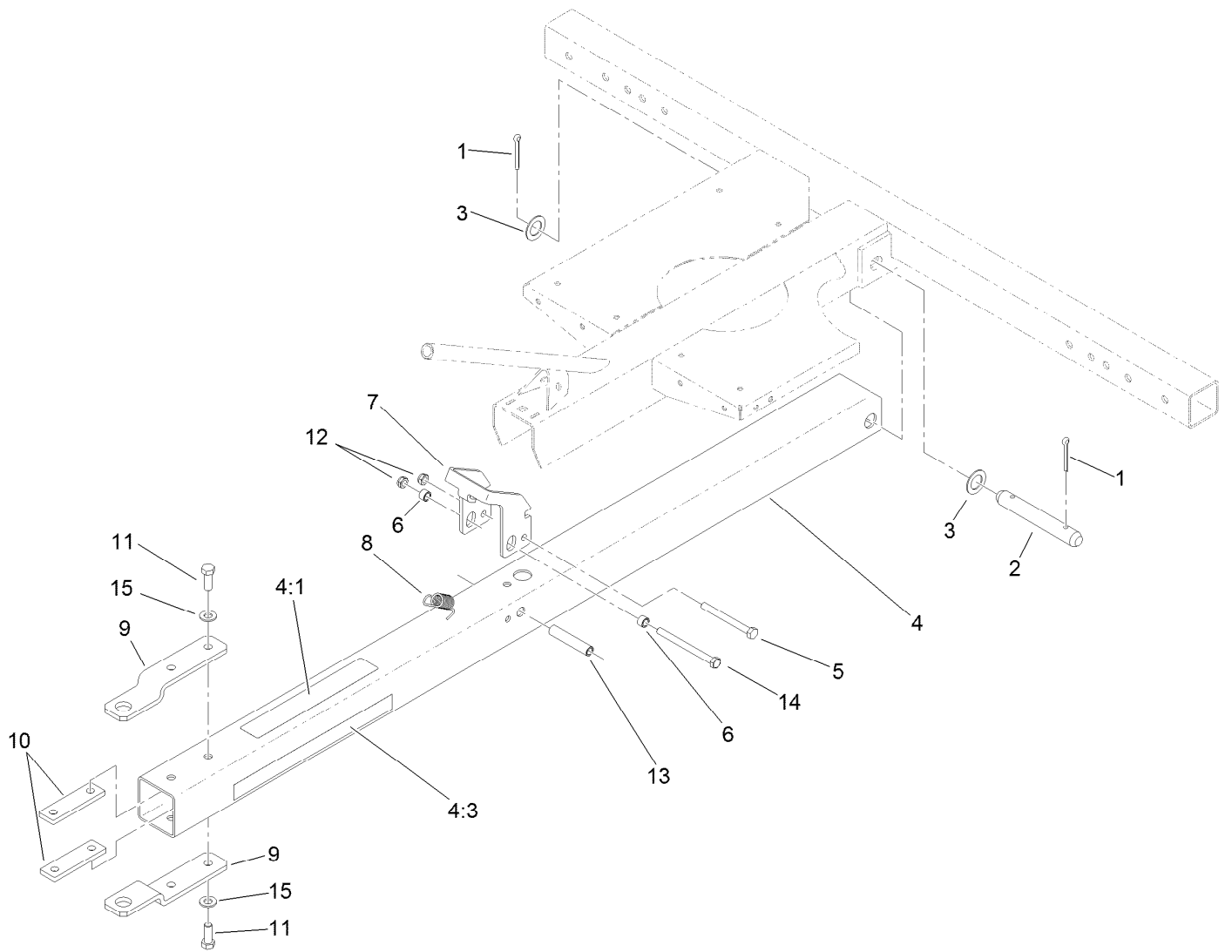
<i>Ref.</i>	<i>Part Number</i>	<i>Qty.</i>	<i>Description</i>	<i>Ref.</i>	<i>Part Number</i>	<i>Qty.</i>	<i>Description</i>
1	106-5366-01	1	Frame ASM	13	105-9626	8	Rivet-Drive
2	32128-21	5	Nut-HF	14	321-13	2	Screw-HH
3	3256-24	8	Washer-Flat	15	3256-22	4	Washer-Flat
4	117-1458	2	Hub And Axle ASM	16	106-8459	2	Bungee
5	323-15	4	Screw-HH	17	32128-32	2	Nut-HHF
6	105-1904	1	Grip-Handle	19	98-8691	2	Wheel ASM
7	108-6094	1	Latch	19:1	232-27	1	Stem-Valve
8	3231-22	1	Screw-CARR	19:2	99-4506	1	Tire
9	117-1354	1	Mat-Roller	19:3	99-4507	1	Rim
12	106-5384	2	Strip-Pad	20	232-37	2	Tube



## Hub and Axle Assembly No. 117-1458

<i>Ref.</i>	<i>Part Number</i>	<i>Qty.</i>	<i>Description</i>
2	117-5115	1	Hub And Bearing ASM
2:1	117-8251	1	Hub ASM
2:1:1		1	Hub ●
2:1:2	114-3918	4	Stud-Wheel
2:1:3	254-72	2	Bearing-Cup, Tapered
2:2	254-94	2	Bearing-Cone, Tapered
2:3	112-1690	1	Seal-Oil
2:4	241-119	1	Cap-Dust
2:5	242-50	4	Nut-Lug
3	117-8259	1	Washer-Spindle
4	117-8260	1	Nut
5	93-0307	1	Nut-Lock, Retainer
6	3272-18	1	Pin-Cotter

● Not serviced separately



## Tongue Assembly

Ref.	Part Number	Qty.	Description	Ref.	Part Number	Qty.	Description
1	3272-23	2	Pin-Cotter	8	105-9926	1	Spring-Extension
2	92-1233	1	Pin-Clevis	9	105-9930-01	2	Hitch
3	67-9410	2	Washer	10	117-1523	2	Plate-Lock
4	106-4675	1	Tongue ASM	11	3235-22	4	Screw-HH, Lock
4:1	106-4669	1	Decal-Warning, Trailer	12	3296-47	2	Nut-Lock, NI
4:3	106-4673	2	Decal	13	105-9912	1	Spacer-Latch
5	322-20	1	Screw-HH	14	322-23	1	Screw-HH
6	65-7910	2	Spacer	15	3256-24	4	Washer-Flat
7	106-8437	1	Strap-Latch				

# Attachments and Accessories

## For 04238 Transport Frame Trans Pro 80 Tow-Behind Trailer

<b>Product Name</b>	<b>Model/Part</b>
Rail Ramp Kit.....	04244
Flat Ramp .....	04245
Rail Ramp Kit (Update).....	04247
Adjustable Hitch Kit.....	107-8188



**Count on it.**