



Count on it.

Parts Catalog

Sand Pro® 5040 Traction Unit

Model No. 08705—Serial No. 312000001 and Up



Ordering Replacement Parts

To order replacement parts, please supply the part number, the quantity, and the description of each part desired.

Understanding Reference Numbers

Each identified part in an illustration has a reference number. The reference number for a part also appears in the parts list, along with other information about the part.

This catalog uses two special reference number formats, one to indicate parts in a service assembly and another to indicate the quantity of a given part in an illustration.

Service Assembly Reference Numbers

Parts in service assemblies have reference numbers in the form a:b. The a represents the reference number of the entire service assembly and the b represents a sequential number unique to each part within the service assembly.

For example, a wheel assembly might be identified by reference number 6, the tire by 6:1, the valve by 6:2, and the wheel by 6:3. When you order the assembly identified by reference number 6, you receive all parts identified by reference numbers 6:1, 6:2, and 6:3. However, you may also order any part individually. Reference numbers of this type appear in illustration and in parts lists.

Reference Numbers Indicating Quantity

In an illustration, if a reference number indicates more than one part, the reference number has the form nX y. The n represents the quantity of the part, the X is the multiplication symbol, and the y represents the reference number.

For example, in an illustration, the reference number 2X 37 means that two of the parts identified by reference number 37 are indicated.

List of Abbreviations

AR: as required

ASM: assembly

BBC: blade brake control

BHTF: button head thread forming

CARR: carriage

CCW: counter clockwise

CW: clockwise

DEG: degrees

DPA: Dual Point Adjustment

ECM: electronic control module

EXT: external

FH: flat head

GA: gauge

HD: heavy-duty

HF: hex flange

HH: hex head

HHF: hex head flange

HHFTF: hex head flange thread forming

HJ: hex jam

HLH: hex lag head

HOC: height-of-cut

HSBH: hex socket button head

HSFH: hex socket flat head

HSH: hex socket head

HWH: hex washer head

HWHTF: hex washer head thread forming

HYD: hydraulic

LH: left hand

LPG: Liquid Propane Gas

NI: nylon insert

NPTF: national pipe thread fine

PFH: phillips flat head

PPH: phillips pan head

PPHTF: phillips pan head thread forming

PRH: phillips round head

PTH: phillips truss head

PTO: power-take-off

RH: right hand

ROPS: roll-over protection system

RRB: rear roller brush

SFH: slotted fillister head

SHH: slotted hex head

SHWH: slotted hex washer head

SPH: slotted pan head

SQH: square head

SRH: slotted round head

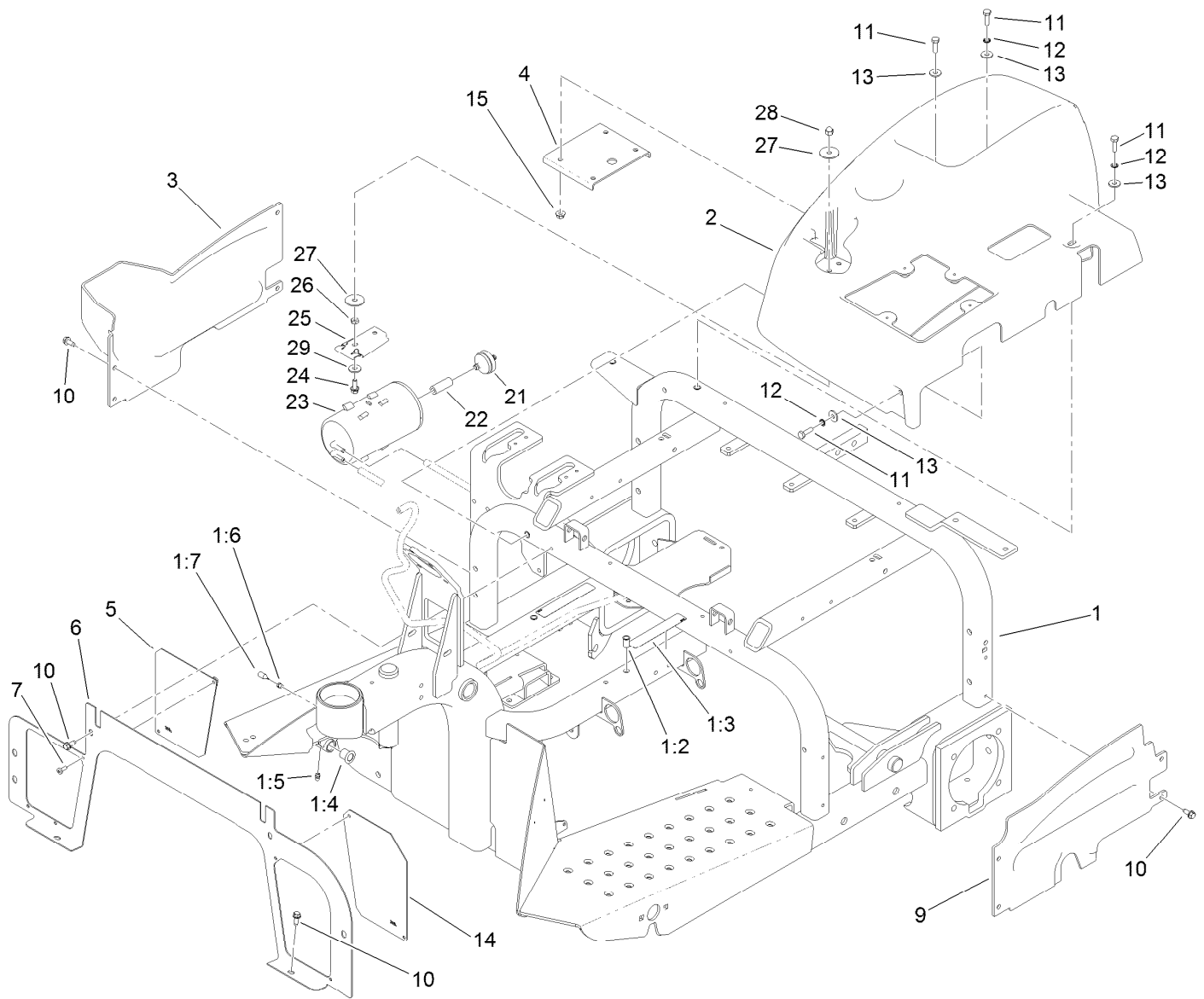
STD: standard

TAP: self tapping

TTH: torx truss head

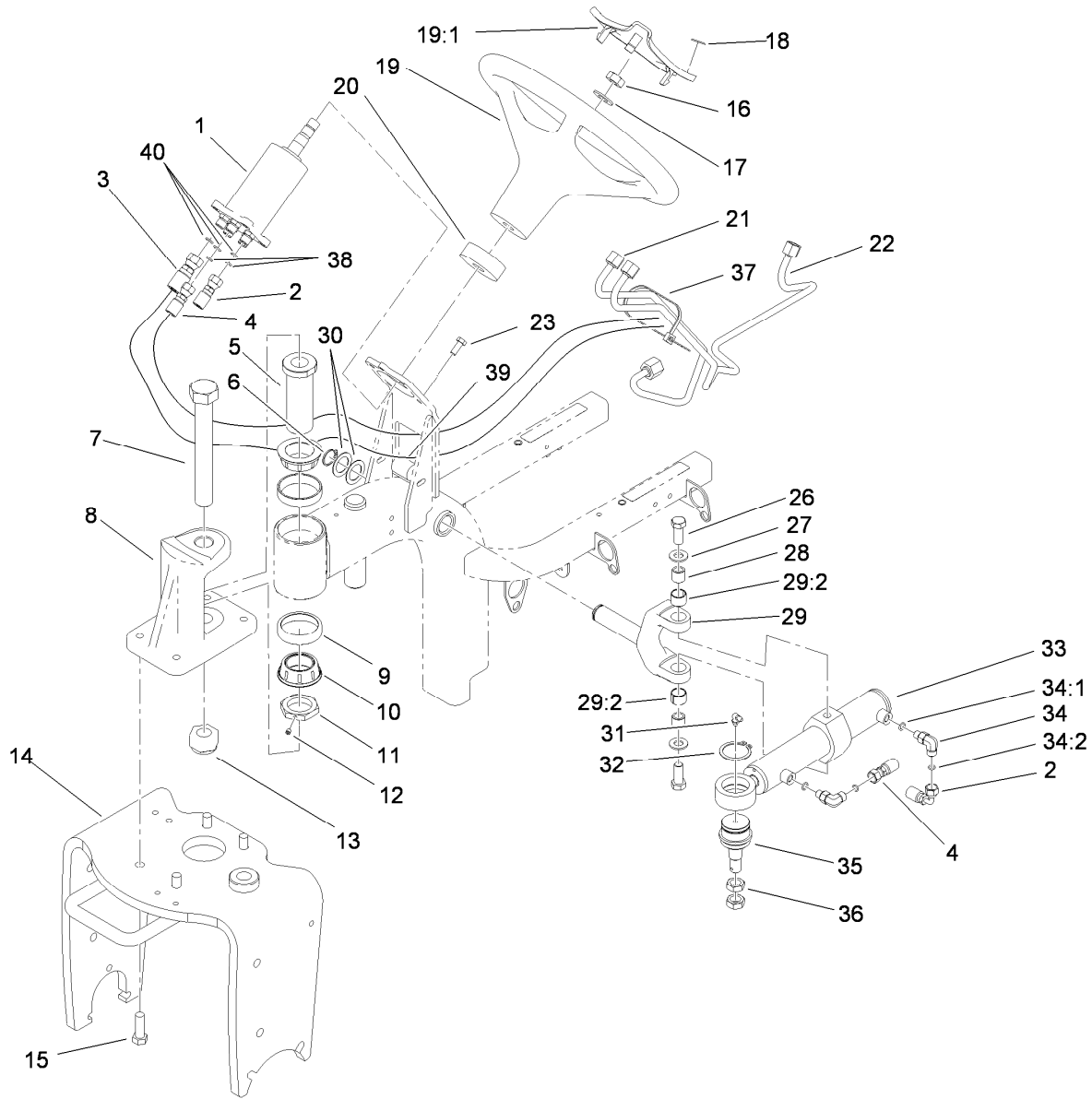
Contents

| | |
|---|----|
| Frame and Console Assembly | 4 |
| Steering Assembly | 5 |
| Steering Valve Assembly No. 108-2924 | 6 |
| Hydraulic Cylinder Assembly No. 114-0620 | 7 |
| Fuel Tank and Battery Assembly | 8 |
| Front Wheel Assembly | 10 |
| Hydraulic Motor Assembly No. 108-2948 | 12 |
| Rear Wheel Assembly | 13 |
| Hydraulic Motor Assembly No. 108-2949 | 14 |
| Hydraulic Motor Assembly No. 108-2947 | 15 |
| Traction Pedal Assembly | 16 |
| Pump Control Lever Assembly | 17 |
| Engine Installation Assembly | 18 |
| Pump and Coupling Assembly | 19 |
| Variable Piston Pump Assembly No. 114-0612 | 20 |
| Hydraulic Tank, Filter and Cooler Assembly | 22 |
| Lift Valve and Rear Tube Assembly | 24 |
| Valve Assembly No. 43-1710 | 26 |
| Seat and Shroud Assembly | 27 |
| Wire Harness, Air Cleaner and Hose Assembly | 28 |
| Air Cleaner Assembly No. 93-2190 | 29 |
| Rear Hitch Assembly | 30 |
| Hydraulic Lift Cylinder Assembly No. 115-5647 | 31 |
| Attachments and Accessories | 32 |



Frame and Console Assembly

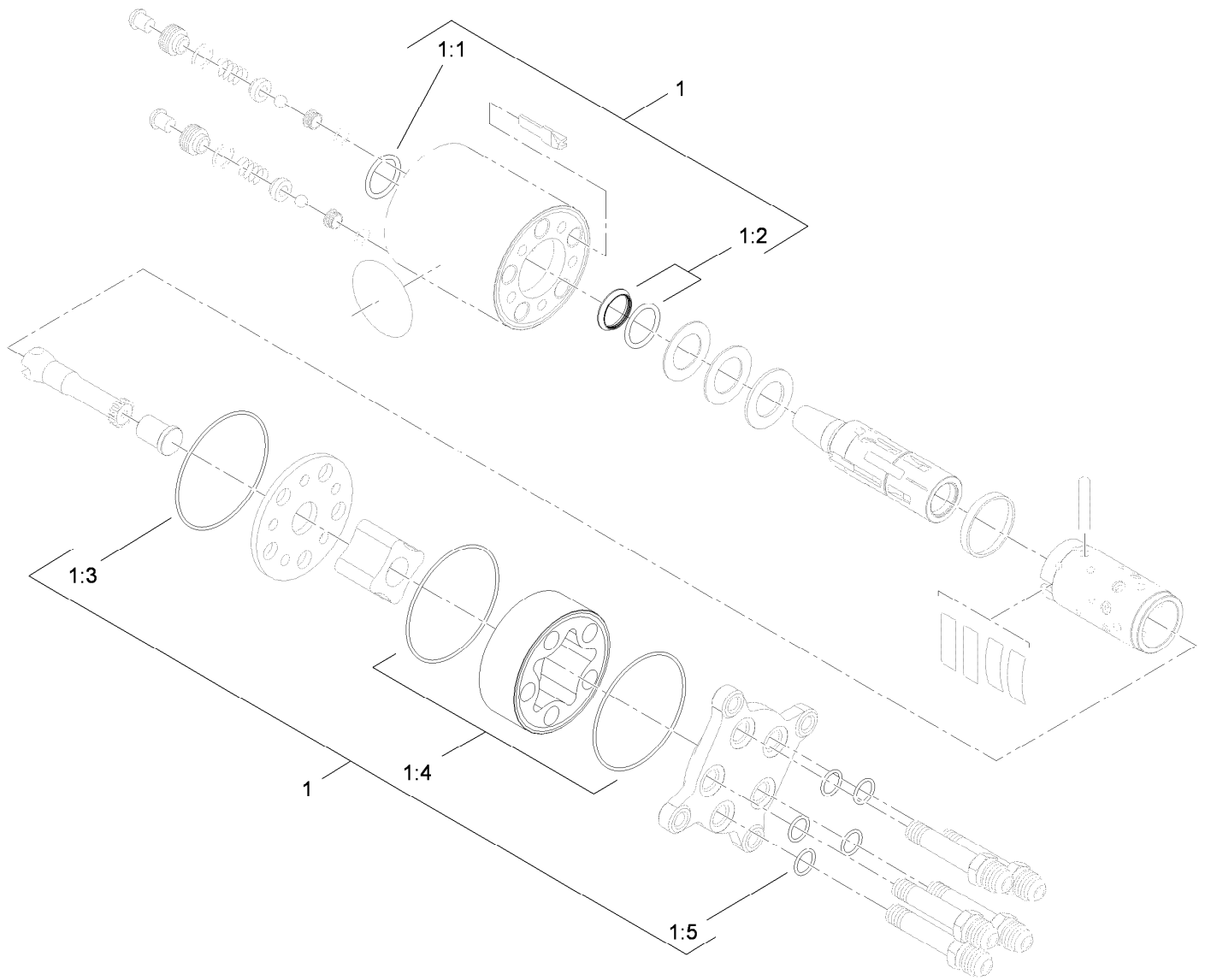
| <i>Ref.</i> | <i>Part Number</i> | <i>Qty.</i> | <i>Description</i> | <i>Ref.</i> | <i>Part Number</i> | <i>Qty.</i> | <i>Description</i> |
|-------------|--------------------|-------------|------------------------|-------------|--------------------|-------------|--------------------------|
| 1 | 110-3367 | 1 | Frame ASM | 11 | 321-5 | 7 | Screw-HH |
| 1:2 | 32148-11 | 5 | Insert-Threaded | 12 | 3254-8 | 3 | Washer-Lock |
| 1:3 | 93-7272 | 2 | Decal-Warning | 13 | 3256-78 | 7 | Washer-Flat |
| 1:4 | 256-219 | 2 | Bushing | 14 | 120-3491-01 | 1 | Screen-Panel, LH |
| 1:5 | 302-58 | 1 | Fitting-Straight | 15 | 32128-33 | 4 | Nut-HF |
| 1:6 | 107-1997 | 1 | Fitting-Grease | 21 | 115-7854 | 1 | Filter-Fuel, Inline |
| 1:7 | 107-1998 | 1 | Nozzle-Grease | 22 | 106-5317 | 1 | Hose-Fuel |
| 2 | 108-2936 | 1 | Console | 23 | 115-2251 | 1 | Canister-Carbon |
| 3 | 108-6855 | 1 | Shroud-Wheel, RH | 24 | 3234-33 | 1 | Screw-HHF |
| 4 | 108-7995-03 | 1 | Plate-Support, Console | 25 | 114-0292 | 1 | Bracket-Canister, Carbon |
| 5 | 120-3492-01 | 1 | Screen-Panel, RH | 26 | 3218-1 | 1 | Nut-Jam |
| 6 | 112-1443-01 | 1 | Panel-Front | 27 | 3256-57 | 2 | Washer-Flat |
| 7 | 3250-14 | 4 | Screw-PPH | 28 | 32111-7 | 1 | Nut-Cap |
| 9 | 108-6856 | 1 | Shroud-Wheel, LH | 29 | 3256-78 | 1 | Washer-Flat |
| 10 | 32144-10 | 12 | Screw-HWH | | | | |



Steering Assembly

| Ref. | Part Number | Qty. | Description |
|------|-------------|------|------------------------|
| 1 | 108-2924 | 1 | Valve-Steering |
| 2 | 105-4347 | 1 | HYD Hose ASM |
| 3 | 93-5385 | 1 | Hose ASM |
| 4 | 108-6508 | 1 | HYD Hose ASM |
| 5 | 108-8470 | 1 | Sleeve-Steering |
| 6 | 32151-36 | 1 | Ring-Retaining |
| 7 | 3216-16 | 1 | Screw-HH |
| 8 | 108-5431 | 1 | Pivot-Steering |
| 9 | 107-7590 | 2 | Cup-Bearing |
| 10 | 107-7589 | 2 | Cone-Bearing (W/ Seal) |
| 11 | 108-8471 | 1 | Nut-Steering |
| 12 | 3245-1 | 1 | Screw-Set, HSH |
| 13 | 104-2024 | 1 | Nut-Hex, NI |
| 14 | 108-0573-01 | 1 | Castor Fork ASM |
| 15 | 325-6 | 4 | Screw-HH |
| 16 | 3296-33 | 1 | Nut-Lock, NI |
| 17 | 3256-27 | 1 | Washer-Flat |
| 18 | 98-1459 | 1 | Decal |
| 19 | 98-1471 | 1 | Wheel-Steering |
| 19:1 | 98-1468 | 1 | Cover-Wheel, Steering |
| 20 | 108-7998 | 1 | Collar-Foam |

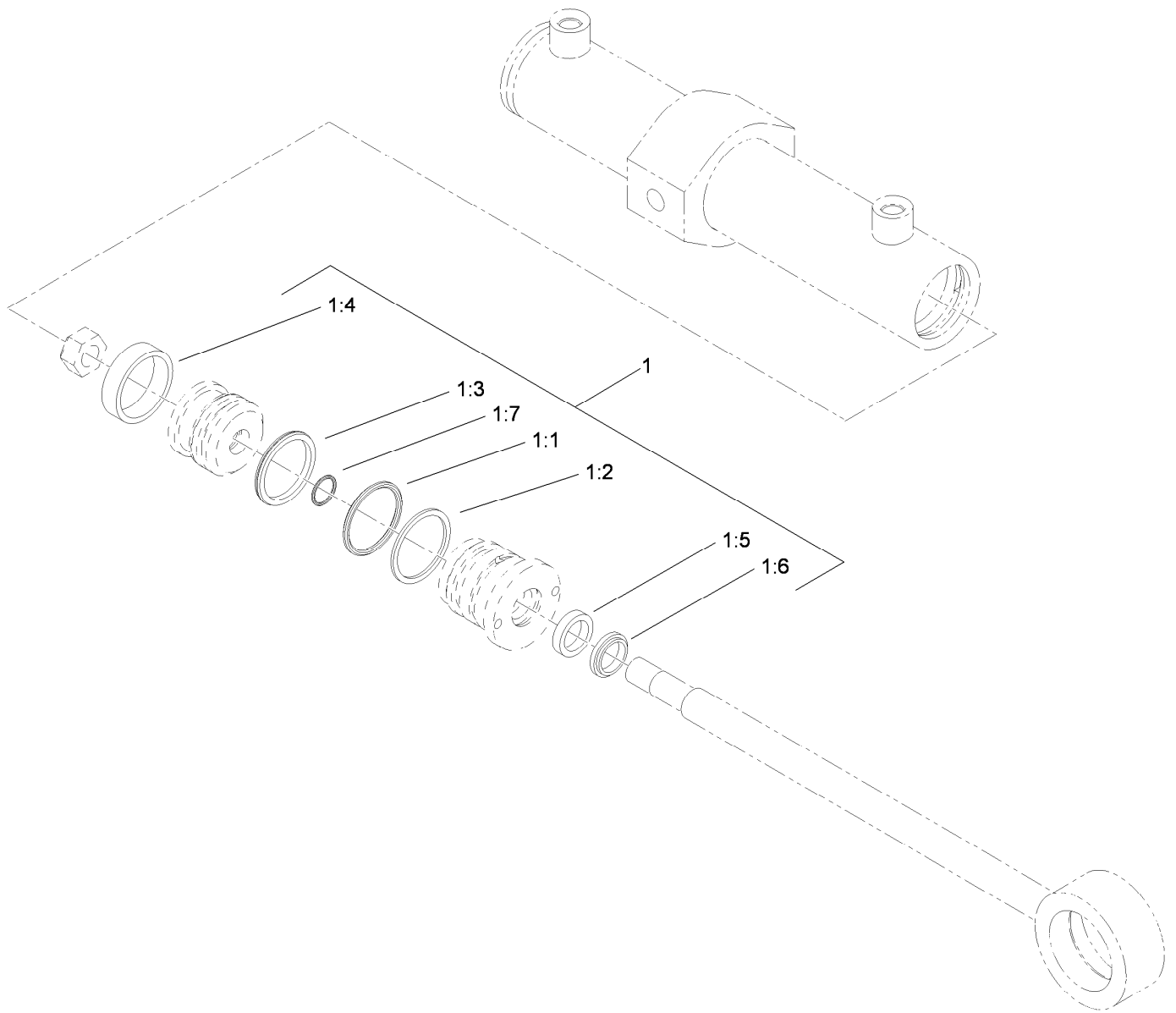
| Ref. | Part Number | Qty. | Description |
|------|-------------|------|--------------------------|
| 21 | 108-8414 | 1 | Tube ASM |
| 22 | 108-8415 | 1 | Tube ASM |
| 23 | 33114-020 | 4 | Screw-HH |
| 26 | 94-7976 | 2 | Screw-HH |
| 27 | 3256-26 | 2 | Washer-Flat |
| 28 | 108-8483 | 2 | Spacer-Plain |
| 29 | 108-8481 | 1 | Yoke And Bushing ASM |
| 29:2 | 108-8482 | 2 | Bushing-Sleeve |
| 30 | 1-543436 | 2 | Washer-Spacer |
| 31 | 302-40 | 1 | Fitting-Grease |
| 32 | 32151-104 | 1 | Ring-Retaining, External |
| 33 | 114-0620 | 1 | Hydraulic Cylinder ASM |
| 34 | 340-132 | 2 | Fitting-HYD, 90 DEG |
| 34:1 | 237-78 | 1 | O-Ring |
| 34:2 | 237-21 | 1 | O-Ring |
| 35 | 106-6774 | 1 | Joint-Ball |
| 36 | 3220-6 | 2 | Nut-Jam |
| 37 | 3290-379 | 1 | Tie-Cable |
| 38 | 237-21 | 2 | O-Ring |
| 39 | 38-3400 | 2 | Guard-Rubber |
| 40 | 237-22 | 3 | O-Ring |



Steering Valve Assembly No. 108-2924

| Ref. | Part Number | Qty. | Description |
|------|-------------|------|-------------------|
| 1 | 106-6716 | 1 | Seal Kit |
| 1:1 | | 1 | Ring-Seal, Dust ● |
| 1:2 | | 1 | Seal-Shaft ● |
| 1:3 | | 1 | O-Ring ● |
| 1:4 | | 2 | O-Ring ● |
| 1:5 | | 5 | O-Ring ● |

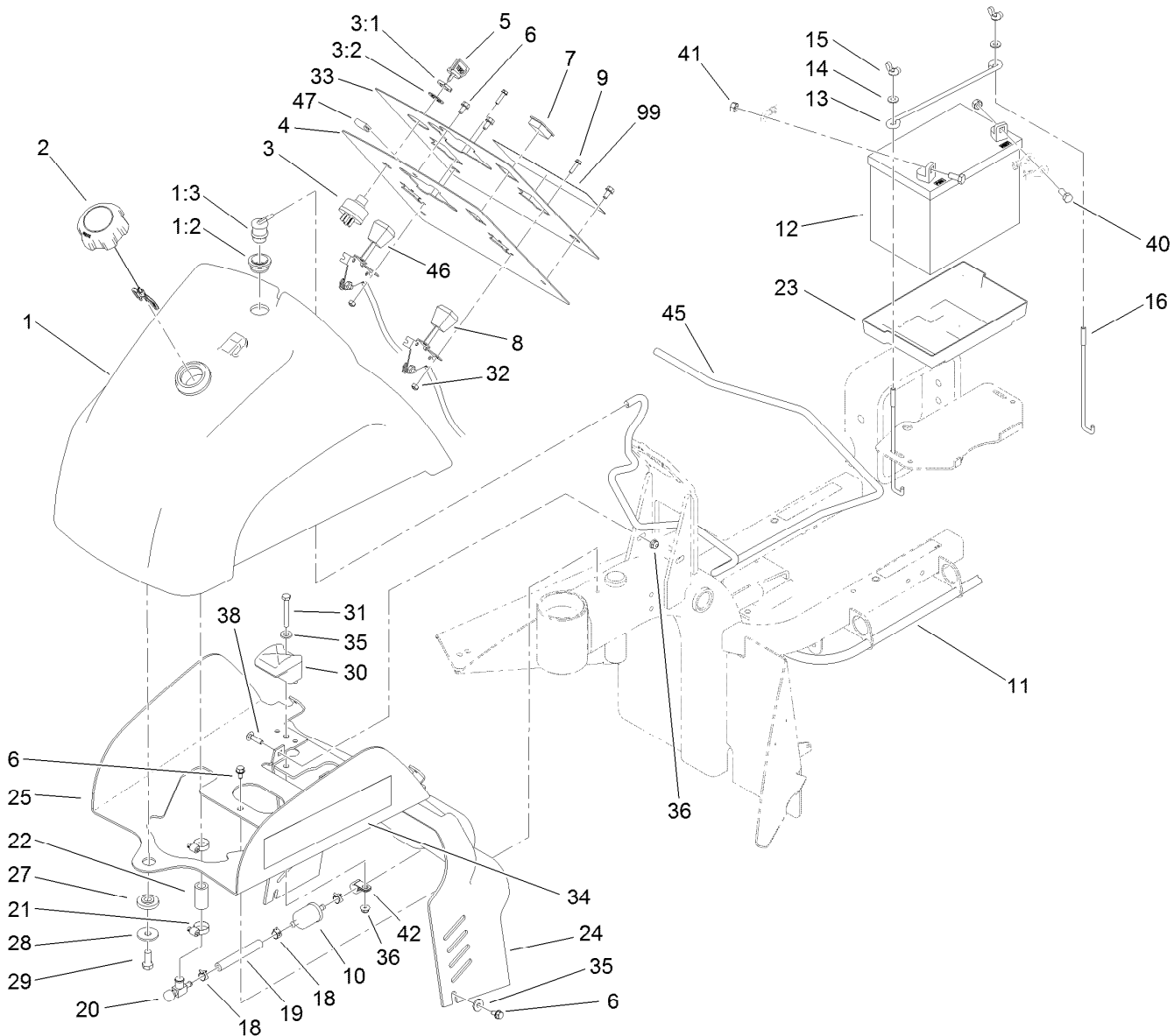
● Not serviced separately



Hydraulic Cylinder Assembly No. 114-0620

| <i>Ref.</i> | <i>Part Number</i> | <i>Qty.</i> | <i>Description</i> |
|-------------|--------------------|-------------|--------------------|
| 1 | 114-0622 | 1 | Seal Kit |
| 1:1 | | 1 | O-Ring ● |
| 1:2 | | 1 | Backup ● |
| 1:3 | | 1 | Bp Seal ● |
| 1:4 | | 1 | Wear Ring ● |
| 1:5 | | 1 | Bs Seal ● |
| 1:6 | | 1 | Dust Seal ● |
| 1:7 | | 1 | O-Ring ● |

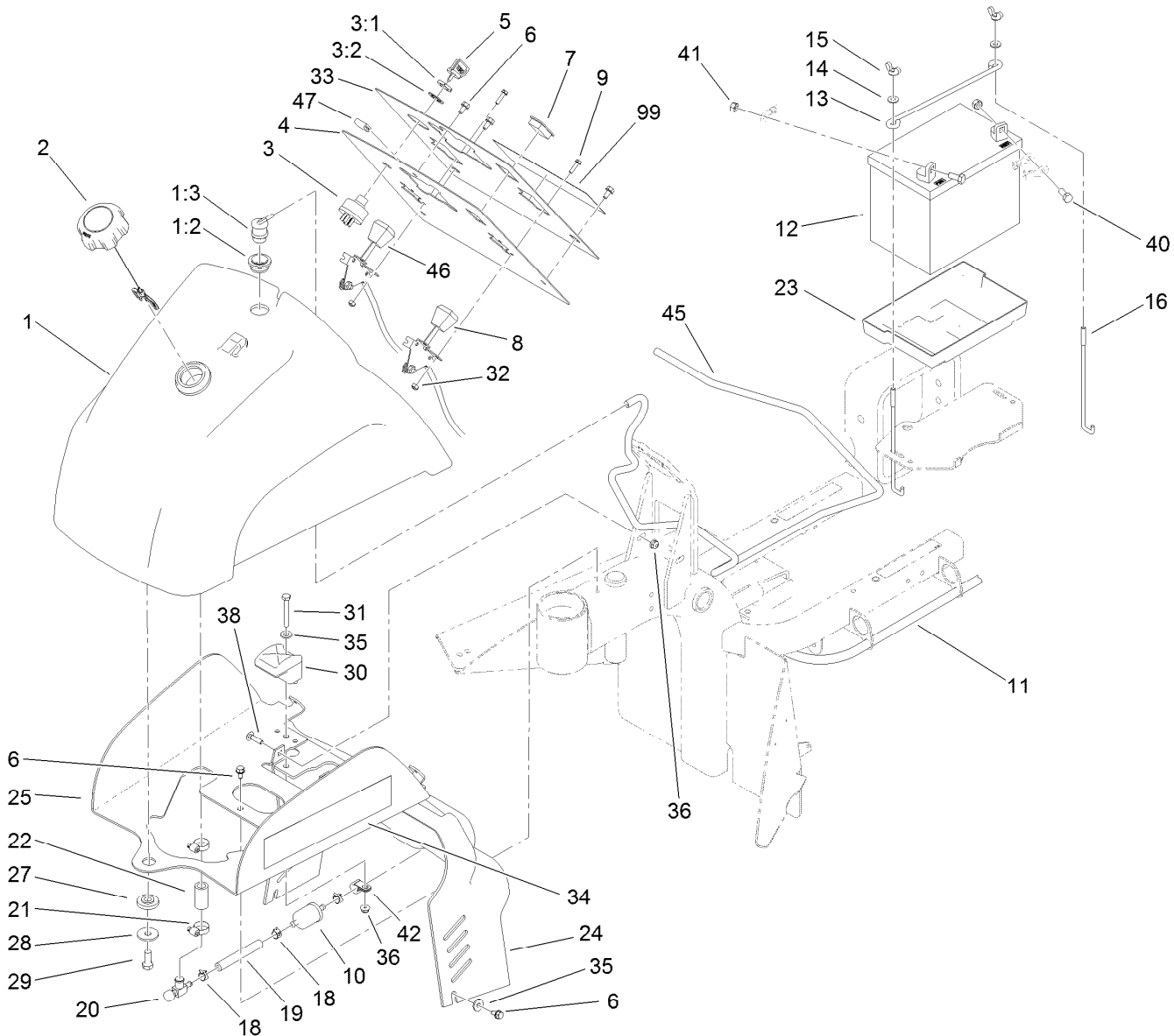
● Not serviced separately



Fuel Tank and Battery Assembly

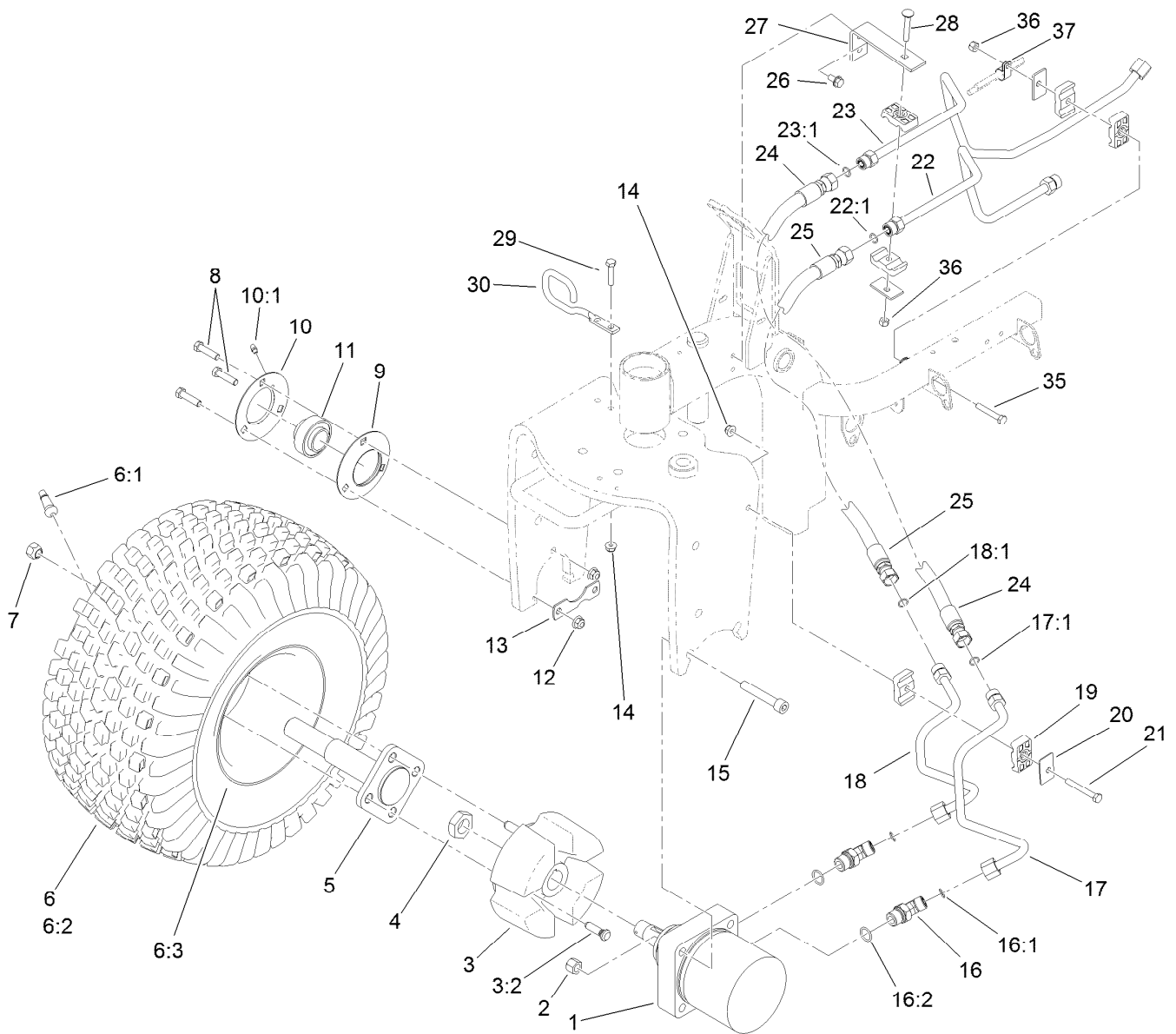
| Ref. | Part Number | Qty. | Description |
|------|-------------|------|-------------------------|
| 1 | 119-2496 | 1 | Fuel Tank ASM |
| 1:2 | 114-0284 | 1 | Grommet |
| 1:3 | 114-0285 | 1 | Valve-Rollover |
| 2 | 115-7788 | 1 | Cap-Fuel |
| 3 | 83-0020 | 1 | Switch-Ignition |
| 3:1 | 218-461 | 1 | Nut-HH |
| 3:2 | 3254-5 | 1 | Washer-Tooth, Internal |
| 4 | 108-6896-03 | 1 | Panel-Dash |
| 5 | 63-8360 | 2 | Key-Ignition (W/Shield) |
| 6 | 32144-10 | 6 | Screw-HWH |
| 7 | 99-7420 | 1 | Plug-Hole |
| 8 | 119-7188 | 1 | Throttle Cable ASM |
| 9 | 3290-321 | 4 | Screw-HWH |
| 10 | 94-2690 | 1 | Filter-Fuel |
| 11 | 110-3372 | 1 | Hose-Fuel |
| 12 | 104-8162 | 1 | Battery |
| 13 | 100-6434 | 1 | Rod-Hold Down, Battery |
| 14 | 3256-22 | 2 | Washer-Flat |
| 15 | 32103-22 | 2 | Nut-Wing |
| 16 | 100-6435 | 2 | Post-Battery |
| 18 | 2412-98 | 4 | Clamp-Hose |

| Ref. | Part Number | Qty. | Description |
|------|-------------|------|----------------------|
| 19 | 109-0660 | 1 | Hose-Fuel |
| 20 | 83-1390 | 1 | Valve-Shut-Off, Fuel |
| 21 | 2412-36 | 2 | Clamp-Hose |
| 22 | 110-3371 | 1 | Hose-Fuel |
| 23 | 106948 | 1 | Tray-Battery |
| 24 | 108-6898 | 1 | Shroud-Dash |
| 25 | 108-6895-01 | 1 | Bracket-Mount, Tank |
| 27 | 240-11 | 1 | Bushing-Flange |
| 28 | 63-8410 | 1 | Washer |
| 29 | 323-5 | 1 | Screw-HH |
| 30 | 107-4543 | 2 | Clamp |
| 31 | 321-18 | 2 | Screw-HH |
| 32 | 3296-2 | 4 | Nut-Lock, NI |
| 33 | 119-2483 | 1 | Decal-Dash |
| 34 | 108-8419 | 2 | Decal |
| 35 | 3256-78 | 4 | Washer-Flat |
| 36 | 104-7201 | 4 | Nut-HF |
| 38 | 3229-1 | 2 | Bolt-CARR |
| 40 | 322-3 | 2 | Screw-HH |
| 41 | 3217-6 | 2 | Nut-Hex |
| 42 | 92-6064 | 1 | Clamp-R |



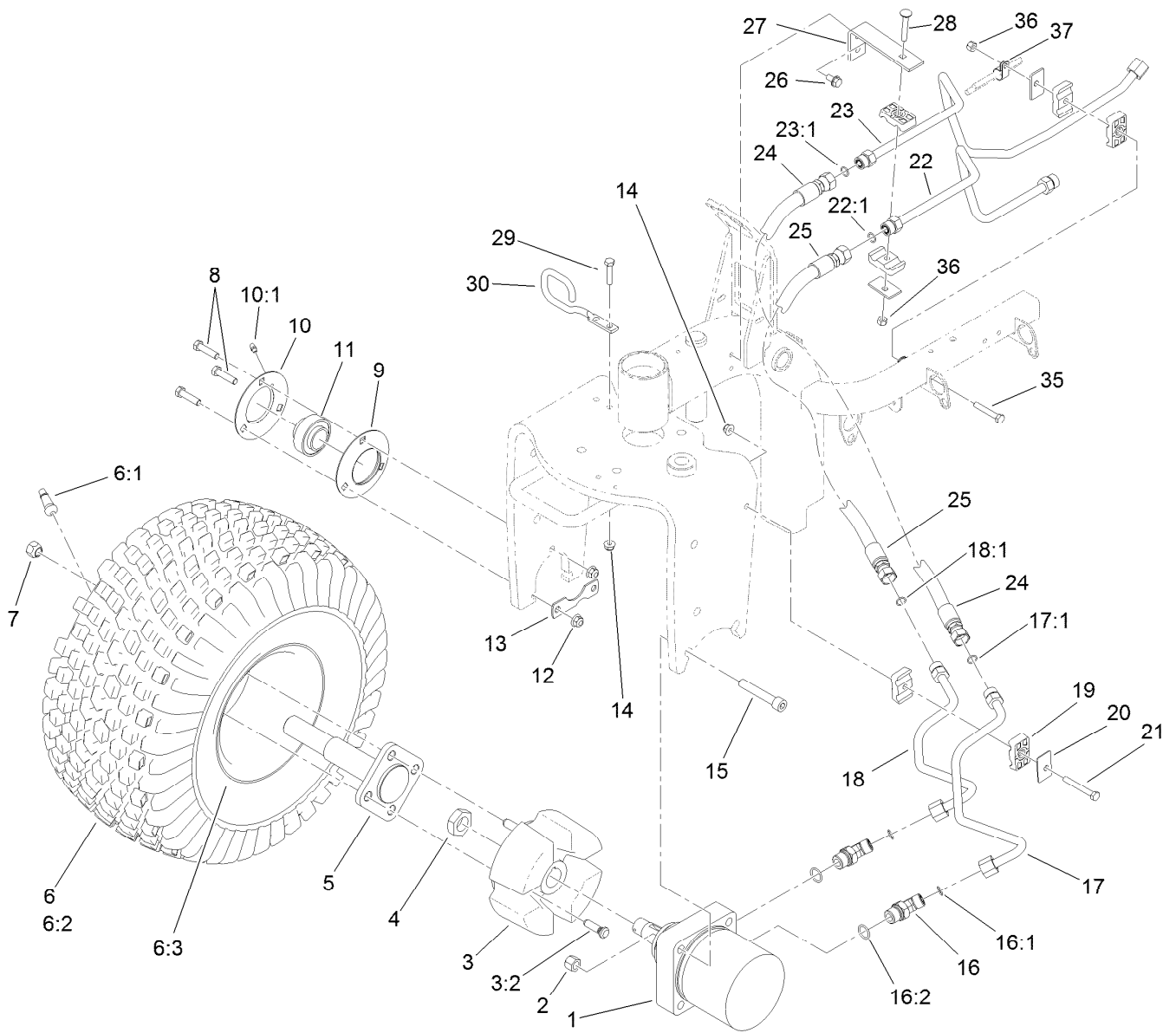
Fuel Tank and Battery Assembly (continued)

| <i>Ref.</i> | <i>Part Number</i> | <i>Qty.</i> | <i>Description</i> | <i>Ref.</i> | <i>Part Number</i> | <i>Qty.</i> | <i>Description</i> |
|-------------|--------------------|-------------|--------------------|-------------|--------------------|-------------|--------------------|
| 45 | 117-9568 | 1 | Hose-Vent, Tank | 47 | 119-2494 | 1 | Seal-Strip |
| 46 | 119-7178 | 1 | Choke Cable ASM | 99 | 119-2484 | 1 | Decal-Dash, Ce |



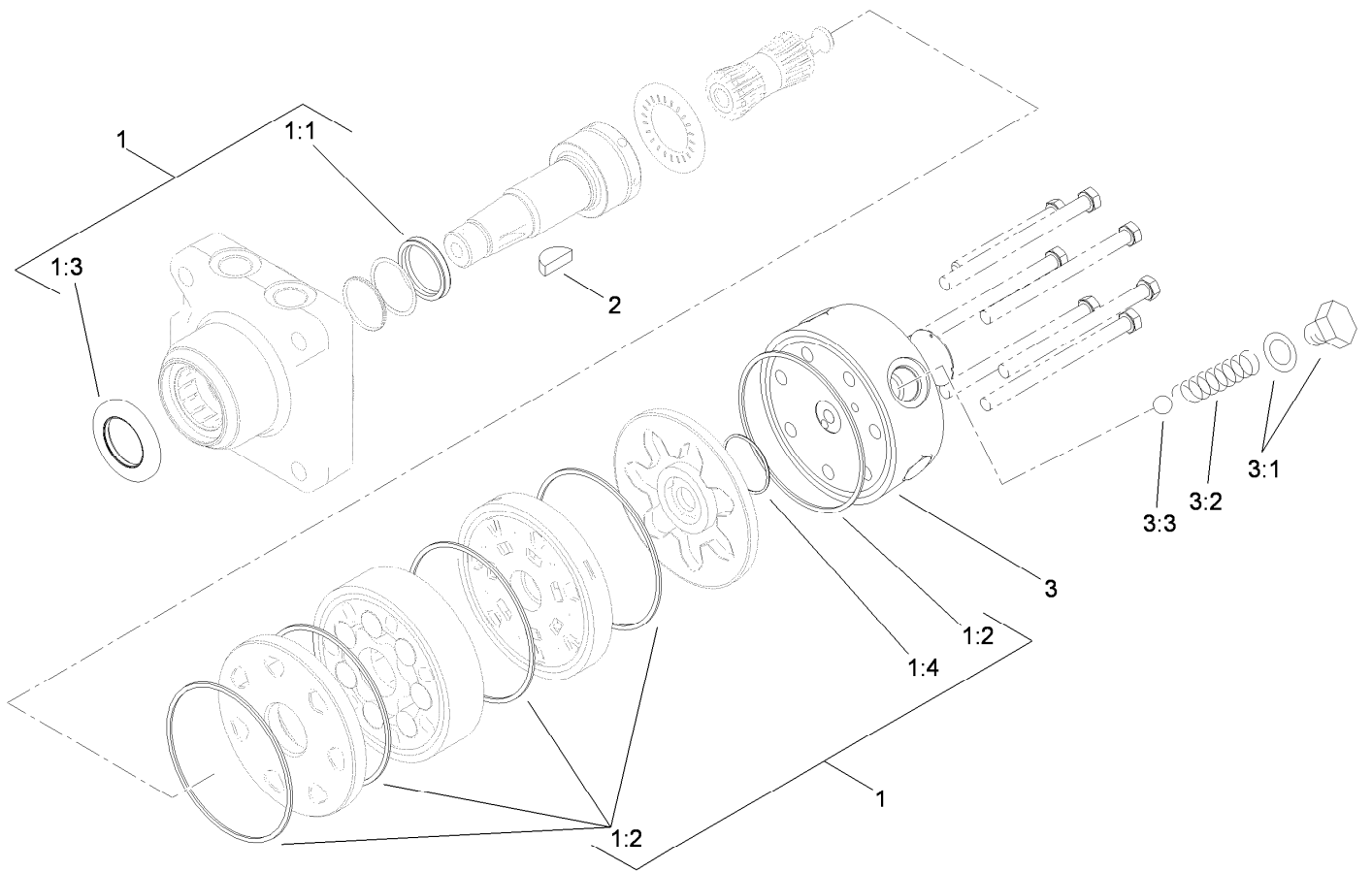
Front Wheel Assembly

| Ref. | Part Number | Qty. | Description | Ref. | Part Number | Qty. | Description |
|------|-------------|------|---------------------|------|-------------|------|---------------|
| 1 | 108-2948 | 1 | HYD Motor ASM (CW) | 16:1 | 237-30 | 1 | O-Ring |
| 2 | 3296-23 | 2 | Nut-Lock, NI | 16:2 | 237-80 | 1 | O-Ring |
| 3 | 110-6310 | 1 | Front Wheel Hub ASM | 17 | 108-8432 | 1 | Tube ASM |
| 3:2 | 10-6830 | 4 | Stud-Type, Drive | 17:1 | 237-30 | 1 | O-Ring |
| 4 | 26-3790 | 1 | Nut-Lock | 18 | 108-8431 | 1 | Tube ASM |
| 5 | 110-6314 | 1 | Spindle | 18:1 | 237-30 | 1 | O-Ring |
| 6 | 95-0621 | 1 | Wheel And Tire ASM | 19 | 56-7976 | 6 | Clamp-Tube |
| 6:1 | 5108 | 1 | Valve | 20 | 69-9760 | 3 | Coverplate |
| 6:2 | 85-8290 | 1 | Tire-2Ply, Knobby | 21 | 322-12 | 1 | Screw-HH |
| 6:3 | 94-6116 | 1 | Wheel-Rear | 22 | 108-8411 | 1 | Tube ASM |
| 7 | 242-50 | 4 | Nut-Lug | 22:1 | 237-30 | 2 | O-Ring |
| 8 | 323-8 | 3 | Screw-HH | 23 | 108-8409 | 1 | Tube ASM |
| 9 | 85-8950 | 1 | Flangette-Standard | 23:1 | 237-30 | 1 | O-Ring |
| 10 | 85-8940 | 1 | Flangette-Relube | 24 | 108-8433 | 1 | HYD Hose ASM |
| 10:1 | 302-5 | 1 | Fitting-Grease | 25 | 110-6303 | 1 | HYD Hose ASM |
| 11 | 251-352 | 1 | Bearing | 26 | 32144-14 | 2 | Screw-HWHTF |
| 12 | 104-8301 | 3 | Nut-Flange, NI | 27 | 108-8455-01 | 1 | Bracket-Clamp |
| 13 | 88-8350 | 1 | Tab-Bearing | 28 | 3230-6 | 1 | Screw-CARR |
| 14 | 104-8300 | 3 | Nut-Flange, NI | 29 | 322-7 | 2 | Screw-HH |
| 15 | 3274-74 | 2 | Screw-HSH | 30 | 108-8435 | 1 | Guide-Hose |
| 16 | 340-89 | 2 | Fitting-HYD, 45 DEG | 35 | 322-10 | 1 | Screw-HH |
| | | | | | | | |



Front Wheel Assembly (continued)

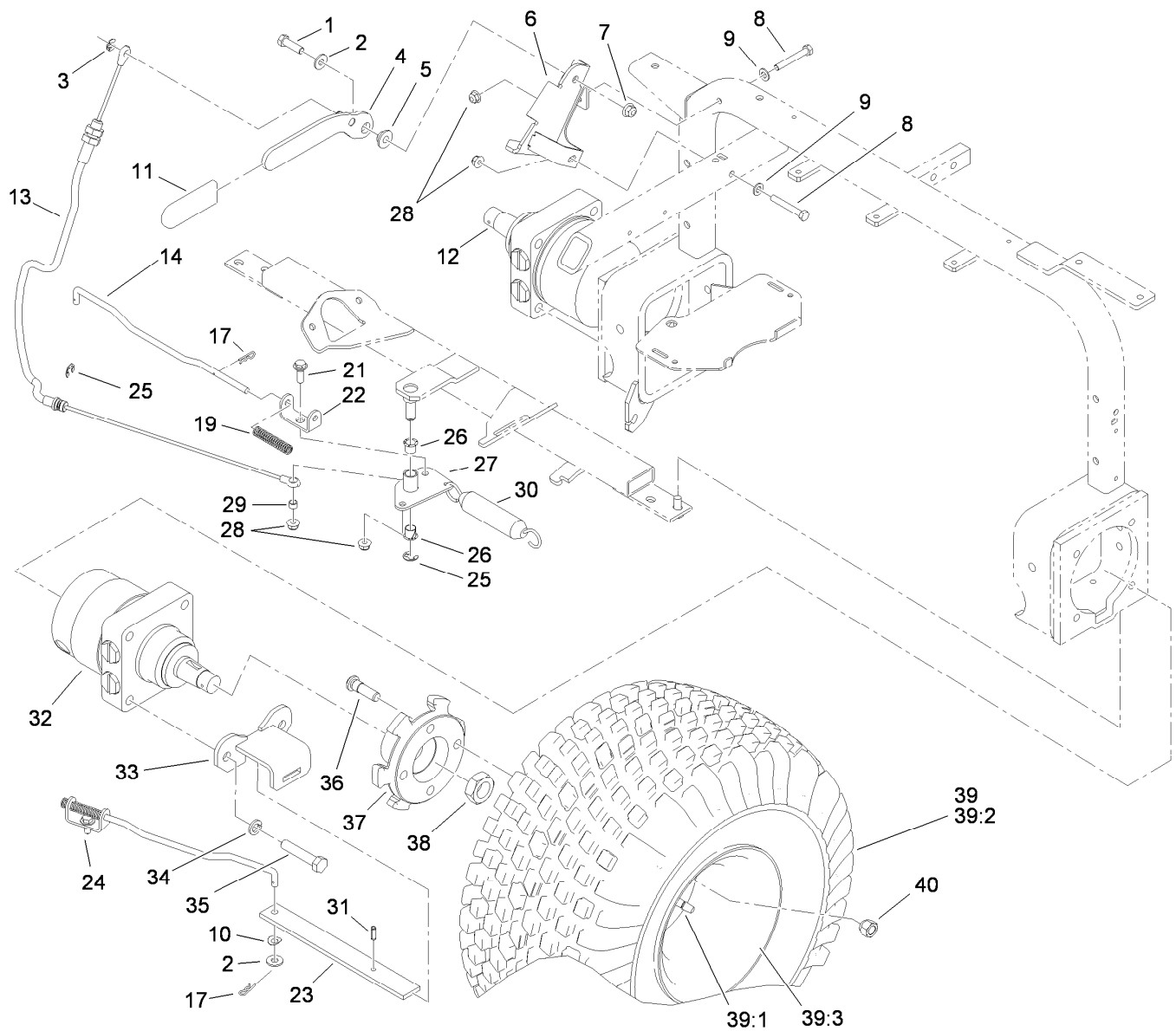
| <i>Ref.</i> | <i>Part Number</i> | <i>Qty.</i> | <i>Description</i> |
|-------------|--------------------|-------------|--------------------|
| 36 | 3296-29 | 2 | Nut-Lock, NI |
| 37 | 2412-41 | 1 | Clamp |



Hydraulic Motor Assembly No. 108-2948

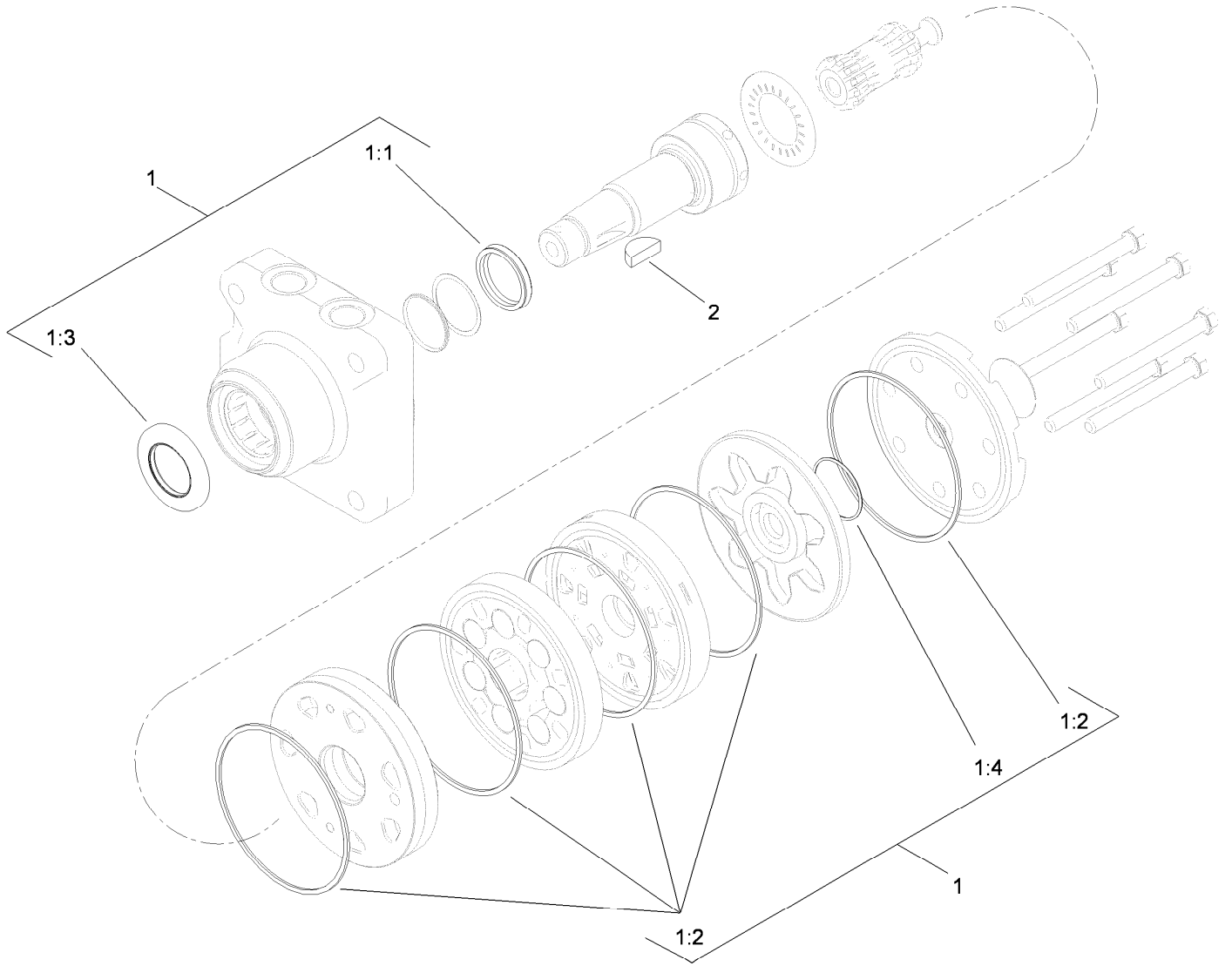
| Ref. | Part Number | Qty. | Description |
|------|-------------|------|-----------------------------|
| 1 | 110-6459 | 1 | Seal Kit |
| 1:1 | | 1 | Seal-Shaft ● |
| 1:2 | | 5 | Seal-Body ● |
| 1:3 | | 1 | Seal-Dirt / Water ● |
| 1:4 | | 1 | Seal-Commutator ● |
| 2 | 3257-42 | 1 | Key-Woodruff |
| 3 | 99-3538 | 1 | End Cover ASM |
| 3:1 | | 1 | Spring Cap And O-Ring ASM ● |
| 3:2 | 99-3541 | 1 | Spring |
| 3:3 | 99-3540 | 1 | Ball |

● Not serviced separately



Rear Wheel Assembly

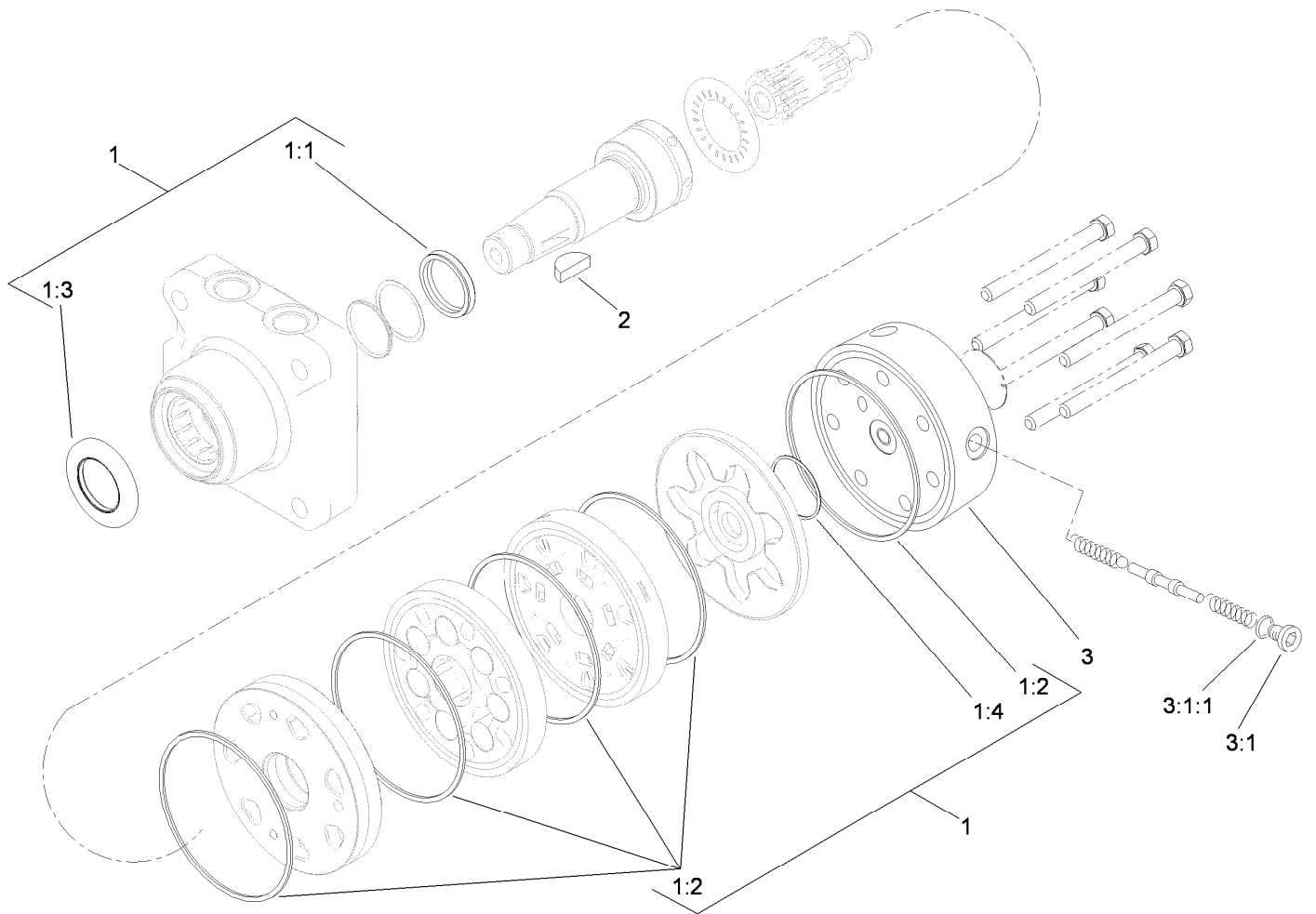
| Ref. | Part Number | Qty. | Description | Ref. | Part Number | Qty. | Description |
|------|-------------|------|-------------------------|------|-------------|------|--------------------------|
| 1 | 323-7 | 1 | Screw-HH | 25 | 32120-47 | 2 | Ring-Retaining, External |
| 2 | 3256-3 | 3 | Washer-Flat | 26 | 256-257 | 2 | Bushing-Nyliner |
| 3 | 32151-47 | 1 | Ring-Retaining | 27 | 108-7979-03 | 1 | Bellcrank ASM |
| 4 | 108-7991-03 | 1 | Brake Lever ASM | 28 | 104-8300 | 4 | Nut-Flange, NI |
| 5 | 108-7994 | 1 | Bushing-Pivot, Lever | 29 | 108-7983 | 1 | Bushing-Cable |
| 6 | 121-2520 | 1 | Brake Lever Bracket ASM | 30 | 66-4270 | 1 | Spring-Extension |
| 7 | 104-8301 | 1 | Nut-Flange, NI | 31 | 32121-11 | 2 | Pin-Roll |
| 8 | 322-11 | 2 | Screw-HH | 32 | 108-2947 | 1 | HYD Motor ASM (CCW) |
| 9 | 3256-23 | 2 | Washer-Flat | 33 | 108-7973-03 | 2 | Brake Bracket ASM |
| 10 | 3290-301 | 2 | Washer-Spring | 34 | 3253-7 | 8 | Washer-Lock |
| 11 | 21-1880 | 1 | Grip-Handle | 35 | 325-10 | 8 | Screw-HH |
| 12 | 108-2949 | 1 | HYD Motor ASM (CW) | 36 | 85-6540 | 8 | Stud-Drive |
| 13 | 108-7913 | 1 | Cable-Brake, Park | 37 | 108-7977-03 | 2 | Hub-Wheel |
| 14 | 108-7987 | 2 | Link-Latch, Parking | 38 | 26-3790 | 2 | Nut-Lock |
| 17 | 3290-307 | 4 | Pin-Hair | 39 | 95-0621 | 2 | Wheel And Tire ASM |
| 19 | 107-3376 | 2 | Spring-Compression | 39:1 | 5108 | 1 | Valve |
| 21 | 19-1471 | 1 | Screw-Shoulder | 39:2 | 85-8290 | 1 | Tire-2Ply, Knobby |
| 22 | 114-0631 | 2 | Clevis-Latch, Parking | 39:3 | 94-6116 | 1 | Wheel-Rear |
| 23 | 108-7986-03 | 2 | Bar-Brake | 40 | 242-50 | 8 | Nut-Lug |
| 24 | 19-1470 | 1 | Screw-Shoulder | | | | |



Hydraulic Motor Assembly No. 108-2949

| Ref. | Part Number | Qty. | Description |
|------|-------------|------|---------------------|
| 1 | 110-6459 | 1 | Seal Kit |
| 1:1 | | 1 | Seal-Shaft ● |
| 1:2 | | 5 | Seal-Body ● |
| 1:3 | | 1 | Seal-Dirt / Water ● |
| 1:4 | | 1 | Seal-Commutator ● |
| 2 | 3257-42 | 1 | Key-Woodruff |

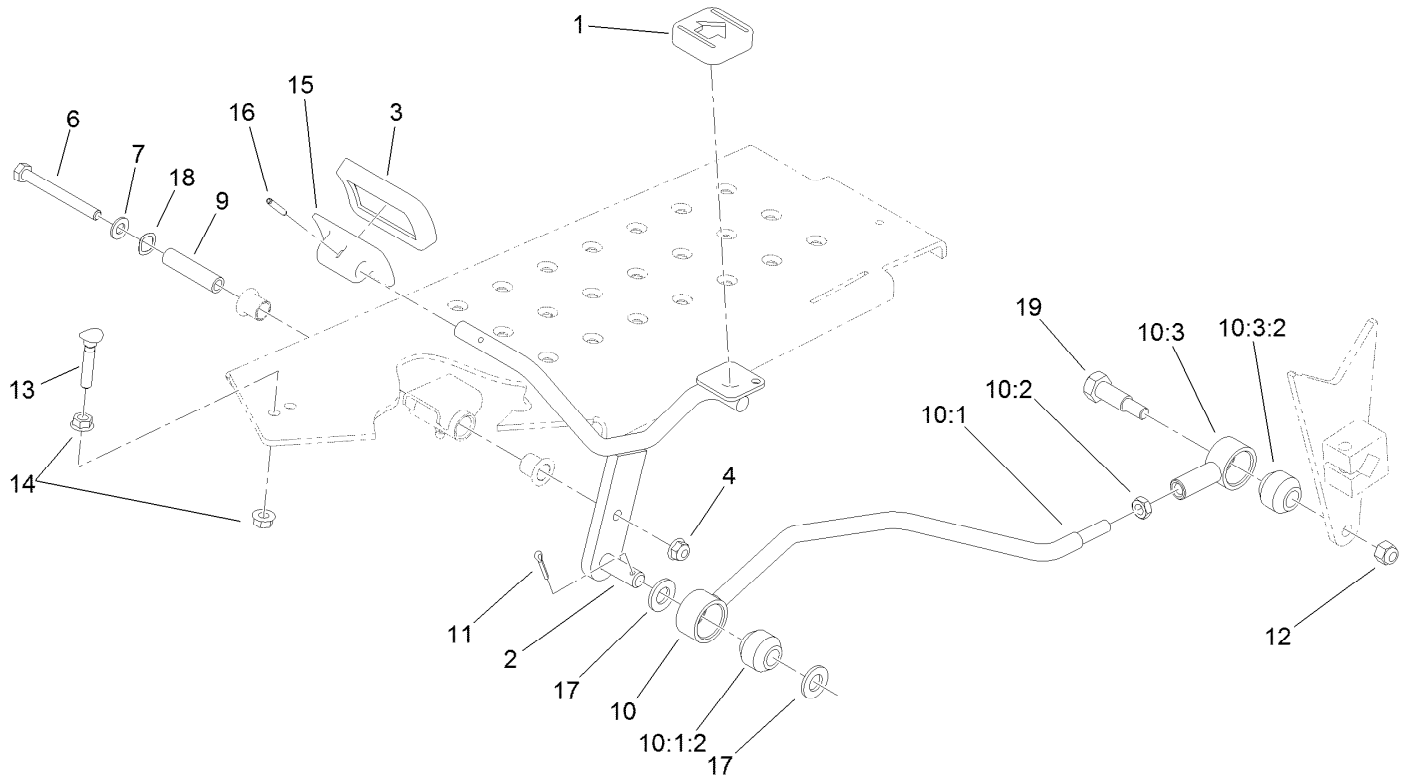
● Not serviced separately



Hydraulic Motor Assembly No. 108-2947

| Ref. | Part Number | Qty. | Description |
|-------|-------------|------|---------------------|
| 1 | 110-6459 | 1 | Seal Kit |
| 1:1 | | 1 | Seal-Shaft ● |
| 1:2 | | 5 | Seal-Body ● |
| 1:3 | | 1 | Seal-Dirt / Water ● |
| 1:4 | | 1 | Seal-Commutator ● |
| 2 | 3257-42 | 1 | Key-Woodruff |
| 3 | 110-3381 | 1 | End Cover ASM |
| 3:1 | 353-990 | 1 | Plug |
| 3:1:1 | 237-78 | 1 | O-Ring |

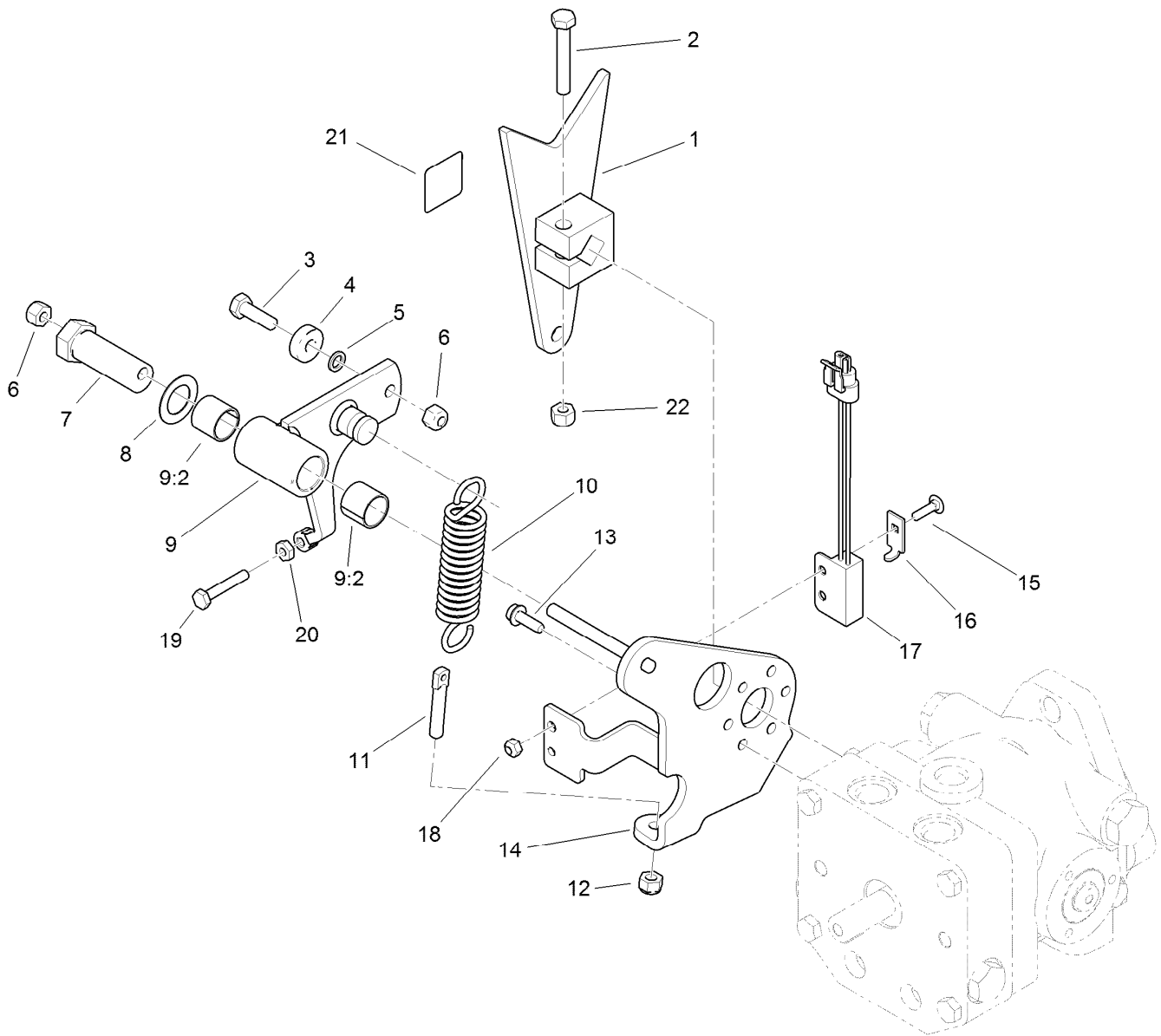
● Not serviced separately



Traction Pedal Assembly

| <i>Ref.</i> | <i>Part Number</i> | <i>Qty.</i> | <i>Description</i> | <i>Ref.</i> | <i>Part Number</i> | <i>Qty.</i> | <i>Description</i> |
|-------------|--------------------|-------------|--------------------|-------------|--------------------|-------------|----------------------|
| 1 | 74-9110 | 1 | Pad-Pedal, Reverse | 10:3 | 115-5623 | 1 | Isolated Rod End ASM |
| 2 | 108-5498-01 | 1 | Pedal ASM | 10:3:2 | 23-2270 | 1 | Bushing-Rubber |
| 3 | 74-9100 | 1 | Pad-Pedal, Forward | 11 | 3272-10 | 1 | Pin-Cotter |
| 4 | 104-8300 | 1 | Nut-Flange, NI | 12 | 3296-39 | 1 | Nut-Lock, NI |
| 6 | 322-14 | 1 | Screw-HH | 13 | 17-9420 | 1 | Screw-Handle |
| 7 | 3256-23 | 1 | Washer-Flat | 14 | 32128-20 | 2 | Nut-HF |
| 9 | 85-8960 | 1 | Spacer | 15 | 117-9507 | 1 | Pedal-Accelerator |
| 10 | | 1 | Traction Rod ASM ● | 16 | 32121-45 | 1 | Pin-Spring |
| 10:1 | 115-5626 | 1 | Rod ASM | 17 | 106-9888 | 2 | Washer-Flat |
| 10:1:2 | 23-2270 | 1 | Bushing-Rubber | 18 | 108473 | 1 | Washer-Wave |
| 10:2 | 3220-3 | 1 | Nut-HJ | 19 | 117-4698 | 1 | Screw-Shoulder, HH |

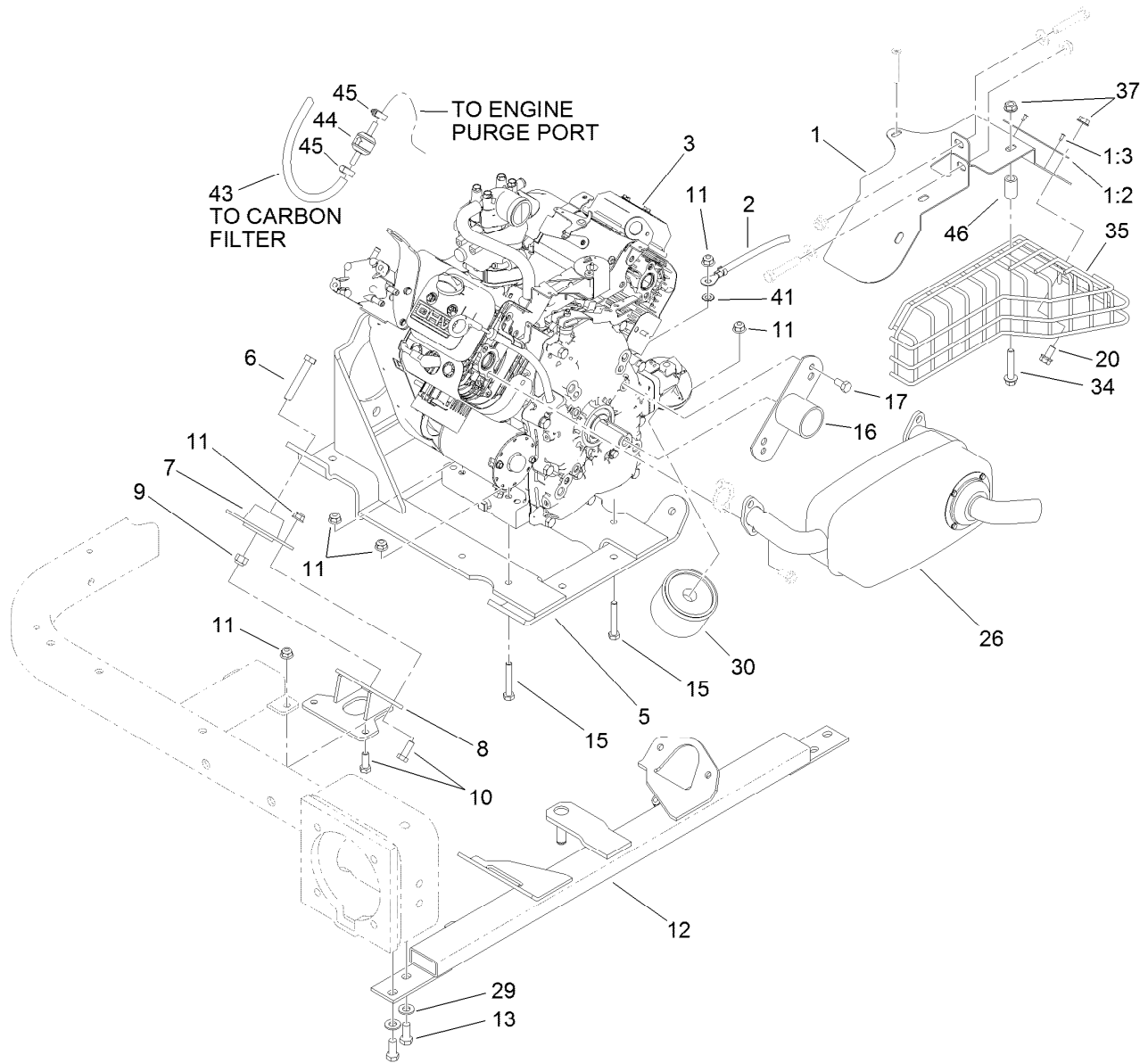
● Not serviced separately



Pump Control Lever Assembly

| Ref. | Part Number | Qty. | Description |
|------|-------------|------|--------------------------|
| 1 | 112-6458-03 | 1 | Pump Lever ASM |
| 2 | 323-11 | 1 | Screw-HH |
| 3 | 322-5 | 1 | Screw-HH |
| 4 | 251-307 | 1 | Bearing-Ball |
| 5 | 75-5470 | 1 | Spacer-Bearing |
| 6 | 3296-29 | 2 | Nut-Lock, NI |
| 7 | 76-8640 | 1 | Stud-Traction |
| 8 | 3-6498 | 1 | Washer-Thrust |
| 9 | 119-7196 | 1 | Arm ASM |
| 9:2 | 94-9609 | 2 | Bushing-Straight |
| 10 | 85-9030 | 1 | Spring-Extension |
| 11 | 18-6380 | 1 | Pin-Adjustment, Steering |

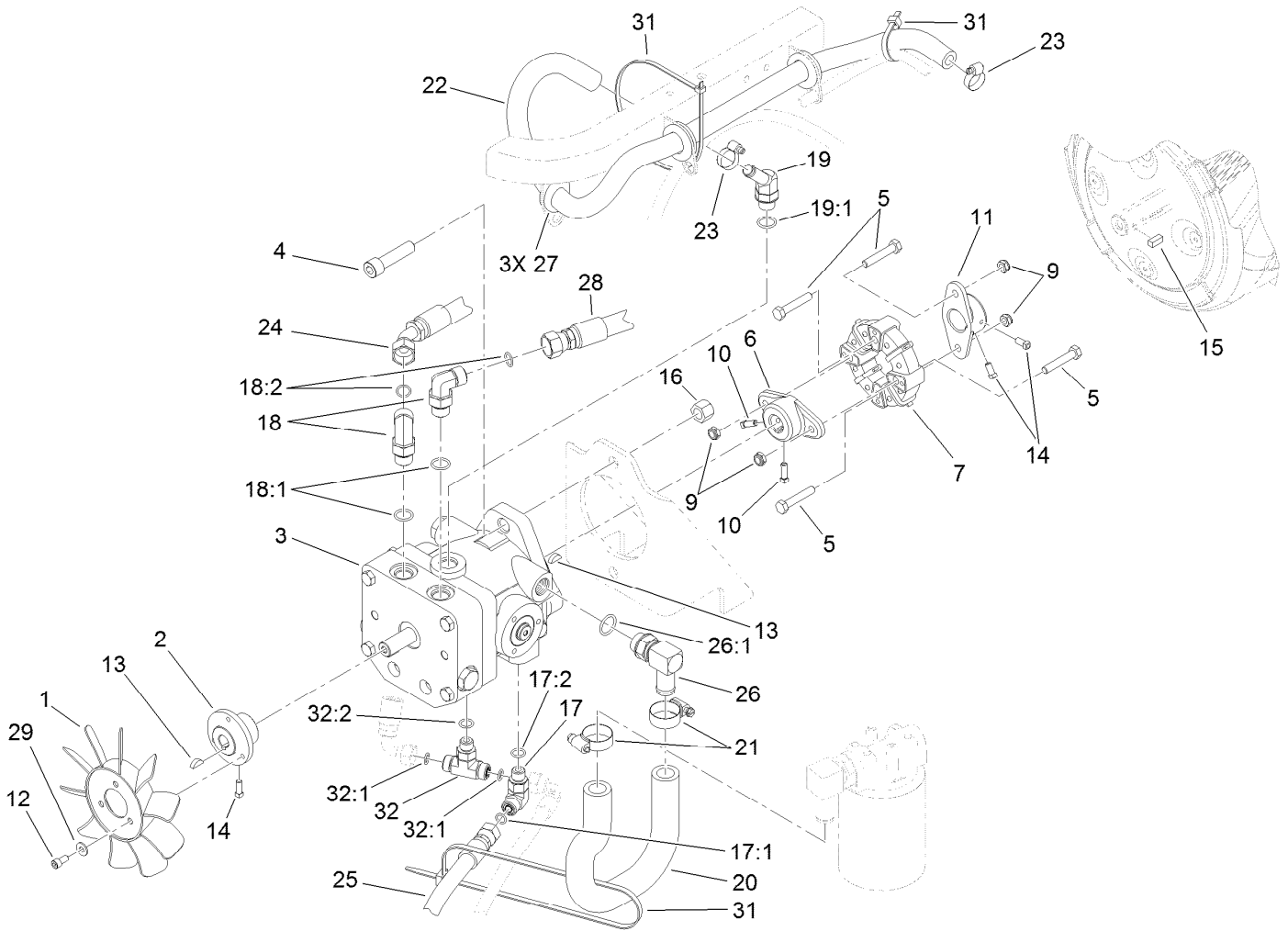
| Ref. | Part Number | Qty. | Description |
|------|-------------|------|-----------------------|
| 12 | 3296-4 | 1 | Nut-Lock |
| 13 | 49-2040 | 3 | Screw-HWHTF |
| 14 | 108-5490-03 | 1 | Pump Plate ASM |
| 15 | 3229-20 | 1 | Screw-CARR |
| 16 | 100-4872 | 1 | Plate-Switch, Neutral |
| 17 | 105-0023 | 1 | Switch-Proximity |
| 18 | 3296-2 | 1 | Nut-Lock, NI |
| 19 | 321-43 | 1 | Capscrew |
| 20 | 3218-1 | 1 | Nut-Jam |
| 21 | 93-9051 | 1 | Decal-Bolt, Eccentric |
| 22 | 3296-39 | 1 | Nut-Lock, NI |



Engine Installation Assembly

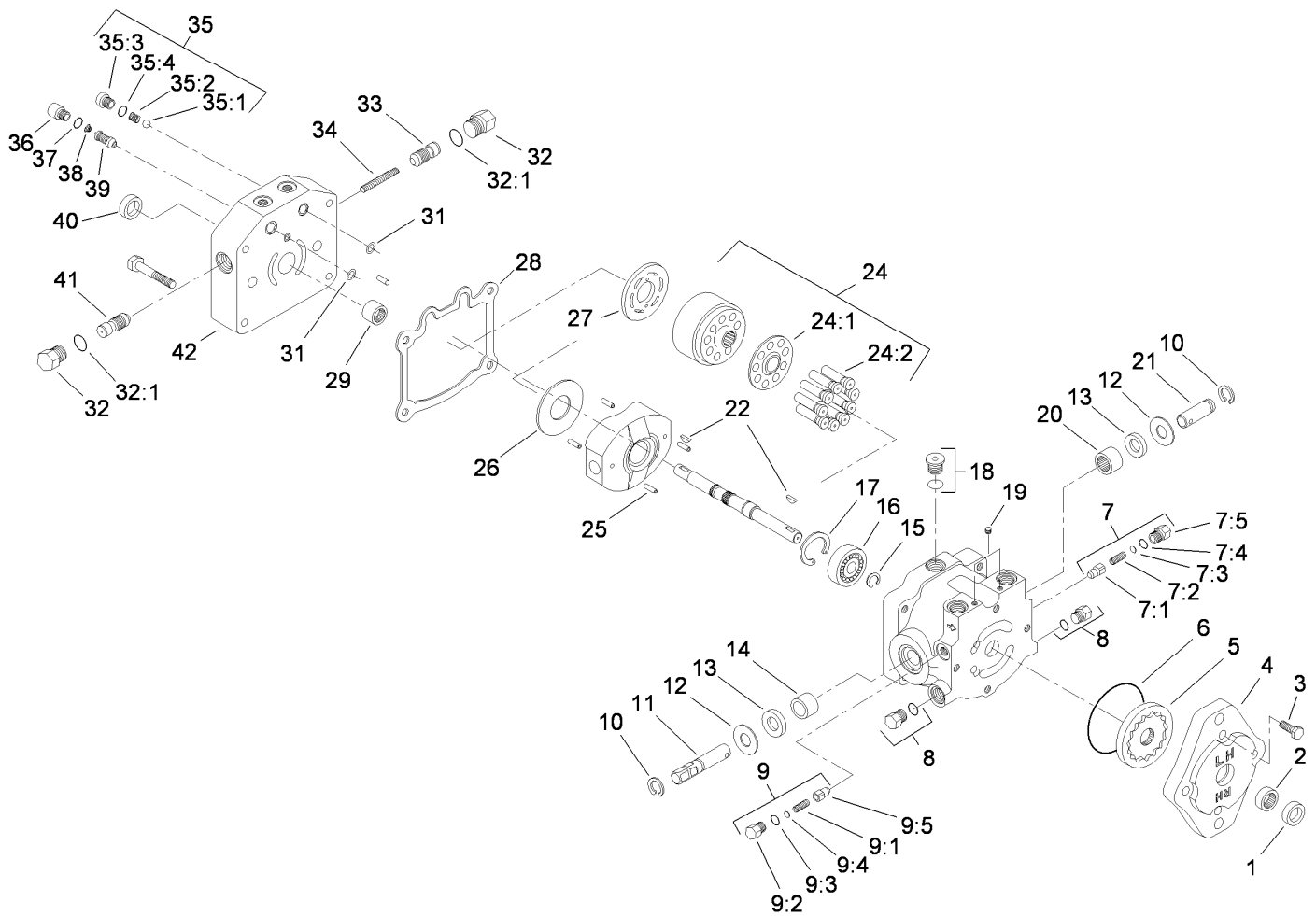
| Ref. | Part Number | Qty. | Description | Ref. | Part Number | Qty. | Description |
|------|-------------|------|------------------------------------|------|-------------|------|---------------------|
| 1 | 119-7191 | 1 | Muffler Shield ASM | 15 | 322-10 | 4 | Screw-HH |
| 1:2 | 95-0645 | 1 | Plate-Surface, Hot | 16 | 95-0632-03 | 1 | Cover ASM |
| 1:3 | 3269-32 | 2 | Rivet-Pop | 17 | 3210-2 | 2 | Screw-HH |
| 2 | 54-3093 | 1 | Cable-Battery, Negative | 20 | 94-5780 | 2 | Screw-HWH |
| 3 | 120-3403 | 1 | Engine-Briggs, 356447-0304-G2 ● | 26 | 120-3476 | 1 | Muffler-Dual Inlet |
| 5 | 108-2809-03 | 1 | Engine Support ASM | 29 | 3256-24 | 4 | Washer-Flat |
| 6 | 323-11 | 4 | Screw-HH | 30 | 107-7817 | 1 | Filter-Oil, Engine |
| 7 | 83-1030 | 4 | Mount-Engine | 34 | 3234-14 | 2 | Screw-HHF |
| 8 | 108-8474-01 | 2 | Front Mount ASM | 35 | 110-6348-03 | 1 | Shield-Exhaust |
| 9 | 104-8301 | 4 | Nut-Flange, NI | 37 | 32128-25 | 4 | Nut-HF |
| 10 | 322-4 | 12 | Screw-HH | 41 | 3255-8 | 1 | Washer-Lock |
| 11 | 104-8300 | 16 | Nut-Flange, NI | 43 | 117-9569 | 1 | Hose-Fuel |
| 12 | 120-3461-01 | 1 | Engine Mount ASM | 44 | 115-7868 | 1 | Valve-Check, Vacuum |
| 13 | 323-5 | 4 | Screw-HH | 45 | 2412-108 | 2 | Clamp-Worm |
| | | | | 46 | 59-2580 | 2 | Spacer-Tubular |

● Obtain parts from www.briggsandstratton.com



Pump and Coupling Assembly

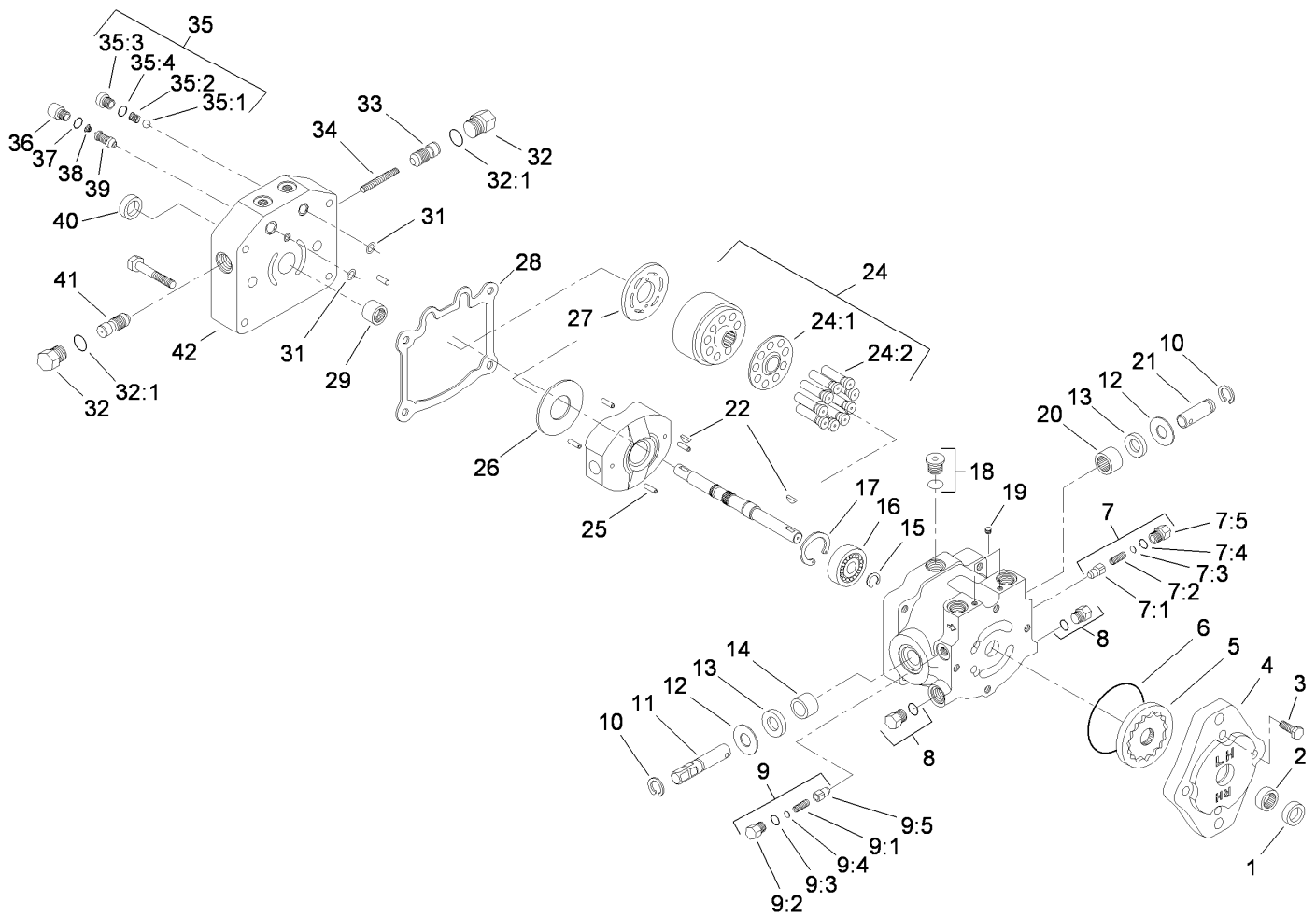
| Ref. | Part Number | Qty. | Description | Ref. | Part Number | Qty. | Description |
|------|-------------|------|--------------------------|------|-------------|------|---------------------|
| 1 | 1-633869 | 1 | Fan-Pump, Cooling | 18:1 | 237-79 | 1 | O-Ring |
| 2 | 108-5484 | 1 | Hub-Fan | 18:2 | 237-30 | 1 | O-Ring |
| 3 | 114-0612 | 1 | Variable Piston Pump ASM | 19 | 354-126 | 1 | Fitting-HYD, 45 DEG |
| 4 | 3274-5 | 2 | Screw-HSH | 19:1 | 237-79 | 1 | O-Ring |
| 5 | 322-9 | 4 | Screw-HH | 20 | 108-5481 | 1 | Hose-Suction |
| 6 | 110-9695 | 1 | Hub-Pump | 21 | 2412-129 | 2 | Clamp-Hose |
| 7 | 119-0652 | 1 | Coupler-Rubber | 22 | 110-1325 | 1 | Hose-Return |
| 9 | 3296-47 | 4 | Nut-Lock, NI | 23 | 2412-36 | 2 | Clamp-Hose |
| 10 | 3241-6 | 2 | Screw-SQH | 24 | 108-8440 | 1 | Hose ASM |
| 11 | 110-5236 | 1 | Hub-Engine | 25 | 108-8428 | 1 | HYD Hose ASM |
| 12 | 3274-52 | 3 | Screw-HSH | 26 | 87-8170 | 1 | Fitting |
| 13 | 3257-32 | 2 | Key-Woodruff | 26:1 | 237-80 | 1 | O-Ring |
| 14 | 3241-7 | 4 | Screw-SQH | 27 | 240-4 | 3 | Grommet-Rubber |
| 15 | 85-9020 | 1 | Key-Square | 28 | 110-1322 | 1 | HYD Hose ASM |
| 16 | 3296-23 | 2 | Nut-Lock, NI | 29 | 3256-22 | 3 | Washer-Flat |
| 17 | 340-77 | 1 | Fitting-HYD, 90 DEG | 31 | 3290-379 | 4 | Tie-Cable |
| 17:1 | 237-22 | 1 | O-Ring | 32 | 340-94 | 1 | Adapter |
| 17:2 | 237-42 | 1 | O-Ring | 32:1 | 237-22 | 2 | O-Ring |
| 18 | 340-98 | 2 | Fitting-HYD, 90 DEG | 32:2 | 237-42 | 1 | O-Ring |



Variable Piston Pump Assembly No. 114-0612

| Ref. | Part Number | Qty. | Description | Ref. | Part Number | Qty. | Description |
|------|-------------|------|----------------------|------|-------------|------|---------------------|
| 1 | 93-4133 | 1 | Seal-Lip | 9:5 | 83-7260 | 1 | Cone-Relief, Charge |
| 2 | 67-8050 | 1 | Bearing-Needle | 10 | 32151-46 | 2 | Ring-Retaining |
| 3 | 322-4 | 4 | Screw-HH | 11 | 88-8180 | 1 | Shaft-Trunnion |
| 4 | 114-0611 | 1 | Housing-Pump, Charge | 12 | 25-2510 | 2 | Washer-Flat |
| 5 | 95-5812 | 1 | Gerotor ASM | 13 | 25-3210 | 2 | Seal-Lip |
| 6 | 237-95 | 1 | O-Ring | 14 | 88-8190 | 1 | Bearing-Journal |
| 7 | 49-8520 | 1 | Implement Relief Kit | 15 | 32151-83 | 1 | Ring-Snap |
| 7:1 | 83-7260 | 1 | Cone-Relief, Charge | 16 | 95-5809 | 1 | Bearing-Ball |
| 7:2 | 25-2570 | 1 | Spring-Valve | 17 | 32151-75 | 1 | Ring-Retaining |
| 7:3 | 25-2470 | 1 | Pack-Shim | 18 | 67-9090 | 1 | Plug ASM |
| 7:4 | 237-86 | 1 | O-Ring | 19 | 75-0160 | 1 | Plug-Pipe |
| 7:5 | 25-2460 | 1 | Plug-HH | 20 | 252-82 | 1 | Bearing-Needle |
| 8 | 67-8030 | 2 | Plug ASM | 21 | 25-2500 | 1 | Shaft-Trunnion |
| 9 | 49-8510 | 1 | Valve Kit | 22 | 3257-32 | 2 | Key-Woodruff |
| 9:1 | 25-2480 | 1 | Spring-Valve | 24 | 48-1800 | 1 | Cylinder Block Kit |
| 9:2 | 25-2460 | 1 | Plug-HH | 24:1 | | 1 | Retainer-Slipper ● |
| 9:3 | 237-86 | 1 | O-Ring | 24:2 | | 9 | Piston ASM ● |
| 9:4 | 25-2470 | 1 | Pack-Shim | 25 | 32121-91 | 4 | Pin-Spring |

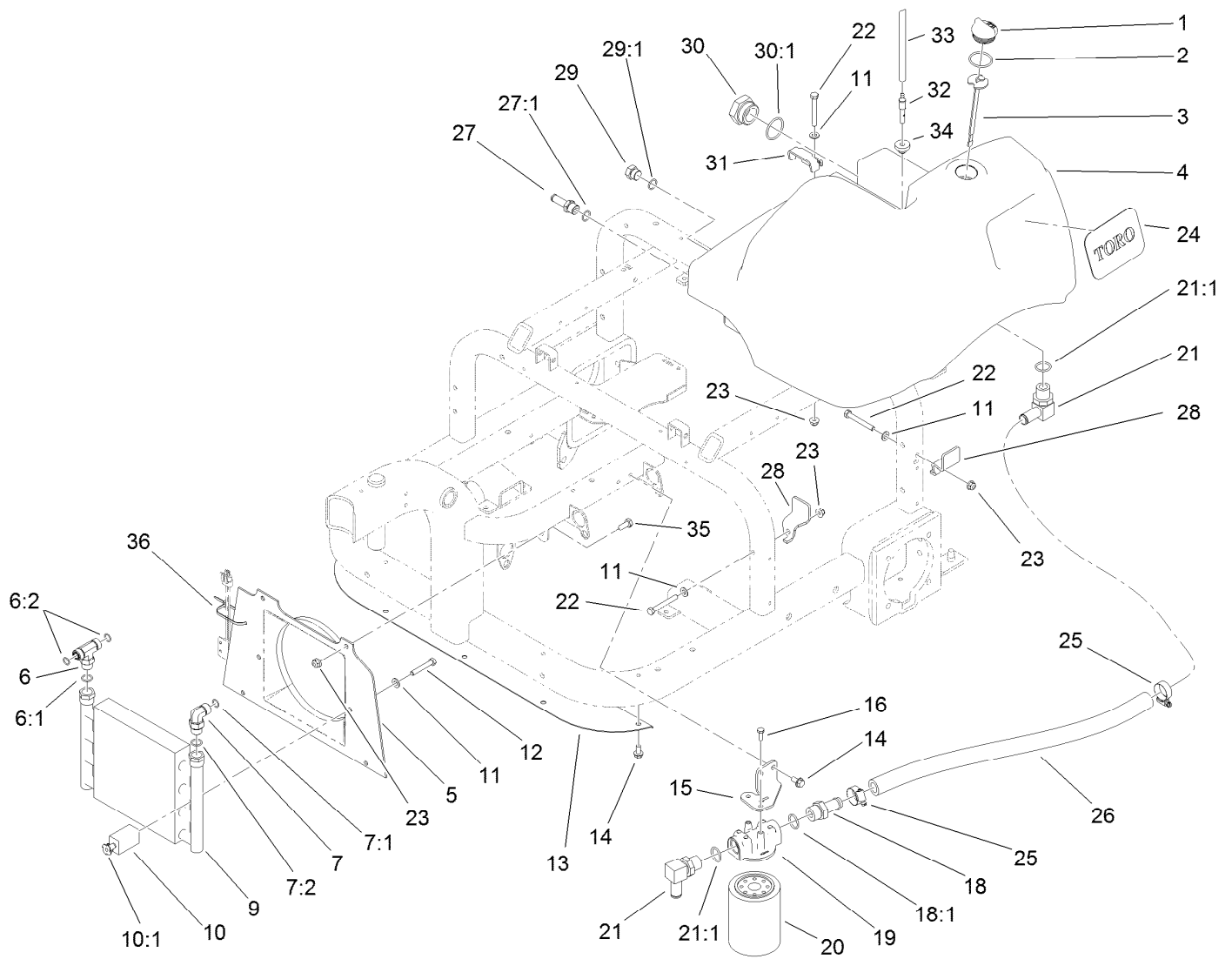
● Not serviced separately



Variable Piston Pump Assembly No. 114-0612 (continued)

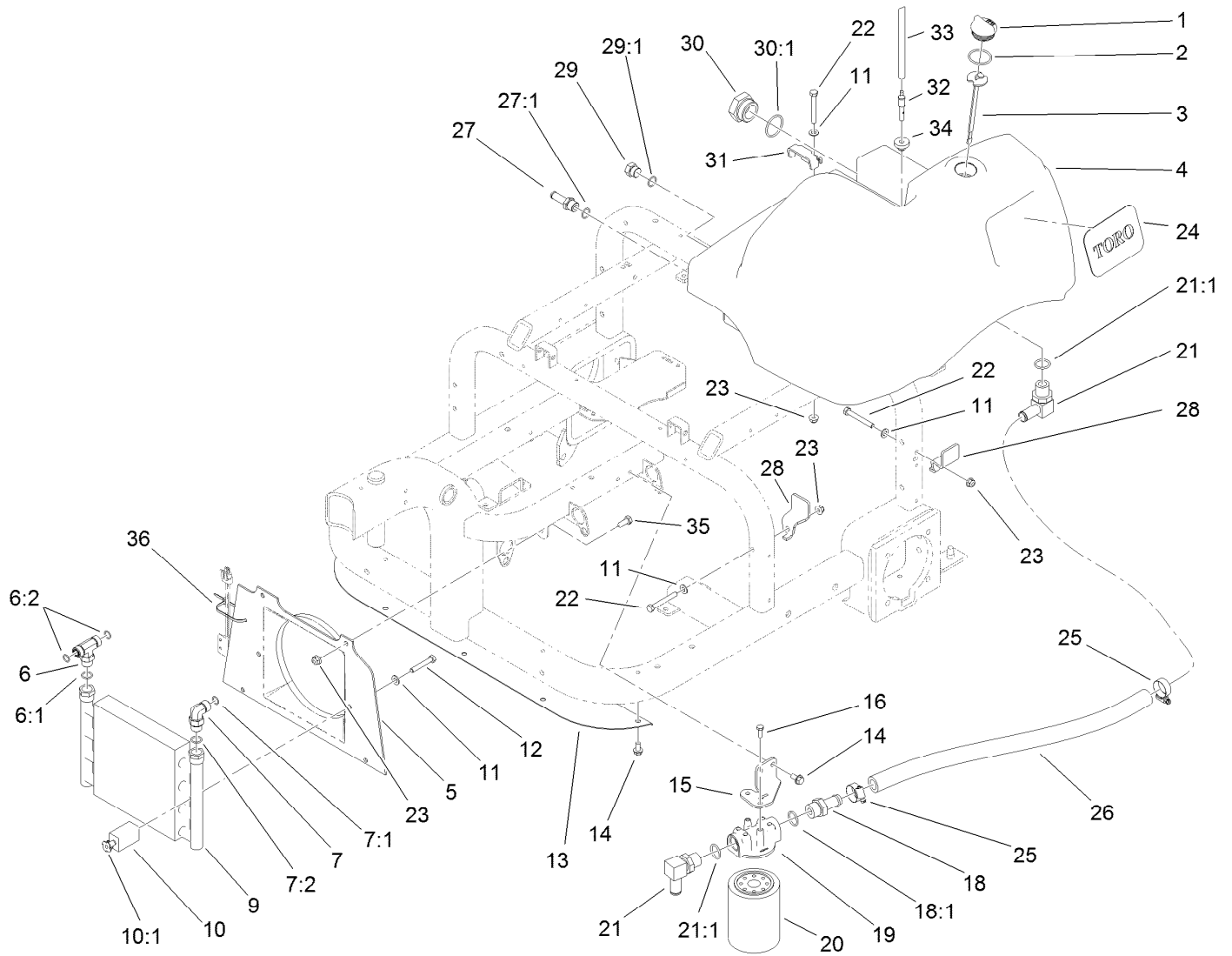
| Ref. | Part Number | Qty. | Description | Ref. | Part Number | Qty. | Description |
|------|-------------|------|--------------------|------|-------------|------|--------------------|
| 26 | 25-2380 | 1 | Plate-Thrust | 35:2 | 25-2640 | 1 | Spring-Valve |
| 27 | 88-8160 | 1 | Plate-Valve | 35:3 | 25-2650 | 1 | Plug-Valve, Check |
| 28 | 25-2400 | 1 | Gasket | 35:4 | 237-86 | 1 | O-Ring |
| 29 | 110-6341 | 1 | Bearing-Roller | 36 | 75-0190 | 1 | Plug-Special |
| 31 | 112-7652 | 2 | O-Ring | 37 | 75-0240 | 1 | O-Ring |
| 32 | 28-3440 | 1 | Plug-Threaded | 38 | 110-6342 | 1 | Spring |
| 32:1 | 75-0240 | 1 | O-Ring | 39 | 110-6343 | 1 | Valve-Scr |
| 33 | 98-0920 | 1 | Valve-Acceleration | 40 | 88-8230 | 1 | Seal-Lip |
| 34 | 25-2610 | 1 | Spring-Valve | 41 | 98-0920 | 1 | Valve-Acceleration |
| 35 | 99-5689 | 1 | Check Valve Kit | 42 | 112-7651 | 1 | Cap-End |
| 35:1 | 25-2490 | 1 | Ball | | | | |

● Not serviced separately



Hydraulic Tank, Filter and Cooler Assembly

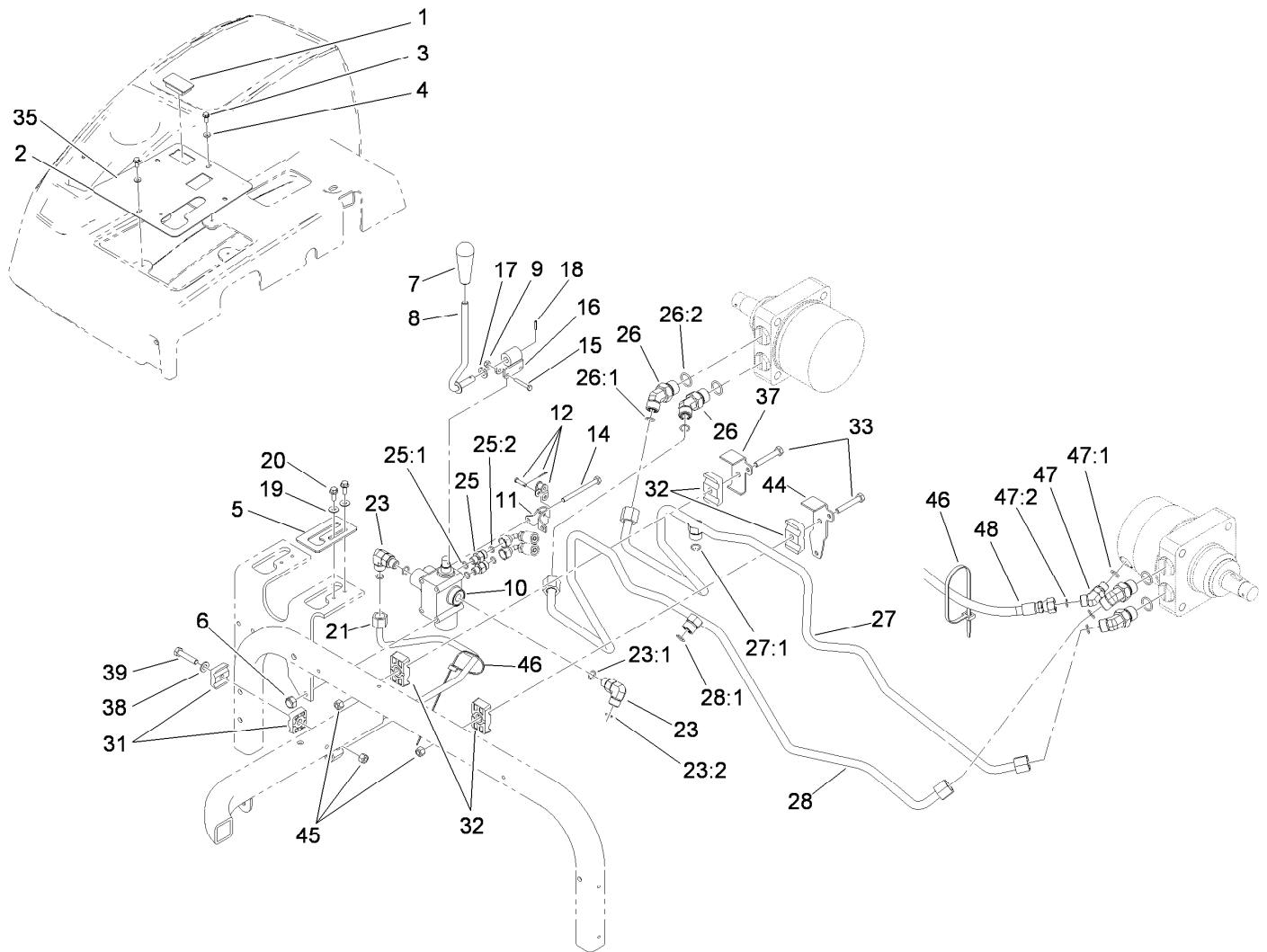
| Ref. | Part Number | Qty. | Description | Ref. | Part Number | Qty. | Description |
|------|-------------|------|---------------------|------|-------------|------|------------------------------|
| 1 | 93-7498 | 1 | Plug-Plastic | 18:1 | 237-81 | 1 | O-Ring |
| 2 | 237-101 | 1 | O-Ring | 19 | 68-8990 | 1 | Filter Head ASM |
| 3 | 108-7996 | 1 | Dipstick ASM | 20 | 54-0110 | 1 | Filter-Oil, Transmission |
| 4 | 119-9040 | 1 | Tank-Hydraulic | 21 | 353-987 | 2 | Fitting-HYD, 90 DEG (Barbed) |
| 5 | 108-5477 | 1 | Shroud-Fan | 21:1 | 237-81 | 1 | O-Ring |
| 6 | 340-157 | 1 | Fitting-HYD, Tee | 22 | 322-12 | 5 | Screw-HH |
| 6:1 | 237-79 | 1 | O-Ring | 23 | 104-8300 | 9 | Nut-Flange, NI |
| 6:2 | 237-30 | 2 | O-Ring | 24 | 108-8452 | 1 | Decal-Logo |
| 7 | 340-98 | 1 | Fitting-HYD, 90 DEG | 25 | 2412-129 | 2 | Clamp-Hose |
| 7:1 | 237-79 | 1 | O-Ring | 26 | 108-5483 | 1 | Hose-Suction, Tank |
| 7:2 | 237-30 | 1 | O-Ring | 27 | 354-121 | 1 | Fitting-Straight |
| 9 | 108-8457 | 1 | Cooler-Oil | 27:1 | 237-79 | 1 | O-Ring |
| 10 | 85-9550 | 2 | Rubber Clamp ASM | 28 | 108-7965 | 2 | Clamp-Tank, HYD |
| 10:1 | 85-9670 | 1 | T-Nut | 29 | 353-550 | 1 | Plug-HYD, HH |
| 11 | 3256-23 | 7 | Washer-Flat | 29:1 | 237-79 | 1 | O-Ring |
| 12 | 322-11 | 2 | Screw-HH | 30 | 108-8468 | 1 | Plug-HH |
| 13 | 108-5480-03 | 1 | Panel-Cooler | 30:1 | 237-101 | 1 | O-Ring |
| 14 | 32144-14 | 7 | Screw-HWHTF | 31 | 108-7903 | 1 | Clamp-Tank |
| 15 | 108-5482 | 1 | Bracket-Filter, Oil | 32 | 110-1372 | 1 | Fitting-Vent, Tank |
| 16 | 3234-4 | 2 | Screw-HHF | 33 | 110-8181 | 1 | Hose-Fuel |
| 18 | 354-73 | 1 | Fitting-Straight | | | | |



Hydraulic Tank, Filter and Cooler Assembly (continued)

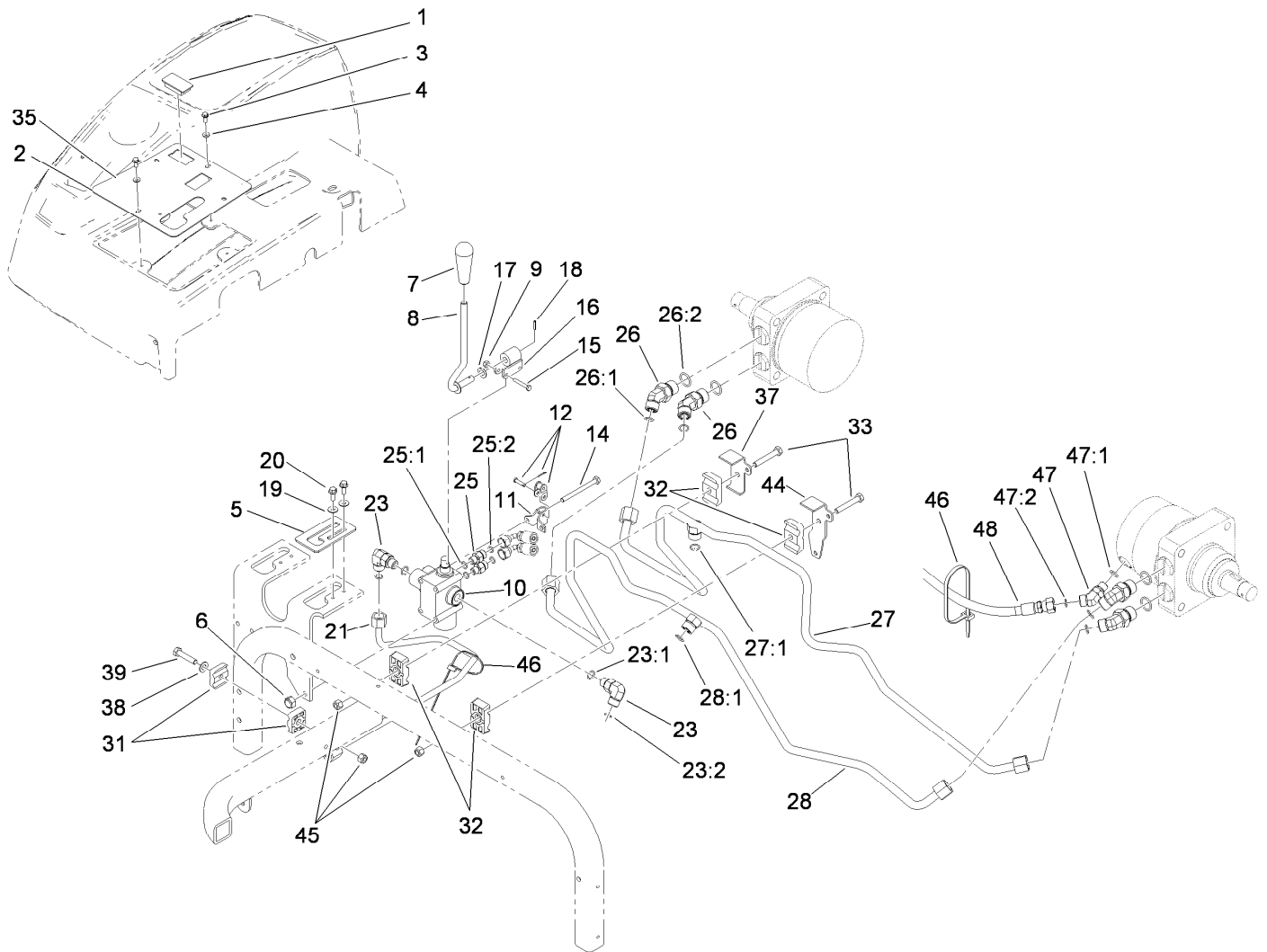
| Ref. | Part Number | Qty. | Description |
|------|-------------|------|-------------|
| 34 | 46-6560 | 1 | Bushing |

| Ref. | Part Number | Qty. | Description |
|------|-------------|------|-------------|
| 35 | 322-3 | 4 | Screw-HH |
| 36 | 3290-379 | 1 | Tie-Cable |



Lift Valve and Rear Tube Assembly

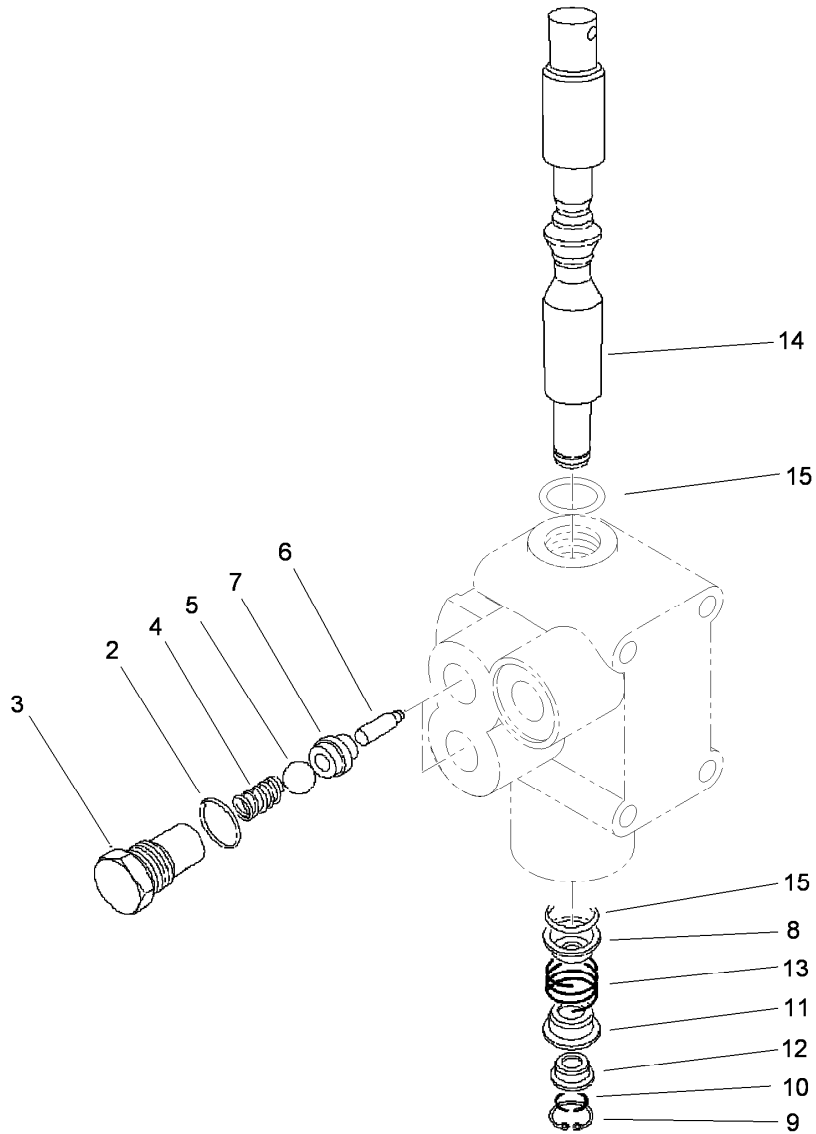
| Ref. | Part Number | Qty. | Description | Ref. | Part Number | Qty. | Description |
|------|-------------|------|---------------------|------|-------------|------|-----------------------|
| 1 | 99-7420 | 1 | Plug-Hole | 23:1 | 237-22 | 1 | O-Ring |
| 2 | 108-7909-03 | 1 | Panel-Control | 23:2 | 237-42 | 1 | O-Ring |
| 3 | 3290-321 | 4 | Screw-HWH | 25 | 340-92 | 2 | Fitting-HYD, Straight |
| 4 | 3256-51 | 4 | Washer-Flat | 25:1 | 237-78 | 1 | O-Ring |
| 5 | 108-7941 | 1 | Plate-Guide, Lever | 25:2 | 237-21 | 1 | O-Ring |
| 6 | 3296-42 | 3 | Nut-Lock, NI | 26 | 340-89 | 4 | Fitting-HYD, 45 DEG |
| 7 | 98-0152 | 1 | Knob-Tapered | 26:1 | 237-30 | 1 | O-Ring |
| 8 | 108-7942 | 1 | Rear Lever ASM | 26:2 | 237-80 | 1 | O-Ring |
| 9 | 3296-2 | 2 | Nut-Lock, NI | 27 | 108-8406 | 1 | Tube ASM |
| 10 | 43-1710 | 1 | Valve ASM | 27:1 | 237-30 | 1 | O-Ring |
| 11 | 88-8480 | 1 | Bracket-Pivot | 28 | 110-1323 | 1 | Tube ASM |
| 12 | 2710-20 | 1 | Link-Offset | 28:1 | 237-30 | 1 | O-Ring |
| 14 | 321-23 | 3 | Screw-HH | 31 | 56-7973 | 2 | Clamp-Tube |
| 15 | 3290-360 | 2 | Screw-HH | 32 | 56-7976 | 4 | Clamp-Tube |
| 16 | 98-8159 | 1 | Pivot | 33 | 322-10 | 2 | Screw-HH |
| 17 | 3290-477 | 1 | Washer-Curved | 35 | 108-8484 | 1 | Decal-Lift, Rear |
| 18 | 32121-73 | 1 | Pin-Roll | 37 | 110-1333 | 1 | Bracket-Clamp |
| 19 | 3256-1 | 2 | Washer-Flat | 38 | 3256-23 | 1 | Washer-Flat |
| 20 | 3234-33 | 2 | Screw-HHF | 39 | 322-7 | 1 | Screw-HH |
| 21 | 108-8416 | 1 | Tube ASM | 44 | 110-1332 | 1 | Bracket-Clamp |
| 23 | 340-77 | 2 | Fitting-HYD, 90 DEG | 45 | 3296-29 | 3 | Nut-Lock, NI |



Lift Valve and Rear Tube Assembly (continued)

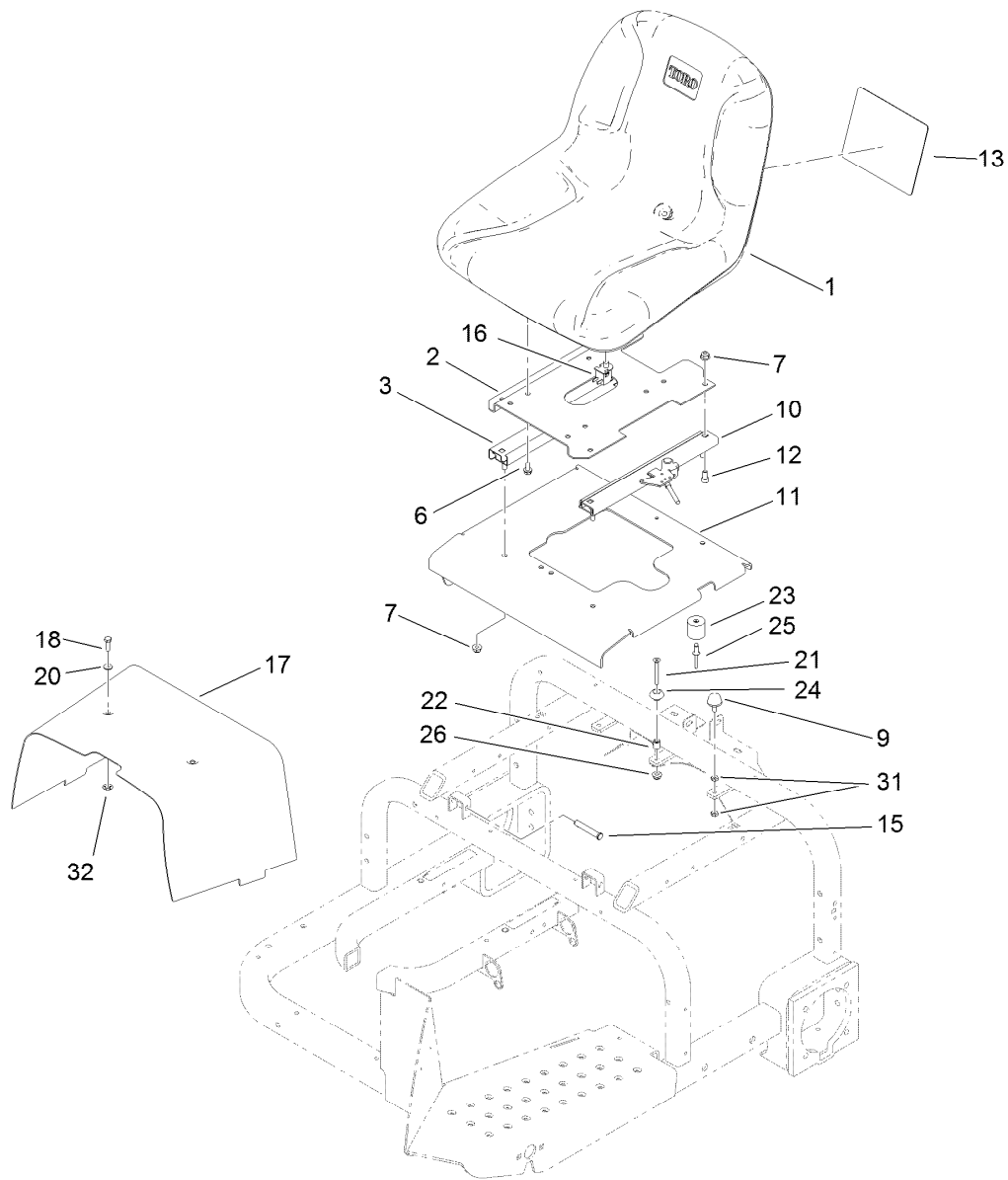
| <i>Ref.</i> | <i>Part Number</i> | <i>Qty.</i> | <i>Description</i> |
|-------------|--------------------|-------------|---------------------|
| 46 | 3290-378 | 2 | Tie-Cable |
| 47 | 340-87 | 1 | Fitting-HYD, 45 DEG |
| 47:1 | 237-22 | 1 | O-Ring |

| <i>Ref.</i> | <i>Part Number</i> | <i>Qty.</i> | <i>Description</i> |
|-------------|--------------------|-------------|--------------------|
| 47:2 | 237-42 | 1 | O-Ring |
| 48 | 112-1411 | 1 | Hose-HYD |



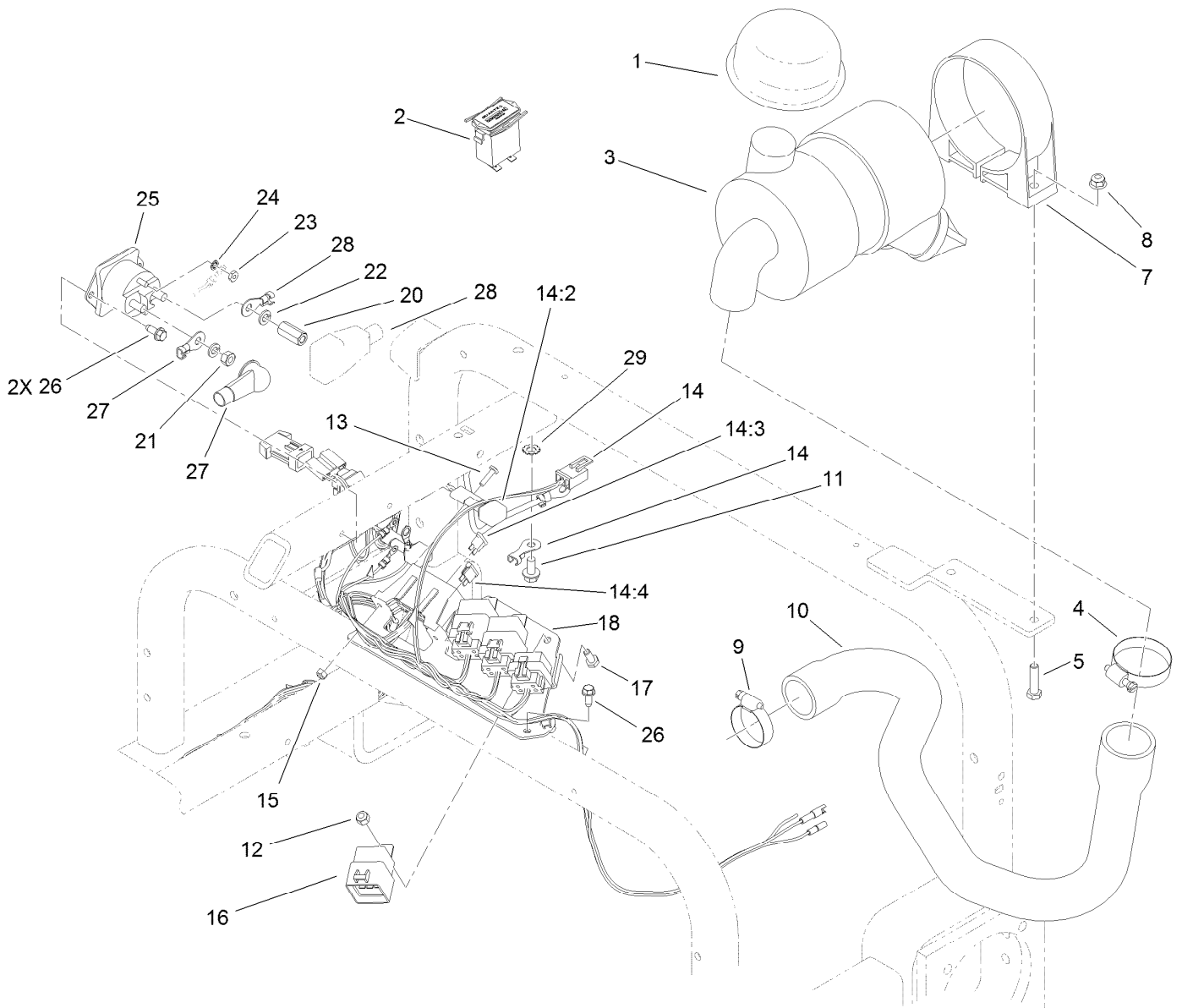
Valve Assembly No. 43-1710

| <i>Ref.</i> | <i>Part Number</i> | <i>Qty.</i> | <i>Description</i> |
|-------------|--------------------|-------------|--------------------|
| 2 | 237-42 | 2 | O-Ring |
| 3 | 22-8330 | 2 | Plug |
| 4 | 22-8340 | 2 | Spring |
| 5 | 22-8350 | 2 | Ball |
| 6 | 22-8360 | 2 | Pin |
| 7 | 22-8370 | 2 | Seat-Valve |
| 8 | 22-8380 | 1 | Retainer |
| 9 | 22-8490 | 1 | Ring-Snap |
| 10 | 22-8480 | 1 | Ring-Snap |
| 11 | 22-8390 | 1 | Retainer |
| 12 | 22-8400 | 1 | Spacer |
| 13 | 22-8410 | 1 | Spring |
| 14 | 22-8420 | 1 | Spool |
| 15 | 22-8500 | 2 | O-Ring |



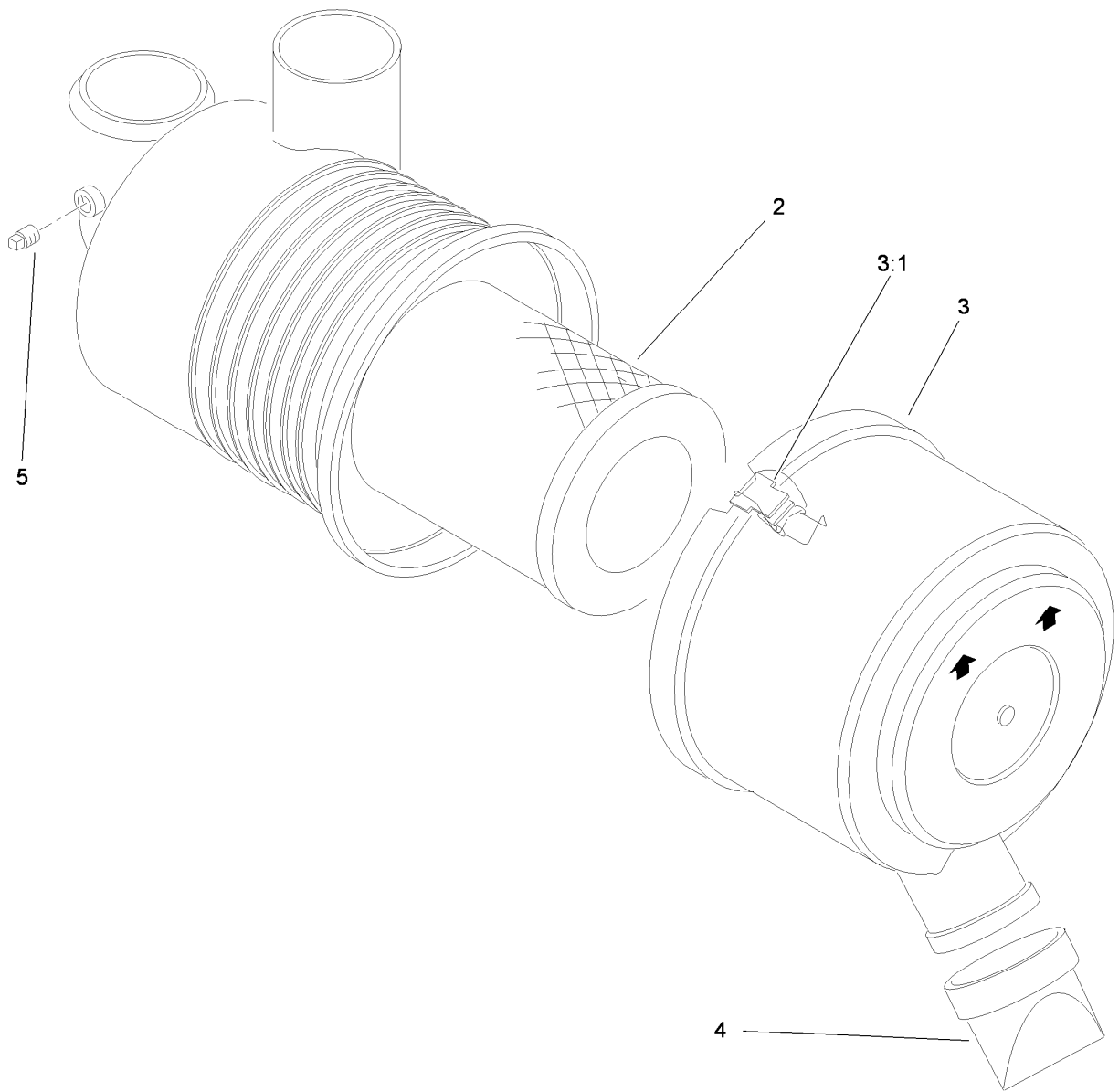
Seat and Shroud Assembly

| <i>Ref.</i> | <i>Part Number</i> | <i>Qty.</i> | <i>Description</i> | <i>Ref.</i> | <i>Part Number</i> | <i>Qty.</i> | <i>Description</i> |
|-------------|--------------------|-------------|--------------------|-------------|--------------------|-------------|-----------------------|
| 1 | 108-6878 | 1 | Seat | 17 | 108-6859-01 | 1 | Shroud-Center |
| 2 | 108-7931-03 | 1 | Base-Seat | 18 | 321-5 | 2 | Screw-HH |
| 3 | 51-0780 | 1 | Slider-Seat | 20 | 3256-1 | 2 | Washer-Flat |
| 6 | 3234-14 | 4 | Screw-HHF | 21 | 363-1571 | 1 | Screw-PFH |
| 7 | 104-8300 | 8 | Nut-Flange, NI | 22 | 609588 | 1 | Spacer |
| 9 | 1-523420 | 2 | Bumper | 23 | 99-7830 | 1 | Rubber Receptical ASM |
| 10 | 51-0790 | 1 | Adjuster-Seat, LH | 24 | 99-7833 | 1 | Post-Holding |
| 11 | 112-1445-03 | 1 | Seat ASM | 25 | 3290-412 | 1 | Rivet |
| 12 | 3274-12 | 4 | Screw-HSH | 26 | 104-7201 | 1 | Nut-HF |
| 13 | 108-8418 | 1 | Decal-Service | 31 | 3218-1 | 4 | Nut-Jam |
| 15 | 112-7153 | 2 | Pin | 32 | 106-8737 | 2 | Nut-Retainer |
| 16 | 82-2190 | 1 | Switch-Bail | | | | |



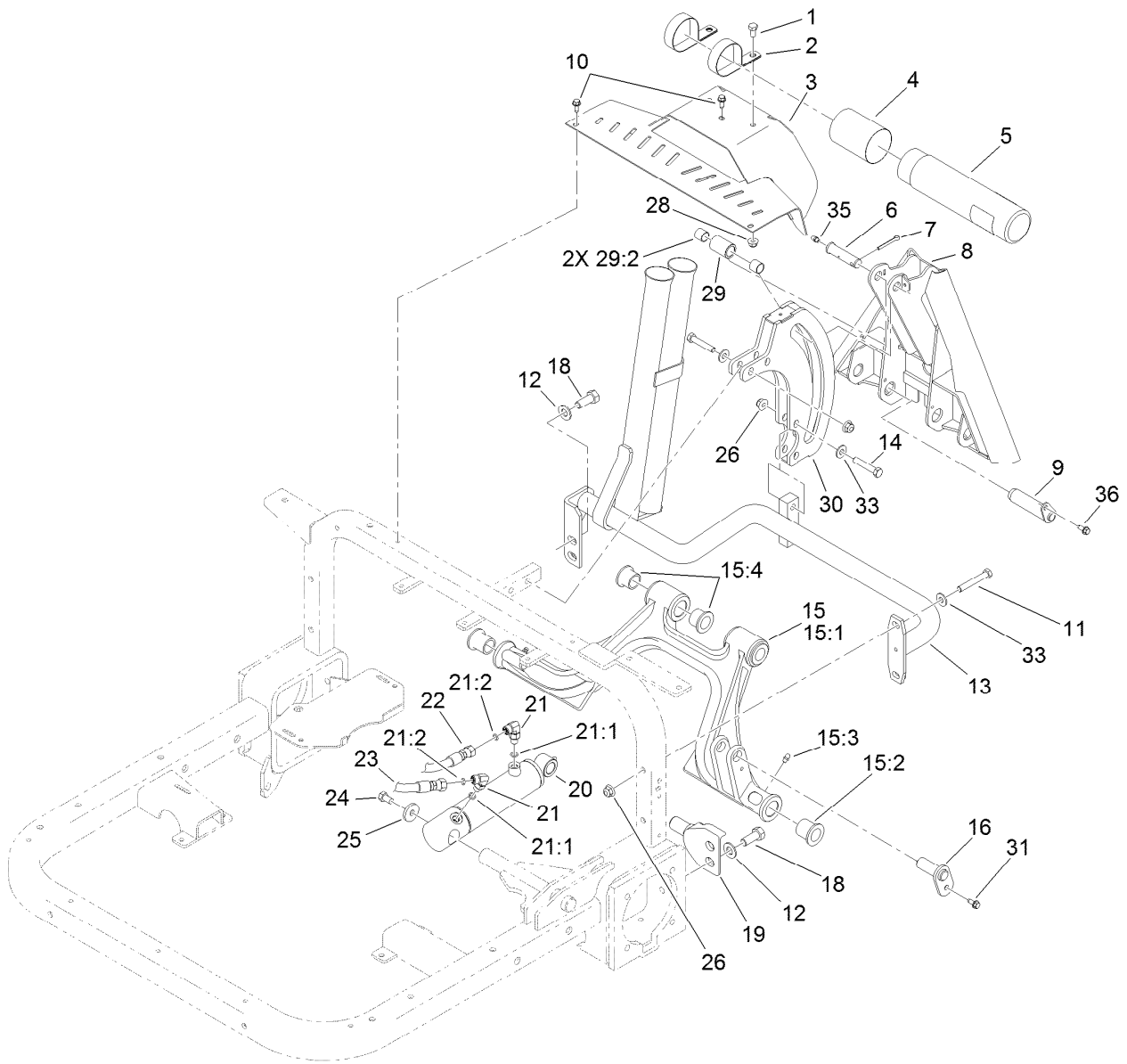
Wire Harness, Air Cleaner and Hose Assembly

| Ref. | Part Number | Qty. | Description | Ref. | Part Number | Qty. | Description |
|------|-------------|------|--------------------|------|-------------|------|-------------------------|
| 1 | 46-7510 | 1 | Hood-Inlet, Air | 14:4 | 109355 | 1 | Fuse-Blade, 15 Amp |
| 2 | 1-513374 | 1 | Meter-Hour | 15 | 3296-2 | 2 | Nut-Lock, NI |
| 3 | 93-2190 | 1 | Air Cleaner ASM | 16 | 99-7430 | 3 | Relay |
| 4 | 2412-92 | 1 | Clamp-Hose | 17 | 321-3 | 3 | Screw-HH |
| 5 | 322-6 | 2 | Screw-HH | 18 | 112-1444-01 | 1 | Bracket-Relay |
| 7 | 95-5806 | 1 | Bracket-Mounting | 20 | 110-3380 | 1 | Nut-Standoff |
| 8 | 104-8300 | 2 | Nut-Flange, NI | 21 | 3218-13 | 1 | Nut-Jam, Brass |
| 9 | 2412-3 | 1 | Clamp-Hose | 22 | 3253-4 | 2 | Washer-Lock |
| 10 | 117-9576 | 1 | Hose-Air | 23 | 3219-14 | 2 | Nut-Hex |
| 11 | 32144-14 | 1 | Screw-HWHTF | 24 | 3254-1 | 2 | Washer-Lock, Int |
| 12 | 3296-42 | 3 | Nut-Lock, NI | 25 | 28-4210 | 1 | Solenoid |
| 13 | 3250-13 | 2 | Screw-PPH | 26 | 32144-10 | 4 | Screw-HWH |
| 14 | 112-1446 | 1 | Harness-Wire | 27 | 110-3315 | 1 | Cable-Positive, Starter |
| 14:2 | 100-4918 | 2 | Diode | 28 | 110-3314 | 1 | Cable-Positive, Battery |
| 14:3 | 218-578 | 1 | Fuse-Blade, 10 Amp | 29 | 3255-9 | 1 | Washer-Lock |



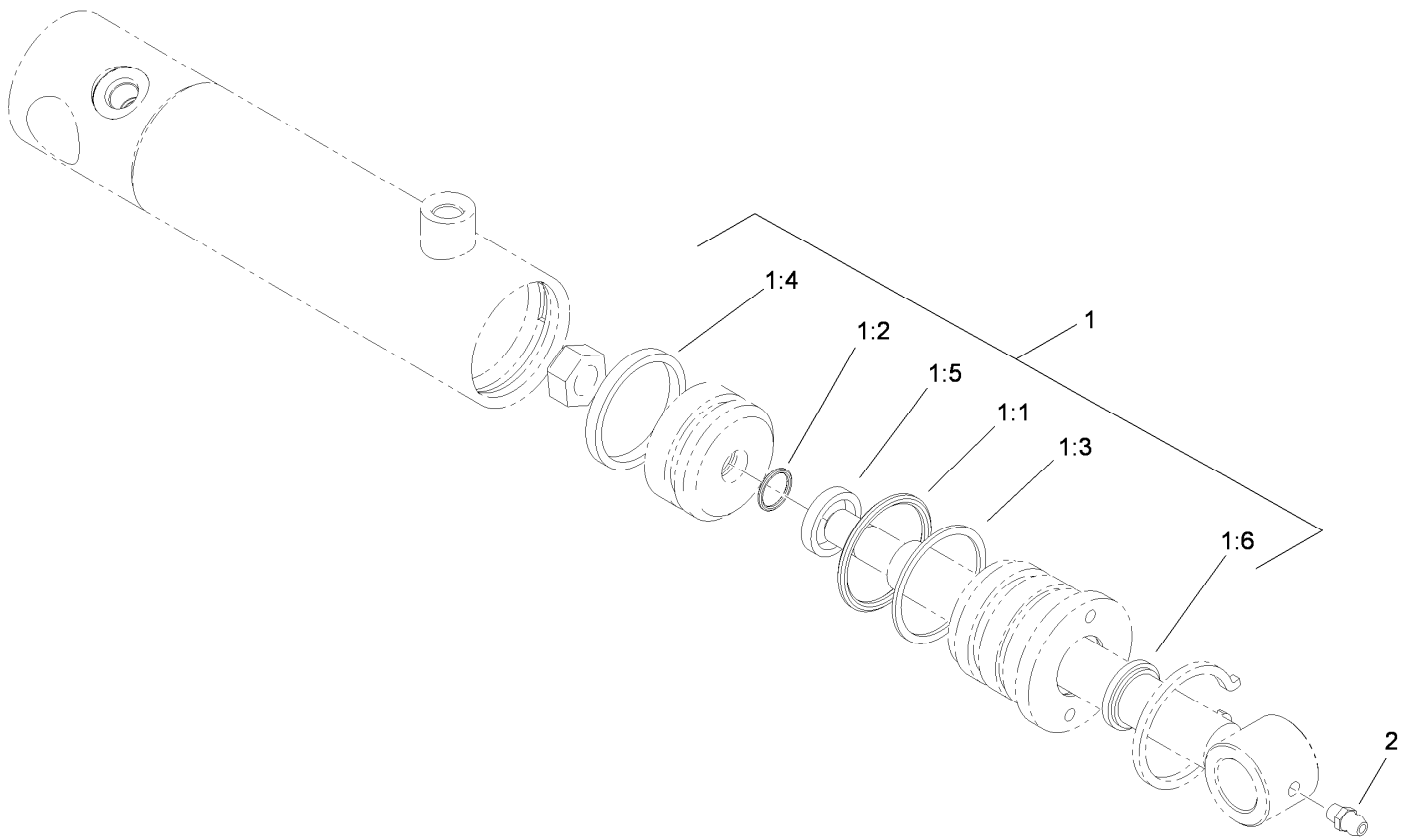
Air Cleaner Assembly No. 93-2190

| <i>Ref.</i> | <i>Part Number</i> | <i>Qty.</i> | <i>Description</i> |
|-------------|--------------------|-------------|--------------------|
| 2 | 108-3811 | 1 | Filter-Air |
| 3 | 94-3652 | 1 | Cover ASM |
| 3:1 | 1-643283 | 2 | Latch-Cleaner, Air |
| 4 | 87-9400 | 1 | Valve-Vacuator |
| 5 | 285-17 | 1 | Plug-Pipe |



Rear Hitch Assembly

| Ref. | Part Number | Qty. | Description | Ref. | Part Number | Qty. | Description |
|------|-------------|------|-----------------|------|-------------|------|-----------------------|
| 1 | 322-2 | 2 | Screw-HH | 18 | 325-5 | 4 | Screw-HH |
| 2 | 2412-133 | 2 | R-Clamp | 19 | 115-5618 | 2 | Pivot-Hub |
| 3 | 108-7970-01 | 1 | Rear Cover ASM | 20 | 115-5647 | 1 | HYD Lift Cylinder ASM |
| 4 | 104-7048 | 1 | Cap-Housing | 21 | 340-132 | 2 | Fitting-HYD, 90 DEG |
| 5 | 104-7050 | 1 | Tube-Manual | 21:1 | 237-78 | 1 | O-Ring |
| 6 | 108-2282 | 1 | Pin-Clevis | 21:2 | 237-21 | 1 | O-Ring |
| 7 | 3272-23 | 1 | Pin-Cotter | 22 | 95-8837 | 1 | Hose ASM |
| 8 | 108-6870-01 | 1 | Adapter ASM | 23 | 100-3833 | 1 | HYD Hose ASM |
| 9 | 108-6885 | 2 | Pin ASM | 24 | 323-34 | 1 | Screw-HH |
| 10 | 32144-10 | 3 | Screw-HWH | 25 | 53-6380 | 1 | Washer-Flat |
| 11 | 323-12 | 2 | Screw-HH | 26 | 104-8301 | 6 | Nut-Flange, NI |
| 12 | 3256-26 | 4 | Washer-Flat | 28 | 104-8300 | 2 | Nut-Flange, NI |
| 13 | 108-6860-03 | 1 | Hitch Frame ASM | 29 | 108-5472 | 1 | Tube ASM |
| 14 | 323-10 | 4 | Screw-HH | 29:2 | 256-311 | 2 | Bushing-Split |
| 15 | 120-3457 | 1 | Rear Hitch ASM | 30 | 110-1368-01 | 1 | Roller Plate ASM |
| 15:1 | 115-5609-01 | 1 | Hitch | 31 | 32144-10 | 1 | Screw-HWH |
| 15:2 | 95-3577 | 2 | Bushing | 33 | 3256-3 | 6 | Washer-Flat |
| 15:3 | 302-5 | 4 | Fitting-Grease | 35 | 302-5 | 1 | Fitting-Grease |
| 15:4 | 33-3090 | 4 | Bushing | 36 | 99-8445 | 2 | Screw-HWH, Taptite |
| 16 | 115-5648 | 1 | Pin-Flag | | | | |



Hydraulic Lift Cylinder Assembly No. 115-5647

| <i>Ref.</i> | <i>Part Number</i> | <i>Qty.</i> | <i>Description</i> |
|-------------|--------------------|-------------|--------------------|
| 1 | 108-4597 | 1 | Seal Kit |
| 1:1 | | 1 | O-Ring ● |
| 1:2 | | 1 | O-Ring ● |
| 1:3 | | 1 | Ring-Back Up ● |
| 1:4 | | 1 | Seal-Psp ● |
| 1:5 | | 1 | Seal-Rod ● |
| 1:6 | | 1 | Seal-Dust ● |
| 2 | 302-5 | 1 | Fitting-Grease |

● Not serviced separately

Attachments and Accessories

For 08705 Sand Pro 5040 Traction Unit

| Product Name | Model/Part |
|--|-------------------|
| Front Lift Frame | 08712 |
| Manual Blade..... | 08714 |
| Midmount Toolbar System | 08731 |
| Tooth Rake | 08751 |
| Spring Rake..... | 08752 |
| Rear Broom | 08753 |
| Finish Grader..... | 08754 |
| Spiker | 08755 |
| Drag Mat Carrier System | 08756 |
| Debris Blower | 08759 |
| QAS Utility Box | 08760 |
| QAS Nail Drag..... | 08761 |
| QAS Bunker Pump | 08765 |
| Rear Remote Hydraulic Kit | 08781 |
| Front Remote Hydraulics | 08782 |
| Synthetic Turf Conditioner, Sand Pro/Infield Pro with QAS..... | 08790 |
| Turf Groomer, Sand Pro Traction Unit with QAS | 08794 |
| Yellow Hydraulic Cap..... | 107-1576 |
| Yellow Hydraulic Fluid Cap (Tethered) | 107-2174 |
| Premium All Season Hydraulic Fluid (55 Gallon Drum) | 108-1177 |
| Premium All Season Hydraulic Fluid (5 Gallon Pail)..... | 108-1178 |
| Premium All Purpose Grease (Tube) | 108-1190 |
| Premium Engine Oil SAE 30 (Drum)..... | 108-1196 |
| Premium Engine Oil SAE 30 (Pail)..... | 108-1197 |
| Light Kit..... | 110-1314 |
| Speed Limiter Kit | 110-1371 |
| Draw Bar Hitch Assembly | 110-1375 |
| Smooth Wheel and Tire ASM..... | 112-0034 |
| Drag Mat Assembly | 112-1424 |
| Variable Orifice Kit | 112-1433 |
| Carbide Tine Pack | 119-2152 |
| Spark Arrestor Screen | 119-7185 |
| MVP Filter Kit..... | 30035 |
| Wheel and Tire Assembly | 94-6126 |

Notes:

Notes:

Notes:



Count on it.