



**Count on it.**

**Parts Catalog**

**Sand Pro® 5040 Traction Unit**

Model No. 08705—Serial No. 310000001 and Up



# Ordering Replacement Parts

To order replacement parts, please supply the part number, the quantity, and the description of each part desired.

## Understanding Reference Numbers

Each identified part in an illustration has a reference number. The reference number for a part also appears in the parts list, along with other information about the part.

This catalog uses two special reference number formats, one to indicate parts in a service assembly and another to indicate the quantity of a given part in an illustration.

## Service Assembly Reference Numbers

Parts in service assemblies have reference numbers in the form a:b. The a represents the reference number of the entire service assembly and the b represents a sequential number unique to each part within the service assembly.

For example, a wheel assembly might be identified by reference number 6, the tire by 6:1, the valve by 6:2, and the wheel by 6:3. When you order the assembly identified by reference number 6, you receive all parts identified by reference numbers 6:1, 6:2, and 6:3. However, you may also order any part individually. Reference numbers of this type appear in illustration and in parts lists.

## Reference Numbers Indicating Quantity

In an illustration, if a reference number indicates more than one part, the reference number has the form nX y. The n represents the quantity of the part, the X is the multiplication symbol, and the y represents the reference number.

For example, in an illustration, the reference number 2X 37 means that two of the parts identified by reference number 37 are indicated.

# List of Abbreviations

**AR:** as required

**ASM:** assembly

**BBC:** blade brake control

**BHTF:** button head thread forming

**CARR:** carriage

**CCW:** counter clockwise

**CW:** clockwise

**DEG:** degrees

**DPA:** Dual Point Adjustment

**ECM:** electronic control module

**EXT:** external

**FH:** flat head

**GA:** gauge

**HD:** heavy-duty

**HF:** hex flange

**HH:** hex head

**HHF:** hex head flange

**HHFTF:** hex head flange thread forming

**HJ:** hex jam

**HLH:** hex lag head

**HOC:** height-of-cut

**HSBH:** hex socket button head

**HSFH:** hex socket flat head

**HSH:** hex socket head

**HWH:** hex washer head

**HWHTF:** hex washer head thread forming

**HYD:** hydraulic

**LH:** left hand

**LPG:** Liquid Propane Gas

**NI:** nylon insert

**NPTF:** national pipe thread fine

**PFH:** phillips flat head

**PPH:** phillips pan head

**PPHTF:** phillips pan head thread forming

**PRH:** phillips round head

**PTH:** phillips truss head

**PTO:** power-take-off

**RH:** right hand

**ROPS:** roll-over protection system

**RRB:** rear roller brush

**SFH:** slotted fillister head

**SHH:** slotted hex head

**SHWH:** slotted hex washer head

**SPH:** slotted pan head

**SQH:** square head

**SRH:** slotted round head

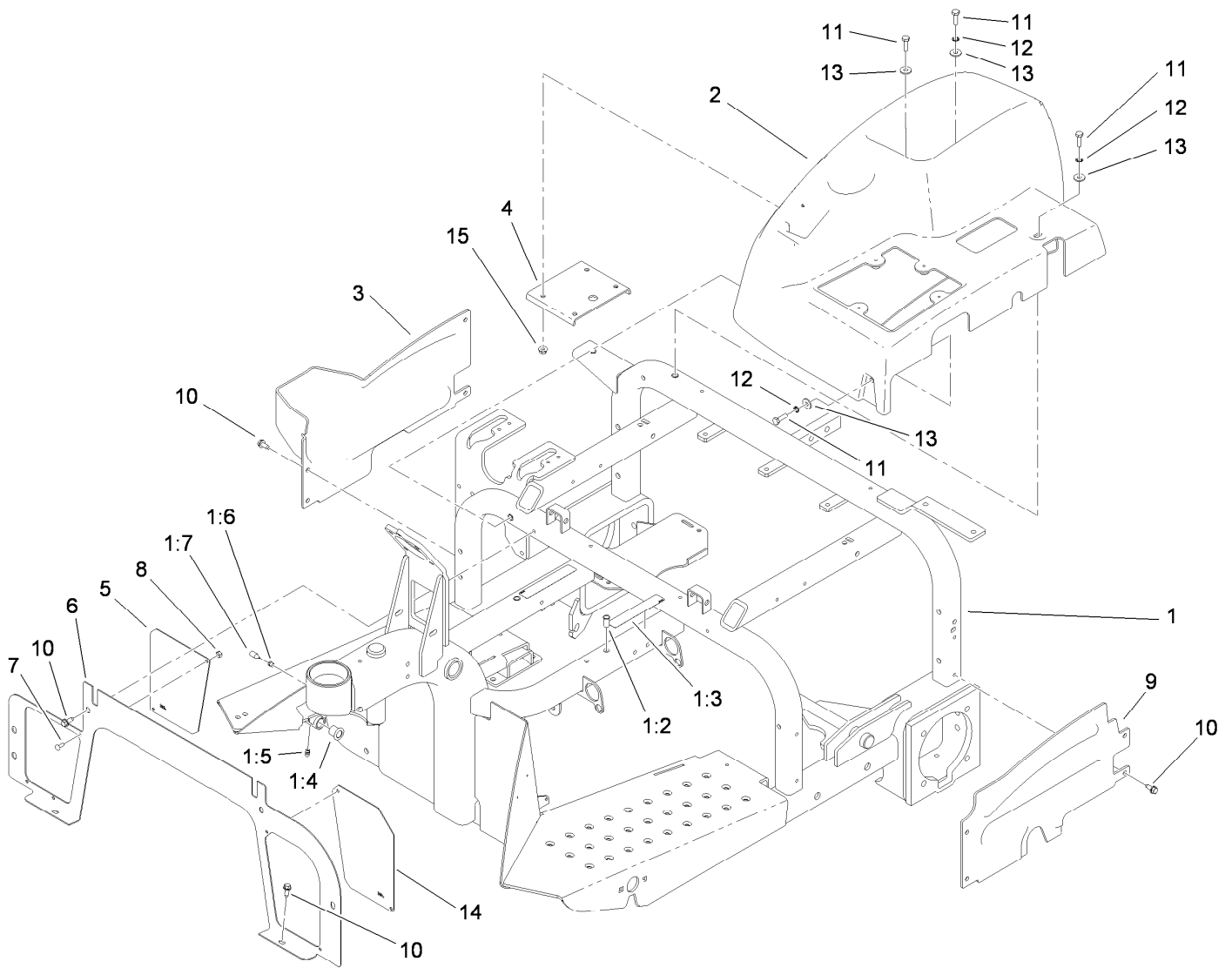
**STD:** standard

**TAP:** self tapping

**TTH:** torx truss head

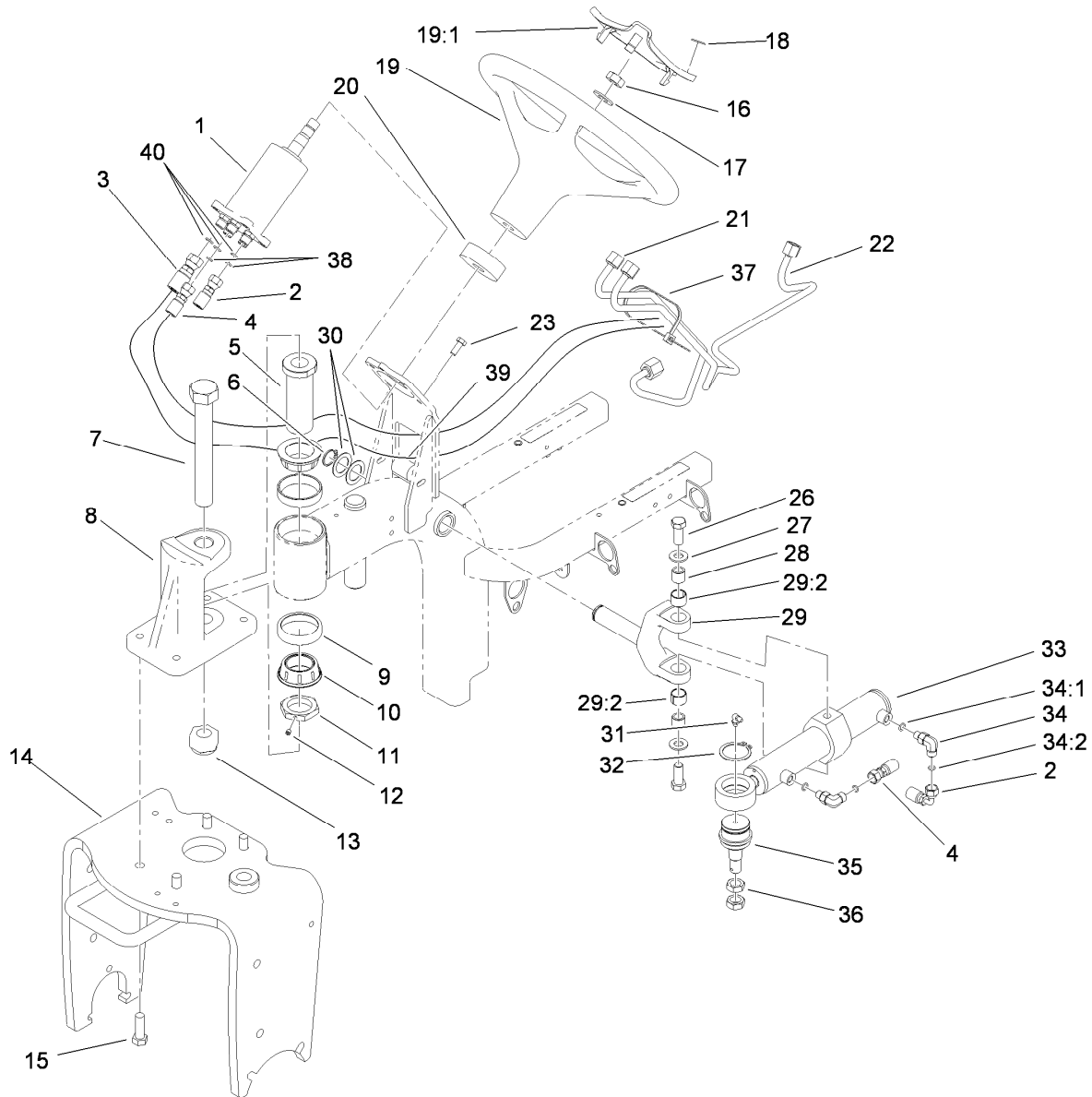
# Contents

Frame and Console Assembly	4
Steering Assembly	5
Steering Valve Assembly No. 108-2924	6
Hydraulic Cylinder Assembly No. 114-0620	7
Fuel Tank and Battery Assembly	8
Front Wheel Assembly	9
Hydraulic Motor Assembly No. 108-2948	11
Rear Wheel Assembly	12
Hydraulic Motor Assembly No. 108-2949	13
Hydraulic Motor Assembly No. 108-2947	14
Traction Pedal Assembly	15
Pump Control Lever Assembly	16
Engine Installation Assembly	17
Pump and Coupling Assembly	18
Variable Piston Pump Assembly No. 114-0612	19
Hydraulic Tank, Filter and Cooler Assembly	21
Lift Valve and Rear Tube Assembly	22
Valve Assembly No. 43-1710	23
Seat and Shroud Assembly	24
Wire Harness, Air Cleaner and Hose Assembly	25
Air Cleaner Assembly No. 93-2190	26
Rear Hitch Assembly	27
Hydraulic Lift Cylinder Assembly No. 115-5647	29
Cylinder Assembly Briggs and Stratton 356447-0179-E2	30
Crankcase Assembly Briggs and Stratton 356447-0179-E2	31
Crankshaft Assembly Briggs and Stratton 356447-0179-E2	32
Cylinder Head Assembly Briggs and Stratton 356447-0179-E2	33
Fuel Pump, Oil Pump and Dipstick Assembly Briggs and Stratton 356447-0179-E2	34
Carburetor Assembly Briggs and Stratton 356447-0179-E2	35
Governor Assembly Briggs and Stratton 356447-0179-E2	36
Flywheel Assembly Briggs and Stratton 356447-0179-E2	37
Blower Housing Assembly Briggs and Stratton 356447-0179-E2	38
Intake Manifold Assembly Briggs and Stratton 356447-0179-E2	39
Starter Assembly Briggs and Stratton 356447-0179-E2	40
358 Engine Gasket Set Briggs and Stratton 356447-0179-E2	41
1095 Valve Gasket Set and 121A Carburetor Overhaul Kit Briggs and Stratton 356447-0179-E2	42
Attachments and Accessories	43



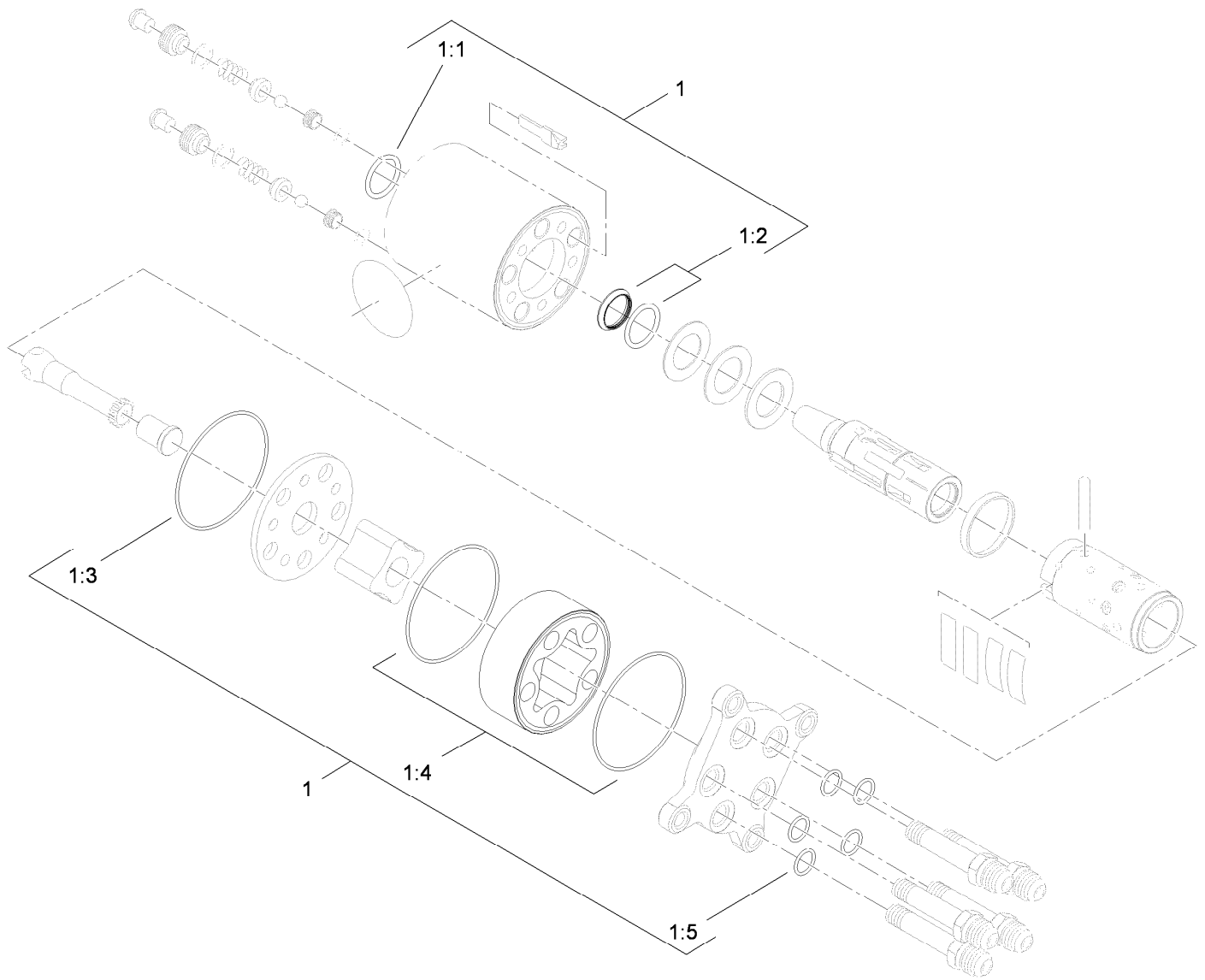
## Frame and Console Assembly

<i>Ref.</i>	<i>Part Number</i>	<i>Qty.</i>	<i>Description</i>	<i>Ref.</i>	<i>Part Number</i>	<i>Qty.</i>	<i>Description</i>
1	110-3367	1	Frame ASM	6	112-1443-01	1	Panel-Front
1:2	32148-11	5	Insert-Threaded	7	3290-321	4	Screw-HWH
1:3	93-7272	2	Decal-Warning	8	3296-2	4	Nut-Lock, NI
1:4	256-219	2	Bushing	9	108-6856	1	Shroud-Wheel, LH
1:5	302-58	1	Fitting-Straight	10	32144-10	12	Screw-HWH
1:6	107-1997	1	Fitting-Grease	11	321-5	7	Screw-HH
1:7	107-1998	1	Nozzle-Grease	12	3254-8	3	Washer-Lock
2	108-2936	1	Console	13	3256-78	7	Washer-Flat
3	108-6855	1	Shroud-Wheel, RH	14	108-7907-01	1	Screen-Panel, LH
4	108-7995-03	1	Plate-Support, Console	15	32128-33	4	Nut-HF
5	108-6854-01	1	Screen-Shroud				



## Steering Assembly

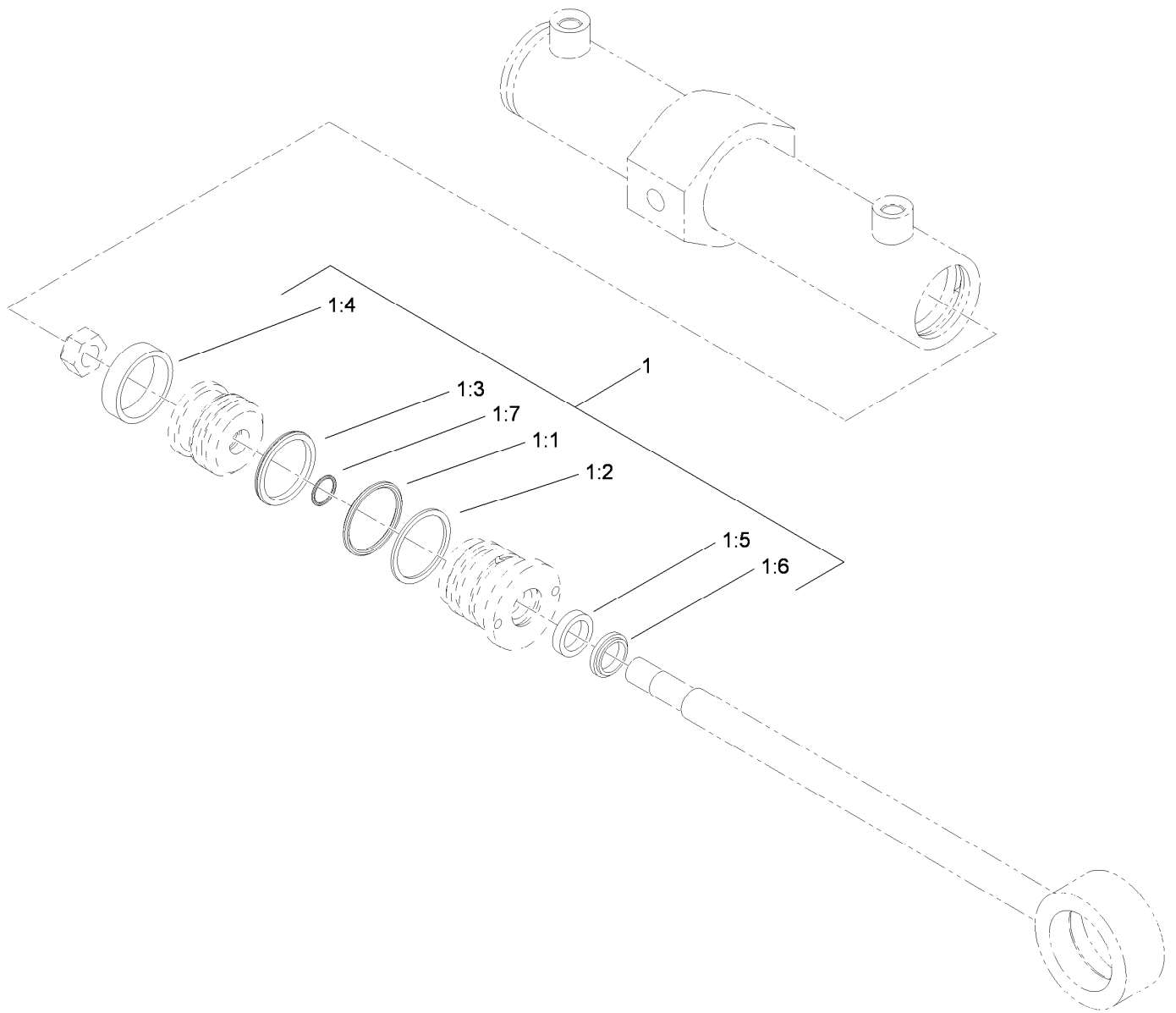
Ref.	Part Number	Qty.	Description	Ref.	Part Number	Qty.	Description
1	108-2924	1	Valve-Steering	21	108-8414	1	Tube ASM
2	105-4347	1	HYD Hose ASM	22	108-8415	1	Tube ASM
3	93-5385	1	Hose ASM	23	33114-020	4	Screw-HH
4	108-6508	1	HYD Hose ASM	26	94-7976	2	Screw-HH
5	108-8470	1	Sleeve-Steering	27	3256-26	2	Washer-Flat
6	32151-36	1	Ring-Retaining	28	108-8483	2	Spacer-Plain
7	3216-16	1	Screw-HH	29	108-8481	1	Yoke And Bushing ASM
8	108-5431	1	Pivot-Steering	29:2	108-8482	2	Bushing-Sleeve
9	107-7590	2	Cup-Bearing	30	1-543436	2	Washer-Spacer
10	107-7589	2	Cone-Bearing (W/ Seal)	31	302-40	1	Fitting-Grease
11	108-8471	1	Nut-Steering	32	32151-104	1	Ring-Retaining, External
12	3245-1	1	Screw-Set, HSH	33	114-0620	1	Hydraulic Cylinder ASM
13	104-2024	1	Nut-Hex, NI	34	340-132	2	Fitting-HYD, 90 DEG
14	108-0573-01	1	Castor Fork ASM	34:1	237-78	1	O-Ring
15	325-6	4	Screw-HH	34:2	237-21	1	O-Ring
16	3296-33	1	Nut-Lock, NI	35	106-6774	1	Joint-Ball
17	3256-27	1	Washer-Flat	36	3220-6	2	Nut-Jam
18	98-1459	1	Decal	37	3290-379	1	Tie-Cable
19	98-1471	1	Wheel-Steering	38	237-21	2	O-Ring
19:1	98-1468	1	Cover-Wheel, Steering	39	38-3400	2	Guard-Rubber
20	108-7998	1	Collar-Foam	40	237-22	3	O-Ring



## Steering Valve Assembly No. 108-2924

<i>Ref.</i>	<i>Part Number</i>	<i>Qty.</i>	<i>Description</i>
1	106-6716	1	Seal Kit
1:1		1	Ring-Seal, Dust ●
1:2		1	Seal-Shaft ●
1:3		1	Ring-Retaining ●
1:4		2	Ring-Retaining ●
1:5		5	Ring-Retaining ●

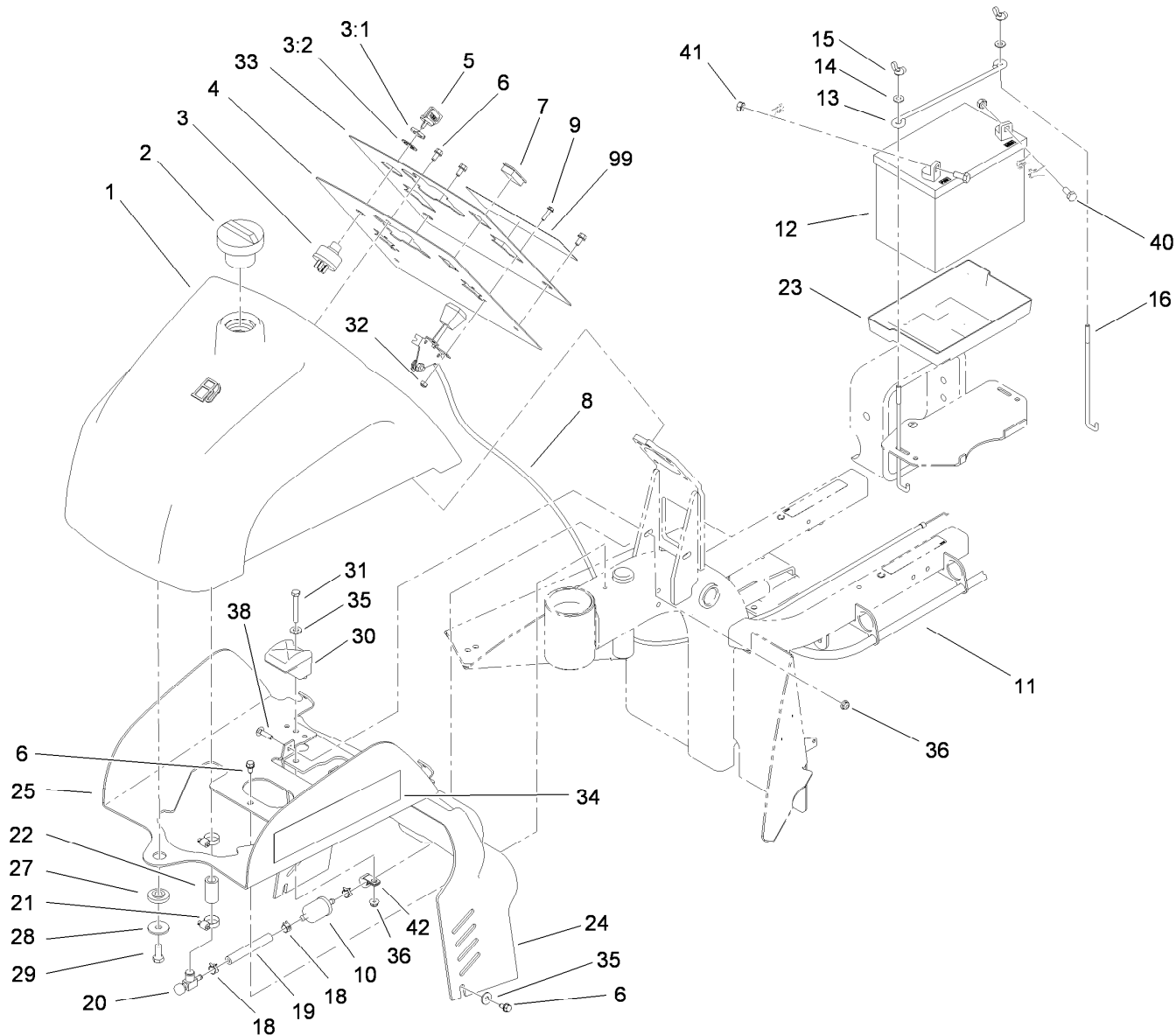
● Not serviced separately



## Hydraulic Cylinder Assembly No. 114-0620

<i>Ref.</i>	<i>Part Number</i>	<i>Qty.</i>	<i>Description</i>
1	114-0622	1	Seal Kit
1:1		1	Ring-Retaining ●
1:2		1	Backup ●
1:3		1	Bp Seal ●
1:4		1	Wear Ring ●
1:5		1	Bs Seal ●
1:6		1	Dust Seal ●
1:7		1	Ring-Retaining ●

● Not serviced separately

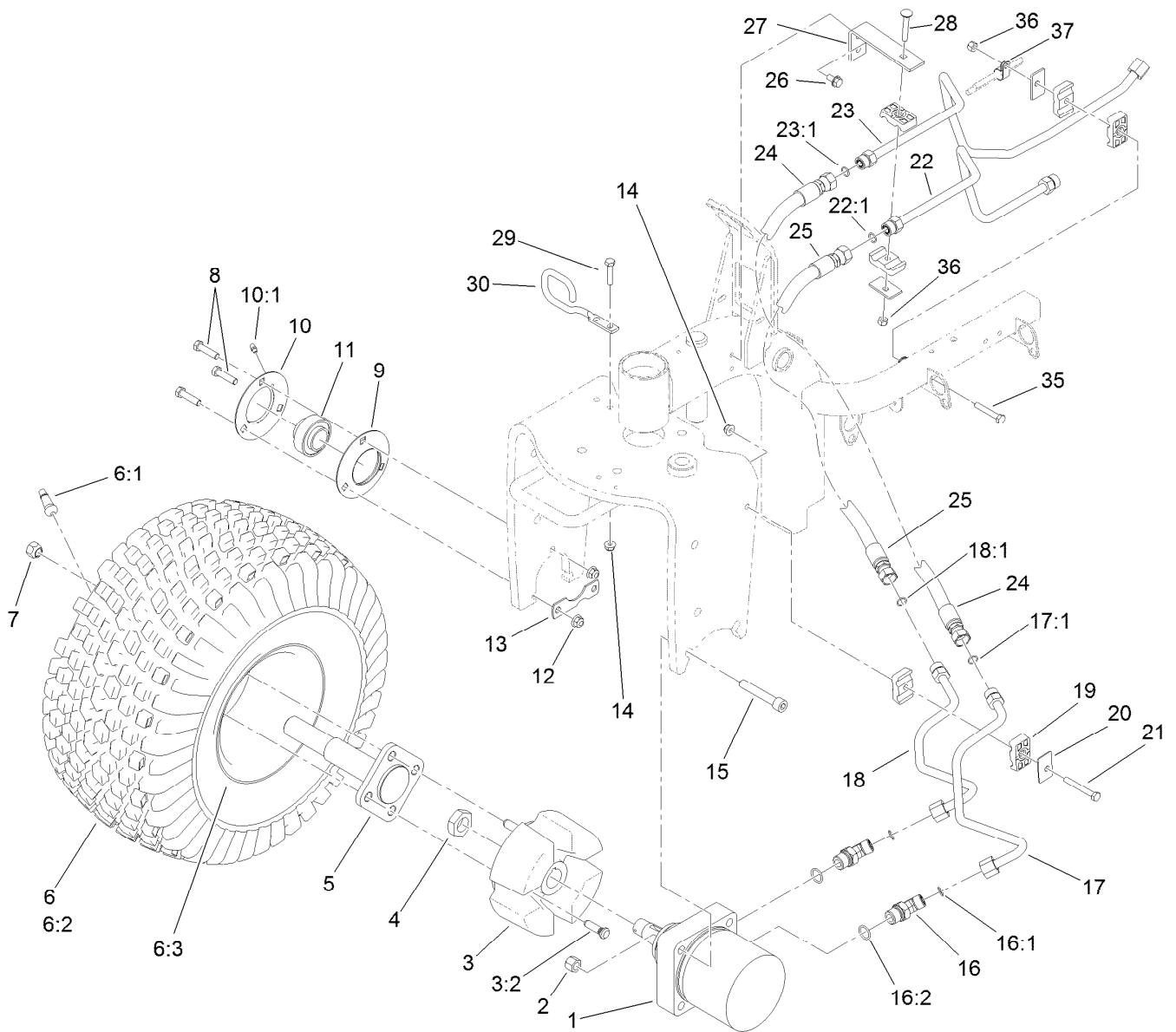


## Fuel Tank and Battery Assembly

Ref.	Part Number	Qty.	Description
1	108-2938	1	Tank-Fuel
2	115-5304	1	Cap-Fuel
3	83-0020	1	Switch-Ignition
3:1	218-461	1	Nut-HH
3:2	3254-5	1	Washer-Tooth, Internal
4	108-6896-03	1	Panel-Dash
5	63-8360	2	Key-Ignition (W/Shield)
6	32144-10	6	Screw-HWH
7	99-7420	1	Plug-Hole
8	108-7946	2	Cable ASM
9	3290-321	4	Screw-HWH
10	94-2690	1	Filter-Fuel
11	110-3372	1	Hose-Fuel
12	104-8162	1	Battery
13	100-6434	1	Rod-Hold Down, Battery
14	3256-22	2	Washer-Flat
15	32103-22	2	Nut-Wing
16	100-6435	2	Post-Battery
18	2412-98	4	Clamp-Hose
19	109-0660	1	Hose-Fuel
20	83-1390	1	Valve-Shut-Off, Fuel

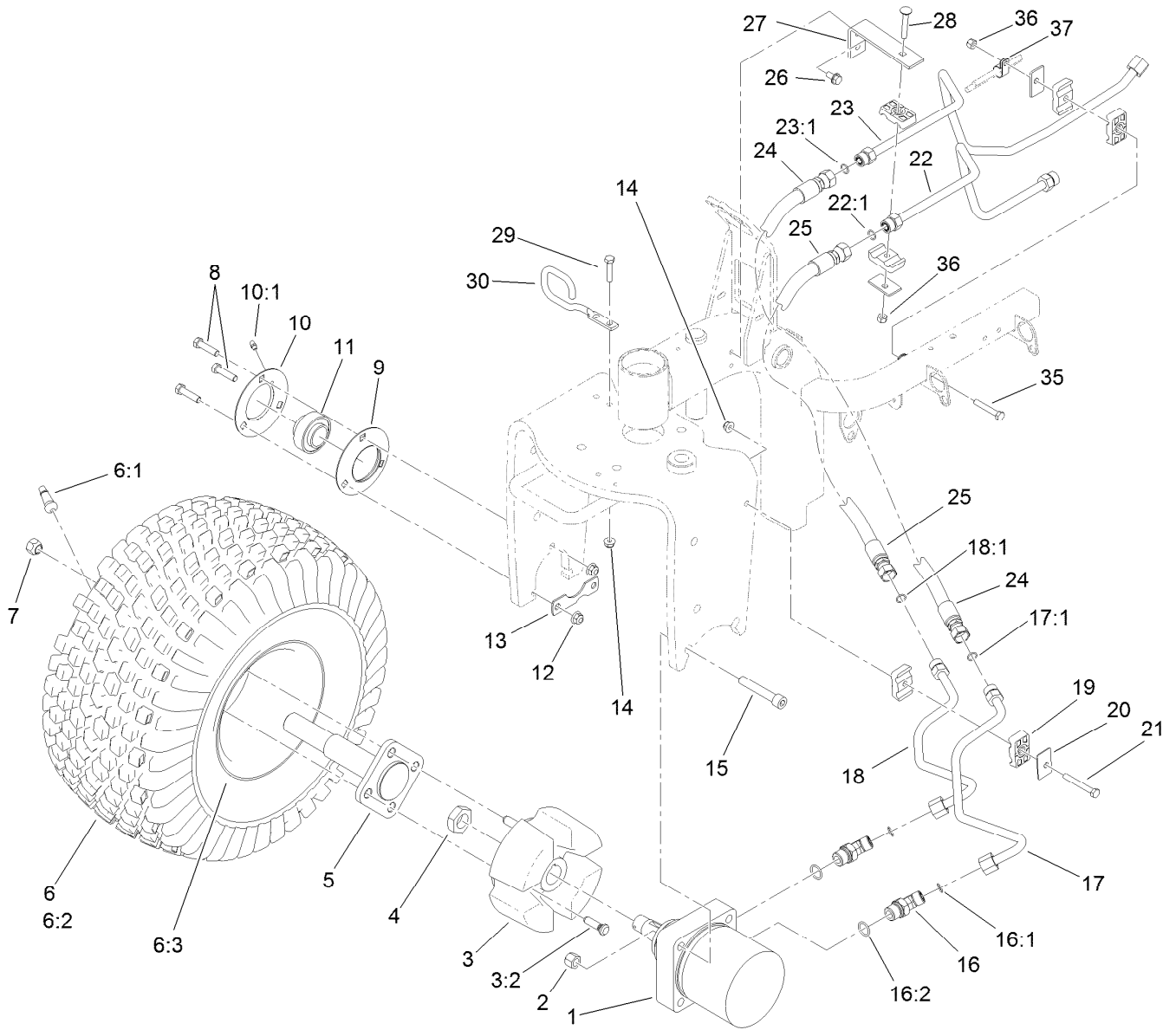
Ref.	Part Number	Qty.	Description
21	2412-36	2	Clamp-Hose
22	110-3371	1	Hose-Fuel
23	106948	1	Tray-Battery
24	108-6898	1	Shroud-Dash
25	108-6895-01	1	Bracket-Mount, Tank
27	240-11	1	Bushing-Flange
28	63-8410	1	Washer
29	323-5	1	Screw-HH
30	107-4543	2	Clamp
31	321-18	2	Screw-HH
32	3296-2	4	Nut-Lock, NI
33	119-2483	1	Decal-Dash
34	108-8419	2	Decal
35	3256-78	4	Washer-Flat
36	104-7201	4	Nut-HF
38	3229-1	2	Bolt-CARR
40	322-3	2	Screw-HH
41	3217-6	2	Nut-Hex
42	92-6064	1	Clamp-R
99	119-2484	1	Decal-Dash, Ce





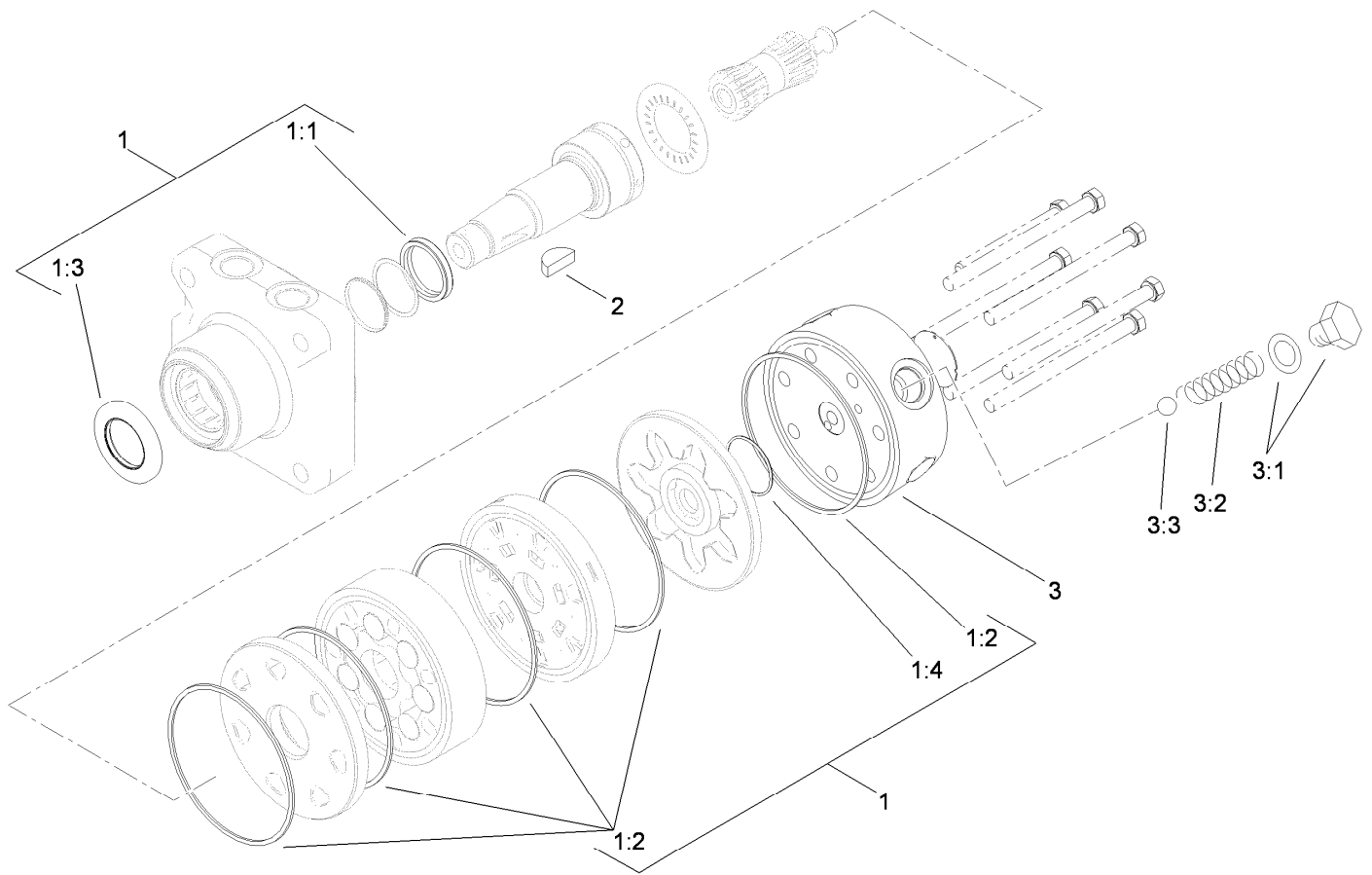
## Front Wheel Assembly

Ref.	Part Number	Qty.	Description	Ref.	Part Number	Qty.	Description
1	108-2948	1	HYD Motor ASM (CW)	16:1	237-30	1	O-Ring
2	3296-23	2	Nut-Lock, NI	16:2	237-80	1	O-Ring
3	110-6310	1	Front Wheel Hub ASM	17	108-8432	1	Tube ASM
3:2	10-6830	4	Stud-Type, Drive	17:1	237-30	1	O-Ring
4	26-3790	1	Nut-Lock	18	108-8431	1	Tube ASM
5	110-6314	1	Spindle	18:1	237-30	1	O-Ring
6	95-0621	1	Wheel And Tire ASM	19	56-7976	6	Clamp-Tube
6:1	5108	1	Valve	20	69-9760	3	Coverplate
6:2	85-8290	1	Tire-2Ply, Knobby	21	322-12	1	Screw-HH
6:3	94-6116	1	Wheel-Rear	22	108-8411	1	Tube ASM
7	242-50	4	Nut-Lug	22:1	237-30	2	O-Ring
8	323-8	3	Screw-HH	23	108-8409	1	Tube ASM
9	85-8950	1	Flangette-Standard	23:1	237-30	1	O-Ring
10	85-8940	1	Flangette-Relube	24	108-8433	1	HYD Hose ASM
10:1	302-5	1	Fitting-Grease	25	110-6303	1	HYD Hose ASM
11	251-352	1	Bearing	26	32144-14	2	Screw-HWHTF
12	104-8301	3	Nut-Flange, NI	27	108-8455-01	1	Bracket-Clamp
13	88-8350	1	Tab-Bearing	28	3230-6	1	Screw-CARR
14	104-8300	3	Nut-Flange, NI	29	322-7	2	Screw-HH
15	3274-74	2	Screw-HSH	30	108-8435	1	Guide-Hose
16	340-89	2	Fitting-HYD, 45 DEG	35	322-10	1	Screw-HH



## Front Wheel Assembly (continued)

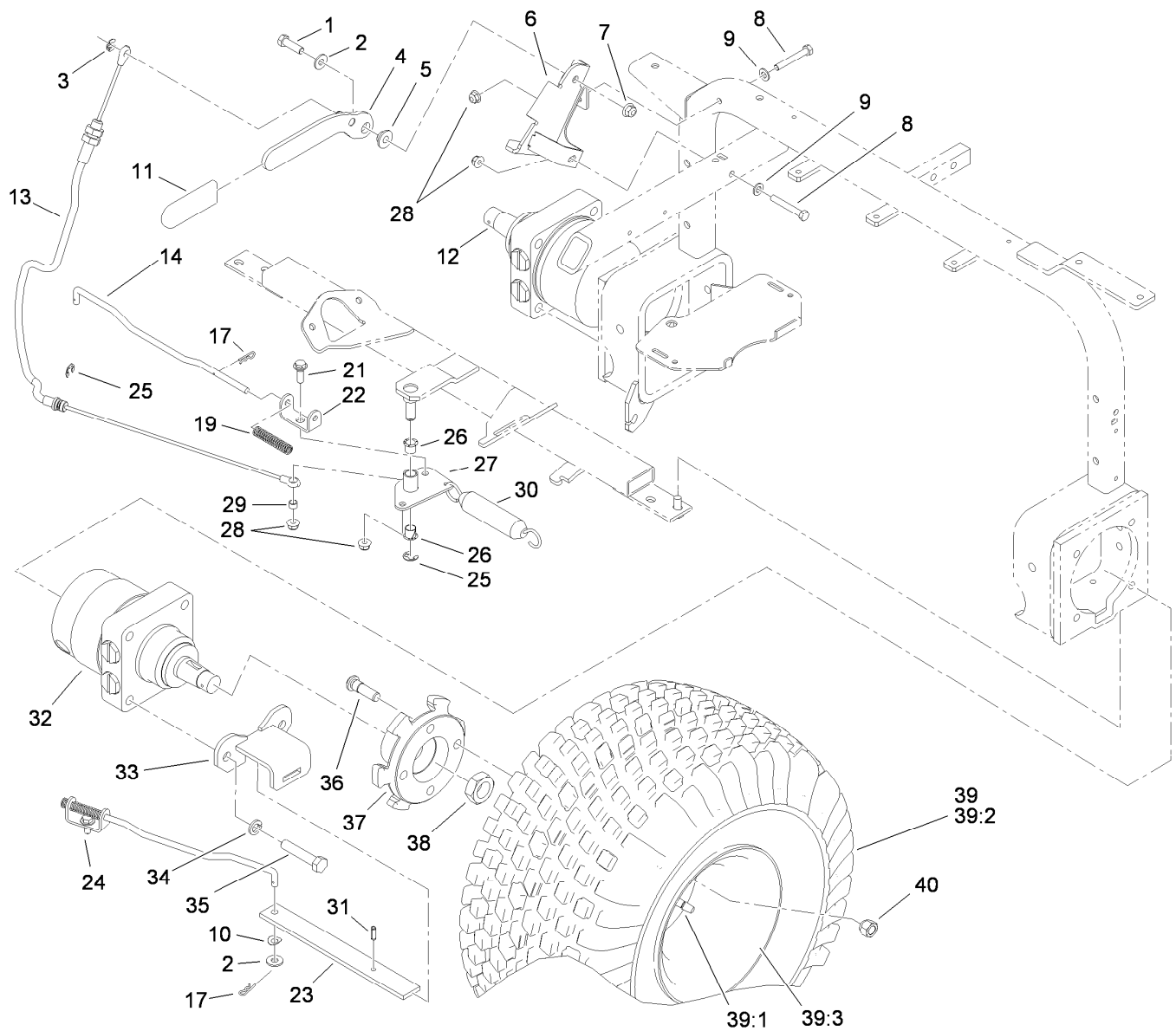
<i>Ref.</i>	<i>Part Number</i>	<i>Qty.</i>	<i>Description</i>
36	3296-29	2	Nut-Lock, NI
37	2412-41	1	Clamp



## Hydraulic Motor Assembly No. 108-2948

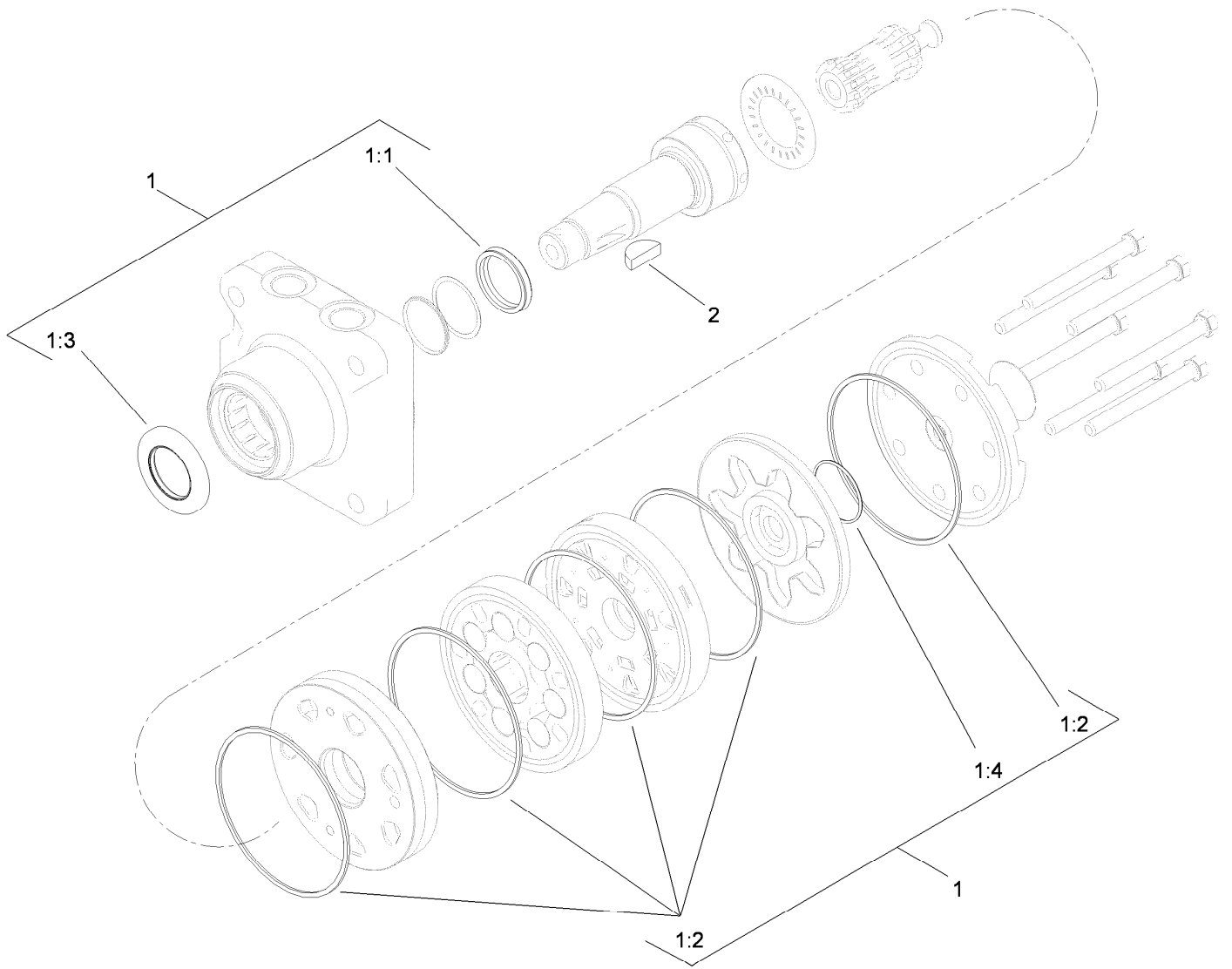
Ref.	Part Number	Qty.	Description
1	110-6459	1	Seal Kit
1:1		1	Seal-Shaft ●
1:2		5	Seal-Body ●
1:3		1	Seal-Dirt / Water ●
1:4		1	Seal-Commutator ●
2	3257-42	1	Key-Woodruff
3	99-3538	1	End Cover ASM
3:1		1	Spring Cap And O-Ring ASM ●
3:2	99-3541	1	Spring
3:3	99-3540	1	Ball

● Not serviced separately



## Rear Wheel Assembly

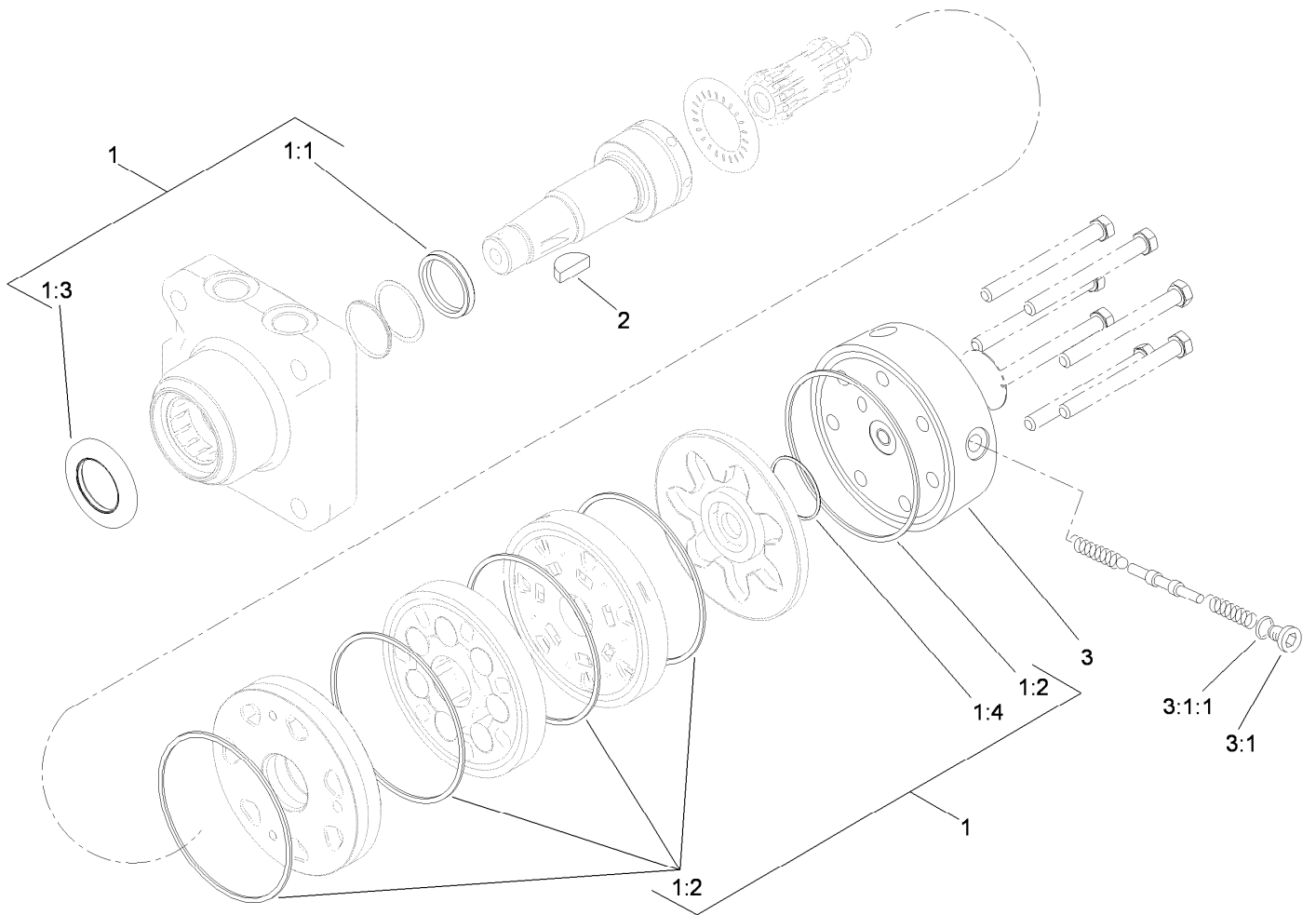
Ref.	Part Number	Qty.	Description	Ref.	Part Number	Qty.	Description
1	323-7	1	Screw-HH	25	32120-47	2	Ring-Retaining, External
2	3256-3	3	Washer-Flat	26	256-257	2	Bushing-Nyliner
3	32151-47	1	Ring-Retaining	27	108-7979-03	1	Bellcrank ASM
4	108-7991-03	1	Brake Lever ASM	28	104-8300	4	Nut-Flange, NI
5	108-7994	1	Bushing-Pivot, Lever	29	108-7983	1	Bushing-Cable
6	108-7988-03	1	Brake Lever Bracket ASM	30	66-4270	1	Spring-Extension
7	104-8301	1	Nut-Flange, NI	31	32121-11	2	Pin-Roll
8	322-11	2	Screw-HH	32	108-2947	1	HYD Motor ASM (CCW)
9	3256-23	2	Washer-Flat	33	108-7973-03	2	Brake Bracket ASM
10	3290-301	2	Washer-Spring	34	3253-7	8	Washer-Lock
11	21-1880	1	Grip-Handle	35	325-10	8	Screw-HH
12	108-2949	1	HYD Motor ASM (CW)	36	85-6540	8	Stud-Drive
13	108-7913	1	Cable-Brake, Park	37	108-7977-03	2	Hub-Wheel
14	108-7987	2	Link-Latch, Parking	38	26-3790	2	Nut-Lock
17	3290-307	4	Pin-Hair	39	95-0621	2	Wheel And Tire ASM
19	107-3376	2	Spring-Compression	39:1	5108	1	Valve
21	19-1471	1	Screw-Shoulder	39:2	85-8290	1	Tire-2Ply, Knobby
22	114-0631	2	Clevis-Latch, Parking	39:3	94-6116	1	Wheel-Rear
23	108-7986-03	2	Bar-Brake	40	242-50	8	Nut-Lug
24	19-1470	1	Screw-Shoulder				



## Hydraulic Motor Assembly No. 108-2949

<i>Ref.</i>	<i>Part Number</i>	<i>Qty.</i>	<i>Description</i>
1	110-6459	1	Seal Kit
1:1		1	Seal-Shaft ●
1:2		5	Seal-Body ●
1:3		1	Seal-Dirt / Water ●
1:4		1	Seal-Commutator ●
2	3257-42	1	Key-Woodruff

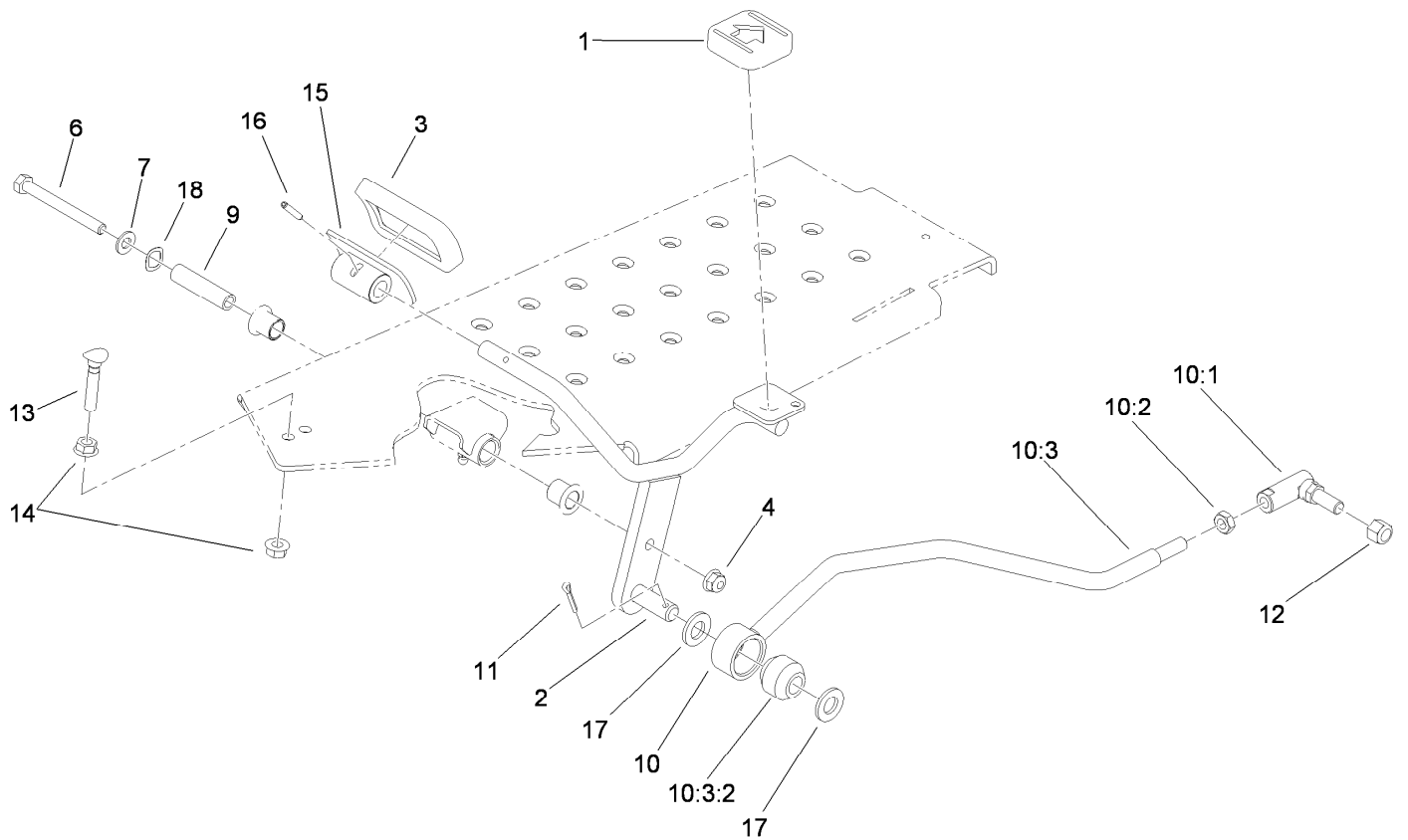
● Not serviced separately



## Hydraulic Motor Assembly No. 108-2947

Ref.	Part Number	Qty.	Description
1	110-6459	1	Seal Kit
1:1		1	Seal-Shaft ●
1:2		5	Seal-Body ●
1:3		1	Seal-Dirt / Water ●
1:4		1	Seal-Commutator ●
2	3257-42	1	Key-Woodruff
3	110-3381	1	End Cover ASM
3:1	353-990	1	Plug
3:1:1	237-78	1	O-Ring

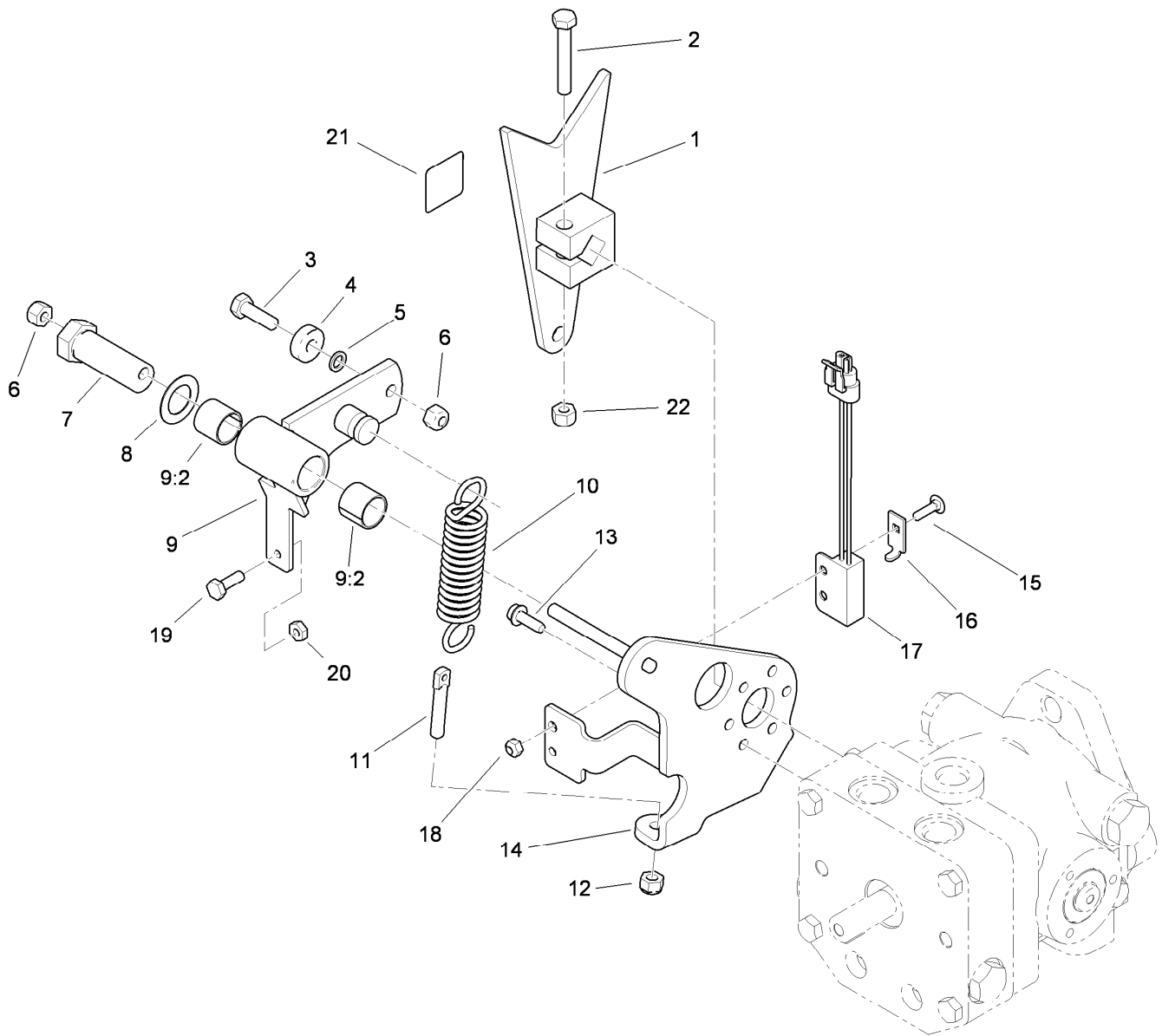
● Not serviced separately



## Traction Pedal Assembly

Ref.	Part Number	Qty.	Description	Ref.	Part Number	Qty.	Description
1	74-9110	1	Pad-Pedal, Reverse	10:3	110-8160	1	Rod ASM
2	108-5498-01	1	Pedal ASM	10:3:2	23-2270	1	Bushing-Rubber
3	74-9100	1	Pad-Pedal, Forward	11	3272-10	1	Pin-Cotter
4	104-8300	1	Nut-Flange, NI	12	3296-6	1	Nut-Lock
6	322-14	1	Screw-HH	13	17-9420	1	Screw-Handle
7	3256-23	1	Washer-Flat	14	32128-20	2	Nut-HF
9	85-8960	1	Spacer	15	49-6440-03	1	Pedal-Forward
10		1	Traction Rod ASM ●	16	32121-45	1	Pin-Spring
10:1	68-3840	1	Joint-Ball, RH Threaded	17	106-9888	2	Washer-Flat
10:2	3220-3	1	Nut-HJ	18	108473	1	Washer-Wave

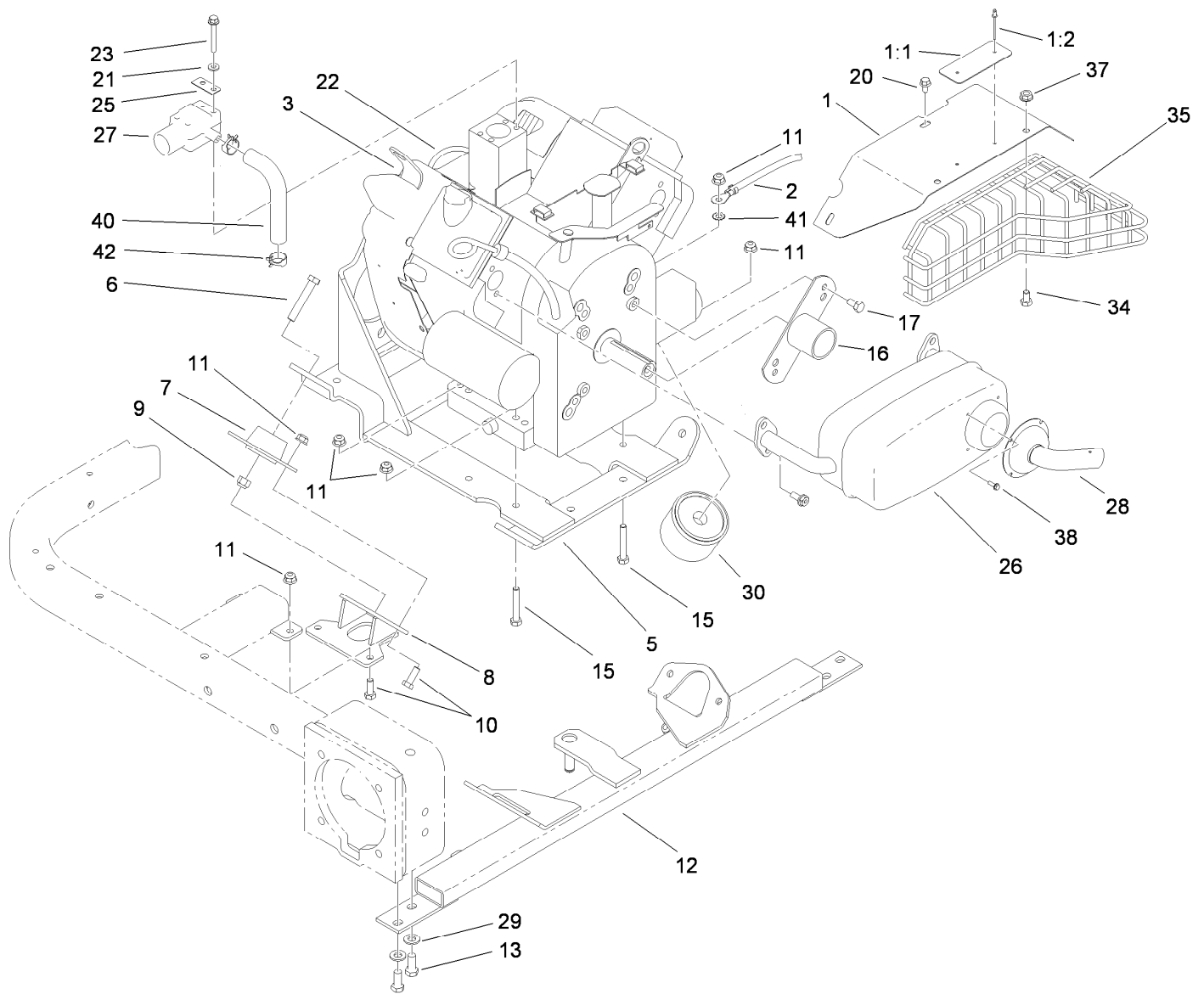
● Not serviced separately



## Pump Control Lever Assembly

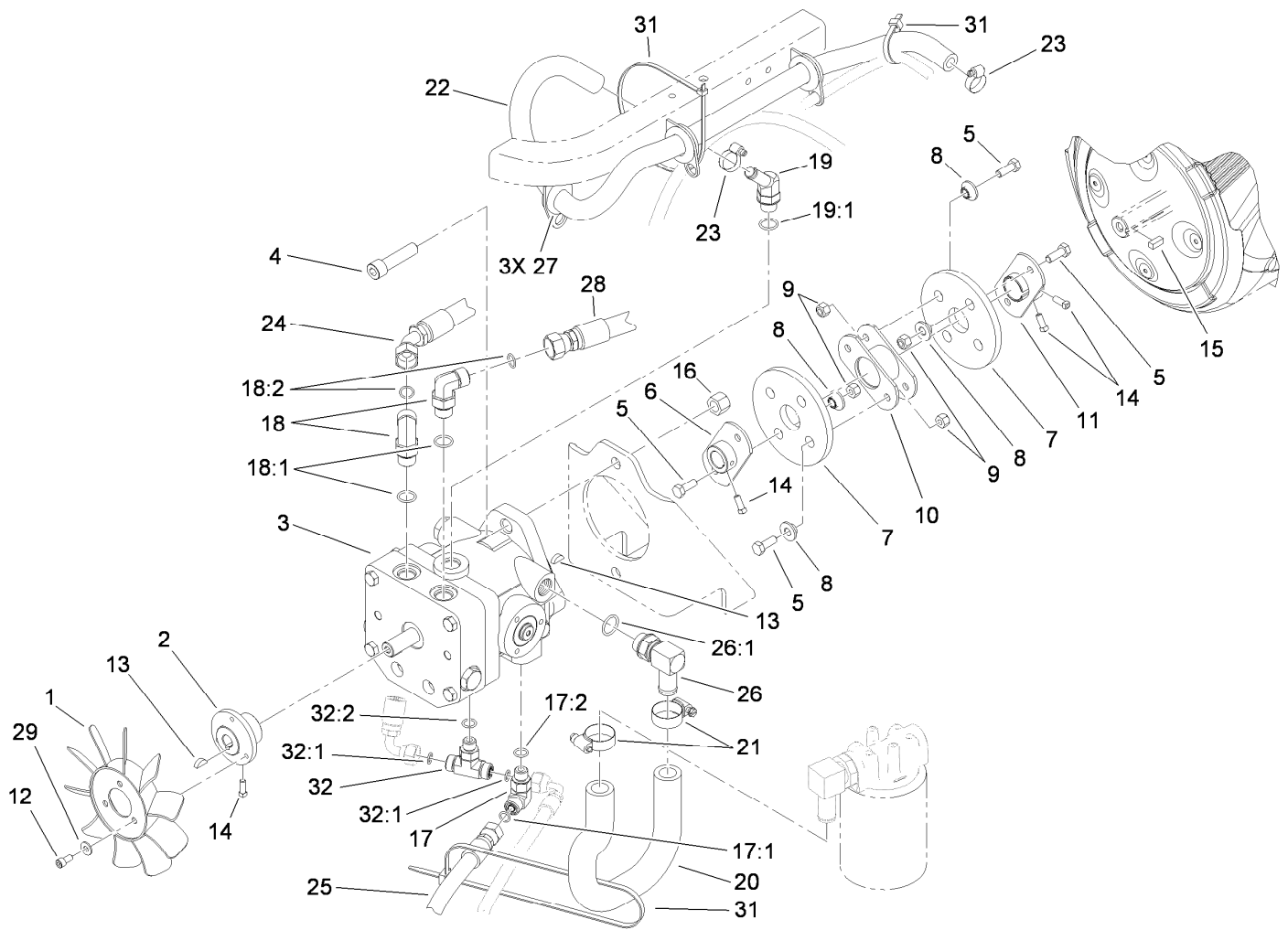
<i>Ref.</i>	<i>Part Number</i>	<i>Qty.</i>	<i>Description</i>	<i>Ref.</i>	<i>Part Number</i>	<i>Qty.</i>	<i>Description</i>
1	112-6458-03	1	Pump Lever ASM	12	3296-4	1	Nut-Lock
2	323-11	1	Screw-HH	13	49-2040	3	Screw-HWHTF
3	322-5	1	Screw-HH	14	108-5490-03	1	Pump Plate ASM
4	251-307	1	Bearing-Ball	15	3229-20	1	Screw-CARR
5	75-5470	1	Spacer-Bearing	16	100-4872	1	Plate-Switch, Neutral
6	3296-29	2	Nut-Lock, NI	17	105-0023	1	Switch-Proximity
7	76-8640	1	Stud-Traction	18	3296-2	1	Nut-Lock, NI
8	3-6498	1	Washer-Thrust	19	321-4	1	Screw-HH
9	108-5493	1	Arm ASM	20	3218-1	1	Nut-Jam
9:2	94-9609	2	Bushing-Straight	21	93-9051	1	Decal-Bolt, Eccentric
10	85-9030	1	Spring-Extension	22	3296-39	1	Nut-Lock, NI
11	18-6380	1	Pin-Adjustment, Steering				





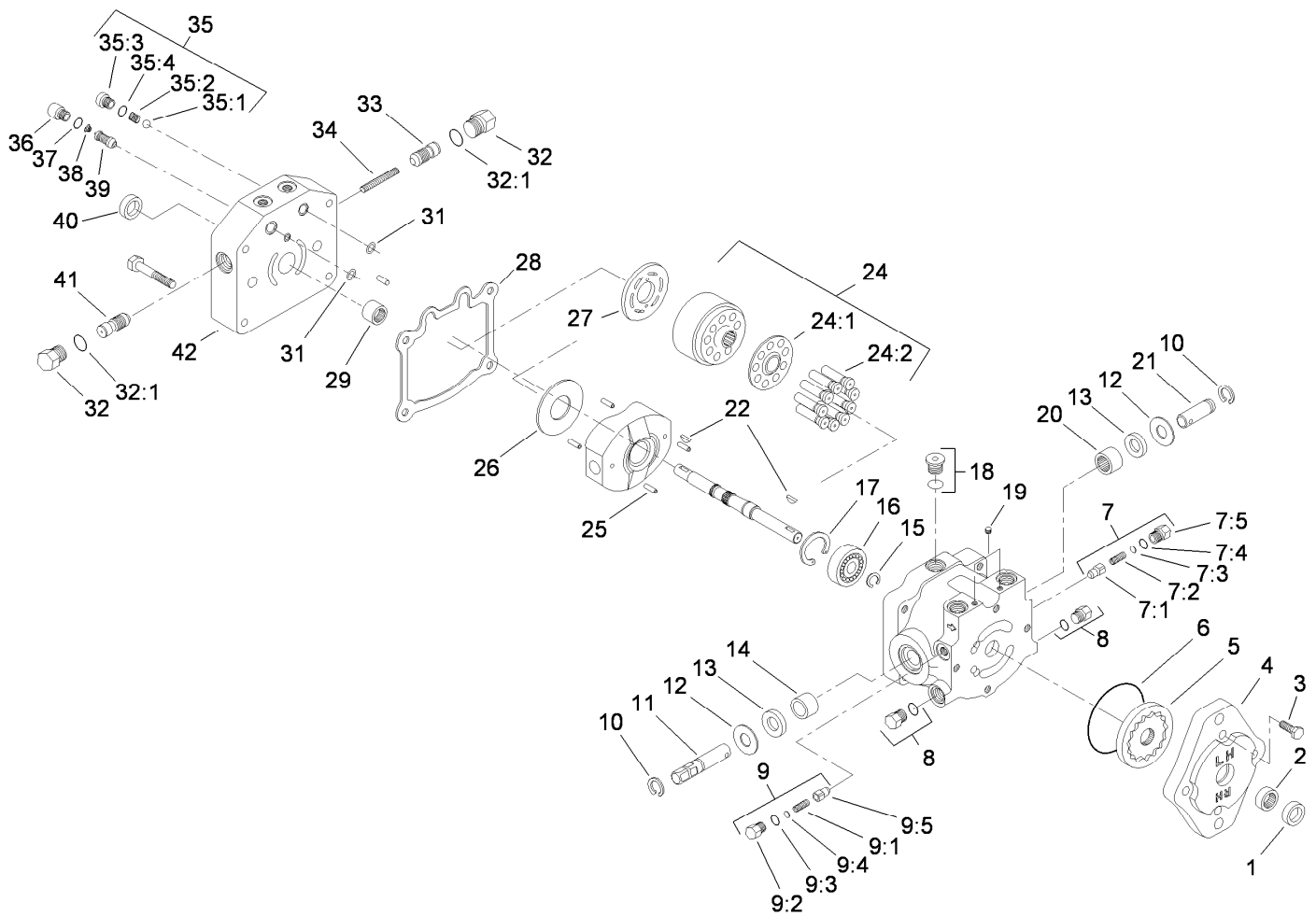
## Engine Installation Assembly

<i>Ref.</i>	<i>Part Number</i>	<i>Qty.</i>	<i>Description</i>	<i>Ref.</i>	<i>Part Number</i>	<i>Qty.</i>	<i>Description</i>
1	105-8523	1	Muffler Shield ASM	20	33103-012	3	Screw-HHF
1:1	95-0645	1	Plate-Surface, Hot	21	3256-16	4	Washer-Flat
1:2	3269-32	2	Rivet-Pop	22	110-8181	1	Hose-Fuel
2	54-3093	1	Cable-Battery, Negative	23	33103-045	4	Screw-HHF
3	117-2732	1	Engine-Briggs	25	108-8427	2	Gasket-Carburetor
5	108-2809-03	1	Engine Support ASM	26	119-2455	1	Muffler-Dual Inlet
6	323-11	4	Screw-HH	27	108-2829	1	Adaptor-Carburetor
7	83-1030	4	Mount-Engine	28	110-1306	1	Pipe-Tail
8	108-8474-01	2	Front Mount ASM	29	3256-24	4	Washer-Flat
9	104-8301	4	Nut-Flange, NI	30	107-7817	1	Filter-Oil, Engine
10	322-4	12	Screw-HH	34	3234-14	3	Screw-HHF
11	104-8300	16	Nut-Flange, NI	35	110-6348-03	1	Shield-Exhaust
12	108-2819-01	1	Engine Mount ASM	37	32128-25	3	Nut-HF
13	323-5	4	Screw-HH	38	32144-87	4	Screw-HWHTF
15	322-10	4	Screw-HH	40	112-6461	1	Hose-Adapter, Carboretor
16	95-0632-03	1	Cover ASM	41	3255-8	1	Washer-Lock
17	3210-2	2	Screw-HH	42	2412-143	2	Clamp-Hose



## Pump and Coupling Assembly

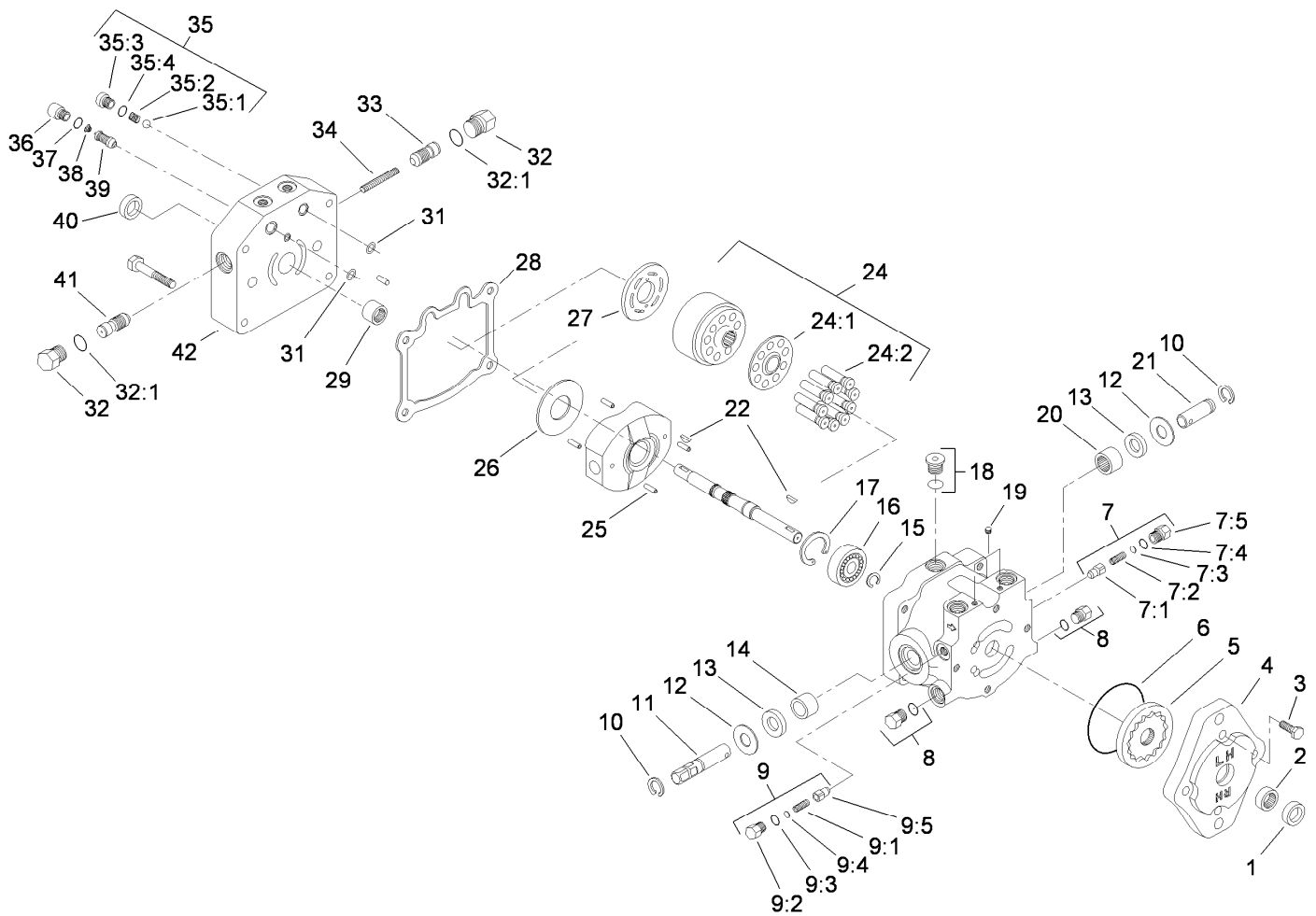
Ref.	Part Number	Qty.	Description	Ref.	Part Number	Qty.	Description
1	1-633869	1	Fan-Pump, Cooling	18:1	237-79	1	O-Ring
2	108-5484	1	Hub-Fan	18:2	237-30	1	O-Ring
3	114-0612	1	Variable Piston Pump ASM	19	354-126	1	Fitting-HYD, 45 DEG
4	3274-5	2	Screw-HSH	19:1	237-79	1	O-Ring
5	322-4	8	Screw-HH	20	108-5481	1	Hose-Suction
6	85-8700	1	Hub-Pump	21	2412-129	2	Clamp-Hose
7	80-8650	2	Coupling-Drive	22	110-1325	1	Hose-Return
8	27-6600	8	Spacer-Coupling	23	2412-36	2	Clamp-Hose
9	3296-47	8	Nut-Lock, NI	24	108-8440	1	Hose ASM
10	85-8770	1	Coupling	25	108-8428	1	HYD Hose ASM
11	85-8730	1	Hub-Engine	26	87-8170	1	Fitting
12	3274-52	3	Screw-HSH	26:1	237-80	1	O-Ring
13	3257-32	2	Key-Woodruff	27	240-4	3	Grommet-Rubber
14	3241-7	6	Screw-SQH	28	110-1322	1	HYD Hose ASM
15	85-9020	1	Key-Square	29	3256-22	3	Washer-Flat
16	3296-23	2	Nut-Lock, NI	31	3290-379	4	Tie-Cable
17	340-77	1	Fitting-HYD, 90 DEG	32	340-94	1	Adapter
17:1	237-22	1	O-Ring	32:1	237-22	2	O-Ring
17:2	237-42	1	O-Ring	32:2	237-42	1	O-Ring
18	340-98	2	Fitting-HYD, 90 DEG				



## Variable Piston Pump Assembly No. 114-0612

Ref.	Part Number	Qty.	Description	Ref.	Part Number	Qty.	Description
1	110-6337	1	Seal-Lip	9:5	83-7260	1	Cone-Relief, Charge
2	67-8050	1	Bearing-Needle	10	32151-46	2	Ring-Retaining
3	322-4	4	Screw-HH	11	88-8180	1	Shaft-Trunnion
4	114-0611	1	Housing-Pump, Charge	12	25-2510	2	Washer-Flat
5	95-5812	1	Gerotor ASM	13	25-3210	2	Seal-Lip
6	237-95	1	O-Ring	14	88-8190	1	Bearing-Journal
7	49-8520	1	Implement Relief Kit	15	94-3996	1	Ring-Retaining
7:1	83-7260	1	Cone-Relief, Charge	16	95-5809	1	Bearing-Ball
7:2	25-2570	1	Spring-Valve	17	32151-75	1	Ring-Retaining
7:3	25-2470	1	Pack-Shim	18	67-9090	1	Plug ASM
7:4	237-86	1	O-Ring	19	75-0160	1	Plug-Pipe
7:5	25-2460	1	Plug-HH	20	110-6339	1	Bearing-Needle
8	67-8030	2	Plug ASM	21	25-2500	1	Shaft-Trunnion
9	49-8510	1	Valve Kit	22	3257-32	2	Key-Woodruff
9:1	25-2480	1	Spring-Valve	24	48-1800	1	Cylinder Block Kit
9:2	25-2460	1	Plug-HH	24:1		1	Retainer-Slipper ●
9:3	237-86	1	O-Ring	24:2		9	Piston ASM ●
9:4	25-2470	1	Pack-Shim	25	32121-91	4	Pin-Spring

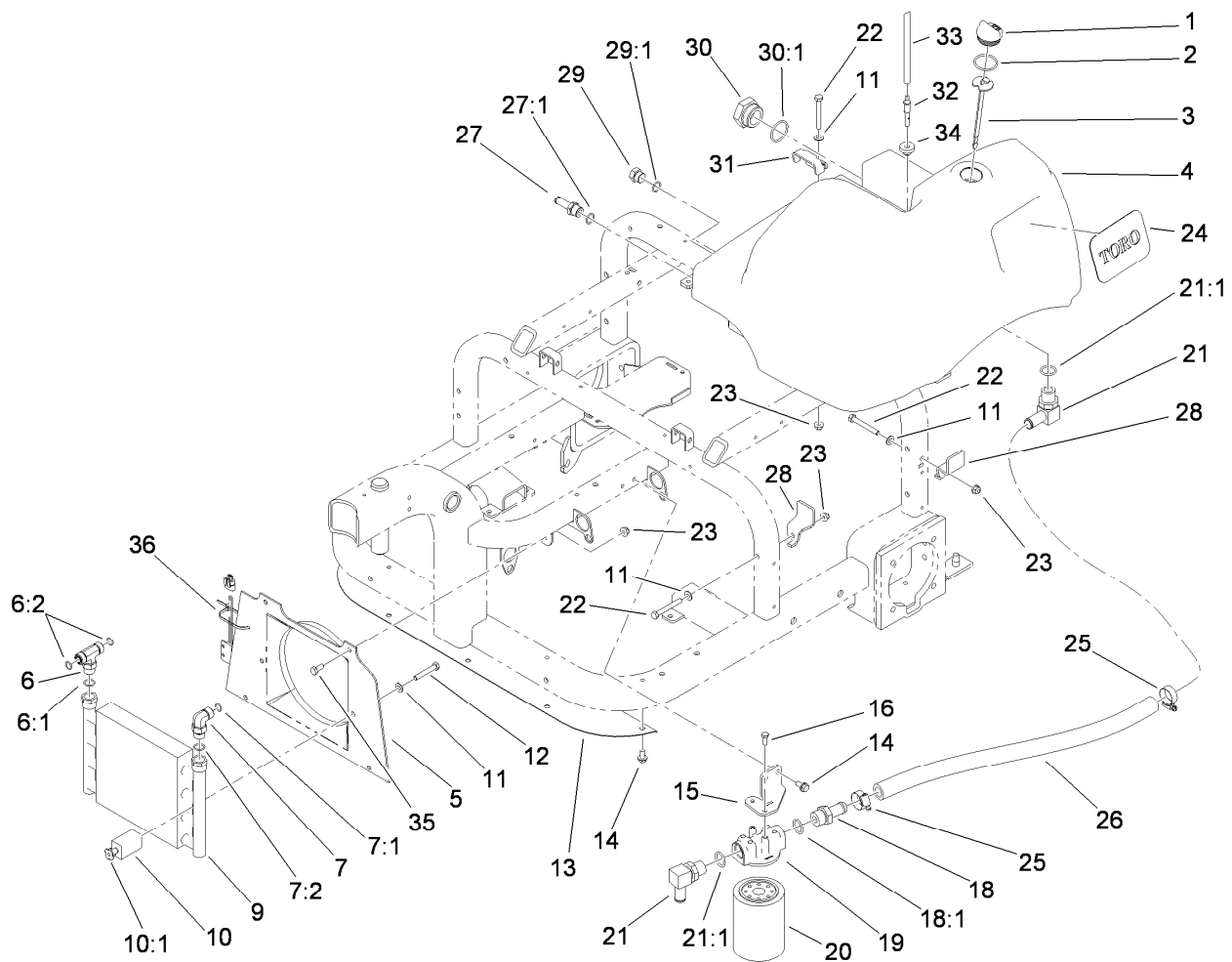
● Not serviced separately



## Variable Piston Pump Assembly No. 114-0612 (continued)

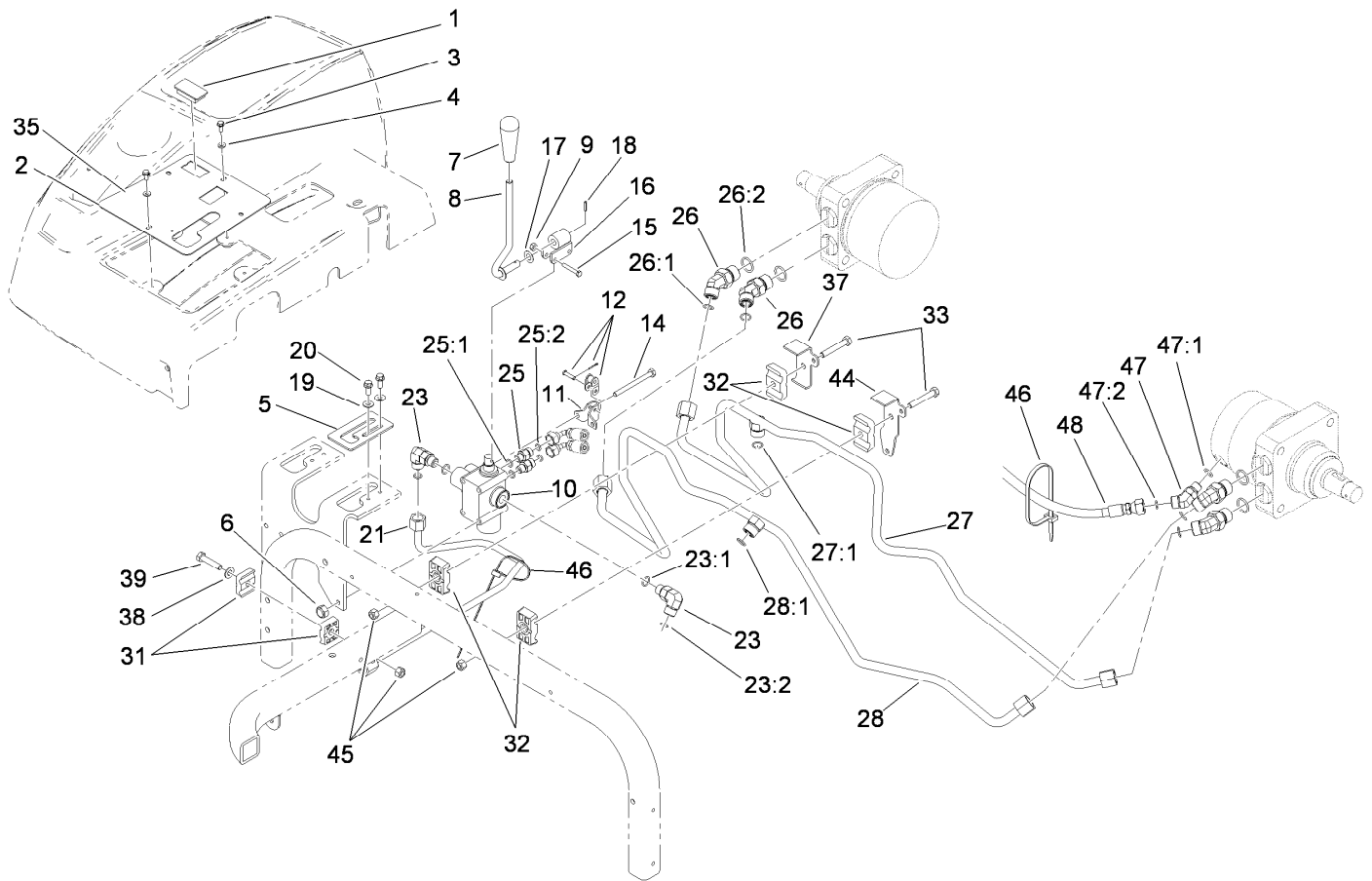
Ref.	Part Number	Qty.	Description	Ref.	Part Number	Qty.	Description
26	25-2510	1	Washer-Flat	35:2	25-2640	1	Spring-Valve
27	88-8160	1	Plate-Valve	35:3	25-2650	1	Plug-Valve, Check
28	25-2400	1	Gasket	35:4	237-86	1	O-Ring
29	110-6341	1	Bearing-Roller	36	75-0190	1	Plug-Special
31	112-7652	2	O-Ring	37	75-0240	1	O-Ring
32	28-3440	1	Plug-Threaded	38	110-6342	1	Spring
32:1	75-0240	1	O-Ring	39	110-6343	1	Valve-Scr
33	98-0920	1	Valve-Acceleration	40	88-8230	1	Seal-Lip
34	25-2610	1	Spring-Valve	41	98-0920	1	Valve-Acceleration
35	99-5689	1	Check Valve Kit	42	112-7651	1	Cap-End
35:1	25-2490	1	Ball				

● Not serviced separately



## Hydraulic Tank, Filter and Cooler Assembly

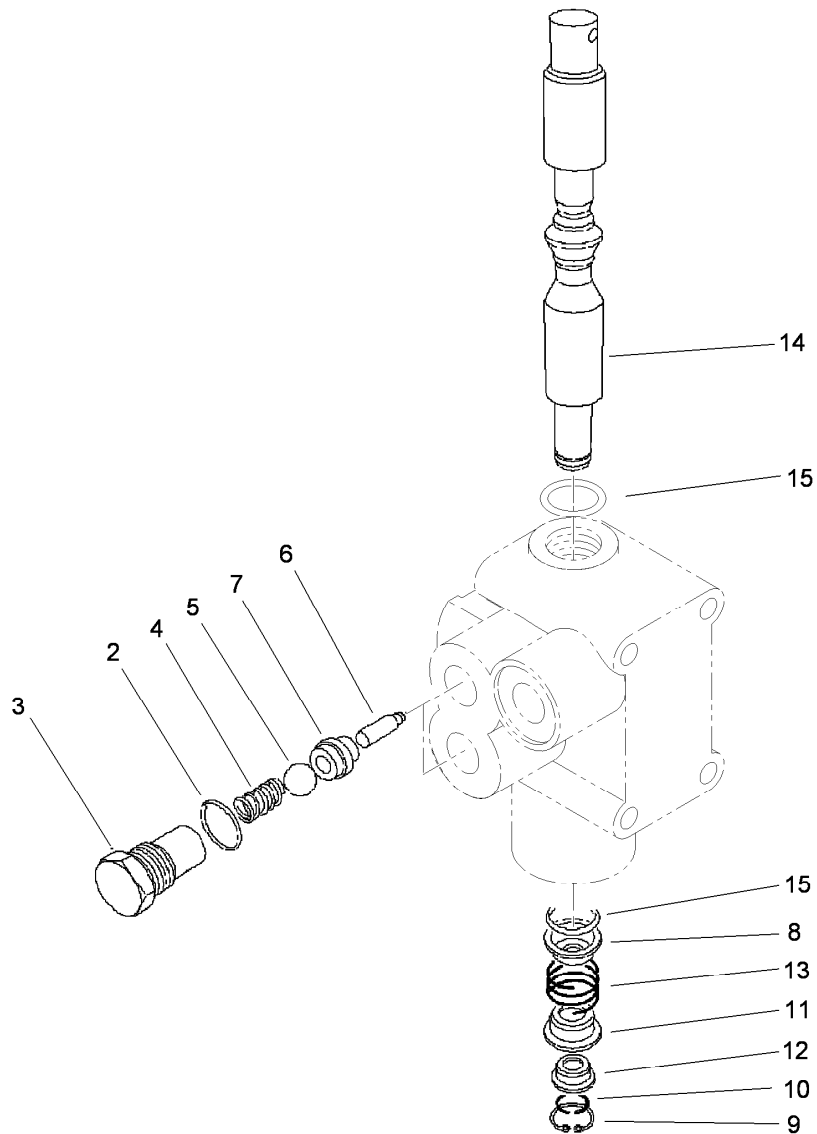
<i>Ref.</i>	<i>Part Number</i>	<i>Qty.</i>	<i>Description</i>	<i>Ref.</i>	<i>Part Number</i>	<i>Qty.</i>	<i>Description</i>
1	93-7498	1	Plug-Plastic	20	54-0110	1	Filter-Oil, Transmission
2	237-101	1	O-Ring	21	353-987	2	Fitting-HYD, 90 DEG (Barbed)
3	108-7996	1	Dipstick ASM	21:1	237-81	1	O-Ring
4	108-2937	1	Tank-HYD	22	322-12	5	Screw-HH
5	108-5477	1	Shroud-Fan	23	104-8300	9	Nut-Flange, NI
6	340-157	1	Fitting-HYD, Tee	24	108-8452	1	Decal-Logo
6:1	237-79	1	O-Ring	25	2412-129	2	Clamp-Hose
6:2	237-30	2	O-Ring	26	108-5483	1	Hose-Suction, Tank
7	340-98	1	Fitting-HYD, 90 DEG	27	354-121	1	Fitting-Straight
7:1	237-79	1	O-Ring	27:1	237-79	1	O-Ring
7:2	237-30	1	O-Ring	28	108-7965	2	Clamp-Tank, HYD
9	108-8457	1	Cooler-Oil	29	353-550	1	Plug-HYD, HH
10	85-9550	2	Rubber Clamp ASM	29:1	237-79	1	O-Ring
10:1	85-9670	1	T-Nut	30	108-8468	1	Plug-HH
11	3256-23	7	Washer-Flat	30:1	237-101	1	O-Ring
12	322-10	2	Screw-HH	31	108-7903	1	Clamp-Tank
13	108-5480-03	1	Panel-Cooler	32	110-1372	1	Fitting-Vent, Tank
14	32144-14	7	Screw-HWHTF	33	110-8181	1	Hose-Fuel
15	108-5482	1	Bracket-Filter, Oil	34	46-6560	1	Bushing
16	3234-4	2	Screw-HHF	35	322-3	4	Screw-HH
18	354-73	1	Fitting-Straight	36	3290-379	1	Tie-Cable
18:1	237-81	1	O-Ring				
19	68-8990	1	Filter Head ASM				



## Lift Valve and Rear Tube Assembly

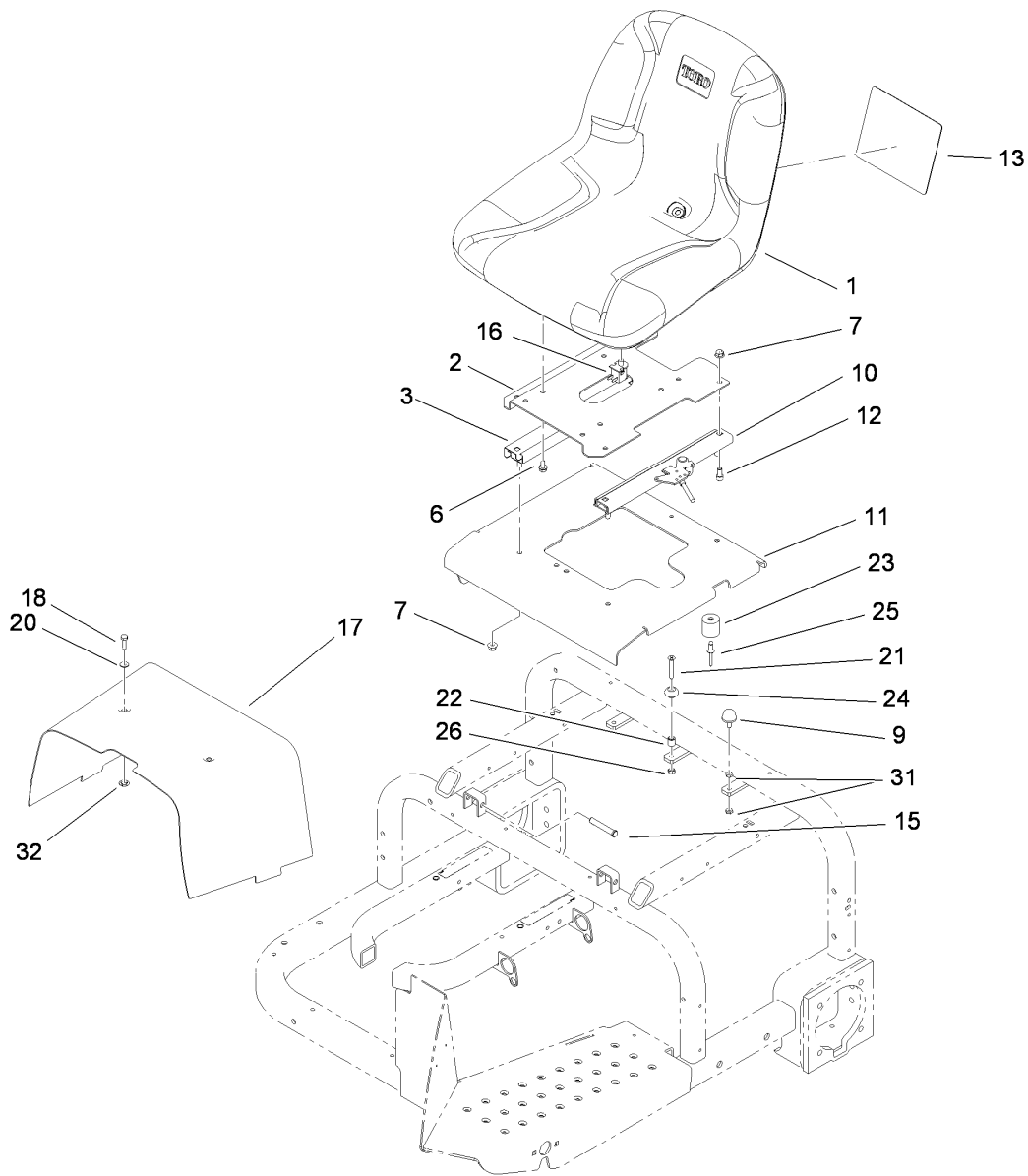
Ref.	Part Number	Qty.	Description
1	99-7420	1	Plug-Hole
2	108-7909-03	1	Panel-Control
3	3290-321	4	Screw-HWH
4	3256-51	4	Washer-Flat
5	108-7941	1	Plate-Guide, Lever
6	3296-42	3	Nut-Lock, NI
7	98-0152	1	Knob-Tapered
8	108-7942	1	Rear Lever ASM
9	3296-2	2	Nut-Lock, NI
10	43-1710	1	Valve ASM
11	88-8480	1	Bracket-Pivot
12	2710-20	1	Link-Offset
14	321-23	3	Screw-HH
15	3290-360	2	Screw-HH
16	98-8159	1	Pivot
17	3290-477	1	Washer-Curved
18	32121-73	1	Pin-Roll
19	3256-1	2	Washer-Flat
20	3234-33	2	Screw-HHF
21	108-8416	1	Tube ASM
23	340-77	2	Fitting-HYD, 90 DEG
23:1	237-22	1	O-Ring
23:2	237-42	1	O-Ring
25	340-92	2	Fitting-HYD, Straight

Ref.	Part Number	Qty.	Description
25:1	237-78	1	O-Ring
25:2	237-21	1	O-Ring
26	340-89	4	Fitting-HYD, 45 DEG
26:1	237-30	1	O-Ring
26:2	237-80	1	O-Ring
27	108-8406	1	Tube ASM
27:1	237-30	1	O-Ring
28	110-1323	1	Tube ASM
28:1	237-30	1	O-Ring
31	56-7973	2	Clamp-Tube
32	56-7976	4	Clamp-Tube
33	322-10	2	Screw-HH
35	108-8484	1	Decal-Lift, Rear
37	110-1333	1	Bracket-Clamp
38	3256-23	1	Washer-Flat
39	322-7	1	Screw-HH
44	110-1332	1	Bracket-Clamp
45	3296-29	3	Nut-Lock, NI
46	3290-378	2	Tie-Cable
47	340-87	1	Fitting-HYD, 45 DEG
47:1	237-22	1	O-Ring
47:2	237-42	1	O-Ring
48	112-1411	1	Hose-HYD



## Valve Assembly No. 43-1710

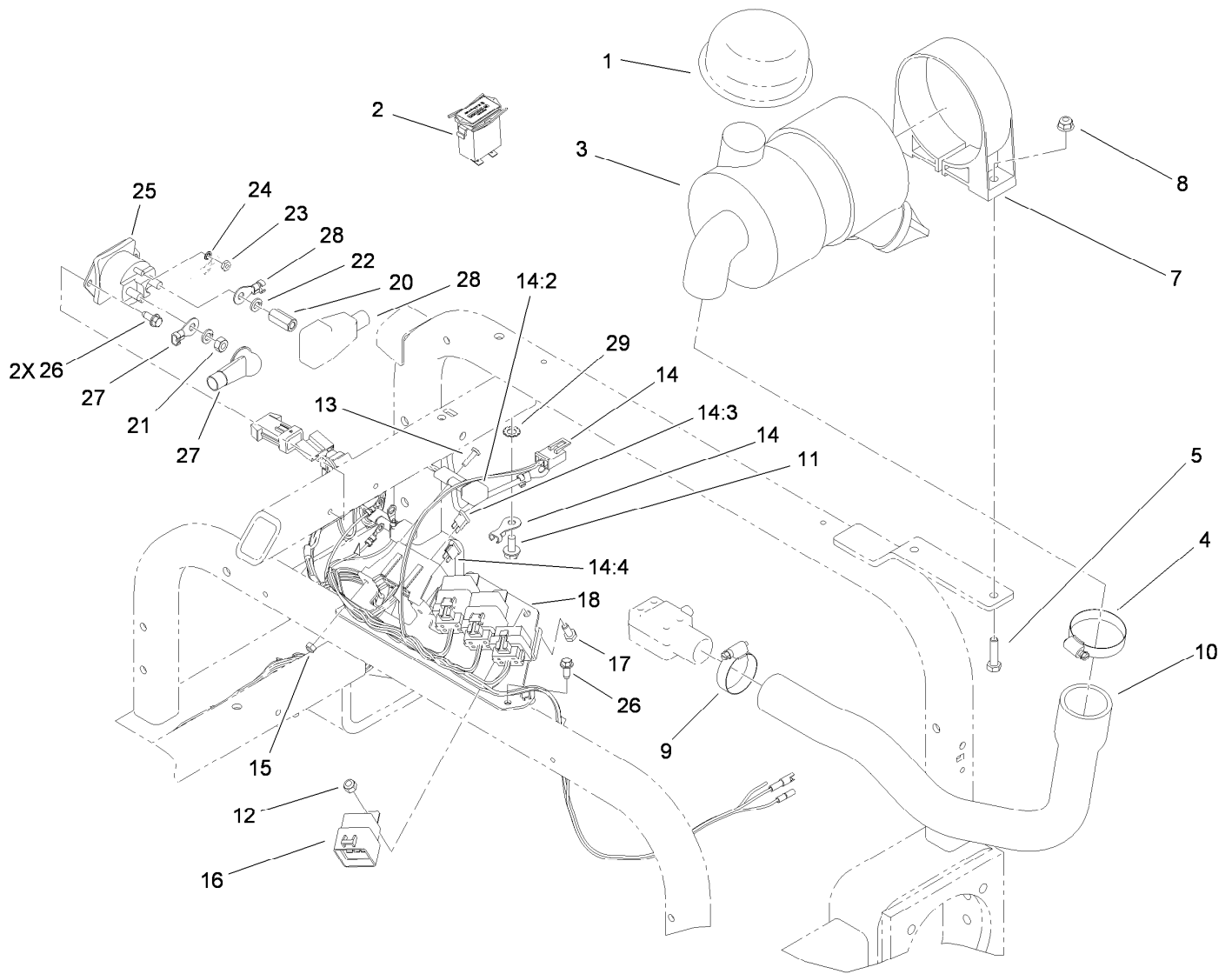
Ref.	Part Number	Qty.	Description
2	237-42	2	O-Ring
3	22-8330	2	Plug
4	22-8340	2	Spring
5	22-8350	2	Ball
6	22-8360	2	Pin
7	22-8370	2	Seat-Valve
8	22-8380	1	Retainer
9	22-8490	1	Ring-Snap
10	22-8480	1	Ring-Snap
11	22-8390	1	Retainer
12	22-8400	1	Spacer
13	22-8410	1	Spring
14	22-8420	1	Spool
15	22-8500	2	O-Ring



## Seat and Shroud Assembly

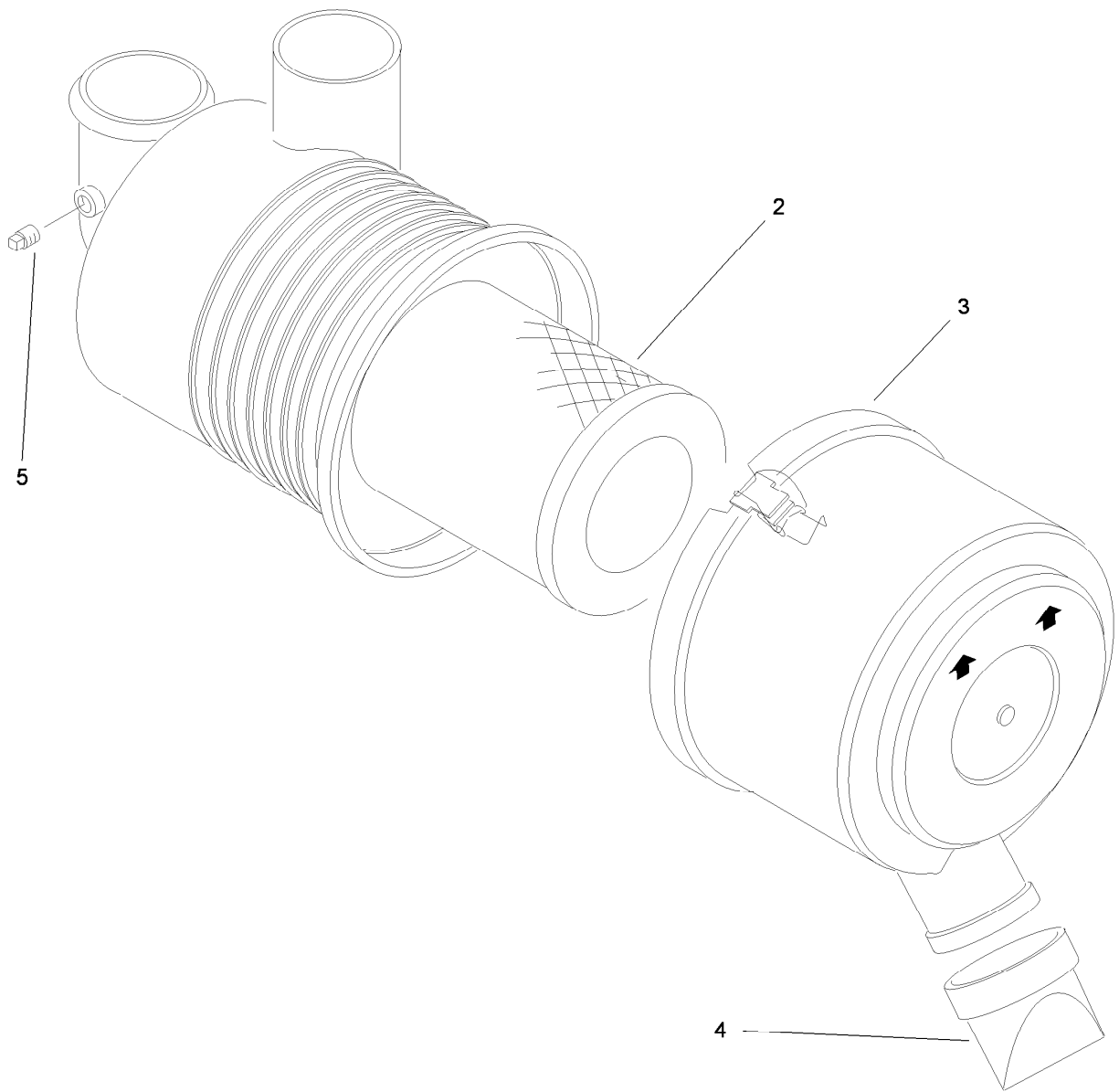
<i>Ref.</i>	<i>Part Number</i>	<i>Qty.</i>	<i>Description</i>	<i>Ref.</i>	<i>Part Number</i>	<i>Qty.</i>	<i>Description</i>
1	108-6878	1	Seat	17	108-6859-01	1	Shroud-Center
2	108-7931-03	1	Base-Seat	18	321-5	2	Screw-HH
3	51-0780	1	Slider-Seat	20	3256-1	2	Washer-Flat
6	3234-14	4	Screw-HHF	21	32108-9	1	Screw-FH
7	104-8300	8	Nut-Flange, NI	22	609588	1	Spacer
9	1-523420	2	Bumper	23	99-7830	1	Rubber Receptical ASM
10	51-0790	1	Adjuster-Seat, LH	24	99-7833	1	Post-Holding
11	112-1445-03	1	Seat ASM	25	3290-412	1	Rivet
12	3274-12	4	Screw-HSH	26	3296-42	1	Nut-Lock, NI
13	108-8418	1	Decal-Service	31	3218-1	4	Nut-Jam
15	112-7153	2	Pin	32	106-8737	2	Nut-Retainer
16	82-2190	1	Switch-Bail				





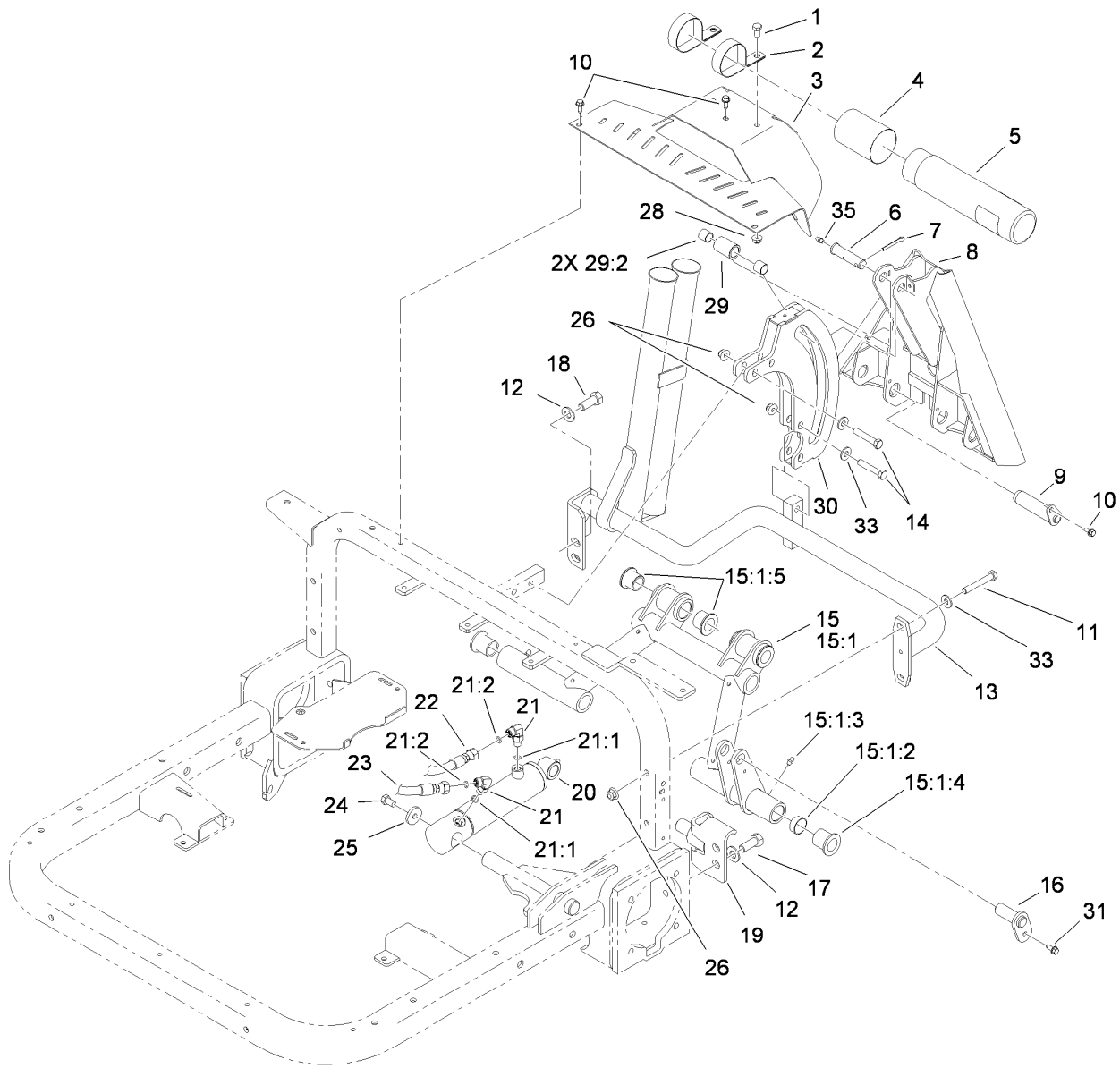
## Wire Harness, Air Cleaner and Hose Assembly

<i>Ref.</i>	<i>Part Number</i>	<i>Qty.</i>	<i>Description</i>	<i>Ref.</i>	<i>Part Number</i>	<i>Qty.</i>	<i>Description</i>
1	46-7510	1	Hood-Inlet, Air	14:4	109355	1	Fuse-Blade, 15 Amp
2	1-513374	1	Meter-Hour	15	3296-2	2	Nut-Lock, NI
3	93-2190	1	Air Cleaner ASM	16	99-7430	3	Relay
4	2412-92	1	Clamp-Hose	17	321-3	3	Screw-HH
5	322-6	2	Screw-HH	18	112-1444-01	1	Bracket-Relay
7	95-5806	1	Bracket-Mounting	20	110-3380	1	Nut-Standoff
8	104-8300	2	Nut-Flange, NI	21	3218-13	1	Nut-Jam, Brass
9	2412-3	1	Clamp-Hose	22	3253-4	2	Washer-Lock
10	108-8401	1	Hose-Air	23	3219-14	2	Nut-Hex
11	32144-14	1	Screw-HWHTF	24	3254-1	2	Washer-Lock, Int
12	3296-42	3	Nut-Lock, NI	25	28-4210	1	Solenoid
13	3250-13	2	Screw-PPH	26	32144-10	4	Screw-HWH
14	112-1446	1	Harness-Wire	27	110-3315	1	Cable-Positive, Starter
14:2	100-4918	2	Diode	28	110-3314	1	Cable-Positive, Battery
14:3	218-578	1	Fuse-Blade, 10 Amp	29	3255-9	1	Washer-Lock



## Air Cleaner Assembly No. 93-2190

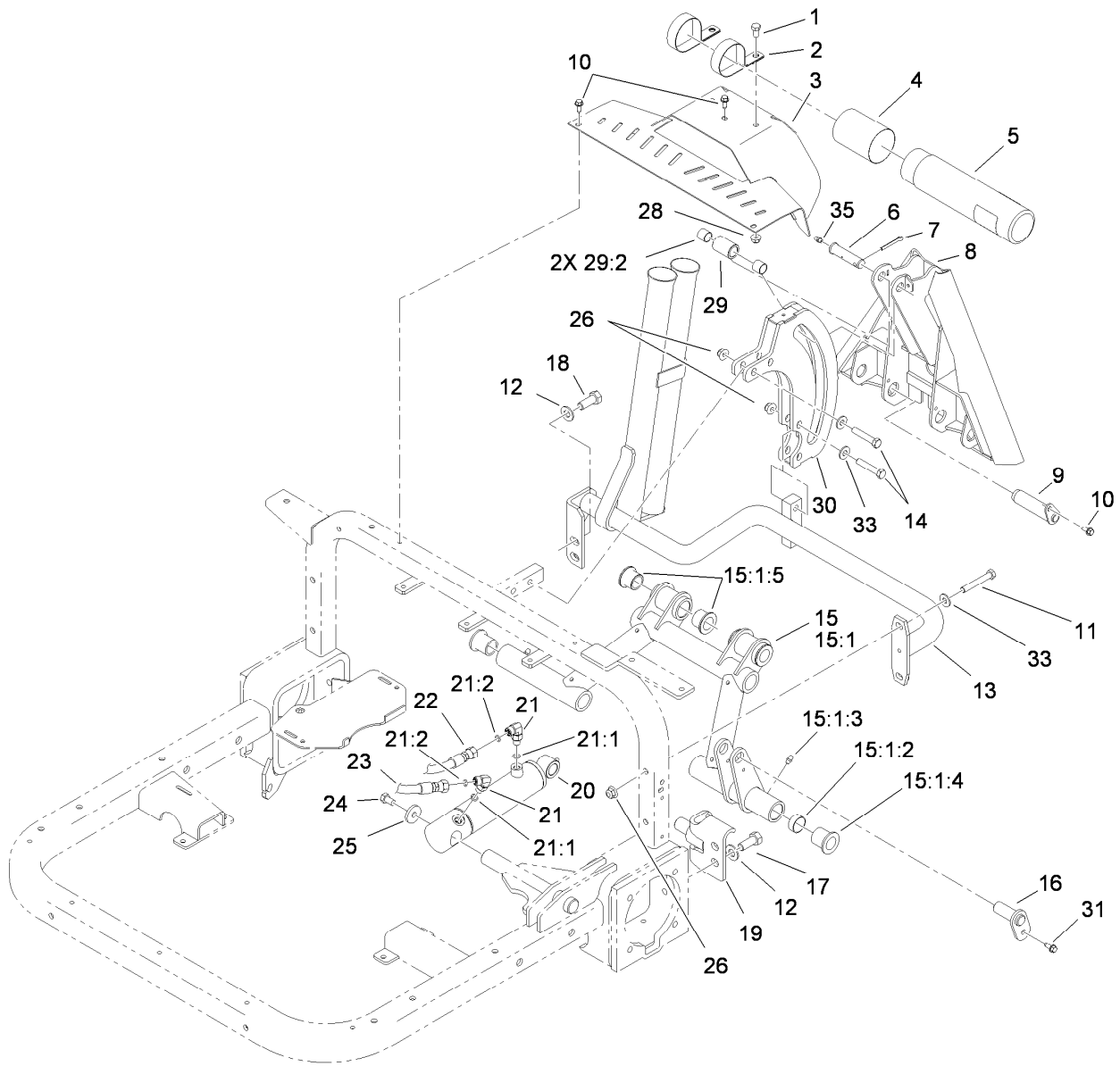
<i>Ref.</i>	<i>Part Number</i>	<i>Qty.</i>	<i>Description</i>
2	108-3811	1	Filter-Air
3	94-3652	1	Cover ASM
4	87-9400	1	Valve-Vacuator
5	285-17	1	Plug-Pipe



## Rear Hitch Assembly

Ref.	Part Number	Qty.	Description	Ref.	Part Number	Qty.	Description
1	322-2	2	Screw-HH	15:1:4	95-3577	2	Bushing
2	2412-133	2	R-Clamp	15:1:5	33-3090	4	Bushing
3	108-7970-01	1	Rear Cover ASM	16	115-5648	1	Pin-Flag
4	104-7048	1	Cap-Housing	17	325-4	2	Screw-HH
5	104-7050	1	Tube-Manual	18	325-5	2	Screw-HH
6	108-2282	1	Pin-Clevis	19	114-0619	2	Pivot Pin ASM
7	3272-23	1	Pin-Cotter	20	115-5647	1	HYD Lift Cylinder ASM
8	108-6870-01	1	Adapter ASM	21	340-132	2	Fitting-HYD, 90 DEG
9	108-6885	2	Pin ASM	21:1	237-78	1	O-Ring
10	32144-10	5	Screw-HWH	21:2	237-21	1	O-Ring
11	323-12	2	Screw-HH	22	95-8837	1	Hose ASM
12	3256-26	4	Washer-Flat	23	100-3833	1	HYD Hose ASM
13	108-6860-03	1	Hitch Frame ASM	24	323-34	1	Screw-HH
14	323-10	4	Screw-HH	25	53-6380	1	Washer-Flat
15	117-4691-01	1	Tube-Rear	26	104-8301	6	Nut-Flange, NI
15:1		1	Rear Tube ASM ●	28	104-8300	2	Nut-Flange, NI
15:1:2	110-3365	2	Plug-Expansion	29	108-5472	1	Tube ASM
15:1:3	302-5	4	Fitting-Grease	29:2	256-311	2	Bushing-Split

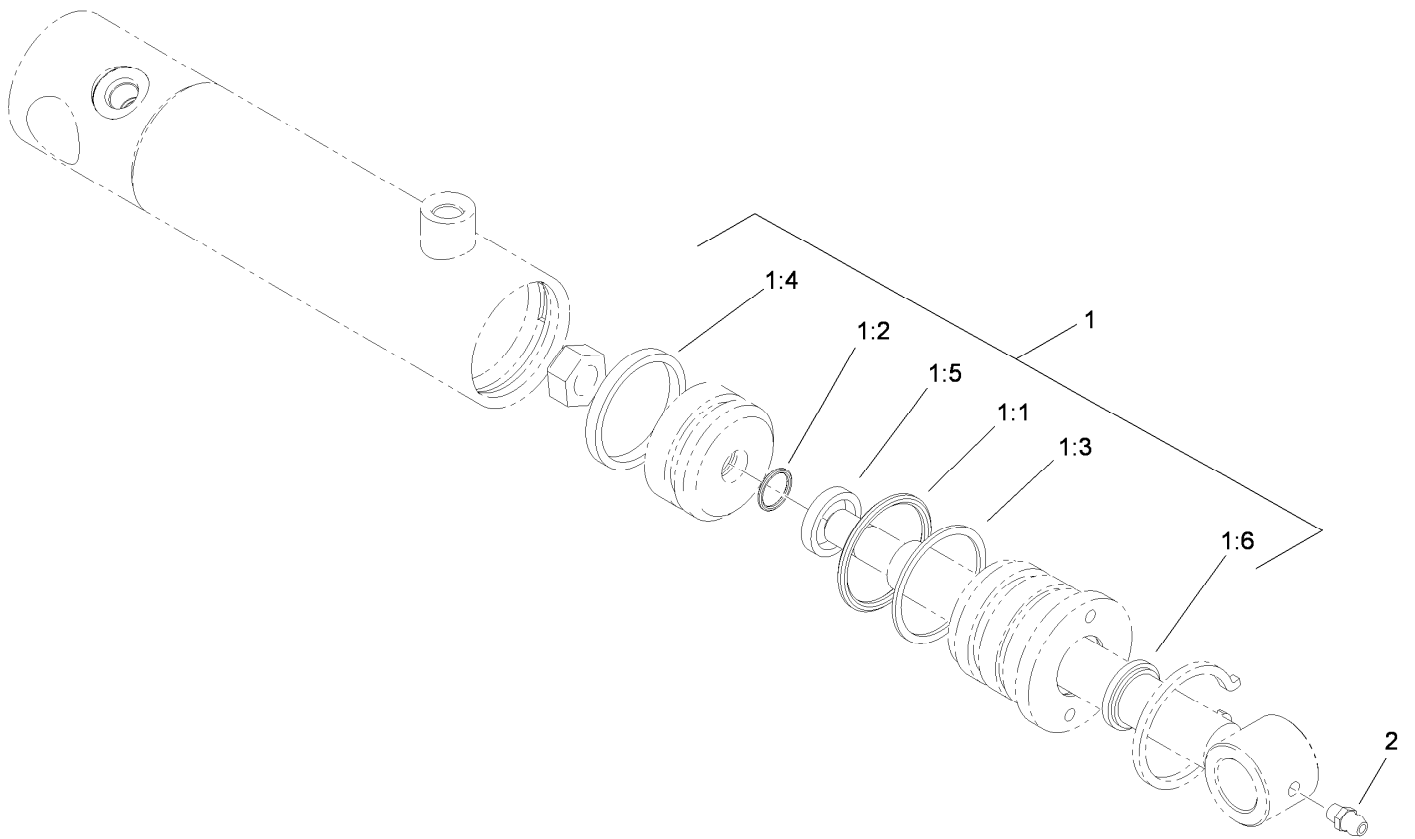
● Not serviced separately



## Rear Hitch Assembly (continued)

<i>Ref.</i>	<i>Part Number</i>	<i>Qty.</i>	<i>Description</i>	<i>Ref.</i>	<i>Part Number</i>	<i>Qty.</i>	<i>Description</i>
30	110-1368-01	1	Roller Plate ASM	33	3256-3	6	Washer-Flat
31	32144-10	1	Screw-HWH	35	302-5	1	Fitting-Grease

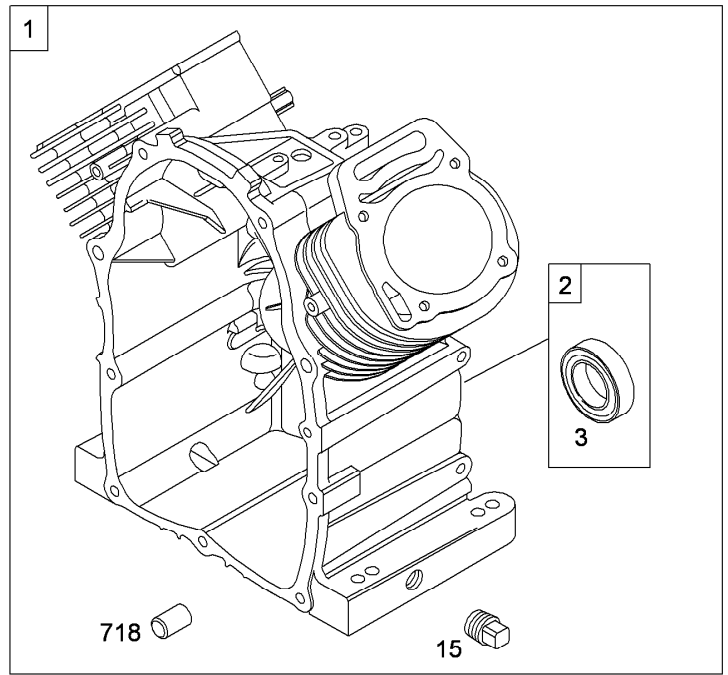
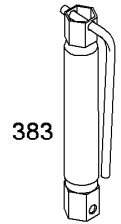
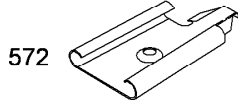
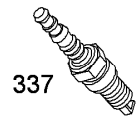
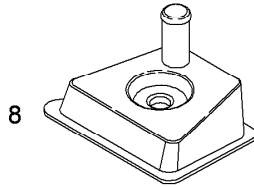
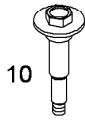
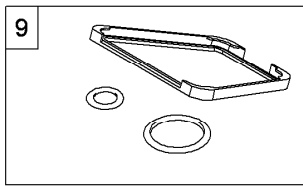
● Not serviced separately



## Hydraulic Lift Cylinder Assembly No. 115-5647

<i>Ref.</i>	<i>Part Number</i>	<i>Qty.</i>	<i>Description</i>
1	108-4597	1	Seal Kit
1:1		1	Ring-Retaining ●
1:2		1	Ring-Retaining ●
1:3		1	Ring-Back Up ●
1:4		1	Seal-Psp ●
1:5		1	Seal-Rod ●
1:6		1	Seal-Dust ●
2	302-5	1	Fitting-Grease

● Not serviced separately



- 1019 Label Kit
- 1058 Operator Manual
- 1330 Repair Manual

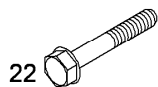
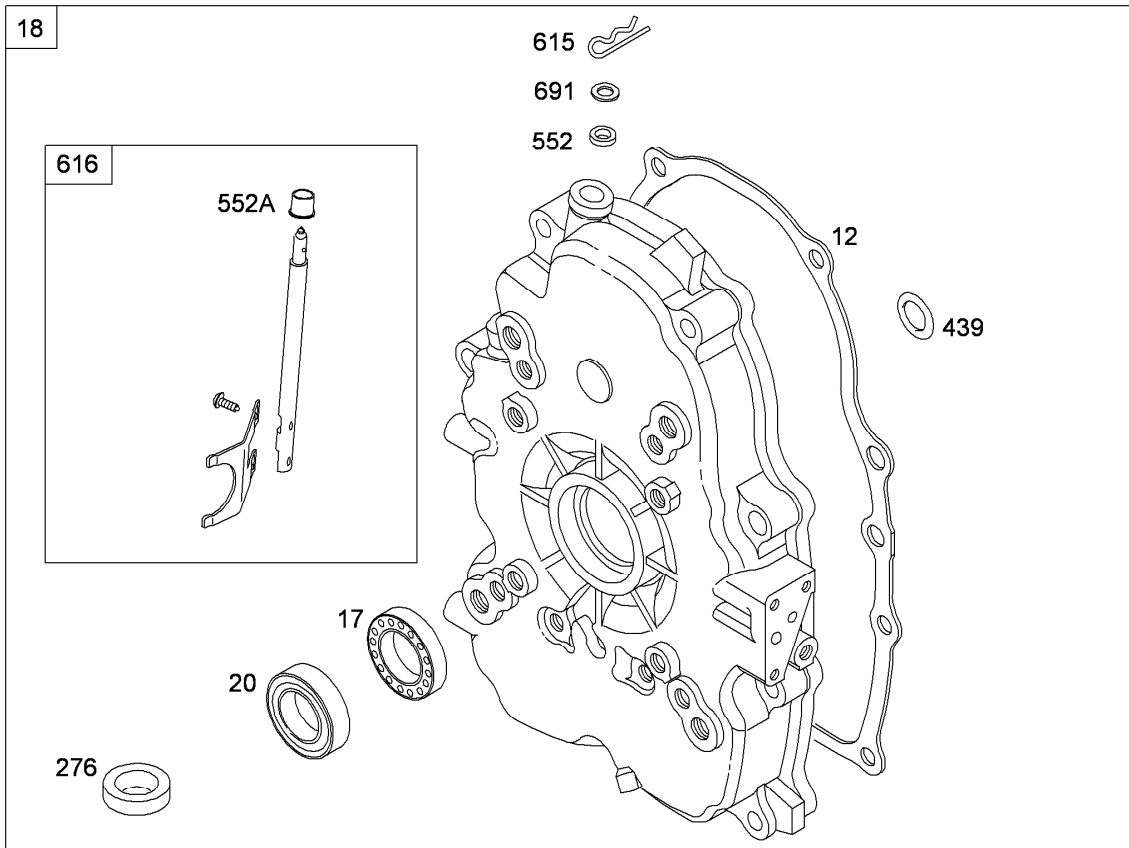
Assemblies include all parts shown in frames

## Cylinder Assembly Briggs and Stratton 356447-0179-E2

Ref.	Part Number	Qty.	Description
1	692544	1	Cylinder ASM ●
2	808534	1	Bushing-Seal Kit (Magneto Side) ●
3	805101	1	Seal-Oil (Magneto Side) ●■
8	808984	1	Breather ASM ●
9	809094	1	Gasket-Breather ●■
10	690751	1	Screw (Breather ASM) ●
15	690946	1	Plug-Drain, Oil ●
337	496018	1	Spark Plug ●
383	19374	1	Wrench-Spark Plug ●
572	690686	1	Baffle-Breather ●
635	692076	1	Boot-Spark Plug ●
718	806469	1	Pin-Locating ●
1019	808036	1	Label Kit ●
1058	276343	1	Operator Manual ●
1330	272144	1	Repair Manual ●

● Obtain parts from [www.briggsandstratton.com](http://www.briggsandstratton.com)

■ Included in Engine Gasket Set (Ref. No. 358)



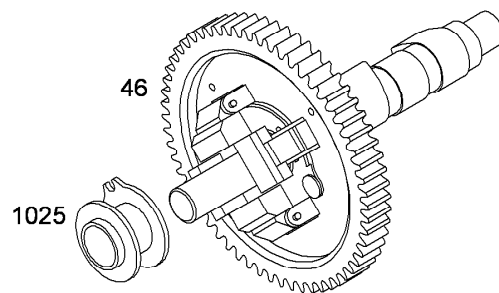
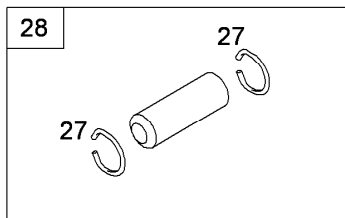
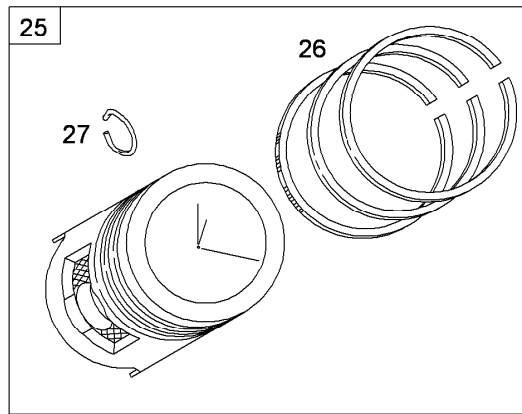
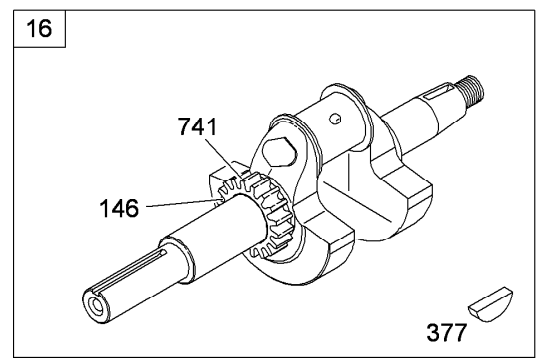
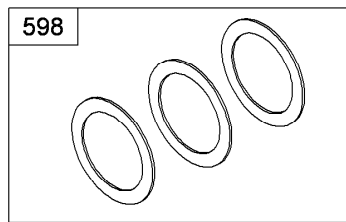
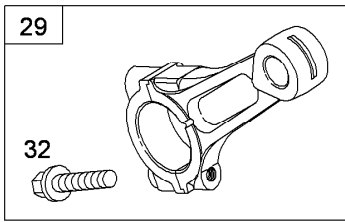
Assemblies include all parts shown in frames

## Crankcase Assembly Briggs and Stratton 356447-0179-E2

Ref.	Part Number	Qty.	Description
12	842589	1	Gasket-Crankcase ●■
17	690752	1	Bearing-Ball ●
18	808847	1	Cover-Crankcase ●
20	805049	1	Seal-Oil (PTO Side) ●■
22	807362	1	Screw (Crankcase Cover) ●
276	690724	1	Washer-Sealing ●
439	692154	1	Seal-O Ring (Crankcase Cover) ●■
552	690701	1	Bushing-Crank, Governor ●
552A	806686	1	Bushing-Crank, Governor ●
615	691550	1	Retainer-Shaft, Governor ●
616	806685	1	Crank-Governor ●
691	690680	1	Seal-Shaft, Governor ●■

● Obtain parts from [www.briggsandstratton.com](http://www.briggsandstratton.com)

■ Included in Engine Gasket Set (Ref. No. 358)



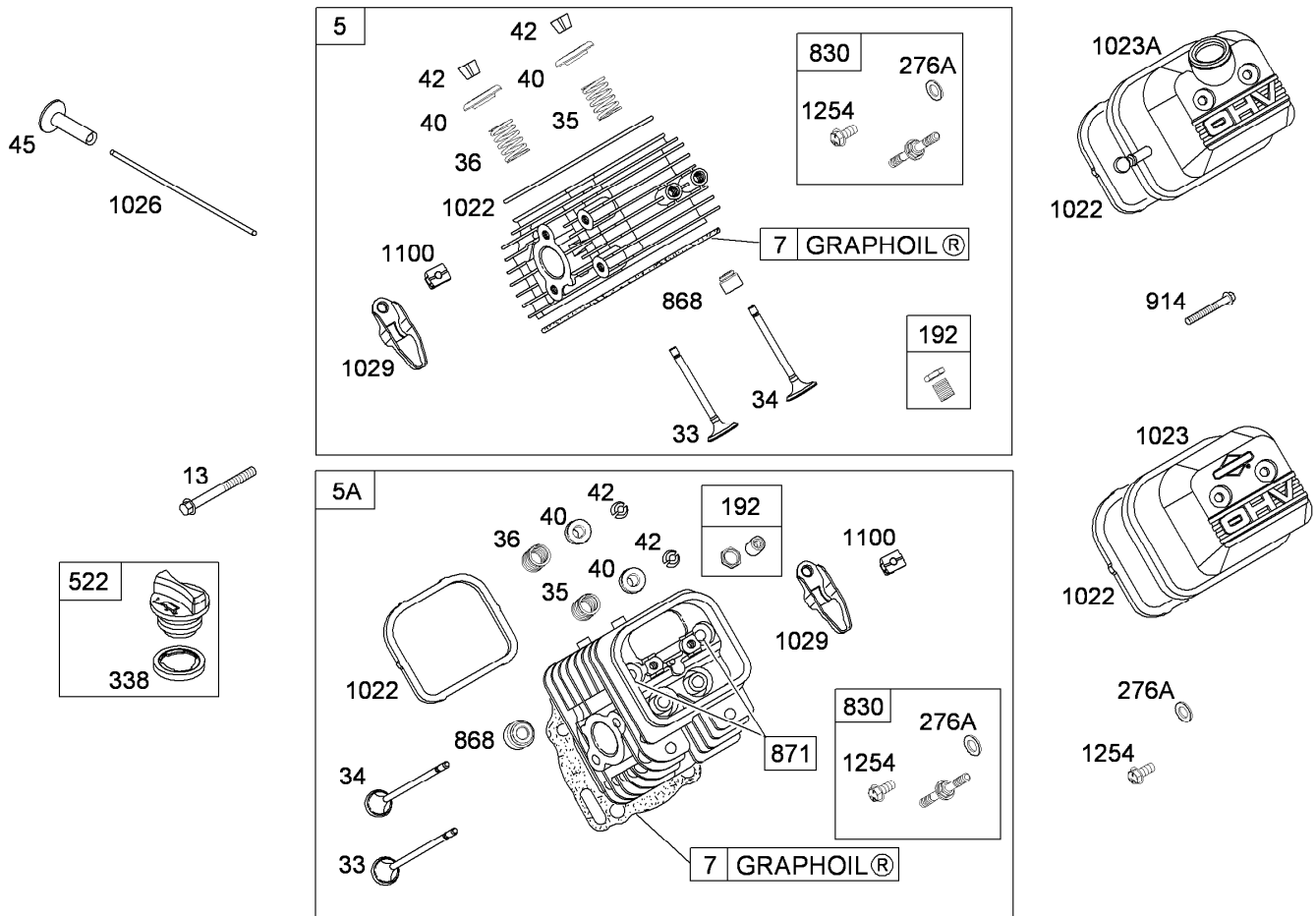
Assemblies include all parts shown in frames

## Crankshaft Assembly Briggs and Stratton 356447-0179-E2

Ref.	Part Number	Qty.	Description
16	809836	1	Crankshaft ●
25	808326	1	Piston ASM (Standard) ●
25	808337	1	Piston ASM (.020 O.S.) ●
26	807889	1	Ring Set (Standard) ●
26	807995	1	Ring Set (.020 O.S.) ●
27	690683	1	Lock-Pin, Piston ●
28	807886	1	Pin-Piston ●
29	807900	1	Rod-Connecting (Standard) ●
29	807803	1	Rod-Connecting (.020 Undersize) ●
32	690698	1	Screw (Connecting Rod) ●
46	691557	1	Camshaft ●
146	691639	1	Key-Timing ●
357	691483	1	Key pulley , Drive ●
377	808095	1	Key-Woodruff ●
598	807625	1	Shim-Play, End ●
741	691530	1	Gear-Timing ●
1025	690689	1	Spool-Governor ●

● Obtain parts from [www.briggsandstratton.com](http://www.briggsandstratton.com)





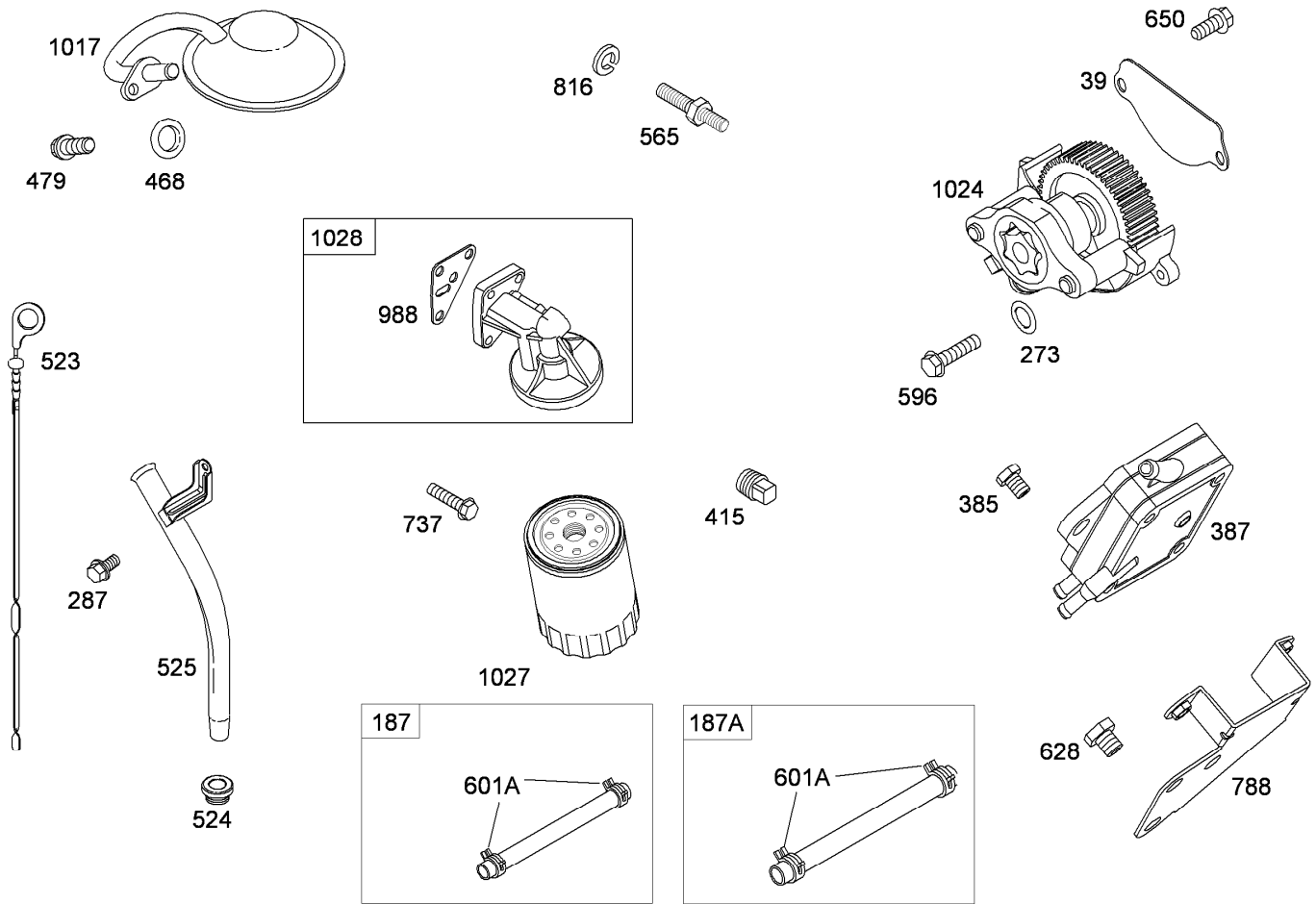
Assemblies include all parts shown in frames

## Cylinder Head Assembly Briggs and Stratton 356447-0179-E2

Ref.	Part Number	Qty.	Description	Ref.	Part Number	Qty.	Description
5	809185	1	Cylinder Head (No. 1) ●	522	491832	1	Plug-Fill, Dipstick ●
5A	809186	1	Cylinder Head (No. 2) ●	830	809157	1	Stud-Arm, Rocker ●
7	690888	1	Gasket-Head, Cylinder ●■▲	868	691963	1	Seal-Valve ●■▲
13	692059	1	Screw ●	871	692057	1	Bushing-Guide, Valve ●
33	807681	1	Valve-Exhaust ●	914	807120	1	Screw ●
34	807680	1	Valve-Intake ●	1022	806039	1	Gasket-Cover, Rocker ●■▲
35	692084	1	Spring-Valve ●	1023	691494	1	Cover-Valve ●
36	692084	1	Spring-Valve ●	1023A	690910	1	Cover-Valve ●
40	692058	1	Retainer-Valve ●	1026	691836	1	Rod-Push ●
42	807683	1	Keeper-Valve ●	1026	691758	1	Rod-Push ●
45	690977	1	Tappet-Valve ●	1029	807323	1	Arm-Rocker ●
192	807623	1	Adjuster-Arm, Rocker ●	1100	791959	1	Pivot-Arm, Rocker ●
276A	807085	1	Washer-Sealing ●■▲	1254	807084	1	Screw ●
338	691312	1	Seal-O Ring ●■▲				

● Obtain parts from [www.briggsandstratton.com](http://www.briggsandstratton.com)  
▲ Included in Valve Gasket Set (Ref. No. 1095)

■ Included in Engine Gasket Set (Ref. No. 358)



Assemblies include all parts shown in frames

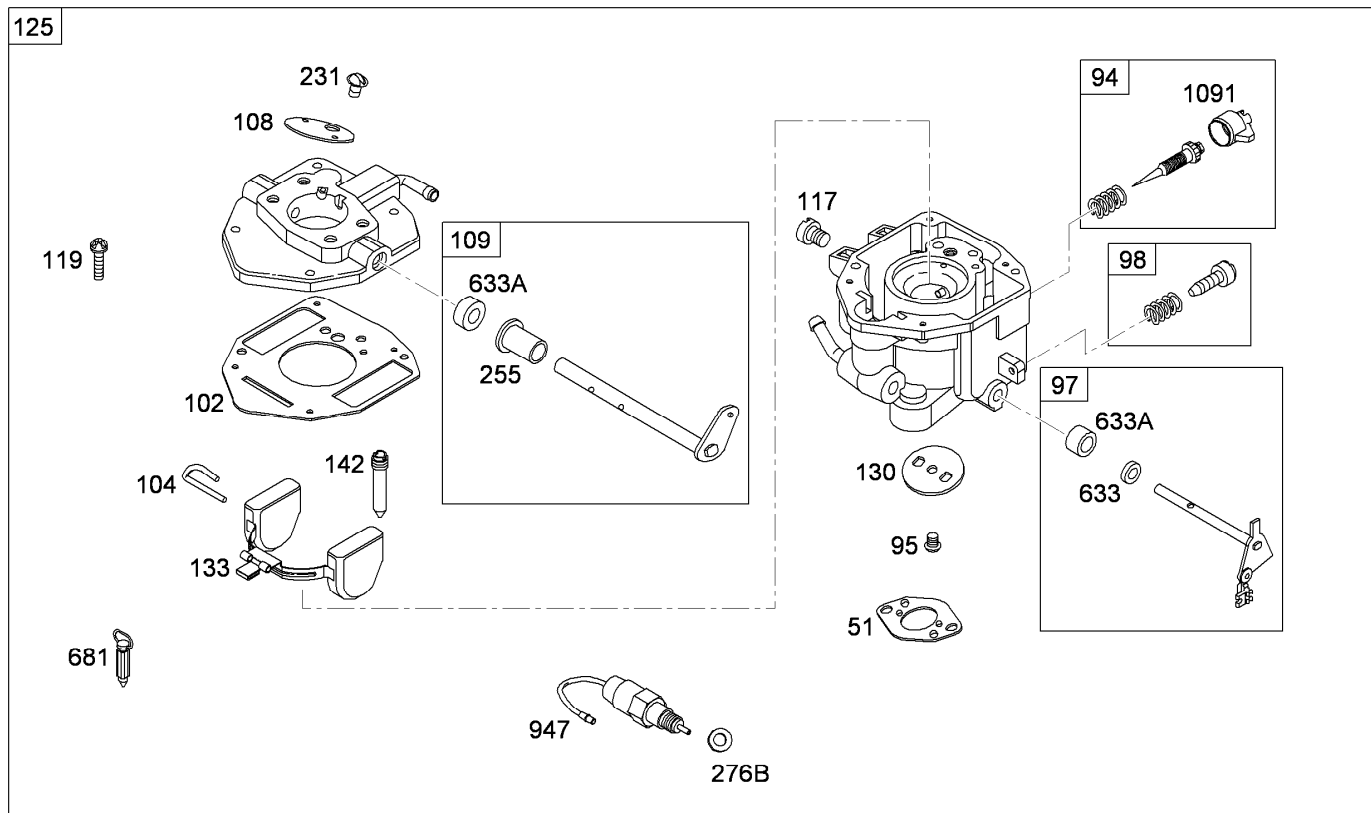
## Fuel Pump, Oil Pump and Dipstick Assembly Briggs and Stratton 356447-0179-E2

Ref.	Part Number	Qty.	Description
39	690745	1	Deflector-Oil ●
187	791766	1	Line-Fuel ●
187A	791744	1	Line-Fuel ●
273	690681	1	Seal-O Ring ●■
287	692062	1	Screw ●
385	807084	1	Screw ●
387	808969	1	Pump-Fuel ●
415	690283	1	Plug-Oil ●
468	690690	1	Seal-O Ring ●■
479	807084	1	Screw ●
523	693175	1	Dipstick ●
524	693172	1	Seal-Tube, Dipstick ●■
525	693174	1	Tube-Dipstick ●
565	690682	1	Stud ●

Ref.	Part Number	Qty.	Description
596	691492	1	Screw ●
601A	691038	1	Clamp-Hose ●
628	692062	1	Screw ●
650	692539	1	Screw ●
737	690679	1	Screw ●
788	691559	1	Bracket-Pump, Fuel ●
816	690706	1	Washer ●
988	692063	1	Gasket-Adapter, Oil Filter ●■
1017	690900	1	Screen-Pump, Oil ●
1024	693185	1	Pump-Oil ●
1027	492932	1	Filter-Oil ●
1028	808235	1	Adapter-Filter, Oil ●

● Obtain parts from [www.briggsandstratton.com](http://www.briggsandstratton.com)

■ Included in Engine Gasket Set (Ref. No. 358)

118  

Assemblies include all parts shown in frames

## Carburetor Assembly

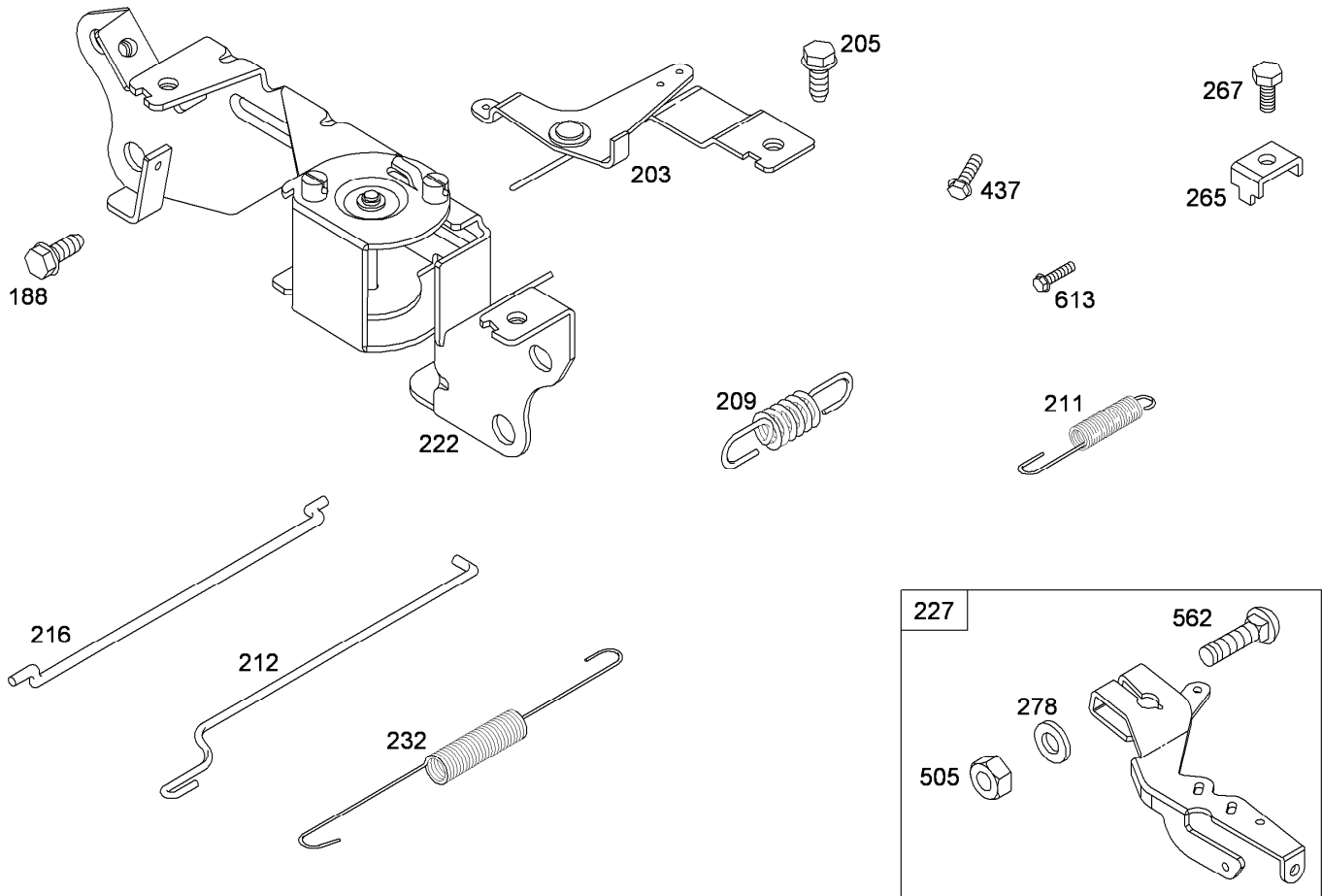
### Briggs and Stratton 356447-0179-E2

Ref.	Part Number	Qty.	Description
51	691694	1	Gasket-Intake ●■
94	808399	1	Idle Mixture Kit ●▲
95	690718	1	Screw ●
97	842734	1	Shaft-Throttle ●
98	808981	1	Idle Speed Kit ●
102	692077	1	Gasket-Body, Carburetor ●▲
104	690723	1	Pin-Hinge, Float ●▲
108	806134	1	Valve-Choke ●
109	808398	1	Shaft-Choke ●
117	806126	1	Jet-Main ●▲
118	809685	1	Jet-Main (High Altitude) ●
119	690720	1	Screw ●
125	842733	1	Carburetor ●
130	806132	1	Valve-Throttle ●
133	806961	1	Float-Carburetor ●
142	806128	1	Nozzle-Carburetor ●
231	690718	1	Screw ●
255	690721	1	Bushing-Shaft, Choke ●▲
276B	806137	1	Washer-Sealing ●■
633	806131	1	Seal-Shaft, Choke Throttle ●▲
633A	690722	1	Seal-Shaft, Choke Throttle ●▲
681	808798	1	Valve-Needle, Float ●▲
947	692094	1	Solenoid-Fuel ●
1091	691516	1	Cap-Limiter ●▲

● Obtain parts from [www.briggsandstratton.com](http://www.briggsandstratton.com)

▲ Included in Carburetor Overhaul Kit (Ref. No. 121)

■ Included in Engine Gasket Set (Ref. No. 358)

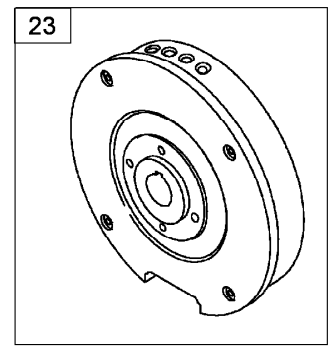
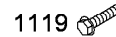
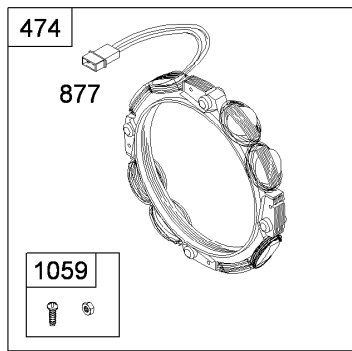
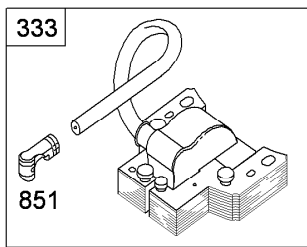


Assemblies include all parts shown in frames

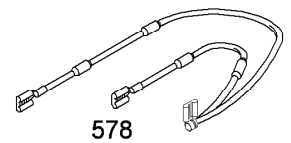
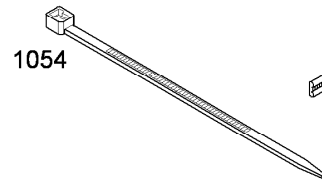
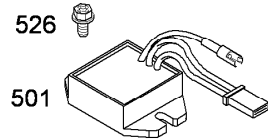
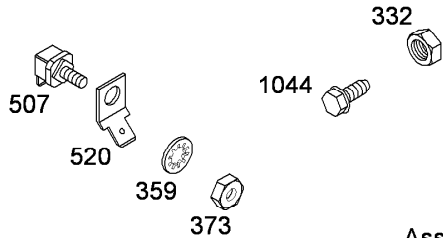
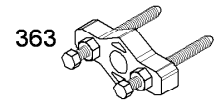
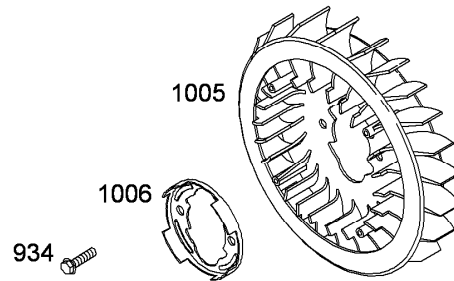
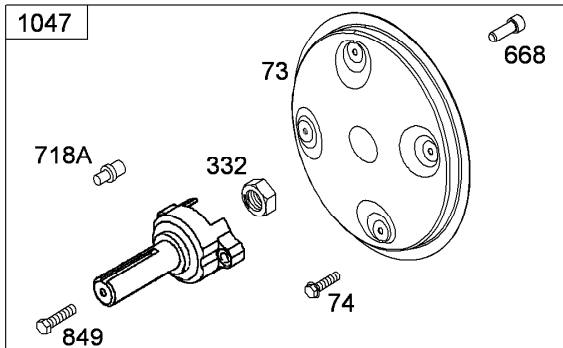
## Governor Assembly Briggs and Stratton 356447-0179-E2

Ref.	Part Number	Qty.	Description
188	692056	1	Screw ●
203	690923	1	Crank-Bell ●
205	692083	1	Screw ●
209	692071	1	Spring-Governor ●
211	692069	1	Spring-Idle, Governed ●
212	690712	1	Link-Throttle ●
216	690705	1	Link-Choke ●
222	808454	1	Bracket-Control ●
227	690236	1	Lever-Control, Governor ●
232	692073	1	Spring-Link, Governor ●
265	691024	1	Clamp-Casing ●
267	692083	1	Screw ●
278	842122	1	Washer ●
437	691902	1	Screw ●
505	690238	1	Nut ●
562	690239	1	Bolt ●
613	691902	1	Screw ●

● Obtain parts from [www.briggsandstratton.com](http://www.briggsandstratton.com)



1036 Emissions Label



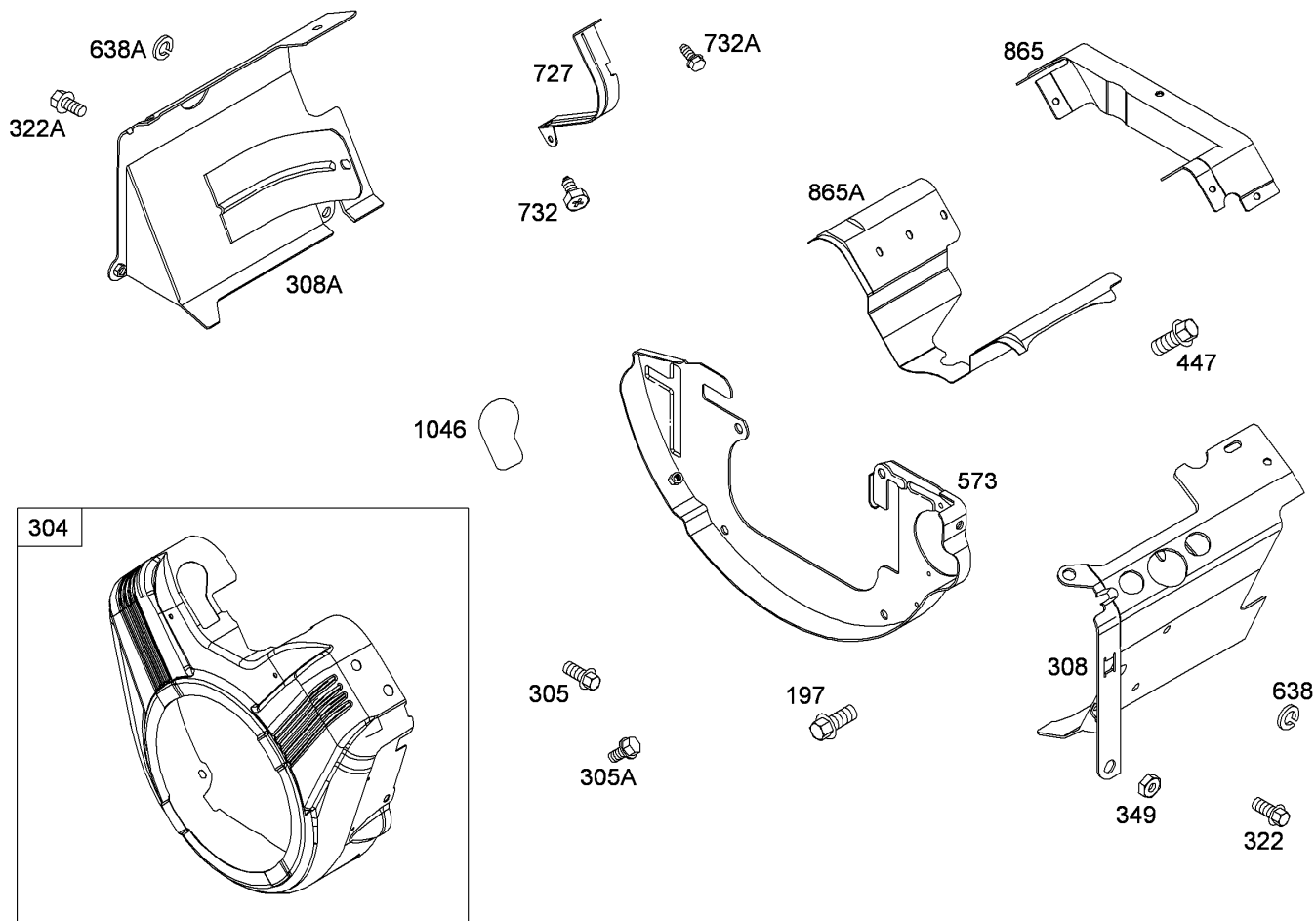
Assemblies include all parts shown in frames

## Flywheel Assembly Briggs and Stratton 356447-0179-E2

Ref.	Part Number	Qty.	Description
23	809236	1	Flywheel ●
73	841582	1	Screen-Rotating ●
74	841441	1	Screw ●
332	690887	1	Nut ●
333	492341	1	Armature-Magneto ●
334	692066	1	Screw ●
359	691077	1	Washer ●
363	19203	1	Puller-Flywheel ●
373	691612	1	Nut ●
474	696458	1	Alternator ●
501	691185	1	Regulator ●
507	691972	1	Insulator ●
520	691084	1	Terminal-Ground ●
526	692067	1	Screw ●
529	690744	1	Grommet ●
578	692319	1	Wire ASM ●

Ref.	Part Number	Qty.	Description
668	691500	1	Spacer ●
718A	841581	1	Pin-Locating ●
729	690586	1	Clip-Wire ●
849	691088	1	Screw (Stub Shaft) ●
851	493880	1	Terminal-Spark Plug ●
877	399916	1	Connector-Wire, Alternator ●
934	691058	1	Screw ●
1005	841439	1	Fan flywheel ●
1006	690452	1	Retainer-Fan ●
1036	842669	1	Label emission ●
1044	692056	1	Screw ●
1047	841580	1	Shaft-Stub ●
1054	280275	1	Tie-Cable ●
1059	698516	1	Screw And Washer Kit ●
1119	691552	1	Screw ●

● Obtain parts from [www.briggsandstratton.com](http://www.briggsandstratton.com)

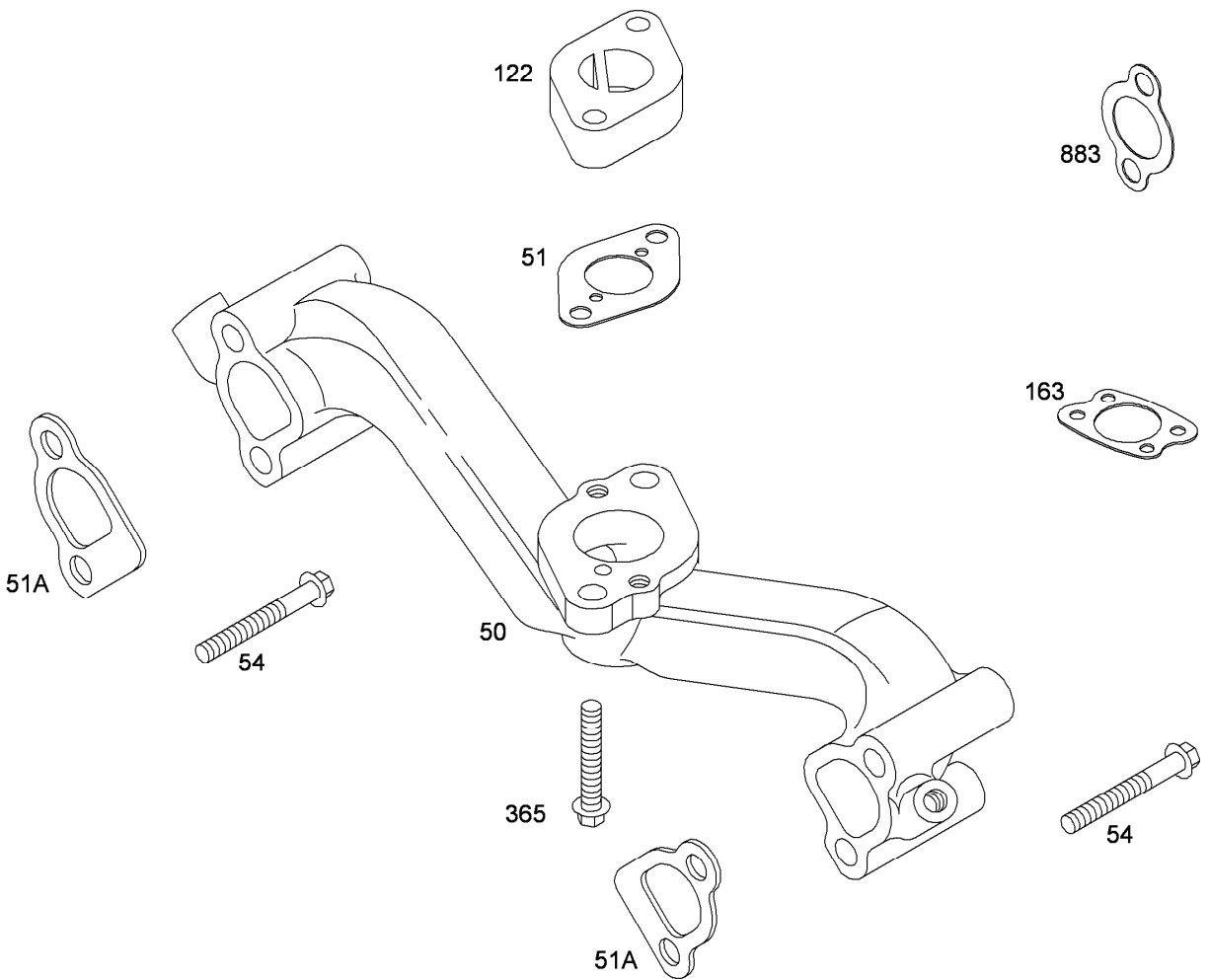


Assemblies include all parts shown in frames

## Blower Housing Assembly Briggs and Stratton 356447-0179-E2

Ref.	Part Number	Qty.	Description
197	807163	1	Screw ●
304	841397	1	Housing blower ●
305	841233	1	Screw ●
305A	692056	1	Screw ●
308	841317	1	Cover-Head, Cylinder (Cylinder 1) ●
308A	841316	1	Cover-Head, Cylinder (Cylinder 2) ●
322	841233	1	Screw ●
322A	692067	1	Screw ●
349	690238	1	Nut ●
447	841233	1	Screw ●
573	841310	1	Plate back ●
638	690706	1	Washer ●
638A	691551	1	Washer ●
727	841313	1	Cover drive, Starter ●
732	690688	1	Screw ●
732A	841233	1	Screw ●
865	841319	1	Cover-Guide, Air ●
865A	807119	1	Cover-Guide, Air ●
1046	692082	1	Plug-Housing, Blower ●

● Obtain parts from [www.briggsandstratton.com](http://www.briggsandstratton.com)

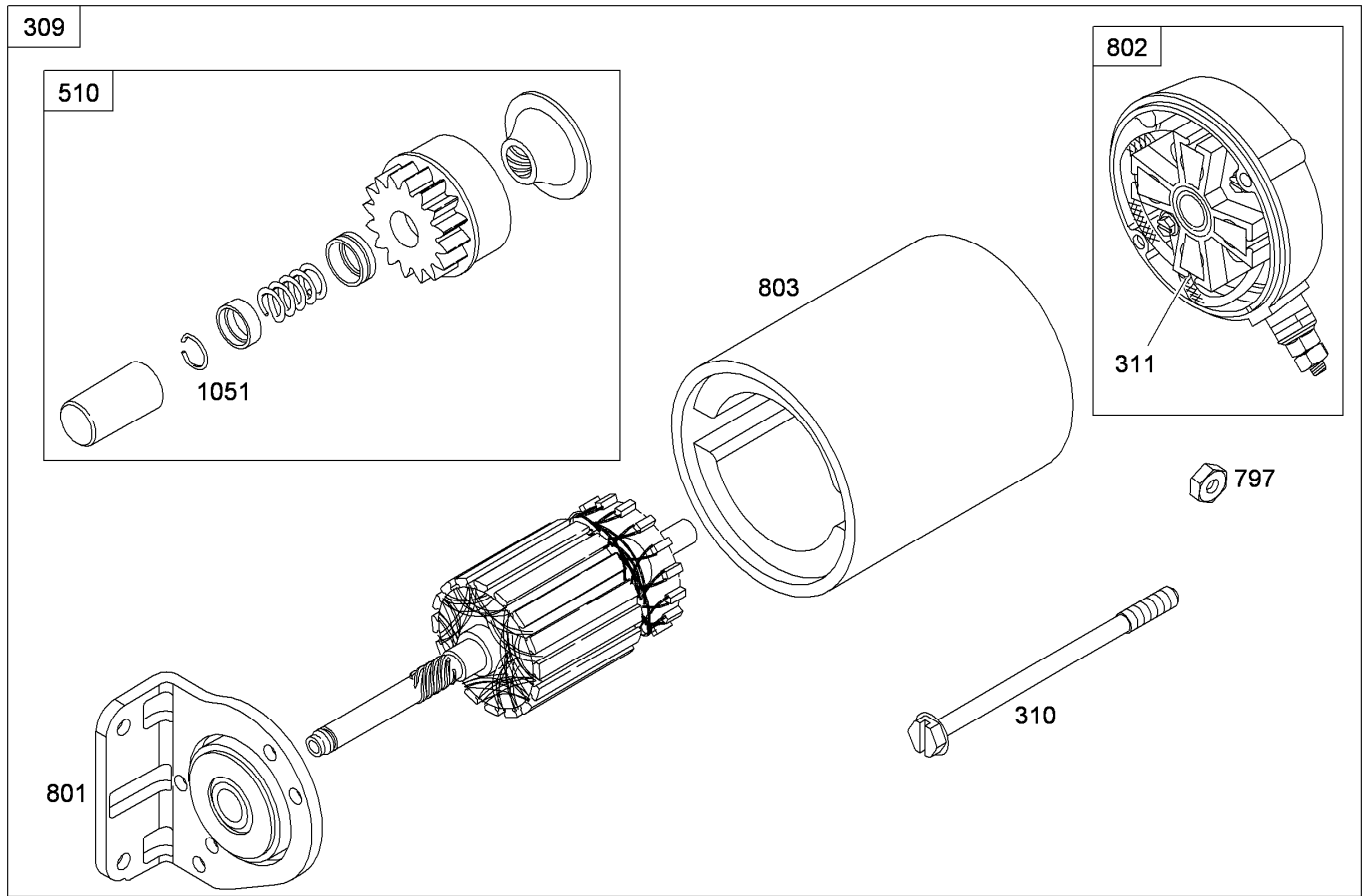


## Intake Manifold Assembly Briggs and Stratton 356447-0179-E2

Ref.	Part Number	Qty.	Description
50	690754	1	Manifold-Intake ●
51	691694	1	Gasket-Intake ●■
51A	692035	1	Gasket-Intake ●■▲
54	690676	1	Screw ●
122	690691	1	Spacer-Carburetor ●
163	692081	1	Gasket-Cleaner, Air ●
365	690711	1	Screw ●
883	691613	1	Gasket-Exhaust ●■▲

● Obtain parts from [www.briggsandstratton.com](http://www.briggsandstratton.com)  
▲ Included in Valve Gasket Set (Ref. No. 1095)

■ Included in Engine Gasket Set (Ref. No. 358)



Assemblies include all parts shown in frames

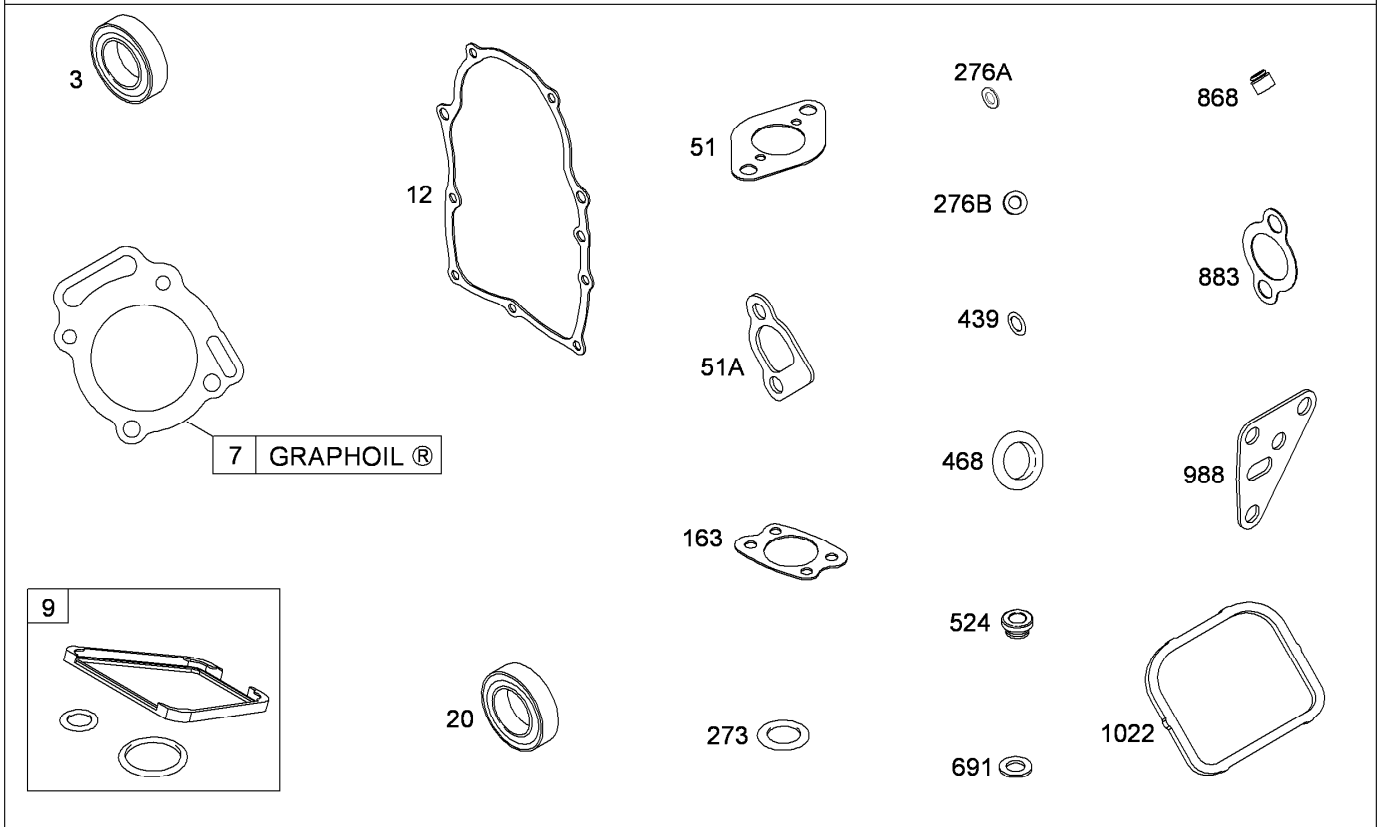
## Starter Assembly Briggs and Stratton 356447-0179-E2

<i>Ref.</i>	<i>Part Number</i>	<i>Qty.</i>	<i>Description</i>
309	691564	1	Motor-Starter ●
310	496880	1	Bolt-Thru ●
311	496887	1	Brush Set ●
510	496881	1	Drive-Starter ●
697	692062	1	Screw ●
797	691029	1	Nut ●
801	808778	1	Cap-Drive ●
802	496813	1	Cap-End ●
803	690854	1	Housing-Starter ●
1051	691124	1	Ring-Lock ●

● Obtain parts from [www.briggsandstratton.com](http://www.briggsandstratton.com)



358 Engine Gasket Set



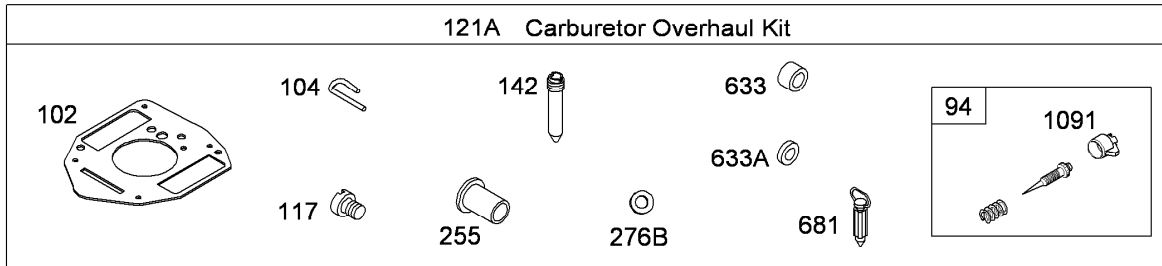
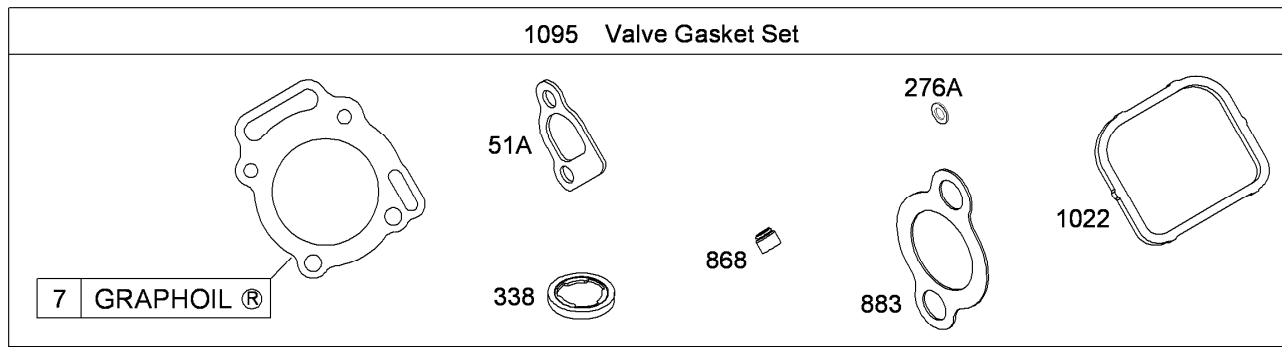
Assemblies include all parts shown in frames

## 358 Engine Gasket Set Briggs and Stratton 356447-0179-E2

Ref.	Part Number	Qty.	Description
3	805101	1	Seal-Oil ●
7	690888	1	Gasket-Head, Cylinder ●■
9	809094	1	Gasket-Breather ●
12	842589	1	Gasket-Crankcase ●
20	805049	1	Seal-Oil ●
51	691694	1	Gasket-Intake ●
51A	692035	1	Gasket-Intake ●■
163	692081	1	Gasket-Cleaner, Air ●
273	690681	1	Seal-O Ring ●
276A	807085	1	Washer-Sealing ●
276B	806137	1	Washer-Sealing ●
358	841188	1	Engine Gasket Set ●
439	692154	1	Seal-O Ring ●
468	690690	1	Seal-O Ring ●
524	693172	1	Seal-Tube, Dipstick ●
691	690680	1	Seal-Shaft, Governor ●
868	691963	1	Seal-Valve ●■
883	691613	1	Gasket-Exhaust ●■
988	692063	1	Gasket-Adapter, Oil Filter ●
1022	806039	1	Gasket-Cover, Rocker ●■

● Obtain parts from [www.briggsandstratton.com](http://www.briggsandstratton.com)

■ Included in Valve Gasket Set (Ref. No. 1095)



Assemblies include all parts shown in frames

## 1095 Valve Gasket Set and 121A Carburetor Overhaul Kit Briggs and Stratton 356447-0179-E2

Ref.	Part Number	Qty.	Description
7	690888	1	Gasket-Head, Cylinder ●■
51A	692035	1	Gasket-Intake ●■
94	808399	1	Idle Mixture Kit ●
102	692077	1	Gasket-Body, Carburetor ●
104	690723	1	Pin-Hinge, Float ●
117	806126	1	Jet-Main ●
121A	809024	1	Carburetor Overhaul Kit ●
142	806128	1	Nozzle-Carburetor ●
255	690721	1	Bushing-Shaft, Choke ●
276A	807085	1	Washer-Sealing ●■
276B	806137	1	Washer-Sealing ●■
338	691312	1	Seal-O Ring ●■
633	806131	1	Seal-Shaft, Choke Throttle ●
633A	690722	1	Seal-Shaft, Choke Throttle ●
681	808798	1	Valve-Needle, Float ●
868	691963	1	Seal-Valve ●■
883	691613	1	Gasket-Exhaust ●■
1022	806039	1	Gasket-Cover, Rocker ●■
1091	691516	1	Cap-Limiter ●
1095	841191	1	Valve Gasket Set ●

● Obtain parts from [www.briggsandstratton.com](http://www.briggsandstratton.com)

■ Included in Engine Gasket Set (Ref. No. 358)

# Attachments and Accessories

## For 08705 Sand Pro 5040 Traction Unit

<b>Product Name</b>	<b>Model/Part</b>
Front Lift Frame .....	08712
Manual Blade.....	08714
Midmount Toolbar System .....	08731
Tooth Rake .....	08751
Spring Rake.....	08752
Rear Broom .....	08753
Finish Grader.....	08754
Spiker .....	08755
Drag Mat Carrier System .....	08756
Debris Blower .....	08759
QAS Utility Box .....	08760
QAS Nail Drag.....	08761
QAS Bunker Pump .....	08765
Rear Remote Hydraulic Kit .....	08781
Front Remote Hydraulics .....	08782
Screen-Spark Arrestor.....	104-6540
Yellow Hydraulic Cap.....	107-1576
Red Gas Cap.....	107-2173
Light Kit.....	110-1314
Speed Limiter Kit .....	110-1371
Draw Bar Hitch Assembly .....	110-1375
Smooth Wheel and Tire ASM.....	112-0034
Drag Mat Assembly .....	112-1424
Variable Orifice Kit .....	112-1433
Carbide Tine Pack .....	119-2152
MVP Filter Kit.....	30035
Wheel and Tire Assembly .....	94-6126



**Count on it.**