



Count on it.

Parts Catalog

**Sand Pro[®]/Infield Pro[®] 5040
Traction Unit**

Model No. 08705—Serial No. 280000801 and Up



Ordering Replacement Parts

To order replacement parts, please supply the part number, the quantity, and the description of each part desired.

Understanding Reference Numbers

Each identified part in an illustration has a reference number. The reference number for a part also appears in the parts list, along with other information about the part.

This catalog uses two special reference number formats, one to indicate parts in a service assembly and another to indicate the quantity of a given part in an illustration.

Service Assembly Reference Numbers

Parts in service assemblies have reference numbers in the form a:b. The a represents the reference number of the entire service assembly and the b represents a sequential number unique to each part within the service assembly.

For example, a wheel assembly might be identified by reference number 6, the tire by 6:1, the valve by 6:2, and the wheel by 6:3. When you order the assembly identified by reference number 6, you receive all parts identified by reference numbers 6:1, 6:2, and 6:3. However, you may also order any part individually. Reference numbers of this type appear in illustration and in parts lists.

Reference Numbers Indicating Quantity

In an illustration, if a reference number indicates more than one part, the reference number has the form nX y. The n represents the quantity of the part, the X is the multiplication symbol, and the y represents the reference number.

For example, in an illustration, the reference number 2X 37 means that two of the parts identified by reference number 37 are indicated.

List of Abbreviations

AR: as required

ASM: assembly

BBC: blade brake control

BHTF: button head thread forming

CARR: carriage

CCW: counter clockwise

CW: clockwise

DEG: degrees

DPA: Dual Point Adjustment

ECM: electronic control module

EXT: external

FH: flat head

GA: gauge

HD: heavy-duty

HF: hex flange

HH: hex head

HHF: hex head flange

HHFTF: hex head flange thread forming

HJ: hex jam

HLH: hex lag head

HOC: height-of-cut

HSBH: hex socket button head

HSFH: hex socket flat head

HSH: hex socket head

HWH: hex washer head

HWTF: hex washer head thread forming

HYD: hydraulic

LH: left hand

LPG: Liquid Propane Gas

NI: nylon insert

NPTF: national pipe thread fine

PFH: phillips flat head

PPH: phillips pan head

PPHTF: phillips pan head thread forming

PRH: phillips round head

PTH: phillips truss head

PTO: power-take-off

RH: right hand

ROPS: roll-over protection system

RRB: rear roller brush

SFH: slotted fillister head

SHH: slotted hex head

SHWH: slotted hex washer head

SPH: slotted pan head

SQH: square head

SRH: slotted round head

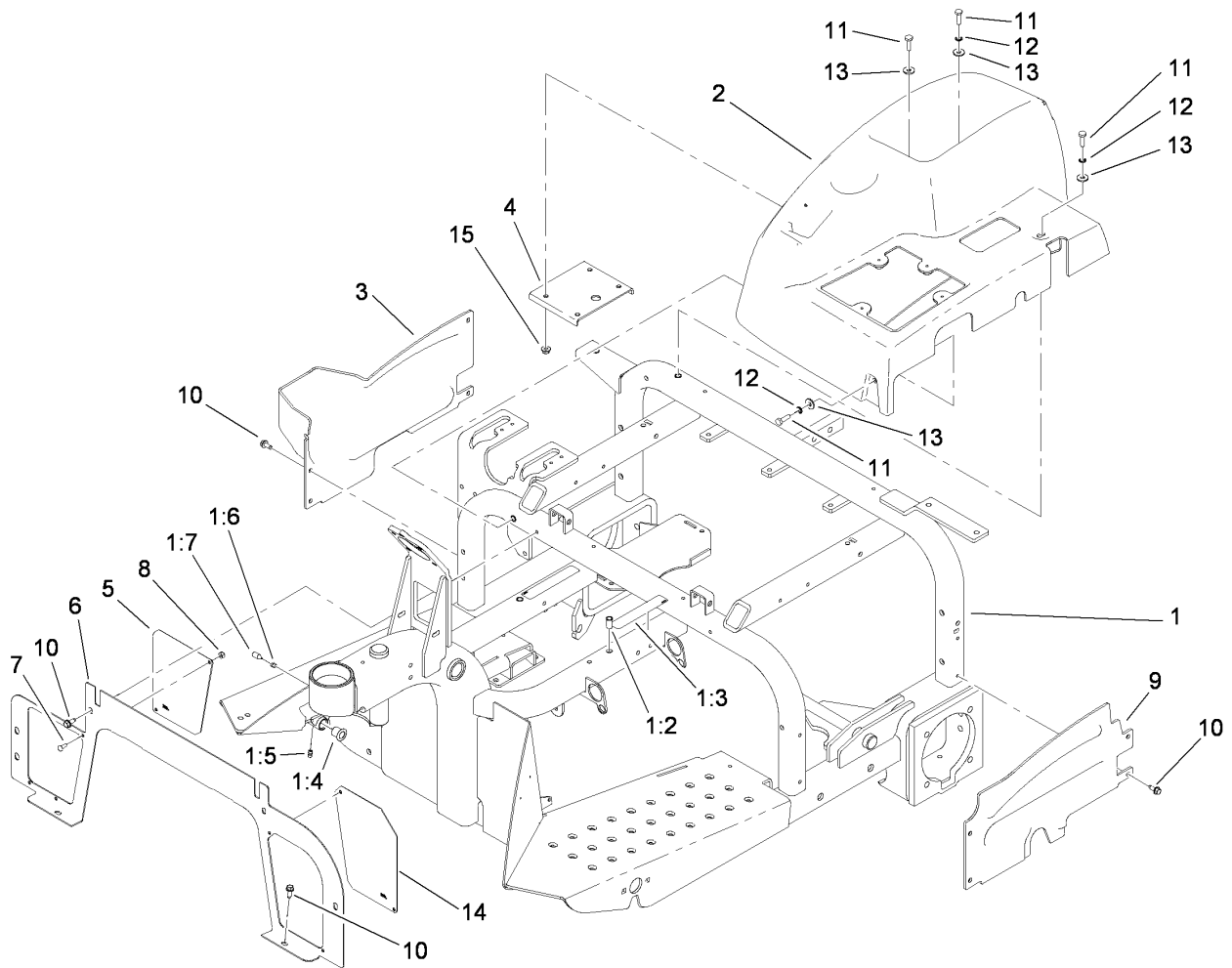
STD: standard

TAP: self tapping

TTH: torx truss head

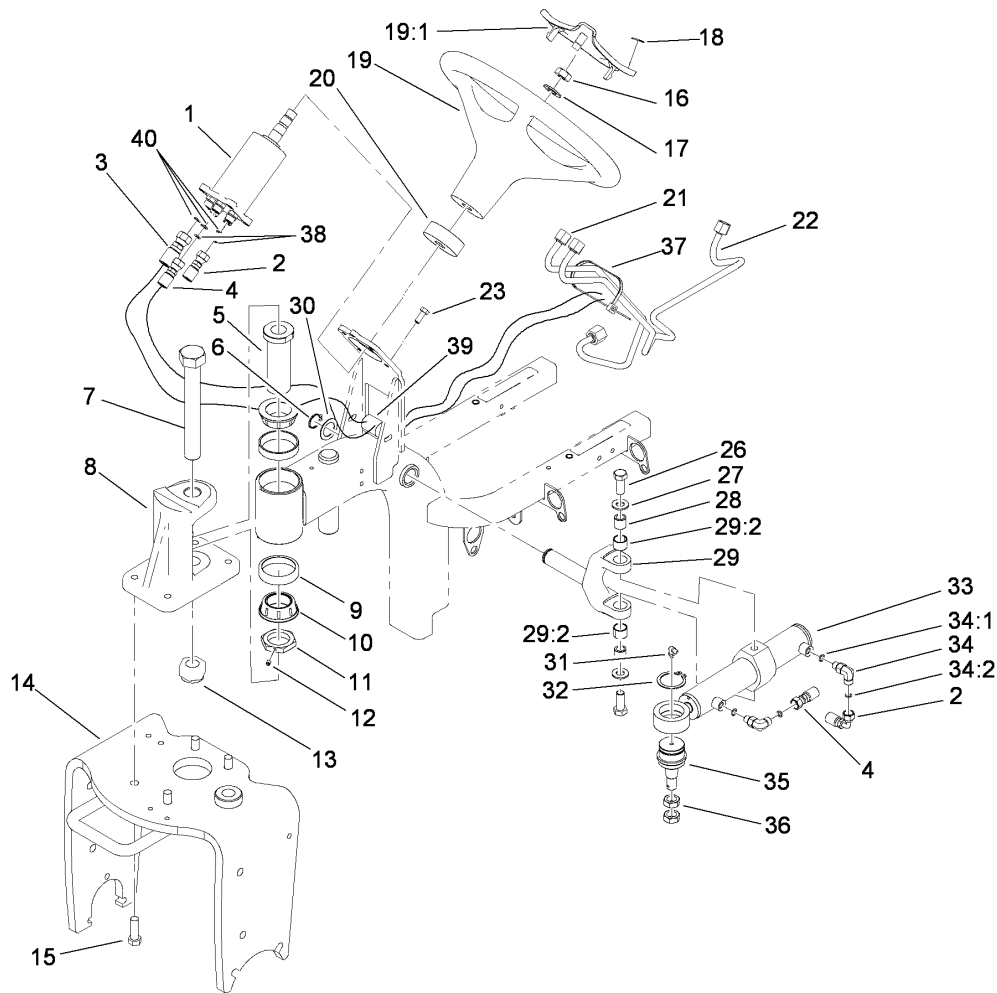
Contents

Frame and Console Assembly	4
Steering Assembly	5
Steering Valve Assembly No. 108-2924	6
Hydraulic Cylinder Assembly No. 114-0620	7
Fuel Tank and Battery Assembly	8
Front Wheel Assembly	9
Hydraulic Motor Assembly No. 108-2948	11
Rear Wheel Assembly	12
Hydraulic Motor Assembly No. 108-2949	13
Hydraulic Motor Assembly No. 108-2947	14
Traction Pedal Assembly	15
Pump Control Lever Assembly	16
Engine Installation Assembly	17
Pump and Coupling Assembly	18
Variable Piston Pump Assembly No. 114-0612	19
Hydraulic Tank, Filter and Cooler Assembly	21
Lift Valve and Rear Tube Assembly	22
Valve Assembly No. 43-1710	23
Seat and Shroud Assembly	24
Wire Harness, Air Cleaner and Hose Assembly	25
Air Cleaner Assembly No. 93-2190	26
Rear Hitch Assembly	27
Hydraulic Cylinder Assembly No. 110-1338	28
Cylinder Assembly Briggs and Stratton 356447-0179-E1	29
Crankcase Assembly Briggs and Stratton 356447-0179-E1	30
Crankshaft Assembly Briggs and Stratton 356447-0179-E1	31
Cylinder Head Assembly Briggs and Stratton 356447-0179-E1	32
Oil Filter, Tube and Pump Assembly Briggs and Stratton 356447-0179-E1	33
Carburetor Assembly Briggs and Stratton 356447-0179-E1	34
Governor Assembly Briggs and Stratton 356447-0179-E1	35
Flywheel Assembly Briggs and Stratton 356447-0179-E1	36
Blower Housing Assembly Briggs and Stratton 356447-0179-E1	37
Starter Assembly Briggs and Stratton 356447-0179-E1	38
358 Engine Gasket Set Briggs and Stratton 356447-0179-E1	39
1095 Valve Gasket Set and 121A Carburetor Overhaul Kit Briggs and Stratton 356447-0179-E1	40
Attachments and Accessories	41



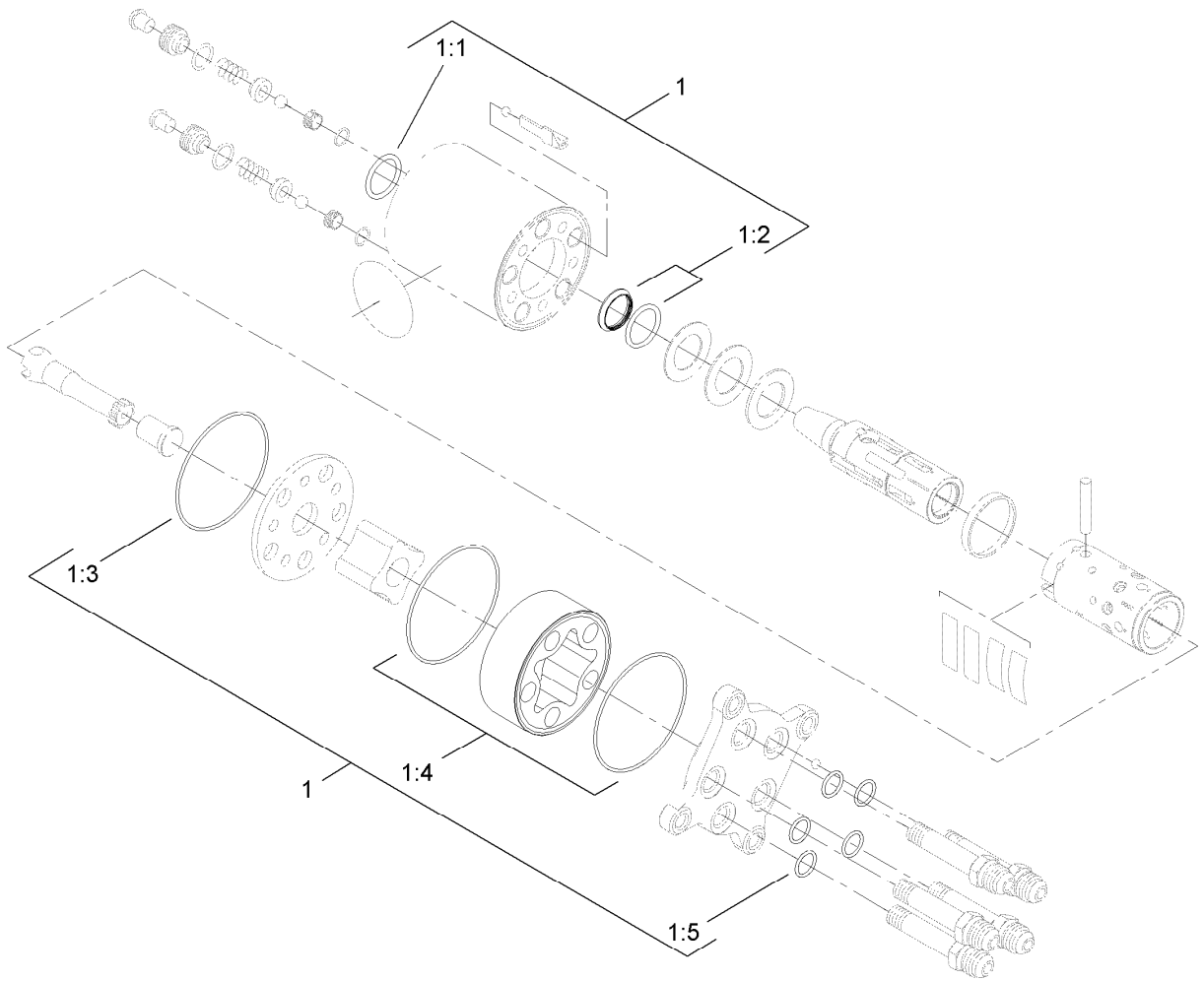
Frame and Console Assembly

<i>Ref.</i>	<i>Part Number</i>	<i>Qty.</i>	<i>Description</i>
1	110-3367	1	Frame ASM
1:2	32148-11	5	Insert-Threaded
1:3	93-7272	2	Decal-Warning
1:4	256-219	2	Bushing
1:5	302-58	1	Fitting-Straight
1:6	107-1997	1	Fitting-Grease
1:7	107-1998	1	Nozzle-Grease
2	108-2936	1	Console
3	108-6855	1	Shroud-Wheel, RH
4	108-7995-03	1	Plate-Support, Console
5	108-6854-01	1	Screen-Shroud
6	112-1443-01	1	Panel-Front
7	3290-321	4	Screw-HWH
8	3296-2	4	Nut-Lock, NI
9	108-6856	1	Shroud-Wheel, LH
10	32144-10	12	Screw-HWH
11	321-5	7	Screw-HH
12	3254-8	3	Washer-Lock
13	3256-78	7	Washer-Flat
14	108-7907-01	1	Screen-Panel, LH
15	32128-33	4	Nut-HF



Steering Assembly

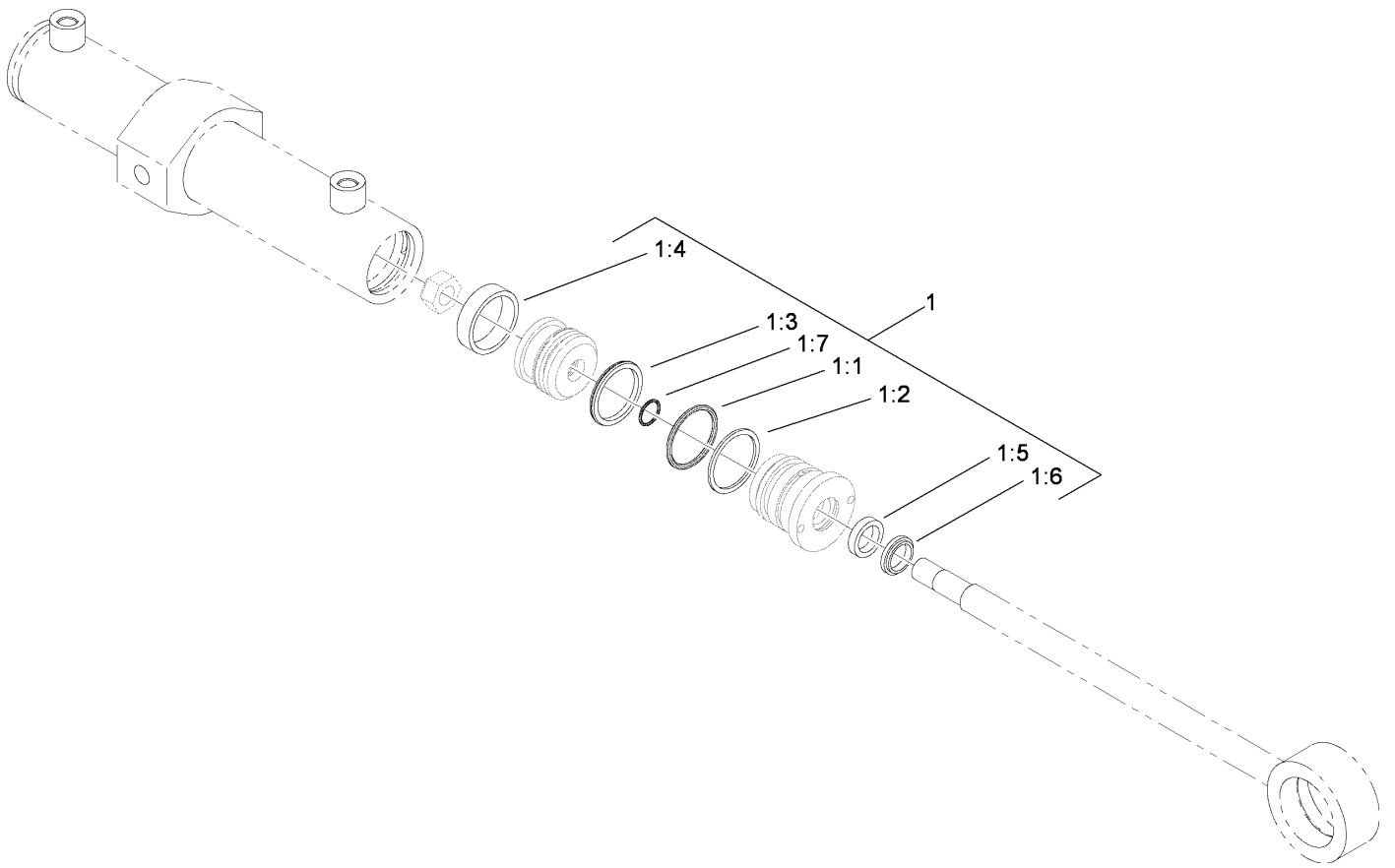
<i>Ref.</i>	<i>Part Number</i>	<i>Qty.</i>	<i>Description</i>	<i>Ref.</i>	<i>Part Number</i>	<i>Qty.</i>	<i>Description</i>
1	108-2924	1	Valve-Steering	21	108-8414	1	Tube ASM
2	105-4347	1	HYD Hose ASM	22	108-8415	1	Tube ASM
3	93-5385	1	Hose ASM	23	33114-020	4	Screw-HH
4	108-6508	1	HYD Hose ASM	26	94-7976	2	Screw-HH
5	108-8470	1	Sleeve-Steering	27	3256-26	2	Washer-Flat
6	32151-36	1	Ring-Retaining	28	108-8483	2	Spacer-Plain
7	3216-16	1	Screw-HH	29	108-8481	1	Yoke And Bushing ASM
8	108-5431	1	Pivot-Steering	29:2	108-8482	2	Bushing-Sleeve
9	107-7590	2	Cup-Bearing	30	3256-42	1	Washer-Flat
10	107-7589	2	Cone-Bearing (W/ Seal)	31	302-40	1	Fitting-Grease
11	108-8471	1	Nut-Steering	32	32151-104	1	Ring-Retaining, External
12	3245-1	1	Screw-Set, HSH	33	114-0620	1	Hydraulic Cylinder ASM
13	104-2024	1	Nut-Hex, NI	34	340-132	2	Fitting-HYD, 90 DEG
14	108-0573-01	1	Castor Fork ASM	34:1	237-78	1	O-Ring
15	325-6	4	Screw-HH	34:2	237-21	1	O-Ring
16	3296-33	1	Nut-Lock, NI	35	106-6774	1	Joint-Ball
17	3256-27	1	Washer-Flat	36	3220-6	2	Nut-Jam
18	98-1459	1	Decal	37	3290-379	1	Tie-Cable
19	98-1471	1	Wheel-Steering	38	237-21	2	O-Ring
19:1	98-1468	1	Cover-Wheel, Steering	39	38-3400	2	Guard-Rubber
20	108-7998	1	Collar-Foam	40	237-22	3	O-Ring



Steering Valve Assembly No. 108-2924

<i>Ref.</i>	<i>Part Number</i>	<i>Qty.</i>	<i>Description</i>
1	106-6716	1	Seal Kit
1:1		1	Ring-Seal, Dust ●
1:2		1	Seal-Shaft ●
1:3		1	O-Ring ●
1:4		2	O-Ring ●
1:5		5	O-Ring ●

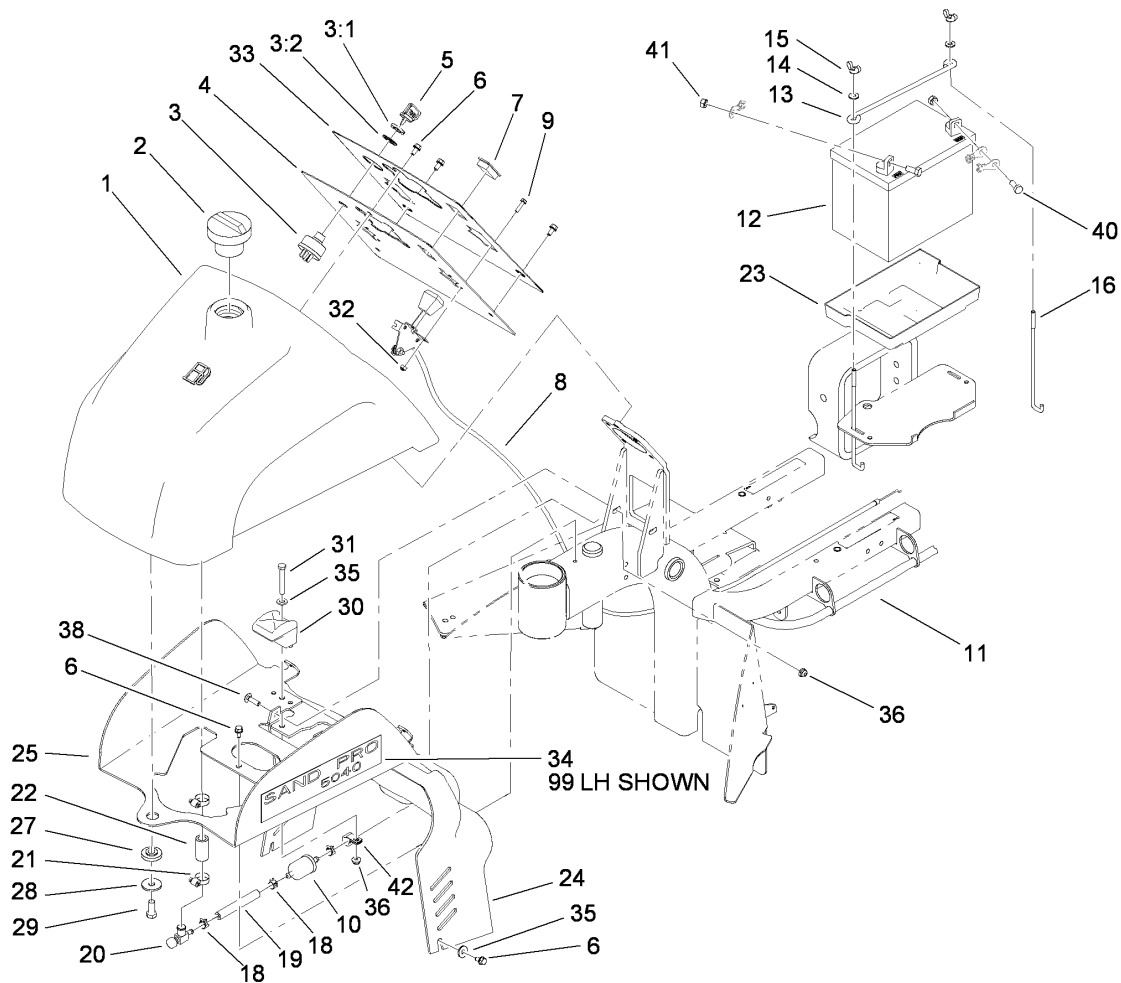
● Not serviced separately



Hydraulic Cylinder Assembly No. 114-0620

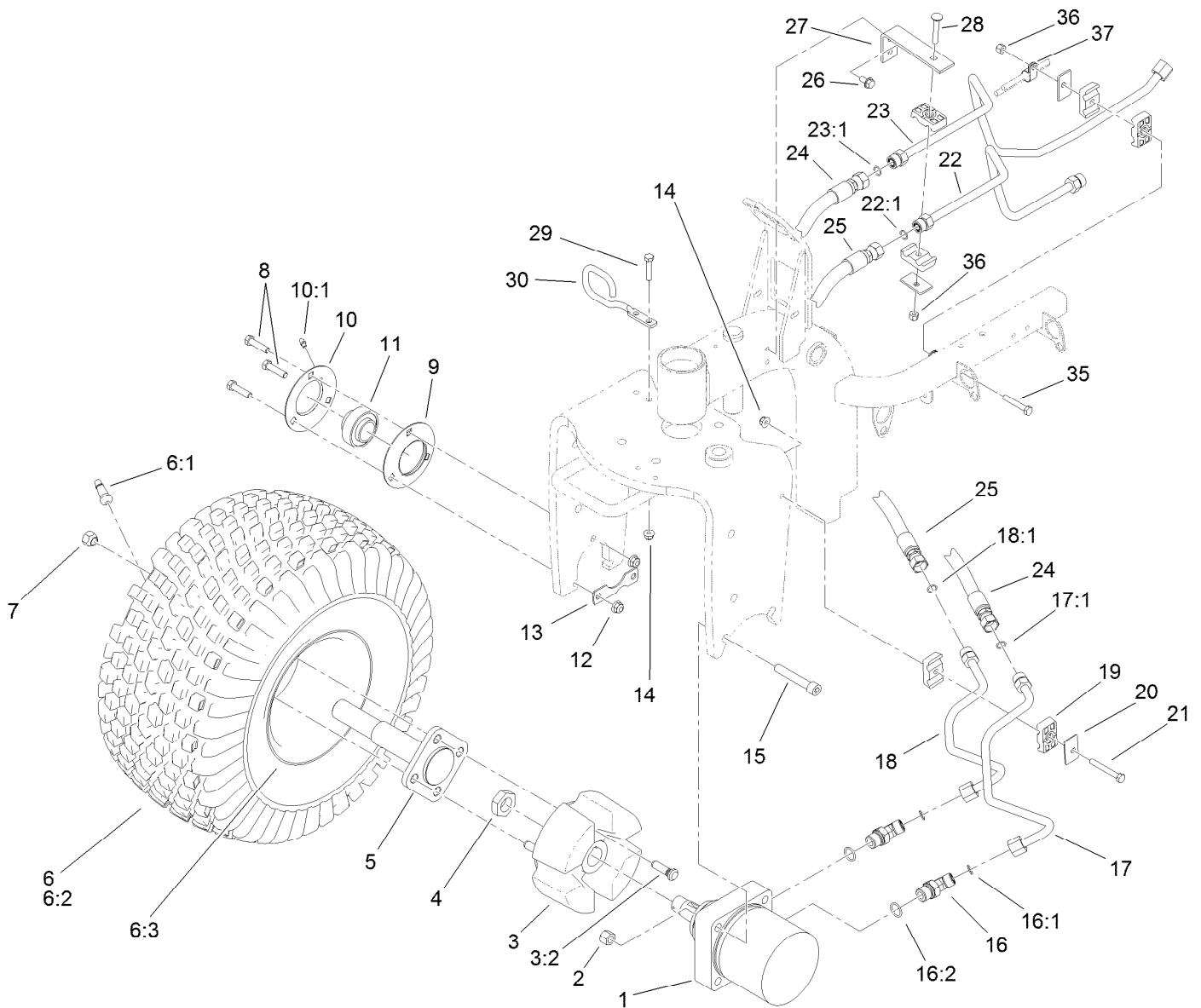
<i>Ref.</i>	<i>Part Number</i>	<i>Qty.</i>	<i>Description</i>
1	114-0622	1	Seal Kit
1:1		1	O-Ring ●
1:2		1	Backup ●
1:3		1	Seal-Bp ●
1:4		1	Wear Ring ●
1:5		1	Bs Seal ●
1:6		1	Dust Seal ●
1:7		1	O-Ring ●

● Not serviced separately



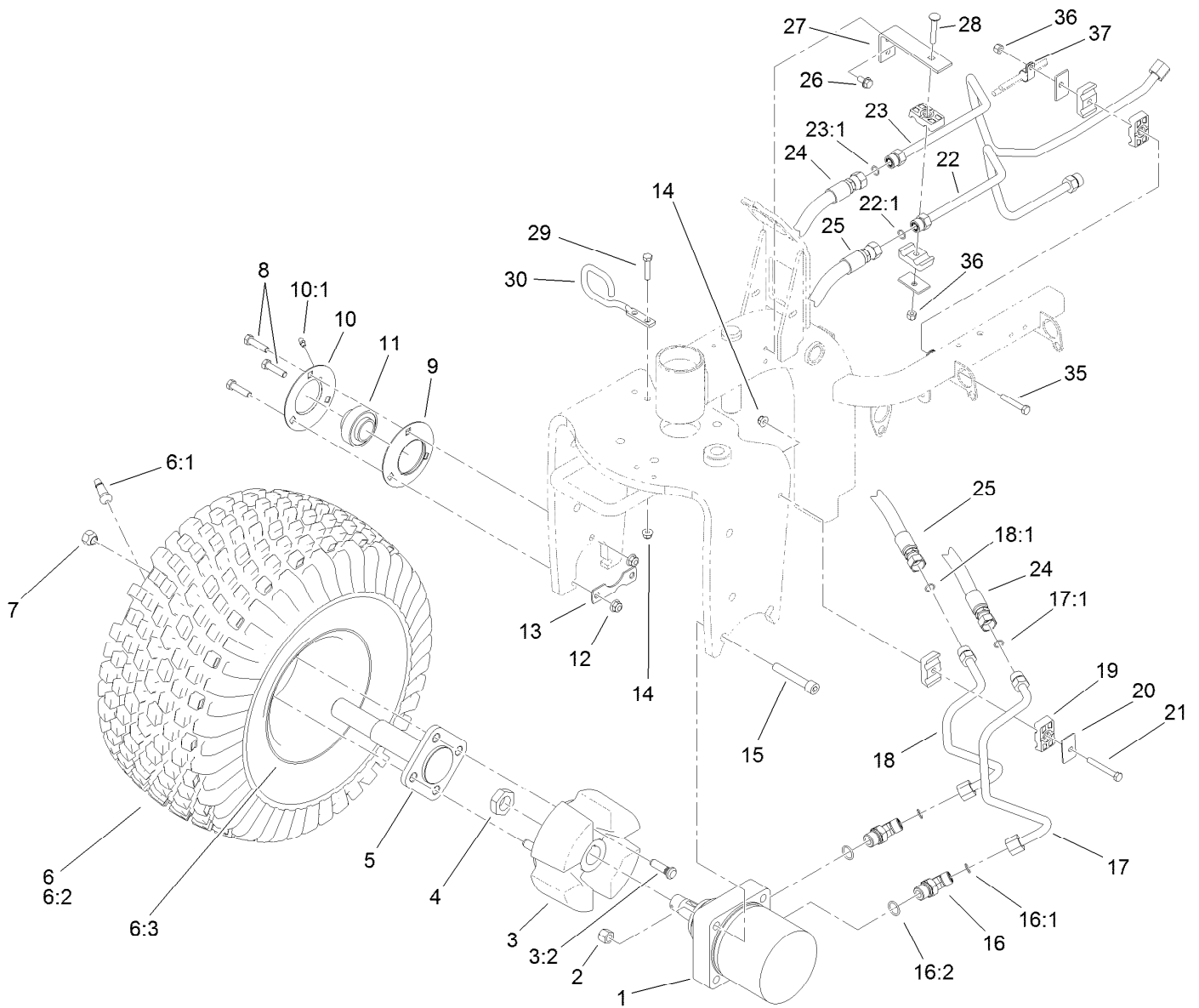
Fuel Tank and Battery Assembly

Ref.	Part Number	Qty.	Description	Ref.	Part Number	Qty.	Description
1	108-2938	1	Tank-Fuel	21	2412-36	2	Clamp-Hose
2	93-7170	1	Cap-Fuel	22	110-3371	1	Hose-Fuel
3	83-0020	1	Switch-Ignition	23	106948	1	Tray-Battery
3:1	218-461	1	Nut-HH	24	108-6898	1	Shroud-Dash
3:2	3254-5	1	Washer-Tooth, Internal	25	108-6895-01	1	Bracket-Mount, Tank
4	108-6896-03	1	Panel-Dash	27	240-11	1	Bushing-Flange
5	63-8360	2	Key-Ignition (W/Shield)	28	63-8410	1	Washer
6	32144-10	6	Screw-HWH	29	323-5	1	Screw-HH
7	99-7420	1	Plug-Hole	30	107-4543	2	Clamp
8	108-7946	2	Cable ASM	31	321-18	2	Screw-HH
9	3290-321	4	Screw-HWH	32	3296-2	4	Nut-Lock, NI
10	94-2690	1	Filter-Fuel	33	108-8487	1	Decal-Dash
11	110-3372	1	Hose-Fuel	34	108-8419	2	Decal
12	104-8162	1	Battery	35	3256-78	4	Washer-Flat
13	100-6434	1	Rod-Hold Down, Battery	36	104-7201	4	Nut-HF
14	3256-22	2	Washer-Flat	38	3229-1	2	Bolt-CARR
15	32103-22	2	Nut-Wing	40	322-3	2	Screw-HH
16	100-6435	2	Post-Battery	41	3217-6	2	Nut-Hex
18	2412-98	4	Clamp-Hose	42	2412-73	1	Clamp-R
19	109-0660	1	Hose-Fuel	99	115-2080	1	Decal-LH
20	83-1390	1	Valve-Shut-Off, Fuel	99	115-2082	1	Decal-RH



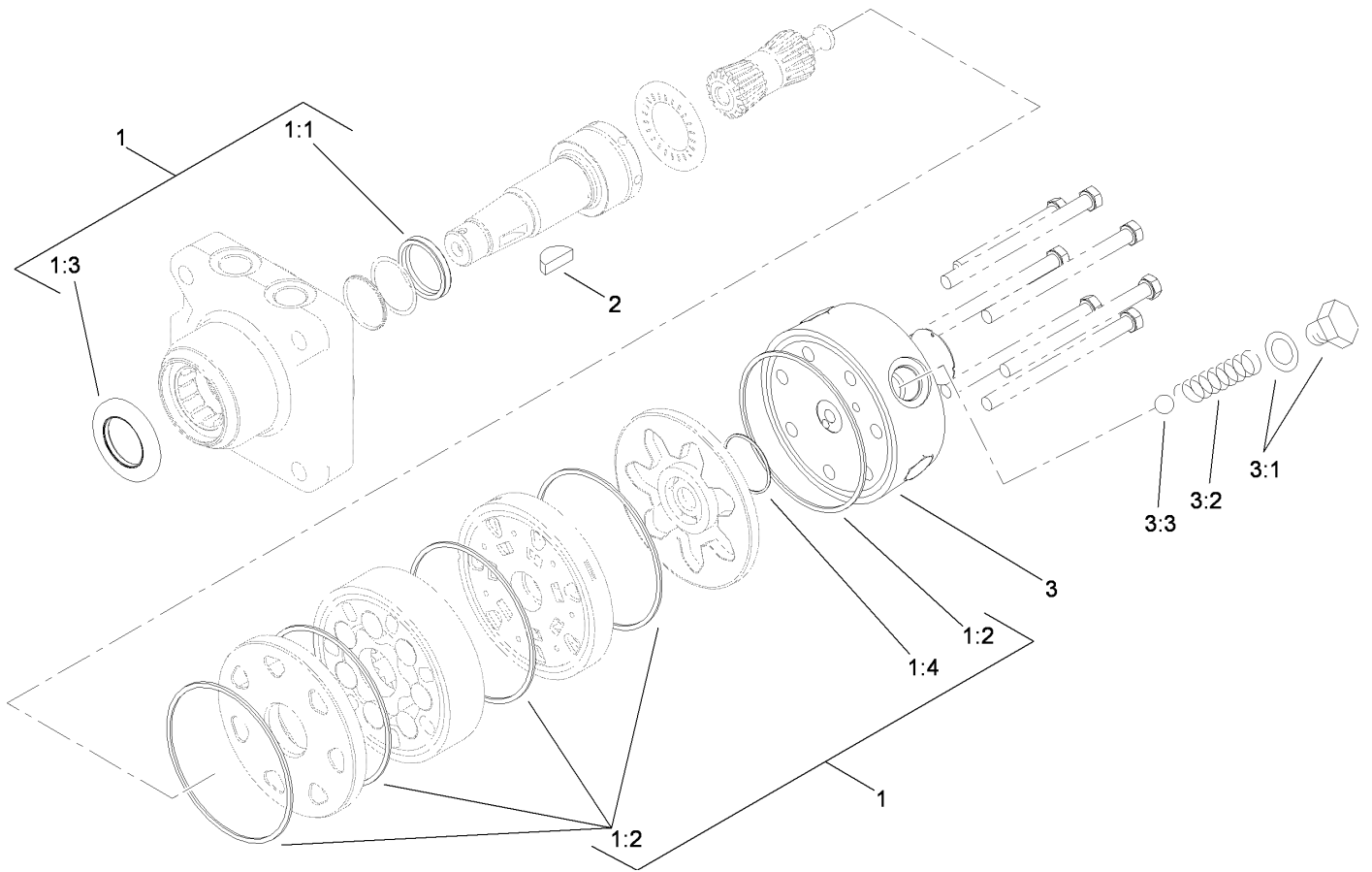
Front Wheel Assembly

Ref.	Part Number	Qty.	Description	Ref.	Part Number	Qty.	Description
1	108-2948	1	HYD Motor ASM (CW)	16:1	237-30	1	O-Ring
2	3296-23	2	Nut-Lock, NI	16:2	237-80	1	O-Ring
3	110-6310	1	Front Wheel Hub ASM	17	108-8432	1	Tube ASM
3:2	10-6830	4	Stud-Type, Drive	17:1	237-30	1	O-Ring
4	26-3790	1	Nut-Lock	18	108-8431	1	Tube ASM
5	110-6314	1	Spindle	18:1	237-30	1	O-Ring
6	95-0621	1	Wheel And Tire ASM	19	56-7976	6	Clamp-Tube
6:1	232-35	1	Valve Stem And Cap ASM	20	69-9760	3	Coverplate
6:2	85-8290	1	Tire-2Ply, Knobby	21	322-12	1	Screw-HH
6:3	94-6116	1	Wheel-Rear	22	108-8411	1	Tube ASM
7	242-50	4	Nut-Lug	22:1	237-30	2	O-Ring
8	323-8	3	Screw-HH	23	108-8409	1	Tube ASM
9	85-8950	1	Flangette-Standard	23:1	237-30	1	O-Ring
10	85-8940	1	Flangette-Relube	24	108-8433	1	HYD Hose ASM
10:1	302-5	1	Fitting-Grease	25	110-6303	1	HYD Hose ASM
11	251-352	1	Bearing	26	32144-14	2	Screw-HWHTF
12	104-8301	3	Nut-Flange, NI	27	108-8455-01	1	Bracket-Clamp
13	88-8350	1	Tab-Bearing	28	3230-6	1	Screw-CARR
14	104-8300	3	Nut-Flange, NI	29	322-7	2	Screw-HH
15	3274-74	2	Screw-HSH	30	108-8435	1	Guide-Hose
16	340-89	2	Fitting-HYD, 45 DEG	35	322-10	1	Screw-HH



Front Wheel Assembly (continued)

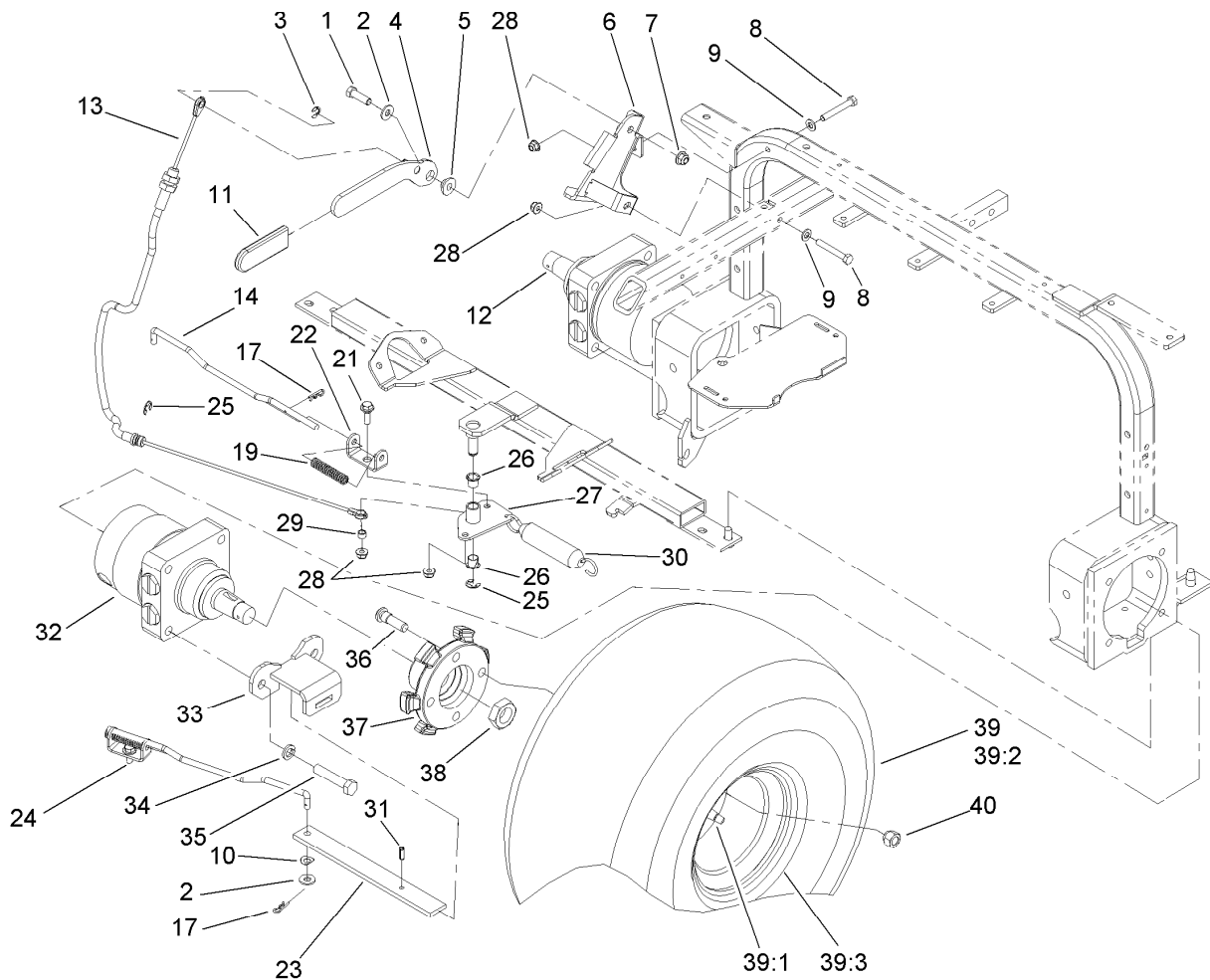
<i>Ref.</i>	<i>Part Number</i>	<i>Qty.</i>	<i>Description</i>
36	3296-29	2	Nut-Lock, NI
37	2412-41	1	Clamp



Hydraulic Motor Assembly No. 108-2948

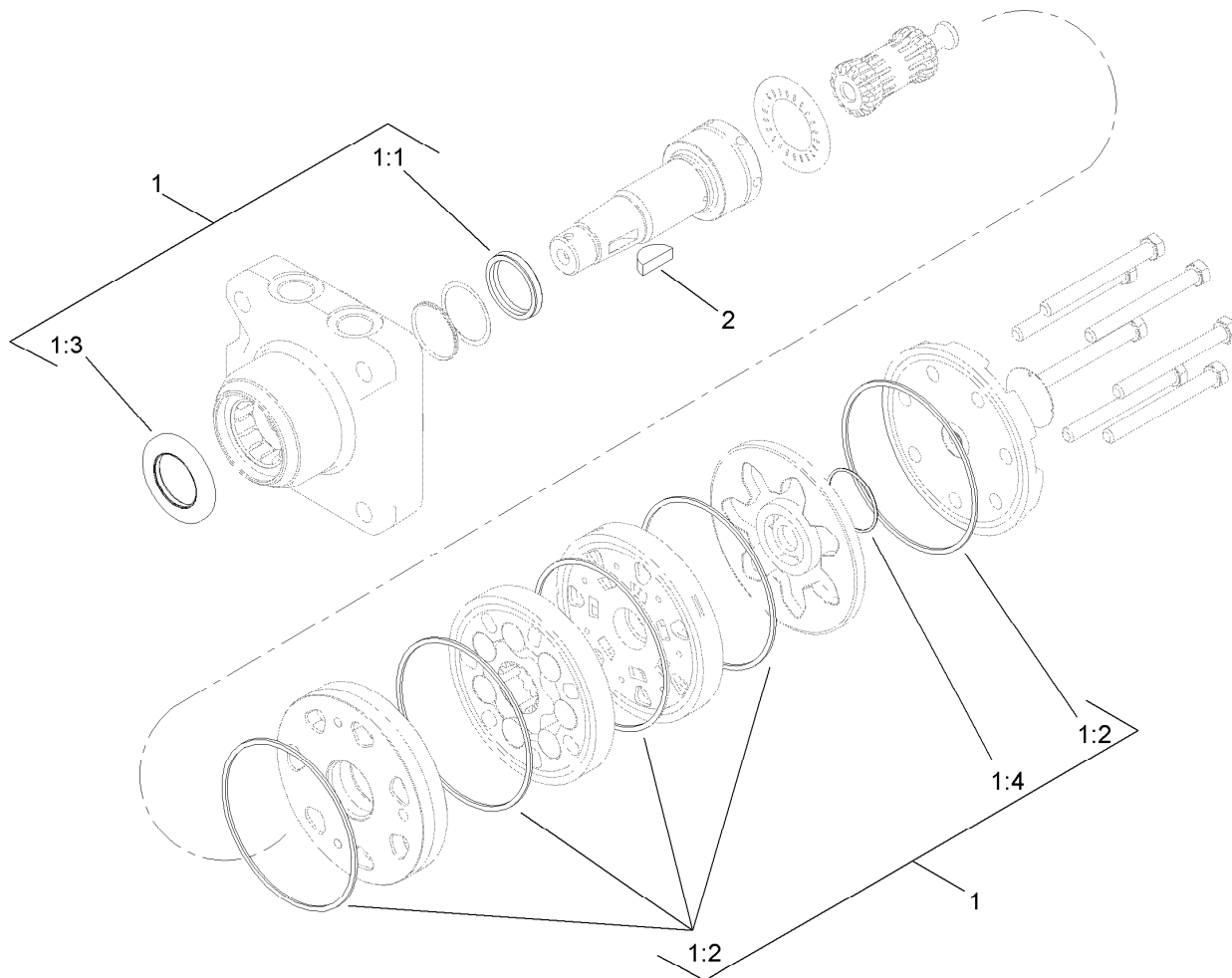
<i>Ref.</i>	<i>Part Number</i>	<i>Qty.</i>	<i>Description</i>
1	110-6459	1	Seal Kit
1:1		1	Seal-Shaft ●
1:2		5	Seal-Body ●
1:3		1	Seal-Dirt / Water ●
1:4		1	Seal-Commutator ●
2	3257-42	1	Key-Woodruff
3	99-3538	1	End Cover ASM
3:1		1	Spring Cap And O-Ring ASM ●
3:2	99-3541	1	Spring
3:3	99-3540	1	Ball

● Not serviced separately



Rear Wheel Assembly

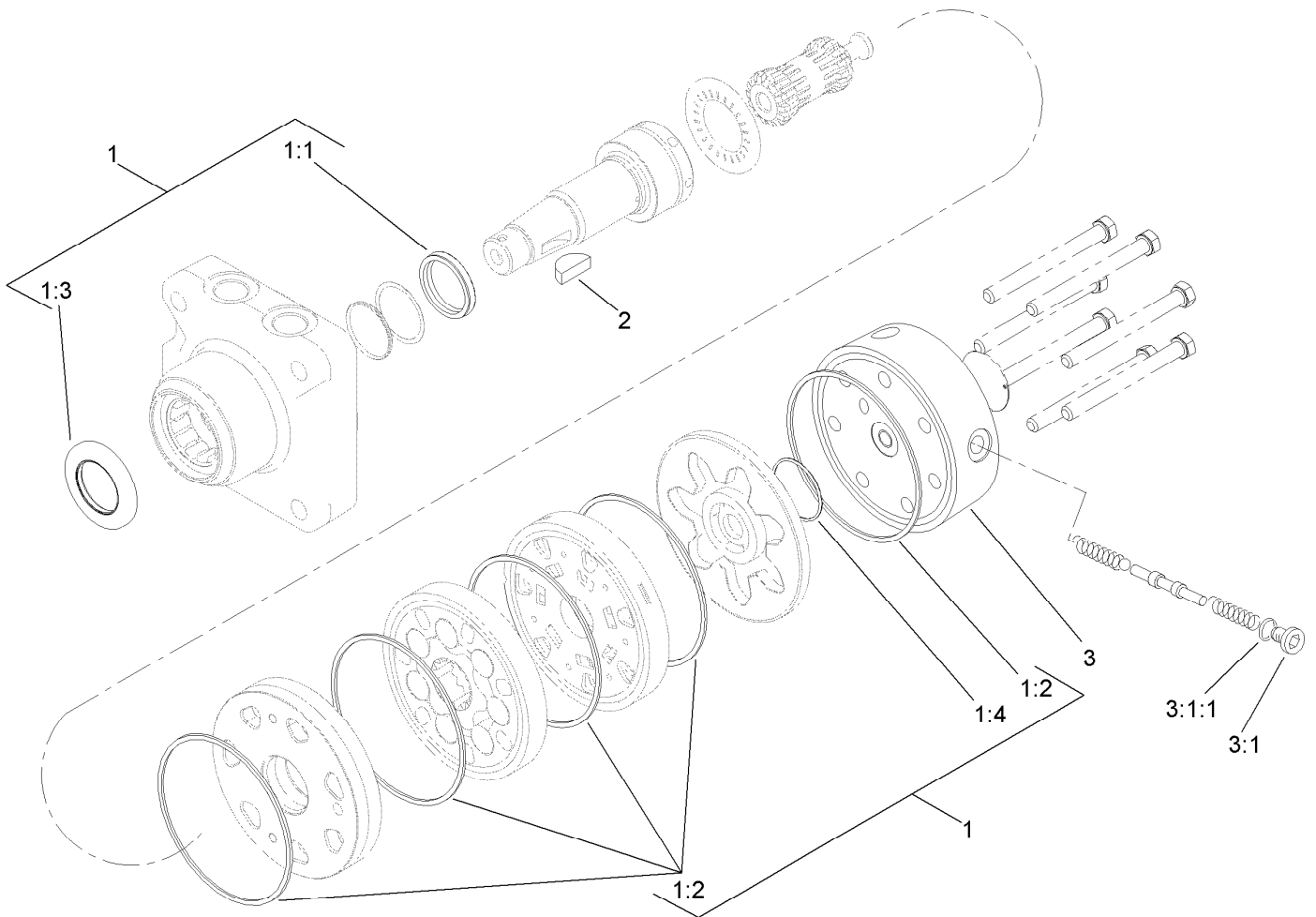
Ref.	Part Number	Qty.	Description	Ref.	Part Number	Qty.	Description
1	323-7	1	Screw-HH	25	32120-47	2	Ring-Retaining, External
2	3256-3	3	Washer-Flat	26	256-257	2	Bushing-Nyliner
3	32151-47	1	Ring-Retaining	27	108-7979-03	1	Bellcrank ASM
4	108-7991-03	1	Brake Lever ASM	28	104-8300	4	Nut-Flange, NI
5	108-7994	1	Bushing-Pivot, Lever	29	108-7983	1	Bushing-Cable
6	108-7988-03	1	Brake Lever Bracket ASM	30	66-4270	1	Spring-Extension
7	104-8301	1	Nut-Flange, NI	31	32121-11	2	Pin-Roll
8	322-11	2	Screw-HH	32	108-2947	1	HYD Motor ASM (CCW)
9	3256-23	2	Washer-Flat	33	108-7973-03	2	Brake Bracket ASM
10	3290-301	2	Washer-Spring	34	3253-7	8	Washer-Lock
11	21-1880	1	Grip-Handle	35	325-10	8	Screw-HH
12	108-2949	1	HYD Motor ASM (CW)	36	85-6540	8	Stud-Drive
13	108-7913	1	Cable-Brake, Park	37	108-7977-03	2	Hub-Wheel
14	108-7987	2	Link-Latch, Parking	38	26-3790	2	Nut-Lock
17	3290-307	4	Pin-Hair	39	95-0621	2	Wheel And Tire ASM
19	107-3376	2	Spring-Compression	39:1	232-35	1	Valve Stem And Cap ASM
21	19-1471	1	Screw-Shoulder	39:2	85-8290	1	Tire-2Ply, Knobby
22	114-0631	2	Clevis-Latch, Parking	39:3	94-6116	1	Wheel-Rear
23	108-7986-03	2	Bar-Brake	40	242-50	8	Nut-Lug
24	19-1470	1	Screw-Shoulder				



Hydraulic Motor Assembly No. 108-2949

<i>Ref.</i>	<i>Part Number</i>	<i>Qty.</i>	<i>Description</i>
1	110-6459	1	Seal Kit
1:1		1	Seal-Shaft ●
1:2		5	Seal-Body ●
1:3		1	Seal-Dirt / Water ●
1:4		1	Seal-Commutator ●
2	3257-42	1	Key-Woodruff

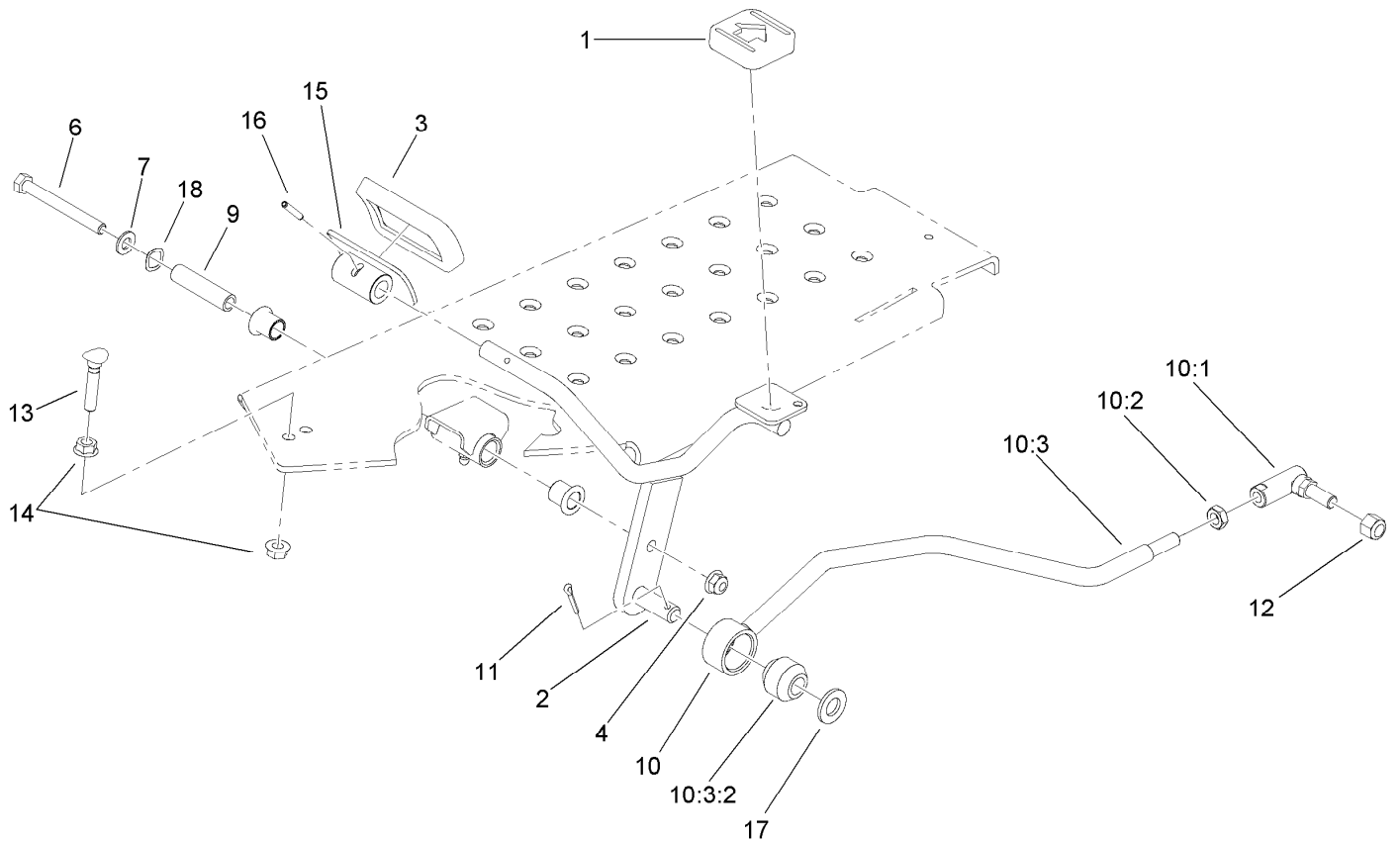
● Not serviced separately



Hydraulic Motor Assembly No. 108-2947

<i>Ref.</i>	<i>Part Number</i>	<i>Qty.</i>	<i>Description</i>
1	110-6459	1	Seal Kit
1:1		1	Seal-Shaft ●
1:2		5	Seal-Body ●
1:3		1	Seal-Dirt / Water ●
1:4		1	Seal-Commutator ●
2	3257-42	1	Key-Woodruff
3	110-3381	1	End Cover ASM
3:1	353-990	1	Plug
3:1:1	237-78	1	O-Ring

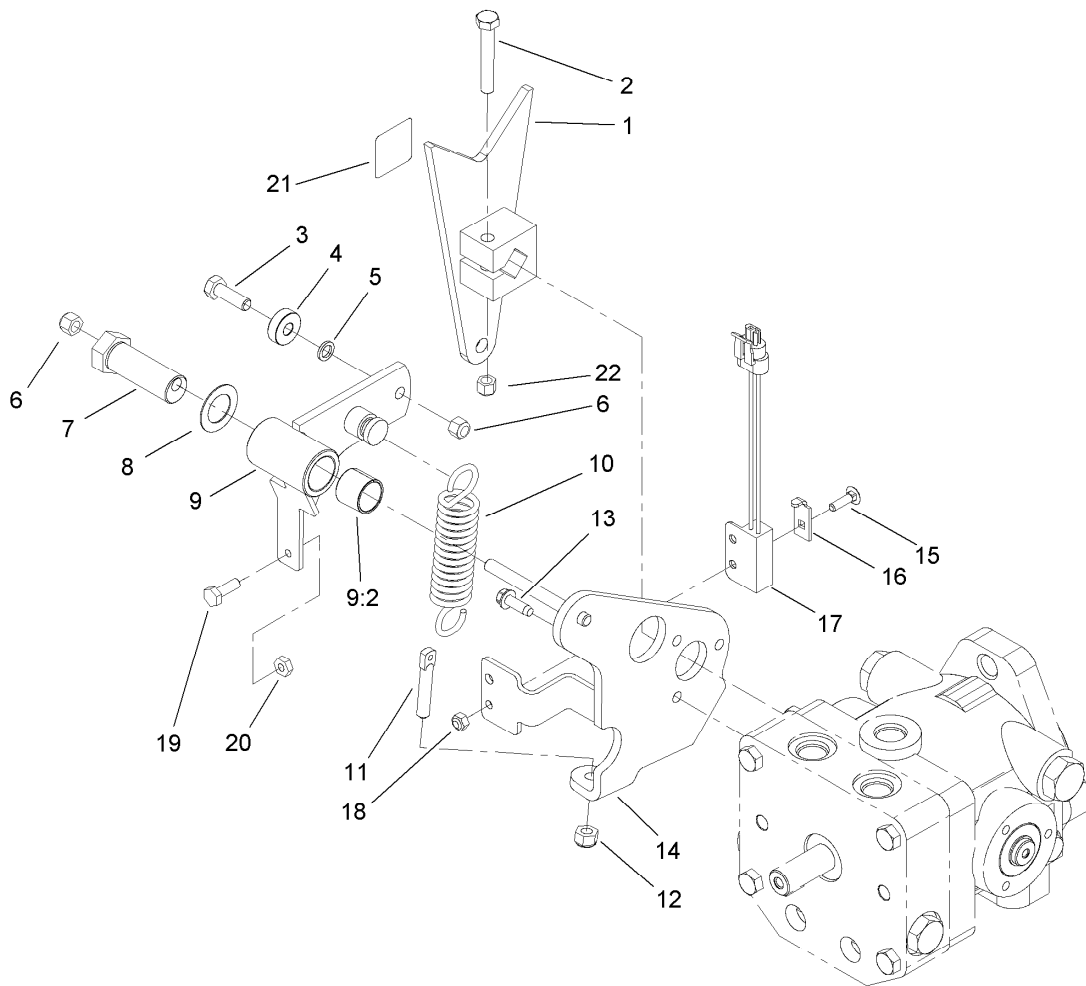
● Not serviced separately



Traction Pedal Assembly

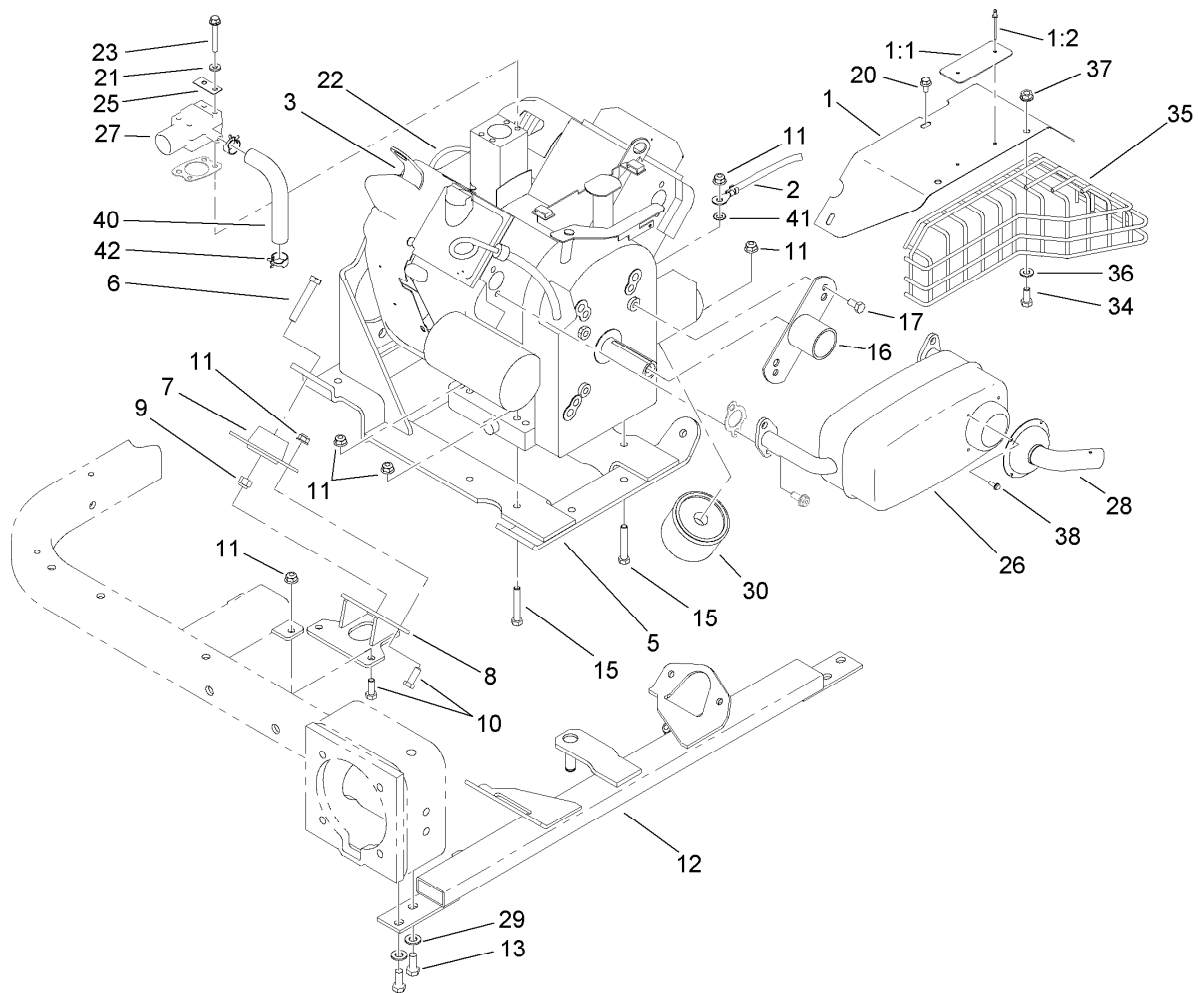
Ref.	Part Number	Qty.	Description
1	74-9110	1	Pad-Pedal, Reverse
2	108-5498-01	1	Pedal ASM
3	74-9100	1	Pad-Pedal, Forward
4	104-8300	1	Nut-Flange, NI
6	322-14	1	Screw-HH
7	3256-23	1	Washer-Flat
9	85-8960	1	Spacer
10		1	Traction Rod ASM ●
10:1	68-3840	1	Joint-Ball, RH Threaded
10:2	3220-3	1	Nut-HJ
10:3	110-8160	1	Rod ASM
10:3:2	23-2270	1	Bushing-Rubber
11	3272-10	1	Pin-Cotter
12	3296-6	1	Nut-Lock
13	17-9420	1	Screw-Handle
14	32128-20	2	Nut-HF
15	49-6440-03	1	Pedal-Forward
16	32121-45	1	Pin-Spring
17	106-9888	1	Washer-Flat
18	108473	1	Washer-Wave

● Not serviced separately



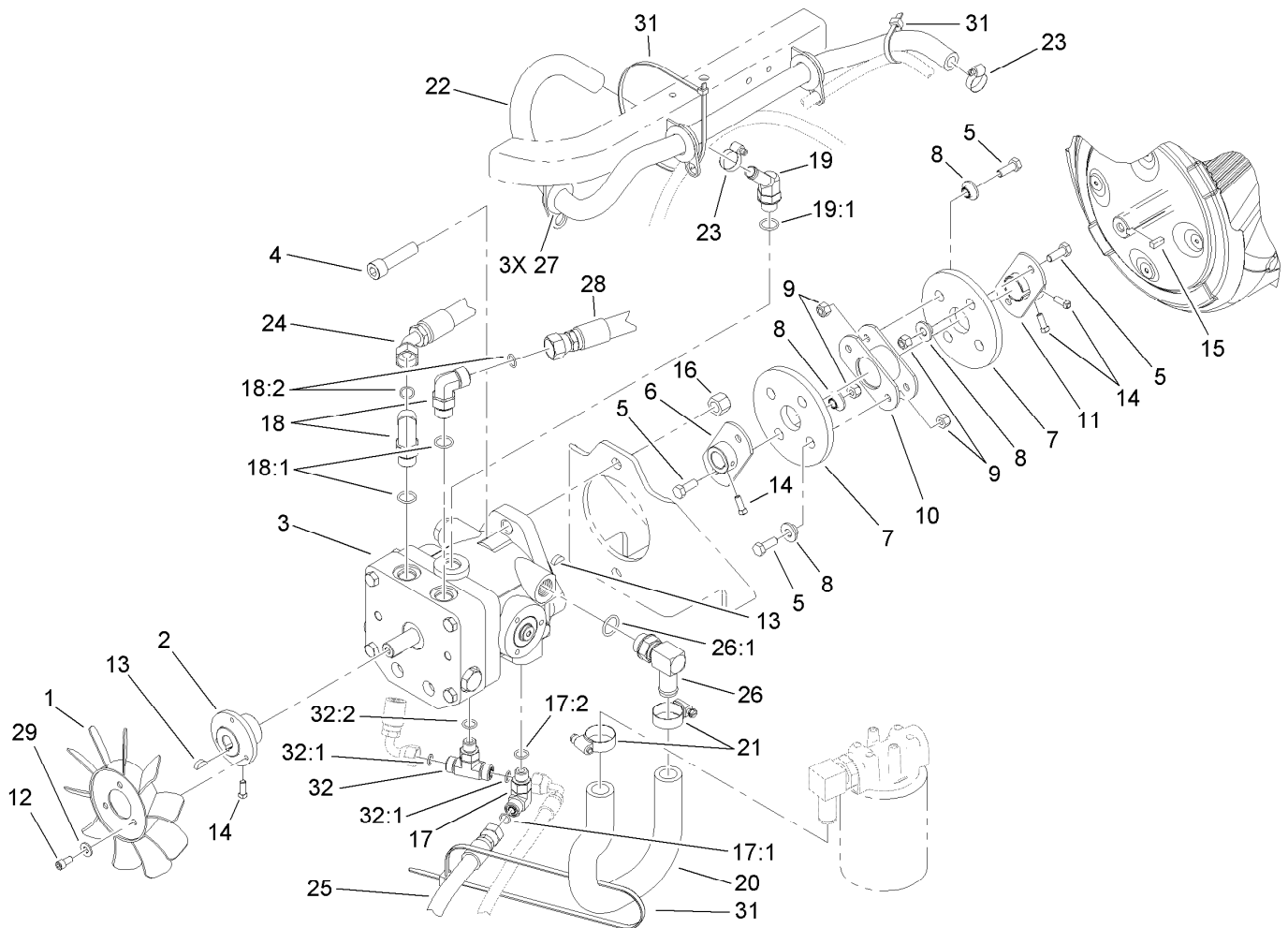
Pump Control Lever Assembly

<i>Ref.</i>	<i>Part Number</i>	<i>Qty.</i>	<i>Description</i>
1	112-6458-03	1	Pump Lever ASM
2	323-11	1	Screw-HH
3	322-5	1	Screw-HH
4	251-307	1	Bearing-Ball
5	75-5470	1	Spacer-Bearing
6	3296-29	2	Nut-Lock, NI
7	76-8640	1	Stud-Traction
8	3-6498	1	Washer-Thrust
9	108-5493	1	Arm ASM
9:2	94-9609	2	Bushing-Straight
10	85-9030	1	Spring-Extension
11	18-6380	1	Pin-Adjustment, Steering
12	3296-4	1	Nut-Lock
13	49-2040	3	Screw-HWHTF
14	108-5490-03	1	Pump Plate ASM
15	3229-20	1	Screw-CARR
16	100-4872	1	Plate-Switch, Neutral
17	105-0023	1	Switch-Proximity
18	3296-2	1	Nut-Lock, NI
19	321-4	1	Screw-HH
20	3218-1	1	Nut-Jam
21	93-9051	1	Decal-Bolt, Eccentric
22	3296-39	1	Nut-Lock, NI



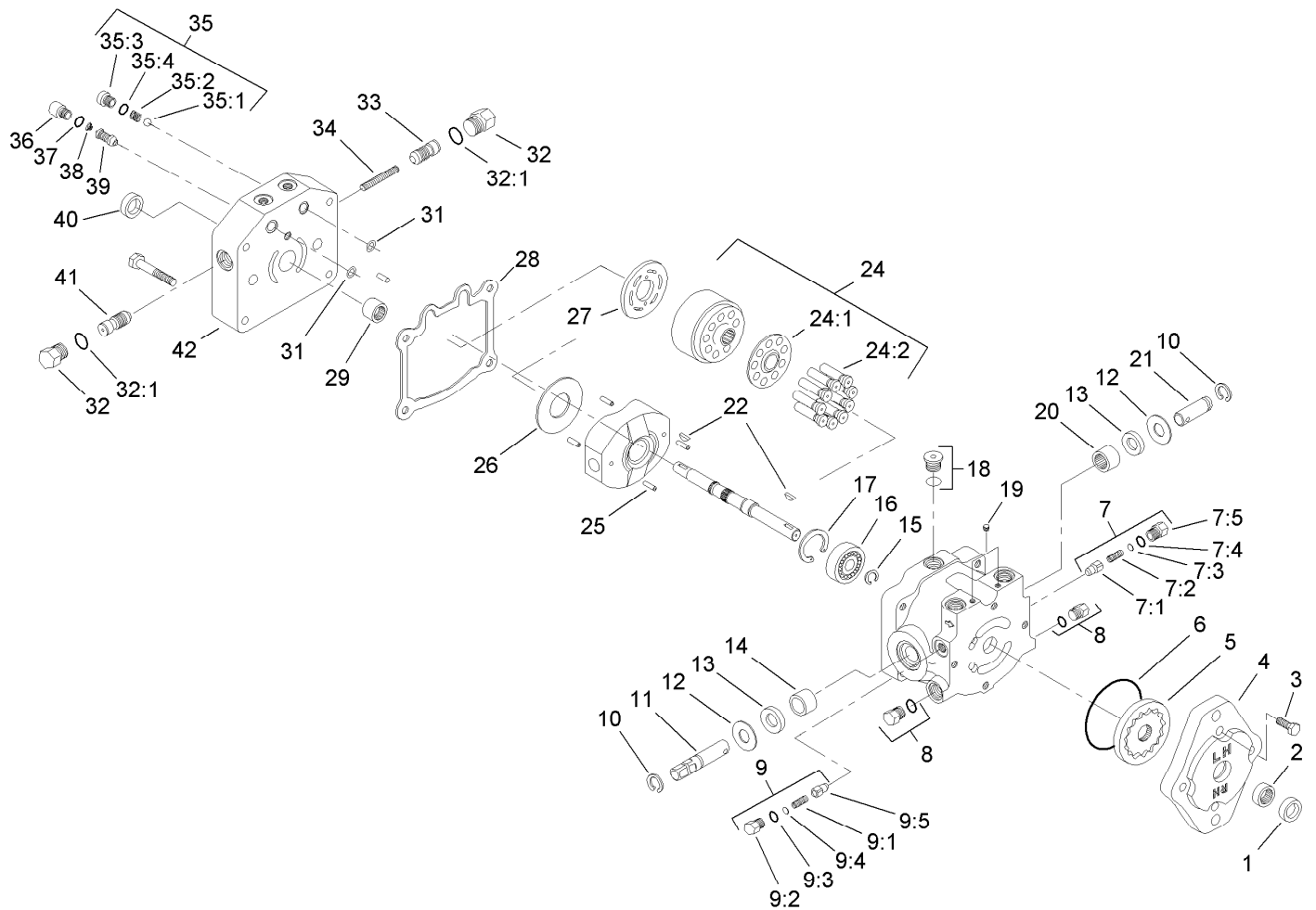
Engine Installation Assembly

<i>Ref.</i>	<i>Part Number</i>	<i>Qty.</i>	<i>Description</i>	<i>Ref.</i>	<i>Part Number</i>	<i>Qty.</i>	<i>Description</i>
1	105-8523	1	Muffler Shield ASM	20	33103-012	3	Screw-HHF
1:1	95-0645	1	Plate-Surface, Hot	21	3256-16	4	Washer-Flat
1:2	3269-32	2	Rivet-Pop	22	110-8181	1	Hose-Fuel
2	54-3093	1	Cable-Battery, Negative	23	33103-045	4	Screw-HHF
3	108-2943	1	Engine-Briggs & Stratton, 356447-0179	25	108-8427	2	Gasket-Carburetor
5	108-2809-03	1	Engine Support ASM	26	114-0628	1	Muffler-Inlet, Dual
6	323-11	4	Screw-HH	27	108-2829	1	Adaptor-Carburetor
7	83-1030	4	Mount-Engine	28	110-1306	1	Pipe-Tail
8	108-8474-01	2	Front Mount ASM	29	3256-24	4	Washer-Flat
9	104-8301	4	Nut-Flange, NI	30	107-7817	1	Filter-Oil, Engine
10	322-4	12	Screw-HH	34	322-3	3	Screw-HH
11	104-8300	16	Nut-Flange, NI	35	110-6348-03	1	Shield-Exhaust
12	108-2819-01	1	Engine Mount ASM	36	3256-23	3	Washer-Flat
13	323-5	4	Screw-HH	37	32128-25	3	Nut-HF
15	322-10	4	Screw-HH	38	32144-87	4	Screw-HWHTF
16	95-0632-03	1	Cover ASM	40	112-6461	1	Hose-Adapter, Carboretor
17	3210-2	2	Screw-HH	41	3255-8	1	Washer-Lock
				42	2412-143	2	Clamp-Hose



Pump and Coupling Assembly

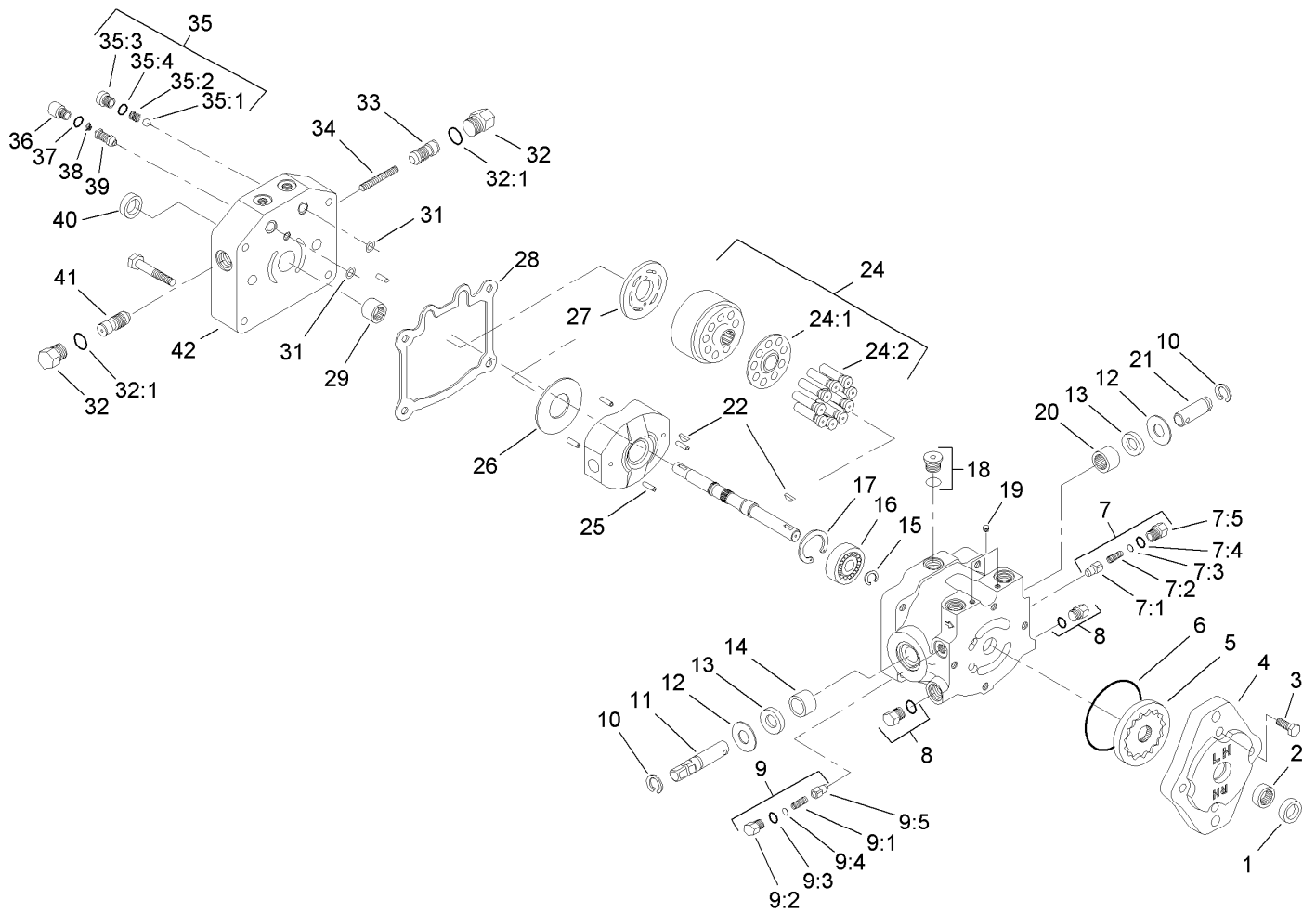
Ref.	Part Number	Qty.	Description	Ref.	Part Number	Qty.	Description
1	1-633869	1	Fan-Pump, Cooling	18:1	237-79	1	O-Ring
2	108-5484	1	Hub-Fan	18:2	237-30	1	O-Ring
3	114-0612	1	Variable Piston Pump ASM	19	354-126	1	Fitting-HYD, 45 DEG
4	3274-5	2	Screw-HSH	19:1	237-79	1	O-Ring
5	322-4	8	Screw-HH	20	108-5481	1	Hose-Suction
6	85-8700	1	Hub-Pump	21	2412-129	2	Clamp-Hose
7	80-8650	2	Coupling-Drive	22	110-1325	1	Hose-Return
8	27-6600	8	Spacer-Coupling	23	2412-36	2	Clamp-Hose
9	3296-47	8	Nut-Lock, NI	24	108-8440	1	Hose ASM
10	85-8770	1	Coupling	25	108-8428	1	HYD Hose ASM
11	85-8730	1	Hub-Engine	26	87-8170	1	Fitting
12	3274-52	3	Screw-HSH	26:1	237-80	1	O-Ring
13	3257-32	2	Key-Woodruff	27	240-4	3	Grommet-Rubber
14	3241-7	6	Screw-SQH	28	110-1322	1	HYD Hose ASM
15	85-9020	1	Key-Square	29	3256-22	3	Washer-Flat
16	3296-23	2	Nut-Lock, NI	31	3290-379	4	Tie-Cable
17	340-77	1	Fitting-HYD, 90 DEG	32	340-94	1	Adapter
17:1	237-22	1	O-Ring	32:1	237-22	2	O-Ring
17:2	237-42	1	O-Ring	32:2	237-42	1	O-Ring
18	340-98	2	Fitting-HYD, 90 DEG				



Variable Piston Pump Assembly No. 114-0612

Ref.	Part Number	Qty.	Description	Ref.	Part Number	Qty.	Description
1	110-6337	1	Seal-Lip	16	95-5809	1	Bearing-Ball
2	67-8050	1	Bearing-Needle	17	32151-75	1	Ring-Retaining
3	322-4	4	Screw-HH	18	67-9090	1	Plug ASM
4	114-0611	1	Housing-Pump, Charge	19	75-0160	1	Plug-Pipe
5	95-5812	1	Gerotor ASM	20	110-6339	1	Bearing-Needle
6	237-95	1	O-Ring	21	25-2500	1	Shaft-Trunnion
7	49-8520	1	Implement Relief Kit	22	3257-32	2	Key-Woodruff
7:1	83-7260	1	Cone-Relief, Charge	24	48-1800	1	Cylinder Block Kit
7:2	25-2570	1	Spring-Valve	24:1		1	Retainer-Slipper ●
7:3	25-2470	1	Pack-Shim	24:2		9	Piston ASM ●
7:4	237-86	1	O-Ring	25	32121-91	4	Pin-Spring
7:5	25-2460	1	Plug-HH	26	25-2510	1	Washer-Flat
8	67-8030	2	Plug ASM	27	88-8160	1	Plate-Valve
9	49-8510	1	Valve Kit	28	25-2400	1	Gasket
9:1	25-2480	1	Spring-Valve	29	110-6341	1	Bearing-Roller
9:2	25-2460	1	Plug-HH	31	112-7652	2	O-Ring
9:3	237-86	1	O-Ring	32	28-3440	1	Plug-Threaded
9:4	25-2470	1	Pack-Shim	32:1	75-0240	1	O-Ring
9:5	83-7260	1	Cone-Relief, Charge	33	98-0920	1	Valve-Acceleration
10	32151-46	2	Ring-Retaining	34	25-2610	1	Spring-Valve
11	88-8180	1	Shaft-Trunnion	35	99-5689	1	Check Valve Kit
12	25-2510	2	Washer-Flat	35:1	25-2490	1	Ball
13	25-3210	2	Seal-Lip	35:2	25-2640	1	Spring-Valve
14	88-8190	1	Bearing-Journal	35:3	25-2650	1	Plug-Valve, Check
15	94-3996	1	Ring-Retaining	35:4	237-86	1	O-Ring

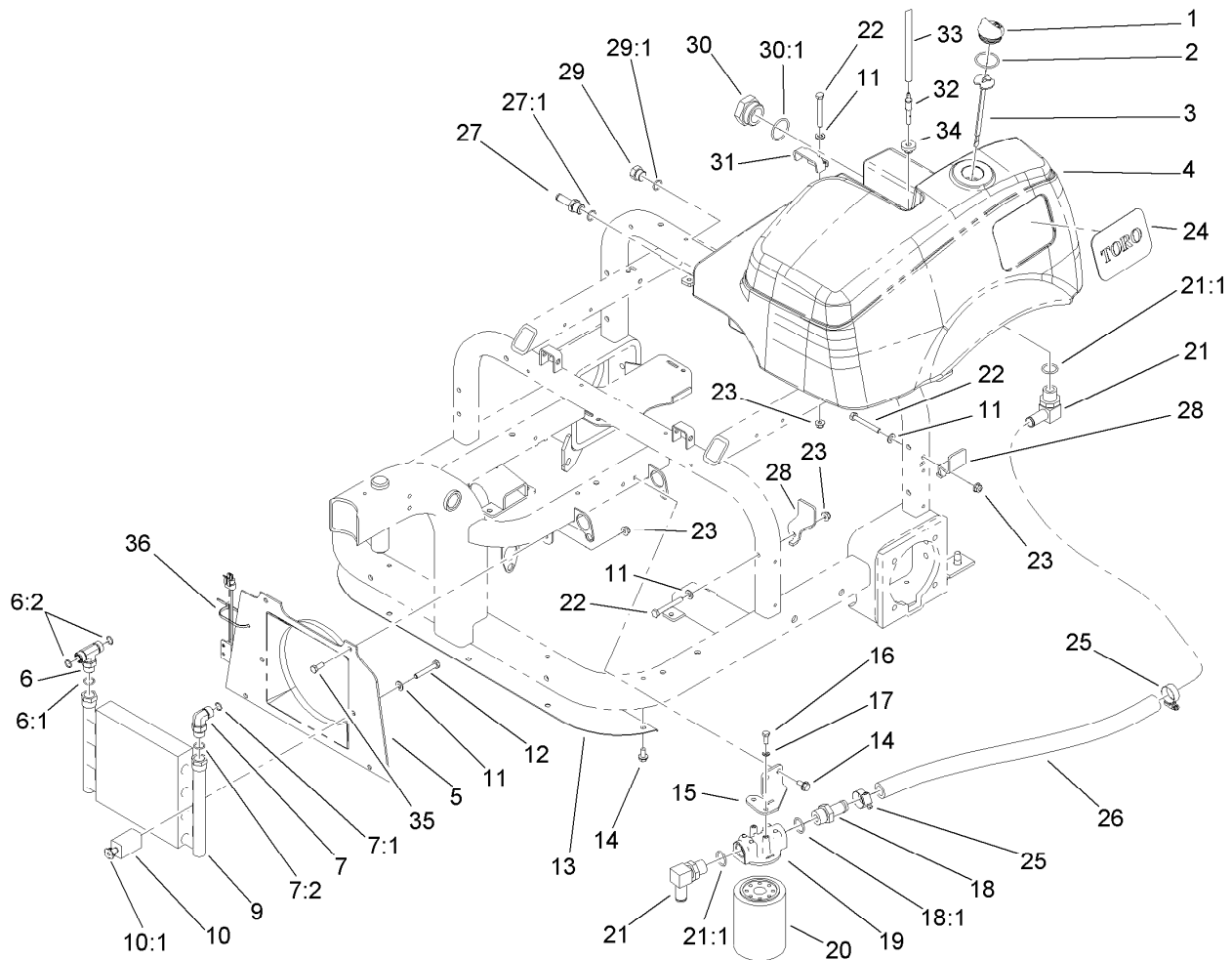
● Not serviced separately



Variable Piston Pump Assembly No. 114-0612 (continued)

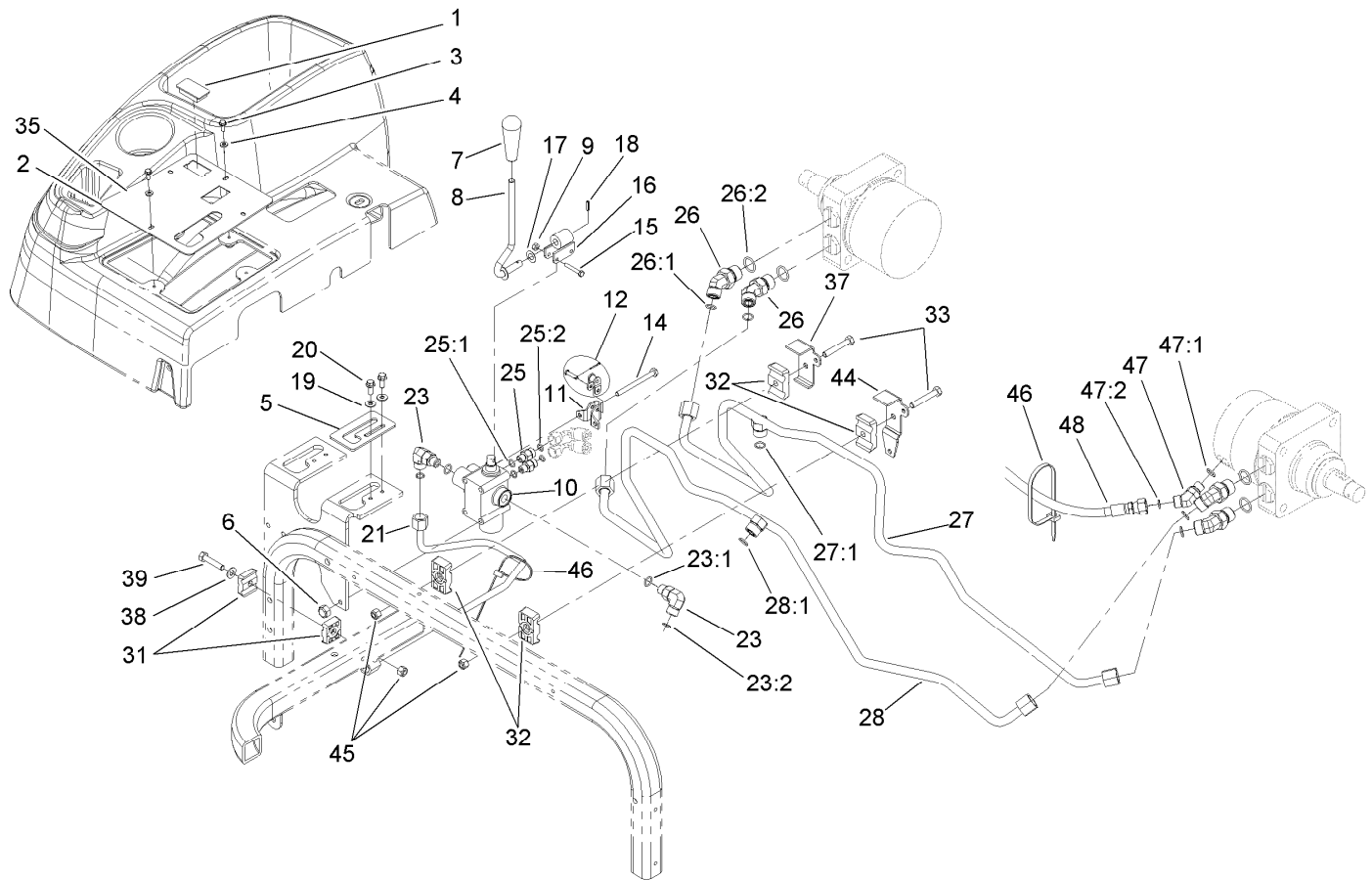
Ref.	Part Number	Qty.	Description	Ref.	Part Number	Qty.	Description
36	75-0190	1	Plug-Special	40	88-8230	1	Seal-Lip
37	75-0240	1	O-Ring	41	98-0920	1	Valve-Acceleration
38	110-6342	1	Spring	42	112-7651	1	Cap-End
39	110-6343	1	Valve-Scr				

● Not serviced separately



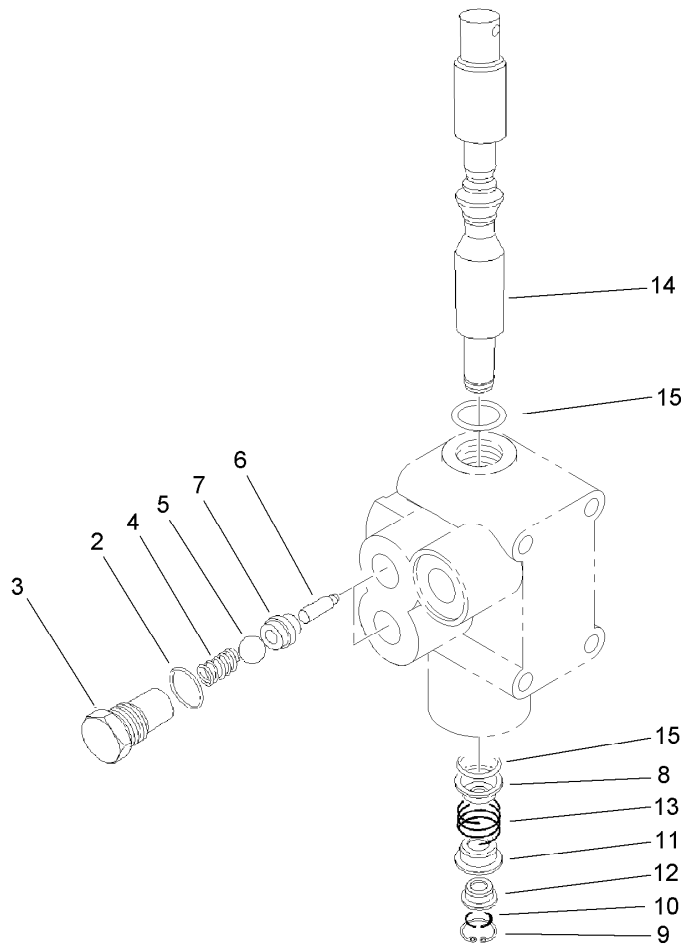
Hydraulic Tank, Filter and Cooler Assembly

Ref.	Part Number	Qty.	Description	Ref.	Part Number	Qty.	Description
1	93-7498	1	Plug-Plastic	19	68-8990	1	Filter Head ASM
2	237-101	1	O-Ring	20	54-0110	1	Filter-Oil, Transmission
3	108-7996	1	Dipstick ASM	21	353-987	2	Fitting-HYD, 90 DEG (Barbed)
4	108-2937	1	Tank-HYD	21:1	237-81	1	O-Ring
5	108-5477	1	Shroud-Fan	22	322-12	5	Screw-HH
6	340-157	1	Fitting-HYD, Tee	23	104-8300	9	Nut-Flange, NI
6:1	237-79	1	O-Ring	24	108-8452	1	Decal-Logo
6:2	237-30	2	O-Ring	25	2412-129	2	Clamp-Hose
7	340-98	1	Fitting-HYD, 90 DEG	26	108-5483	1	Hose-Suction, Tank
7:1	237-79	1	O-Ring	27	354-121	1	Fitting-Straight
7:2	237-30	1	O-Ring	27:1	237-79	1	O-Ring
9	108-8457	1	Cooler-Oil	28	108-7965	2	Clamp-Tank, HYD
10	85-9550	2	Rubber Clamp ASM	29	353-550	1	Plug-HYD, HH
10:1	85-9670	1	T-Nut	29:1	237-79	1	O-Ring
11	3256-23	7	Washer-Flat	30	108-8468	1	Plug-HH
12	322-10	2	Screw-HH	30:1	237-101	1	O-Ring
13	108-5480-03	1	Panel-Cooler	31	108-7903	1	Clamp-Tank
14	32144-14	7	Screw-HWHTF	32	110-1372	1	Fitting-Vent, Tank
15	108-5482	1	Bracket-Filter, Oil	33	110-8181	1	Hose-Fuel
16	321-4	2	Screw-HH	34	46-6560	1	Bushing
17	3253-3	2	Washer-Lock	35	322-3	4	Screw-HH
18	354-73	1	Fitting-Straight	36	3290-379	1	Tie-Cable
18:1	237-81	1	O-Ring				



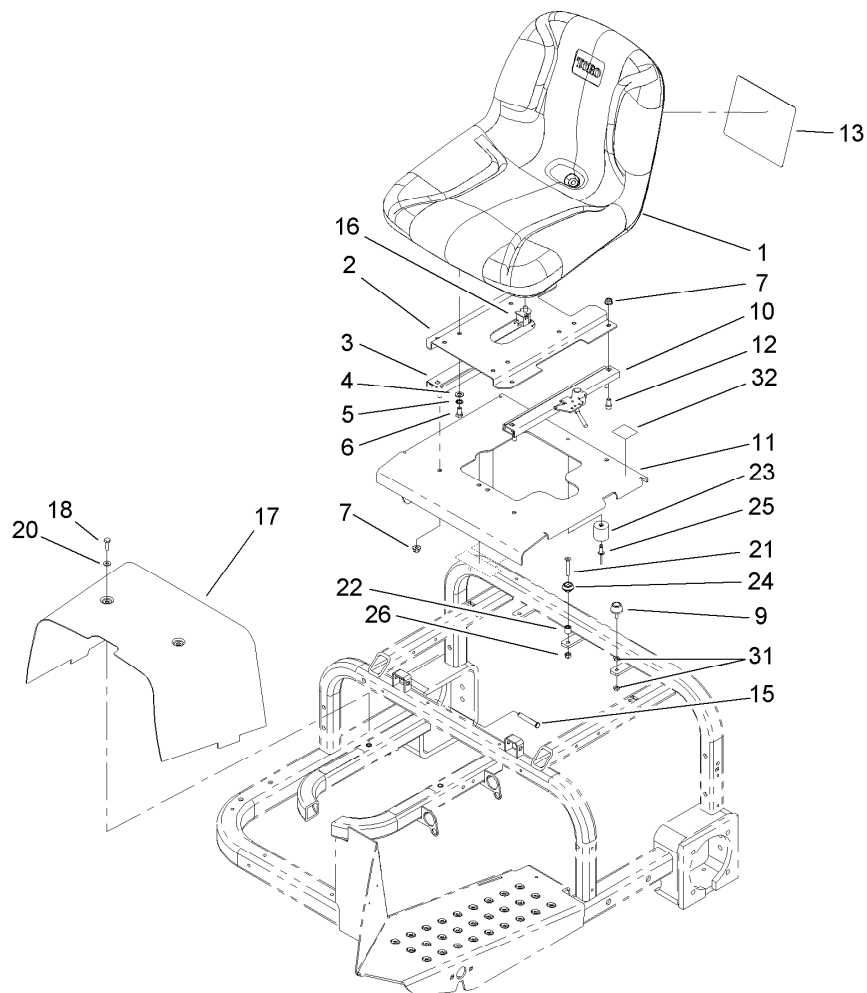
Lift Valve and Rear Tube Assembly

<i>Ref.</i>	<i>Part Number</i>	<i>Qty.</i>	<i>Description</i>	<i>Ref.</i>	<i>Part Number</i>	<i>Qty.</i>	<i>Description</i>
1	99-7420	1	Plug-Hole	25:1	237-78	1	O-Ring
2	108-7909-03	1	Panel-Control	25:2	237-21	1	O-Ring
3	3290-321	4	Screw-HWH	26	340-89	4	Fitting-HYD, 45 DEG
4	3256-51	4	Washer-Flat	26:1	237-30	1	O-Ring
5	108-7941	1	Plate-Guide, Lever	26:2	237-80	1	O-Ring
6	3296-42	3	Nut-Lock, NI	27	108-8406	1	Tube ASM
7	98-0152	1	Knob-Tapered	27:1	237-30	1	O-Ring
8	108-7942	1	Rear Lever ASM	28	110-1323	1	Tube ASM
9	3296-2	2	Nut-Lock, NI	28:1	237-30	1	O-Ring
10	43-1710	1	Valve ASM	31	56-7973	2	Clamp-Tube
11	88-8480	1	Bracket-Pivot	32	56-7976	4	Clamp-Tube
12	2710-20	1	Link-Offset	33	322-10	2	Screw-HH
14	321-23	3	Screw-HH	35	108-8484	1	Decal-Lift, Rear
15	3290-360	2	Screw-HH	37	110-1333	1	Bracket-Clamp
16	98-8159	1	Pivot	38	3256-23	1	Washer-Flat
17	3290-477	1	Washer-Curved	39	322-7	1	Screw-HH
18	32121-73	1	Pin-Roll	44	110-1332	1	Bracket-Clamp
19	3256-1	2	Washer-Flat	45	3296-29	3	Nut-Lock, NI
20	3234-33	2	Screw-HHF	46	3290-378	2	Tie-Cable
21	108-8416	1	Tube ASM	47	340-87	1	Fitting-HYD, 45 DEG
23	340-77	2	Fitting-HYD, 90 DEG	47:1	237-22	1	O-Ring
23:1	237-22	1	O-Ring	47:2	237-42	1	O-Ring
23:2	237-42	1	O-Ring	48	112-1411	1	Hose-HYD
25	340-92	2	Fitting-HYD, Straight				



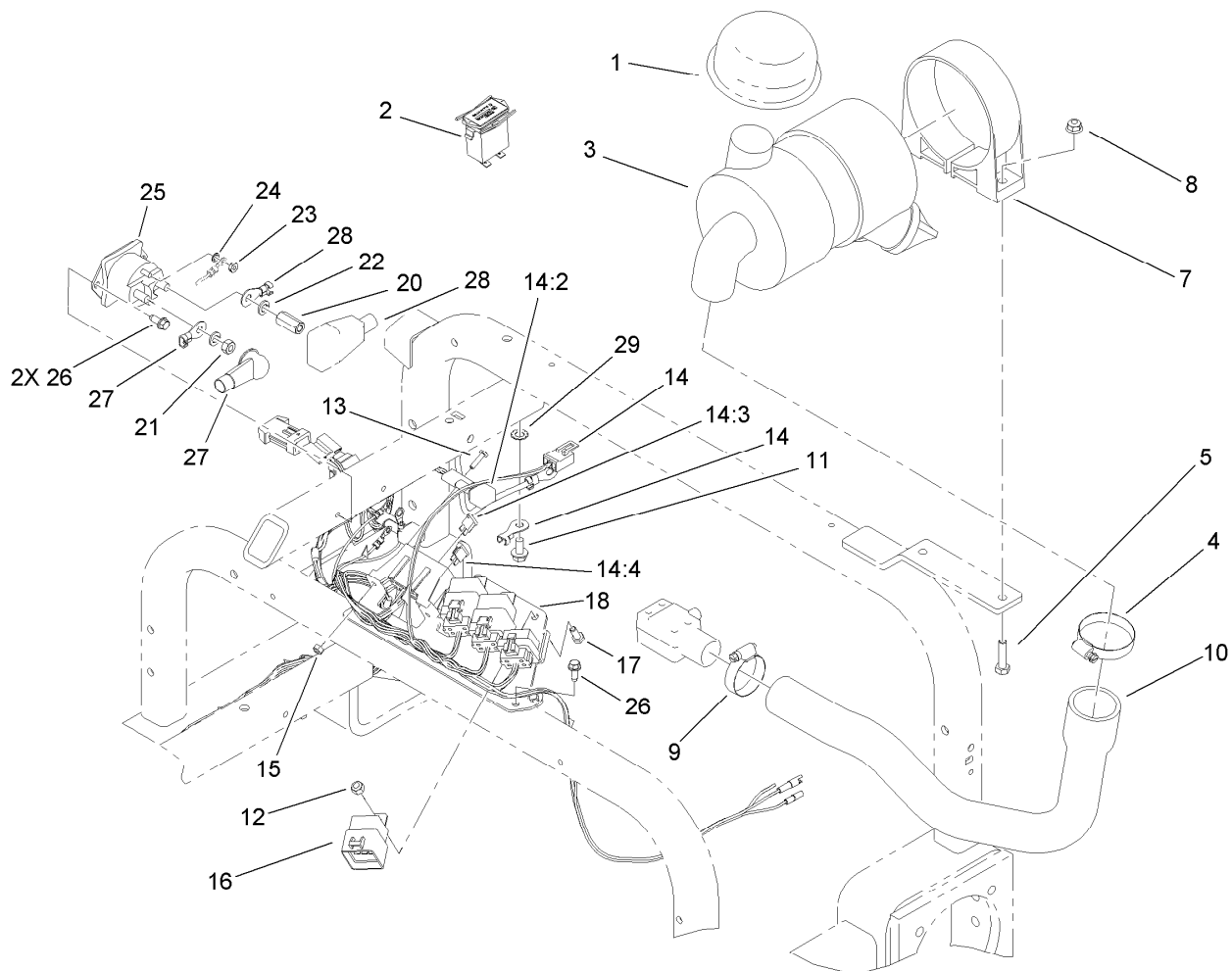
Valve Assembly No. 43-1710

<i>Ref.</i>	<i>Part Number</i>	<i>Qty.</i>	<i>Description</i>
2	237-42	2	O-Ring
3	22-8330	2	Plug
4	22-8340	2	Spring
5	22-8350	2	Ball
6	22-8360	2	Pin
7	22-8370	2	Seat-Valve
8	22-8380	1	Retainer
9	22-8490	1	Ring-Snap
10	22-8480	1	Ring-Snap
11	22-8390	1	Retainer
12	22-8400	1	Spacer
13	22-8410	1	Spring
14	22-8420	1	Spool
15	22-8500	2	O-Ring



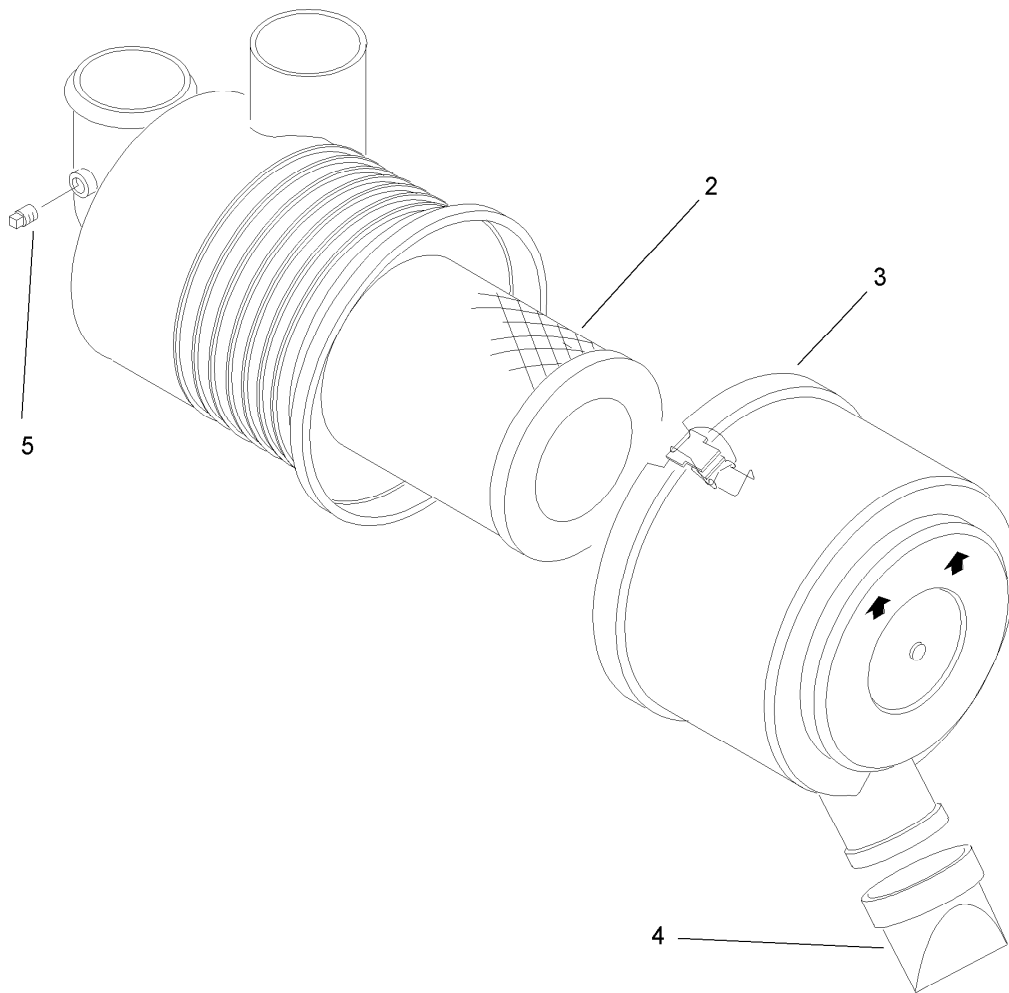
Seat and Shroud Assembly

<i>Ref.</i>	<i>Part Number</i>	<i>Qty.</i>	<i>Description</i>	<i>Ref.</i>	<i>Part Number</i>	<i>Qty.</i>	<i>Description</i>
1	108-6878	1	Seat	16	82-2190	1	Switch-Bail
2	108-7931-03	1	Base-Seat	17	108-6859-01	1	Shroud-Center
3	51-0780	1	Slider-Seat	18	321-5	2	Screw-HH
4	3256-23	4	Washer-Flat	20	3256-1	2	Washer-Flat
5	3254-2	4	Washer-Lock, Internal	21	32108-9	1	Screw-FH
6	322-2	4	Screw-HH	22	609588	1	Spacer
7	104-8300	8	Nut-Flange, NI	23	99-7830	1	Rubber Receptical ASM
9	1-523420	2	Bumper	24	99-7833	1	Post-Holding
10	51-0790	1	Adjuster-Seat, LH	25	3290-412	1	Rivet
11	112-1445-03	1	Seat ASM	26	3296-42	1	Nut-Lock, NI
12	3274-12	4	Screw-HSH	31	3218-1	4	Nut-Jam
13	108-8418	1	Decal-Service	32	105-2699	1	Decal-Noise
15	112-7153	2	Pin				



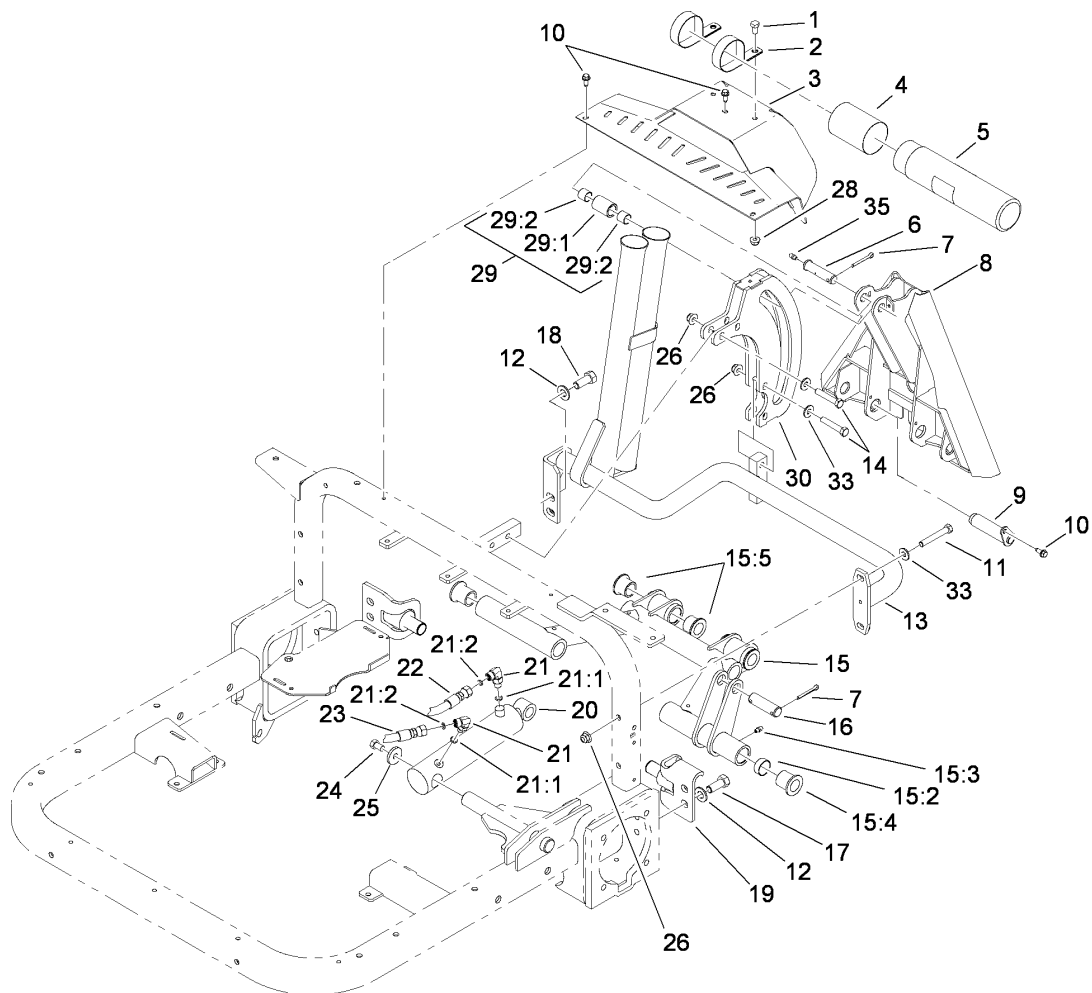
Wire Harness, Air Cleaner and Hose Assembly

<i>Ref.</i>	<i>Part Number</i>	<i>Qty.</i>	<i>Description</i>	<i>Ref.</i>	<i>Part Number</i>	<i>Qty.</i>	<i>Description</i>
1	46-7510	1	Hood-Inlet, Air	14:4	109355	1	Fuse-Blade, 15 Amp
2	1-513374	1	Meter-Hour	15	3296-2	2	Nut-Lock, NI
3	93-2190	1	Air Cleaner ASM	16	99-7430	3	Relay
4	2412-92	1	Clamp-Hose	17	321-3	3	Screw-HH
5	322-6	2	Screw-HH	18	112-1444-01	1	Bracket-Relay
7	95-5806	1	Bracket-Mounting	20	110-3380	1	Nut-Standoff
8	104-8300	2	Nut-Flange, NI	21	3218-13	1	Nut-Jam, Brass
9	2412-3	1	Clamp-Hose	22	3253-4	2	Washer-Lock
10	108-8401	1	Hose-Air	23	3219-14	2	Nut-Hex
11	32144-14	1	Screw-HWHTF	24	3254-1	2	Washer-Lock, Int
12	3296-42	3	Nut-Lock, NI	25	28-4210	1	Solenoid
13	3250-13	2	Screw-PPH	26	32144-10	4	Screw-HWH
14	112-1446	1	Harness-Wire	27	110-3315	1	Cable-Positive, Starter
14:2	100-4918	2	Diode	28	110-3314	1	Cable-Positive, Battery
14:3	218-578	1	Fuse-Blade, 10 Amp	29	3255-9	1	Washer-Lock



Air Cleaner Assembly No. 93-2190

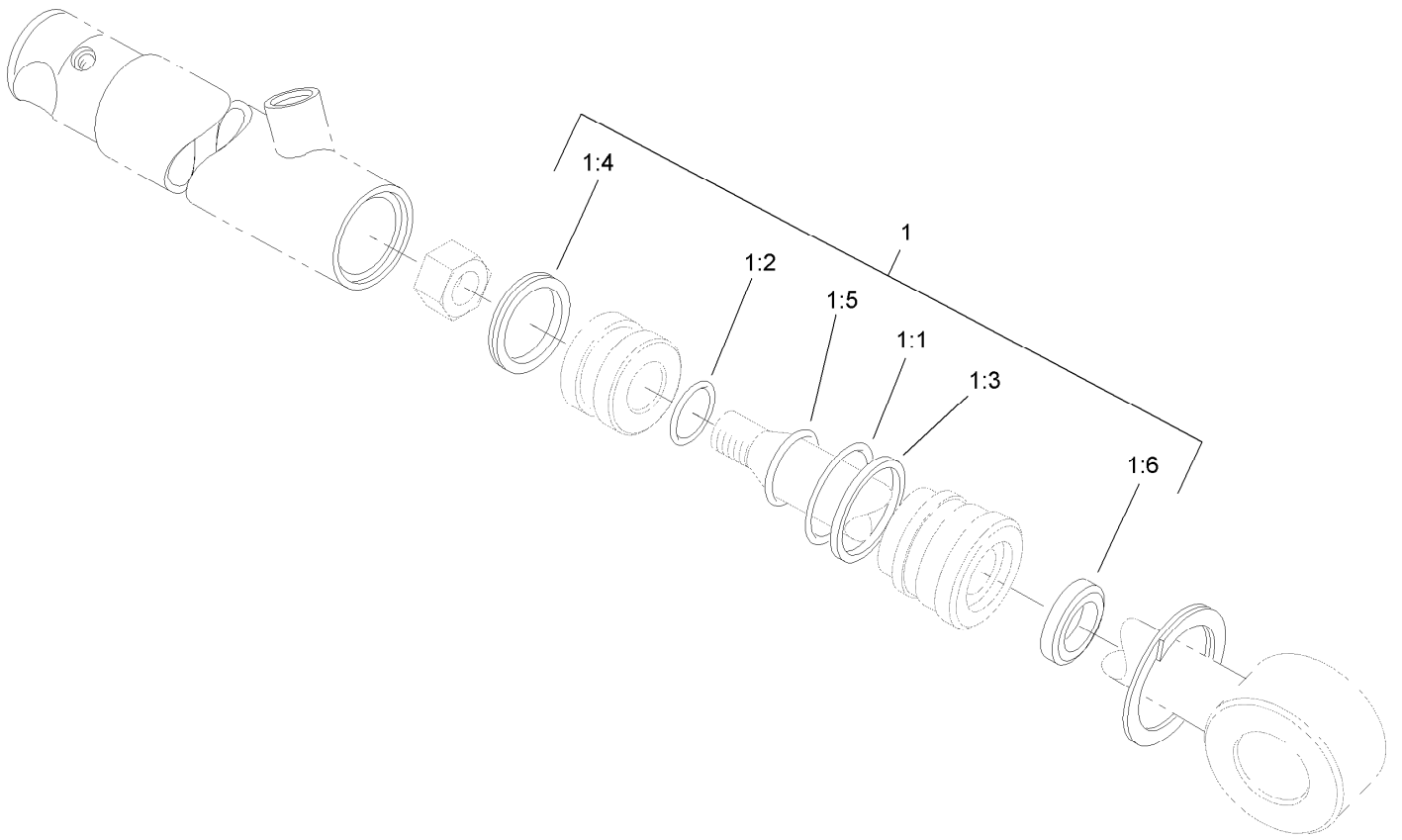
<i>Ref.</i>	<i>Part Number</i>	<i>Qty.</i>	<i>Description</i>
2	108-3811	1	Filter-Air
3	94-3652	1	Cover ASM
4	87-9400	1	Valve-Vacuator
5	285-17	1	Plug-Pipe



Rear Hitch Assembly

Ref.	Part Number	Qty.	Description	Ref.	Part Number	Qty.	Description
1	322-2	2	Screw-HH	17	325-4	2	Screw-HH
2	2412-133	2	R-Clamp	18	325-5	2	Screw-HH
3	108-7970-01	1	Rear Cover ASM	19	114-0619	2	Pivot Pin ASM
4	104-7048	1	Cap-Housing	20	110-1338	1	Hydraulic Cylinder ASM
5	104-7050	1	Tube-Manual	21	340-132	2	Fitting-HYD, 90 DEG
6	108-2282	1	Pin-Clevis	21:1	237-78	1	O-Ring
7	3272-23	3	Pin-Cotter	21:2	237-21	1	O-Ring
8	108-6870-01	1	Adapter ASM	22	95-8837	1	Hose ASM
9	108-6885	2	Pin ASM	23	100-3833	1	HYD Hose ASM
10	32144-10	5	Screw-HWH	24	323-34	1	Screw-HH
11	323-12	2	Screw-HH	25	53-6380	1	Washer-Flat
12	3256-26	4	Washer-Flat	26	104-8301	6	Nut-Flange, NI
13	108-6860-03	1	Hitch Frame ASM	28	104-8300	2	Nut-Flange, NI
14	323-10	4	Screw-HH	29	108-5472	1	Tube ASM
15	110-3375	1	Rear Tube ASM	29:1		1	Tube-Roller ●
15:2	110-3365	2	Plug-Expansion	29:2	256-311	2	Bushing-Split
15:3	302-5	4	Fitting-Grease	30	110-1368-01	1	Roller Plate ASM
15:4	95-3577	2	Bushing	33	3256-3	6	Washer-Flat
15:5	33-3090	4	Bushing	35	302-5	1	Fitting-Grease
16	18-7310	1	Pin-Cylinder				

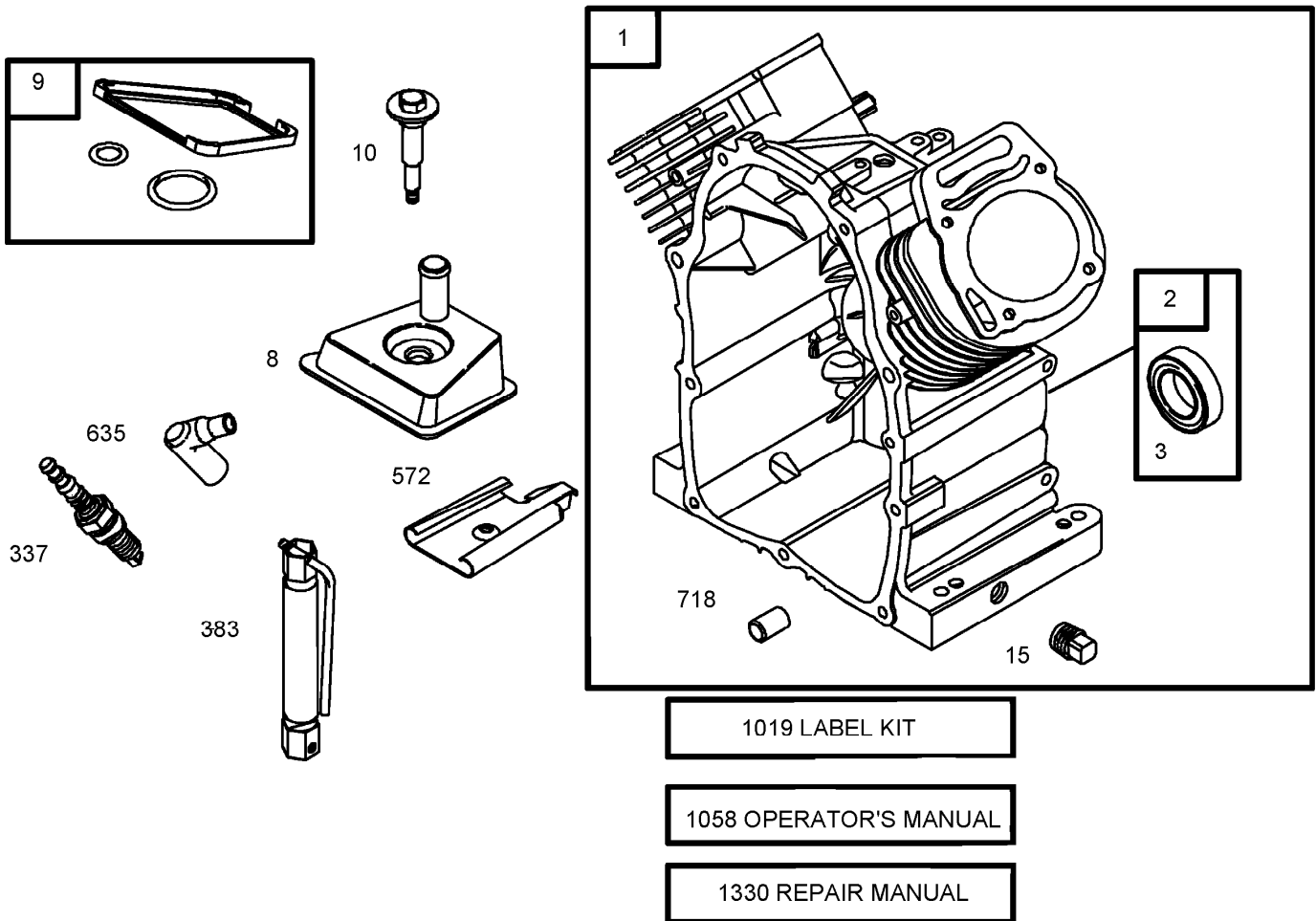
● Not serviced separately



Hydraulic Cylinder Assembly No. 110-1338

<i>Ref.</i>	<i>Part Number</i>	<i>Qty.</i>	<i>Description</i>
1	108-4597	1	Seal Kit
1:1		1	O-Ring ●
1:2		1	O-Ring ●
1:3		1	Ring-Back Up ●
1:4		1	Seal-Psp ●
1:5		1	Seal-Rod ●
1:6		1	Seal-Dust ●

● Not serviced separately

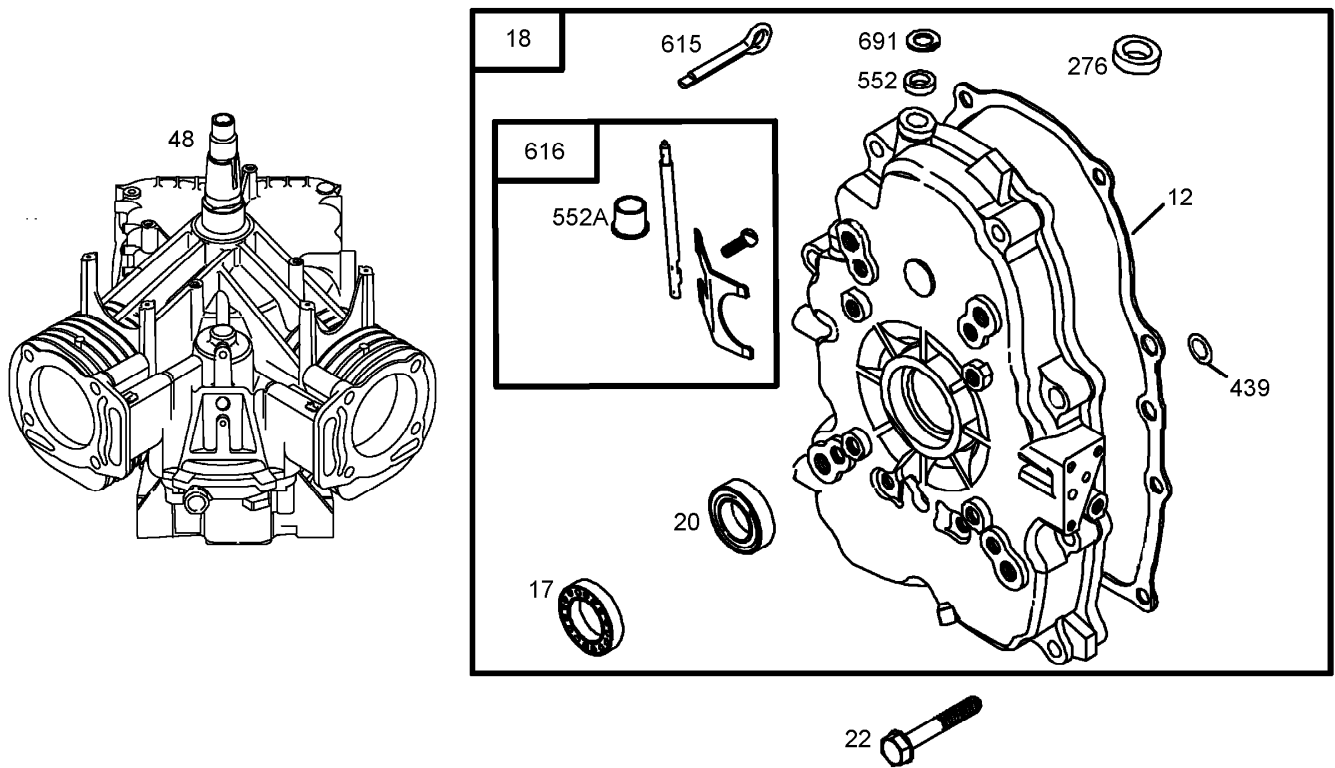


Cylinder Assembly Briggs and Stratton 356447-0179-E1

Ref.	Part Number	Qty.	Description
1	692544	1	Cylinder ASM ●
2	808534	1	Bushing-Seal Kit ●
3	805101	1	Seal-Oil ●■
8	808984	1	Breather ASM ●
9	809094	1	Gasket-Breather ●■
10	690751	1	Screw ●
15	690946	1	Plug-Drain, Oil ●
337	496018	1	Spark Plug ●
383	19374	1	Wrench-Spark Plug ●
572	690686	1	Baffle-Breather ●
635	692076	1	Boot-Spark Plug ●
718	806469	1	Pin-Locating ●
1019	808036	1	Label Kit ●
1058	276343	1	Operator Manual ●
1330	272144	1	Repair Manual ●

● Obtain parts from www.briggsandstratton.com

■ Included in Engine Gasket Set (Ref. No. 358)

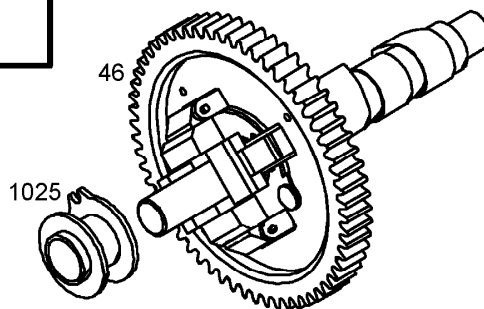
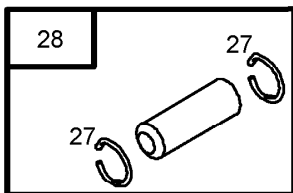
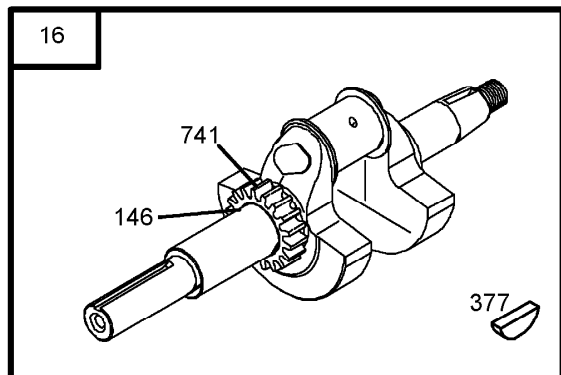
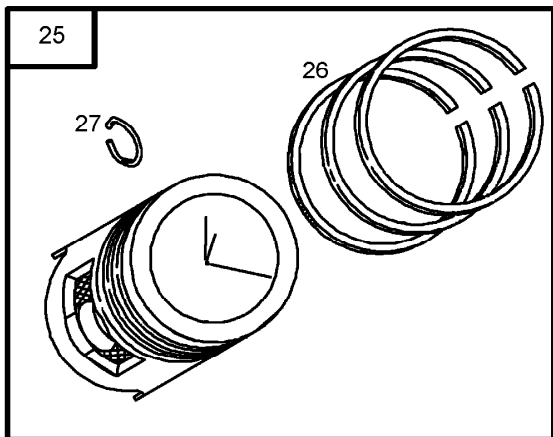
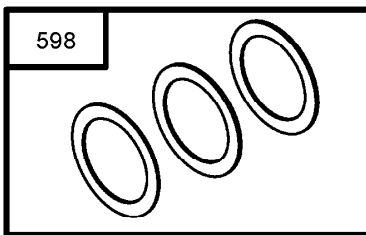
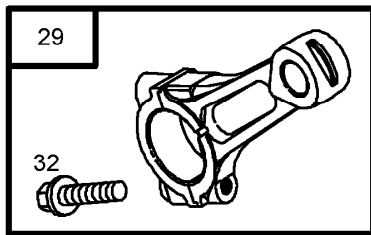


Crankcase Assembly Briggs and Stratton 356447-0179-E1

Ref.	Part Number	Qty.	Description
12	842589	1	Gasket-Crankcase ●■
17	690752	1	Bearing-Ball ●
18	808847	1	Cover-Crankcase ●
20	805049	1	Seal-Oil ●■
22	807362	1	Screw ●
48		1	Short Block (Part No. Not Available At Time Of Printing) ●
276	690724	1	Washer-Sealing ●
439	692154	1	Seal-O Ring ●■
552	690701	1	Bushing-Crank, Governor ●
552A	806686	1	Bushing-Crank, Governor ●
615	691550	1	Retainer-Shaft, Governor ●
616	806685	1	Crank-Governor ●
691	690680	1	Seal-Shaft, Governor ●■

● Obtain parts from www.briggsandstratton.com

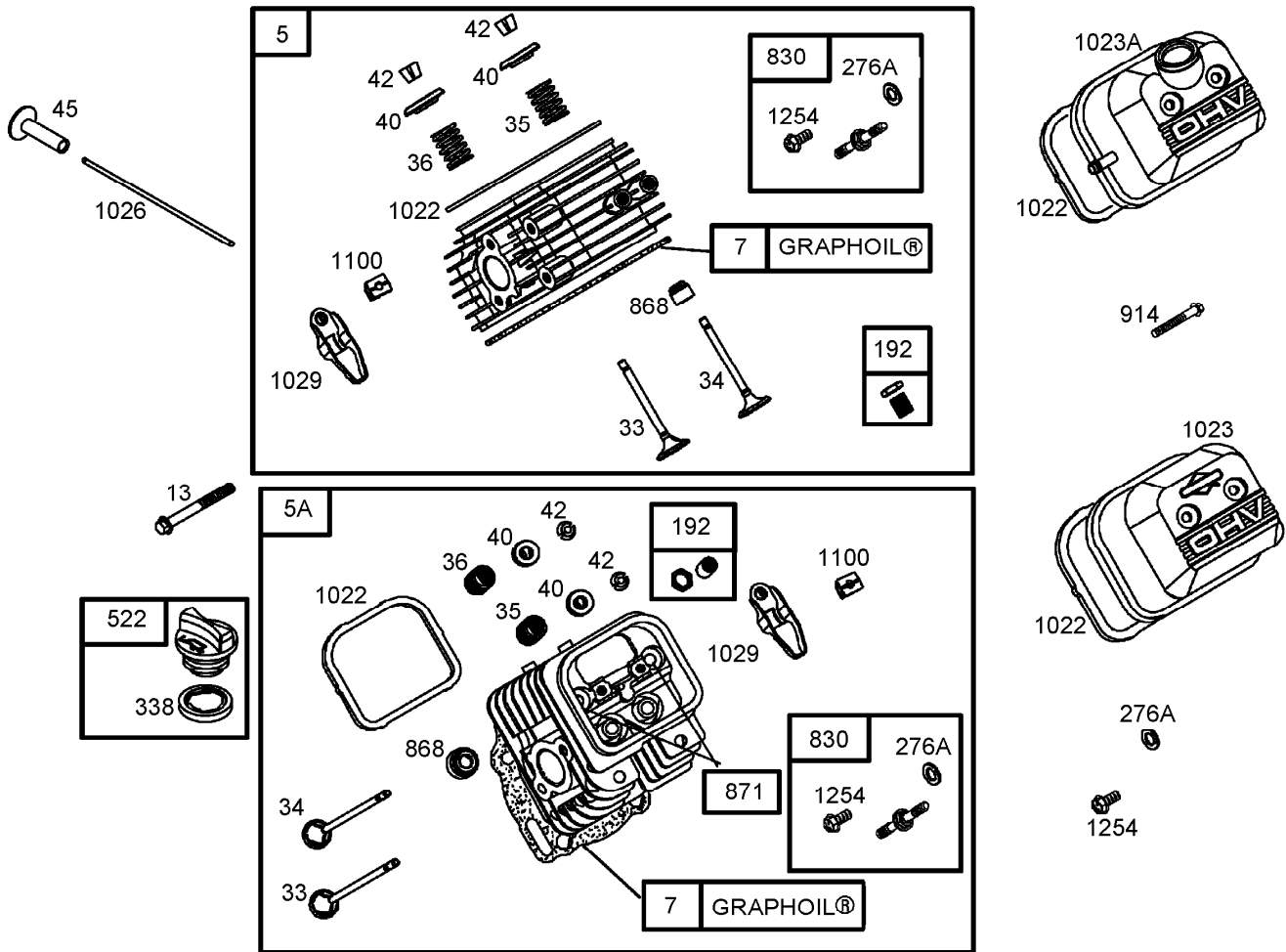
■ Included in Engine Gasket Set (Ref. No. 358)



Crankshaft Assembly Briggs and Stratton 356447-0179-E1

Ref.	Part Number	Qty.	Description
16	809836	1	Crankshaft ●
25	808326	1	Piston ASM (Standard) ●
25	808337	1	Piston ASM (.020 O.S.) ●
26	807889	1	Ring Set (Standard) ●
26	807995	1	Ring Set (.020 O.S.) ●
27	690683	1	Lock-Pin, Piston ●
28	807886	1	Pin-Piston ●
29	807900	1	Rod-Connecting (Standard) ●
29	807803	1	Rod-Connecting (.020 Undersize) ●
32	690698	1	Screw ●
46	691557	1	Camshaft ●
146	691639	1	Key-Timing ●
357	691483	1	Key pulley , Drive ●
377	808095	1	Key-Woodruff ●
598	807625	1	Shim-Play, End ●
741	691530	1	Gear-Timing ●
1025	690689	1	Spool-Governor ●

● Obtain parts from www.briggsandstratton.com

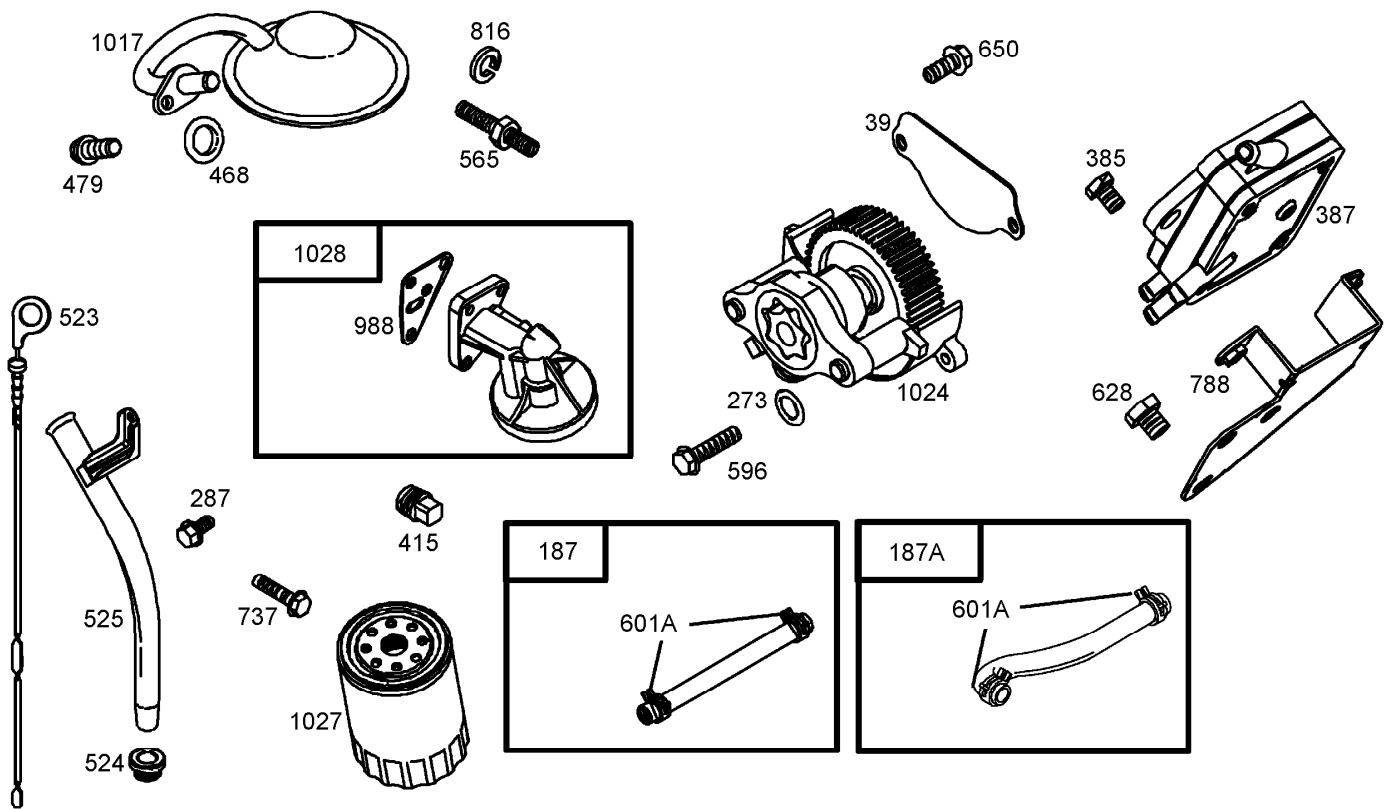


Cylinder Head Assembly Briggs and Stratton 356447-0179-E1

Ref.	Part Number	Qty.	Description	Ref.	Part Number	Qty.	Description
5	809185	1	Cylinder Head (No. 1) ●	522	491832	1	Plug-Fill, Dipstick ●
5A	809186	1	Cylinder Head (No. 2) ●	830	809157	1	Stud-Arm, Rocker ●
7	690888	1	Gasket-Head, Cylinder ●■▲	868	691963	1	Seal-Valve ●■▲
13	692059	1	Screw ●	871	692057	1	Bushing-Guide, Valve ●
33	807681	1	Valve-Exhaust ●	914	807120	1	Screw ●
34	807680	1	Valve-Intake ●	1022	806039	1	Gasket-Cover, Rocker ●■▲
35	692084	1	Spring-Valve ●	1023	691494	1	Cover-Valve ●
36	692084	1	Spring-Valve ●	1023A	690910	1	Cover-Valve ●
40	692058	1	Retainer-Valve ●	1026	691836	1	Rod-Push ●
42	807683	1	Keeper-Valve ●	1026	691758	1	Rod-Push ●
45	690977	1	Tappet-Valve ●	1029	807323	1	Arm-Rocker ●
192	807623	1	Adjuster-Arm, Rocker ●	1100	791959	1	Pivot-Arm, Rocker ●
276A	807085	1	Washer-Sealing ●■▲	1254	807084	1	Screw ●
338	691312	1	Seal-O Ring ●■▲				

● Obtain parts from www.briggsandstratton.com
▲ Included in Valve Gasket Set (Ref. No. 1095)

■ Included in Engine Gasket Set (Ref. No. 358)

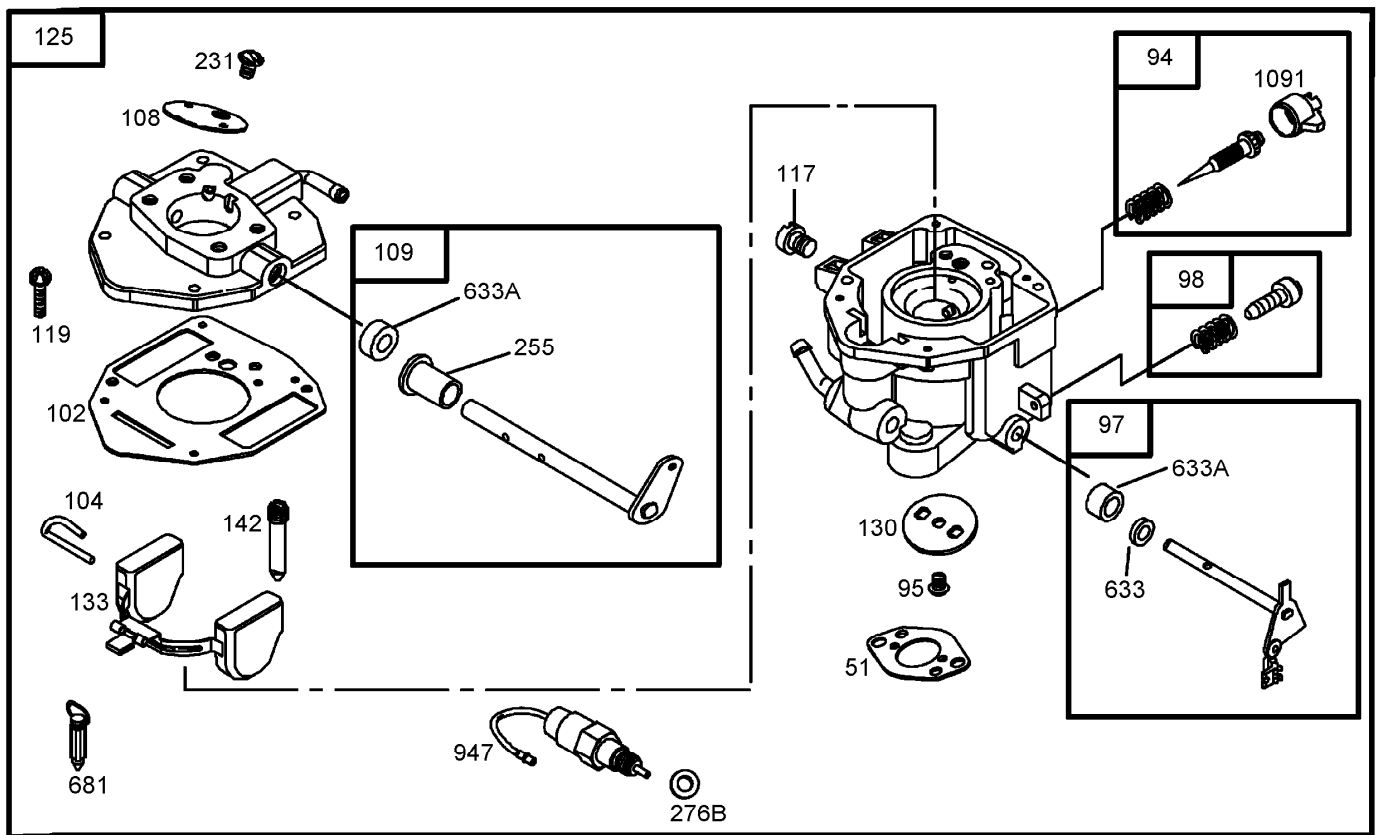


Oil Filter, Tube and Pump Assembly Briggs and Stratton 356447-0179-E1

Ref.	Part Number	Qty.	Description	Ref.	Part Number	Qty.	Description
39	690745	1	Deflector-Oil ●	596	691492	1	Screw ●
187	791766	1	Line-Fuel ●	601A	691038	1	Clamp-Hose ●
187A	791744	1	Line-Fuel ●	628	692062	1	Screw ●
273	690681	1	Seal-O Ring ●■	650	692539	1	Screw ●
287	692062	1	Screw ●	737	690679	1	Screw ●
385	807084	1	Screw ●	788	691559	1	Bracket-Pump, Fuel ●
387	808969	1	Pump-Fuel ●	816	690706	1	Washer ●
415	690283	1	Plug-Oil ●	988	692063	1	Gasket-Adapter, Oil Filter ●■
468	690690	1	Seal-O Ring ●■	1017	690900	1	Screen-Pump, Oil ●
479	807084	1	Screw ●	1024	693185	1	Pump-Oil ●
523	693175	1	Dipstick ●	1027	492932	1	Filter-Oil ●
524	693172	1	Seal-Tube, Dipstick ●■	1028	808235	1	Adapter-Filter, Oil ●
525	693174	1	Tube-Dipstick ●				
565	690682	1	Stud ●				

● Obtain parts from www.briggsandstratton.com

■ Included in Engine Gasket Set (Ref. No. 358)



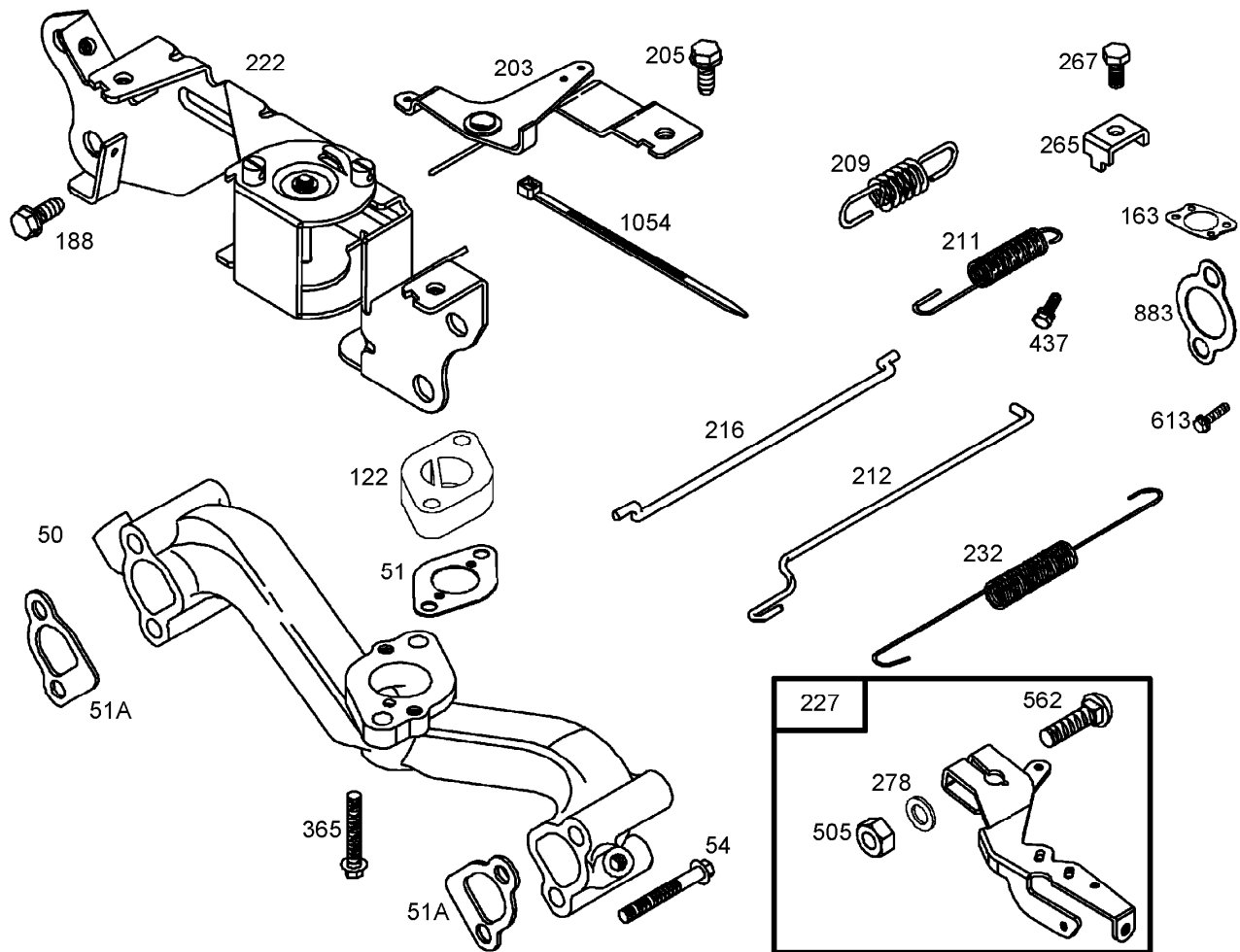
118

Carburetor Assembly Briggs and Stratton 356447-0179-E1

Ref.	Part Number	Qty.	Description
51	691694	1	Gasket-Intake ●■
94	808399	1	Idle Mixture Kit ●▲
95	690718	1	Screw ●
97	842734	1	Shaft-Throttle ●
98	808981	1	Idle Speed Kit ●
102	692077	1	Gasket-Body, Carburetor ●▲
104	690723	1	Pin-Hinge, Float ●▲
108	806134	1	Valve-Choke ●
109	808398	1	Shaft-Choke ●
117	806126	1	Jet-Main ●▲
118	809685	1	Jet-Main (High Altitude) ●
119	690720	1	Screw ●
125	842733	1	Carburetor ●
130	806132	1	Valve-Throttle ●
133	806961	1	Float-Carburetor ●
142	806128	1	Nozzle-Carburetor ●
231	690718	1	Screw ●
255	690721	1	Bushing-Shaft, Choke ●▲
276B	806137	1	Washer-Sealing ●■
633	806131	1	Seal-Shaft, Choke Throttle ●▲
633A	690722	1	Seal-Shaft, Choke Throttle ●▲
681	808798	1	Valve-Needle, Float ●▲
947	692094	1	Solenoid-Fuel ●
1091	691516	1	Cap-Limiter ●▲

● Obtain parts from www.briggsandstratton.com
▲ Included in Carburetor Overhaul Kit (Ref. No. 121)

■ Included in Engine Gasket Set (Ref. No. 358)

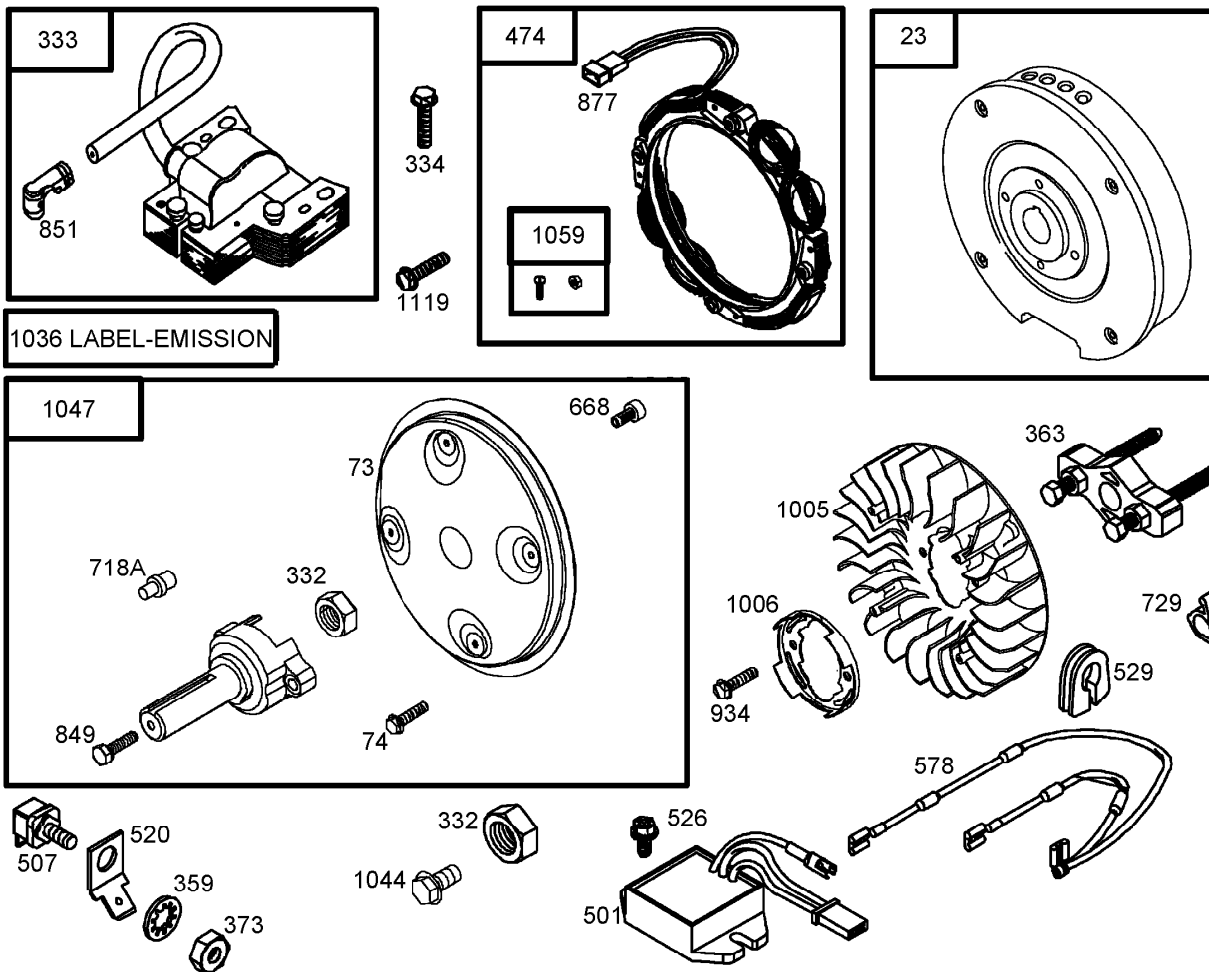


Governor Assembly Briggs and Stratton 356447-0179-E1

Ref.	Part Number	Qty.	Description	Ref.	Part Number	Qty.	Description
50	690754	1	Manifold-Intake ●	222	808454	1	Bracket-Control ●
51	691694	1	Gasket-Intake ●■	227	690236	1	Lever-Control, Governor ●
51A	692035	1	Gasket-Intake ●■▲	232	692073	1	Spring-Link, Governor ●
54	690676	1	Screw ●	265	691024	1	Clamp-Casing ●
122	690691	1	Spacer-Carburetor ●	267	692083	1	Screw ●
163	692081	1	Gasket-Cleaner, Air ●	278	842122	1	Washer ●
188	692056	1	Screw ●	365	690711	1	Screw ●
203	690923	1	Crank-Bell ●	437	691902	1	Screw ●
205	692083	1	Screw ●	505	690238	1	Nut ●
209	692071	1	Spring-Governor ●	562	690239	1	Bolt ●
211	692069	1	Spring-Idle, Governed ●	613	691902	1	Screw ●
212	690712	1	Link-Throttle ●	883	691613	1	Gasket-Exhaust ●■▲
216	690705	1	Link-Choke ●	1054	280275	1	Tie-Cable ●

● Obtain parts from www.briggsandstratton.com
▲ Included in Valve Gasket Set (Ref. No. 1095)

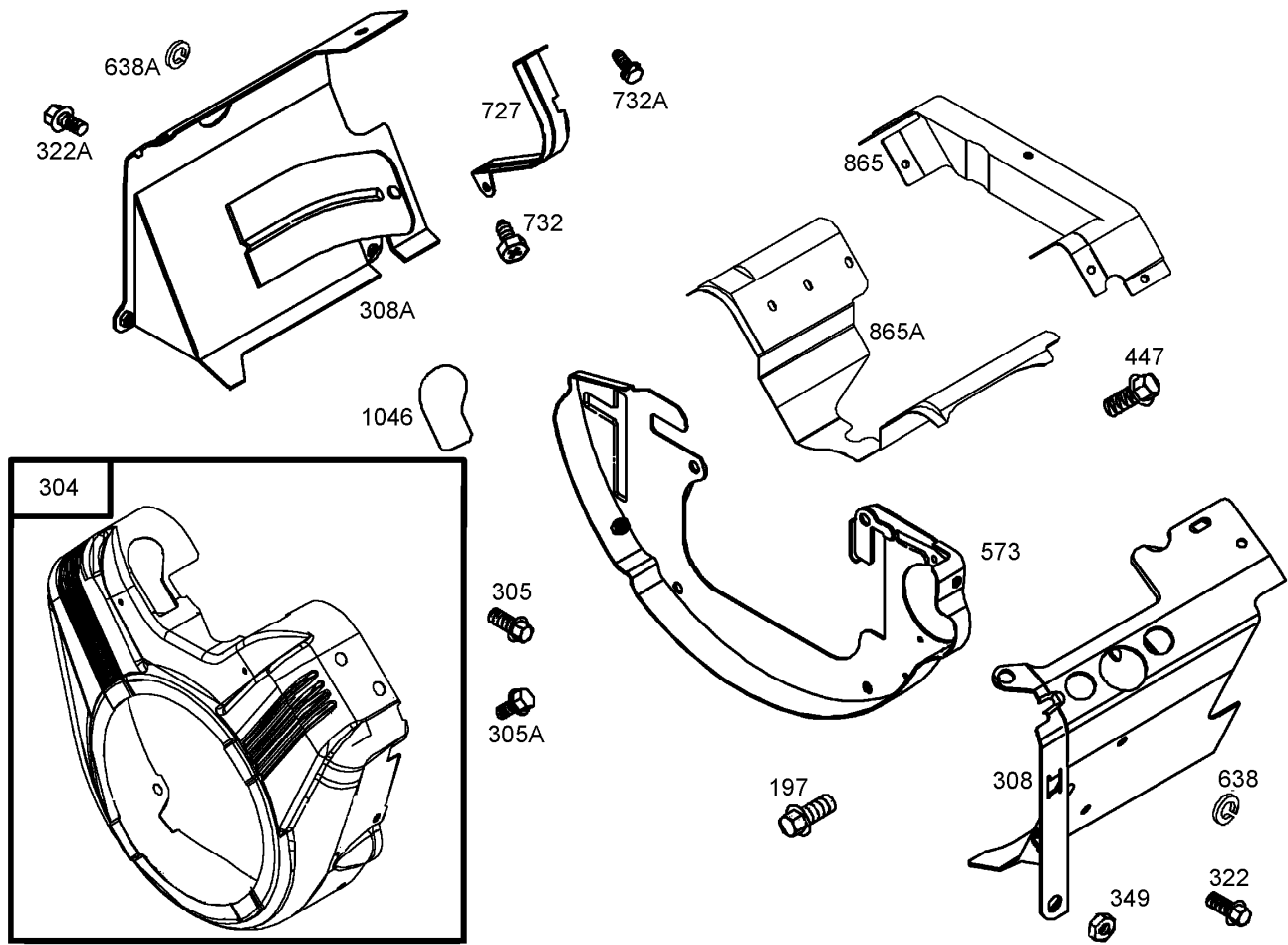
■ Included in Engine Gasket Set (Ref. No. 358)



Flywheel Assembly Briggs and Stratton 356447-0179-E1

Ref.	Part Number	Qty.	Description	Ref.	Part Number	Qty.	Description
23	809236	1	Flywheel ●	668	691500	1	Spacer ●
73	841582	1	Screen-Rotating ●	718A	841581	1	Pin-Locating ●
74	841441	1	Screw ●	729	690586	1	Clip-Wire ●
332	690887	1	Nut ●	849	691088	1	Screw (Stub Shaft) ●
333	492341	1	Armature-Magneto ●	851	493880	1	Terminal-Spark Plug ●
334	692066	1	Screw ●	877	399916	1	Connector-Wire, Alternator ●
359	691077	1	Washer ●	934	691058	1	Screw ●
363	19203	1	Puller-Flywheel ●	1005	841439	1	Fan flywheel ●
373	691612	1	Nut ●	1006	690452	1	Retainer-Fan ●
474	696458	1	Alternator ●	1036	842669	1	Label emission ●
501	691185	1	Regulator ●	1044	692056	1	Screw ●
507	691972	1	Insulator ●	1047	841580	1	Shaft-Stub ●
520	691084	1	Terminal-Ground ●	1059	698516	1	Screw And Washer Kit ●
526	692067	1	Screw ●	1119	691552	1	Screw ●
529	690744	1	Grommet ●				
578	692319	1	Wire ASM ●				

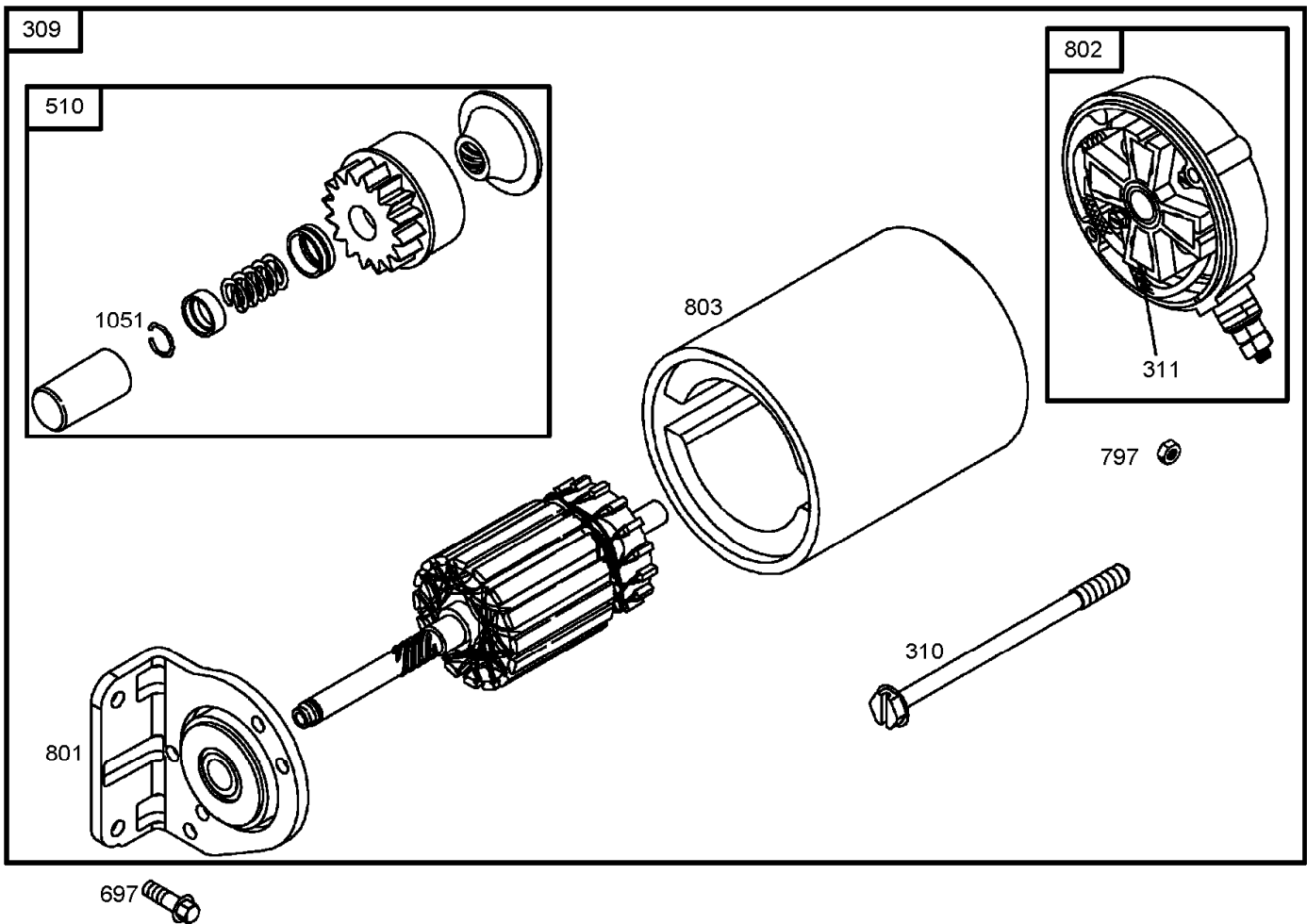
● Obtain parts from www.briggsandstratton.com



Blower Housing Assembly Briggs and Stratton 356447-0179-E1

Ref.	Part Number	Qty.	Description
197	807163	1	Screw ●
304	841397	1	Housing blower ●
305	841233	1	Screw ●
305A	692056	1	Screw ●
308	841317	1	Cover-Head, Cylinder (Cylinder 1) ●
308A	841316	1	Cover-Head, Cylinder (Cylinder 2) ●
322	841233	1	Screw ●
322A	692067	1	Screw ●
349	690238	1	Nut ●
447	841233	1	Screw ●
573	841310	1	Plate back ●
638	690706	1	Washer ●
638A	691551	1	Washer ●
727	841313	1	Cover drive, Starter ●
732	690688	1	Screw ●
732A	841233	1	Screw ●
865	841319	1	Cover-Guide, Air ●
865A	807119	1	Cover-Guide, Air ●
1046	692082	1	Plug-Housing, Blower ●

● Obtain parts from www.briggsandstratton.com

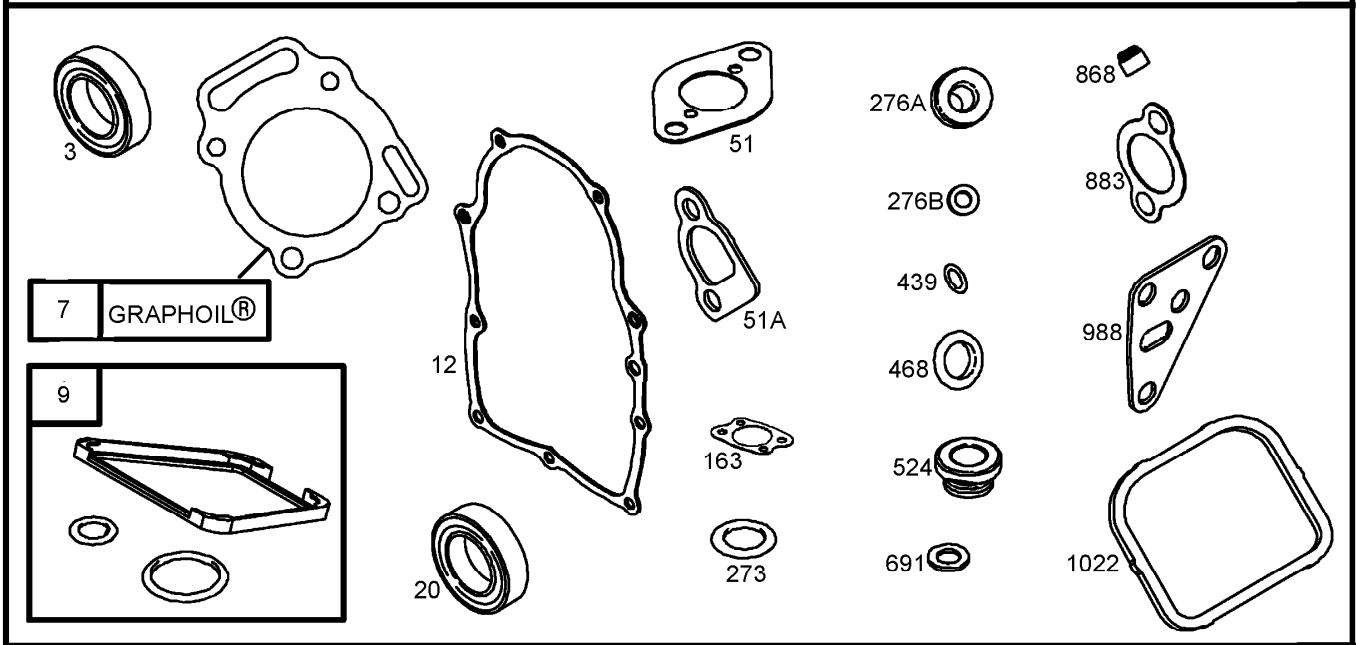


Starter Assembly Briggs and Stratton 356447-0179-E1

Ref.	Part Number	Qty.	Description
309	691564	1	Motor-Starter ●
310	496880	1	Bolt-Thru ●
311	496887	1	Brush Set ●
510	496881	1	Drive-Starter ●
697	692062	1	Screw ●
797	691029	1	Nut ●
801	808778	1	Cap-Drive ●
802	496813	1	Cap-End ●
803	690854	1	Housing-Starter ●
1051	691124	1	Ring-Lock ●

● Obtain parts from www.briggsandstratton.com

358 ENGINE GASKET SET

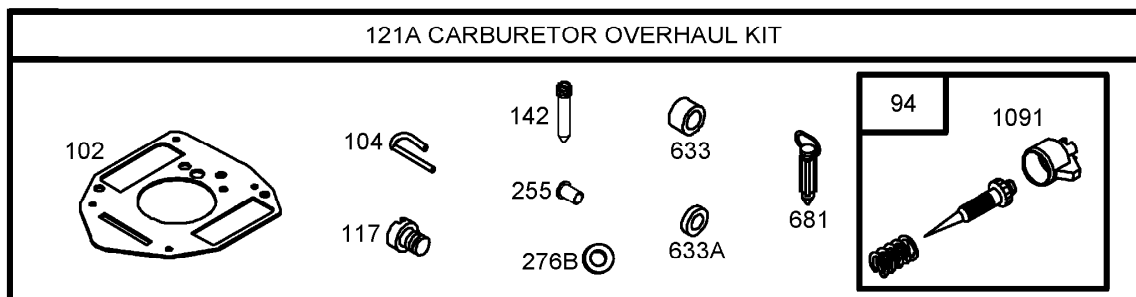
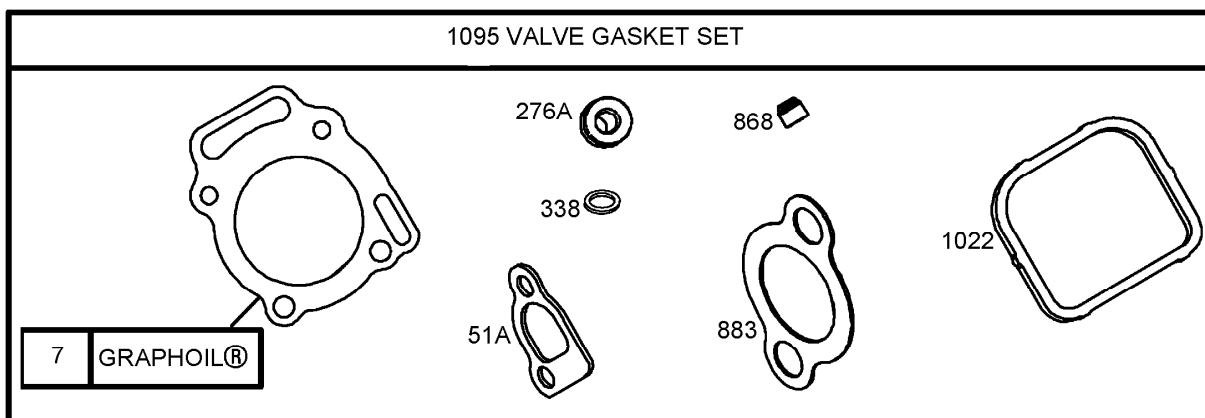


358 Engine Gasket Set Briggs and Stratton 356447-0179-E1

Ref.	Part Number	Qty.	Description
3	805101	1	Seal-Oil ●
7	690888	1	Gasket-Head, Cylinder ●■
9	809094	1	Gasket-Breather ●
12	842589	1	Gasket-Crankcase ●
20	805049	1	Seal-Oil ●
51	691694	1	Gasket-Intake ●
51A	692035	1	Gasket-Intake ●■
163	692081	1	Gasket-Cleaner, Air ●
273	690681	1	Seal-O Ring ●
276A	807085	1	Washer-Sealing ●
276B	806137	1	Washer-Sealing ●
358	841188	1	Engine Gasket Set ●
439	692154	1	Seal-O Ring ●
468	690690	1	Seal-O Ring ●
524	693172	1	Seal-Tube, Dipstick ●
691	690680	1	Seal-Shaft, Governor ●
868	691963	1	Seal-Valve ●■
883	691613	1	Gasket-Exhaust ●■
988	692063	1	Gasket-Adapter, Oil Filter ●
1022	806039	1	Gasket-Cover, Rocker ●■

● Obtain parts from www.briggsandstratton.com

■ Included in Valve Gasket Set (Ref. No. 1095)



1095 Valve Gasket Set and 121A Carburetor Overhaul Kit Briggs and Stratton 356447-0179-E1

Ref.	Part Number	Qty.	Description
7	690888	1	Gasket-Head, Cylinder ●■
51A	692035	1	Gasket-Intake ●■
94	808399	1	Idle Mixture Kit ●
102	692077	1	Gasket-Body, Carburetor ●
104	690723	1	Pin-Hinge, Float ●
117	806126	1	Jet-Main ●
121A	809024	1	Carburetor Overhaul Kit ●
142	806128	1	Nozzle-Carburetor ●
255	690721	1	Bushing-Shaft, Choke ●
276A	807085	1	Washer-Sealing ●■
276B	806137	1	Washer-Sealing ●■
338	691312	1	Seal-O Ring ●■
633	806131	1	Seal-Shaft, Choke Throttle ●
633A	690722	1	Seal-Shaft, Choke Throttle ●
681	808798	1	Valve-Needle, Float ●
868	691963	1	Seal-Valve ●■
883	691613	1	Gasket-Exhaust ●■
1022	806039	1	Gasket-Cover, Rocker ●■
1091	691516	1	Cap-Limiter ●
1095	841191	1	Valve Gasket Set ●

● Obtain parts from www.briggsandstratton.com

■ Included in Engine Gasket Set (Ref. No. 358)

Attachments and Accessories

For 08705 Sand Pro/Infield Pro 5040 Traction Unit

Product Name	Model/Part
Front Lift Frame	08712
Manual Blade.....	08714
Midmount Toolbar System	08731
Tooth Rake	08751
Spring Rake	08752
Rear Broom	08753
Finish Grader	08754
Spiker	08755
Drag Mat Carrier System	08756
Debris Blower	08759
QAS Utility Box	08760
QAS Nail Drag	08761
QAS Bunker Pump	08765
Rear Remote Hydraulic Kit	08781
Front Remote Hydraulics	08782
Screen-Spark Arrestor	104-6540
Yellow Hydraulic Cap	107-1576
Red Gas Cap	107-2173
Light Kit.....	110-1314
Speed Limiter Kit	110-1371
Draw Bar Hitch Assembly	110-1375
Smooth Wheel and Tire ASM.....	112-0034
Drag Mat Assembly	112-1424
Variable Orifice Kit	112-1433
MVP Filter Kit.....	30035
Wheel and Tire Assembly	94-6126

Notes:

Notes:



Count on it.