



**Count on it.**

**Parts Catalog**

**Sand/Infield Pro® 5040 Traction Unit**

Model No. 08705—Serial No. 270000001 and Up



# Ordering Replacement Parts

To order replacement parts, please supply the part number, the quantity, and the description of each part desired.

## Understanding Reference Numbers

Each identified part in an illustration has a reference number. The reference number for a part also appears in the parts list, along with other information about the part.

This catalog uses two special reference number formats, one to indicate parts in a service assembly and another to indicate the quantity of a given part in an illustration.

## Service Assembly Reference Numbers

Parts in service assemblies have reference numbers in the form a:b. The a represents the reference number of the entire service assembly and the b represents a sequential number unique to each part within the service assembly.

For example, a wheel assembly might be identified by reference number 6, the tire by 6:1, the valve by 6:2, and the wheel by 6:3. When you order the assembly identified by reference number 6, you receive all parts identified by reference numbers 6:1, 6:2, and 6:3. However, you may also order any part individually. Reference numbers of this type appear in illustration and in parts lists.

## Reference Numbers Indicating Quantity

In an illustration, if a reference number indicates more than one part, the reference number has the form nX y. The n represents the quantity of the part, the X is the multiplication symbol, and the y represents the reference number.

For example, in an illustration, the reference number 2X 37 means that two of the parts identified by reference number 37 are indicated.

# List of Abbreviations

**AR:** as required

**ASM:** assembly

**BBC:** blade brake control

**BHTF:** button head thread forming

**CARR:** carriage

**CCW:** counter clockwise

**CW:** clockwise

**DEG:** degrees

**DPA:** Dual Point Adjustment

**ECM:** electronic control module

**EXT:** external

**FH:** flat head

**GA:** gauge

**HD:** heavy-duty

**HF:** hex flange

**HH:** hex head

**HHF:** hex head flange

**HHFTF:** hex head flange thread forming

**HJ:** hex jam

**HLH:** hex lag head

**HOC:** height-of-cut

**HSBH:** hex socket button head

**HSFH:** hex socket flat head

**HSH:** hex socket head

**HWH:** hex washer head

**HWHTF:** hex washer head thread forming

**HYD:** hydraulic

**LH:** left hand

**LPG:** Liquid Propane Gas

**NI:** nylon insert

**NPTF:** national pipe thread fine

**PFH:** phillips flat head

**PPH:** phillips pan head

**PPHTF:** phillips pan head thread forming

**PRH:** phillips round head

**PTH:** phillips truss head

**PTO:** power-take-off

**RH:** right hand

**ROPS:** roll-over protection system

**RRB:** rear roller brush

**SFH:** slotted fillister head

**SHH:** slotted hex head

**SHWH:** slotted hex washer head

**SPH:** slotted pan head

**SQH:** square head

**SRH:** slotted round head

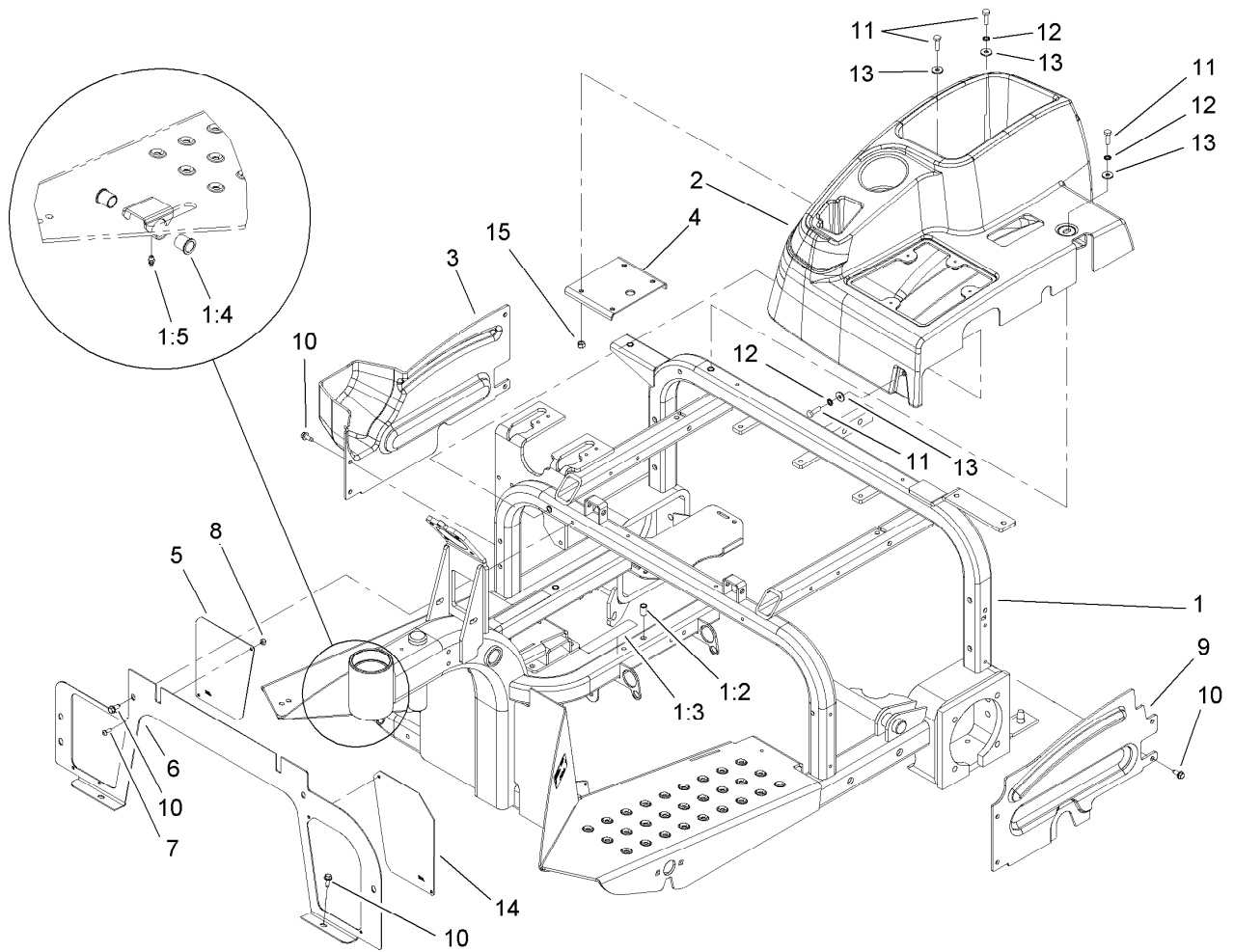
**STD:** standard

**TAP:** self tapping

**TTH:** torx truss head

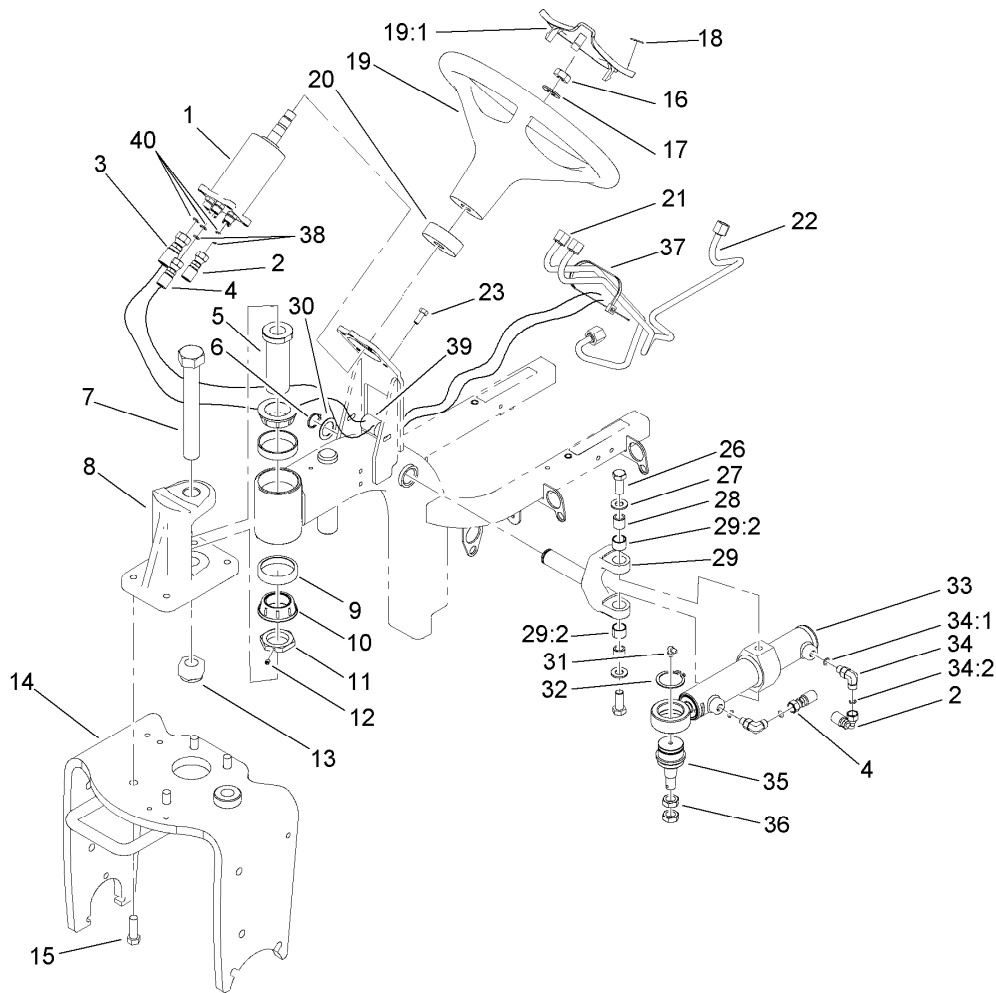
# Contents

Frame and Console Assembly .....	4
Steering Assembly .....	5
Steering Valve Assembly No. 108-2924 .....	6
Hydraulic Cylinder Assembly No. 107-3528 .....	7
Fuel Tank and Battery Assembly .....	8
Front Wheel Assembly .....	9
Hydraulic Motor Assembly No. 108-2948 .....	11
Rear Wheel Assembly .....	12
Hydraulic Motor Assembly No. 108-2949 .....	13
Hydraulic Motor Assembly No. 108-2947 .....	14
Traction Pedal Assembly .....	15
Pump Control Lever Assembly .....	16
Engine Installation Assembly .....	17
Pump and Coupling Assembly .....	18
Variable Piston Pump Assembly No. 108-2934 .....	19
Hydraulic Tank, Filter and Cooler Assembly .....	21
Lift Valve and Rear Tube Assembly .....	22
Valve Assembly No. 43-1710-01 .....	23
Seat and Shroud Assembly .....	24
Wire Harness, Air Cleaner and Hose Assembly .....	25
Air Cleaner Assembly No. 93-2190 .....	26
Rear Hitch Assembly .....	27
Hydraulic Cylinder Assembly No. 110-1338 .....	28
Cylinder Assembly Briggs and Stratton 356447-0179-E1 .....	29
Crankcase Assembly Briggs and Stratton 356447-0179-E1 .....	30
Crankshaft Assembly Briggs and Stratton 356447-0179-E1 .....	31
Cylinder Head Assembly Briggs and Stratton 356447-0179-E1 .....	32
Oil Filter, Tube and Pump Assembly Briggs and Stratton 356447-0179-E1 .....	33
Carburetor Assembly Briggs and Stratton 356447-0179-E1 .....	34
Governor Assembly Briggs and Stratton 356447-0179-E1 .....	35
Flywheel Assembly Briggs and Stratton 356447-0179-E1 .....	36
Blower Housing Assembly Briggs and Stratton 356447-0179-E1 .....	37
Starter Assembly Briggs and Stratton 356447-0179-E1 .....	38
358 Engine Gasket Set Briggs and Stratton 356447-0179-E1 .....	39
1095 Valve Gasket Set and 121A Carburetor Overhaul Kit Briggs and Stratton 356447-0179-E1 .....	40
Attachments and Accessories .....	41



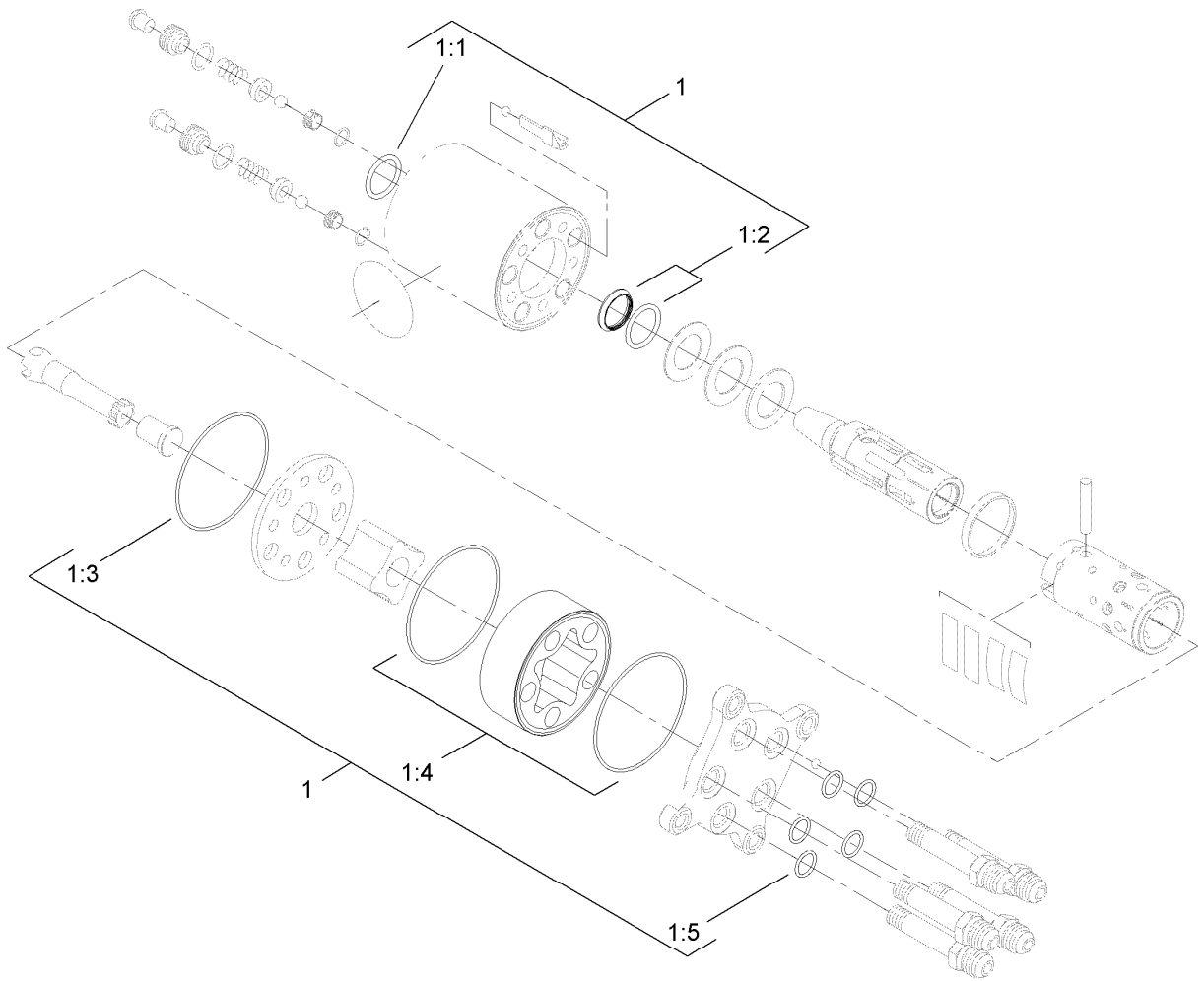
## Frame and Console Assembly

<i>Ref.</i>	<i>Part Number</i>	<i>Qty.</i>	<i>Description</i>
1	110-3367	1	Frame ASM
1:2	32148-11	5	Insert-Threaded
1:3	93-7272	2	Decal-Warning
1:4	256-219	2	Bushing
1:5	302-58	1	Fitting-Straight
2	108-2936	1	Console
3	108-6855	1	Shroud-Wheel, RH
4	108-7995-03	1	Plate-Support, Console
5	108-6854-01	1	Screen-Shroud
6	112-1443-01	1	Panel-Front
7	3290-321	4	Screw-HWH
8	3296-2	4	Nut-Lock, NI
9	108-6856	1	Shroud-Wheel, LH
10	32144-10	12	Screw-HWH
11	321-5	7	Screw-HH
12	3254-8	3	Washer-Lock
13	3256-78	7	Washer-Flat
14	108-7907-01	1	Screen-Panel, LH
15	32128-33	4	Nut-HF



## Steering Assembly

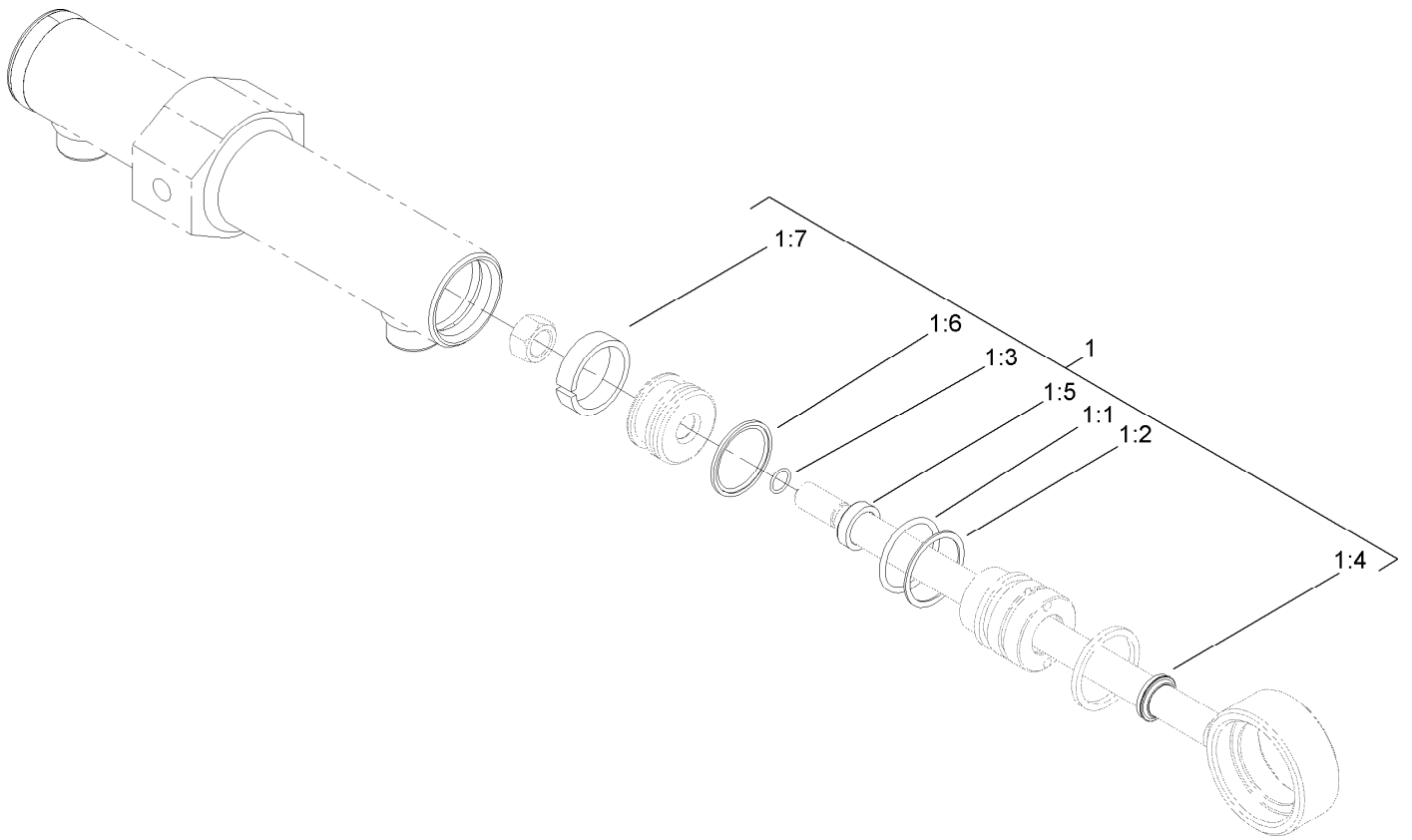
Ref.	Part Number	Qty.	Description	Ref.	Part Number	Qty.	Description
1	108-2924	1	Valve-Steering	21	108-8414	1	Tube ASM
2	105-4347	1	HYD Hose ASM	22	108-8415	1	Tube ASM
3	93-5385	1	Hose ASM	23	33114-020	4	Screw-HH
4	108-6508	1	HYD Hose ASM	26	3213-2	2	Screw-HH
5	108-8470	1	Sleeve-Steering	27	3256-26	2	Washer-Flat
6	32151-36	1	Ring-Retaining	28	108-8483	2	Spacer-Plain
7	3216-16	1	Screw-HH	29	108-8481	1	Yoke And Bushing ASM
8	108-5431	1	Pivot-Steering	29:2	108-8482	2	Bushing-Sleeve
9	107-7590	2	Cup-Bearing	30	3256-42	1	Washer-Flat
10	107-7589	2	Cone-Bearing (W/ Seal)	31	302-40	1	Fitting-Grease
11	108-8471	1	Nut-Steering	32	32151-104	1	Ring-Retaining, External
12	3245-1	1	Screw-Set, HSH	33	107-3528	1	Hydraulic Cylinder ASM
13	104-2024	1	Nut-Hex, NI	34	340-132	2	Fitting-HYD, 90 DEG
14	108-0573-01	1	Castor Fork ASM	34:1	237-78	1	O-Ring
15	325-6	4	Screw-HH	34:2	237-21	1	O-Ring
16	3296-33	1	Nut-Lock, NI	35	106-6774	1	Joint-Ball
17	3256-27	1	Washer-Flat	36	3220-6	2	Nut-Jam
18	98-1459	1	Decal	37	3290-379	1	Tie-Cable
19	98-1471	1	Wheel-Steering	38	237-21	2	O-Ring
19:1	98-1468	1	Cover-Wheel, Steering	39	38-3400	2	Guard-Rubber
20	108-7998	1	Collar-Foam	40	237-22	3	O-Ring



## Steering Valve Assembly No. 108-2924

<i>Ref.</i>	<i>Part Number</i>	<i>Qty.</i>	<i>Description</i>
1	106-6716	1	Seal Kit
1:1		1	Ring-Seal, Dust ●
1:2		1	Seal-Shaft ●
1:3		1	O-Ring ●
1:4		2	O-Ring ●
1:5		5	O-Ring ●

● Not serviced separately



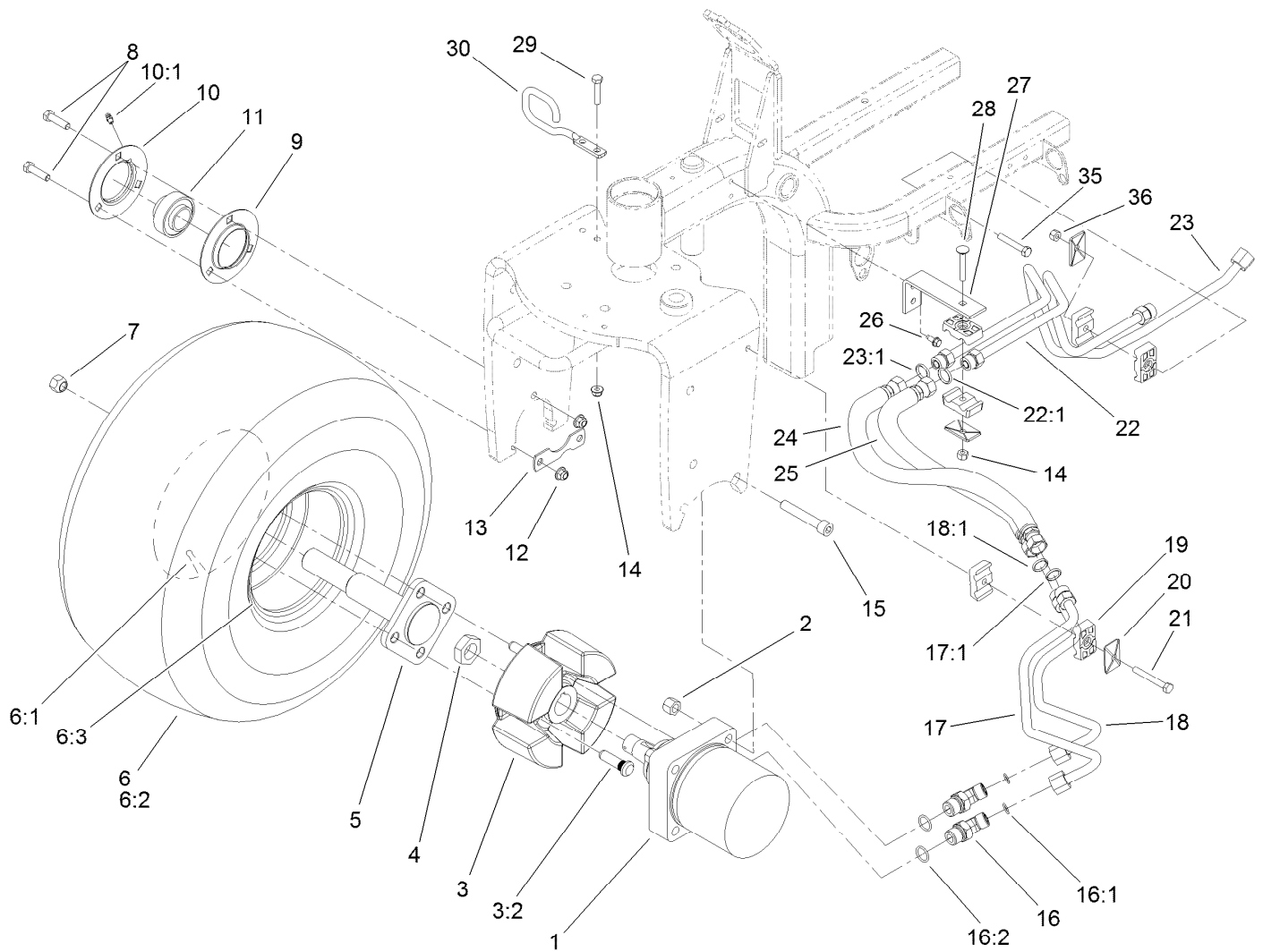
## Hydraulic Cylinder Assembly No. 107-3528

<i>Ref.</i>	<i>Part Number</i>	<i>Qty.</i>	<i>Description</i>
1	107-1977	1	Seal Kit
1:1		1	O-Ring ●
1:2		1	O-Ring ●
1:3		1	Seal ●
1:4		1	Back-Up ●
1:5		1	Wiper ●
1:6		1	Seal W/O-Ring ●
1:7		1	Ring-Wear ●

● Not serviced separately

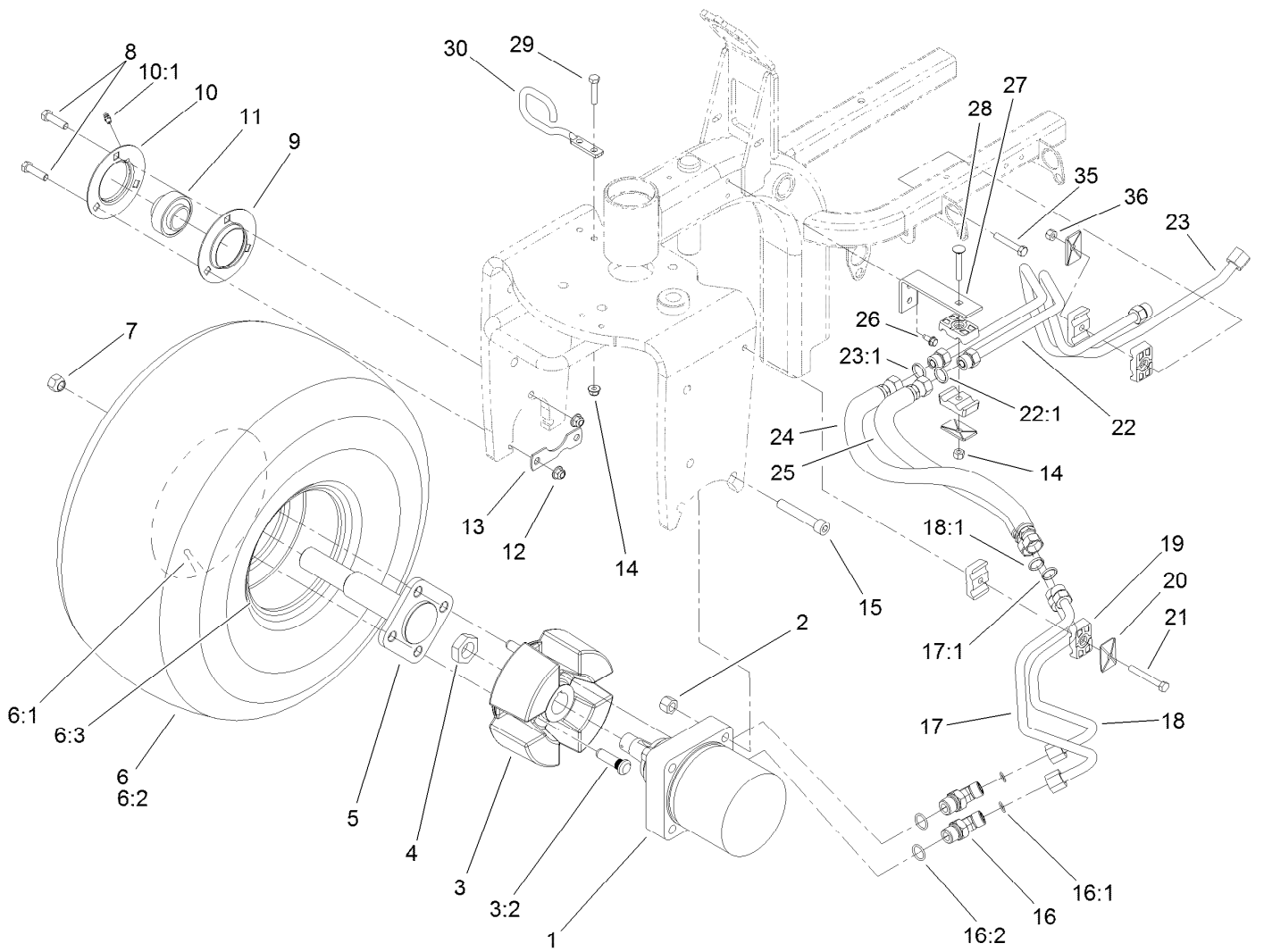






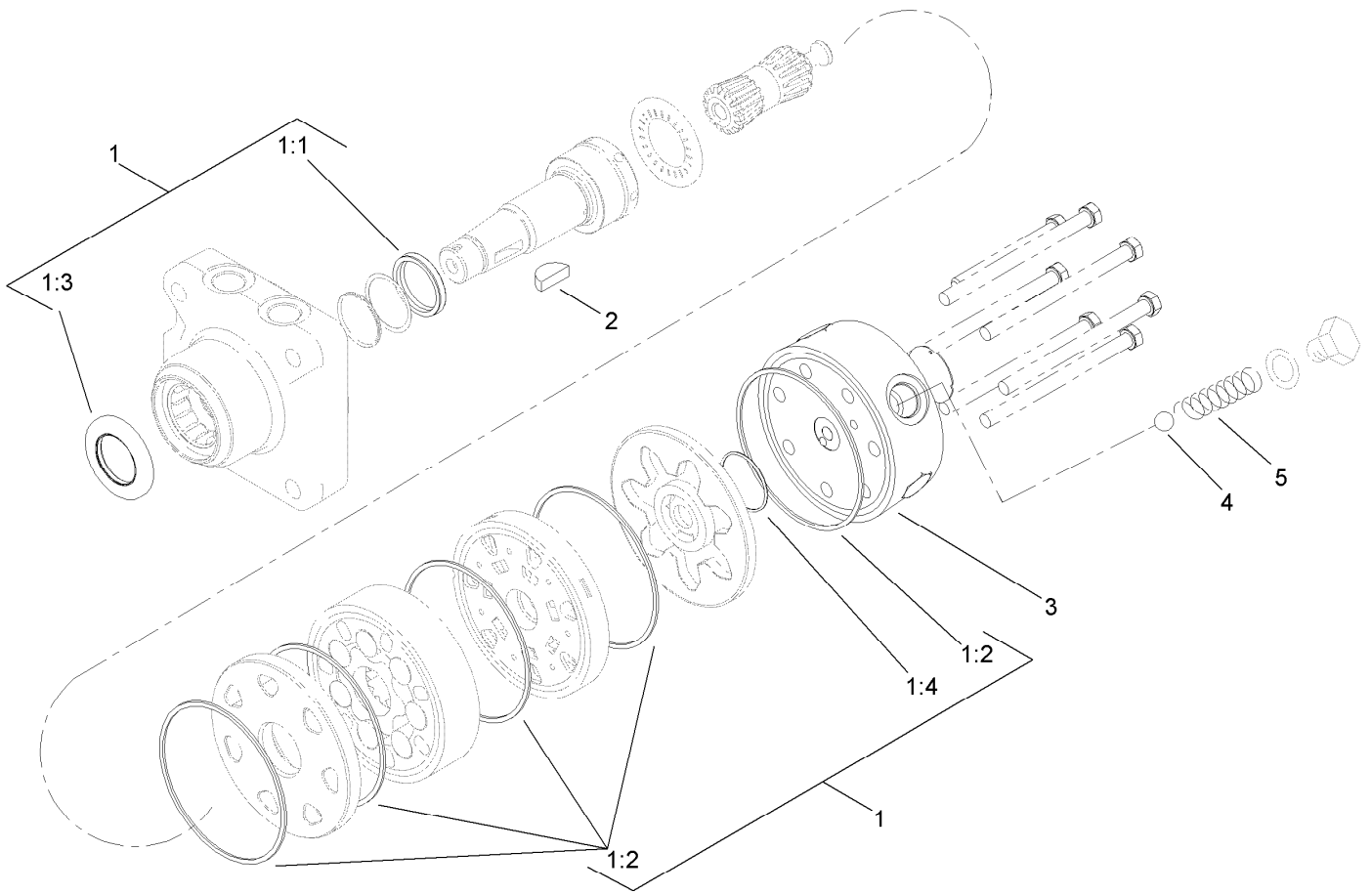
## Front Wheel Assembly

Ref.	Part Number	Qty.	Description	Ref.	Part Number	Qty.	Description
1	108-2948	1	HYD Motor ASM (CW)	16:1	237-30	1	O-Ring
2	3296-23	2	Nut-Lock, NI	16:2	237-80	1	O-Ring
3	110-6310	1	Front Wheel Hub ASM	17	108-8432	1	Tube ASM
3:2	10-6830	4	Stud-Type, Drive	17:1	237-30	1	O-Ring
4	26-3790	1	Nut-Lock	18	108-8431	1	Tube ASM
5	110-6314	1	Spindle	18:1	237-30	1	O-Ring
6	95-0621	1	Wheel And Tire ASM	19	56-7976	6	Clamp-Tube
6:1	232-35	1	Valve Stem And Cap ASM	20	69-9760	3	Coverplate
6:2	85-8290	1	Tire-2Ply, Knobby	21	322-12	1	Screw-HH
6:3	94-6116	1	Wheel-Rear	22	108-8411	1	Tube ASM
7	242-50	4	Nut-Lug	22:1	237-30	2	O-Ring
8	323-8	3	Screw-HH	23	108-8409	1	Tube ASM
9	85-8950	1	Flangette-Standard	23:1	237-30	1	O-Ring
10	85-8940	1	Flangette-Relube	24	108-8433	1	HYD Hose ASM
10:1	302-5	1	Fitting-Grease	25	110-6303	1	HYD Hose ASM
11	251-352	1	Bearing	26	32144-14	2	Screw-HWHTF
12	104-8301	3	Nut-Flange, NI	27	108-8455-01	1	Bracket-Clamp
13	88-8350	1	Tab-Bearing	28	3230-6	1	Screw-CARR
14	104-8300	3	Nut-Flange, NI	29	322-7	2	Screw-HH
15	3274-74	2	Screw-HSH	30	108-8435	1	Guide-Hose
16	340-89	2	Fitting-HYD, 45 DEG				



## Front Wheel Assembly (continued)

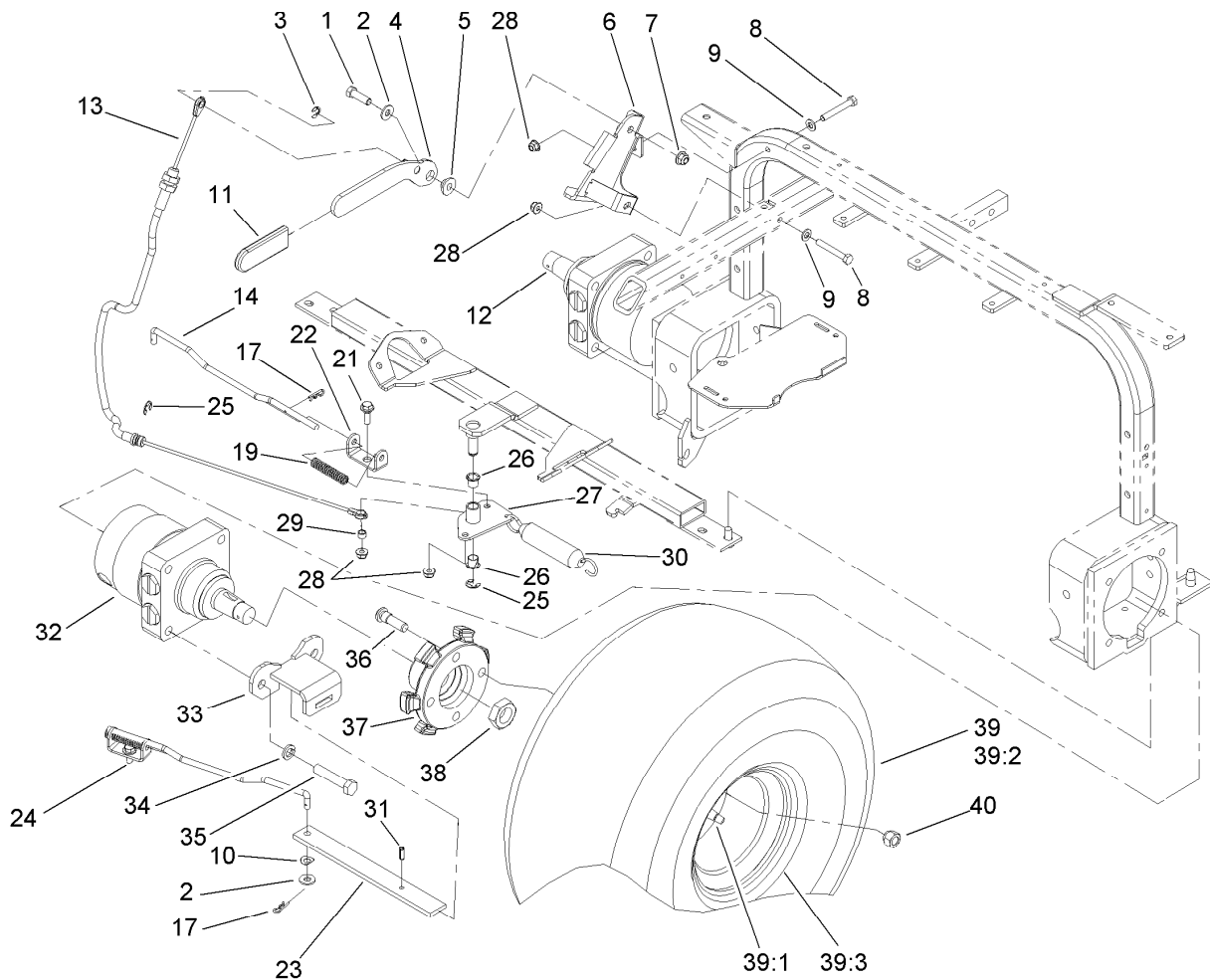
<i>Ref.</i>	<i>Part Number</i>	<i>Qty.</i>	<i>Description</i>
35	322-10	1	Screw-HH
36	3296-29	2	Nut-Lock, NI



## Hydraulic Motor Assembly No. 108-2948

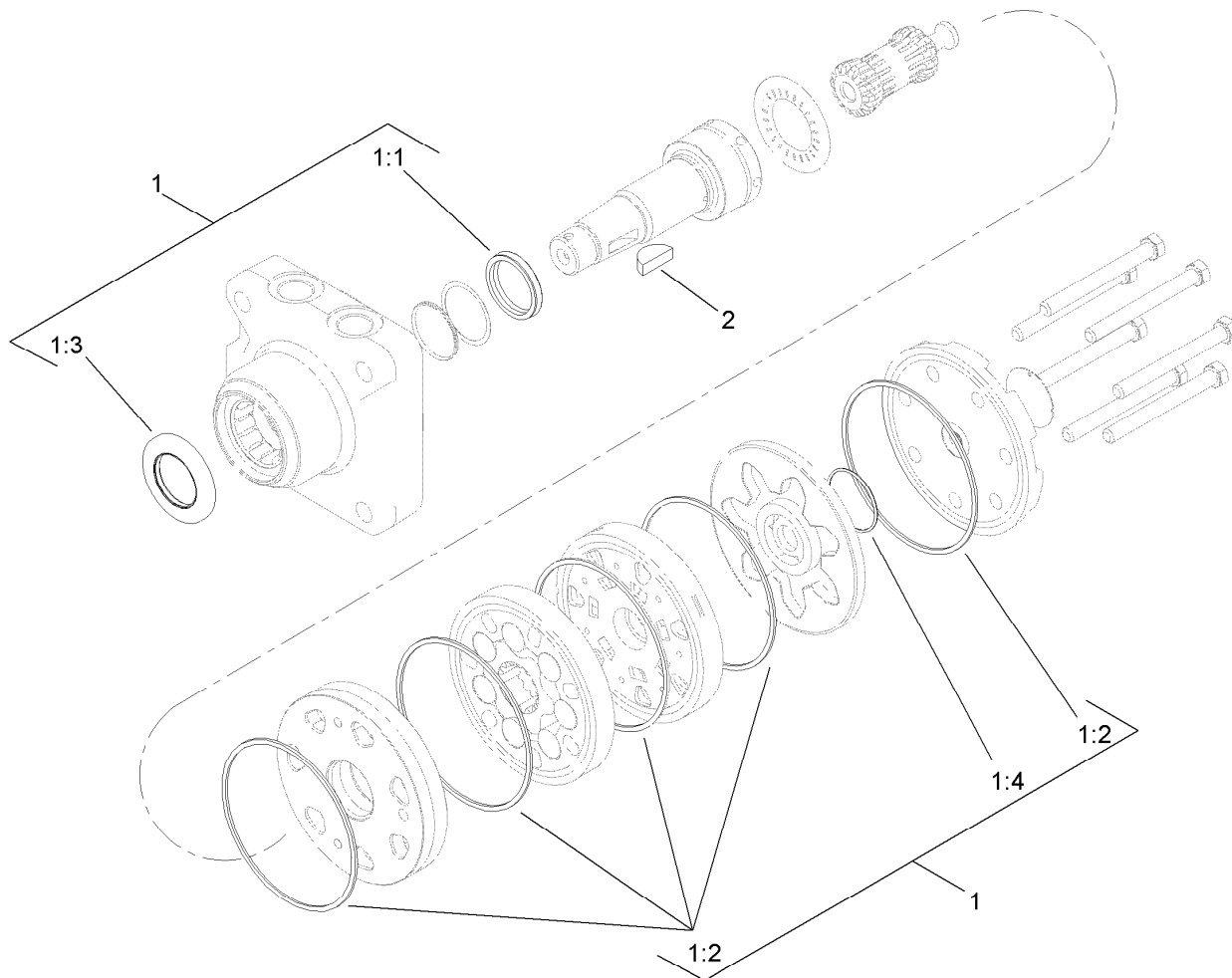
<i>Ref.</i>	<i>Part Number</i>	<i>Qty.</i>	<i>Description</i>
1	110-6459	1	Seal Kit
1:1		1	Seal-Shaft ●
1:2		5	Seal-Body ●
1:3		1	Seal-Dirt / Water ●
1:4		1	Seal-Commutator ●
2	3257-42	1	Key-Woodruff
3	99-3538	1	End Cover ASM
4	99-3540	1	Ball
5	99-3541	1	Spring

● Not serviced separately



## Rear Wheel Assembly

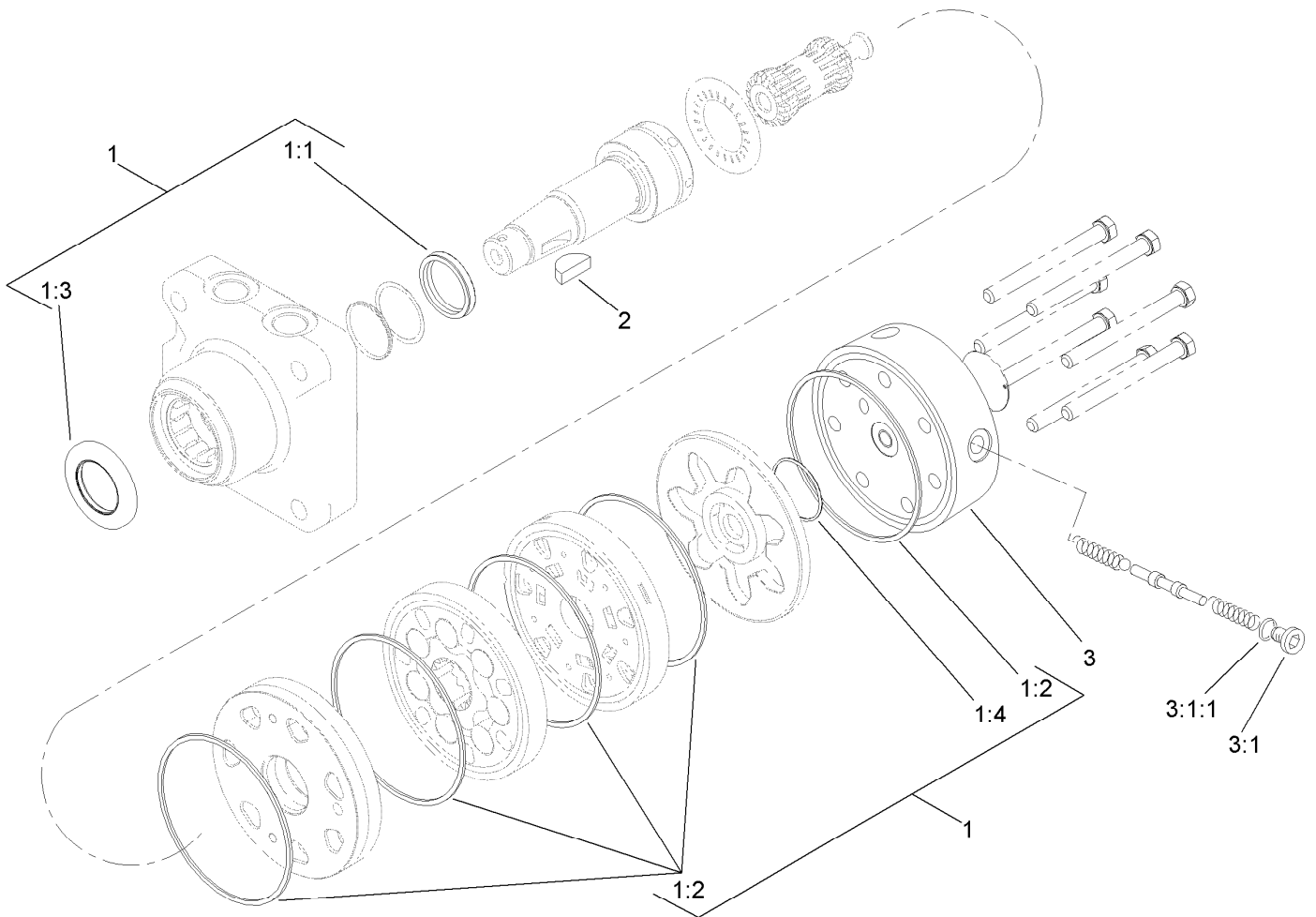
Ref.	Part Number	Qty.	Description	Ref.	Part Number	Qty.	Description
1	323-7	1	Screw-HH	25	32120-47	2	Ring-Retaining, External
2	3256-3	3	Washer-Flat	26	256-257	2	Bushing-Nyliner
3	32151-47	1	Ring-Retaining	27	108-7979-03	1	Bellcrank ASM
4	108-7991-03	1	Brake Lever ASM	28	104-8300	4	Nut-Flange, NI
5	108-7994	1	Bushing-Pivot, Lever	29	108-7983	1	Bushing-Cable
6	108-7988-03	1	Brake Lever Bracket ASM	30	66-4270	1	Spring-Extension
7	104-8301	1	Nut-Flange, NI	31	32121-11	2	Pin-Roll
8	322-11	2	Screw-HH	32	108-2947	1	HYD Motor ASM (CCW)
9	3256-23	2	Washer-Flat	33	108-7973-03	2	Brake Bracket ASM
10	3290-301	2	Washer-Spring	34	3253-7	8	Washer-Lock
11	21-1880	1	Grip-Handle	35	325-10	8	Screw-HH
12	108-2949	1	HYD Motor ASM (CW)	36	85-6540	8	Stud-Drive
13	108-7913	1	Cable-Brake, Park	37	108-7977-03	2	Hub-Wheel
14	108-7987	2	Link-Latch, Parking	38	26-3790	2	Nut-Lock
17	3290-307	4	Pin-Hair	39	95-0621	2	Wheel And Tire ASM
19	107-3376	2	Spring-Compression	39:1	232-35	1	Valve Stem And Cap ASM
21	19-1471	1	Screw-Shoulder	39:2	85-8290	1	Tire-2Ply, Knobby
22	106-8890	2	Clevis-Latch, Parking	39:3	94-6116	1	Wheel-Rear
23	108-7986-03	2	Bar-Brake	40	242-50	8	Nut-Lug
24	19-1470	1	Screw-Shoulder				



## Hydraulic Motor Assembly No. 108-2949

<i>Ref.</i>	<i>Part Number</i>	<i>Qty.</i>	<i>Description</i>
1	110-6459	1	Seal Kit
1:1		1	Seal-Shaft ●
1:2		5	Seal-Body ●
1:3		1	Seal-Dirt / Water ●
1:4		1	Seal-Commutator ●
2	3257-42	1	Key-Woodruff

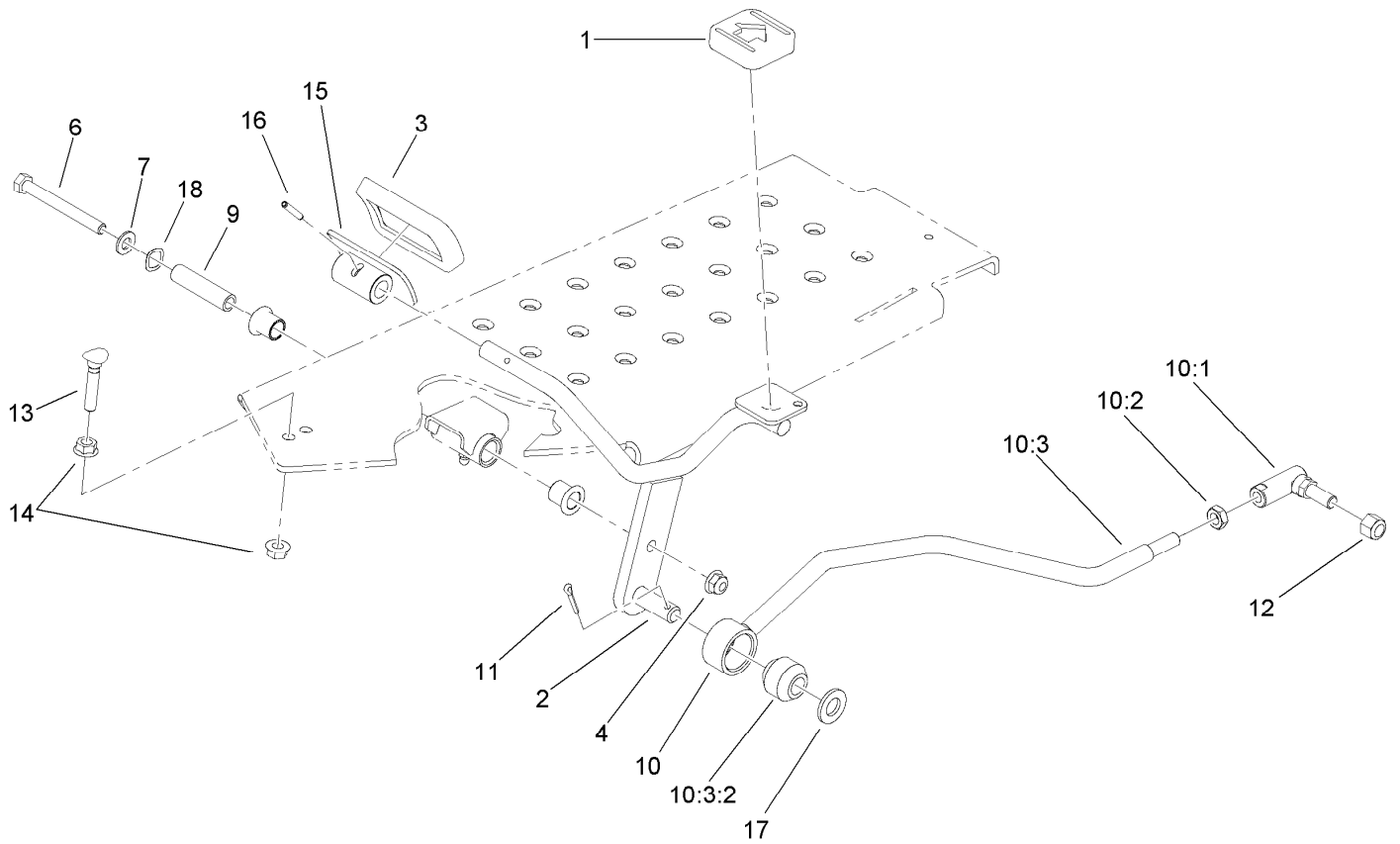
● Not serviced separately



## Hydraulic Motor Assembly No. 108-2947

<i>Ref.</i>	<i>Part Number</i>	<i>Qty.</i>	<i>Description</i>
1	110-6459	1	Seal Kit
1:1		1	Seal-Shaft ●
1:2		5	Seal-Body ●
1:3		1	Seal-Dirt / Water ●
1:4		1	Seal-Commutator ●
2	3257-42	1	Key-Woodruff
3	110-3381	1	End Cover ASM
3:1	353-990	1	Plug
3:1:1	237-78	1	O-Ring

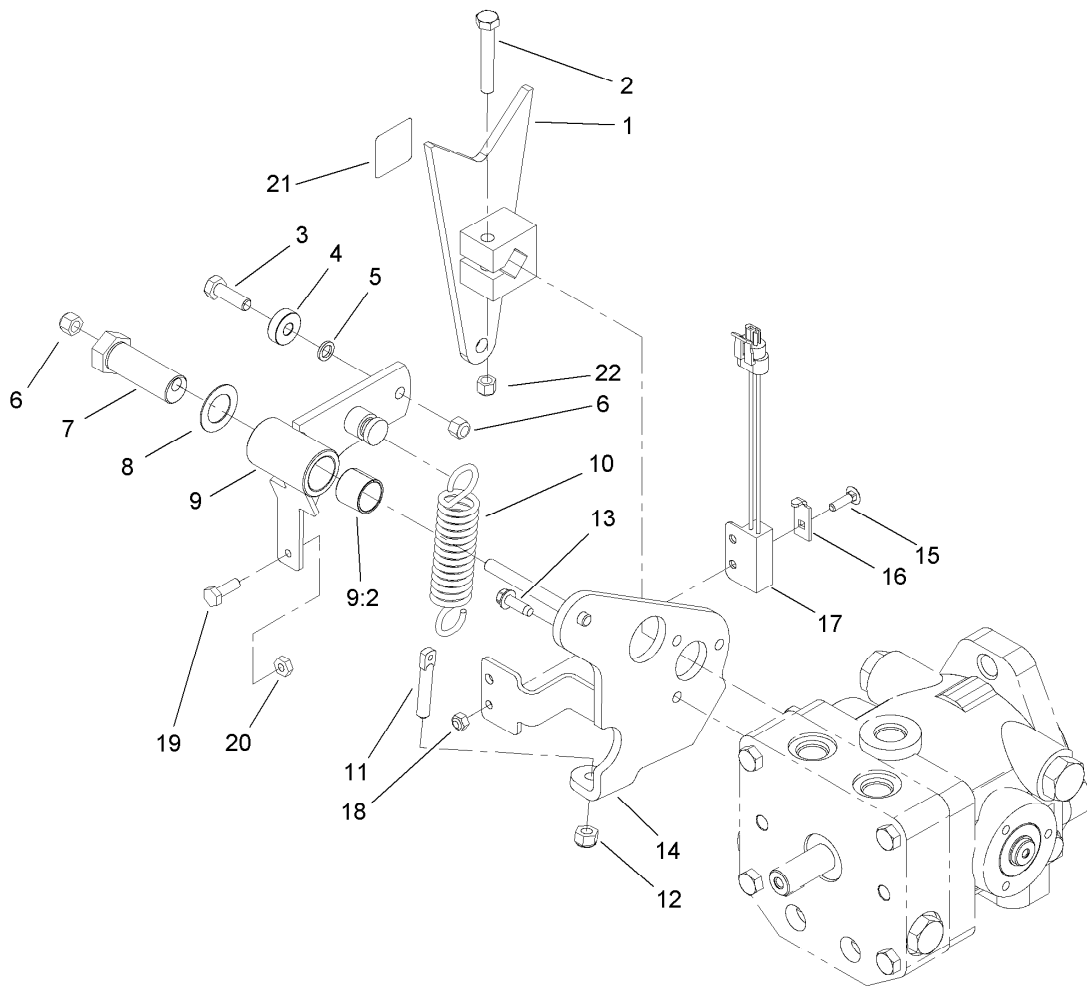
● Not serviced separately



## Traction Pedal Assembly

Ref.	Part Number	Qty.	Description
1	74-9110	1	Pad-Pedal, Reverse
2	108-5498-01	1	Pedal ASM
3	74-9100	1	Pad-Pedal, Forward
4	104-8300	1	Nut-Flange, NI
6	322-14	1	Screw-HH
7	3256-23	1	Washer-Flat
9	85-8960	1	Spacer
10		1	Traction Rod ASM ●
10:1	68-3840	1	Joint-Ball, RH Threaded
10:2	3220-3	1	Nut-HJ
10:3	110-8160	1	Rod ASM
10:3:2	23-2270	1	Bushing-Rubber
11	3272-10	1	Pin-Cotter
12	3296-6	1	Nut-Lock
13	17-9420	1	Screw-Handle
14	32128-20	2	Nut-HF
15	49-6440-03	1	Pedal-Forward
16	32121-45	1	Pin-Spring
17	106-9888	1	Washer-Flat
18	108473	1	Washer-Wave

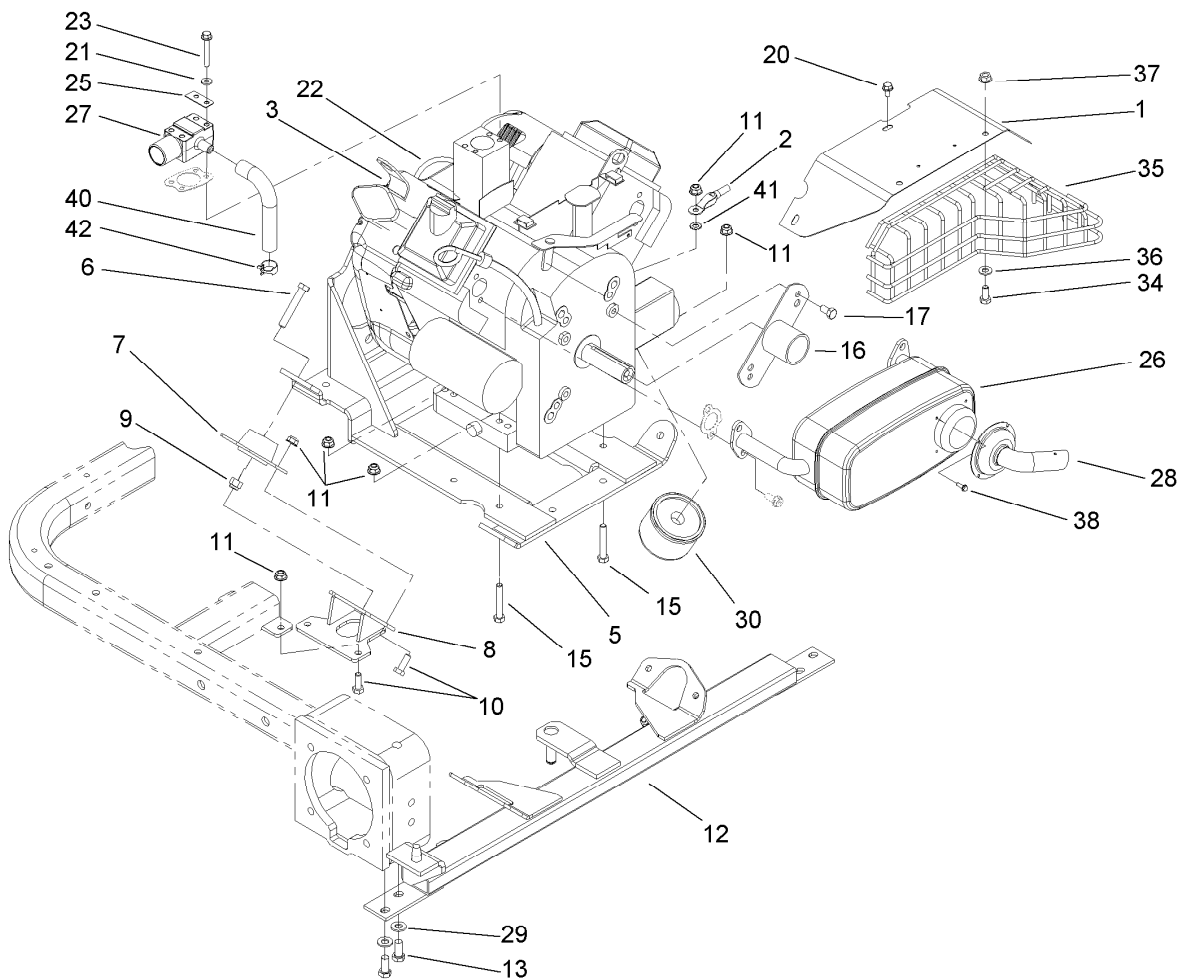
● Not serviced separately



## Pump Control Lever Assembly

<i>Ref.</i>	<i>Part Number</i>	<i>Qty.</i>	<i>Description</i>
1	112-6458-03	1	Pump Lever ASM
2	323-11	1	Screw-HH
3	322-5	1	Screw-HH
4	251-307	1	Bearing-Ball
5	75-5470	1	Spacer-Bearing
6	3296-29	2	Nut-Lock, NI
7	76-8640	1	Stud-Traction
8	3-6498	1	Washer-Thrust
9	108-5493	1	Arm ASM
9:2	94-9609	2	Bushing-Straight
10	85-9030	1	Spring-Extension
11	18-6380	1	Pin-Adjustment, Steering
12	3296-4	1	Nut-Lock
13	49-2040	3	Screw-HWHTF
14	108-5490-03	1	Pump Plate ASM
15	3229-20	1	Screw-CARR
16	100-4872	1	Plate-Switch, Neutral
17	105-0023	1	Switch-Proximity
18	3296-2	1	Nut-Lock, NI
19	321-4	1	Screw-HH
20	3218-1	1	Nut-Jam
21	93-9051	1	Decal-Bolt, Eccentric
22	3296-39	1	Nut-Lock, NI



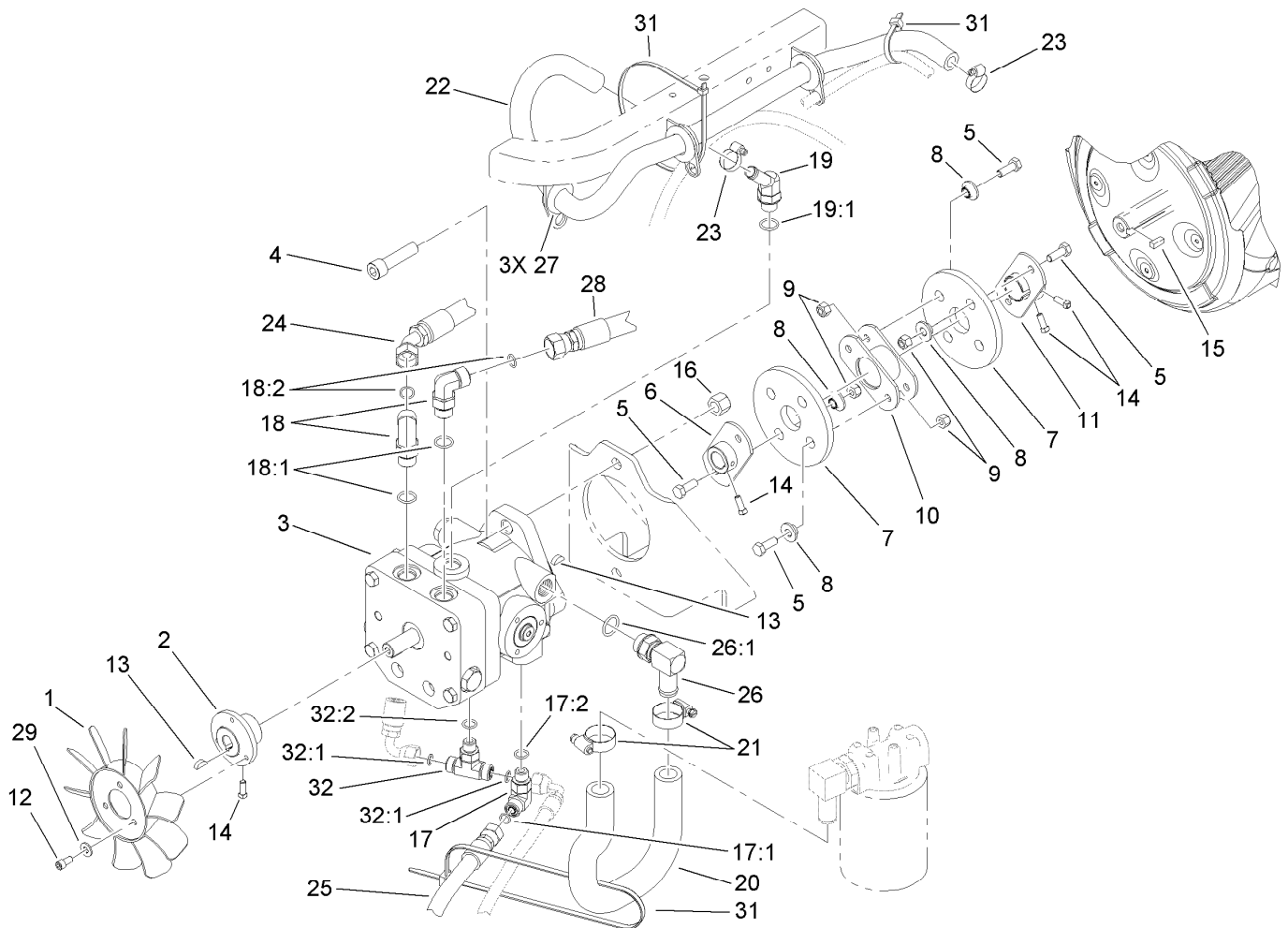


## Engine Installation Assembly

Ref.	Part Number	Qty.	Description	Ref.	Part Number	Qty.	Description
1	95-5827-03	1	Shield-Muffler	21	3256-16	4	Washer-Flat
2	54-3093	1	Cable-Battery, Negative	22	110-8181	1	Hose-Fuel
3	108-2943	1	Engine-Briggs & Stratton, 356447-0179	23	33103-045	4	Screw-HHF
5	108-2809-03	1	Engine Support ASM ●■	25	108-8427	2	Gasket-Carburetor
6	323-11	4	Screw-HH	26	108-7964	1	Muffler-Inlet, Dual
7	83-1030	4	Mount-Engine	27	108-2829	1	Adaptor-Carburetor
8	108-8474-01	2	Front Mount ASM	28	110-1306	1	Pipe-Tail
9	104-8301	4	Nut-Flange, NI	29	3256-24	4	Washer-Flat
10	322-4	12	Screw-HH	30	107-7817	1	Filter-Oil, Engine
11	104-8300	16	Nut-Flange, NI	34	322-3	3	Screw-HH
12	108-2819-01	1	Engine Mount ASM	35	110-6348-03	1	Shield-Exhaust
13	323-5	4	Screw-HH	36	3256-23	3	Washer-Flat
15	322-10	4	Screw-HH	37	32128-25	3	Nut-HF
16	95-0632-03	1	Cover ASM	38	32144-87	4	Screw-HWHTF
17	3210-2	2	Screw-HH	40	112-6461	1	Hose-Adapter, Carboretor
20	33103-012	3	Screw-HHF	41	3255-8	1	Washer-Lock
				42	2412-143	2	Clamp-Hose

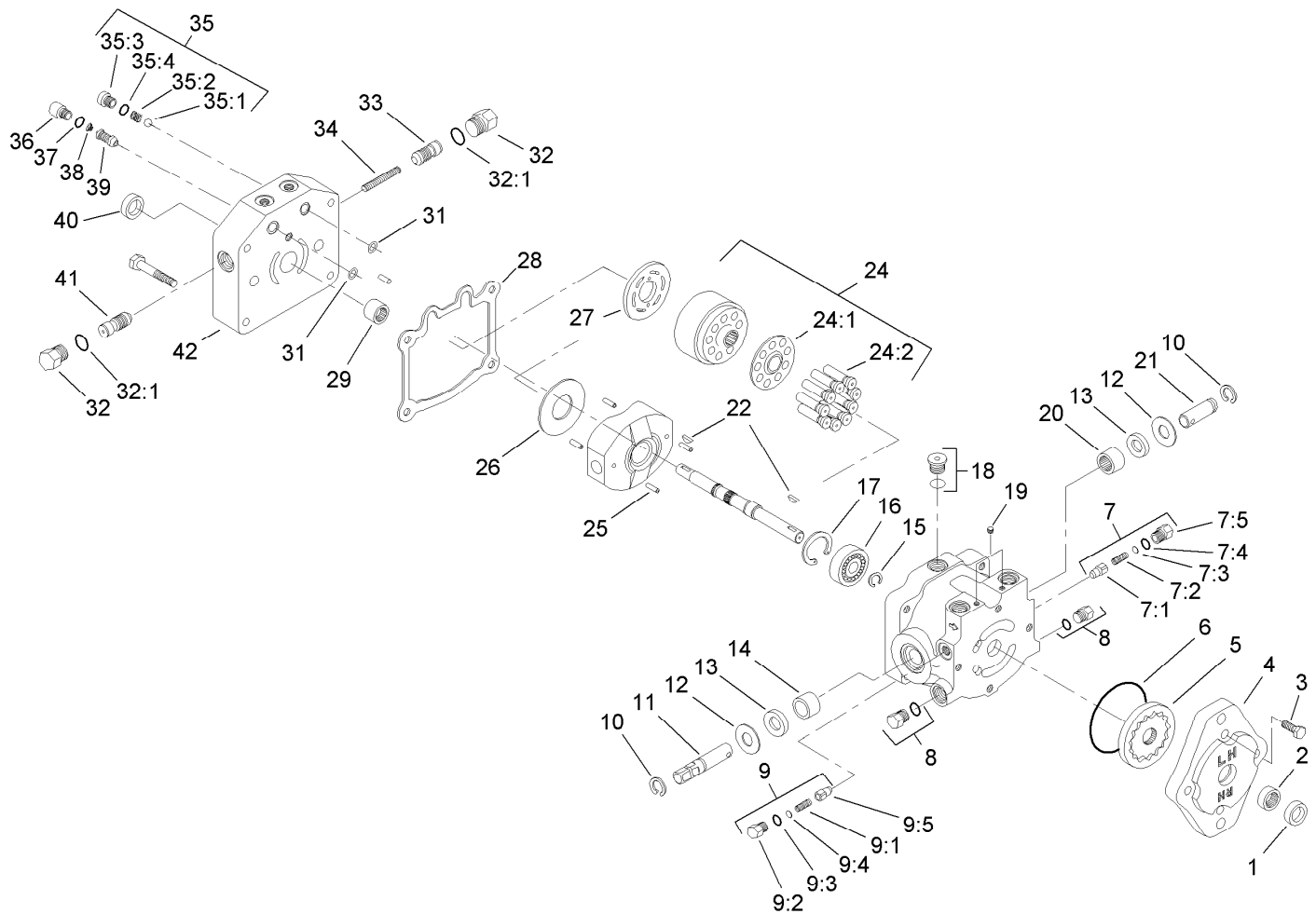
● Not serviced separately

■ Obtain parts from [www.briggsandstratton.com](http://www.briggsandstratton.com)



## Pump and Coupling Assembly

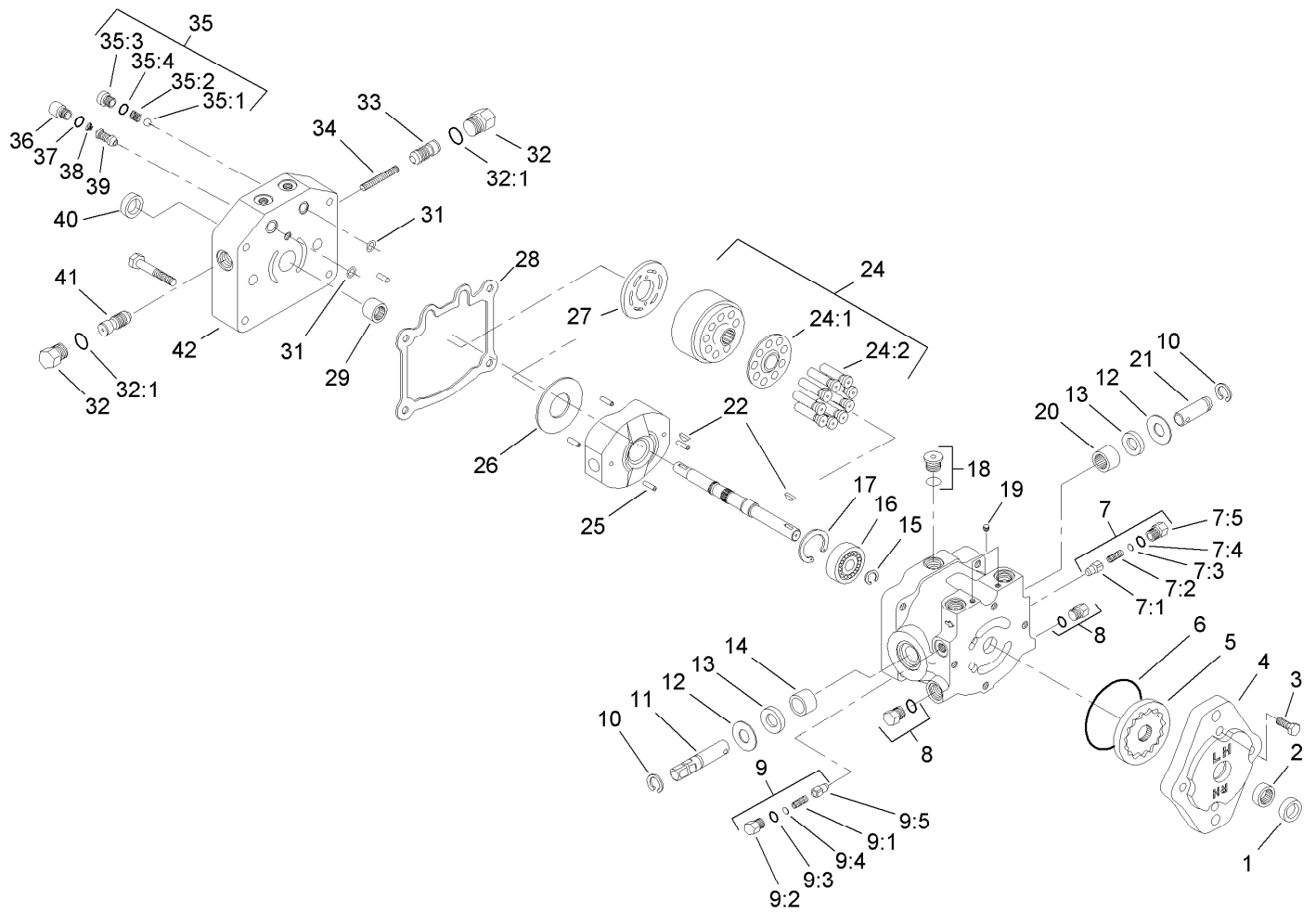
Ref.	Part Number	Qty.	Description	Ref.	Part Number	Qty.	Description
1	1-633869	1	Fan-Pump, Cooling	18:1	237-79	1	O-Ring
2	108-5484	1	Hub-Fan	18:2	237-30	1	O-Ring
3	108-2934	1	Pump-Piston, Variable	19	354-126	1	Fitting-HYD, 45 DEG
4	3274-5	2	Screw-HSH	19:1	237-79	1	O-Ring
5	322-4	8	Screw-HH	20	108-5481	1	Hose-Suction
6	85-8700	1	Hub-Pump	21	2412-129	2	Clamp-Hose
7	80-8650	2	Coupling-Drive	22	110-1325	1	Hose-Return
8	27-6600	8	Spacer-Coupling	23	2412-36	2	Clamp-Hose
9	3296-29	8	Nut-Lock, NI	24	108-8440	1	Hose ASM
10	85-8770	1	Coupling	25	108-8428	1	HYD Hose ASM
11	85-8730	1	Hub-Engine	26	87-8170	1	Fitting
12	3274-52	3	Screw-HSH	26:1	237-80	1	O-Ring
13	3257-32	2	Key-Woodruff	27	240-4	3	Grommet-Rubber
14	3241-7	6	Screw-SQH	28	110-1322	1	HYD Hose ASM
15	85-9020	1	Key-Square	29	3256-22	3	Washer-Flat
16	3296-23	2	Nut-Lock, NI	31	3290-379	4	Tie-Cable
17	340-77	1	Fitting-HYD, 90 DEG	32	340-94	1	Adapter
17:1	237-22	1	O-Ring	32:1	237-22	2	O-Ring
17:2	237-42	1	O-Ring	32:2	237-42	1	O-Ring
18	340-98	2	Fitting-HYD, 90 DEG				



## Variable Piston Pump Assembly No. 108-2934

Ref.	Part Number	Qty.	Description	Ref.	Part Number	Qty.	Description
1	110-6337	1	Seal-Lip	16	95-5809	1	Bearing-Ball
2	67-8050	1	Bearing-Needle	17	32151-75	1	Ring-Retaining
3	322-4	4	Screw-HH	18	94-9172	1	Plug
4	25-2690	1	Housing-Pump, Charge	19	75-0160	1	Plug-Pipe
5	95-5812	1	Gerotor ASM	20	110-6339	1	Bearing-Needle
6	237-95	1	O-Ring	21	88-8200	1	Shaft-Trunnion
7	49-8520	1	Implement Relief Kit	22	3257-32	2	Key-Woodruff
7:1	83-7260	1	Cone-Relief, Charge	24	48-1800	1	Cylinder Block Kit
7:2	25-2570	1	Spring-Valve	24:1		1	Retainer-Slipper ●
7:3	25-2470	1	Pack-Shim	24:2		9	Piston ASM ●
7:4	237-86	1	O-Ring	25	32121-91	4	Pin-Spring
7:5	25-2460	1	Plug-HH	26	25-2510	1	Washer-Flat
8	67-8030	2	Plug ASM	27	88-8160	1	Plate-Valve
9	49-8510	1	Valve Kit	28	25-2400	1	Gasket
9:1	25-2480	1	Spring-Valve	29	110-6341	1	Bearing-Roller
9:2	25-2460	1	Plug-HH	31	112-7652	2	O-Ring
9:3	237-86	1	O-Ring	32	28-3440	1	Plug-Threaded
9:4	25-2470	1	Pack-Shim	32:1	75-0240	1	O-Ring
9:5	83-7260	1	Cone-Relief, Charge	33	98-0920	1	Valve-Acceleration
10	32151-46	2	Ring-Retaining	34	25-2610	1	Spring-Valve
11	88-8180	1	Shaft-Trunnion	35	99-5689	1	Check Valve Kit
12	25-2510	2	Washer-Flat	35:1	25-2490	1	Ball
13	103461	2	Seal	35:2	25-2640	1	Spring-Valve
14	88-8190	1	Bearing-Journal	35:3	25-2650	1	Plug-Valve, Check
15	94-3996	1	Ring-Retaining	35:4	237-86	1	O-Ring

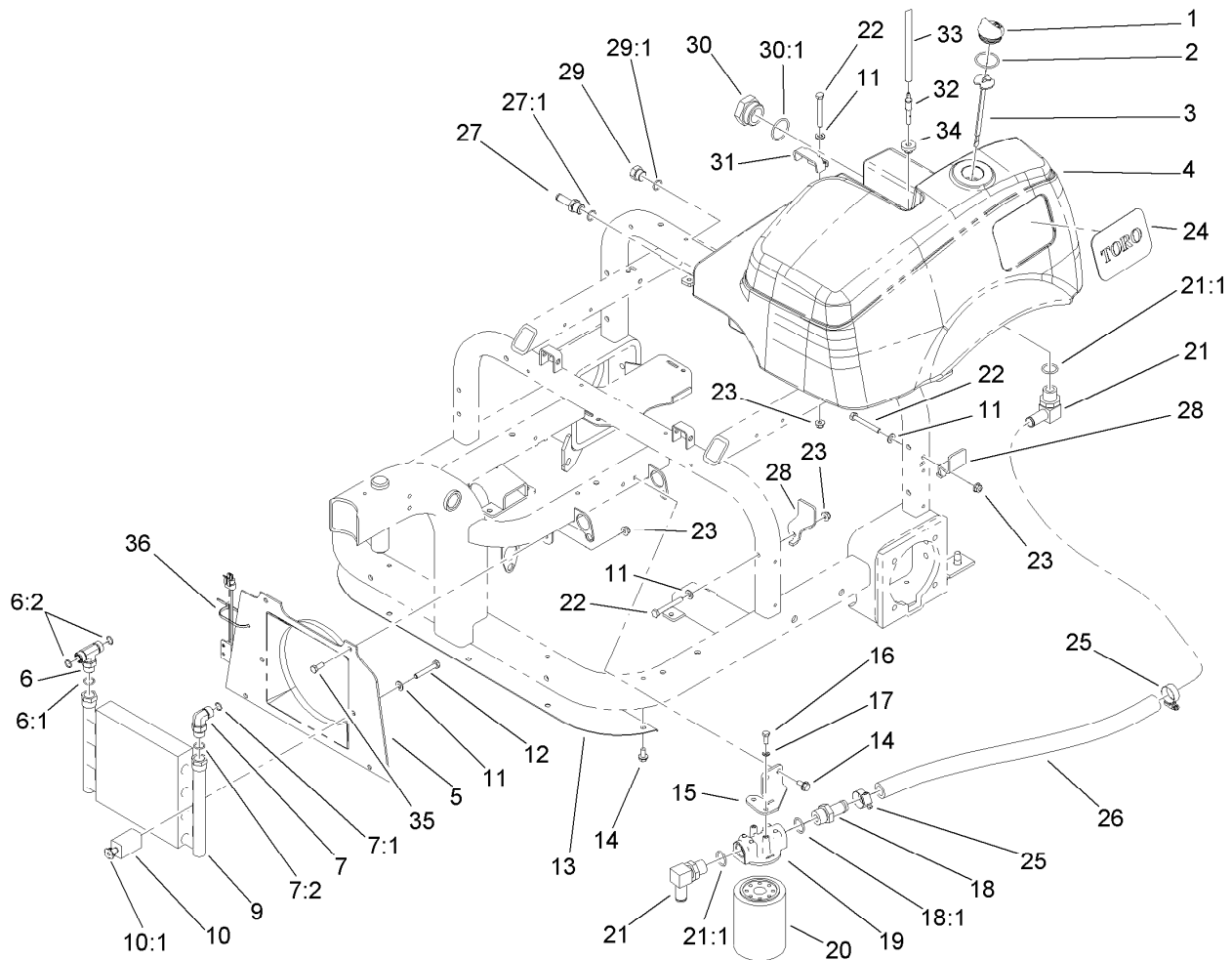
● Not serviced separately



## Variable Piston Pump Assembly No. 108-2934 (continued)

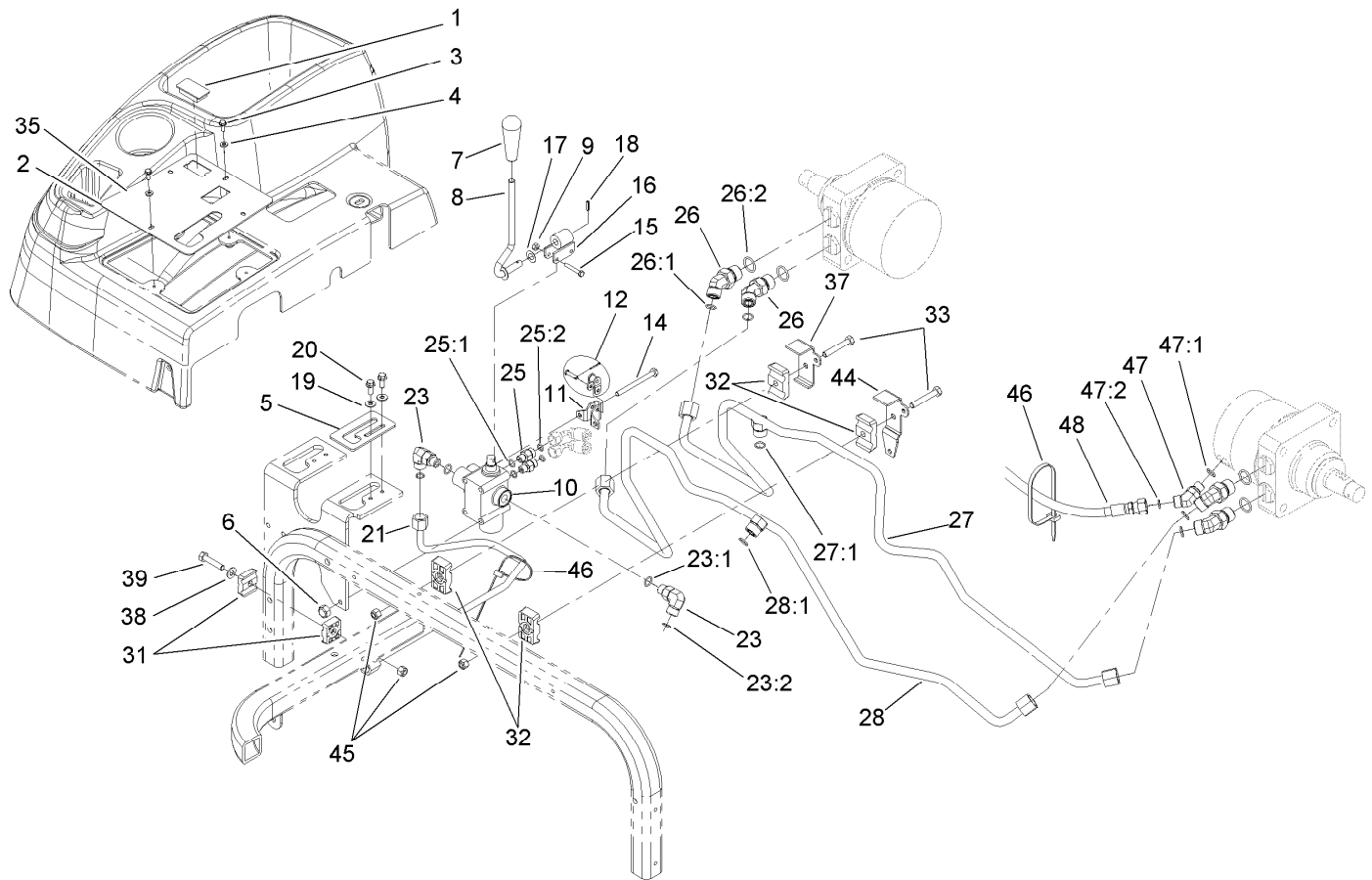
<i>Ref.</i>	<i>Part Number</i>	<i>Qty.</i>	<i>Description</i>	<i>Ref.</i>	<i>Part Number</i>	<i>Qty.</i>	<i>Description</i>
36	75-0190	1	Plug-Special	40	88-8230	1	Seal-Lip
37	75-0240	1	O-Ring	41	98-0920	1	Valve-Acceleration
38	110-6342	1	Spring	42	112-7651	1	Cap-End
39	110-6343	1	Valve-Scr				

● Not serviced separately



## Hydraulic Tank, Filter and Cooler Assembly

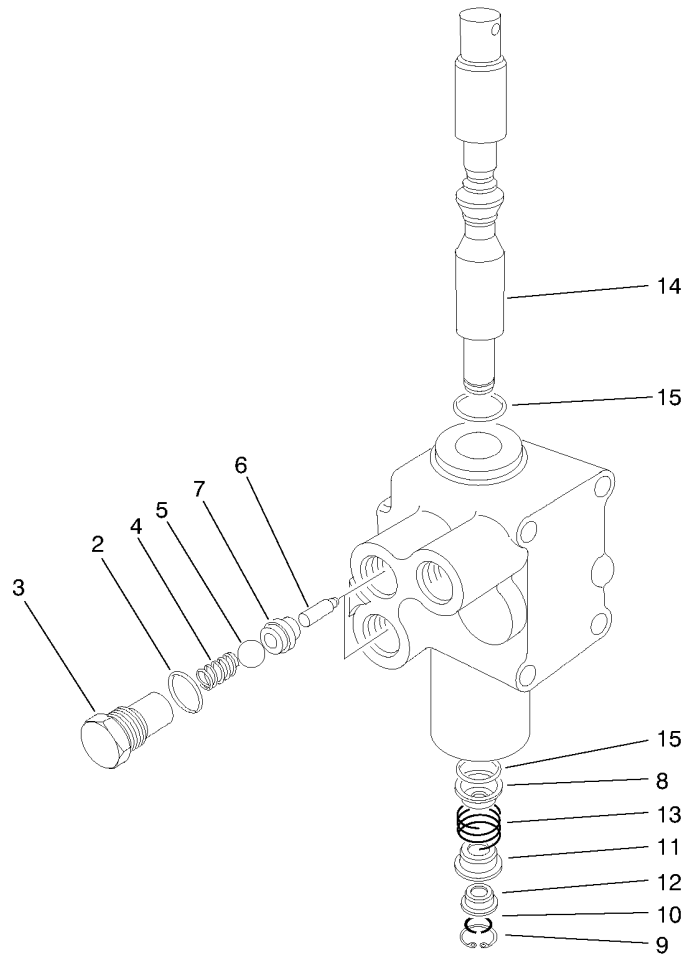
Ref.	Part Number	Qty.	Description	Ref.	Part Number	Qty.	Description
1	93-7498	1	Plug-Plastic	19	68-8990	1	Filter Head ASM
2	237-101	1	O-Ring	20	54-0110	1	Filter-Oil, Transmission
3	108-7996	1	Dipstick ASM	21	353-987	2	Fitting-HYD, 90 DEG (Barbed)
4	108-2937	1	Tank-HYD	21:1	237-81	1	O-Ring
5	108-5477	1	Shroud-Fan	22	322-12	5	Screw-HH
6	340-157	1	Fitting-HYD, Tee	23	104-8300	9	Nut-Flange, NI
6:1	237-79	1	O-Ring	24	108-8452	1	Decal-Logo
6:2	237-30	2	O-Ring	25	2412-129	2	Clamp-Hose
7	340-98	1	Fitting-HYD, 90 DEG	26	108-5483	1	Hose-Suction, Tank
7:1	237-79	1	O-Ring	27	354-121	1	Fitting-Straight
7:2	237-30	1	O-Ring	27:1	237-79	1	O-Ring
9	108-8457	1	Cooler-Oil	28	108-7965	2	Clamp-Tank, HYD
10	85-9550	2	Rubber Clamp ASM	29	353-550	1	Plug-HYD, HH
10:1	85-9670	1	T-Nut	29:1	237-79	1	O-Ring
11	3256-23	7	Washer-Flat	30	108-8468	1	Plug-HH
12	322-10	2	Screw-HH	30:1	237-101	1	O-Ring
13	108-5480-03	1	Panel-Cooler	31	108-7903	1	Clamp-Tank
14	32144-14	7	Screw-HWHTF	32	110-1372	1	Fitting-Vent, Tank
15	108-5482	1	Bracket-Filter, Oil	33	110-8181	1	Hose-Fuel
16	321-4	2	Screw-HH	34	46-6560	1	Bushing
17	3253-3	2	Washer-Lock	35	322-3	4	Screw-HH
18	354-73	1	Fitting-Straight	36	3290-379	1	Tie-Cable
18:1	237-81	1	O-Ring				



## Lift Valve and Rear Tube Assembly

Ref.	Part Number	Qty.	Description
1	99-7420	1	Plug-Hole
2	108-7909-03	1	Panel-Control
3	3290-321	4	Screw-HWH
4	3256-51	4	Washer-Flat
5	108-7941	1	Plate-Guide, Lever
6	3296-42	3	Nut-Lock, NI
7	98-0152	1	Knob-Tapered
8	108-7942	1	Rear Lever ASM
9	3296-2	2	Nut-Lock, NI
10	43-1710-01	1	Valve ASM
11	88-8480	1	Bracket-Pivot
12	2710-20	1	Link-Offset
14	321-23	3	Screw-HH
15	3290-360	2	Screw-HH
16	98-8159	1	Pivot
17	3290-477	1	Washer-Curved
18	32121-73	1	Pin-Roll
19	3256-1	2	Washer-Flat
20	3234-33	2	Screw-HHF
21	108-8416	1	Tube ASM
23	340-77	2	Fitting-HYD, 90 DEG
23:1	237-22	1	O-Ring
23:2	237-42	1	O-Ring
25	340-92	2	Fitting-HYD, Straight

Ref.	Part Number	Qty.	Description
25:1	237-78	1	O-Ring
25:2	237-21	1	O-Ring
26	340-89	4	Fitting-HYD, 45 DEG
26:1	237-30	1	O-Ring
26:2	237-80	1	O-Ring
27	108-8406	1	Tube ASM
27:1	237-30	1	O-Ring
28	110-1323	1	Tube ASM
28:1	237-30	1	O-Ring
31	56-7973	2	Clamp-Tube
32	56-7976	4	Clamp-Tube
33	322-10	2	Screw-HH
35	108-8484	1	Decal-Lift, Rear
37	110-1333	1	Bracket-Clamp
38	3256-23	1	Washer-Flat
39	322-7	1	Screw-HH
44	110-1332	1	Bracket-Clamp
45	3296-29	3	Nut-Lock, NI
46	3290-378	2	Tie-Cable
47	340-87	1	Fitting-HYD, 45 DEG
47:1	237-22	1	O-Ring
47:2	237-42	1	O-Ring
48	112-1411	1	Hose-HYD

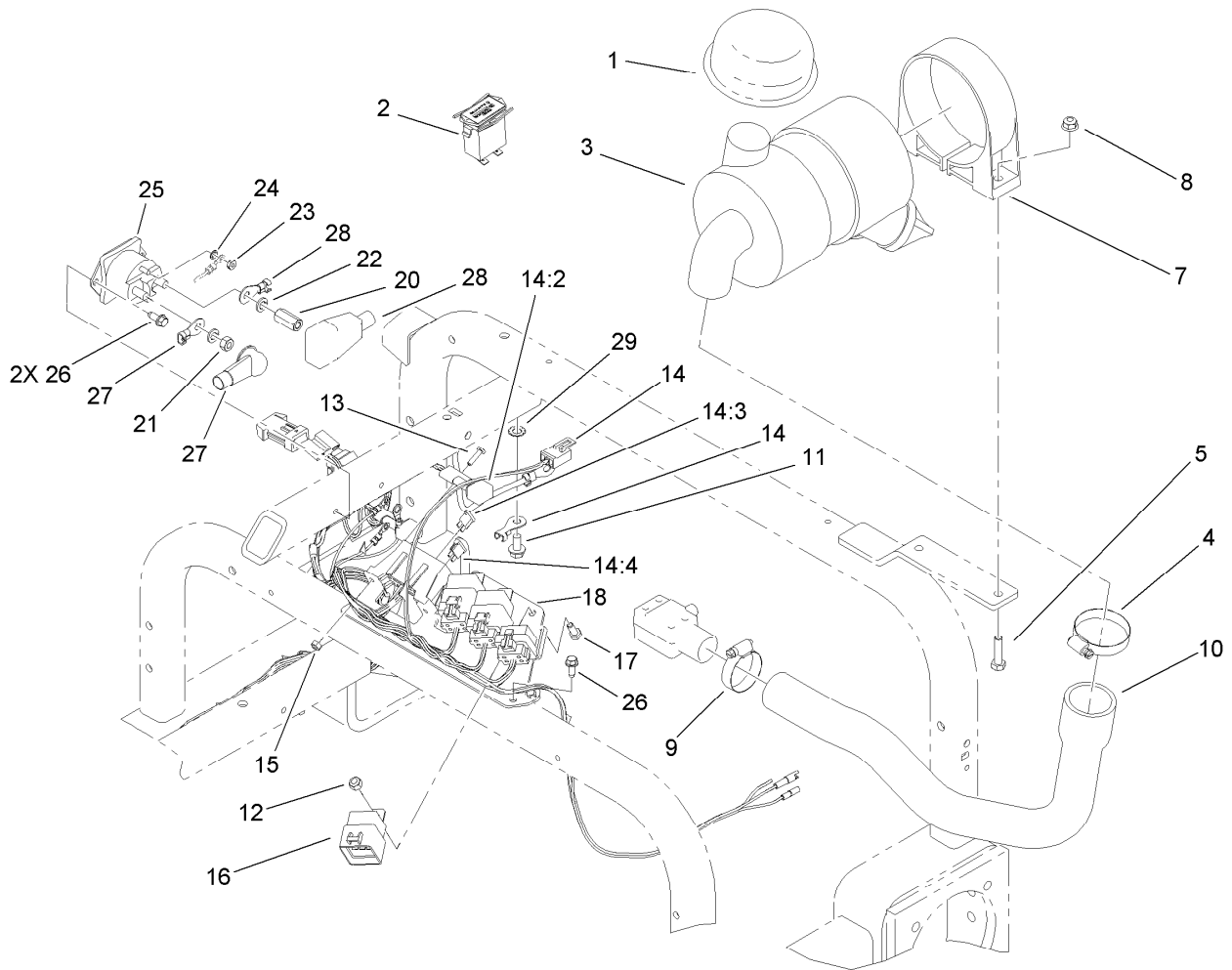


## Valve Assembly No. 43-1710-01

<i>Ref.</i>	<i>Part Number</i>	<i>Qty.</i>	<i>Description</i>
2	237-42	2	O-Ring
3	22-8330	2	Plug
4	22-8340	2	Spring
5	22-8350	2	Ball
6	22-8360	2	Pin
7	22-8370	2	Seat-Valve
8	22-8380	1	Retainer
9	22-8490	1	Ring-Snap
10	22-8480	1	Ring-Snap
11	22-8390	1	Retainer
12	22-8400	1	Spacer
13	22-8410	1	Spring
14	22-8420	1	Spool
15	22-8500	2	O-Ring

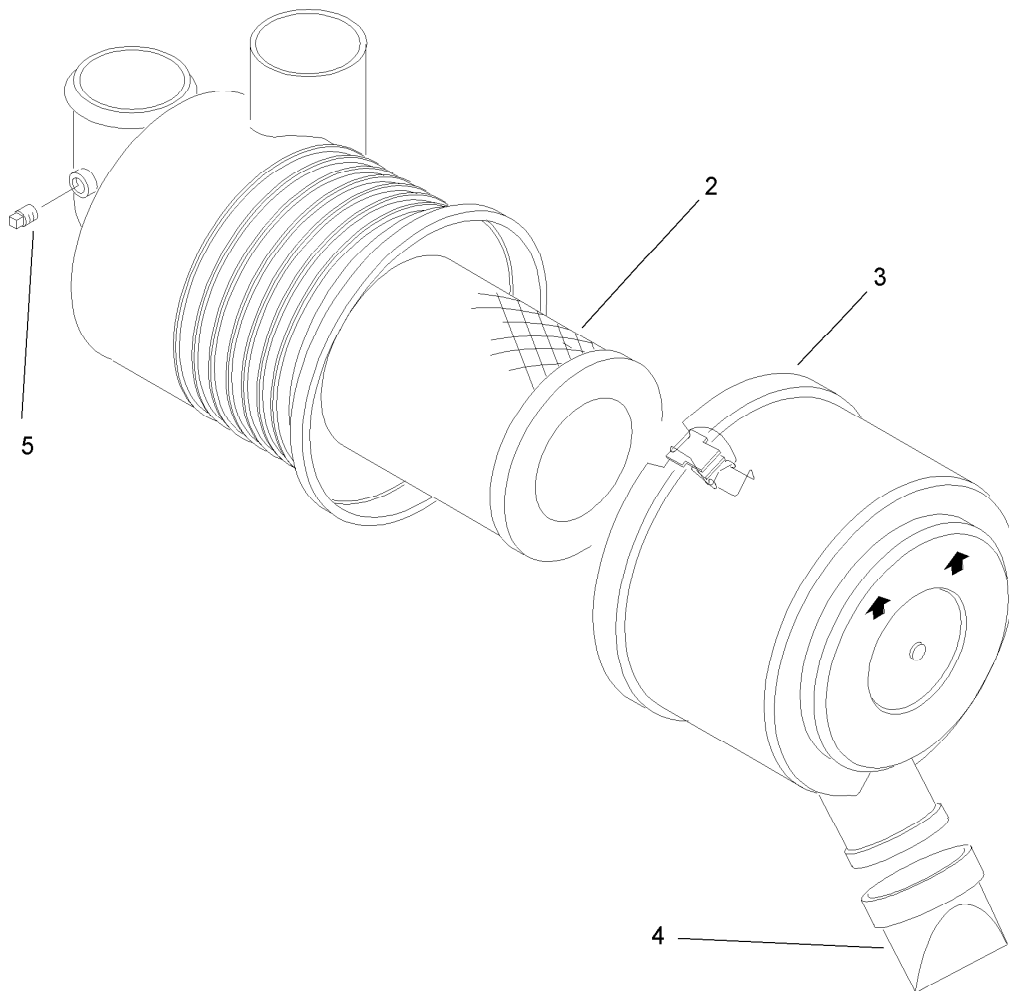






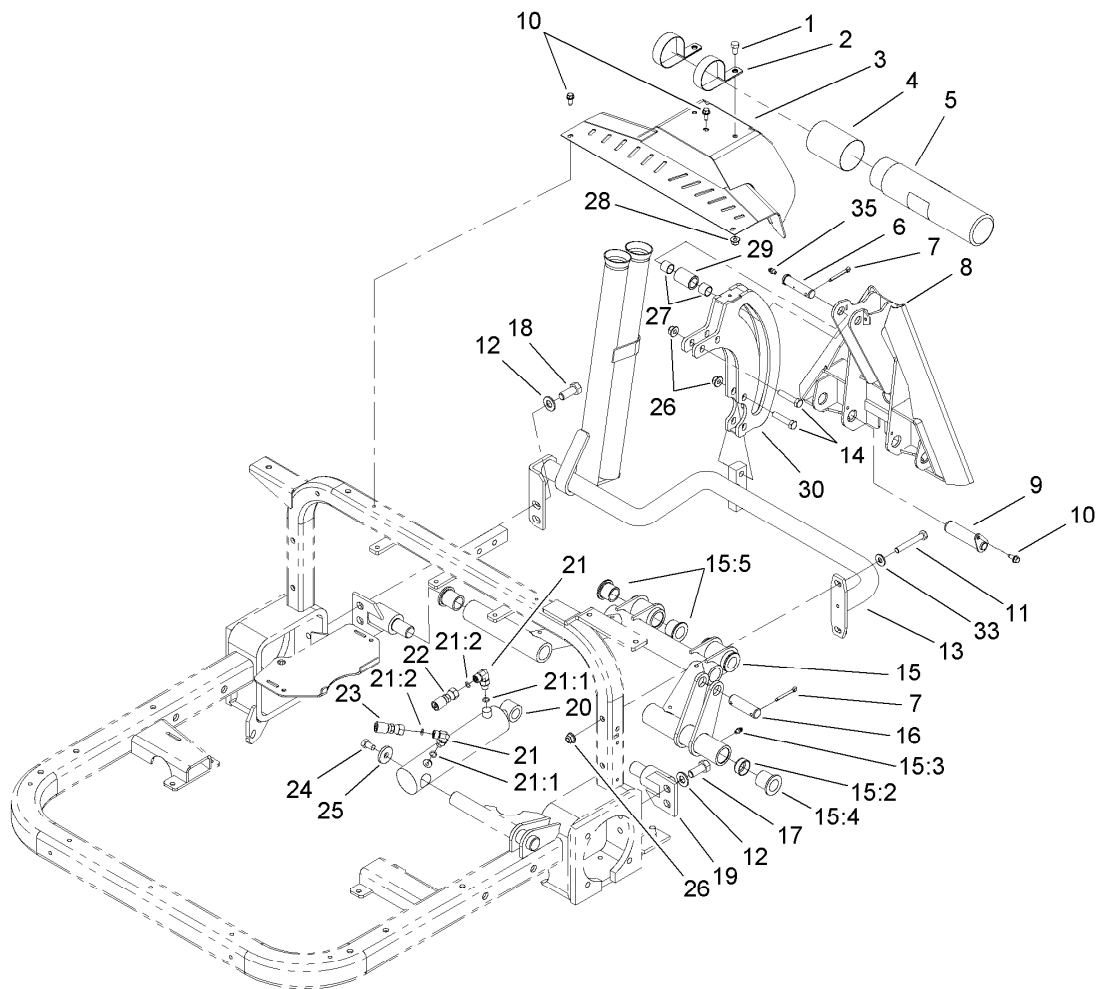
## Wire Harness, Air Cleaner and Hose Assembly

<i>Ref.</i>	<i>Part Number</i>	<i>Qty.</i>	<i>Description</i>	<i>Ref.</i>	<i>Part Number</i>	<i>Qty.</i>	<i>Description</i>
1	46-7510	1	Hood-Inlet, Air	14:4	109355	1	Fuse-Blade, 15 Amp
2	1-513374	1	Meter-Hour	15	3296-2	2	Nut-Lock, NI
3	93-2190	1	Air Cleaner ASM	16	99-7430	3	Relay
4	2412-92	1	Clamp-Hose	17	321-3	3	Screw-HH
5	322-6	2	Screw-HH	18	112-1444-01	1	Bracket-Relay
7	95-5806	1	Bracket-Mounting	20	110-3380	1	Nut-Standoff
8	104-8300	2	Nut-Flange, NI	21	3218-13	1	Nut-Jam, Brass
9	2412-3	1	Clamp-Hose	22	3253-4	2	Washer-Lock
10	108-8401	1	Hose-Air	23	3219-14	2	Nut-Hex
11	32144-14	1	Screw-HWHTF	24	3254-1	2	Washer-Lock, Int
12	3296-42	3	Nut-Lock, NI	25	28-4210	1	Solenoid
13	3250-13	2	Screw-PPH	26	32144-10	4	Screw-HWH
14	112-1446	1	Harness-Wire	27	110-3315	1	Cable-Positive, Starter
14:2	100-4918	2	Diode	28	110-3314	1	Cable-Positive, Battery
14:3	218-578	1	Fuse-Blade, 10 Amp	29	3255-9	1	Washer-Lock



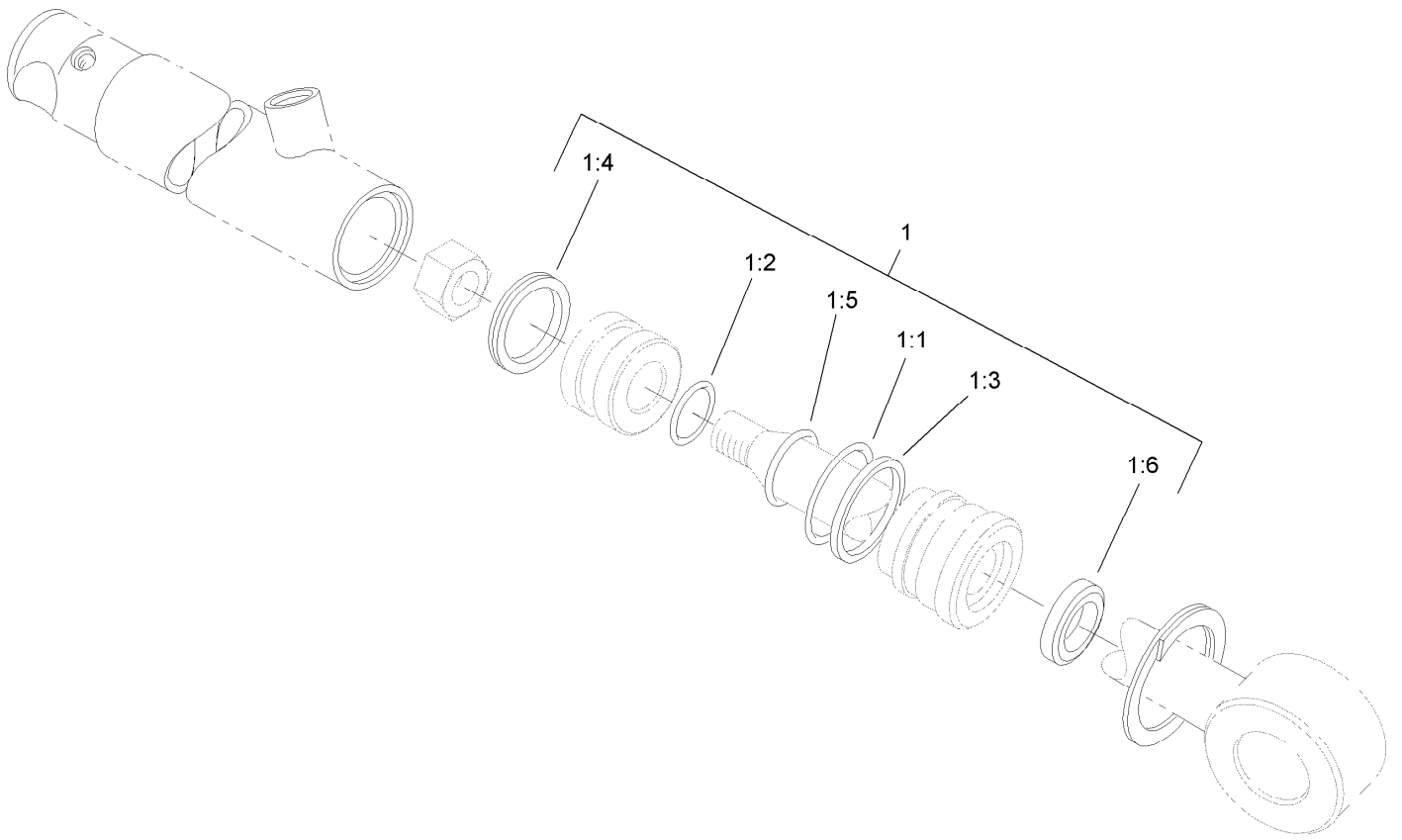
## Air Cleaner Assembly No. 93-2190

<i>Ref.</i>	<i>Part Number</i>	<i>Qty.</i>	<i>Description</i>
2	108-3811	1	Filter-Air
3	94-3652	1	Cover ASM
4	87-9400	1	Valve-Vacuator
5	285-17	1	Plug-Pipe



## Rear Hitch Assembly

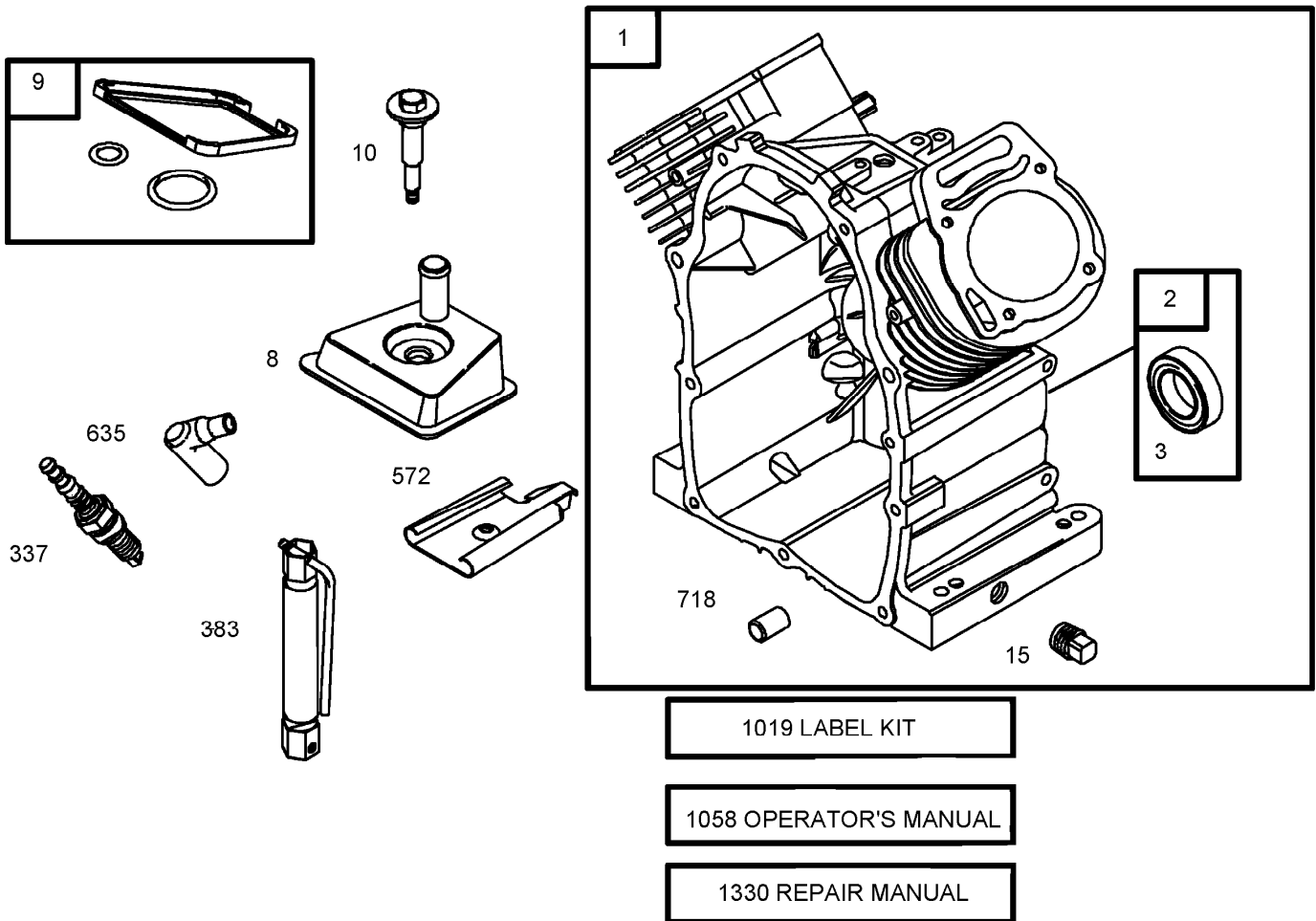
Ref.	Part Number	Qty.	Description	Ref.	Part Number	Qty.	Description
1	322-2	2	Screw-HH	16	18-7310	1	Pin-Cylinder
2	2412-133	2	R-Clamp	17	325-4	2	Screw-HH
3	108-7970-01	1	Rear Cover ASM	18	325-5	2	Screw-HH
4	104-7048	1	Cap-Housing	19	108-6872	2	Pivot Pin ASM
5	104-7050	1	Tube-Manual	20	110-1338	1	Hydraulic Cylinder ASM
6	108-2282	1	Pin-Clevis	21	340-132	2	Fitting-HYD, 90 DEG
7	3272-23	3	Pin-Cotter	21:1	237-78	1	O-Ring
8	108-6870-01	1	Adapter ASM	21:2	237-21	1	O-Ring
9	108-6885	2	Pin ASM	22	95-8837	1	Hose ASM
10	32144-10	5	Screw-HWH	23	100-3833	1	HYD Hose ASM
11	323-12	2	Screw-HH	24	323-34	1	Screw-HH
12	3256-26	4	Washer-Flat	25	53-6380	1	Washer-Flat
13	108-6860-03	1	Hitch Frame ASM	26	104-8301	6	Nut-Flange, NI
14	323-10	4	Screw-HH	27	256-311	2	Bushing-Split
15	110-3375	1	Rear Tube ASM	28	104-8300	2	Nut-Flange, NI
15:2	110-3365	2	Plug-Expansion	29	108-6871	1	Tube-Roller
15:3	302-5	4	Fitting-Grease	30	110-1368-01	1	Roller Plate ASM
15:4	95-3577	2	Bushing	33	3256-3	6	Washer-Flat
15:5	33-3090	4	Bushing	35	302-5	1	Fitting-Grease



## Hydraulic Cylinder Assembly No. 110-1338

<i>Ref.</i>	<i>Part Number</i>	<i>Qty.</i>	<i>Description</i>
1	108-4597	1	Seal Kit
1:1		1	O-Ring ●
1:2		1	O-Ring ●
1:3		1	Ring-Back Up ●
1:4		1	Seal-Psp ●
1:5		1	Seal-Rod ●
1:6		1	Seal-Dust ●

● Not serviced separately

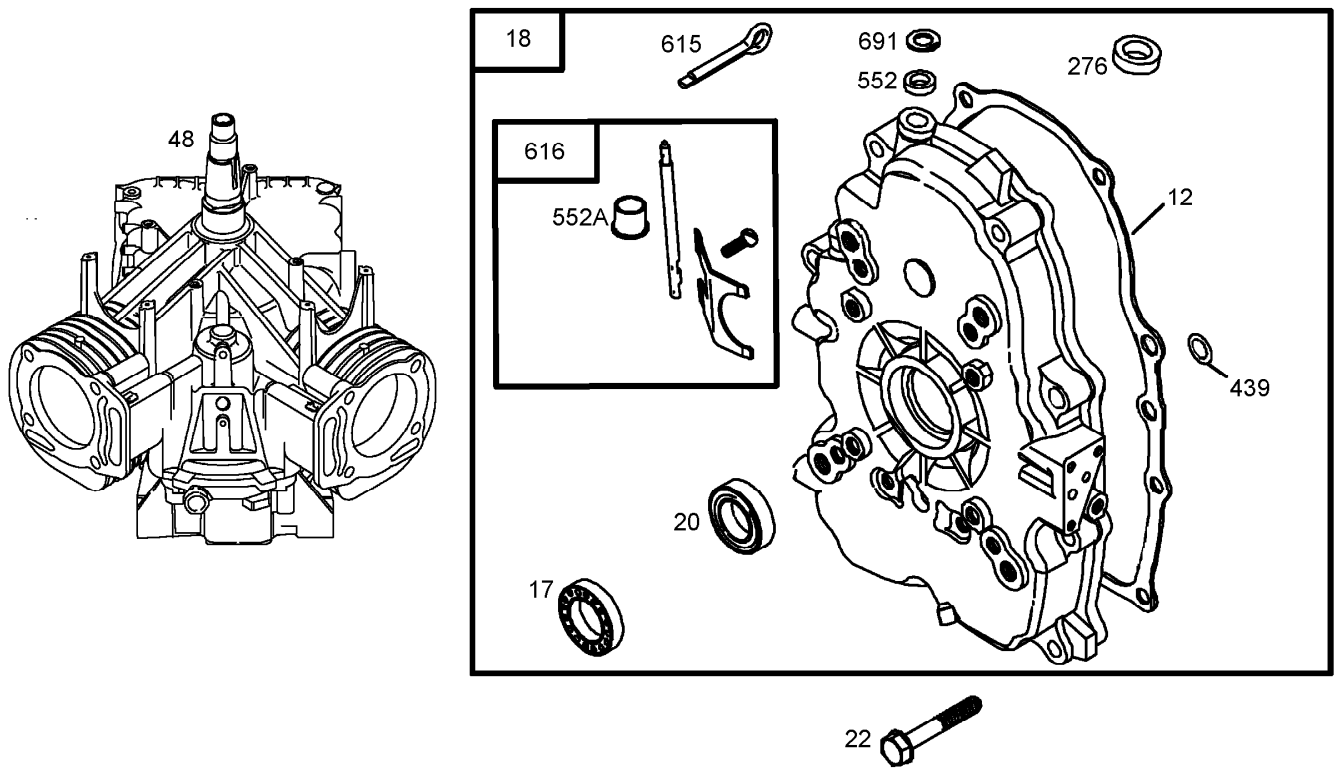


## Cylinder Assembly Briggs and Stratton 356447-0179-E1

Ref.	Part Number	Qty.	Description
1	692544	1	Cylinder ASM ●
2	808534	1	Bushing-Seal Kit ●
3	805101	1	Seal-Oil ●■
8	808984	1	Breather ASM ●
9	809094	1	Gasket-Breather ●■
10	690751	1	Screw ●
15	690946	1	Plug-Drain, Oil ●
337	496018	1	Spark Plug ●
383	19374	1	Wrench-Spark Plug ●
572	690686	1	Baffle-Breather ●
635	692076	1	Boot-Spark Plug ●
718	806469	1	Pin-Locating ●
1019	808036	1	Label Kit ●
1058	276343	1	Operator Manual ●
1330	272144	1	Repair Manual ●

● Obtain parts from [www.briggsandstratton.com](http://www.briggsandstratton.com)

■ Included in Engine Gasket Set (Ref. No. 358)

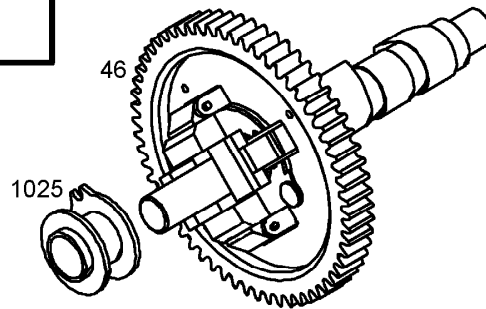
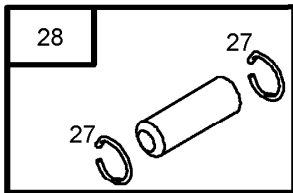
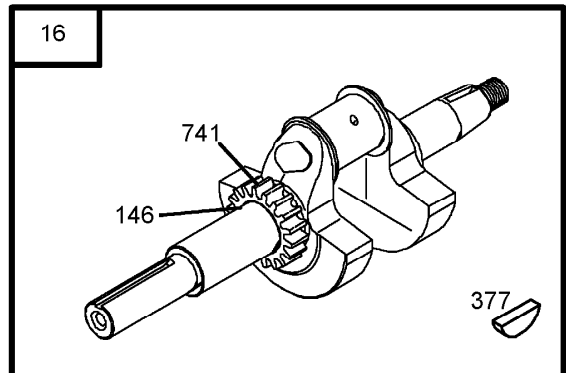
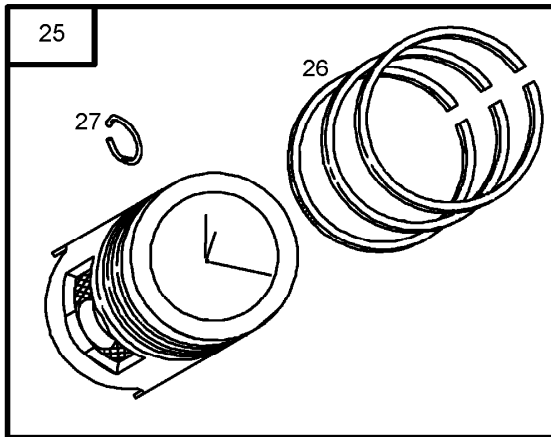
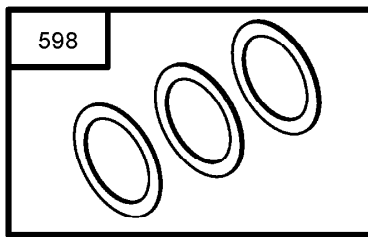
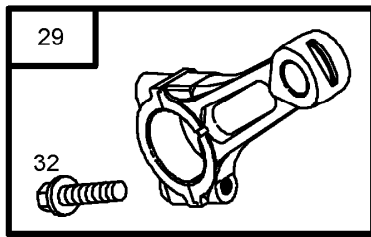


## Crankcase Assembly Briggs and Stratton 356447-0179-E1

Ref.	Part Number	Qty.	Description
12	842589	1	Gasket-Crankcase ●■
17	690752	1	Bearing-Ball ●
18	808847	1	Cover-Crankcase ●
20	805049	1	Seal-Oil ●■
22	807362	1	Screw ●
48		1	Short Block (Part No. Not Available At Time Of Printing) ●
276	690724	1	Washer-Sealing ●
439	692154	1	Seal-O Ring ●■
552	690701	1	Bushing-Crank, Governor ●
552A	806686	1	Bushing-Crank, Governor ●
615	691550	1	Retainer-Shaft, Governor ●
616	806685	1	Crank-Governor ●
691	690680	1	Seal-Shaft, Governor ●■

● Obtain parts from [www.briggsandstratton.com](http://www.briggsandstratton.com)

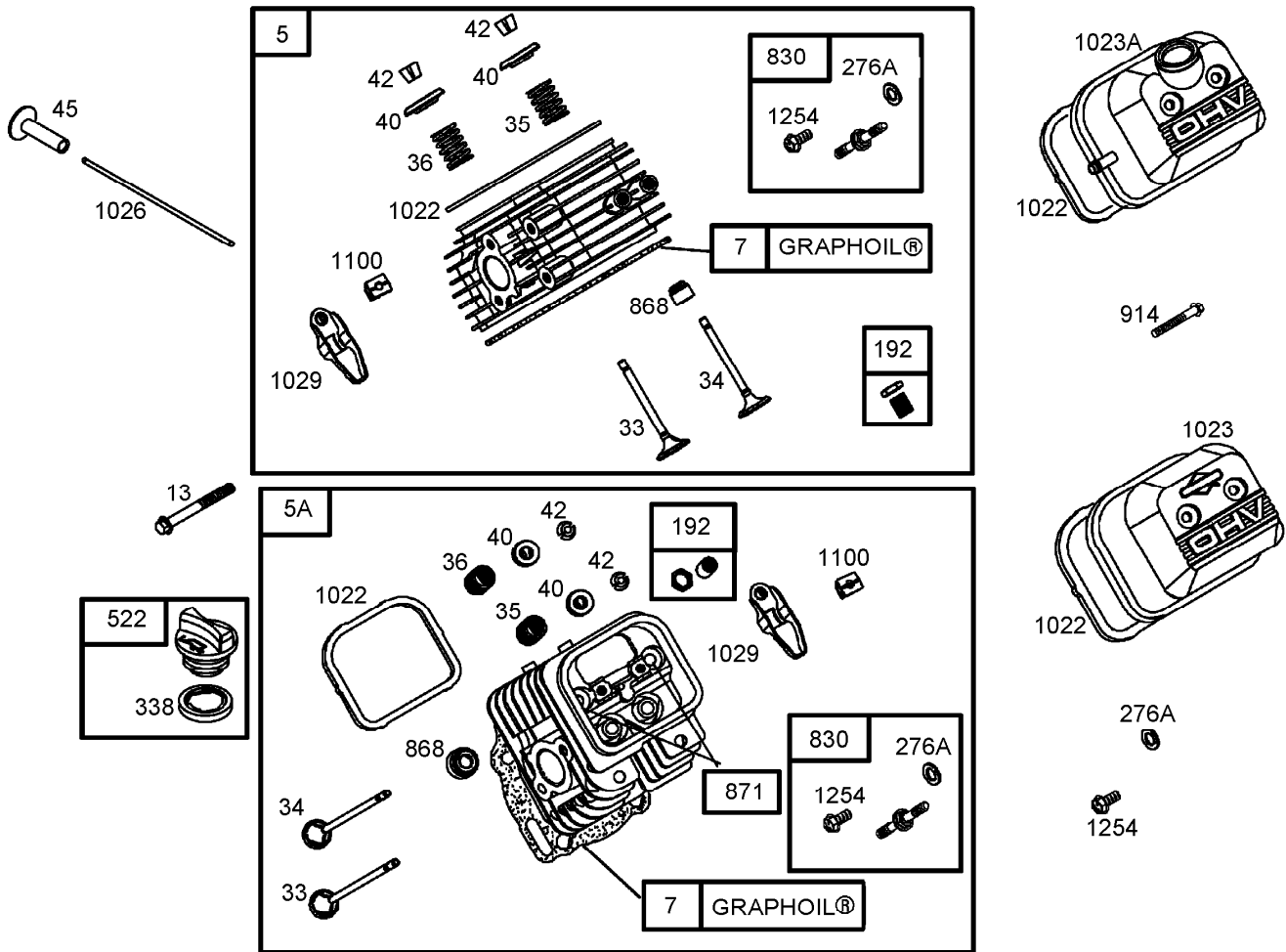
■ Included in Engine Gasket Set (Ref. No. 358)



## Crankshaft Assembly Briggs and Stratton 356447-0179-E1

Ref.	Part Number	Qty.	Description
16	809836	1	Crankshaft ●
25	808326	1	Piston ASM (Standard) ●
25	808337	1	Piston ASM (.020 O.S.) ●
26	807889	1	Ring Set (Standard) ●
26	807995	1	Ring Set (.020 O.S.) ●
27	690683	1	Lock-Pin, Piston ●
28	807886	1	Pin-Piston ●
29	807900	1	Rod-Connecting (Standard) ●
29	807803	1	Rod-Connecting (.020 Undersize) ●
32	690698	1	Screw ●
46	691557	1	Camshaft ●
146	691639	1	Key-Timing ●
357	691483	1	Key pulley , Drive ●
377	808095	1	Key-Woodruff ●
598	807625	1	Shim-Play, End ●
741	691530	1	Gear-Timing ●
1025	690689	1	Spool-Governor ●

● Obtain parts from [www.briggsandstratton.com](http://www.briggsandstratton.com)



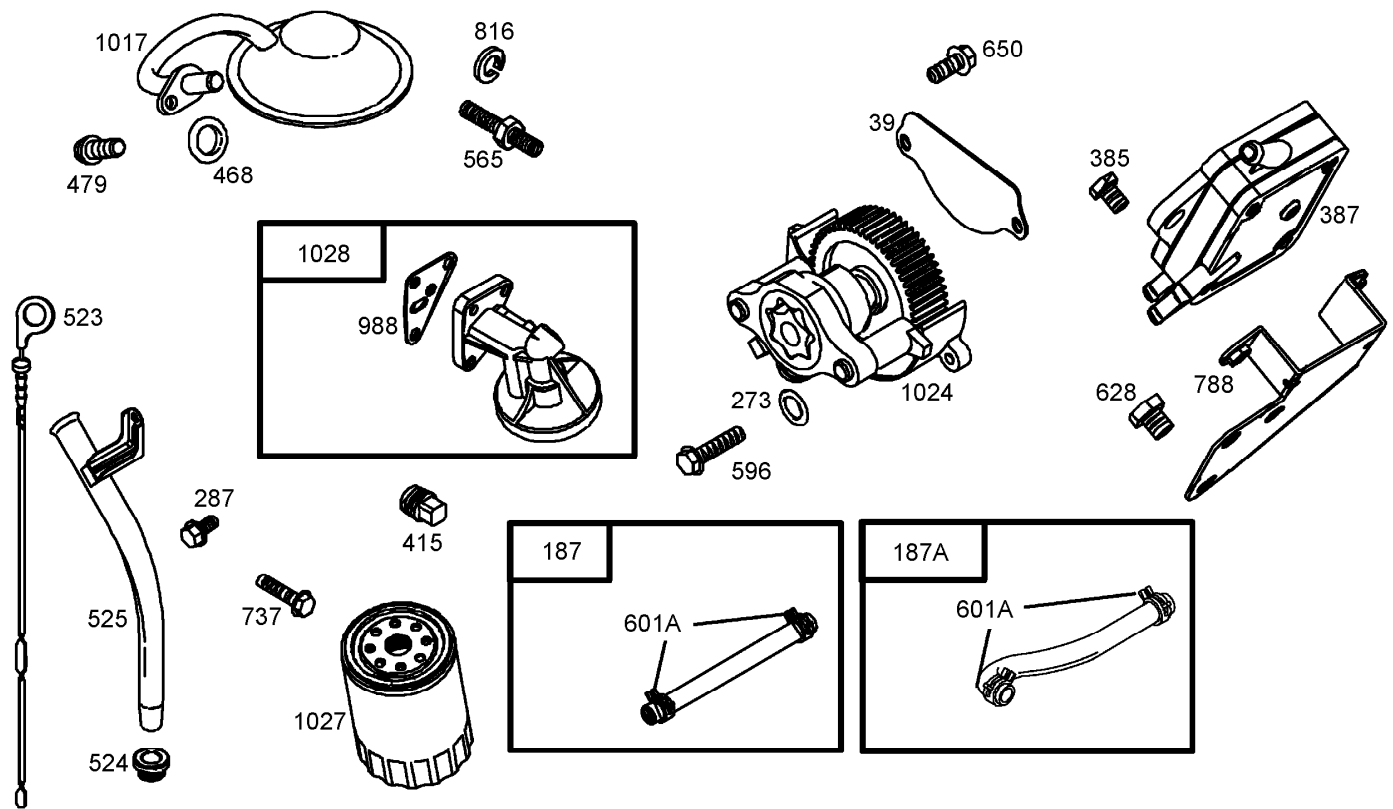
## Cylinder Head Assembly Briggs and Stratton 356447-0179-E1

Ref.	Part Number	Qty.	Description	Ref.	Part Number	Qty.	Description
5	809185	1	Cylinder Head (No. 1) ●	522	491832	1	Plug-Fill, Dipstick ●
5A	809186	1	Cylinder Head (No. 2) ●	830	809157	1	Stud-Arm, Rocker ●
7	690888	1	Gasket-Head, Cylinder ●■▲	868	691963	1	Seal-Valve ●■▲
13	692059	1	Screw ●	871	692057	1	Bushing-Guide, Valve ●
33	807681	1	Valve-Exhaust ●	914	807120	1	Screw ●
34	807680	1	Valve-Intake ●	1022	806039	1	Gasket-Cover, Rocker ●■▲
35	692084	1	Spring-Valve ●	1023	691494	1	Cover-Valve ●
36	692084	1	Spring-Valve ●	1023A	690910	1	Cover-Valve ●
40	692058	1	Retainer-Valve ●	1026	691836	1	Rod-Push ●
42	807683	1	Keeper-Valve ●	1026	691758	1	Rod-Push ●
45	690977	1	Tappet-Valve ●	1029	807323	1	Arm-Rocker ●
192	807623	1	Adjuster-Arm, Rocker ●	1100	791959	1	Pivot-Arm, Rocker ●
276A	807085	1	Washer-Sealing ●■▲	1254	807084	1	Screw ●
338	691312	1	Seal-O Ring ●■▲				

● Obtain parts from [www.briggsandstratton.com](http://www.briggsandstratton.com)  
▲ Included in Valve Gasket Set (Ref. No. 1095)

■ Included in Engine Gasket Set (Ref. No. 358)



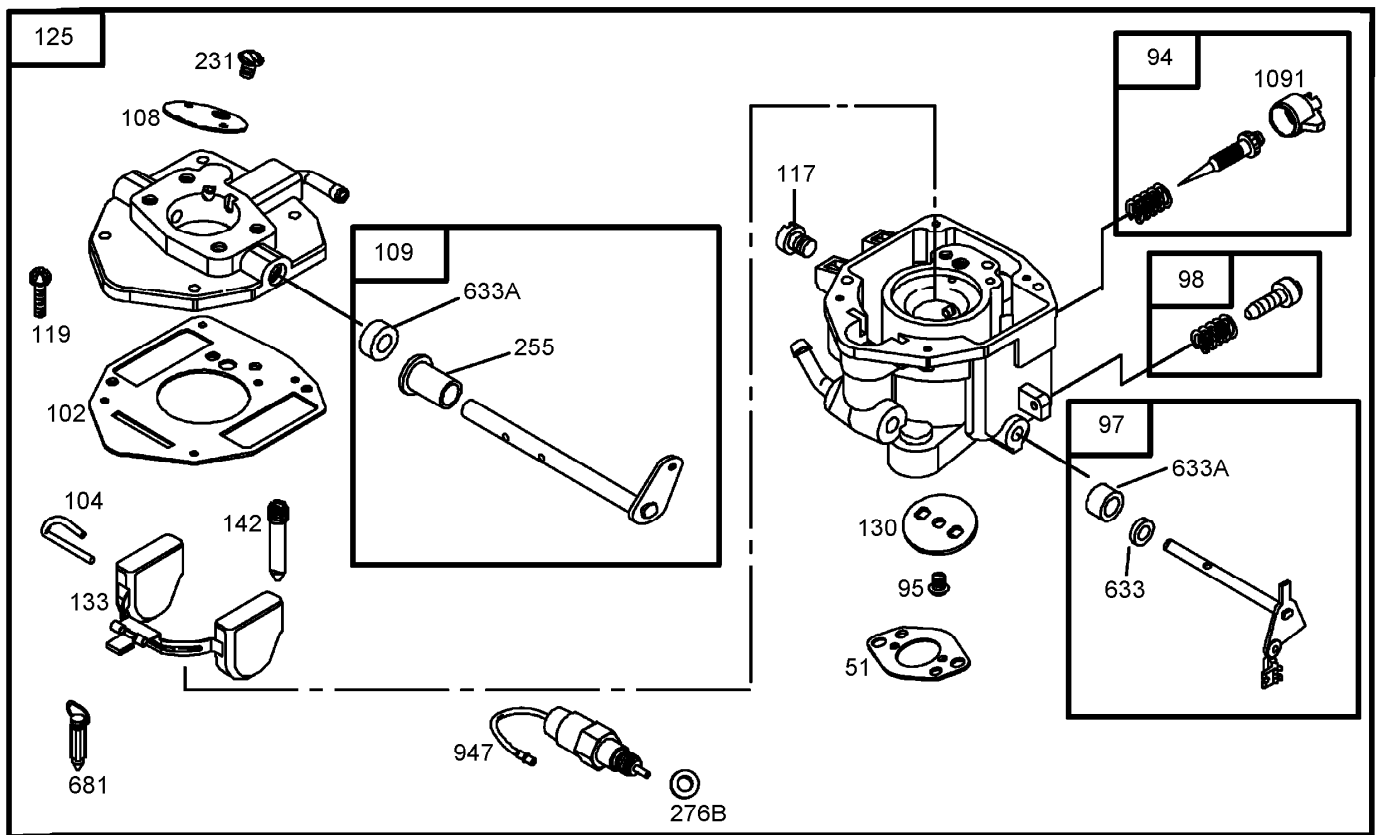


## Oil Filter, Tube and Pump Assembly Briggs and Stratton 356447-0179-E1

Ref.	Part Number	Qty.	Description	Ref.	Part Number	Qty.	Description
39	690745	1	Deflector-Oil ●	596	691492	1	Screw ●
187	791766	1	Line-Fuel ●	601A	691038	1	Clamp-Hose ●
187A	791744	1	Line-Fuel ●	628	692062	1	Screw ●
273	690681	1	Seal-O Ring ●■	650	692539	1	Screw ●
287	692062	1	Screw ●	737	690679	1	Screw ●
385	807084	1	Screw ●	788	691559	1	Bracket-Pump, Fuel ●
387	808969	1	Pump-Fuel ●	816	690706	1	Washer ●
415	690283	1	Plug-Oil ●	988	692063	1	Gasket-Adapter, Oil Filter ● ■
468	690690	1	Seal-O Ring ●■	1017	690900	1	Screen-Pump, Oil ●
479	807084	1	Screw ●	1024	693185	1	Pump-Oil ●
523	693175	1	Dipstick ●	1027	492932	1	Filter-Oil ●
524	693172	1	Seal-Tube, Dipstick ●■	1028	808235	1	Adapter-Filter, Oil ●
525	693174	1	Tube-Dipstick ●				
565	690682	1	Stud ●				

● Obtain parts from [www.briggsandstratton.com](http://www.briggsandstratton.com)

■ Included in Engine Gasket Set (Ref. No. 358)



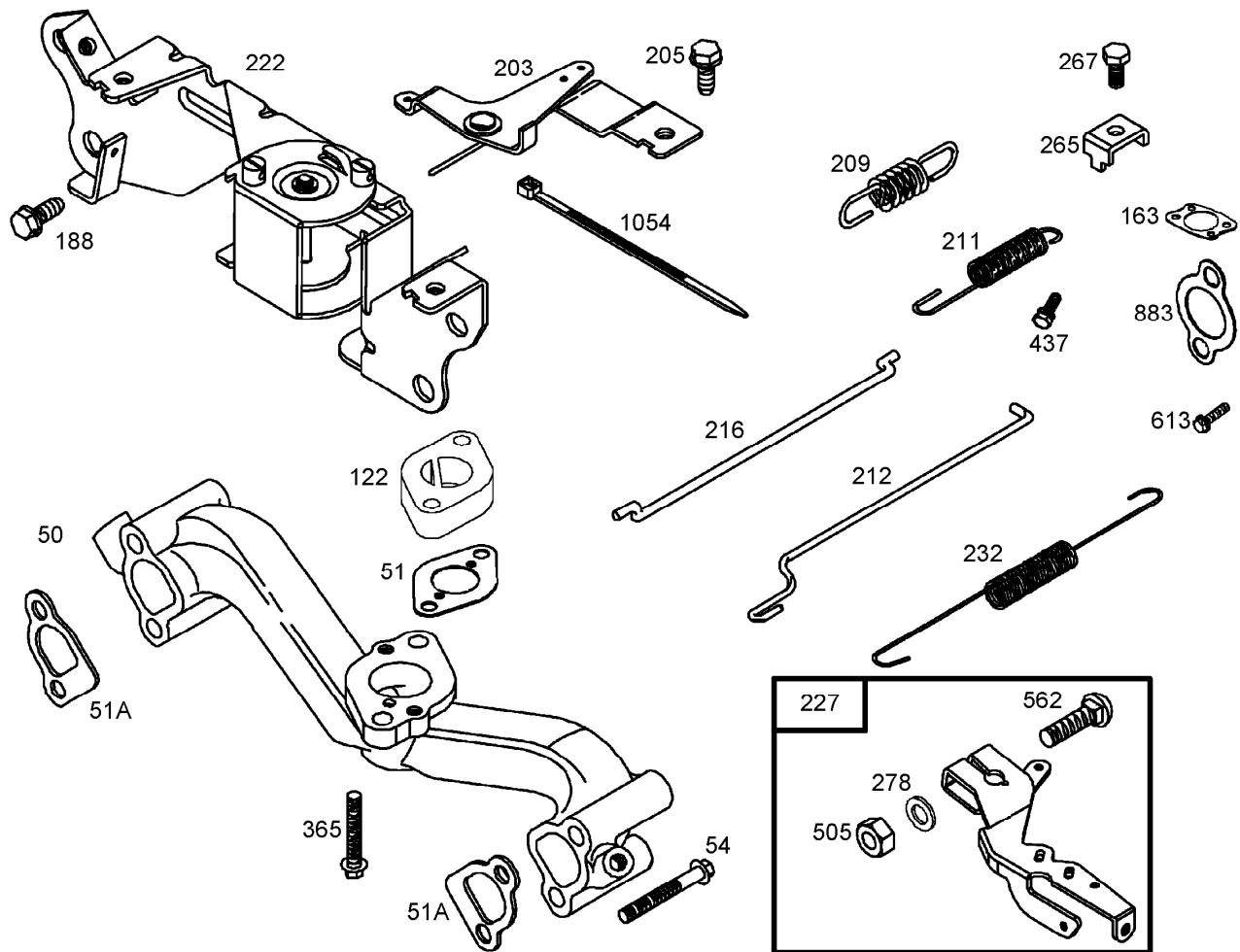
118

## Carburetor Assembly Briggs and Stratton 356447-0179-E1

Ref.	Part Number	Qty.	Description
51	691694	1	Gasket-Intake ●■
94	808399	1	Idle Mixture Kit ●▲
95	690718	1	Screw ●
97	842734	1	Shaft-Throttle ●
98	808981	1	Idle Speed Kit ●
102	692077	1	Gasket-Body, Carburetor ●▲
104	690723	1	Pin-Hinge, Float ●▲
108	806134	1	Valve-Choke ●
109	808398	1	Shaft-Choke ●
117	806126	1	Jet-Main ●▲
118	809685	1	Jet-Main (High Altitude) ●
119	690720	1	Screw ●
125	842733	1	Carburetor ●
130	806132	1	Valve-Throttle ●
133	806961	1	Float-Carburetor ●
142	806128	1	Nozzle-Carburetor ●
231	690718	1	Screw ●
255	690721	1	Bushing-Shaft, Choke ●▲
276B	806137	1	Washer-Sealing ●■
633	806131	1	Seal-Shaft, Choke Throttle ●▲
633A	690722	1	Seal-Shaft, Choke Throttle ●▲
681	808798	1	Valve-Needle, Float ●▲
947	692094	1	Solenoid-Fuel ●
1091	691516	1	Cap-Limiter ●▲

● Obtain parts from [www.briggsandstratton.com](http://www.briggsandstratton.com)  
▲ Included in Carburetor Overhaul Kit (Ref. No. 121)

■ Included in Engine Gasket Set (Ref. No. 358)

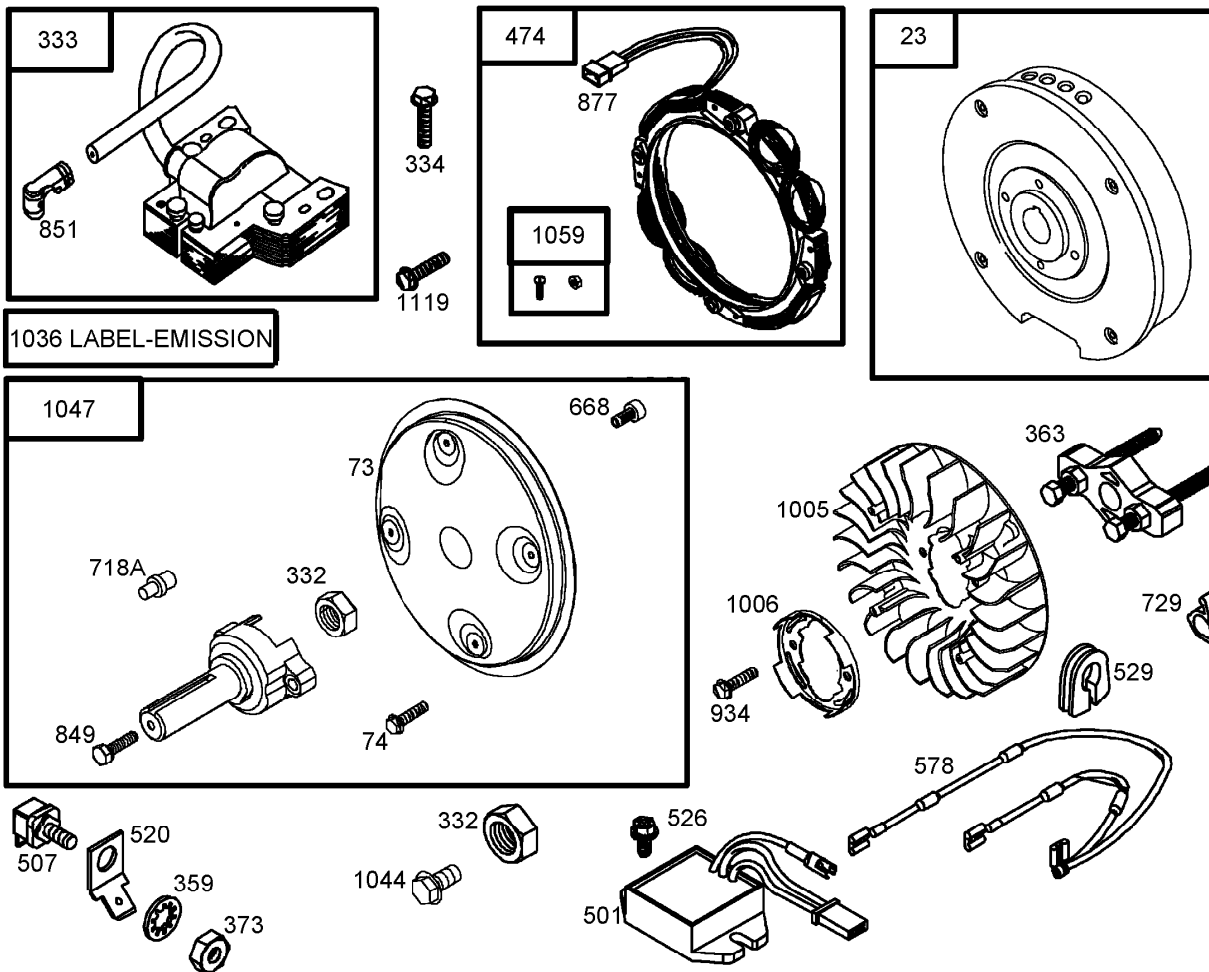


## Governor Assembly Briggs and Stratton 356447-0179-E1

Ref.	Part Number	Qty.	Description	Ref.	Part Number	Qty.	Description
50	690754	1	Manifold-Intake ●	222	808454	1	Bracket-Control ●
51	691694	1	Gasket-Intake ●■	227	690236	1	Lever-Control, Governor ●
51A	692035	1	Gasket-Intake ●■▲	232	692073	1	Spring-Link, Governor ●
54	690676	1	Screw ●	265	691024	1	Clamp-Casing ●
122	690691	1	Spacer-Carburetor ●	267	692083	1	Screw ●
163	692081	1	Gasket-Cleaner, Air ●	278	842122	1	Washer ●
188	692056	1	Screw ●	365	690711	1	Screw ●
203	690923	1	Crank-Bell ●	437	691902	1	Screw ●
205	692083	1	Screw ●	505	690238	1	Nut ●
209	692071	1	Spring-Governor ●	562	690239	1	Bolt ●
211	692069	1	Spring-Idle, Governed ●	613	691902	1	Screw ●
212	690712	1	Link-Throttle ●	883	691613	1	Gasket-Exhaust ●■▲
216	690705	1	Link-Choke ●	1054	280275	1	Tie-Cable ●

● Obtain parts from [www.briggsandstratton.com](http://www.briggsandstratton.com)  
▲ Included in Valve Gasket Set (Ref. No. 1095)

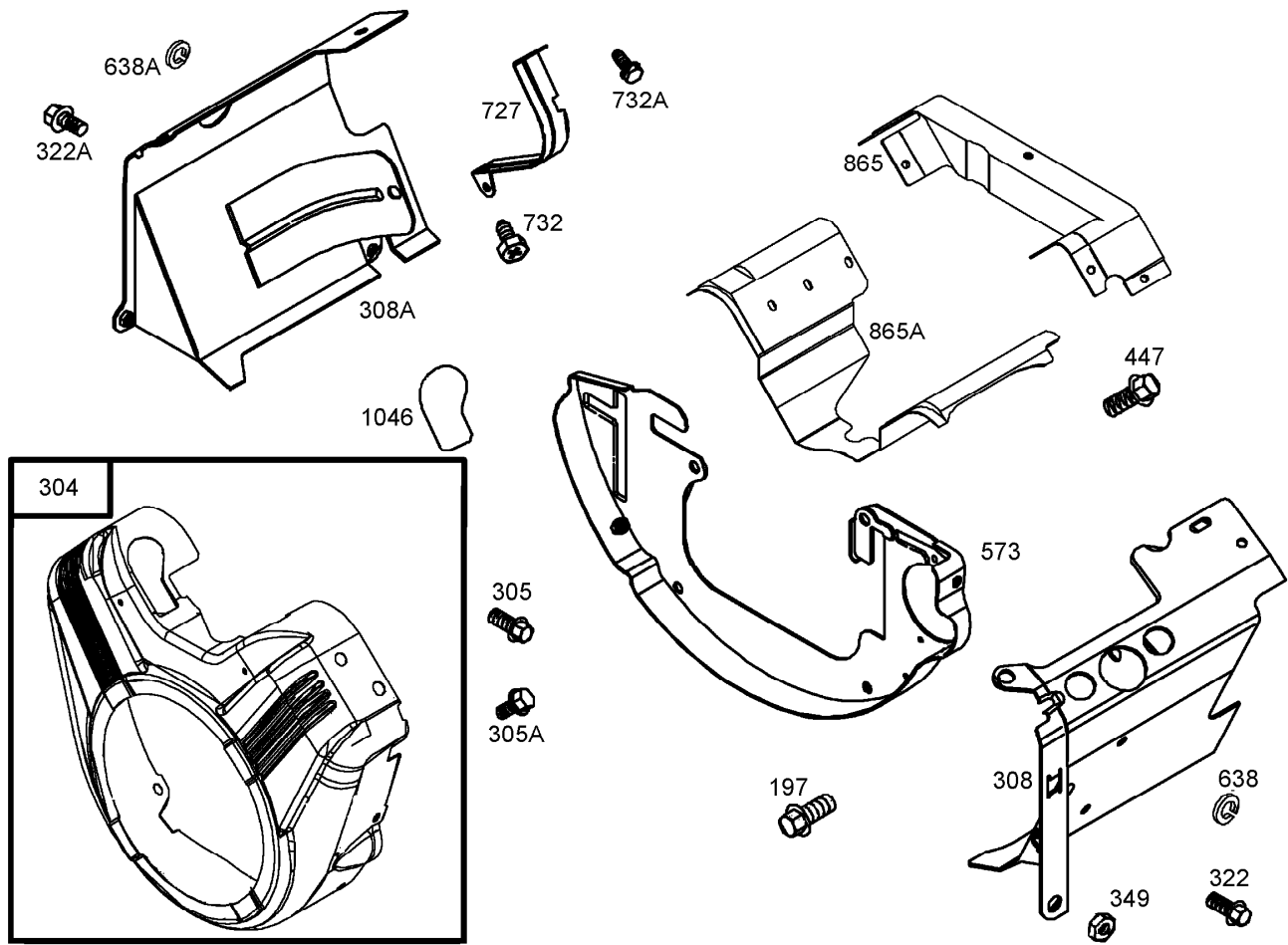
■ Included in Engine Gasket Set (Ref. No. 358)



## Flywheel Assembly Briggs and Stratton 356447-0179-E1

Ref.	Part Number	Qty.	Description	Ref.	Part Number	Qty.	Description
23	809236	1	Flywheel ●	668	691500	1	Spacer ●
73	841582	1	Screen-Rotating ●	718A	841581	1	Pin-Locating ●
74	841441	1	Screw ●	729	690586	1	Clip-Wire ●
332	690887	1	Nut ●	849	691088	1	Screw (Stub Shaft) ●
333	492341	1	Armature-Magneto ●	851	493880	1	Terminal-Spark Plug ●
334	692066	1	Screw ●	877	399916	1	Connector-Wire, Alternator ●
359	691077	1	Washer ●	934	691058	1	Screw ●
363	19203	1	Puller-Flywheel ●	1005	841439	1	Fan flywheel ●
373	691612	1	Nut ●	1006	690452	1	Retainer-Fan ●
474	696458	1	Alternator ●	1036	842669	1	Label emission ●
501	691185	1	Regulator ●	1044	692056	1	Screw ●
507	691972	1	Insulator ●	1047	841580	1	Shaft-Stub ●
520	691084	1	Terminal-Ground ●	1059	698516	1	Screw And Washer Kit ●
526	692067	1	Screw ●	1119	691552	1	Screw ●
529	690744	1	Grommet ●				
578	692319	1	Wire ASM ●				

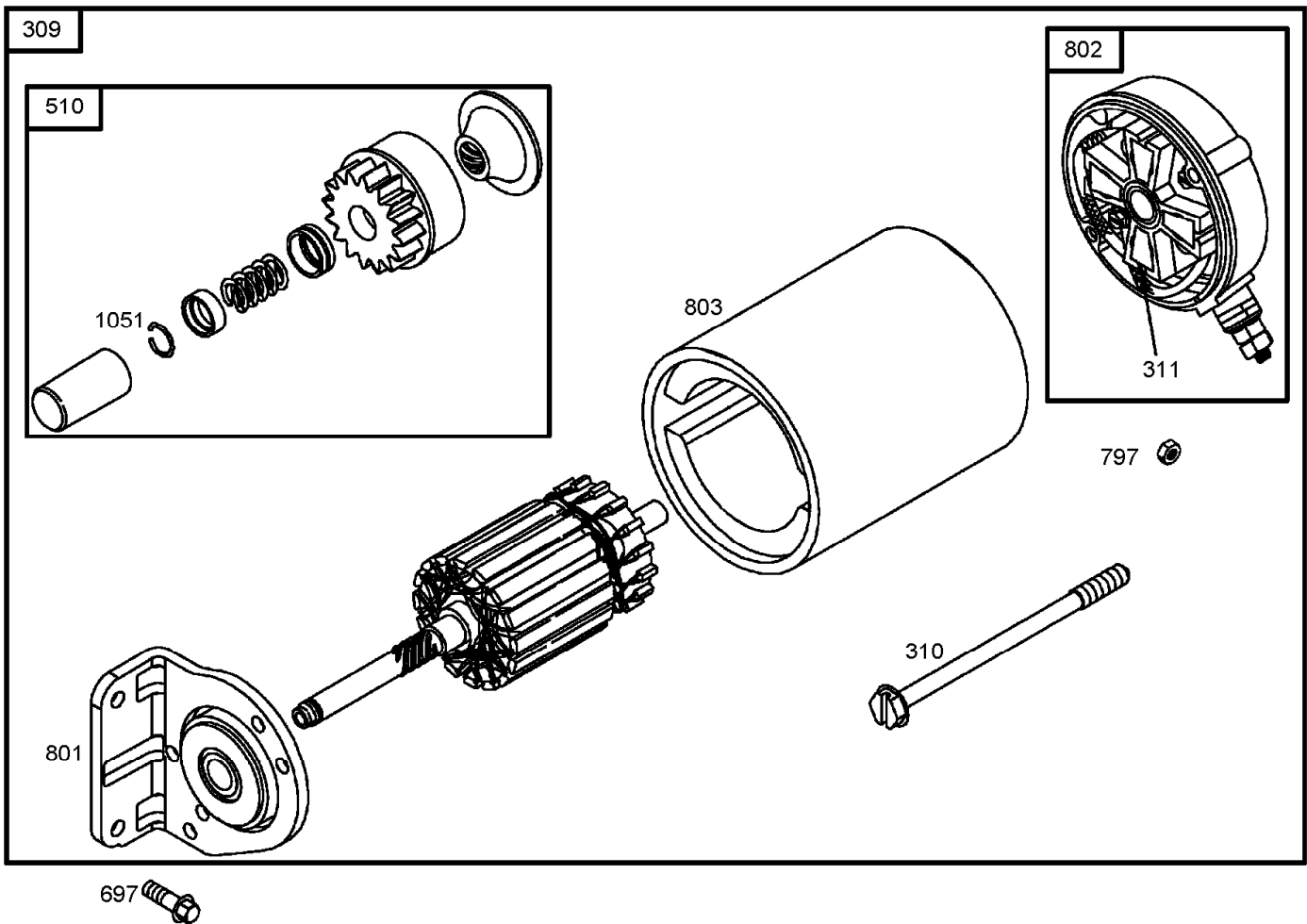
● Obtain parts from [www.briggsandstratton.com](http://www.briggsandstratton.com)



## Blower Housing Assembly Briggs and Stratton 356447-0179-E1

Ref.	Part Number	Qty.	Description
197	807163	1	Screw ●
304	841397	1	Housing blower ●
305	841233	1	Screw ●
305A	692056	1	Screw ●
308	841317	1	Cover-Head, Cylinder (Cylinder 1) ●
308A	841316	1	Cover-Head, Cylinder (Cylinder 2) ●
322	841233	1	Screw ●
322A	692067	1	Screw ●
349	690238	1	Nut ●
447	841233	1	Screw ●
573	841310	1	Plate back ●
638	690706	1	Washer ●
638A	691551	1	Washer ●
727	841313	1	Cover drive, Starter ●
732	690688	1	Screw ●
732A	841233	1	Screw ●
865	841319	1	Cover-Guide, Air ●
865A	807119	1	Cover-Guide, Air ●
1046	692082	1	Plug-Housing, Blower ●

● Obtain parts from [www.briggsandstratton.com](http://www.briggsandstratton.com)

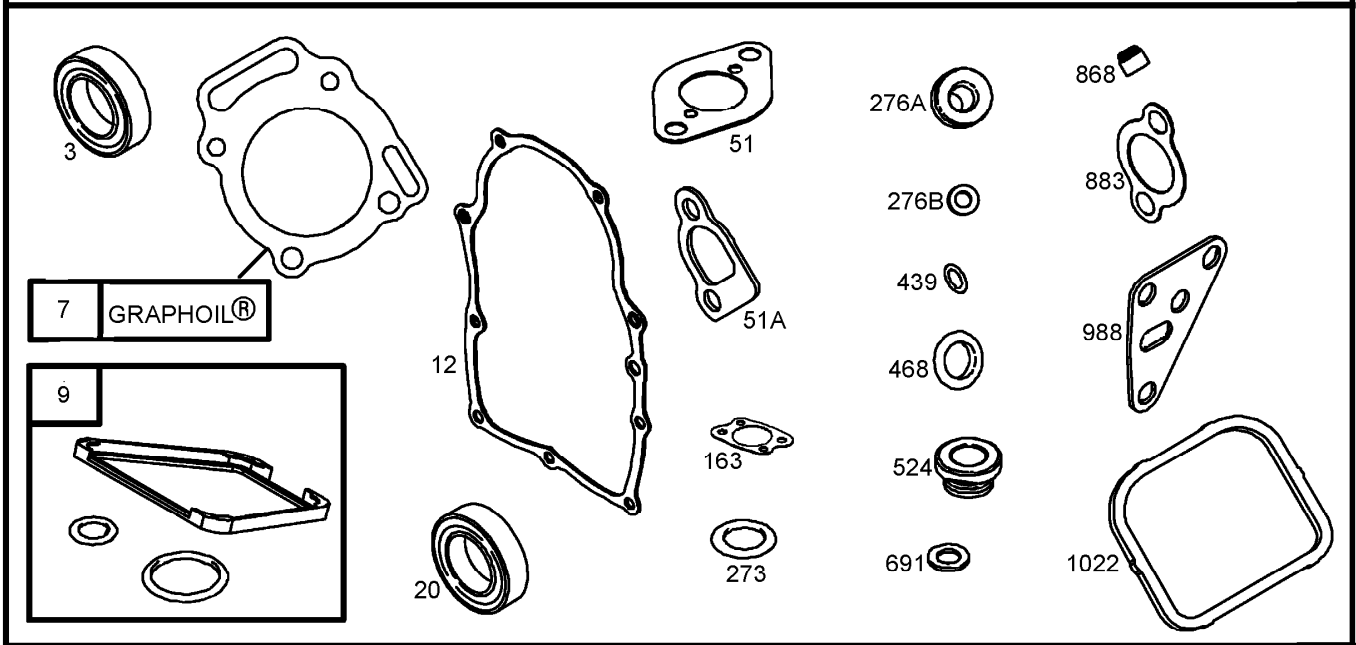


## Starter Assembly Briggs and Stratton 356447-0179-E1

Ref.	Part Number	Qty.	Description
309	691564	1	Motor-Starter ●
310	496880	1	Bolt-Thru ●
311	496887	1	Brush Set ●
510	496881	1	Drive-Starter ●
697	692062	1	Screw ●
797	691029	1	Nut ●
801	808778	1	Cap-Drive ●
802	496813	1	Cap-End ●
803	690854	1	Housing-Starter ●
1051	691124	1	Ring-Lock ●

● Obtain parts from [www.briggsandstratton.com](http://www.briggsandstratton.com)

358 ENGINE GASKET SET

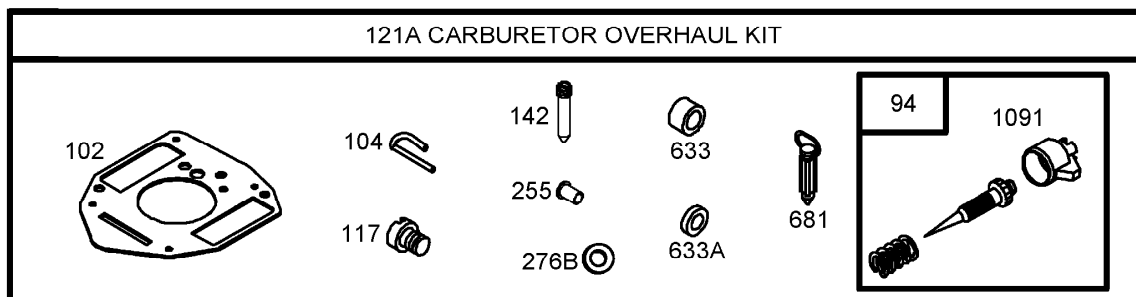
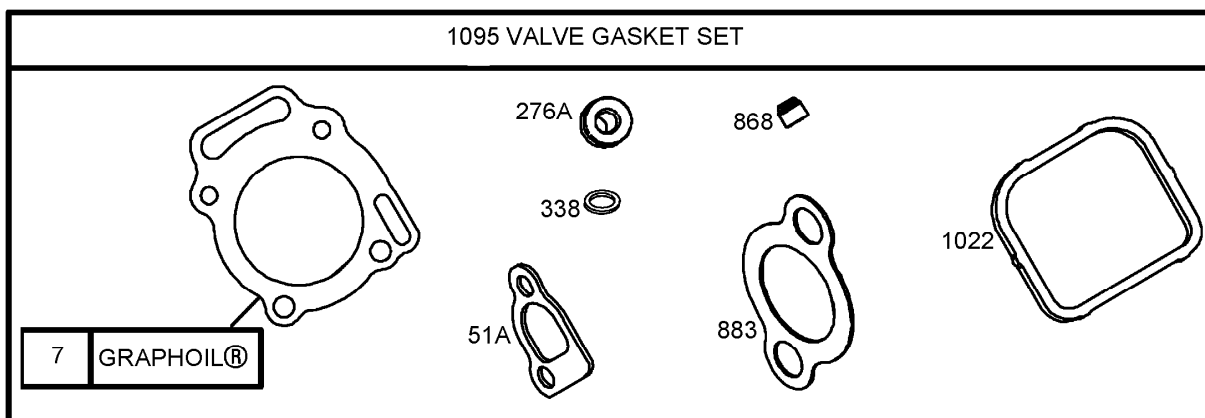


## 358 Engine Gasket Set Briggs and Stratton 356447-0179-E1

Ref.	Part Number	Qty.	Description
3	805101	1	Seal-Oil ●
7	690888	1	Gasket-Head, Cylinder ●■
9	809094	1	Gasket-Breather ●
12	842589	1	Gasket-Crankcase ●
20	805049	1	Seal-Oil ●
51	691694	1	Gasket-Intake ●
51A	692035	1	Gasket-Intake ●■
163	692081	1	Gasket-Cleaner, Air ●
273	690681	1	Seal-O Ring ●
276A	807085	1	Washer-Sealing ●
276B	806137	1	Washer-Sealing ●
358	841188	1	Engine Gasket Set ●
439	692154	1	Seal-O Ring ●
468	690690	1	Seal-O Ring ●
524	693172	1	Seal-Tube, Dipstick ●
691	690680	1	Seal-Shaft, Governor ●
868	691963	1	Seal-Valve ●■
883	691613	1	Gasket-Exhaust ●■
988	692063	1	Gasket-Adapter, Oil Filter ●
1022	806039	1	Gasket-Cover, Rocker ●■

● Obtain parts from [www.briggsandstratton.com](http://www.briggsandstratton.com)

■ Included in Valve Gasket Set (Ref. No. 1095)



## 1095 Valve Gasket Set and 121A Carburetor Overhaul Kit Briggs and Stratton 356447-0179-E1

Ref.	Part Number	Qty.	Description
7	690888	1	Gasket-Head, Cylinder ●■
51A	692035	1	Gasket-Intake ●■
94	808399	1	Idle Mixture Kit ●
102	692077	1	Gasket-Body, Carburetor ●
104	690723	1	Pin-Hinge, Float ●
117	806126	1	Jet-Main ●
121A	809024	1	Carburetor Overhaul Kit ●
142	806128	1	Nozzle-Carburetor ●
255	690721	1	Bushing-Shaft, Choke ●
276A	807085	1	Washer-Sealing ●■
276B	806137	1	Washer-Sealing ●■
338	691312	1	Seal-O Ring ●■
633	806131	1	Seal-Shaft, Choke Throttle ●
633A	690722	1	Seal-Shaft, Choke Throttle ●
681	808798	1	Valve-Needle, Float ●
868	691963	1	Seal-Valve ●■
883	691613	1	Gasket-Exhaust ●■
1022	806039	1	Gasket-Cover, Rocker ●■
1091	691516	1	Cap-Limiter ●
1095	841191	1	Valve Gasket Set ●

● Obtain parts from [www.briggsandstratton.com](http://www.briggsandstratton.com)

■ Included in Engine Gasket Set (Ref. No. 358)



# Attachments and Accessories

## For 08705 Sand/Infield Pro 5040 Traction Unit

<b>Product Name</b>	<b>Model/Part</b>
Front Lift Frame .....	08712
Manual Blade.....	08714
Midmount Toolbar System .....	08731
Tooth Rake .....	08751
Spring Rake.....	08752
Rear Broom .....	08753
Finish Grader.....	08754
Spiker .....	08755
Drag Mat Carrier System .....	08756
Debris Blower .....	08759
QAS Utility Box .....	08760
Rear Remote Hydraulic Kit .....	08781
Front Remote Hydraulics .....	08782
Screen-Spark Arrestor.....	104-6540
Yellow Hydraulic Cap.....	107-1576
Red Gas Cap.....	107-2173
Light Kit.....	110-1314
Speed Limiter Kit .....	110-1371
Draw Bar Hitch Assembly .....	110-1375
MVP Maintenance Kit .....	110-8117
Smooth Wheel and Tire ASM.....	112-0034
Drag Mat Assembly .....	112-1424
Variable Orifice Kit .....	112-1433
Wheel and Tire Assembly .....	94-6126

**Notes:**

**Notes:**



**Count on it.**