



Trash Bag Kit

GrandStand® Mower

Model No. 121-7530

Installation Instructions

Install this kit on the left side of the machine. Installing it on the left side allows for installation of the Chute Gate Kit on the right side.

Loose Parts

Use the chart below to verify that all parts have been shipped.

Procedure	Description	Qty.	Use
1	Bag bracket	1	Install the bag bracket to the mower
	Bolt, 3/8 x 1 inch (thread forming)	2	
2	Cup holder	1	Install the cup holder
	Screw, #10 x 5/8 inch	2	
	Flat washer	2	
	Lock nut, #10	2	
3	Trash bag	1	Install the trash bag

1

Installing the Bag Bracket to the Mower

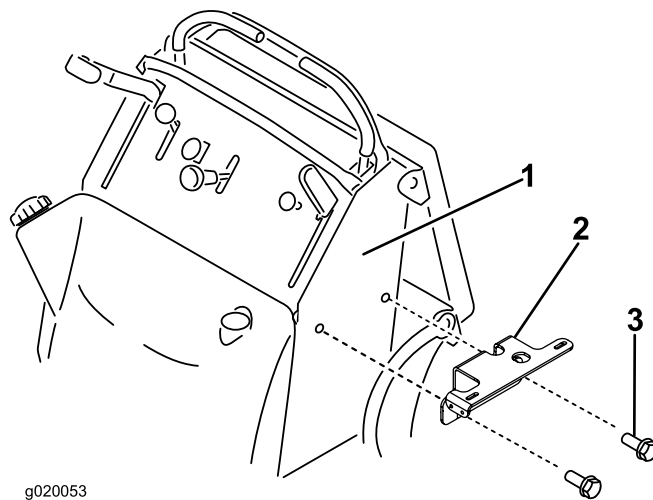
Parts needed for this procedure:

1	Bag bracket
2	Bolt, 3/8 x 1 inch (thread forming)

Procedure

Installing this kit on the left side allows for installation of the Chute Gate Kit on the right side.

Install the bracket to the side of the machine with 2 bolts (3/8 x 1 inch) (Figure 1). The bolts are thread forming bolts. The holes do not require tapping.



g020053

Figure 1

- 1. Left side of machine
- 2. Bracket
- 3. Bolt, (3/8 x 1 inch)

2

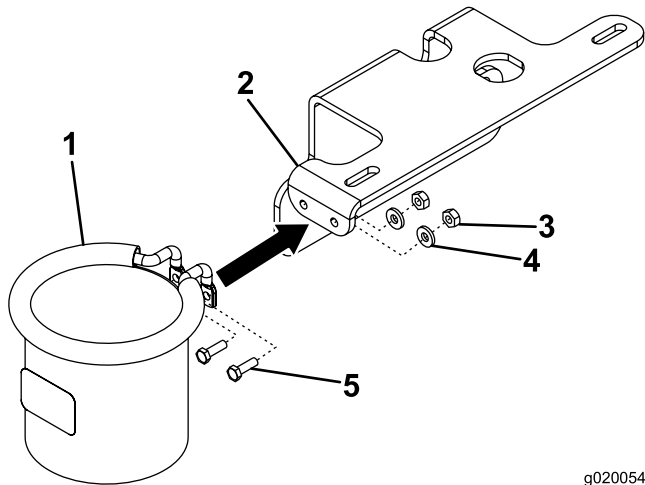
Installing the Cup Holder

Parts needed for this procedure:

1	Cup holder
2	Screw, #10 x 5/8 inch
2	Flat washer
2	Lock nut, #10

Procedure

Install the cup holder to the bag bracket with 2 (#10 x 5/8 inch) screws, 2 washers and 2 lock nuts (#10) (Figure 2). Position the washers between the bracket and the lock nuts.



g020054

Figure 2

- 1. Cup holder
- 2. Bag bracket
- 3. Lock nut (#10)
- 4. Washer
- 5. Screw (#10 x 5/8 inch)

3

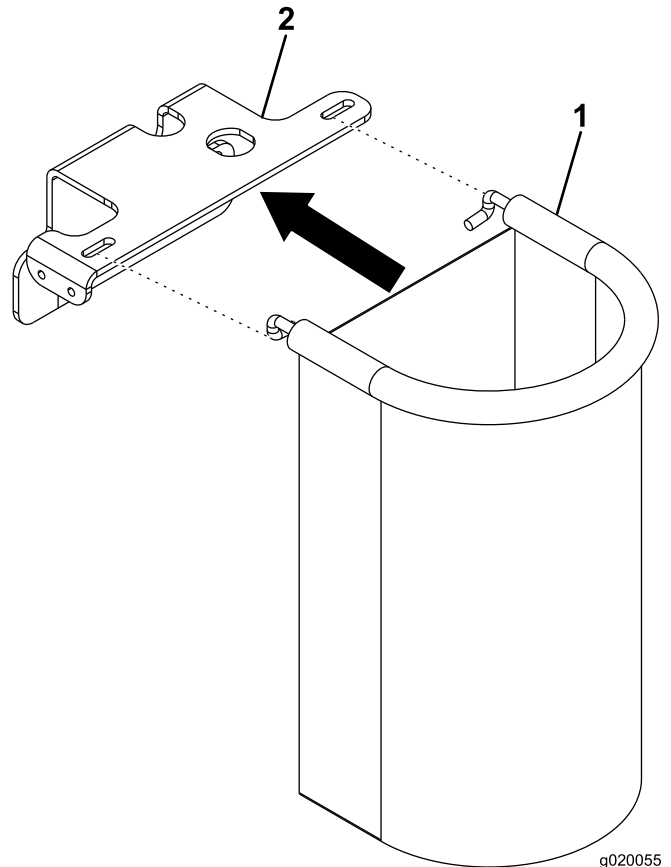
Installing the Trash Bag

Parts needed for this procedure:

1	Trash bag
---	-----------

Procedure

Install the trash bag into the slots in the bag bracket (Figure 3).



g020055

Figure 3

- 1. Trash bag
- 2. Bag bracket