



50in Recycler® Kit

TimeCutter® MX Series Riding Mower

Model No. 79024

Installation Instructions

Installation

Loose Parts

Use the chart below to verify that all parts have been shipped.

Description	Qty.	Use
Right-hand baffle assembly	1	Install the Recycler® Kit.
Left-hand baffle assembly	1	
Flanged kicker	3	
Recycler bracket	1	
Self-tapping screw	8	
Flange nut (5/16 inch)	6	
Carriage bolt (5/16 x 3/4 inch)	1	
Decal	1	
Mulching blade	3	
No parts required	—	Convert the mower deck back to side-discharging.

Installing the Recycler® Kit

1. Stop the engine and remove the ignition key.
2. Remove the mower deck as described in your *Operator's Manual*.
3. Turn the mower deck upside down.
4. Remove the existing mower blades installed on your mower deck.

Note: Refer to the Removing the Blades section in the *Operator's Manual* for more information.

5. Remove any debris and grass clippings from the underside of the mower deck.
6. Locate the cutoff baffle at the side discharge opening on the mower deck (Figure 1).

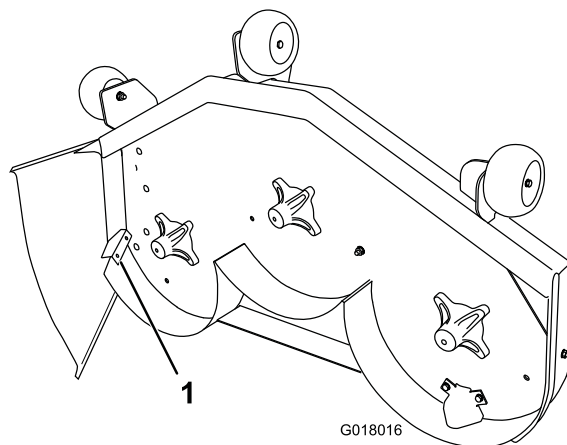


Figure 1

1. Cutoff baffle (existing)
-
7. Remove the fasteners that secure the cutoff baffle to the mower deck and remove the cutoff baffle.

Note: Save the cutoff baffle for converting back to side discharge.
 8. Install the fasteners into the same holes in the mower deck from which they were originally removed.

Note: This ensures that no holes are left open when you operate the mower deck.

⚠ DANGER

Open holes in the mower deck expose you and others to thrown debris. Debris thrown out of the holes in the mower deck can cause injury.

- Never operate the mower deck without hardware mounted in all holes in the mower deck.
- Install hardware in the mounting holes when you remove the baffle.

9. Remove the plug bolts and nuts at the locations shown in Figure 2.

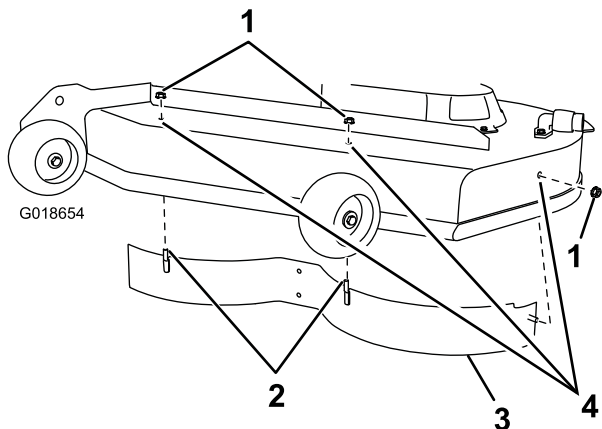


Figure 2

- | | |
|------------------------------------|---|
| 1. Locknut (5/16 inch) | 3. Left baffle |
| 2. Carriage bolt (5/16 x 3/4 inch) | 4. Remove the plug bolts and nuts here. |

10. Install the left-hand baffle to the mower deck using 3 locknuts (5/16 inch) to secure the welded posts of the left-hand baffle to the top of the mower deck at the positions shown in Figure 2.

Note: Hand tighten the fasteners.

11. Tighten all fasteners securely.

12. Install the right-hand baffle to the mower deck as shown in Figure 3.

Note: Remove the plug bolt and nut shown in Figure 3 before installing the baffle.

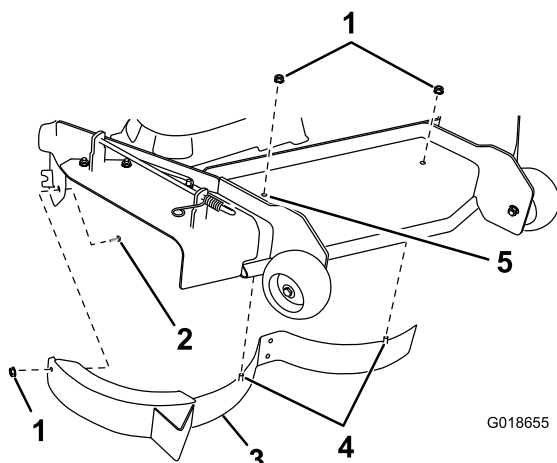


Figure 3

The deflector has been removed for the purpose of clarity.

- | | |
|------------------------------------|--|
| 1. Flange nut (5/16 inch) | 4. Welded posts |
| 2. Carriage bolt (5/16 x 3/4 inch) | 5. Remove the plug and bolt here before installing the baffle. |
| 3. Right-hand baffle | |

Note: Use 2 locknuts (5/16 inch) to secure the welded posts of the right baffle to the top of the mower deck at center and right of center positions. Hand tighten the fasteners.

13. Install a carriage bolt (5/16 x 3/4 inch) and a locknut (5/16 inch) through rear wall of the mower deck and the right-hand baffle to secure the baffle to the mower deck (Figure 3).

14. Tighten all fasteners.

15. Install the Recycler bracket with 2 self-tapping screws (5/16 x 3/4 inch) at the location shown in Figure 4.

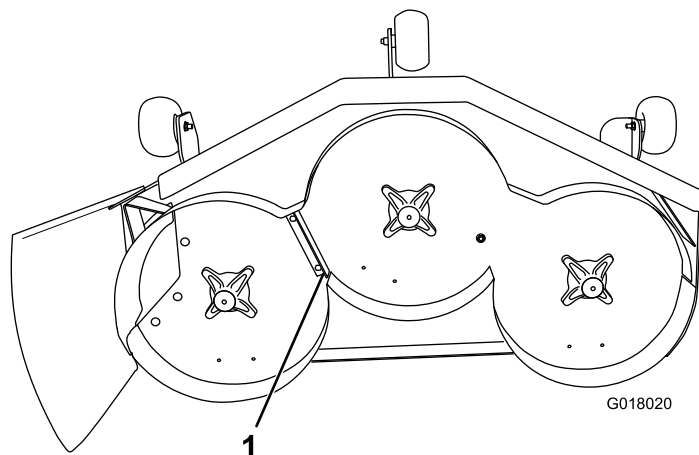


Figure 4

1. Recycler bracket

16. Install the kickers to the underside of the mower deck with 6 self-tapping screws (5/16 x 3/4 inch) at the locations shown in Figure 5.

Converting the Mower Deck Back to Side-discharging

Reverse the steps in the procedure Installing the Recycler Kit above.

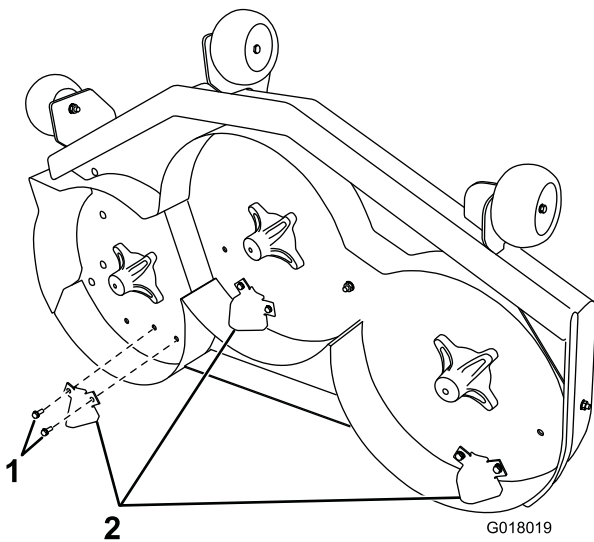


Figure 5

1. Flange screws (5/16 x 3/4 inch)
2. Kickers

17. Install the decal to the area shown in Figure 6.

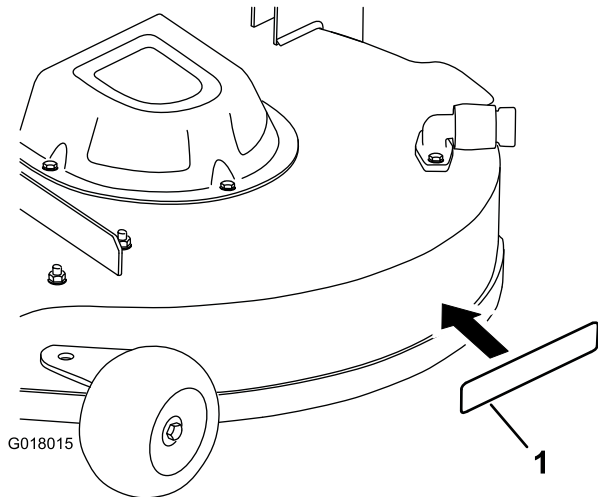


Figure 6

1. Decal

- A. Thoroughly clean the area where you will install the decal.
- B. Dampen the area with water or mildly soapy water.
- C. Peel the decal from the backing and install it in place (Figure 6).
- D. Squeegee across the surface of the decal, starting at the center of the decal and working toward the edges, using overlapping strokes.

18. Install the mulching mower blades located in loose parts.

Note: Refer to the Installing the Blades section in the *Operator's Manual* for more information.

Operation

Operating Tips

Selecting the Proper Height-of-Cut Setting to Suit the Conditions

Remove approximately one inch or no more than 1/3 of the grass blade when cutting. In exceptionally lush and dense grass you may need to raise the height-of-cut setting another notch or convert to side-discharging or bagging operations.

Long Grass

If the grass has grown slightly longer than normal, or if it contains a high degree of moisture, raise the cutting height higher than usual and cut the grass at this setting. Then cut the grass again using the lower, normal setting.

Mowing in Extreme Conditions

Air is required to cut and recut grass clippings in the mower deck, so do not set the height-of-cut too low or totally surround the housing by uncut grass. Always have one side of the mower deck free from uncut grass, allowing air to be drawn into the housing. When making an initial cut through the center of the uncut area, operate the machine at a slower speed and back up if the mower deck starts to clog.

Mowing at the Proper Intervals

Under normal conditions you'll need to mow every 4 to 5 days. However, grass grows at different rates at different times. Thus, in order to maintain the same height-of-cut, which is a good practice, you'll need to cut more frequently in early spring; as the grass growth rate slows in mid summer, cut only every 8 to 10 days. If you are unable to mow for an extended period due to the weather conditions or other reasons, convert to side-discharging or bagging options or mow first with the height-of-cut at a high level; then mow again 2 to 3 days later at a lower height setting.

Always Mow with Sharp Blades

A sharp blade cuts cleanly and without tearing or shredding the grass blade like a dull blade. Tearing and shredding causes the grass to turn brown at the edges, which impairs growth and increases susceptibility to disease.

Cleaning After Operating

To ensure optimum performance, clean the underside of the mower deck. If residue is allowed to build up in mower deck, cutting performance will decrease.