



312-8 GT-CLASSIC
GARDEN TRACTOR

Model No. 73363 – 790001 & UP

Parts Catalog

ORDERING REPLACEMENT PARTS

To order replacement parts, please supply: the part number, the quantity, and the description of each part desired.

Contents

Description	Page	Description	Page
Hood Assembly	1	Transmission 8-Speed 4 Pinion	19
Frame Axle and Steering System	2	Transmission 8-Speed 4 Pinion (Continued)	20
Hoodstand, Console	3	Air Cleaner	21
Footrest & Hoodstand Side Covers	4	Carburetor	22
Gauges, Warning Lights & Controls	5	Governor Linkage	23
Manual Lift System	6	Fuel Pump	24
Clutch	7	Baffles And Shrouds	25
Brake	8	Breather And Vent	26
Fender, Seat & Tail Lights	9	Flywheel	27
PTO Clutch, Cover And Belt Guides	10	Ignition System	28
PTO Clutch System	11	Crankcase And Cylinder Head	29
Engine Assembly	12	Camshaft, Crankshaft And Valves	30
Transmission Assembly	13	Piston And Rings	31
Wheel Assemblies	14	Oil Pan And Dipstick	32
Hitch Assembly	15	Starter	33
Battery Assembly	16	312-8 Wire Harness Attachment & Component's	36
Fuel Tank Assembly	17	Wire Harness & Cable Routing	34
Hoodstand Electrical Housing & Wire Harness ..	18	Electric Schematic	35

Part Description Abbreviations

Part descriptions in this catalog may include the following abbreviations.

Abbreviation	Meaning	Abbreviation	Meaning
AR	as required	HWHTF	hex washer head thread forming
ASM	assembly	INC	incorporated
CARR	carriage	LH	left hand
DEG	degrees	PH	pan head
FH	flat head	PPH	Phillips pan head
GA	gauge	PTO	power take off
HF	hex flange	RH	right hand
HFW	hex flange washer	SFH	slotted fillister head
HH	hex head	SH	square head
HHF	hex head flange	SHWH	slotted hex washer head
HHST	hex head self tapping	SPH	slotted pan head
HJ	hex jam	STD	standard
HOC	height-of-cut	TAP	self tapping
HS	hex socket	TH	truss head
HSBH	hex socket button head	TTH	Torx truss head
HSFH	hex socket flat head	WH	wing head
HSH	hex socket head		
HWH	hex washer head		

Important Format Explanations

This catalog uses special formats to convey information in illustrations and parts lists. Specifically, one format is used in conjunction with service assemblies and another with quantities associated with reference numbers.

Service Assemblies

Parts within service assemblies have reference numbers in the form $X:Y$. X is the reference number of the service assembly and Y is a sequential number unique to each part within the service assembly.

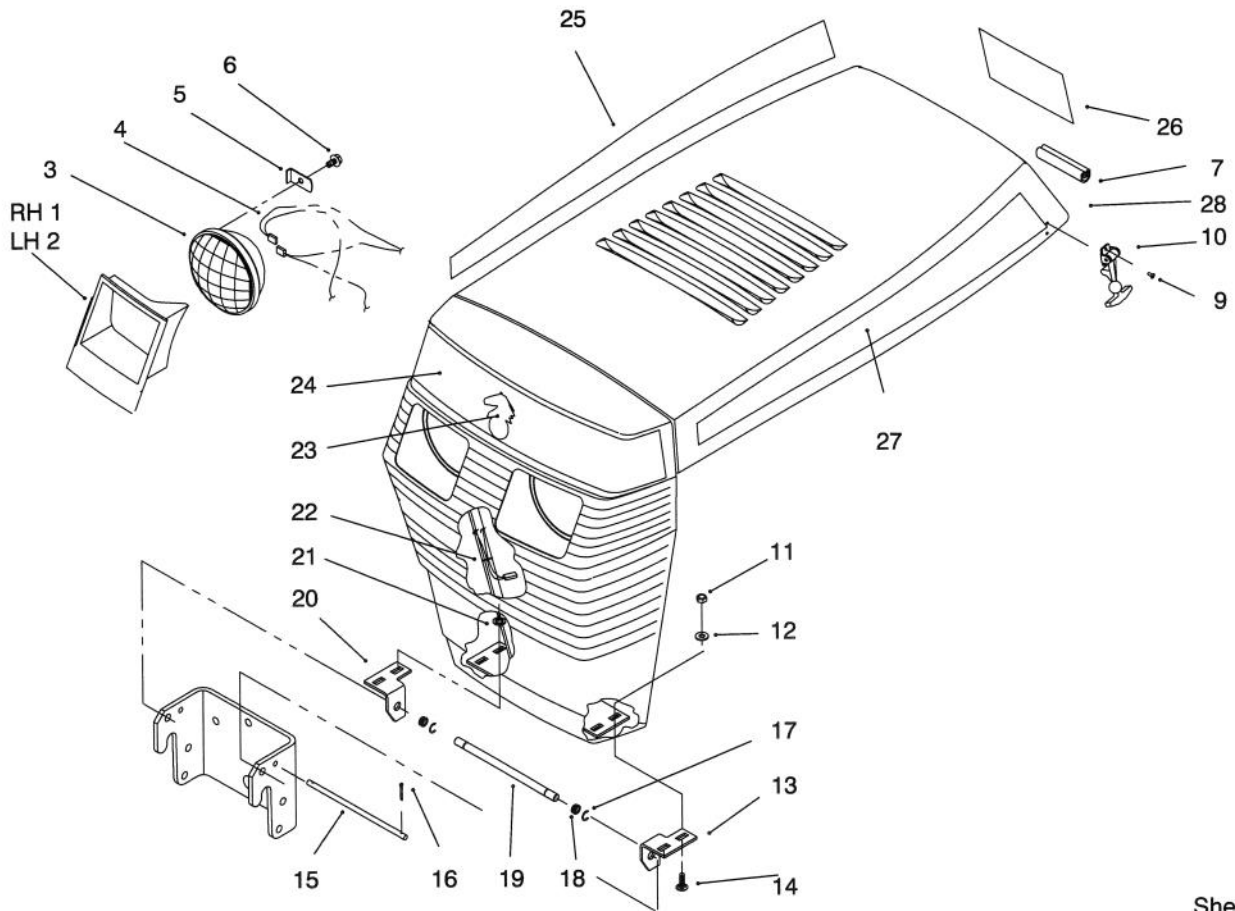
For example, a wheel assembly might be identified by reference number 6, the tire by 6:1, the valve by 6:2, and the wheel by 6:3. When you order the assembly identified by reference number 6, you receive all parts identified by reference numbers 6:1, 6:2, and 6:3. However, you may also order any part individually.

Reference numbers of this type appear in part lists and as callouts in illustrations.

Reference Numbers with Quantities

Illustrations may have a quantity in parentheses next to a reference number, in the form $X (Y)$. X is the reference number. Y in parentheses is the quantity of the part identified by the reference number.

For example, the illustration callout 4 (2) indicates that two parts are used in that instance.

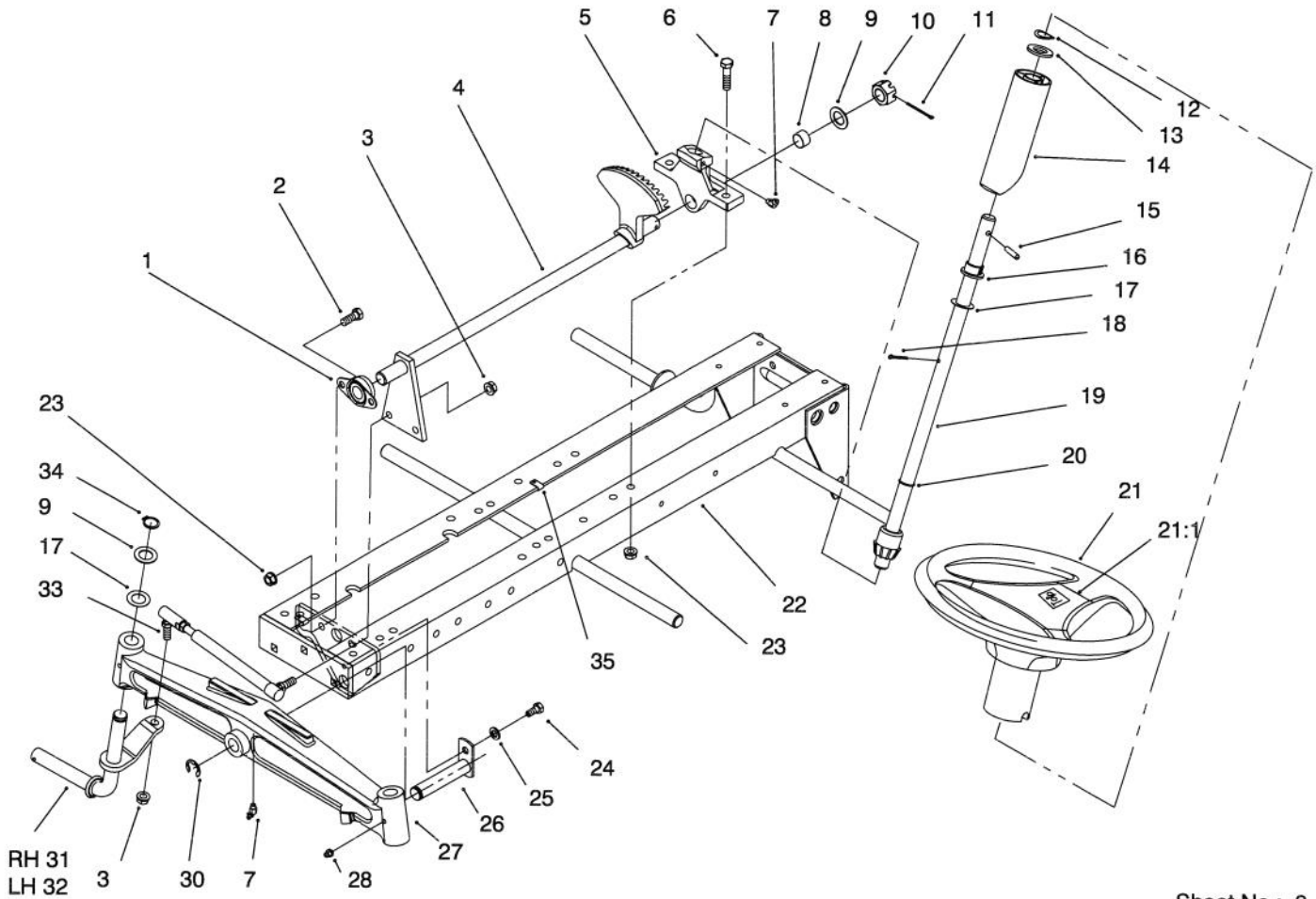


Sheet No.: 2

Hood Assembly

Ref. No.	Part No.	Qty.	Description
1	109495	1	Bezel-LH Headlight
2	109494	1	Bezel-RH Headlight
3	102881	2	Headlamp
4	108130	1	Wire-Ground
5	109459	2	Clamp-Headlight
6	9266714	2	Screw-HWHTF
7	111757	1	Edging
9	117432	4	Poprivet
10	117344	2	Handle-Latch
11	3296-42	4	Nut-Lock
12	3256-22	3	Washer-Flat
13	116747	1	Bracket-Grill LH
14	3229-25	4	Screw-CARR
15	101850	1	Rod-Hood Stop
16	3272-1	2	Pin-Cotter
17	5979	2	Bushing-Nyliner
18	105797	2	Ring-Retaining
19	116745	1	Rod-Grill Pivot
20	116746	1	Bracket-Grill RH
21	3254-2	1	Washer-Lock
23	94-3736	1	Plate-Logo
24	92-9826	1	Decal-Front Hood
25	92-9825	1	Decal-Hood RH
26	92-9837	1	Decal-Danger
27	92-9824	1	Decal-Hood LH
28	112358	1	ASM-Hood & Grill

Ref. No.	Part No.	Qty.	Description

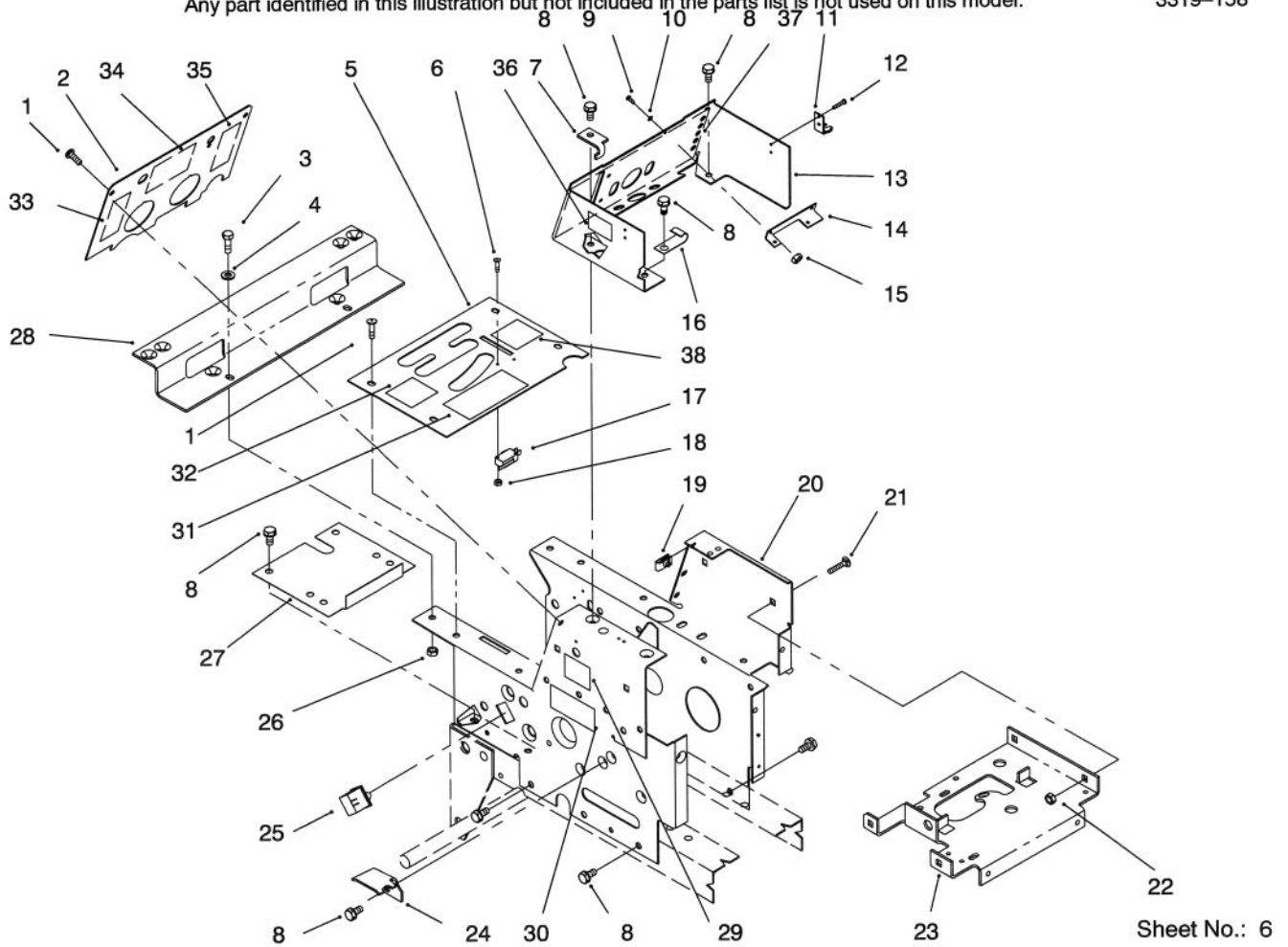


Sheet No.: 3

Frame Axle and Steering System

Ref. No.	Part No.	Qty.	Description
1	6472	1	Bearing-Flanged
2	323-6	2	Screw-HH
3	3296-6	4	Nut-Lock
4	78-2880-01	1	Shaft-Steering
5	88-2710-01	1	Support-Lower Steering
6	323-8	2	Screw-HH
7	302-11	2	Fitting-Grease
8	6397	1	Bearing-Bronze
9	1278	3	Washer-Shim
10	32136-5	1	Nut-Slotted
11	3272-19	1	Pin-Cotter
12	7896	1	Washer-Bowed
13	109262	2	Washer
14	113443	1	Tube-Steering Shaft
15	32121-111	1	Pin-Spiral
16	109189	1	Bearing-Flange
17	5210	14	Washer-Shim
18	3272-21	1	Pin-Cotter
19	92-4987	1	Steering Shaft
20	237-69	1	O-Ring
21	94-3519	1	Wheel-Steering
21:1	88-3870	1	Cover-Steering Wheel
22	94-6673-01	1	Frame
23	3296-39	4	Nut-Lock
24	322-1	1	Screw-HH

Ref. No.	Part No.	Qty.	Description
25	3253-4	1	Washer-Lock
26	6216	1	Pin-Pivot
27	5638-01	1	Axle-Front
28	302-5	2	Fitting-Grease
30	5618	1	Ring-Retaining
31	113379	1	Spindle-LH
32	113380	1	Spindle-RH
33	78-2900	2	ASM-Rod
34	32120-93	2	Snap Ring
35	8519	2	Clip-Wire

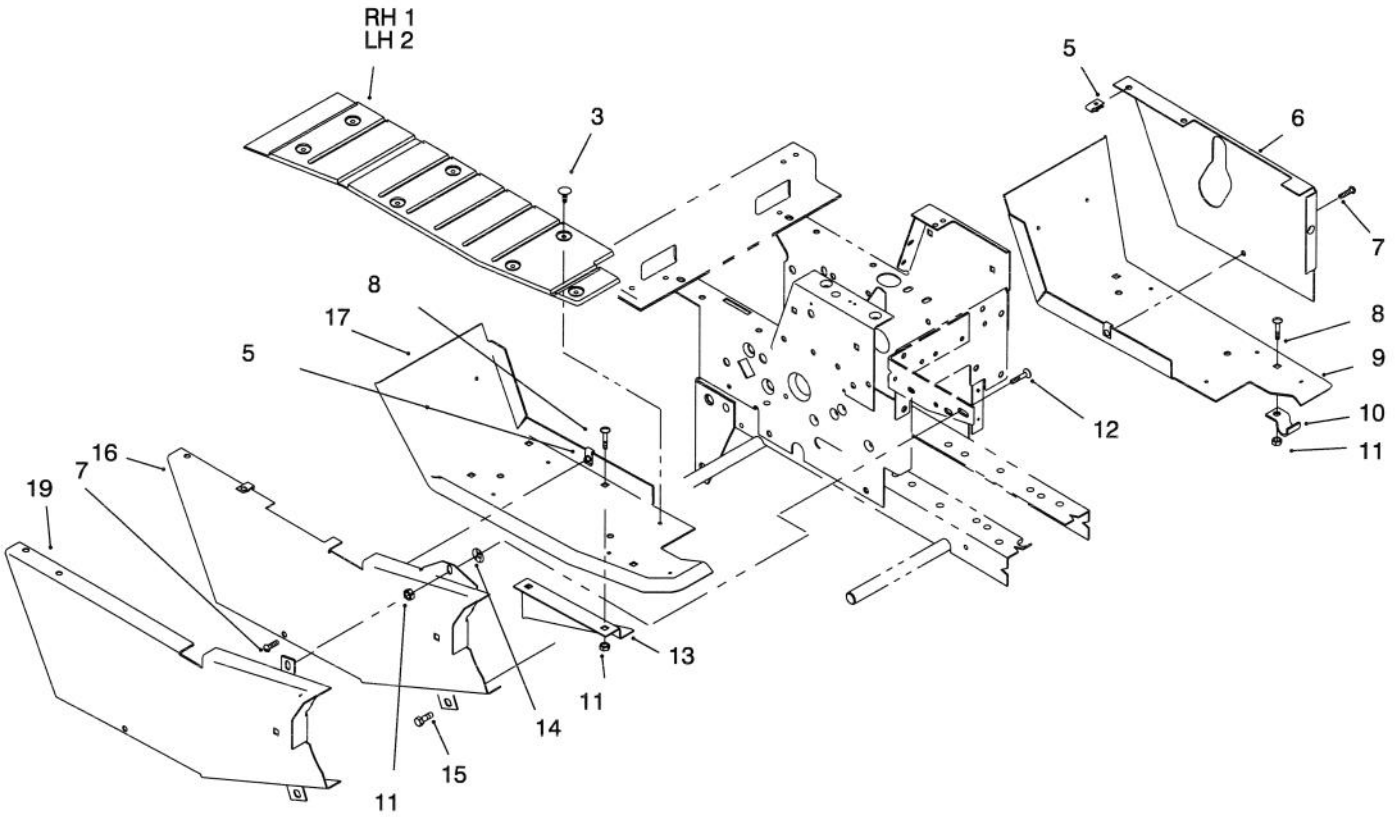


Sheet No.: 6

Hoodstand, Console

Ref. No.	Part No.	Qty.	Description
1	9108372	6	Screw-Phcr
2	94-1808-03	1	Plate-Hoodstand
3	322-5	2	Screw-HH
4	3256-23	2	Washer-Flat
5	111386-03	1	Plate-Shift
7	112415	1	Stop-PTO
8	9266944	11	Screw-HH
11	117343	2	Latch-Hood
12	117432	4	Poprivet
13	79-3640-03	1	Console
16	111392	1	Retainer
19	107069	4	Nut-Retainer
20	92-1525-03	1	Hoodstand
21	117371	4	Screw-CARR
22	9151126	4	Nut
23	78-3010-03	1	Bracket-Battery Support
24	88-2170-03	1	Bracket-Belt
25	103480	1	Switch-Interlock
26	3296-29	2	Nut-Lock
27	106250-03	1	Cover-Dust
28	107951-03	1	Bracket-Fender Front
30	92-9828	2	Decal-312 8 Speed
31	92-8946	1	Decal-Danger
32	111534	1	Decal-Shift Pattern
33	111960	1	Decal-PTO Clutch

Ref. No.	Part No.	Qty.	Description
34	79-2470	1	Decal-Back Plate
35	112168	1	Decal-Lift
36	111926	1	Decal-Elec System
37	79-5810	1	Decal-Console
38	111510	1	Decal-Parking Brake

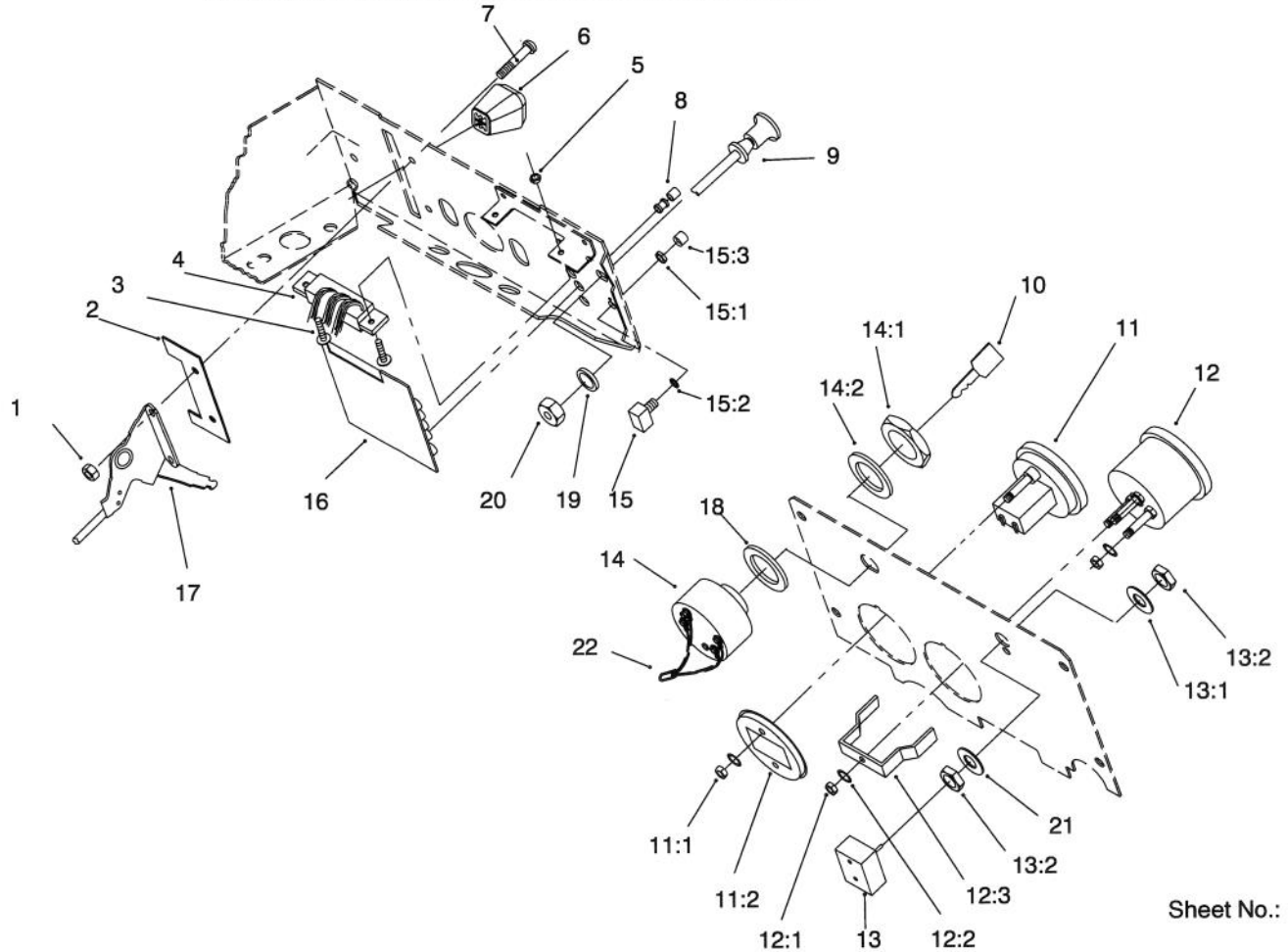


Sheet No.: 9

Footrest & Hoodstand Side Covers

Ref. No.	Part No.	Qty.	Description
1	94-3710	1	Mat-Foot RH
2	94-3712	1	Mat-Foot LH
3	3290-479	16	Fastener-Panel
5	107069	6	Nut-Retainer
6	113935-01	1	Cover-Side LH
7	9108372	2	Screw-Phcr
8	116000	6	Screw-CARR
9	94-3522-01	1	Footrest LH
10	7456	4	Clamp
11	3296-29	7	Nut-Lock
12	3230-1	1	Bolt-CARR
13	106352-01	1	Guard-Lower Belt
14	108457	1	Nut-Push On
15	9266944	1	Screw-HH
17	94-3521-01	1	Footrest RH
19	94-3724-01	1	Belt Guard

Ref. No.	Part No.	Qty.	Description

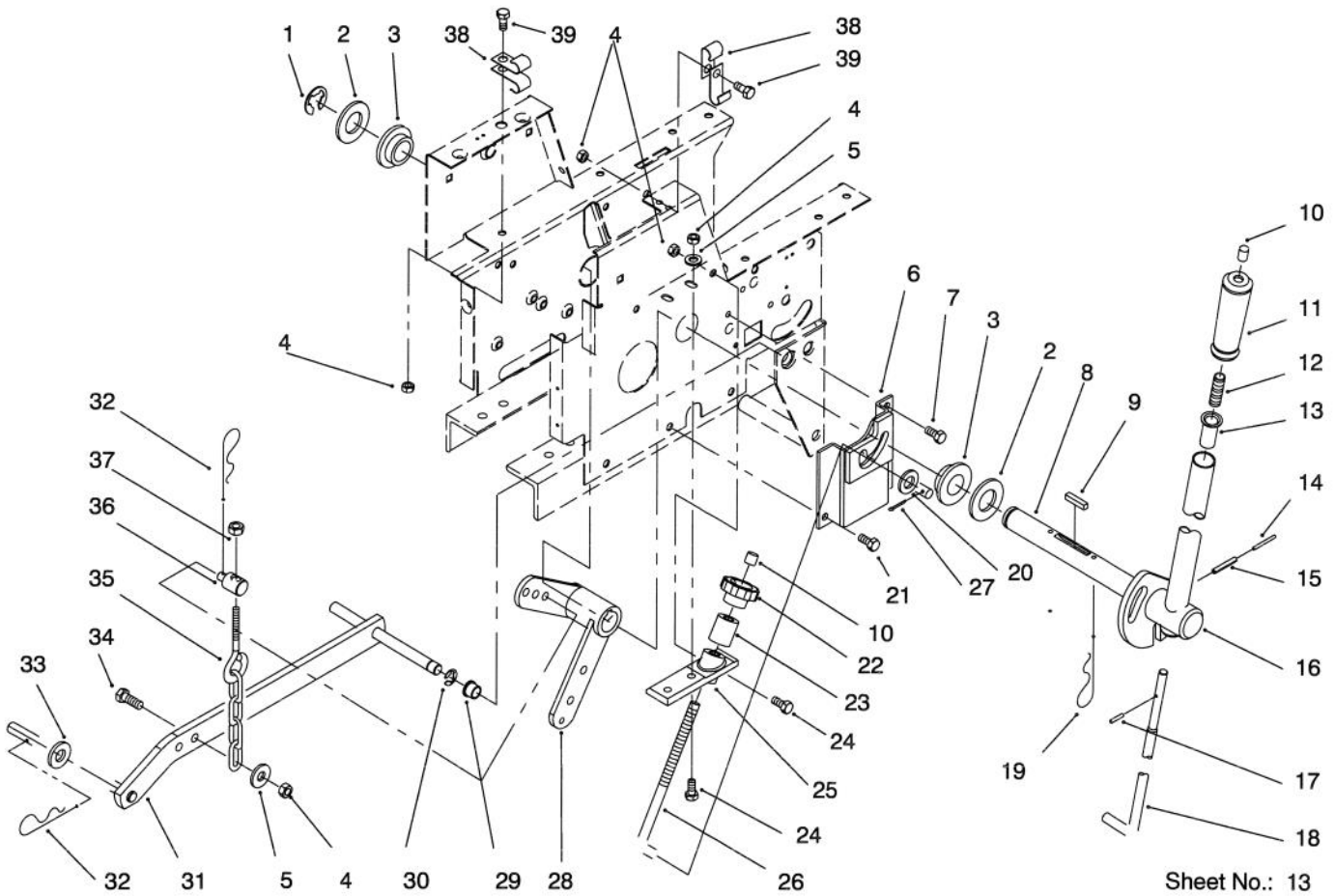


Sheet No.: 10

Gauges, Warning Lights & Controls

Ref. No.	Part No.	Qty.	Description
1	9157404	2	Nut
2	120590-03	1	Stop-Throttle
6	66-0120	1	Knob
7	9107922	2	Screw-Phcr
9	112214	1	Control-Choke
10	62-7770	2	Key-Ignition
11	94-3723	1	Hourmeter
11:1	32149-9	2	Nut/Washer-Lock
11:2	94-1849	1	Cup-Retainer
13	102138	1	ASM-Switch
13:1	102950	1	Washer-Tab
13:2	113179	1	Nut-Hex (Facenut)
14	116338	1	ASM-Switch
14:1	101884	1	Nut
14:2	920104	1	Washer-Lock
17	115854	1	Control-Throttle
18	9202624	1	Washer-Flat
19	3256-37	1	Washer-Flat
20	109530	1	Nut-Hex Palnut
21	9202594	1	Washer

Ref. No.	Part No.	Qty.	Description

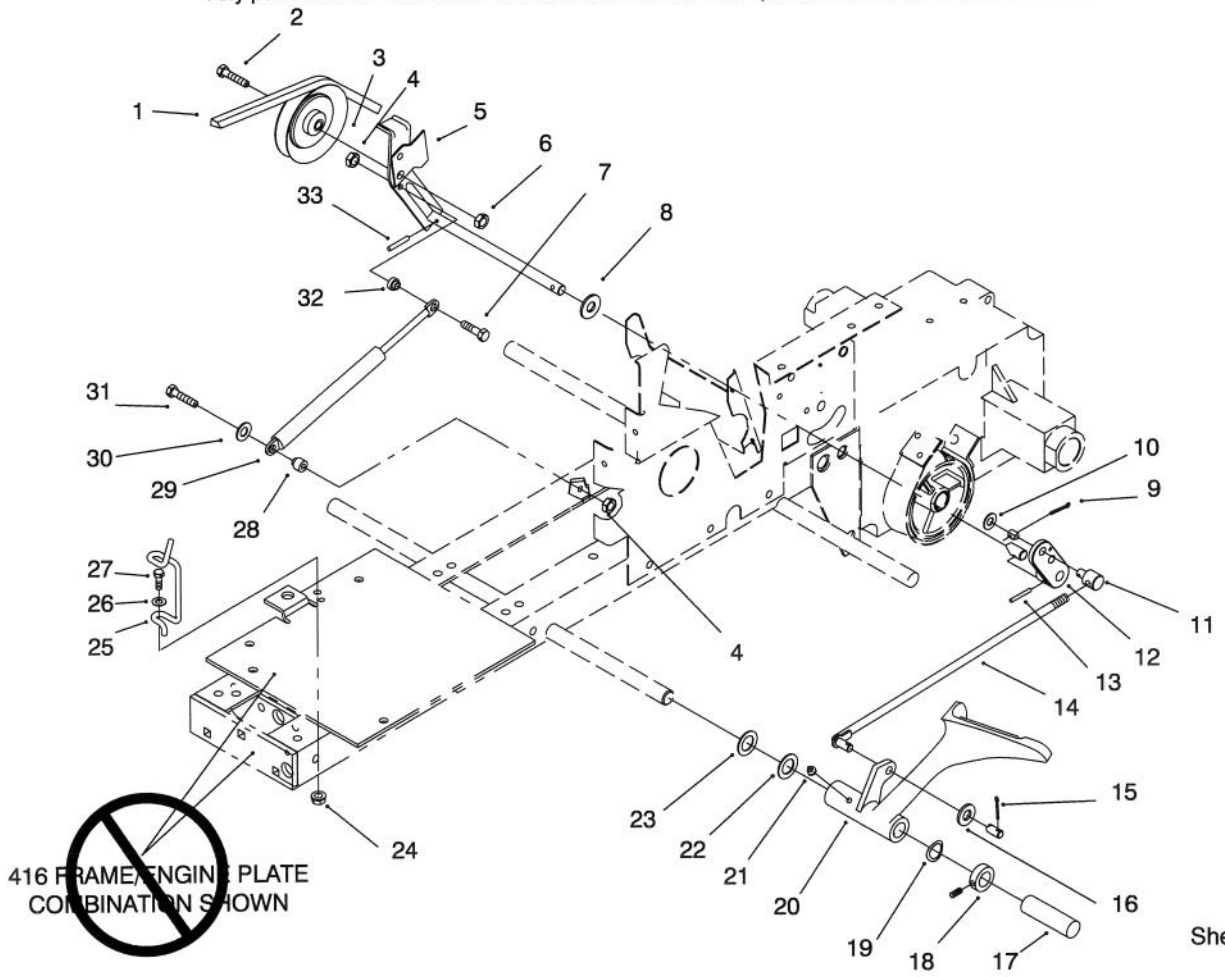


Sheet No.: 13

Manual Lift System

Ref. No.	Part No.	Qty.	Description
1	32151-91	1	Ring-Retaining
2	3256-62	2	Washer-Flat
3	106269	2	Bearing-Flange
4	3296-29	6	Nut-Lock
5	3256-23	3	Washer-Flat
6	106411-03	1	ASM-Lift Hgt Cont Bkt
7	9266944	1	Screw-HH
8	108565	1	Shaft-Lift Lever
9	1121	1	Key
10	105316	2	Cap-Rod
11	92-6710	1	Grip-Handle
12	3624	1	Spring-Compression
13	8130	1	Retainer-Spring
14	32121-103	1	Pin-Spring
15	32121-25	1	Pin-Roll
16	108563-03	1	ASM-Lift Lever
17	933148	1	Pin-Spirol
18	106257	1	Rod-Latch
19	9335074	2	Cotter-Hairpin
20	3256-5	1	Washer-Flat
21	9266964	2	Screw-HH
22	5280	1	Knob-Height Control
23	106258-03	1	Sleeve
24	322-5	3	Screw-HH
25	106345-03	1	Casting-Lift Lever

Ref. No.	Part No.	Qty.	Description
26	110653	1	Rod-Height Control
27	3272-10	1	Pin-Cotter
28	78-1550	1	Lever
29	6229	1	Bearing
30	32120-47	1	Ring-Retaining
31	113445-01	1	Bar-Lift
32	9335054	2	Hairpin
33	3256-25	1	Washer-Flat
34	322-6	1	Screw-HH
35	106522	1	Chain-Lift
36	6739	1	Trunnion
37	3296-39	1	Nut-Lock
38	8830	4	Retainer-"J"
39	322-2	2	Screw-HH

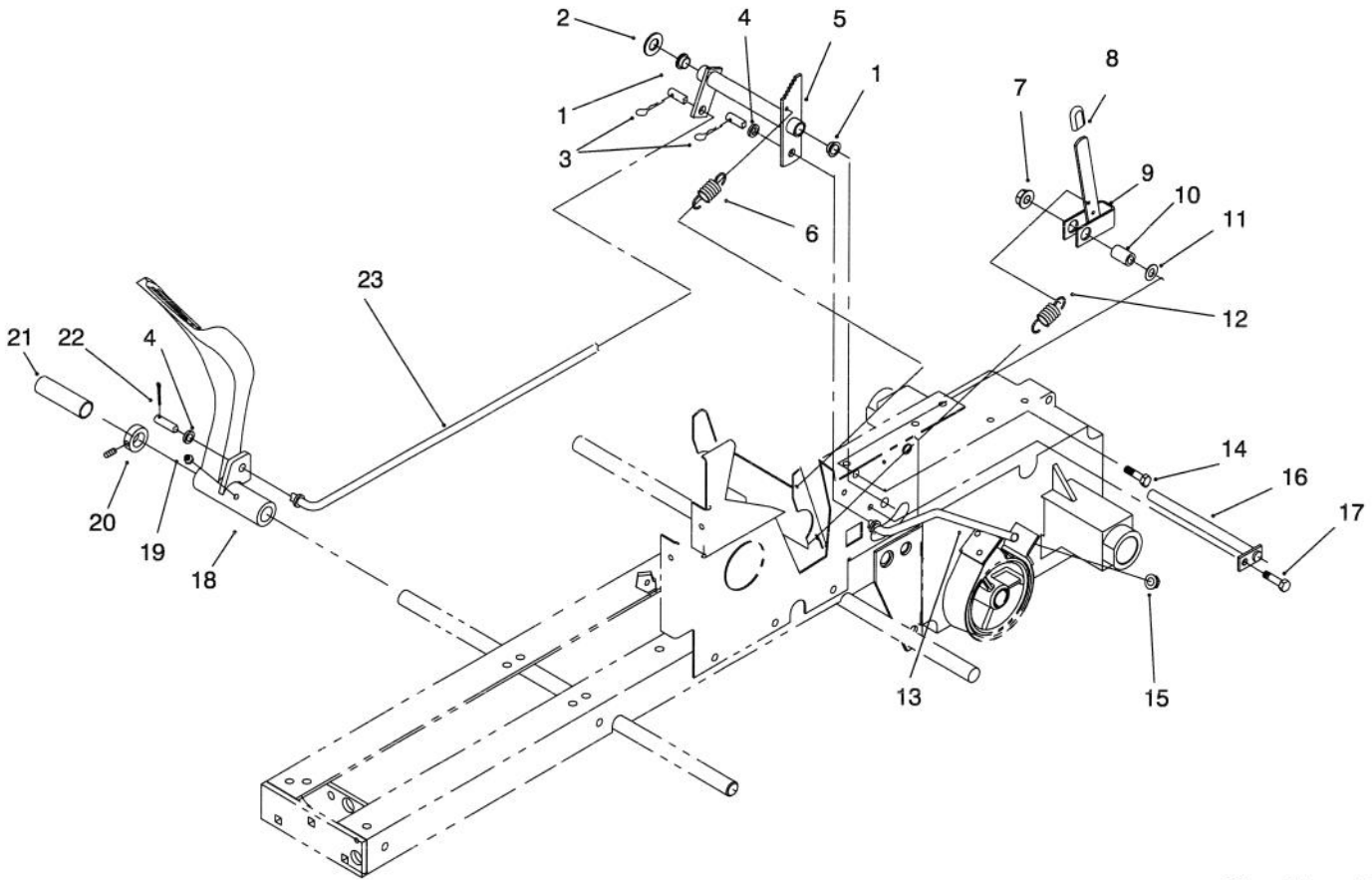


Sheet No.: 18

Clutch

Ref. No.	Part No.	Qty.	Description
1	93-9808	1	V-Belt
2	106193	1	Screw-Spec HH
3	7451	1	Pulley-V
4	3296-42	2	Nut-Lock
5	78-2970-01	1	ASM-Clutch Idler Arm
6	32146-2	1	Nut-Lock
7	321-31	1	Screw-HH
8	3765	1	Washer-Shim
9	3272-6	1	Pin-Cotter
10	3256-24	1	Washer-Flat
11	101161	1	Trunion
12	105896-01	1	Arm-Clutch Rod
13	933190	1	Pin
14	103347	1	Rod-Clutch
15	3272-10	1	Pin-Cotter
16	920248	1	Washer-Nylon
17	94-6683	1	Sleeve-Protective
18	111383	1	Collar w/Set Screw
19	7896	1	Washer-Bowed
20	94-3703-01	1	Pedal-Clutch
21	302-5	1	Fitting-Grease
22	1278	1	Washer-Shim
23	9202254	1	Washer-Flat
28	78-3250	1	Spacer-Shoulder
29	78-3240	1	Absorber-Gas Spring
30	3256-22	1	Washer-Flat

Ref. No.	Part No.	Qty.	Description
31	321-9	1	Screw-HH
32	78-3260	1	Spacer-Shoulder
33	933267	1	Pin

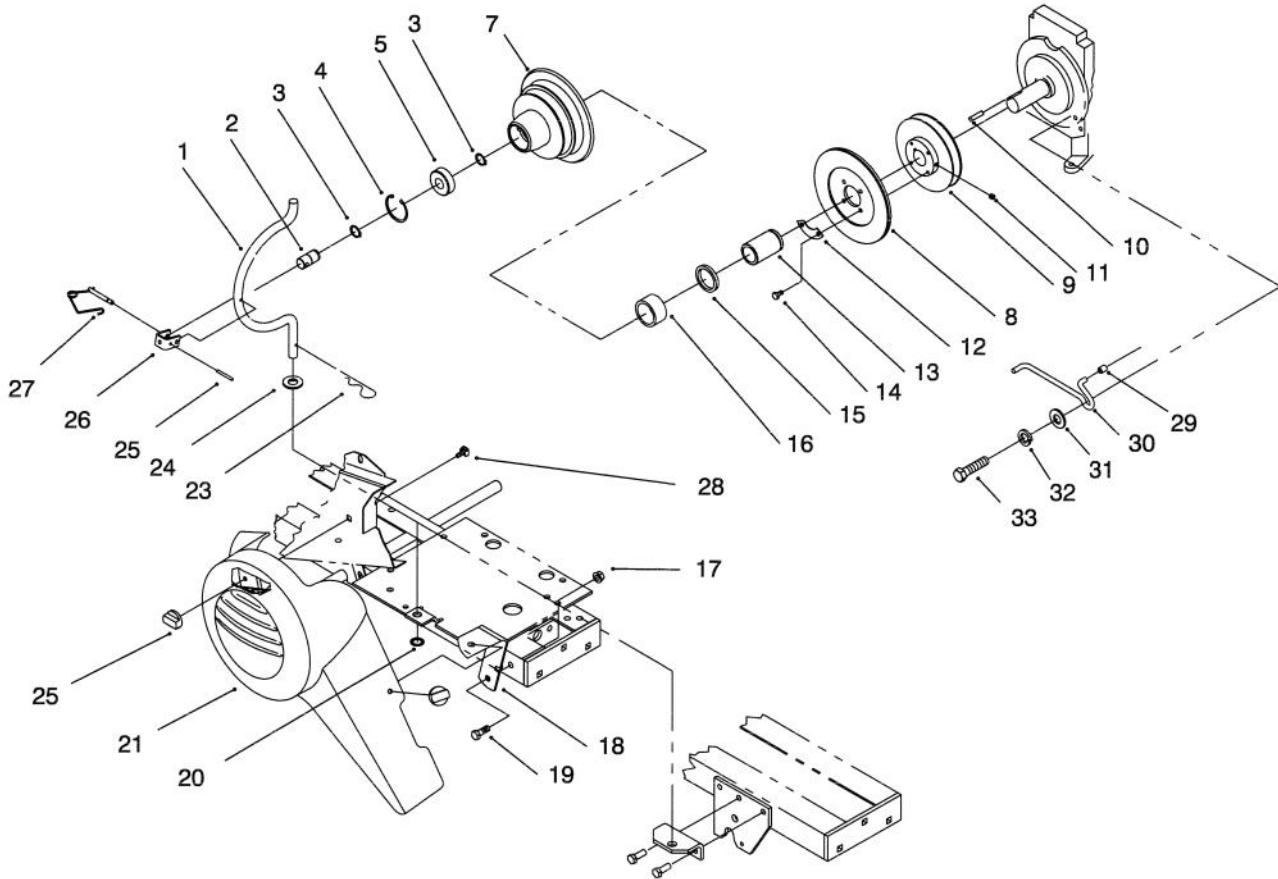


Sheet No.: 19

Brake

Ref. No.	Part No.	Qty.	Description
1	7879	2	Bushing
2	3256-26	1	Washer-Flat
3	9335054	2	Hairpin
4	920248	2	Washer-Nylon
5	103543-03	1	Bellcrank-Brake
6	103628	1	Spring-Extension
7	32128-19	1	Nut-Lock
8	6820	1	Grip
9	106451-03	1	Lever-Parking Brake
10	102025	1	Spacer
11	3256-24	1	Washer-Flat
12	107677	1	Spring-Extension
13	105900	1	Rod-Brake
14	323-9	1	Screw-HH
15	3296-39	1	Nut-Lock
16	106417	1	Rod-Pivot
17	9266944	1	Screw-HH
18	94-3706-01	1	Pedal-Brake
19	302-5	1	Fitting-Grease
20	111383	1	Collar w/Set Screw
21	94-6683	1	Sleeve-Protective
22	3272-10	1	Pin-Cotter
23	92-6849	1	Rod-Brake

Ref. No.	Part No.	Qty.	Description



400 & 500 SERIES

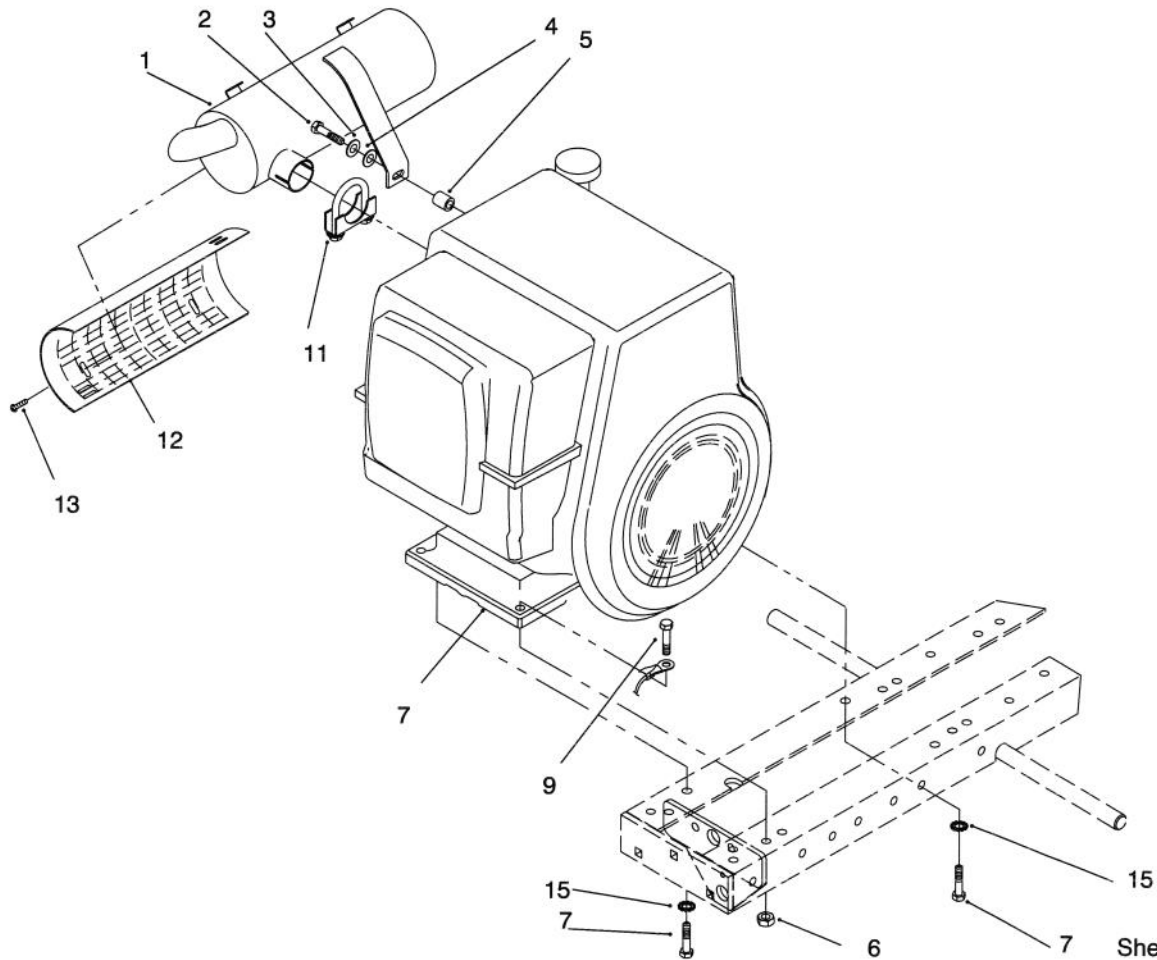
300 SERIES

Sheet No.: 22

PTO Clutch, Cover And Belt Guides

Ref. No.	Part No.	Qty.	Description
1	113108	1	Rod-PTO Housing
2	102872	1	Shaft-PTO
3	32120-72	2	Ring-Retaining
4	32120-62	1	Ring-Retain
5	109842	1	Bearing-Ball
7	103478-01	1	Housing-Clutch
8	94-6650	1	ASM-Plate
9	7466	1	Pulley-Engine
10	105453	1	Key-Sq
11	3246-2	2	Screw-HSH Set
12	6659	2	Retainer
13	6658	1	Race-Bearing
14	9080026	4	Screw-Lock
15	6663	1	Seal-Oil
16	6662	1	Bearing-Needle
17	32128-40	1	Nut-Lock
18	94-3726-01	1	Bracket
19	323-6	1	Screw-HH
20	106695	1	Ring-Push On
21	94-3704	1	Belt Cover-PTO
22	94-3735	2	Nut-Wing
23	9335064	1	Hairpin
24	3256-27	1	Washer-Flat
25	933274	1	Pin-Spirol
26	113107	1	Clevis
27	111314	1	Lock Pin ASM

Ref. No.	Part No.	Qty.	Description
28	94-3729	1	Retainer-Bolt
29	112841	1	Cap
30	111242	1	Wire-Guide
31	3256-25	1	Washer-Flat
32	3253-6	1	Washer-Lock
33	324-5	1	Screw-HH

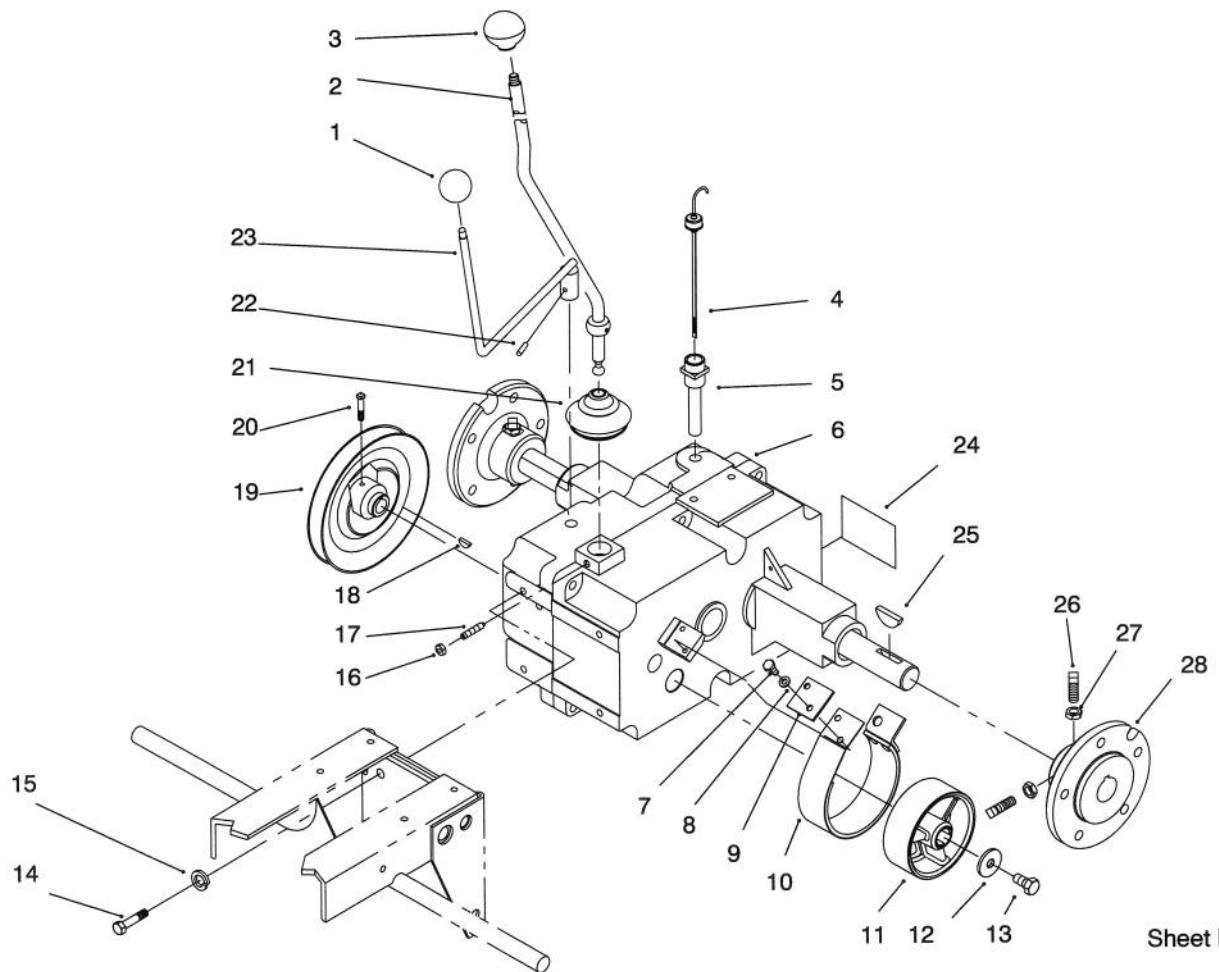


Sheet No.: 25

Engine Assembly

Ref. No.	Part No.	Qty.	Description
1	94-3739	1	Muffler
2	322-7	1	Screw-HH
3	3253-4	1	Washer-Lock
4	3256-23	1	Washer-Flat
5	6876	1	Spacer
6	3296-39	2	Nut-Lock
7	323-6	2	Screw-HH
9	323-8	2	Screw-HH
10	117255	1	Engine-12 Hp Kohler
11	106858	1	Clamp-Muffler
12	94-3738	1	Shield-Heat
13	9103312	4	Screw
14	109910	1	Wire-Ground
15	3255-9	2	Washer-Lock

Ref. No.	Part No.	Qty.	Description



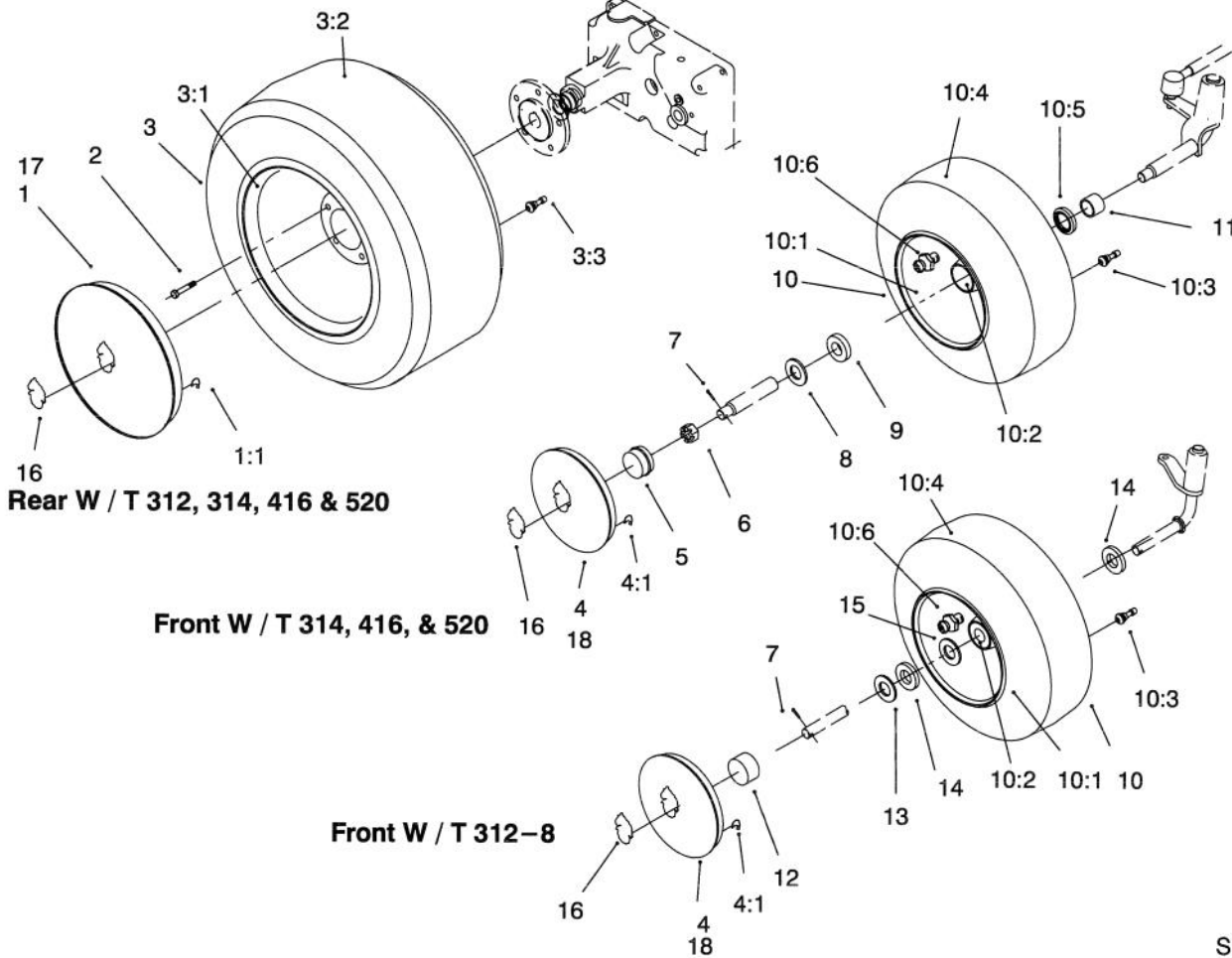
Sheet No.: 27

Transmission Assembly

Ref. No.	Part No.	Qty.	Description
1	83-2710	1	Knob
2	95-5142	1	ASM-Rod
3	108758	1	Knob
4	101847-03	1	Dipstick
5	102703	1	Trans Nipple
6	94-6670	1	ASM-8 Spd
7	321-3	2	Screw-HH
8	3253-3	2	Washer-Lock
9	9598	1	Plate-Stop
10	9593	1	Band-Brake
11	106719	1	Drum-Brake
12	2844	1	Washer-Flat
13	110234	1	Screw
14	323-5	4	Screw-HH
15	3253-21	4	Washer-Lock
16	3217-5	1	Nut-Hex
17	1239	1	Set Screw
18	937221	1	Key-Woodruff
19	106165	1	Pulley-Transmission
20	3242-2	1	Screw Set-SH
21	3577	1	Dust Cover
22	933184	1	Pin-Spirol
23	110727	1	Rod-Shift
24	94-1834	1	Decal-Unidrive
25	937108	2	Key-Woodruff
26	3243-5	4	Screw-Set

Ref. No.	Part No.	Qty.	Description
27	3218-3	4	Nut-HJ
28	105763-03	2	Hub-Wheel

Any part identified in this illustration but not included in the parts list is not used on this model.



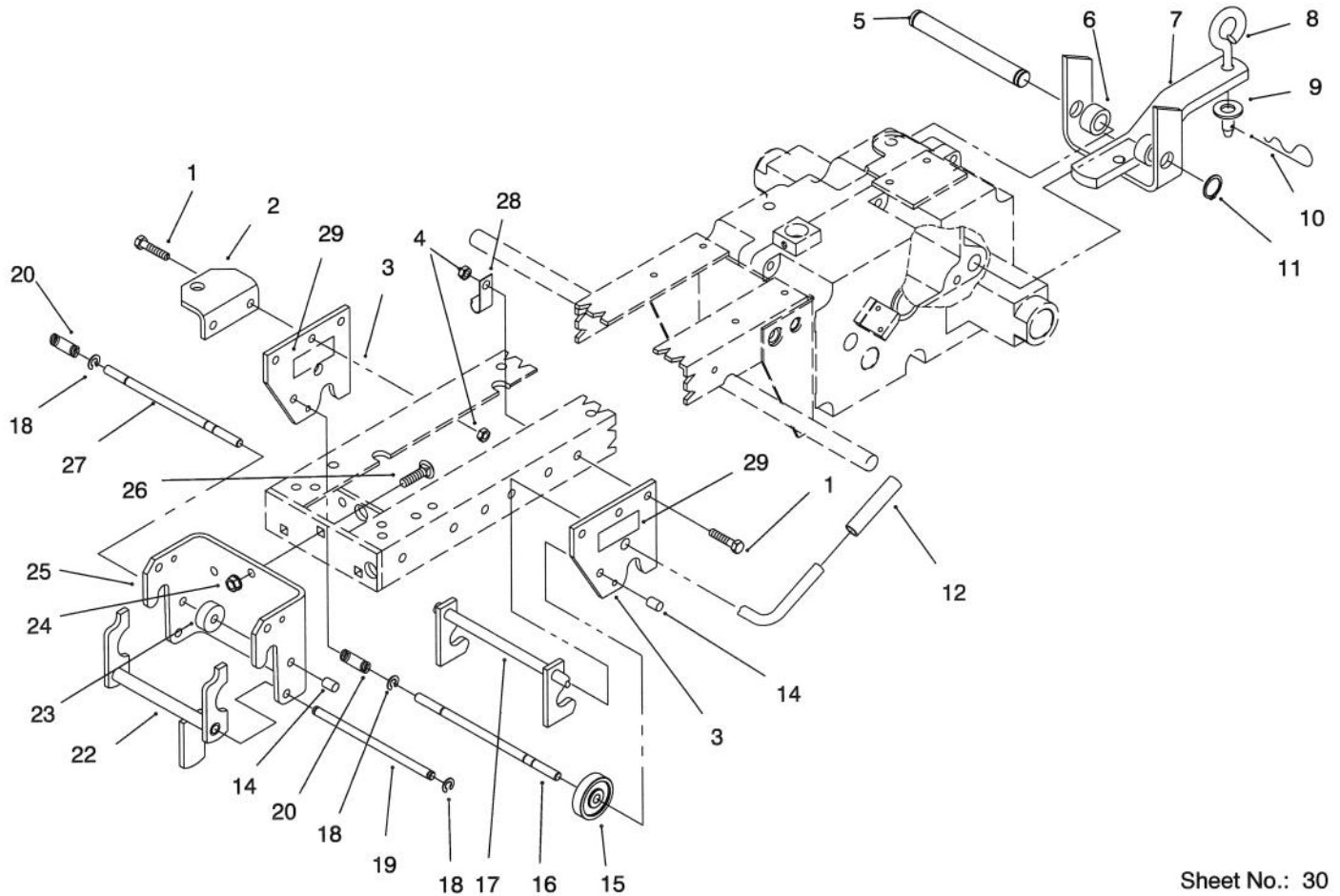
Sheet No.: 29

Wheel Assemblies

Ref. No.	Part No.	Qty.	Description
2	83-2720	10	Bolt-Lug
3		2	ASM-Wheel & Tire
3:1	111516	2	Wheel
3:2	116742	2	Tire-23x8.50-12
3:3	5108	2	Valve-Tire Tubeless
7	3272-17	2	Pin-Cotter
10	117289	2	ASM-Wheel & Tire
10:1	117285	2	ASM-Wheel
10:2	110513	2	Bearing-Ball
10:3	5108	2	Valve-Tubless Tire
10:4	116884	2	Tire-15x6-6
10:6	109500	2	Fitting-Grease
*	100079	2	Inner Tube-Front
*	7007	2	Inner Tube-Rear
12	109154	2	Cap-Hub
13	109114	2	Washer-Flat
14	1278	4	Washer-Shim
15	5210	2	Washer-Shim

Ref. No.	Part No.	Qty.	Description

* Not Illustrated

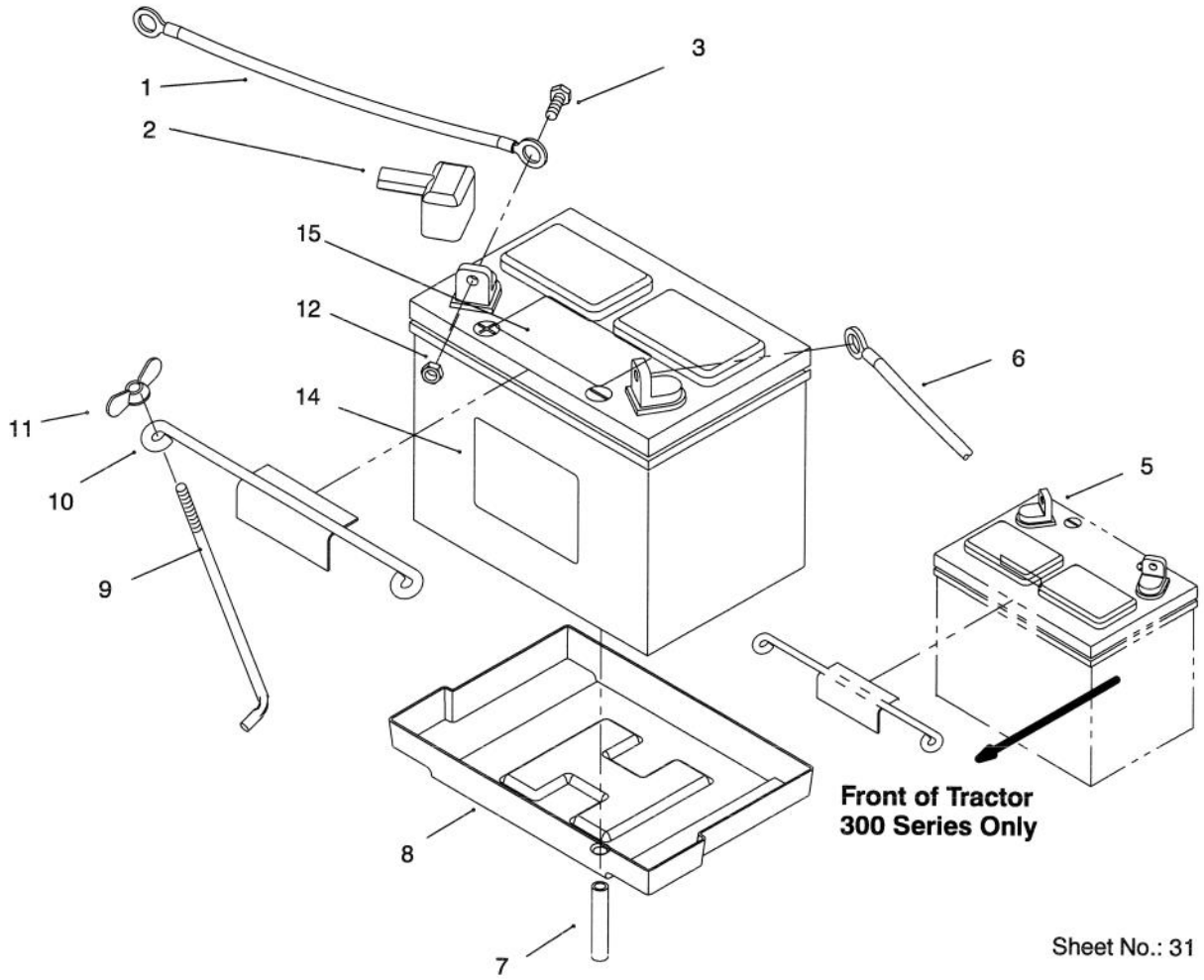


Sheet No.: 30

Hitch Assembly

Ref. No.	Part No.	Qty.	Description
1	323-44	6	Screw-HH
2	102870-01	1	Bracket-PTO Support
3	102644-01	2	Plate-Hitch
4	108881	6	Nut-Hex
5	105269	1	Pin-Drawbar Hitch
6	9791204	2	Spacer
7	1644-01	1	Hitch ASM
8	106634	1	Pin-Tool
9	3256-26	1	Washer-Flat
10	9335054	1	Hairpin
11	5618	2	Ring-Retaining
12	9038	1	Grip
14	105316	2	Cap-Rod
15	101017	1	Lock-Hitch
16	83-6520	1	Rod-Lock
17	117930	1	Latch ASM-Mid
18	105797	8	Ring-Retaining
19	101750	1	Rod-Latch Pivot
20	8616	2	Spring
22	93-1613	1	Latch-Front
23	101707	1	Lock-Attachment
24	3296-39	3	Nut-Lock
25	101711-01	1	Plate-Front Hitch
26	3231-25	3	Screw-CARR
27	101751	1	Rod-Lock

Ref. No.	Part No.	Qty.	Description
28	8830	1	Retainer-"J"
29	92-8747	2	Decal-Attach A Matic

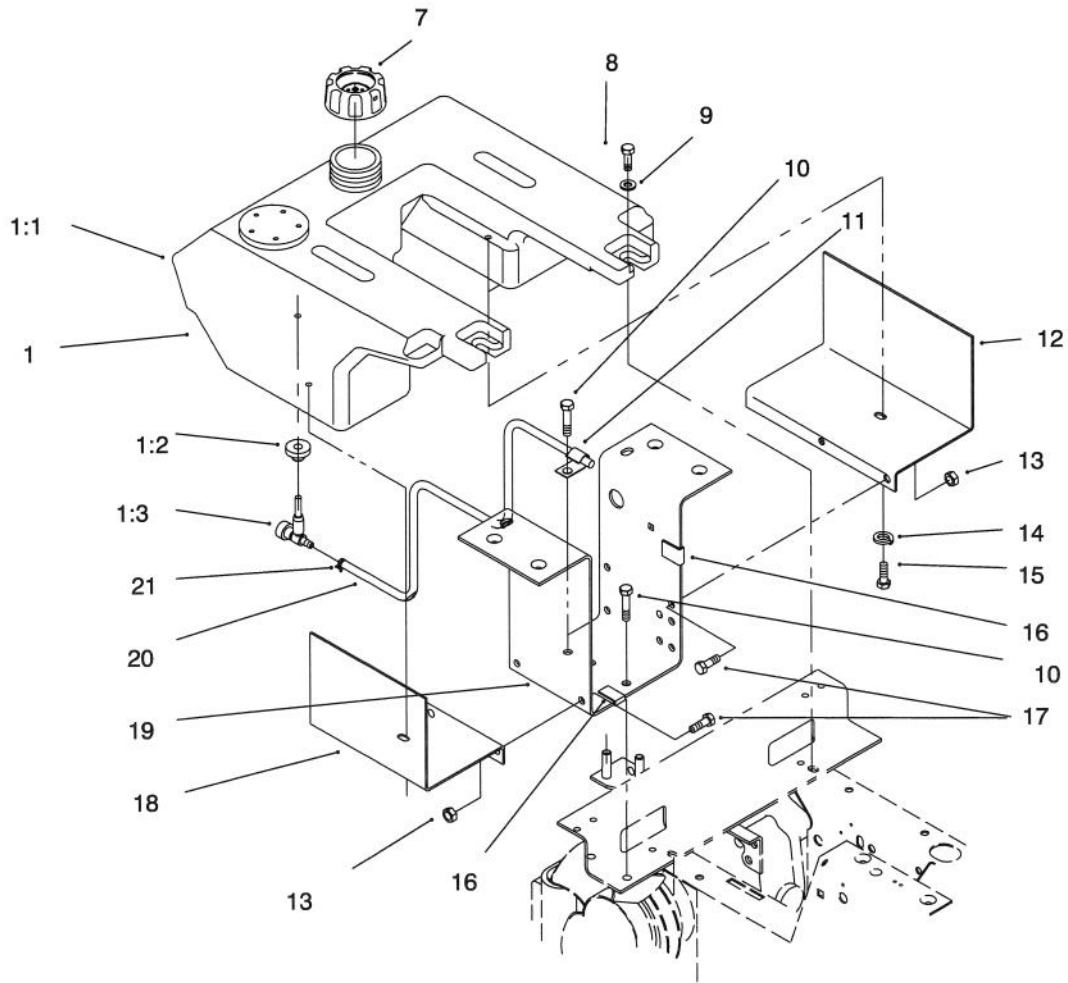


Sheet No.: 31

Battery Assembly

Ref. No.	Part No.	Qty.	Description
1	111074	1	Cable-16" Lg.
2	28-8080	1	Boot-Battery Terminal
3	321-4	2	Screw-HH
5	104962	1	Battery
6	111069	1	Cable-8" Lg.
7	114720	1	Tube-Battery Drain
8	106948	1	Tray-Battery
9	113969	2	Hook-Retainer
10	113010	1	Hold Down
11	32103-22	2	Nut-Wing
12	3296-42	2	Nut-Lock

Ref. No.	Part No.	Qty.	Description

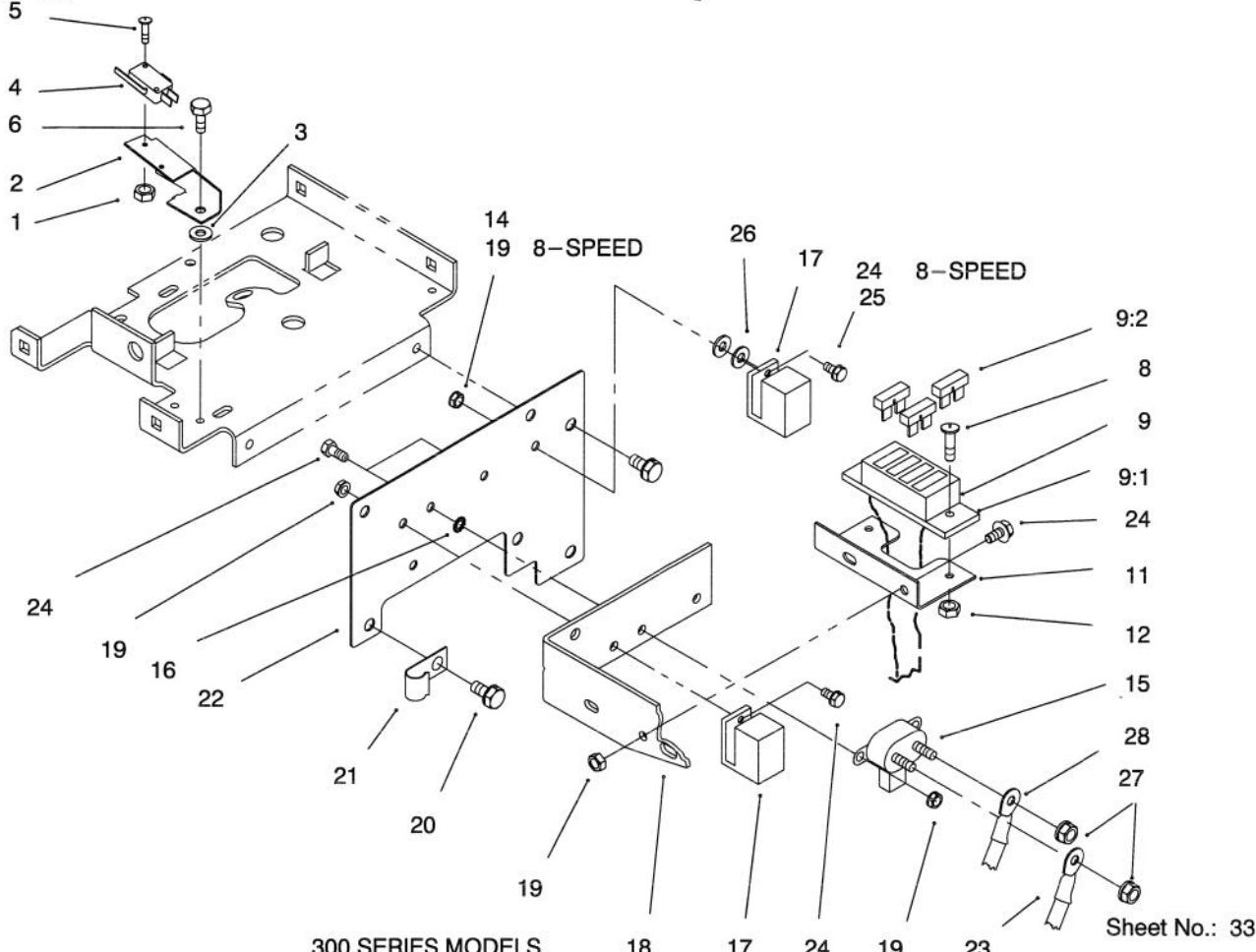


Sheet No.: 32

Fuel Tank Assembly

Ref. No.	Part No.	Qty.	Description	Ref. No.	Part No.	Qty.	Description
1:1	106235	1	Tank-Fuel				
1:2	104048	1	Assembly-Valve				
1:3	104047	1	Bushing				
7	55-3570	1	Cap-Fuel				
8	9266974	2	Screw-HH				
9	3256-4	2	Washer-Flat				
10	3235-22	2	Screw-HH				
11	8830	1	Retainer-"J"				
12	108464-01	1	Bracket-Support				
13	3296-29	4	Nut-Lock				
14	3253-4	2	Washer-Lock				
15	322-2	2	Screw-HH				
16	519337	1	Clip				
17	322-3	4	Screw-HH				
18	106236-01	1	Support-Fuel Tank RH				
19	79-4990-01	1	Bracket-Fender Support				
20	92-9511	1	Line-Fuel 62"				
21	2412-98	2	Clamp-Hose				

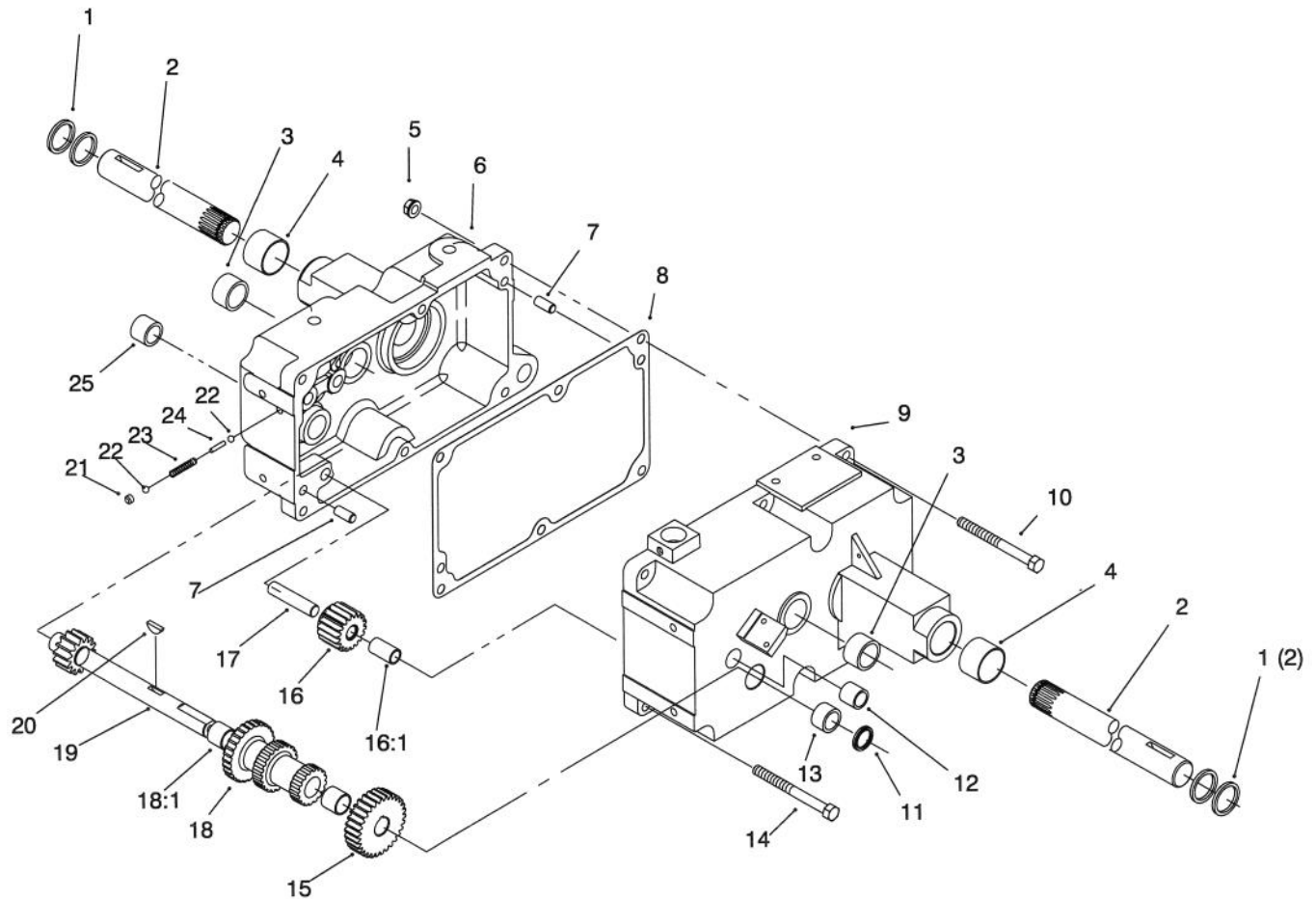
3319-158



Hoodstand Electrical Housing & Wire Harness

Ref. No.	Part No.	Qty.	Description
1	9157324	2	Nut-Lock
2	115411	1	Bracket-Switch
3	3254-2	1	Washer-Lock
4	111332	2	Switch-Interlock
5	9104784	2	Screw
6	9266714	1	Screw-HWHTF
8	9107944	2	Screw-Phcr
9	79-3580	1	Wiring-Harness
9:1	120930	1	Fuse Holder
9:2	109101	1	Fuse-20 Amp
9:2	109102	1	Fuse-25 Amp
9:2	109355	1	Fuse-15 Amp
11	117331-03	1	Bracket-Fuse Holder
12	9157404	2	Nut
15	92-9845	1	Solenoid
16	3255-7	2	Washer-Lock
17	116397	2	Relay
18	109554-03	1	Bracket-Guard
19	3296-42	6	Nut-Lock
20	9266944	5	Screw-HH
21	8830	1	Retainer-"J"
22	78-3020-03	1	Plate-Front
23	111069	1	Cable-8" Lg.
24	3234-33	6	Screw-HFW
27	32149-2	2	Nut-Hex Lock
28	111074	1	Cable-16" Lg.

Ref. No.	Part No.	Qty.	Description

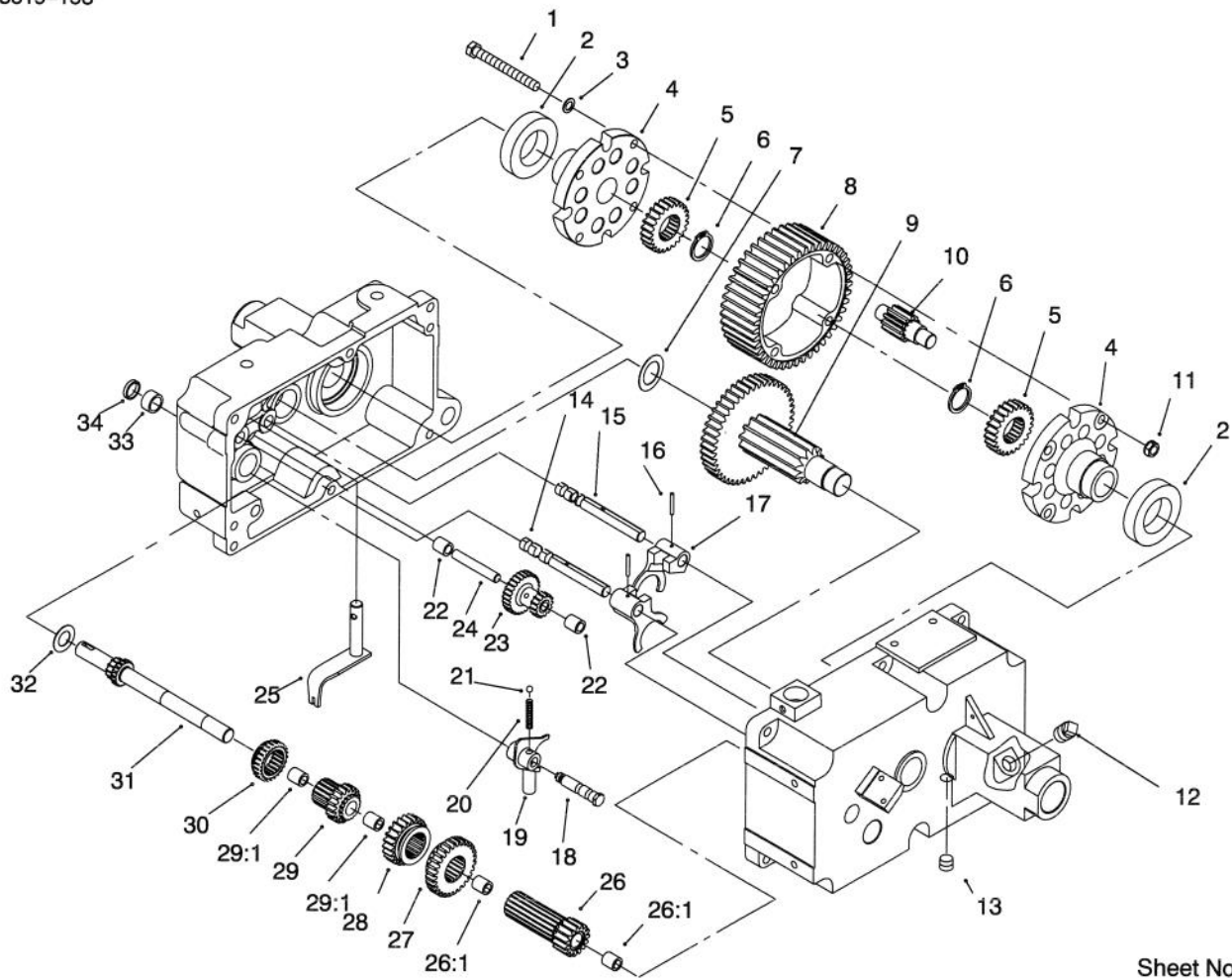


Sheet No.: 101

Transmission 8-Speed 4 Pinion

Ref. No.	Part No.	Qty.	Description
1	100443	4	Seal-Oil
2	105875	2	Axle-Rear
3	1532	2	Bearing-Needle
4	9416	1	Bearing-Needle
5	3296-39	6	Nut-Lock
6	111200-01	1	Case-Trans
7	3915	2	Pin-Dowel
8	3912	1	Gasket-Transmission
9	95-5143-01	1	Case-Trans
10	323-16	1	Screw-HH
11	100441	1	Seal-Oil
12	83-2890	1	Bearing-Needle
13	1523	1	Bearing-Needle
14	323-11	5	Screw
15	3527	1	Gear-Cluster Shaft
16	4204	1	ASM-Gear
17	3909	1	Pin
18	7269	1	Gear Cluster ASM
18:1	1504	2	Bushing
19	83-3530	1	Shaft-Cluster
20	937089	1	Key-Woodruff
21	1243	1	Plug-Cup
22	3517	2	Ball-Detent
23	106030	1	Spring-Stop
24	5614	1	Pin-Shift
25	1529	1	Bearing-Needle

Ref. No.	Part No.	Qty.	Description

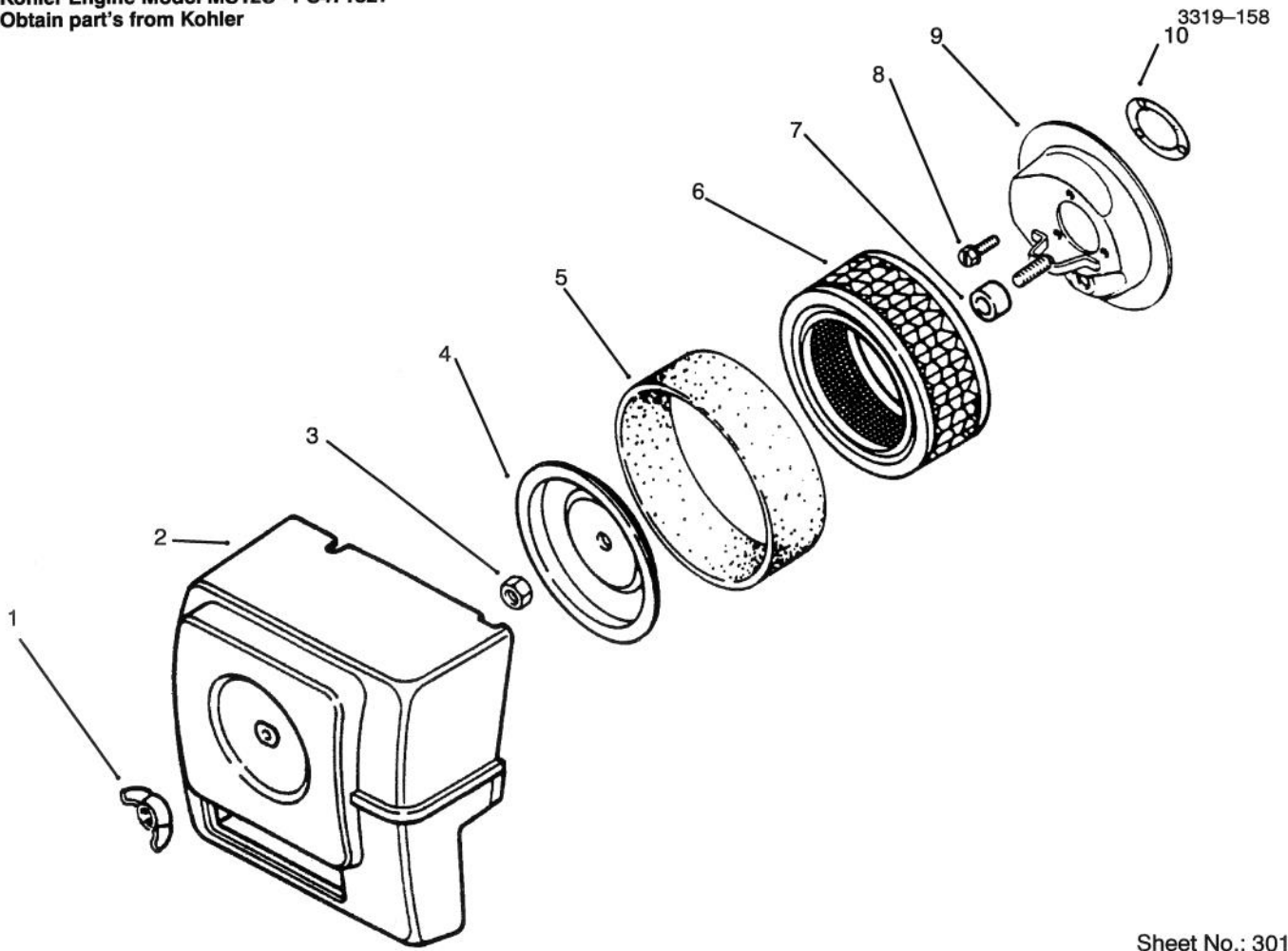


Sheet No.: 102

Transmission 8-Speed 4 Pinion (Continued)

Ref. No.	Part No.	Qty.	Description
1	911423	4	Screw-HH
2	111199	2	Bearing-Ball
3	107374	4	Washer-Flat
4	111196	2	Cap-End
5	101889	2	Gear-Axle
6	105876	2	Ring-Retaining
7	9547	1	Washer-Thrust
8	105061	1	Gear-Differential
9	102974	1	ASM-Gear
10	101623	4	Gear-Pinion
11	108881	1	Nut-Hex
12	281-2	1	Plug-Pipe
13	281-10	1	Plug-Pipe
14	5615	1	Rail-Shift
15	5616	1	Rail-Shift
16	933156	2	Pin-Hd Spirol
17	3503	2	Fork-Shift
18	7213	1	Screw-Detent
19	116636	1	ASM-Fork
20	106030	1	Spring-Stop
21	3517	1	Ball-Detent
22	7207	1	Bearing-Needle
23	7206	1	Gear
24	7208	1	Shaft-Gear
26	111099	1	Gear
26	5175	1	ASM-Gear

Ref. No.	Part No.	Qty.	Description
26:1	1518	2	Bearing-Needle
27	5174	1	Gear-Low And Reverse
29	111096	1	Gear
29	7204	1	ASM-Gear
29:1	1518	2	Bearing-Needle
30	7205	1	Gear-Sliding
31	7201	1	Shaft-Input
32	7418	1	Washer-Thrust
33	1542	1	Bearing-Needle
34	100442	1	Seal-Oil

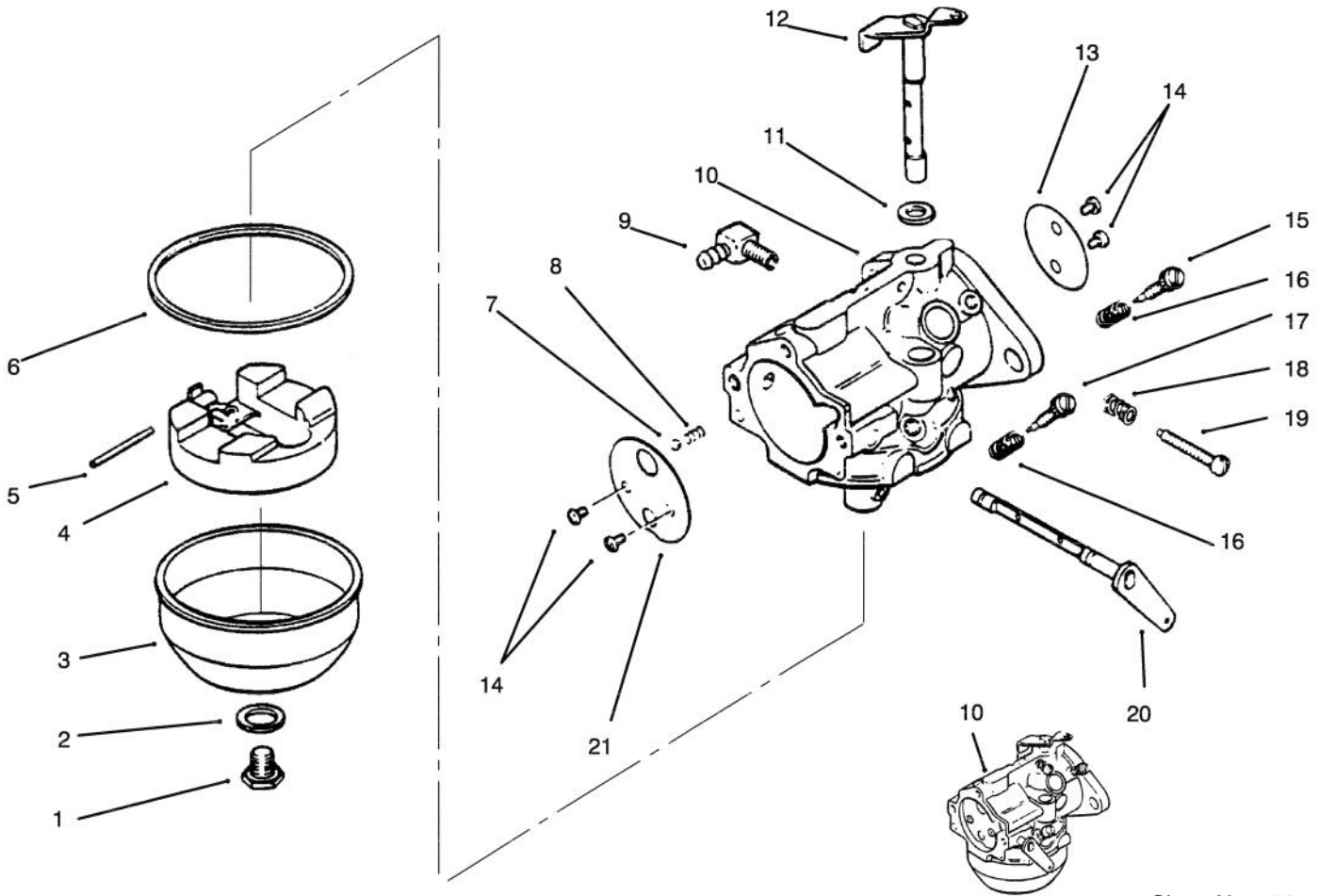


Sheet No.: 301

Air Cleaner

Ref. No.	Part No.	Qty.	Description
1	X-276-7	1	Nut-Wing
2	47-096-10	1	Cover
3	41-100-04	1	Nut
4	52-082-04	1	Cover-Air Clean Element
5	45-083-01	1	Element-Precleaner
6	45-083-02	1	Element
7	231032	1	Seal
8	X-67-65	3	Screw
9	47-094-20	1	Base-Air Cleaner
10	45-041-07	1	Gasket
	41-113-02	1	Decal-Air Cleaner

Ref. No.	Part No.	Qty.	Description

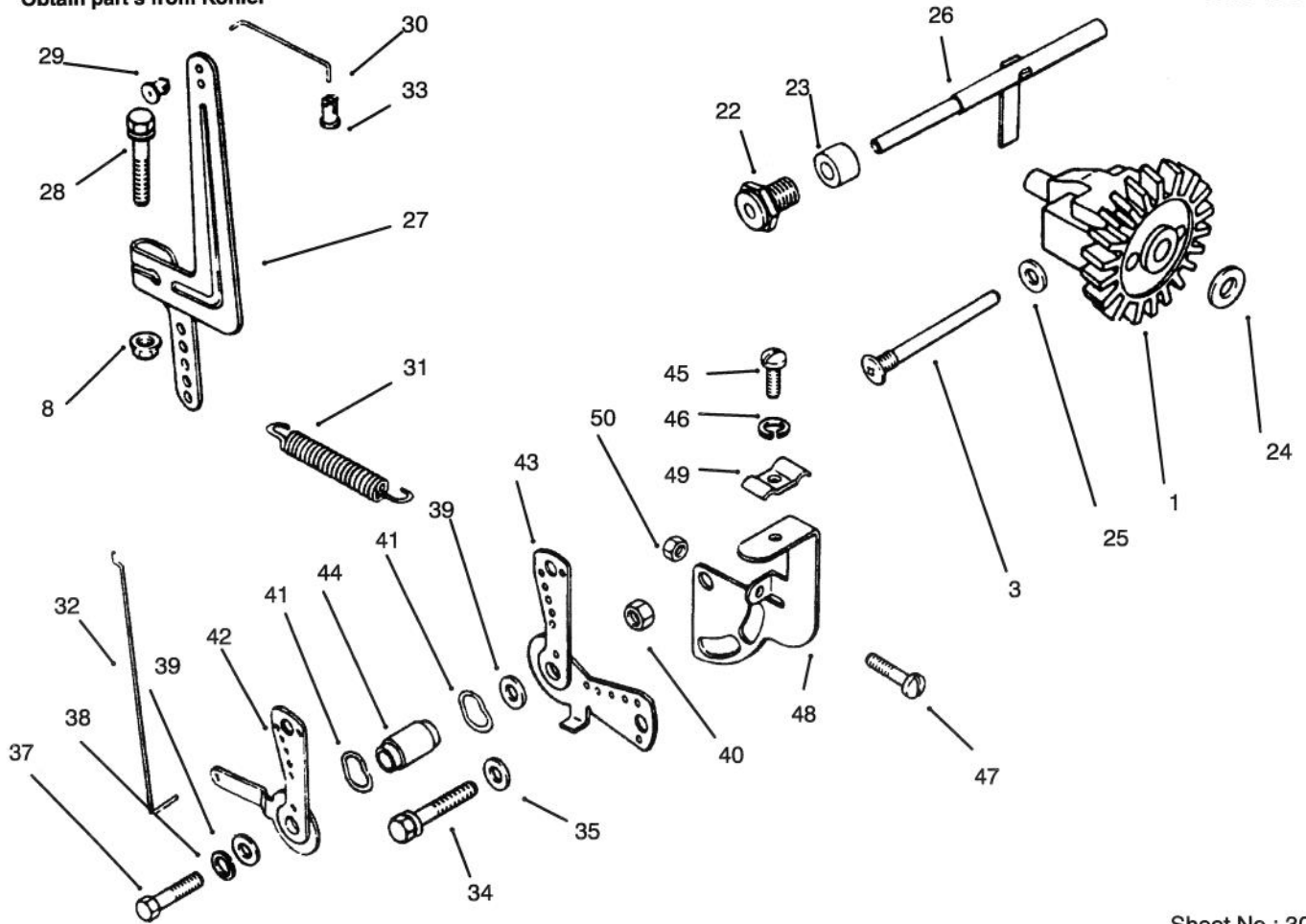


Sheet No.: 302

Carburetor

Ref. No.	Part No.	Qty.	Description
1	25-100-05	1	Screw
2	25-041-03	1	Gasket
3	25-104-01	1	Bowl-Fuel Incl Pin
4	25-757-09	1	Kit-Float Incl 5
6	254-041-04	1	Gasket
7	25-194-01	1	Ball
8	25-089-03	1	Spring
10	47-853-20	1	Carburetor ASM Incl 5-8
10	47-853-29	1	Carburetor Complete
12	457-144-21	1	Shaft Lever & Seal Incl 11
13	25-146-02	1	Plate-Throttle
14	25-086-27	4	Screw
15	25-368-01	1	Needle-Idle Fuel Adj
16	25-089-02	1	Spring-Idle Fuel
17	25-368-03	1	Main-Needle
18	25-089-04	1	Spring-Adj.
19	25-086-26	1	Screw-Idle Speed Adj
20	47-090-38	1	Shaft-Choke
21	47-146-08	1	Plate-Choke

Ref. No.	Part No.	Qty.	Description

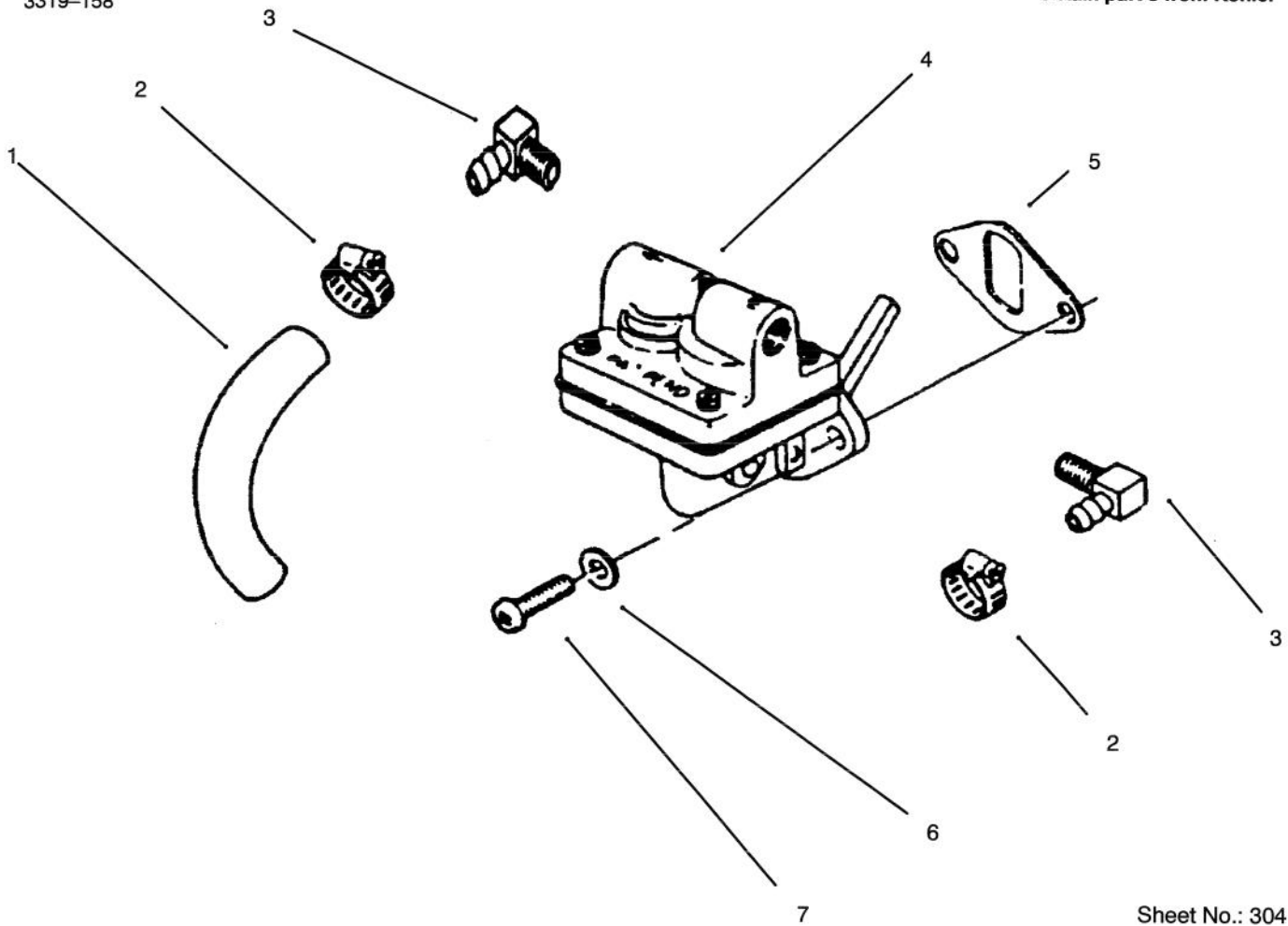


Sheet No.: 303

Governor Linkage

Ref. No.	Part No.	Qty.	Description
1	A-235743-5	1	Kit-Governor Gear INCL 24
3	231355	1	Pin-Governor Stop
8	X-799-1	1	Nut-Pal
22	235476	1	Bushing
23	X-400-80	1	Spacer
24	237022	1	Washer
25	25-468-01	1	Washer
26	A-235256-5	1	Kit-Governor Cross Shaft
26	A-235256-S	1	Kit-Governor Cross Shaft
27	47-090-20	1	Lever-Governor
28	X-776-1	1	Screw
29	47-158-07	1	Bushing
30	47-079-10	1	Linkage
31	47-091-01	1	Spring
32	47-079-01	1	Linkage-Choke
33	25-158-09	1	Bushing
33	25-158-11	1	Bushing
34	X-132-6	1	Screw
35	X-25-72	1	Washer
37	X-5-26	1	Screw
38	X-20-1	1	Washer-Lock
39	X-25-63	1	Washer-Flat
40	X-76-2	1	Nut

Ref. No.	Part No.	Qty.	Description
41	275690	2	Washer
42	47-090-07	1	Lever-Choke Control
43	47-090-08	1	Lever-Throttle Control
44	47-112-02	1	Spacer
45	X-67-51	1	Screw
46	25-468-04	1	Washer
47	232556	1	Screw
48	47-126-09	1	Bracket-Clutch Control
49	47-237-02	1	Clamp
50	X-72-4	1	Nut
	47-087-03	1	Choke Lever ASM INCL 37-44

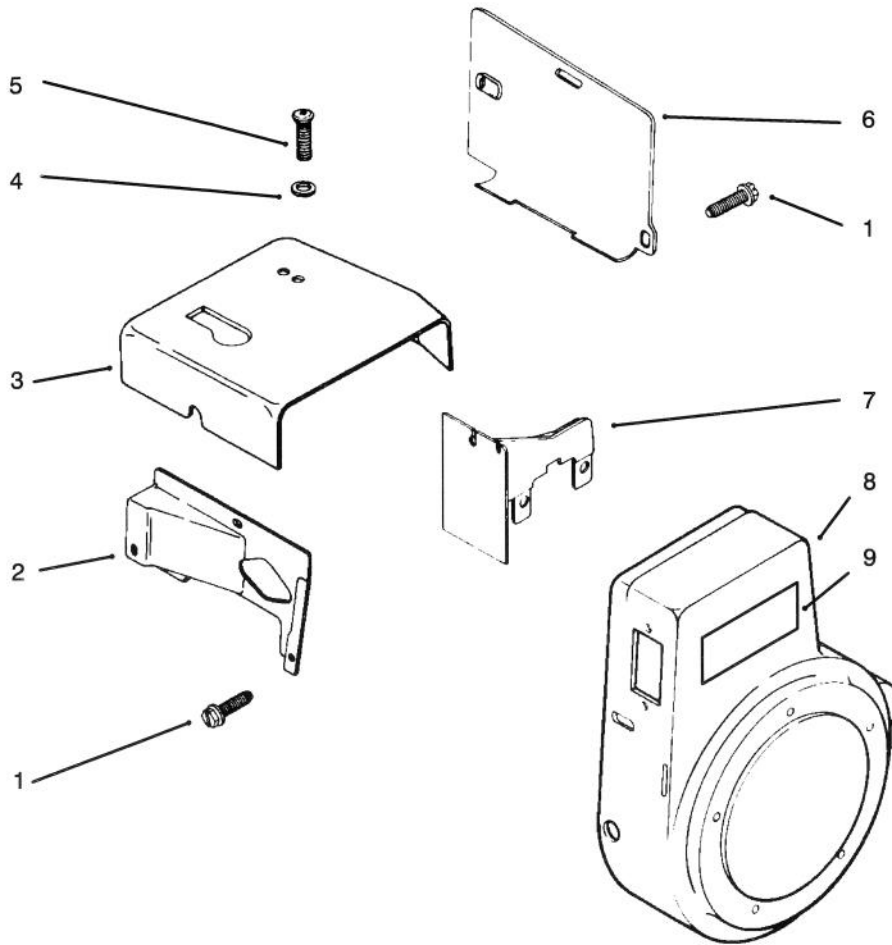


Sheet No.: 304

Fuel Pump

Ref. No.	Part No.	Qty.	Description
1	25-353-01	1	Line-Fuel
2	X-426-9	2	Clamp-Hose
3	25-155-02	2	Connector-90 DEG
4	47-559-08	1	Pump ASM-Fuel INCL 5 & 7
5	25-041-05	1	Gasket
6	X-25-63	2	Washer-Flat
7	X-174-2	2	Screw-Pozidrive

Ref. No.	Part No.	Qty.	Description

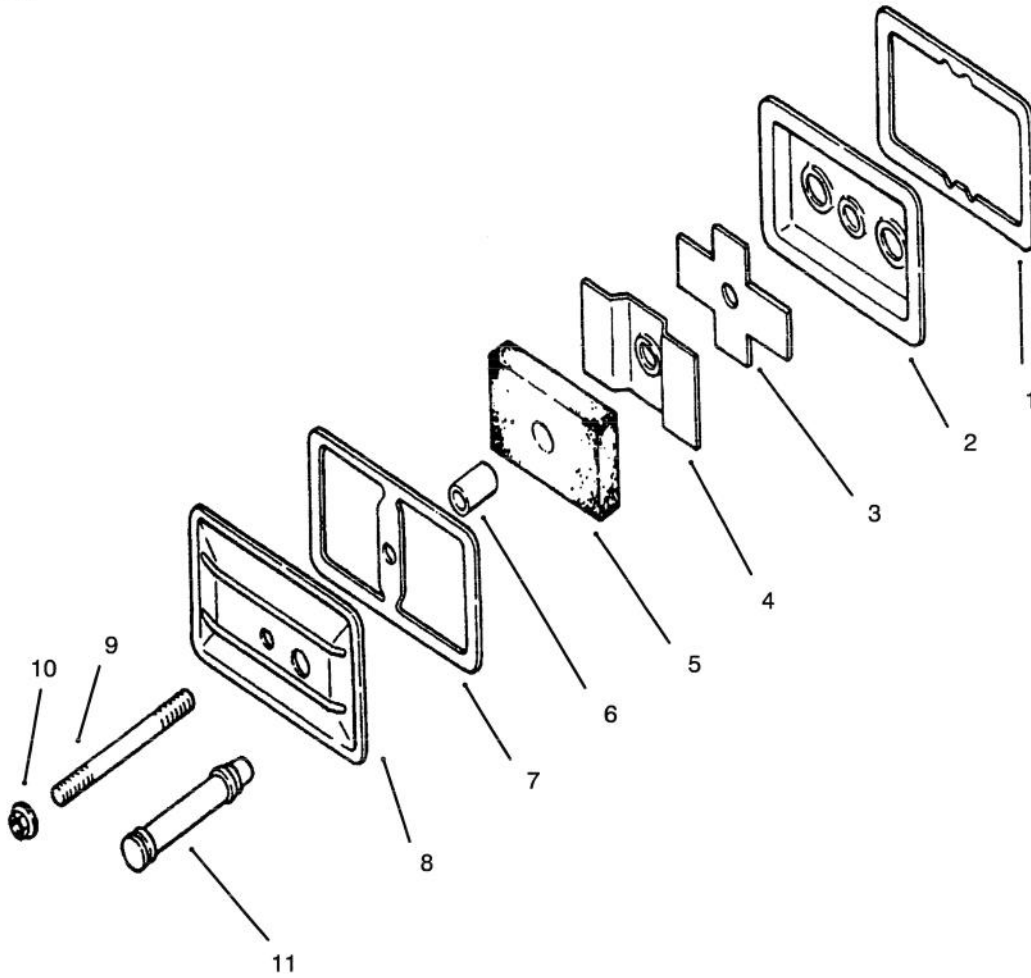


Sheet No. : 305

Baffles And Shrouds

Ref. No.	Part No.	Qty.	Description
1	52-086-11	6	Screw-Hex Hd
2	47-086-06	1	Baffle-Side Air
3	45-063-08	1	Baffle-Head
4	X-25-53	1	Washer
5	47-086-08	3	Screw-Pozidrive TH
6	47-063-10	1	Baffle-Cylinder
7	47-063-07	1	Baffle-Inner
8	47-027-42	1	Housing-Blower

Ref. No.	Part No.	Qty.	Description

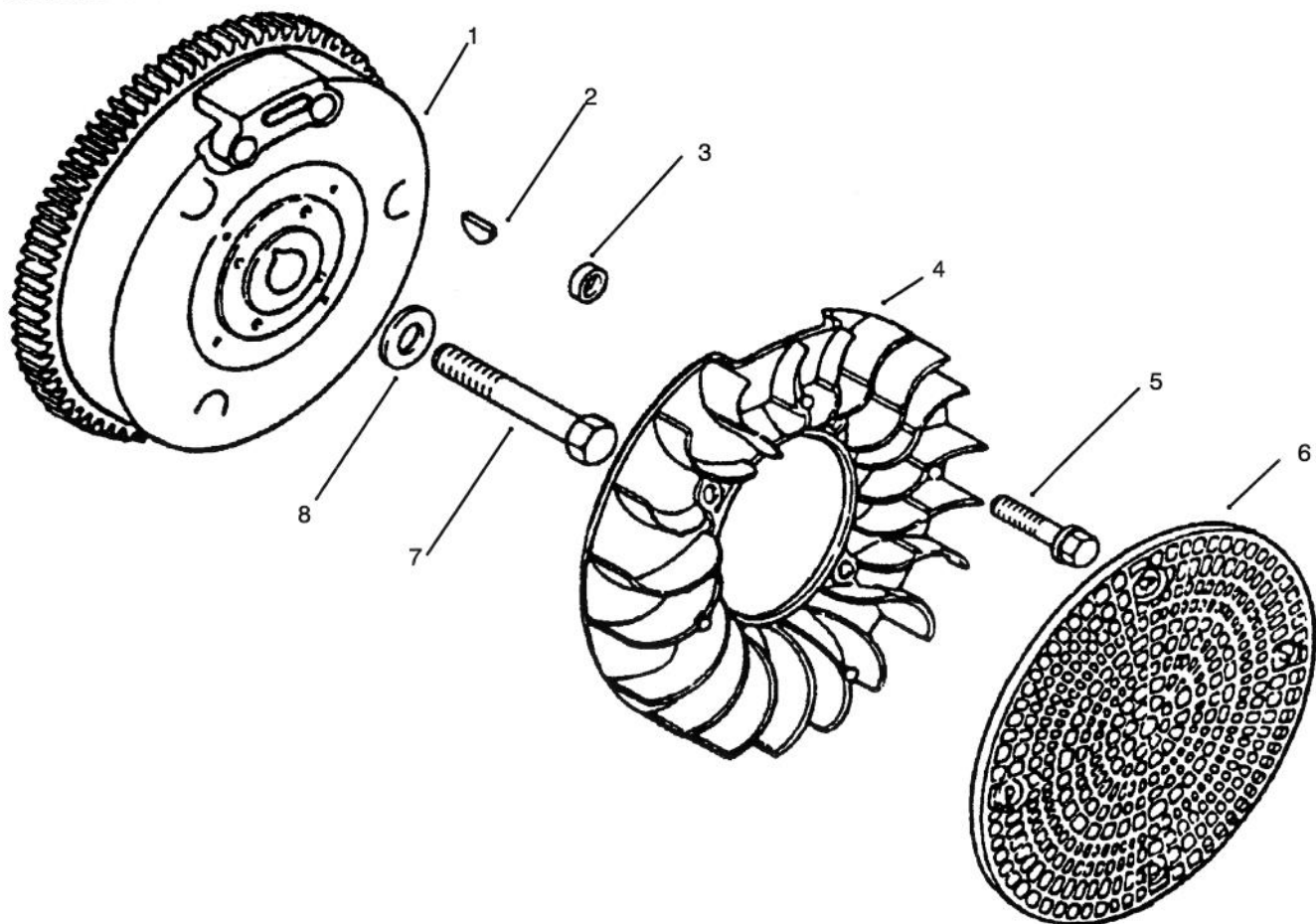


Sheet No.: 306

Breather And Vent

Ref. No.	Part No.	Qty.	Description
1	236765	1	Gasket
2	235631	1	Plate
3	235047	1	Reed
4	270146	1	Baffle
5	47-050-01	1	Filter
6	231032	1	Seal
7	275144	1	Gasket
8	47-096-01	1	Cover
9	275220	1	Stud
10	X-799-1	1	Nut-Pal
11	47-326-03	1	Hose

Ref. No.	Part No.	Qty.	Description



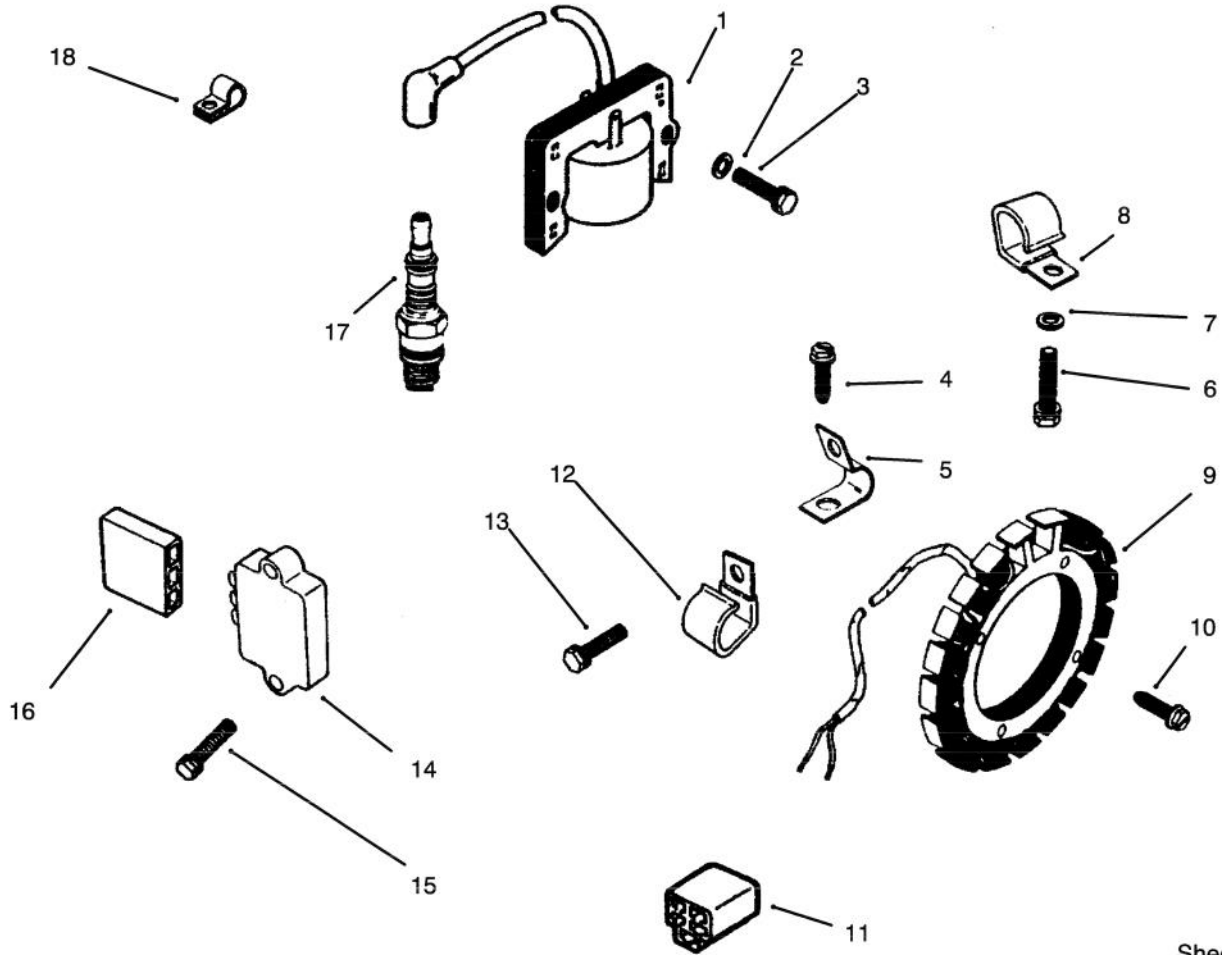
Sheet No.: 307

Flywheel

Ref. No.	Part No.	Qty.	Description
1	47-025-53	1	Flywheel
2	X-46-3	1	Key-Woodruff
3	41-100-01	1	Spacer
4	25-157-01	1	Fan
5	25-086-21	4	Screw-Hex Hd
6	24-162-01	1	Screen
7	25-086-24	1	Screw
8	52-468-15	1	Washer

Ref. No.	Part No.	Qty.	Description

3319-158

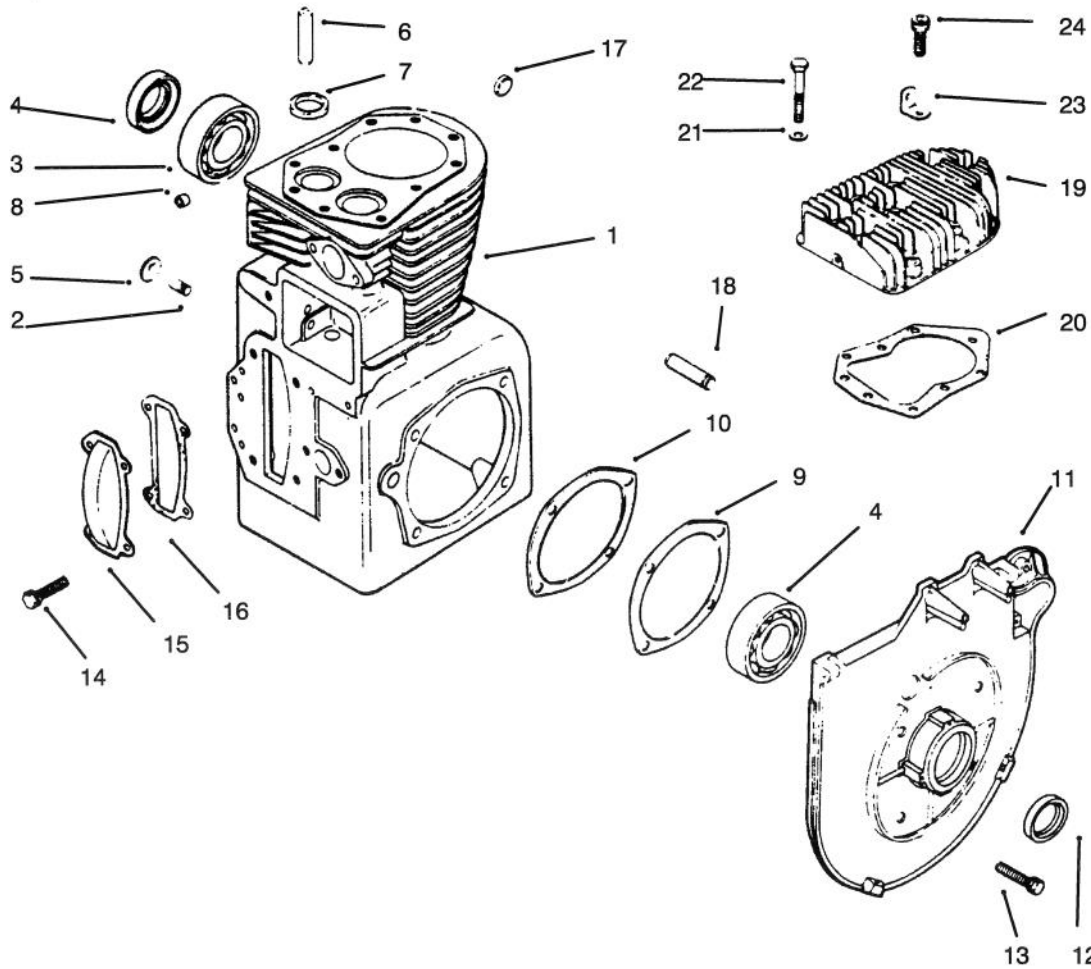


Sheet N o.: 308

Ignition System

Ref. No.	Part No.	Qty.	Description
1	47-584-02	1	Module-Ignition
2	X-25-79	2	Washer
3	X-156-1	2	Screw
4	X-67-59	1	Screw-Hex Hd
5	X-728-1	1	Clip-Kill Lead
6	X-67-83	1	Screw
7	X-25-72	1	Washer
8	255173	1	Clip
9	237878	1	Kit-Starter 15amp INCL 8
10	X-67-51	4	Screw
11	48-155-01	1	Connector
12	8830	1	Retainer-"j"
13	321-2	1	Screw-HH
14	25-755-03	2	Regulator-Rectifier
14	41-403-05	2	Regulator-Rectifier
15	X-132-4	2	Screw
15	X-132-5	2	Screw
16	236602	1	Connector-Regulator
17	235041-2	1	Plug-Spark
18	210281	1	Clip-Hi Tension
	47-518-36	1	Lead-Regulator
	47-518-43	1	Lead Wire

Ref. No.	Part No.	Qty.	Description

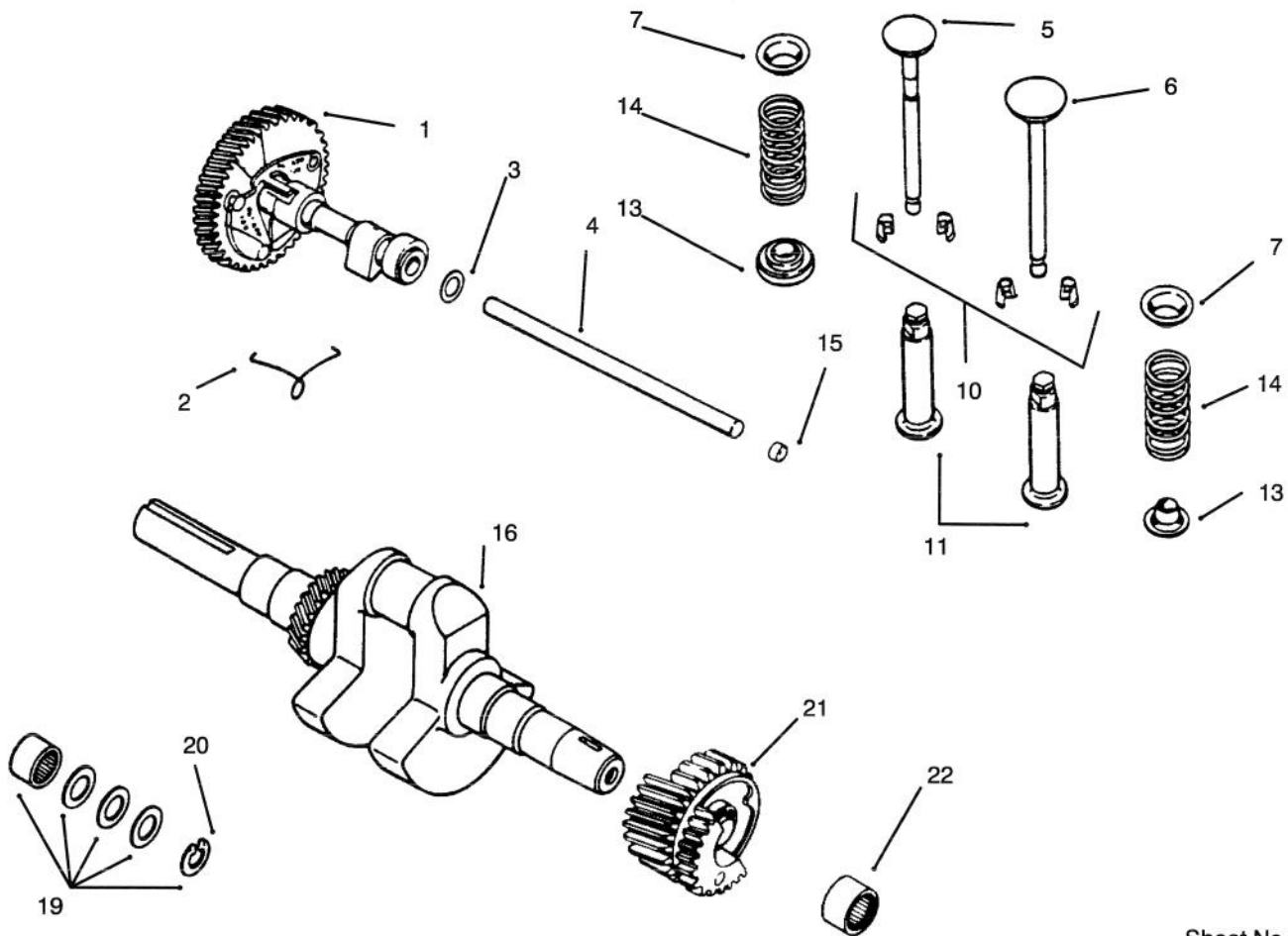


Sheet No.: 309

Crankcase And Cylinder Head

Ref. No.	Part No.	Qty.	Description
1	47-782-80	1	Miniblock W/Out Crank
1	77-522-35	1	Block-Cylinder 12hp
1	77-522-35	1	Block-Cylinder 12hp
2	235125-5	1	Shaft-Governor Gear 12hp
3	235376	2	Ball Bearing
4	47-032-07	1	Seal
5	X-230-11	1	Plug
6	230007-5	2	Guide-Valve 12hp
7	230170	1	Insert-Ex Valve 12hp
8	234866	1	Bearing
9	47-041-09	1	Gasket
10	47-522-05	1	Gasket
11	47-146-11	1	Plate-Bearing
12	47-032-06	1	Seal
13	X-159-2	4	Screw
14	X-132-6	4	Screw
15	235026	1	Cover
16	235025	1	Gasket
18	236559	1	Shaft-Balance Gear
19	47-015-06	1	Head-Cylinder
20	47-041-15	1	Gasket
21	270889	9	Washer
22	270158	8	Screw
23	47-455-02	1	Strap-Lifting
24	47-086-17	1	Screw

Ref. No.	Part No.	Qty.	Description
	47-004-02	1	Set-Gasket W/Seals
	47-755-27	1	Set-Gasket W/Seals

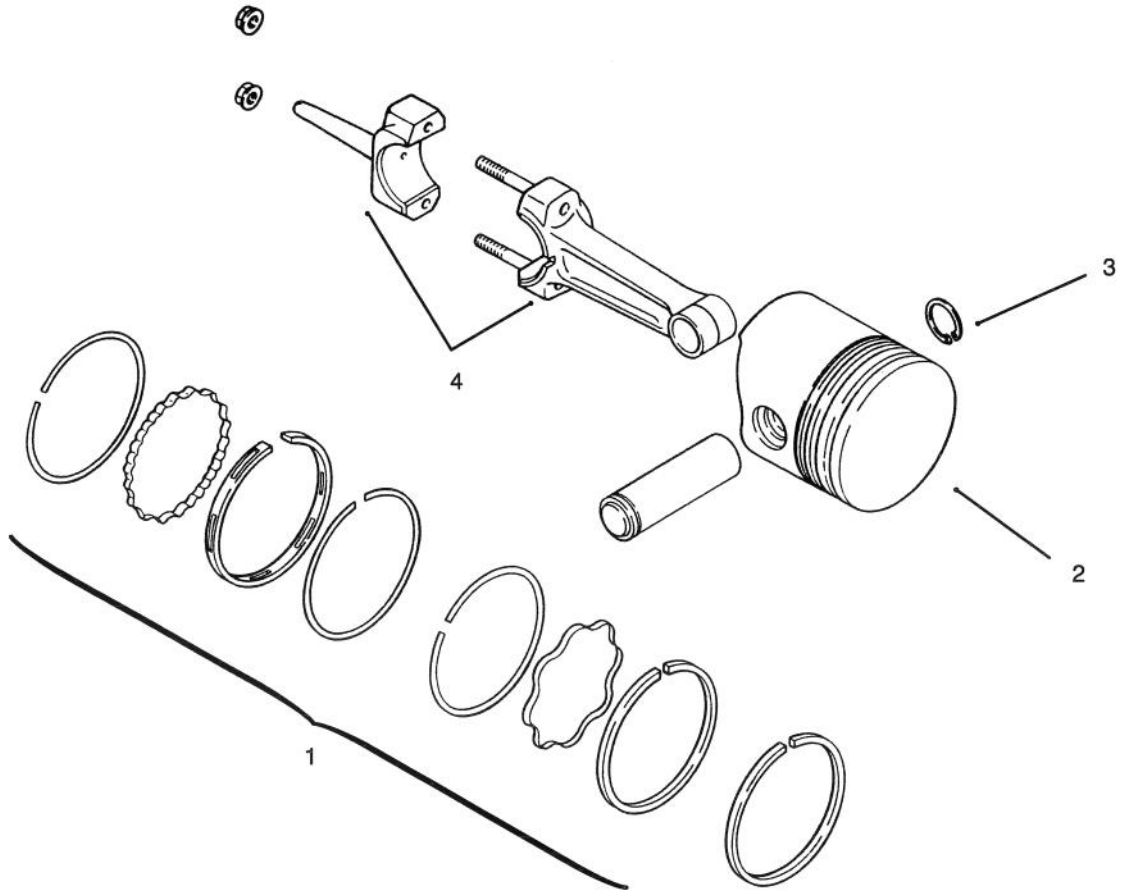


Sheet No.: 310

Camshaft, Crankshaft And Valves

Ref. No.	Part No.	Qty.	Description
1	47-010-11	1	Camshaft ASM INCL 2
2	47-089-01	1	Spring
3	275066	1	Spacer
4	47-380-09	1	Pin-Camshaft
5	235838	1	Valve-Exhaust
6	235008	1	Valve-Intake
7	235011	2	Retainer-Spring
8	235010	1	Spring
10	41-755-10	2	Kit-Retainer
12	D-235327	2	Tappet-Valve
13	230011	1	Retainer-Spring 12hp
14	235168	1	Spring
14	52-413-01	1	Rotator-Valve
15	X-702-3	1	Plug-Cup
16	47-142-02	1	Kit-Crankshaft
19	47-755-01	2	Kit-Spacer
20	X-269-34	1	Retainer
	275067	1	Spacer

Ref. No.	Part No.	Qty.	Description

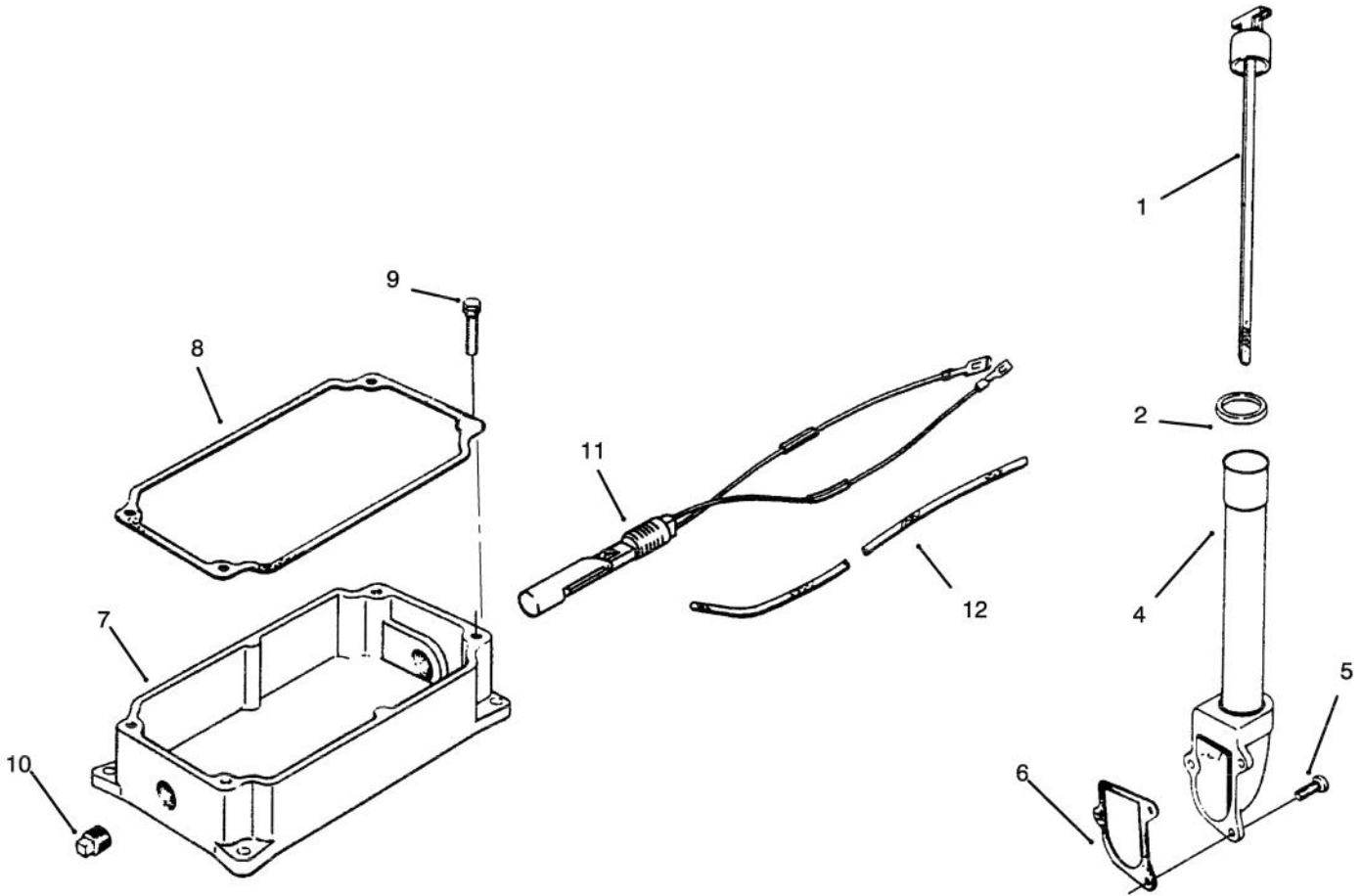


Sheet No.: 311

Piston And Rings

Ref. No.	Part No.	Qty.	Description
1	47-108-01	1	Set-Ring STD .003 12hp
1	47-108-02	1	Set-Ring .010
1	47-108-03	1	Set-Ring .020
1	47-874-20	1	Piston-Ring Set .030
2	47-874-14	1	Piston-Ring Set .003
2	47-874-16	1	Piston-Ring Set STD 12hp
2	47-874-18	1	Piston-Ring Set .010
2	47-874-19	1	Piston-Ring Set .020
3	47-018-01	2	Retainer-Piston Pin
4	45-067-24	1	Rod-Connecting STD 12hp
	25-468-04	1	Washer

Ref. No.	Part No.	Qty.	Description

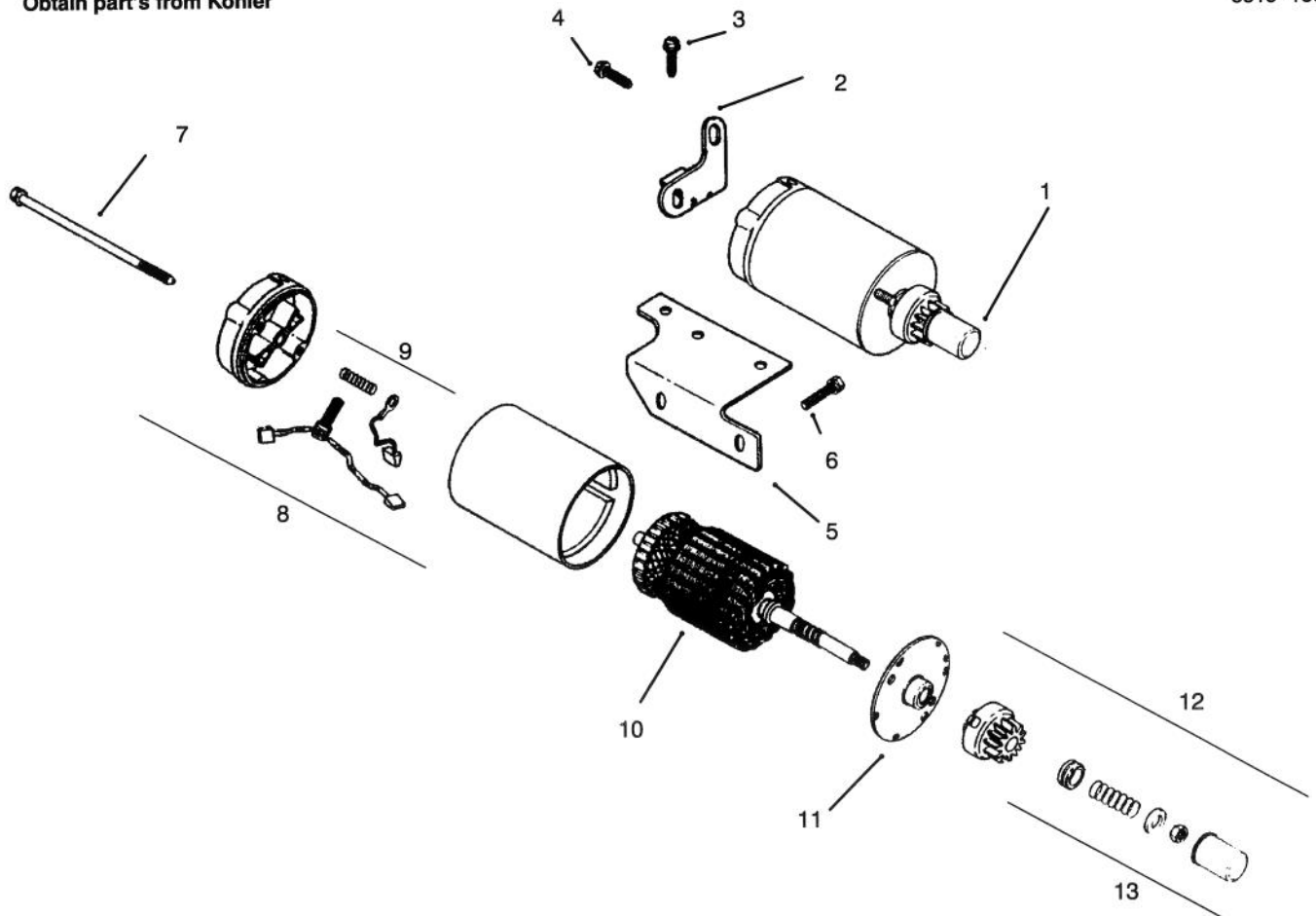


Sheet No.: 312

Oil Pan And Dipstick

Ref. No.	Part No.	Qty.	Description
1	47-038-27	1	Dipstick
2	41-153-01	1	O-Ring
4	47-029-06	1	Adapter-Oil Fill
5	X-131-2	3	Screw
6	237064	1	Gasket
7	45-199-05	1	Pan-Oil
8	235057	1	Gasket
9	X-159-3	4	Screw
10	X-75-10	4	Plug-SH 3/8 NPTF
11	47-099-04	1	Kit-Float Switch 12hp
12	25-431-02	1	Sleeve
	25-113-05	1	Decal-Float Switch
	48-155-01	1	Connector

Ref. No.	Part No.	Qty.	Description



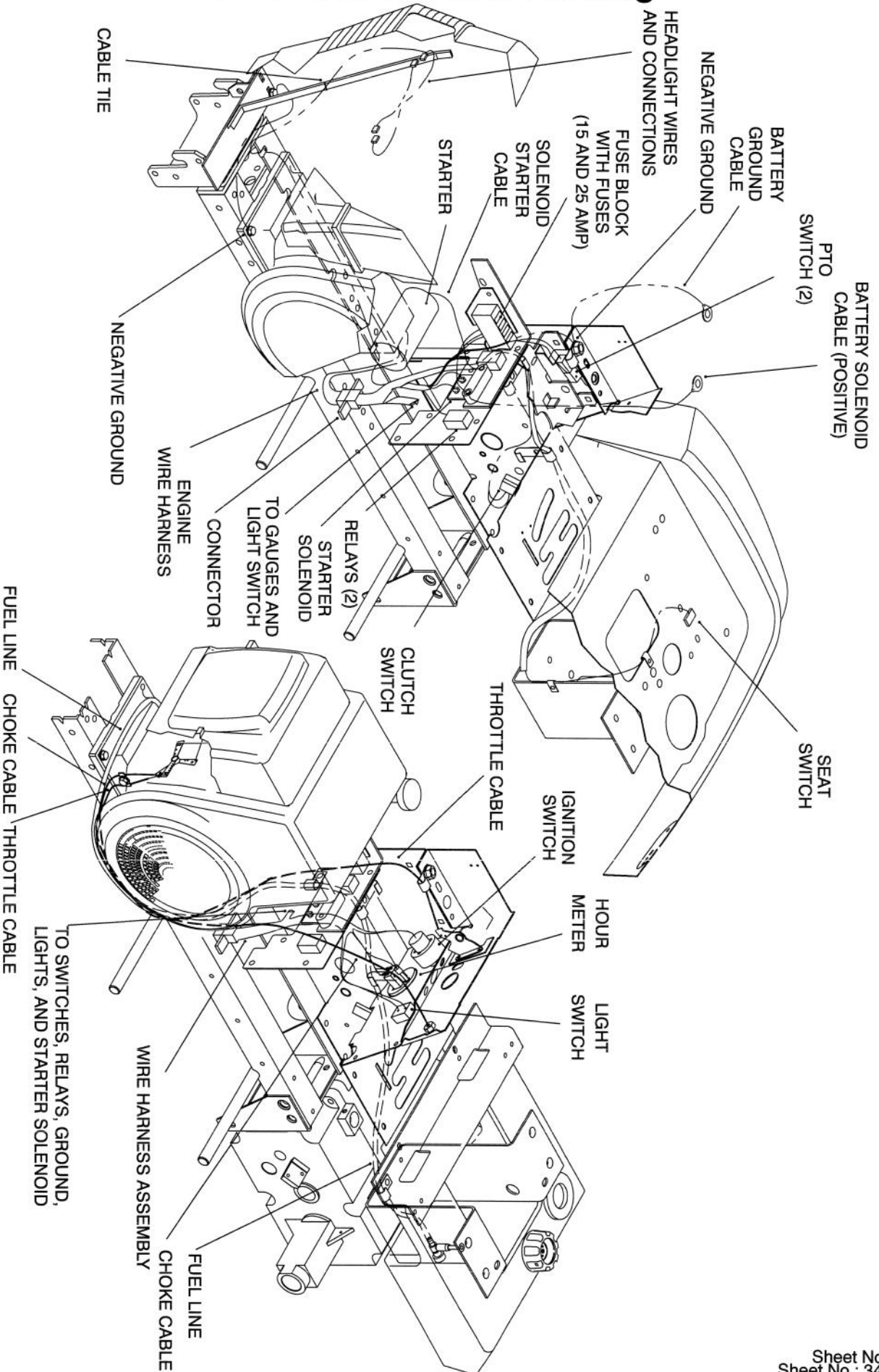
Sheet No.: 313

Starter

Ref. No.	Part No.	Qty.	Description
1	41-098-04	1	Starter ASM INCL 9-15
2	45-126-17	1	Brace-Starter Tail
3	X-67-62	1	Screw-Hex Hd
4	X-67-83	1	Screw
5	47-126-29	1	Bracket-Solenoid
6	X-159-2	2	Screw
7	41-086-19	2	Bolt
8	41-227-04	1	End Cap ASM-INCL 9
9	52-755-15	1	Kit-Brush
10	47-170-02	1	Armature
11	41-227-03	1	Cap-Drive End
12	47-755-07	1	Kit-Drive INCL 13
13	7-755-13	1	Kit-Drive Parts
	47-126-29	1	Bracket-Solenoid
	X-159-2	1	Screw

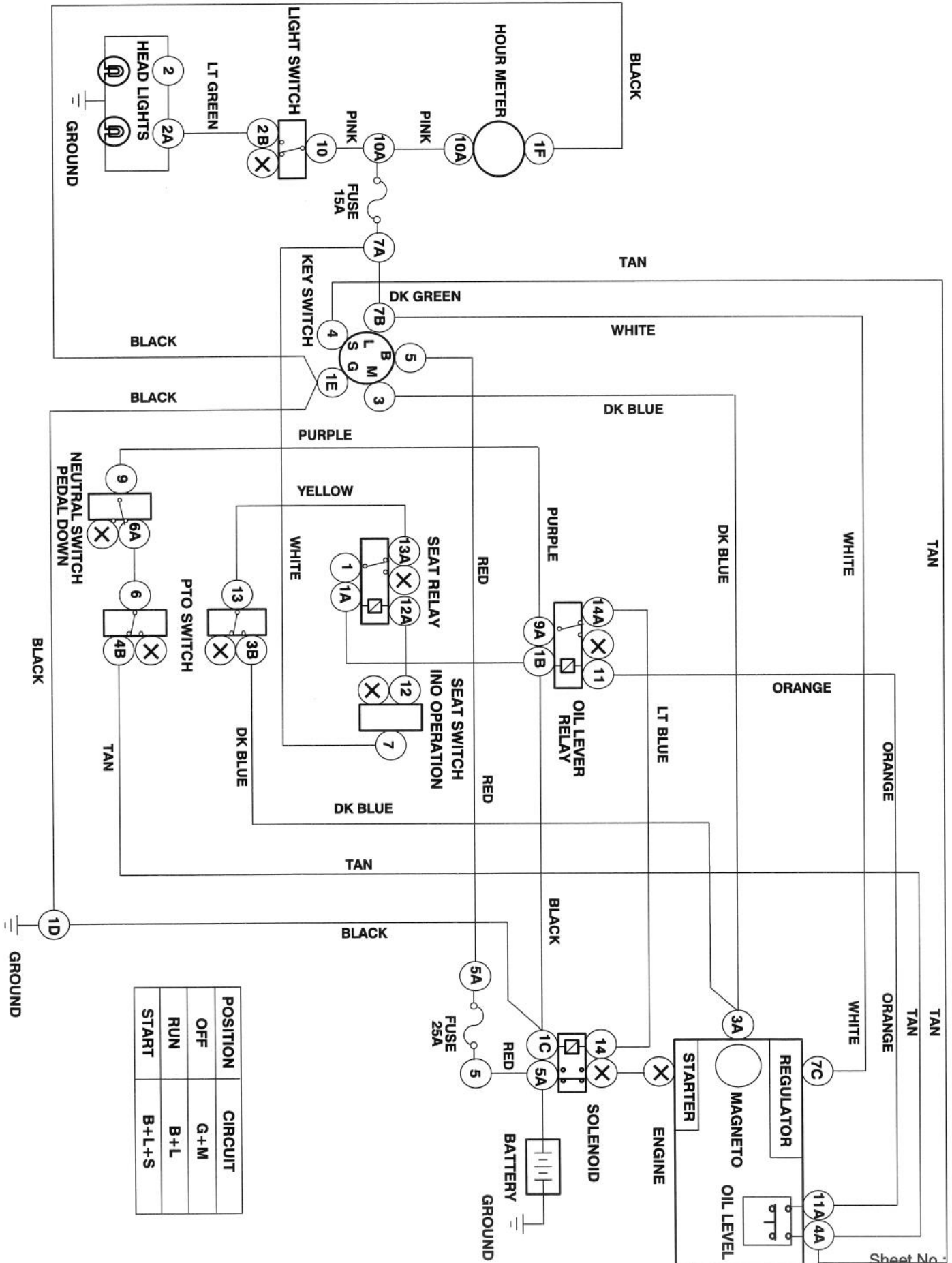
Ref. No.	Part No.	Qty.	Description

Wire Harness & Cable Routing

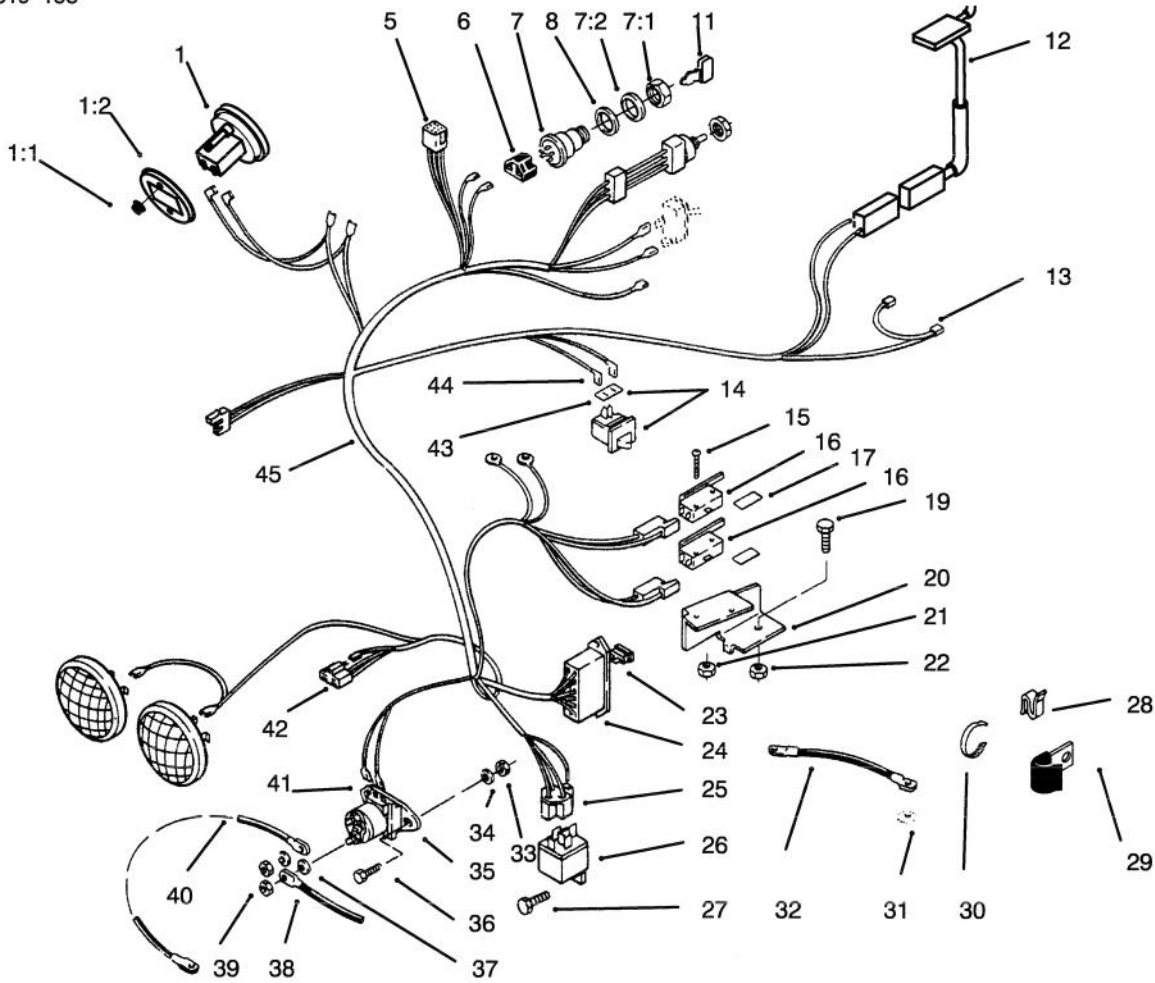


312-8 WIRE HARNESS, CABLE, AND TUBE ROUTING
 SINGLE CYLINDER

Electric Schematic



POSITION	CIRCUIT
OFF	G+M
RUN	B+L
START	B+L+S



Sheet No.:

312-8 Wire Harness Attachment & Component's

Ref. No.	Part No.	Qty.	Description
1	94-3723	1	Meter - Hour
1:1	32149-9	1	Nut - Lock
		1	Washer - Lock
1:2	94-1849	1	Retainer - Cup
5	102651	8	Terminal - Female
6	104926	1	Switch - Connector
7	116338	1	Switch - Ignition
7:1	101884	1	Nut - Special
7:2	920104	1	Washer - IntL. T
8	9202624	1	Washer - Special
11	62-7770	1	Key - Ignition,
12	38-1420	1	Switch - Seat
13	6921	1	Terminal
14	103480	1	Switch - Interlock, (Incl. Ref. #43)
15	910478	2	Screw
16	111332	3	Switch - PTO
17	111642	2	Barrier - Switch
19	926671	1	Bolt
20	115411	1	Support - Switch
21	915732	2	Nut
22	9155732	2	Nut
23	109355	1	Fuse 15 Amp
*	109102	1	Fuse 25 Amp
*	NN10277	1	Fuse 30 Amp
24	120930	1	Body - Fuse

Ref. No.	Part No.	Qty.	Description
25	518105	1	Terminal
26	116397	1	Relay
27	960152	2	Bolt - Whizlock
28	519337	1	Clip - Cable
29	8830	1	Clip
30	3290-378	1	Tie - Cable
31	3254-2	1	Washer - Lock
32	109910	1	Cable - Ground
33	3217-5	2	Nut - Lock
34	253-3	2	Washer - Lock
35	92-9845	1	Solenoid
38	111074	1	Cable - Battery +
39	3218-1	2	Nut
40	111069	1	Cable - Solenoid To Starter
41	518105	1	Terminal
42	112185	1	Body - Connector
43	110502	1	Shield - Dirt
44	518077	2	Terminal
45	79-3580	1	Wire Harness (Incl. Ref.# 5,6,13, 24, 25 42 &45)

Toro Part Number Index

Part No.	Page No.	Ref. No.	Qty.	Description
1121	6	9	1	Key
1239	13	17	1	Set Screw
1243	19	21	1	Plug-Cup
1278	2	9	3	Washer-Shim
1278	7	22	1	Washer-Shim
1278	14	14	4	Washer-Shim
1504	19	18:1	2	Bushing
1518	20	26:1	2	Bearing-Needle
1518	20	29:1	2	Bearing-Needle
1523	19	13	1	Bearing-Needle
1529	19	25	1	Bearing-Needle
1532	19	3	2	Bearing-Needle
1542	20	33	1	Bearing-Needle
2844	13	12	1	Washer-Flat
3503	20	17	2	Fork-Shift
3517	19	22	2	Ball-Detent
3517	20	21	1	Ball-Detent
3527	19	15	1	Gear-Cluster Shaft
3577	13	21	1	Dust Cover
3624	6	12	1	Spring-Compression
3765	7	8	1	Washer-Shim
3765	11	8	1	Washer-Shim
3909	19	17	1	Pin
3912	19	8	1	Gasket-Transmission
3915	19	7	2	Pin-Dowel
4204	19	16	1	ASM-Gear
5108	14	3:3	2	Valve-Tire Tubeless
5174	20	27	1	Gear-Low And Reverse
5175	20	26	1	ASM-Gear
5210	2	17	14	Washer-Shim
5210	14	15	2	Washer-Shim
5280	6	22	1	Knob-Height Control
5614	19	24	1	Pin-Shift
5615	20	14	1	Rail-Shift
5616	20	15	1	Rail-Shift
5618	2	30	1	Ring-Retaining
5618	15	11	2	Ring-Retaining
5666	11	4	1	Bushing-Nyliner
5979	1	17	2	Bushing-Nyliner
5983	11	6	1	Bushing
6216	2	26	1	Pin-Pivot
6229	6	29	1	Bearing
6397	2	8	1	Bearing-Bronze
6472	2	1	1	Bearing-Flanged
6658	10	13	1	Race-Bearing
6659	10	12	2	Retainer
6662	10	16	1	Bearing-Needle
6663	10	15	1	Seal-Oil
6739	6	36	1	Trunnion
6820	8	8	1	Grip
6876	12	5	1	Spacer
7201	20	31	1	Shaft-Input
7204	20	29	1	ASM-Gear
7205	20	30	1	Gear-Sliding
7206	20	23	1	Gear
7207	20	22	1	Bearing-Needle
7208	20	24	1	Shaft-Gear
7213	20	18	1	Screw-Detent
7269	19	18	1	Gear Cluster ASM
7418	20	32	1	Washer-Thrust
7451	7	3	1	Pulley-V
7456	4	10	4	Clamp

*Not Illustrated

Toro Part Number Index (cont.)

Part No.	Page No.	Ref. No.	Qty.	Description
7466	10	9	1	Pulley—Engine
7879	8	1	2	Bushing
7896	2	12	1	Washer—Bowed
7896	7	19	1	Washer—Bowed
8130	6	13	1	Retainer—Spring
8519	2	35	2	Clip—Wire
8616	15	20	2	Spring
8830	6	38	4	Retainer—"J"
8830	15	28	1	Retainer—"J"
8830	17	11	1	Retainer—"J"
8830	18	21	1	Retainer—"J"
9038	15	12	1	Grip
9416	19	4	1	Bearing—Needle
9547	20	7	1	Washer—Thrust
9593	13	10	1	Band—Brake
9598	13	9	1	Plate—Stop
100441	19	11	1	Seal—Oil
100442	20	34	1	Seal—Oil
100443	19	1	4	Seal—Oil
101017	15	15	1	Lock—Hitch
101161	7	11	1	Trunion
101623	20	10	4	Gear—Pinion
101707	15	23	1	Lock—Attachment
101750	15	19	1	Rod—Latch Pivot
101751	15	27	1	Rod—Lock
101850	1	15	1	Rod—Hood Stop
101889	20	5	2	Gear—Axle
102025	8	10	1	Spacer
102138	5	13	1	ASM—Switch
102703	13	5	1	Trans Nipple
102872	10	2	1	Shaft—PTO
102881	1	3	2	Headlamp
102974	20	9	1	ASM—Gear
103125	11	7	1	Spring—Extension
103347	7	14	1	Rod—Clutch
103480	3	25	1	Switch—Interlock
103628	8	6	1	Spring—Extension
104047	17	1:3	1	Bushing
104048	17	1:2	1	Assembly—Valve
104859	11	18	1	Spacer—Link
104962	16	5	1	Battery
105061	20	8	1	Gear—Differential
105269	15	5	1	Pin—Drawbar Hitch
105316	6	10	2	Cap—Rod
105316	15	14	2	Cap—Rod
105453	10	10	1	Key—Sq
105503	9	5	2	Bushing
105797	1	18	2	Ring—Retaining
105797	15	18	8	Ring—Retaining
105875	19	2	2	Axle—Rear
105876	20	6	2	Ring—Retaining
105900	8	13	1	Rod—Brake
106030	19	23	1	Spring—Stop
106030	20	20	1	Spring—Stop
106165	13	19	1	Pulley—Transmission
106193	7	2	1	Screw—Spec HH
106235	17	1:1	1	Tank—Fuel
106257	6	18	1	Rod—Latch
106269	6	3	2	Bearing—Flange
106417	8	16	1	Rod—Pivot
106522	6	35	1	Chain—Lift
106634	15	8	1	Pin—Tool

*Not Illustrated

Toro Part Number Index (cont.)

Part No.	Page No.	Ref. No.	Qty.	Description
106695	10	20	1	Ring—Push On
106719	13	11	1	Drum—Brake
106858	12	11	1	Clamp—Muffler
106948	16	8	1	Tray—Battery
107069	3	19	4	Nut—Retainer
107069	4	5	6	Nut—Retainer
107374	20	3	4	Washer—Flat
107677	8	12	1	Spring—Extension
108130	1	4	1	Wire—Ground
108457	4	14	1	Nut—Push On
108565	6	8	1	Shaft—Lift Lever
108758	13	3	1	Knob
108881	15	4	6	Nut—Hex
108881	20	11	1	Nut—Hex
109114	14	13	2	Washer—Flat
109154	14	12	2	Cap—Hub
109189	2	16	1	Bearing—Flange
109262	2	13	2	Washer
109459	1	5	2	Clamp—Headlight
109494	1	2	1	Bezel—RH Headlight
109495	1	1	1	Bezel—LH Headlight
109530	5	20	1	Nut—Hex Palnut
109842	10	5	1	Bearing—Ball
109910	12	14	1	Wire—Ground
109989	9	13	2	Spacer
110234	13	13	1	Screw
110653	6	26	1	Rod—Height Control
110656	11	12	1	Trunnion
110669	11	11	1	Plate—PTO
110727	13	23	1	Rod—Shift
111052	11	24	1	Rod—PTO Clutch
111069	16	6	1	Cable—8" Lg.
111069	18	23	1	Cable—8" Lg.
111074	16	1	1	Cable—16" Lg.
111074	18	28	1	Cable—16" Lg.
111096	20	29	1	Gear
111099	20	26	1	Gear
111196	20	4	2	Cap—End
111199	20	2	2	Bearing—Ball
111242	10	30	1	Wire—Guide
111314	10	27	1	Lock Pin ASM
111332	18	4	2	Switch—Interlock
111383	7	18	1	Collar w/Set Screw
111383	8	20	1	Collar w/Set Screw
111392	3	16	1	Retainer
111510	3	38	1	Decal—Parking Brake
111516	14	3:1	2	Wheel
111534	3	32	1	Decal—Shift Pattern
111757	1	7	1	Edging
111926	3	36	1	Decal—Elec System
111960	3	33	1	Decal—PTO Clutch
112168	3	35	1	Decal—Lift
112214	5	9	1	Control—Choke
112358	1	28	1	ASM—Hood & Grill
112415	3	7	1	Stop—PTO
112841	10	29	1	Cap
113010	16	10	1	Hold Down
113107	10	26	1	Clevis
113108	10	1	1	Rod—PTO Housing
113379	2	31	1	Spindle—LH
113380	2	32	1	Spindle—RH
113443	2	14	1	Tube—Steering Shaft

*Not Illustrated

Toro Part Number Index (cont.)

Part No.	Page No.	Ref. No.	Qty.	Description
113969	16	9	2	Hook—Retainer
114720	16	7	1	Tube—Battery Drain
115411	18	2	1	Bracket—Switch
115854	5	17	1	Control—Throttle
116000	4	8	6	Screw—CARR
116338	5	14	1	ASM—Switch
116397	18	17	2	Relay
116636	20	19	1	ASM—Fork
116742	14	3:2	2	Tire—23x8.50—12
116745	1	19	1	Rod—Grill Pivot
116746	1	20	1	Bracket—Grill RH.
116747	1	13	1	Bracket—Grill LH
116884	14	10:1	2	Tire—15x6—6
117255	12	10	1	Engine—12 Hp Kohler
117285	14	10:2	2	ASM—Wheel
117289	14	10	2	ASM—Wheel & Tire
117343	3	11	2	Latch—Hood
117344	1	10	2	Handle—Latch
117371	3	21	4	Screw—CARR
117432	1	9	4	Poprivet
117432	3	12	4	Poprivet
117930	15	17	1	Latch ASM—Mid
120930	18	9:1	1	Fuse Holder
519337	17	16	1	Clip
700806	9	15	2	Knob
701178	9	1	2	Cap—Protector
911423	20	1	4	Screw—HH
920248	7	16	1	Washer—Nylon
920248	8	4	2	Washer—Nylon
933148	6	17	1	Pin—Spirol
933156	20	16	2	Pin—Hd Spirol
933184	13	22	1	Pin—Spirol
933190	7	13	1	Pin
933267	7	33	1	Pin
933274	10	25	1	Pin—Spirol
937089	19	20	1	Key—Woodruff
937108	13	25	2	Key—Woodruff
937221	13	18	1	Key—Woodruff
9080026	10	14	4	Screw—Lock
9103312	12	13	4	Screw
9104784	18	5	2	Screw
9107922	5	7	2	Screw—Phcr
9107944	18	8	2	Screw—Phcr
9108372	3	1	6	Screw—Phcr
9108372	4	7	2	Screw—Phcr
9151126	3	22	4	Nut
9157324	18	1	2	Nut—Lock
9157404	5	1	2	Nut
9157404	18	12	2	Nut
9202254	7	23	1	Washer—Flat
9202594	5	21	1	Washer
9202624	5	18	1	Washer—Flat
9266714	1	6	2	Screw—HWHTF
9266714	18	6	1	Screw—HWHTF
9266944	3	8	11	Screw—HH
9266944	4	15	1	Screw—HH
9266944	6	7	1	Screw—HH
9266944	8	17	1	Screw—HH
9266944	9	10	8	Screw—HH
9266944	18	20	5	Screw—HH
9266964	6	21	2	Screw—HH
9266974	17	8	2	Screw—HH

*Not Illustrated

Toro Part Number Index (cont.)

Part No.	Page No.	Ref. No.	Qty.	Description
9335054	6	32	2	Hairpin
9335054	8	3	2	Hairpin
9335054	11	9	1	Hairpin
9335054	15	10	1	Hairpin
9335064	10	23	1	Hairpin
9335074	6	19	2	Cotter-Hairpin
9791204	15	6	2	Spacer
28-8080	16	2	1	Boot-Battery Terminal
38-1420	9	19	1	Switch-Seat
55-3570	17	7	1	Cap-Fuel
62-7770	5	10	2	Key-Ignition
66-0120	5	6	1	Knob
76-1340	9	30	1	Decal-USA
78-1550	6	28	1	Lever
78-2880-01	2	4	1	Shaft-Steering
78-2900	2	33	2	ASM-Rod
78-2970-01	7	5	1	ASM-Clutch Idler Arm
78-3010-03	3	23	1	Bracket-Battery Support
78-3020-03	18	22	1	Plate-Front
78-3240	7	29	1	Absorber-Gas Spring
78-3250	7	28	1	Spacer-Shoulder
78-3260	7	32	1	Spacer-Shoulder
79-0950-03	9	17	1	Bracket-Pivot RH
79-0970-03	9	12	1	Bracket-Pivot LH
79-2470	3	34	1	Decal-Back Plate
79-3580	18	9	1	Wiring-Harness & Dia
79-3640-03	3	13	1	Console
79-4990-01	17	19	1	Bracket-Fender Support
79-5810	3	37	1	Decal-Console
83-2710	13	1	1	Knob
83-2720	14	2	10	Bolt-Lug
83-2890	19	12	1	Bearing-Needle
83-3530	19	19	1	Shaft-Cluster
83-6520	15	16	1	Rod-Lock
88-2170-03	3	24	1	Bracket-Belt
88-2710-01	2	5	1	Support-Lower Steering
88-3870	2	21:1	1	Cover-Steering Wheel
92-1525-03	3	20	1	Hoodstand
92-4987	2	19	1	Steering Shaft
92-6511	9	9	1	Seat
92-6710	6	11	1	Grip-Handle
92-6750	9	8	2	Spacer-Nylon
92-6849	8	23	1	Rod-Brake
92-6972-03	9	7	1	Support-Seat
92-6986	9	6	2	Bolt-Shoulder
92-7054	9	3	2	Spring-Compression
92-8747	15	29	2	Decal-Attach A Matic
92-8946	3	31	1	Decal-Danger
92-9511	17	20	1	Line-Fuel 62"
92-9824	1	27	1	Decal-Hood LH
92-9825	1	25	1	Decal-Hood RH
92-9826	1	24	1	Decal-Front Hood
92-9827	9	28	1	Decal-Fender
92-9828	3	30	2	Decal-312 8 Speed
92-9837	1	26	1	Decal-Danger
92-9845	18	15	1	Solenoid
93-1613	15	22	1	Latch-Front
93-9808	7	1	1	V-Belt
94-1808-03	3	2	1	Plate-Hoodstand
94-1834	13	24	1	Decal-Unidrive
94-2869	9	14	2	Washer-Flat
94-3519	2	21	1	Wheel-Steering

*Not Illustrated

Toro Part Number Index (cont.)

Part No.	Page No.	Ref. No.	Qty.	Description
94-3521-01	4	17	1	Footrest RH.
94-3522-01	4	9	1	Footrest LH
94-3701	11	2	1	Rod-PTO Control
94-3703-01	7	20	1	Pedal-Clutch
94-3704	10	21	1	Belt Cover-PTO
94-3706-01	8	18	1	Pedal-Brake
94-3710	4	1	1	Mat-Foot RH.
94-3712	4	2	1	Mat-Foot LH
94-3722-01	9	11	1	Fender
94-3723	5	11	1	Hourmeter
94-3724-01	4	19	1	Belt Guard
94-3726-01	10	18	1	Bracket
94-3727	11	1	1	Knob
94-3729	10	28	1	Retainer-Bolt
94-3735	10	22	2	Nut-Wing
94-3736	1	23	1	Plate-Logo
94-3738	12	12	1	Shield-Heat
94-3739	12	1	1	Muffler
94-6650	10	8	1	ASM-Plate
94-6652	11	20	1	ASM-Brake
94-6670	13	6	1	ASM-8 Spd
94-6673-01	2	22	1	Frame
94-6683	7	17	1	Sleeve-Protective
94-6683	8	21	1	Sleeve-Protective
95-5142	13	2	1	ASM-Rod
95-5143-01	19	9	1	Case-Trans
101711-01	15	25	1	Plate-Front Hitch
101847-03	13	4	1	Dipstick
102644-01	15	3	2	Plate-Hitch
102870-01	15	2	1	Bracket-PTO Support
103478-01	10	7	1	Housing-Clutch
103543-03	8	5	1	Bellcrank-Brake
105763-03	13	28	2	Hub-Wheel
105896-01	7	12	1	Arm-Clutch Rod
106236-01	17	18	1	Support-Fuel Tank RH.
106250-03	3	27	1	Cover-Dust
106258-03	6	23	1	Sleeve
106345-03	6	25	1	Casting-Lift Lever
106352-01	4	13	1	Guard-Lower Belt
106411-03	6	6	1	ASM-Lift Hgt Cont Bkt
106451-03	8	9	1	Lever-Parking Brake
107951-03	3	28	1	Bracket-Fender Front
108464-01	17	12	1	Bracket-Support
108563-03	6	16	1	ASM-Lift Lever
109554-03	18	18	1	Bracket-Guard
111200-01	19	6	1	Case-Trans
111240-03	11	13	1	Bracket
111386-03	3	5	1	Plate-Shift
113445-01	6	31	1	Bar-Lift
113935-01	4	6	1	Cover-Side LH
117331-03	18	11	1	Bracket-Fuse Holder
120590-03	5	2	1	Stop-Throttle
1644-01	15	7	1	Hitch ASM
237-69	2	20	1	O-Ring
2412-98	17	21	2	Clamp-Hose
281-2	20	12	1	Plug-Pipe
281-10	20	13	1	Plug-Pipe
302-5	2	28	2	Fitting-Grease
302-5	7	21	1	Fitting-Grease
302-5	8	19	1	Fitting-Grease
302-11	2	7	2	Fitting-Grease
321-3	13	7	2	Screw-HH

*Not Illustrated

Toro Part Number Index (cont.)

Part No.	Page No.	Ref. No.	Qty.	Description
321-4	16	3	2	Screw-HH
321-9	7	31	1	Screw-HH
321-31	7	7	1	Screw-HH
322-1	2	24	1	Screw-HH
322-2	6	39	2	Screw-HH
322-2	17	15	2	Screw-HH
322-3	17	17	4	Screw-HH
322-4	9	4	4	Screw-HH
322-5	3	3	2	Screw-HH
322-5	6	24	3	Screw-HH
322-6	6	34	1	Screw-HH
322-7	12	2	1	Screw-HH
323-5	13	14	4	Screw-HH
323-6	2	2	2	Screw-HH
323-6	10	19	1	Screw-HH
323-6	11	10	1	Screw-HH
323-6	12	7	2	Screw-HH
323-8	2	6	2	Screw-HH
323-8	12	9	2	Screw-HH
323-9	8	14	1	Screw-HH
323-11	19	14	5	Screw
323-16	19	10	1	Screw-HH
323-44	15	1	6	Screw-HH
324-5	10	33	1	Screw-HH
324-5	11	16	2	Screw-HH
3217-5	13	16	1	Nut-Hex
3218-1	11	23	2	Nut-Jam
3218-3	13	27	4	Nut-HJ
3229-25	1	14	4	Screw-CARR
3229-25	11	19	2	Screw-CARR
3230-1	4	12	1	Bolt-CARR
3231-25	15	26	3	Screw-CARR
3234-33	18	24	6	Screw-HFW
3235-22	17	10	2	Screw-HH
3242-2	13	20	1	Screw Set-SH
3243-5	13	26	4	Screw-Set
3246-2	10	11	2	Screw-HSH Set
3250-31	9	20	4	Screw-Phcr
3253-3	11	22	2	Washer-Lock
3253-3	13	8	2	Washer-Lock
3253-4	2	25	1	Washer-Lock
3253-4	12	3	1	Washer-Lock
3253-4	17	14	2	Washer-Lock
3253-6	10	32	1	Washer-Lock
3253-6	11	15	2	Washer-Lock
3253-21	13	15	4	Washer-Lock
3254-1	9	23	4	Washer-Lock
3254-2	1	21	1	Washer-Lock
3255-7	18	16	2	Washer-Lock
3255-9	12	15	2	Washer-Lock
3256-4	17	9	2	Washer-Flat
3256-5	6	20	1	Washer-Flat
3256-22	1	12	3	Washer-Flat
3256-22	7	30	1	Washer-Flat
3256-22	11	21	2	Washer-Flat
3256-23	3	4	2	Washer-Flat
3256-23	6	5	3	Washer-Flat
3256-23	12	4	1	Washer-Flat
3256-24	7	10	1	Washer-Flat
3256-24	8	11	1	Washer-Flat
3256-25	6	33	1	Washer-Flat
3256-25	10	31	1	Washer-Flat

*Not Illustrated

Toro Part Number Index (cont.)

Part No.	Page No.	Ref. No.	Qty.	Description
3256-25	11	14	2	Washer-Flat
3256-26	8	2	1	Washer-Flat
3256-26	15	9	1	Washer-Flat
3256-27	10	24	1	Washer-Flat
3256-37	5	19	1	Washer-Flat
3256-62	6	2	2	Washer-Flat
3272-1	1	16	2	Pin-Cotter
3272-6	7	9	1	Pin-Cotter
3272-10	6	27	1	Pin-Cotter
3272-10	7	15	1	Pin-Cotter
3272-10	8	22	1	Pin-Cotter
3272-10	11	5	3	Pin-Cotter
3272-17	14	7	2	Pin-Cotter
3272-19	2	11	1	Pin-Cotter
3272-21	2	18	1	Pin-Cotter
3290-479	4	3	16	Fastener-Panel
3296-6	2	3	4	Nut-Lock
3296-27	9	24	4	Nut-Lock
3296-29	3	26	2	Nut-Lock
3296-29	4	11	7	Nut-Lock
3296-29	6	4	6	Nut-Lock
3296-29	9	16	2	Nut-Lock
3296-29	17	13	4	Nut-Lock
3296-39	2	23	4	Nut-Lock
3296-39	6	37	1	Nut-Lock
3296-39	8	15	1	Nut-Lock
3296-39	12	6	2	Nut-Lock
3296-39	15	24	3	Nut-Lock
3296-39	19	5	6	Nut-Lock
3296-42	1	11	4	Nut-Lock
3296-42	7	4	2	Nut-Lock
3296-42	16	12	2	Nut-Lock
3296-42	18	19	6	Nut-Lock
3296-58	9	2	2	Nut-Flange
3296-59	11	17	1	Nut-Lock
32103-22	16	11	2	Nut-Wing
32120-47	6	30	1	Ring-Retaining
32120-62	10	4	1	Ring-Retain
32120-72	10	3	2	Ring-Retaining
32120-93	2	34	2	Snap Ring
32121-25	6	15	1	Pin-Roll
32121-103	6	14	1	Pin-Spring
32121-111	2	15	1	Pin-Spiral
32128-19	8	7	1	Nut-Lock
32128-40	10	17	1	Nut-Lock
32136-5	2	10	1	Nut-Slotted
32146-2	7	6	1	Nut-Lock
32149-2	18	27	2	Nut-Hex Lock
32151-11	11	3	1	Ring-Grip
32151-91	6	1	1	Ring-Retaining
5638-01	2	27	1	Axle-Front