



**Count on it.**

**Parts Catalog**

**Workman® HDX-D**

**4-Wheel Drive Utility Vehicle with Bed**

**Model No. 07371—Serial No. 290000001 and Up**

# Ordering Replacement Parts

To order replacement parts, please supply the part number, the quantity, and the description of each part desired.

## Understanding Reference Numbers

Each identified part in an illustration has a reference number. The reference number for a part also appears in the parts list, along with other information about the part.

This catalog uses two special reference number formats, one to indicate parts in a service assembly and another to indicate the quantity of a given part in an illustration.

## Service Assembly Reference Numbers

Parts in service assemblies have reference numbers in the form a:b. The a represents the reference number of the entire service assembly and the b represents a sequential number unique to each part within the service assembly.

For example, a wheel assembly might be identified by reference number 6, the tire by 6:1, the valve by 6:2, and the wheel by 6:3. When you order the assembly identified by reference number 6, you receive all parts identified by reference numbers 6:1, 6:2, and 6:3. However, you may also order any part individually. Reference numbers of this type appear in illustration and in parts lists.

## Reference Numbers Indicating Quantity

In an illustration, if a reference number indicates more than one part, the reference number has the form nX y. The n represents the quantity of the part, the X is the multiplication symbol, and the y represents the reference number.

For example, in an illustration, the reference number 2X 37 means that two of the parts identified by reference number 37 are indicated.

# List of Abbreviations

**AR:** as required

**ASM:** assembly

**BBC:** blade brake control

**BHTF:** button head thread forming

**CARR:** carriage

**CCW:** counter clockwise

**CW:** clockwise

**DEG:** degrees

**DPA:** Dual Point Adjustment

**ECM:** electronic control module

**EXT:** external

**FH:** flat head

**GA:** gauge

**HD:** heavy-duty

**HF:** hex flange

**HH:** hex head

**HHF:** hex head flange

**HHFTF:** hex head flange thread forming

**HJ:** hex jam

**HLH:** hex lag head

**HOC:** height-of-cut

**HSBH:** hex socket button head

**HSFH:** hex socket flat head

**HSH:** hex socket head

**HWH:** hex washer head

**HWHTF:** hex washer head thread forming

**HYD:** hydraulic

**LH:** left hand

**LPG:** Liquid Propane Gas

**NI:** nylon insert

**NPTF:** national pipe thread fine

**PFH:** phillips flat head

**PPH:** phillips pan head

**PPHTF:** phillips pan head thread forming

**PRH:** phillips round head

**PTH:** phillips truss head

**PTO:** power-take-off

**RH:** right hand

**ROPS:** roll-over protection system

**RRB:** rear roller brush

**SFH:** slotted fillister head

**SHH:** slotted hex head

**SHWH:** slotted hex washer head

**SPH:** slotted pan head

**SQH:** square head

**SRH:** slotted round head

**STD:** standard

**TAP:** self tapping

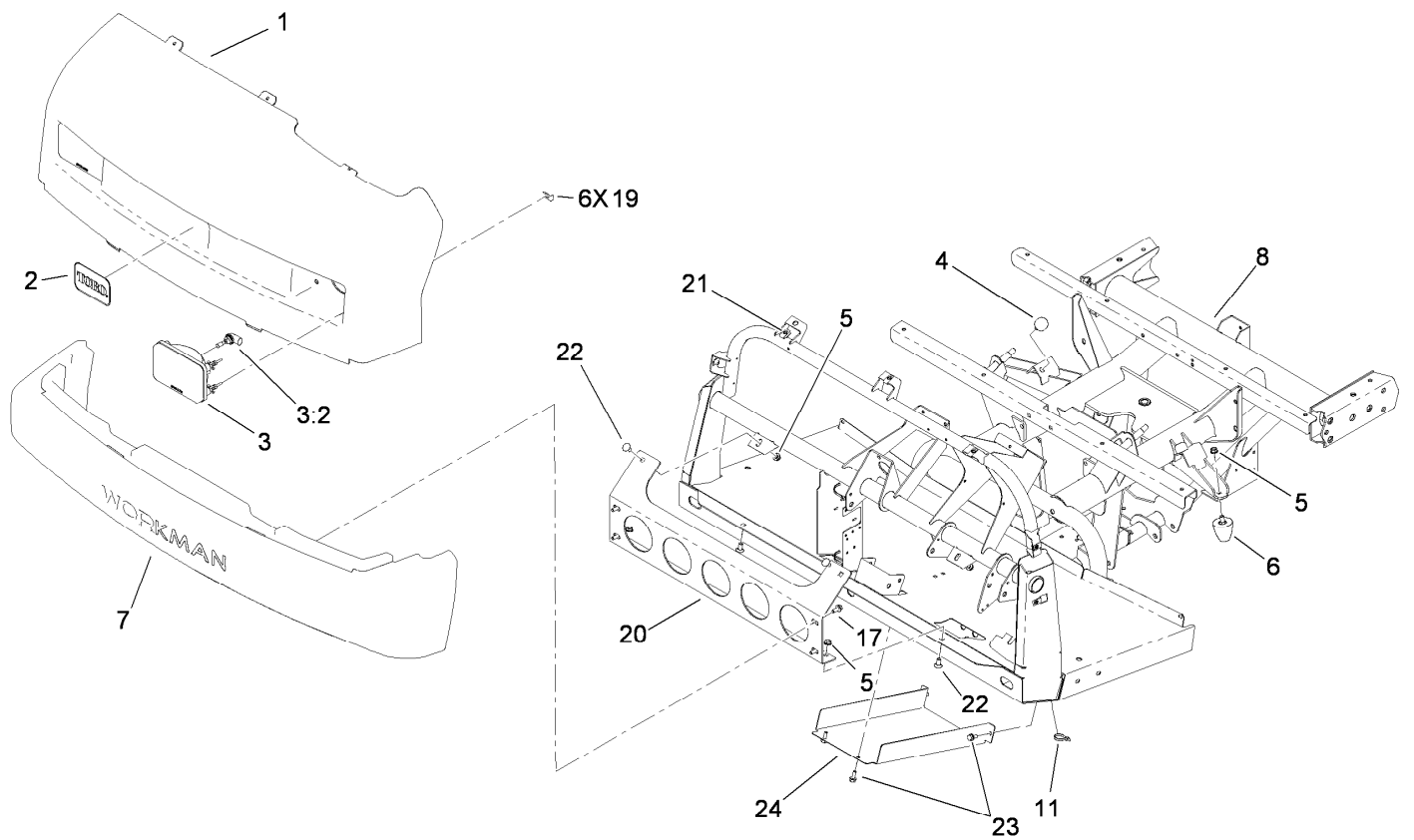
**TTH:** torx truss head

# Contents

Hood and Bumper Assembly .....	5
Dash Assembly .....	6
Pedal Assembly .....	7
Master Cylinder Assembly No. 104-6782 .....	8
Hydraulic Brake Line Assembly .....	9
Clutch Linkage Assembly .....	10
Shroud and Seat Assembly .....	11
LH Seat Assembly .....	12
RH Seat Assembly .....	13
Console Assembly .....	14
Shift Assembly No. 106-7887 .....	15
Steering Hydraulic Assembly .....	16
Steering Valve Assembly No. 115-7926 .....	17
Lift Valve and Hydraulic Assembly .....	18
Control Valve Assembly No. 43-1950 .....	20
Hydraulic Cylinder Assembly No. 106-7939 .....	21
Front Wheel Assembly .....	22
Hydraulic Cylinder Assembly No. 114-8349 .....	23
Steering Linkage Assembly .....	24
Front Suspension Assembly .....	25
Front Control Arm Assembly .....	26
Rear Frame Assembly .....	27
Rear Axle Assembly .....	28
Driveshaft Assembly No. 114-8367 .....	29
Transaxle Assembly .....	30
Case Assembly 4 Wheel Drive Transaxle Assembly No. 115-2175 .....	31
Center Plate Assembly 4 Wheel Drive Transaxle Assembly No. 115-2175 .....	32
Main Shaft Assembly 4 Wheel Drive Transaxle Assembly No. 115-2175 .....	33
Reduction Shaft Assembly 4 Wheel Drive Transaxle Assembly No. 115-2175 .....	34
Reverse Shaft Assembly 4 Wheel Drive Transaxle Assembly No. 115-2175 .....	35
Main Shift Assembly 4 Wheel Drive Transaxle Assembly No. 115-2175 .....	36
Hi-Lo Shift Assembly 4 Wheel Drive Transaxle Assembly No. 115-2175 .....	37
Countershaft Assembly 4 Wheel Drive Transaxle Assembly No. 115-2175 .....	38
Differential Gear Assembly 4 Wheel Drive Transaxle Assembly No. 115-2175 .....	39
Differential Carrier Assembly 4 Wheel Drive Transaxle Assembly No. 115-2175 .....	40
Differential Lock Assembly 4 Wheel Drive Transaxle Assembly No. 115-2175 .....	41
Axle Shaft Assembly 4 Wheel Drive Transaxle Assembly No. 115-2175 .....	42
Front Drive Assembly 4 Wheel Drive Transaxle Assembly No. 115-2175 .....	43
Battery Assembly .....	44
Tail Light and Fender Assembly .....	45
Roll-Over Protection System Assembly .....	46
Air Cleaner Assembly .....	47
Air Cleaner Assembly No. 106-2416 .....	48
Cooling System Assembly .....	49
Radiator Assembly .....	50
Engine Support Assembly .....	51
Hydraulic Gear Pump Assembly No. 114-8302 .....	52
Relay Assembly .....	53
Engine Assembly .....	54
Fuel System Assembly .....	55
4 Wheel Drive Assembly .....	56
Differential Assembly No. 115-2170 .....	57
Drive Shaft Assembly No. 115-2171 .....	58
Full Bed and Side Panel Assembly .....	59

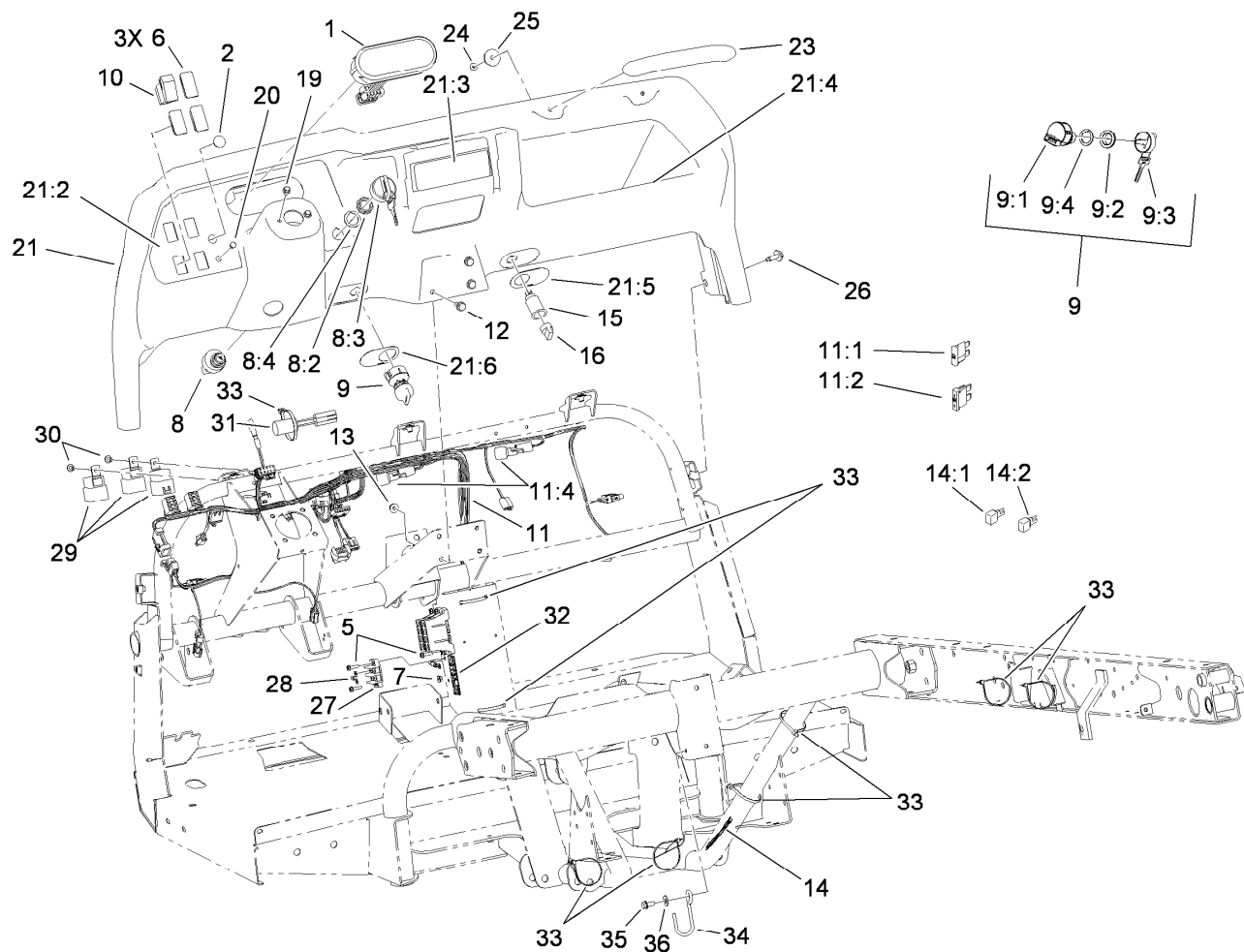
# Contents (continued)

Cylinder Assembly .....	60
Crankshaft Assembly .....	61
Cylinder Head Assembly .....	62
Injection Pump Assembly .....	63
Camshaft Assembly .....	64
Oil Pan Assembly .....	65
Gear Cover Assembly .....	66
Gear Housing Assembly .....	67
Water Pump Assembly .....	68
Manifold Assembly .....	69
Starter Motor and Alternator Assembly .....	70
Engine Gasket Set .....	71
Attachments and Accessories .....	72



## Hood and Bumper Assembly

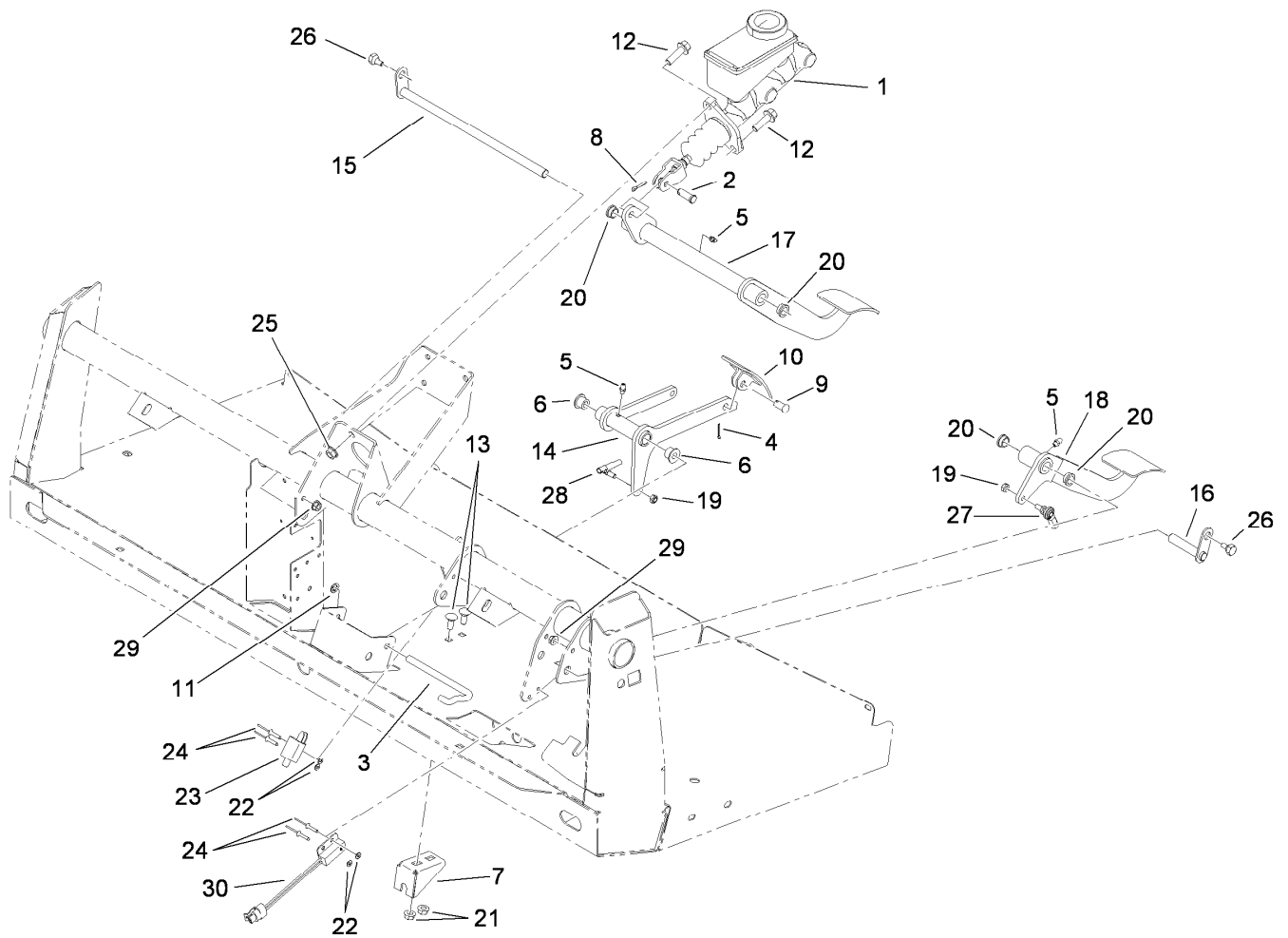
Ref.	Part Number	Qty.	Description
1	112-3183	1	Hood
2	117-4950	1	Decal
3	114-8322	2	Headlight
3:2	115-2395	1	Light Bulb ASM
4	87-2440	2	Bumper-Rubber
5	3290-357	6	Nut-HHF, Whiz
6	26-0071	2	Snubber-Rubber
7	112-3185	1	Bumper
8	114-8270-03	1	Operator Frame ASM
11	3290-379	1	Tie-Cable
17	3234-5	4	Screw-HHF
19	114-8341	6	Clip
20	114-8272-03	1	Bracket-Bumper
21	94-2413	7	U-Nut
22	3231-21	4	Screw-CARR
23	32144-11	4	Screw-HWHTF
24	106-2427-03	1	Cover



## Dash Assembly

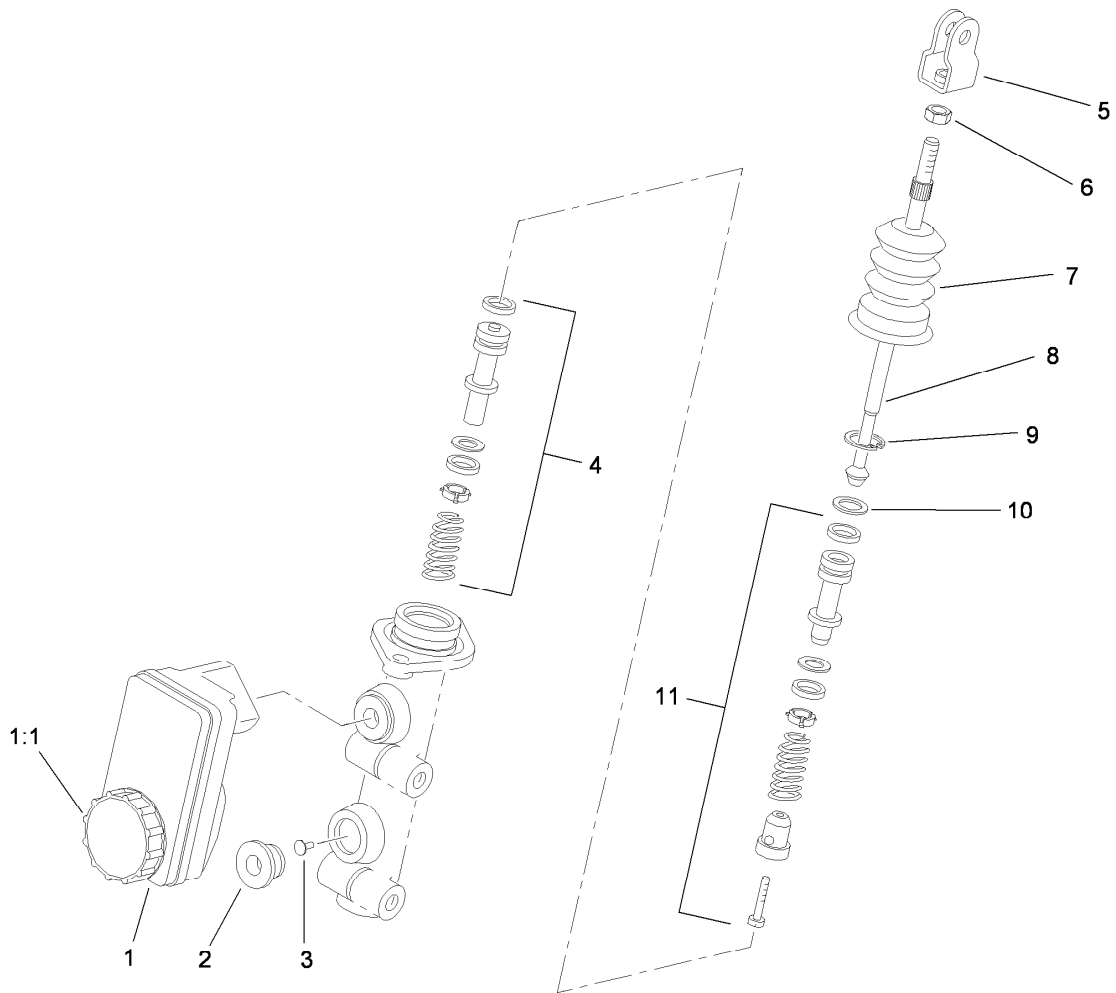
Ref.	Part Number	Qty.	Description	Ref.	Part Number	Qty.	Description
1	114-8284	1	Cluster-Instrument	15	99-7411	1	Point-Power
2	94-5627	1	Plug	16	99-7416	1	Cap
5	32105-13	6	Screw-HWH	19	33103-012	2	Screw-HHF
6	99-7420	3	Plug-Hole	20	104-9368	1	Plug-Dome
7	3290-148	6	Nut-HF	21	115-7912	1	Dash ASM
8	106-5269	1	Ignition Switch ASM	21:2	115-2281	1	Decal-Dash
8:2	108-8660	1	Nut-Mounting	21:3	115-7746	1	Decal-Danger
8:3	106-5270	1	Ignition Key Set	21:4	115-2282	1	Decal-Warning, Dash
8:4	108-8659	1	Washer-Backup	21:5	106-2353	1	Decal-Powerpoint
9	110-2580	1	Switch-Key, Supervisor	21:6	106-2355	1	Decal-Switch, Supervisor
9:1		1	Switch-Key ●	23	117-4948	1	Handle-Grab
9:2	108-8660	1	Nut-Mounting	24	104-7201	2	Nut-HF
9:3	110-5221	1	Set-Key, Supervisor	25	103995	2	Washer
9:4	108-8659	1	Washer-Backup	26	114-8418	7	Screw-HWH, Sems
10	95-8999	1	Switch	27	42862	1	Block-Terminal, Ground
11	117-4998	1	Harness-Wire, Front	28	42863	1	Strip-Jumper
11:1	218-578	5	Fuse-Blade, 10 Amp	29	99-7430	3	Relay
11:2	109355	2	Fuse-Blade, 15 Amp	30	32144-10	2	Screw-HWH
11:4	100-4918	2	Diode	31	83-2280	1	Timer-Delay
12	3234-5	3	Screw-HHF	32	115-7813	1	Decal-Fuse
13	104-8300	3	Nut-Flange, NI	33	3290-379	9	Tie-Cable
14	114-8378	1	Harness-Wire, Rear	34	117-4860	1	Guide-Cable
14:1	100-4918	2	Diode	35	32144-11	1	Screw-HWHTF
14:2	109103	1	Fuse-Blade, 30 Amp	36	3256-71	1	Washer-Flat

● Not serviced separately



## Pedal Assembly

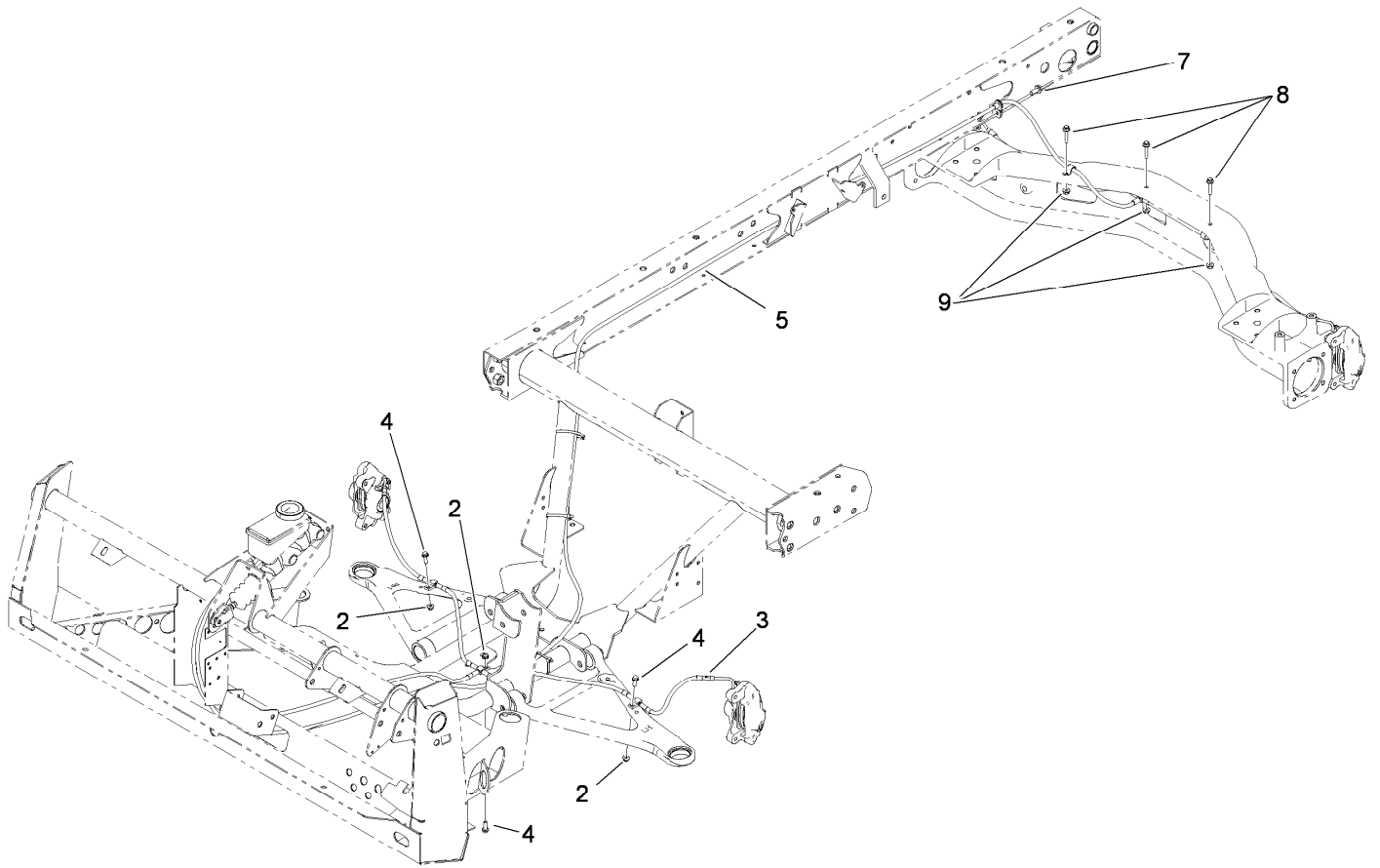
<i>Ref.</i>	<i>Part Number</i>	<i>Qty.</i>	<i>Description</i>	<i>Ref.</i>	<i>Part Number</i>	<i>Qty.</i>	<i>Description</i>
1	104-6782	1	Cylinder-Master	16	115-2269	1	Clutch Pivot Pin ASM
2	283-2	1	Pin-Clevis	17	115-2275-03	1	Brake Pedal ASM
3	87-2880	1	Shaft-Pedal, Accelerator	18	115-2271-03	1	Clutch Pedal ASM
4	3272-6	1	Pin-Cotter	19	3296-13	2	Nut-Lock, NI
5	302-5	3	Fitting-Grease	20	256-156	4	Bushing-Flange
6	256-259	2	Bushing-Flange	21	32128-20	2	Nut-HF
7	106-2421	1	Bracket-Mount, Cable	22	3256-53	4	Washer-Flat
8	3272-10	1	Pin-Cotter	23	95-1653	1	Switch-Pole, Single
9	283-85	1	Pin-Clevis	24	3269-25	4	Rivet-Pop
10	93-8969-03	1	Pedal	25	3290-357	2	Nut-HHF, Whiz
11	32151-56	1	Ring-Retaining, External	26	63-3410	2	Screw-Shoulder
12	3234-11	2	Screw-HHF	27	110-2554	1	Rod End-Spherical
13	3230-1	2	Bolt-CARR	28	18-1720	1	Governor Ball Joint ASM
14	106-2471-03	1	Arm-Pedal, Accelerator	29	32128-33	2	Nut-HF
15	106-2475	1	Brake Shaft ASM	30	105-0023	1	Switch-Proximity



## Master Cylinder Assembly No. 104-6782

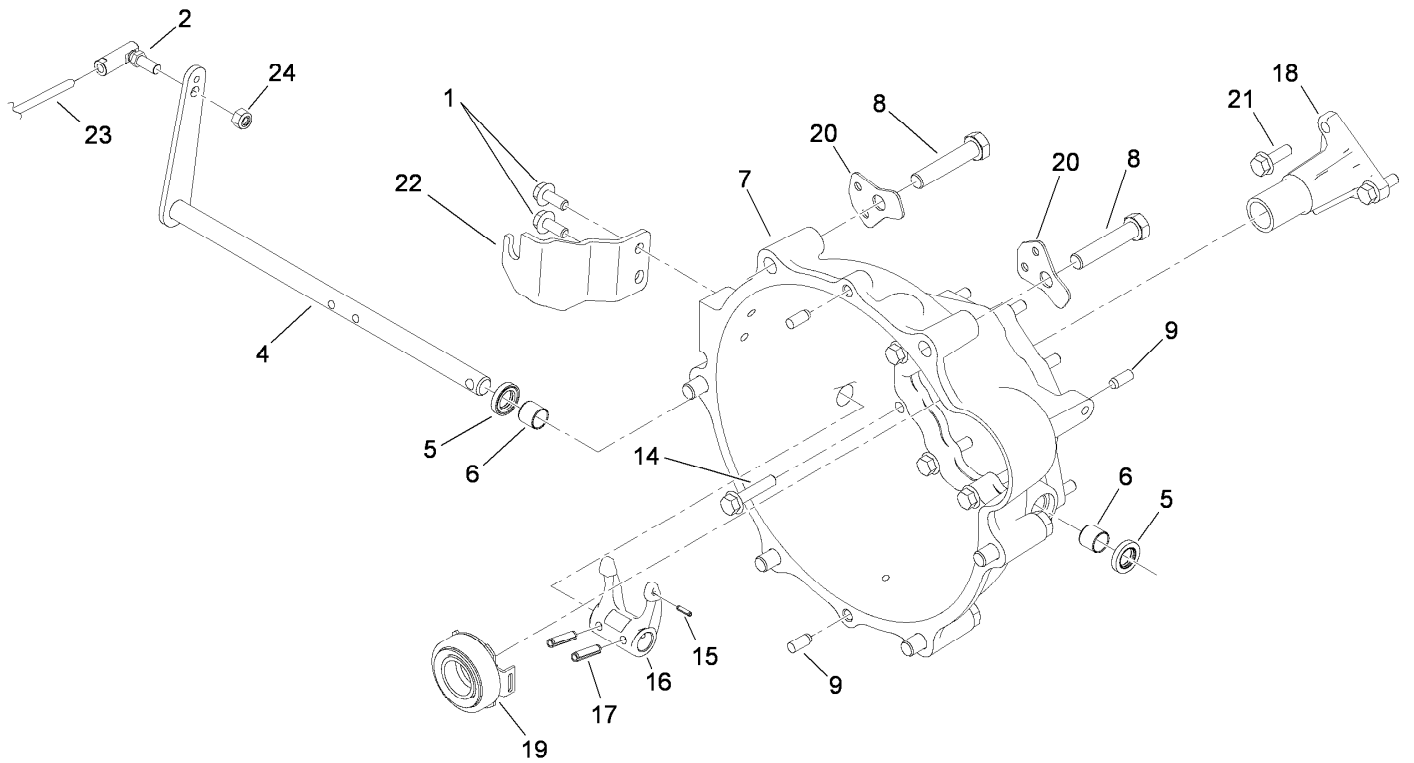
<i>Ref.</i>	<i>Part Number</i>	<i>Qty.</i>	<i>Description</i>
1	104-6845	1	Reservoir ASM
1:1	92-4112	1	Cap ASM
2	93-8971	2	Seal-Port, Flange
3	92-4103	1	Pin-Stop
4	92-4102	1	Secondary Piston ASM
5	92-4110	1	Clevis
6	21-0360	1	Nut-Hex
7	94-5209	1	Cover-Dust
8	94-5210	1	Rod-Push
9	92-4109	1	Ring-Snap
10	92-4108	1	Retainer-Washer
11	92-4101	1	Primary Piston ASM





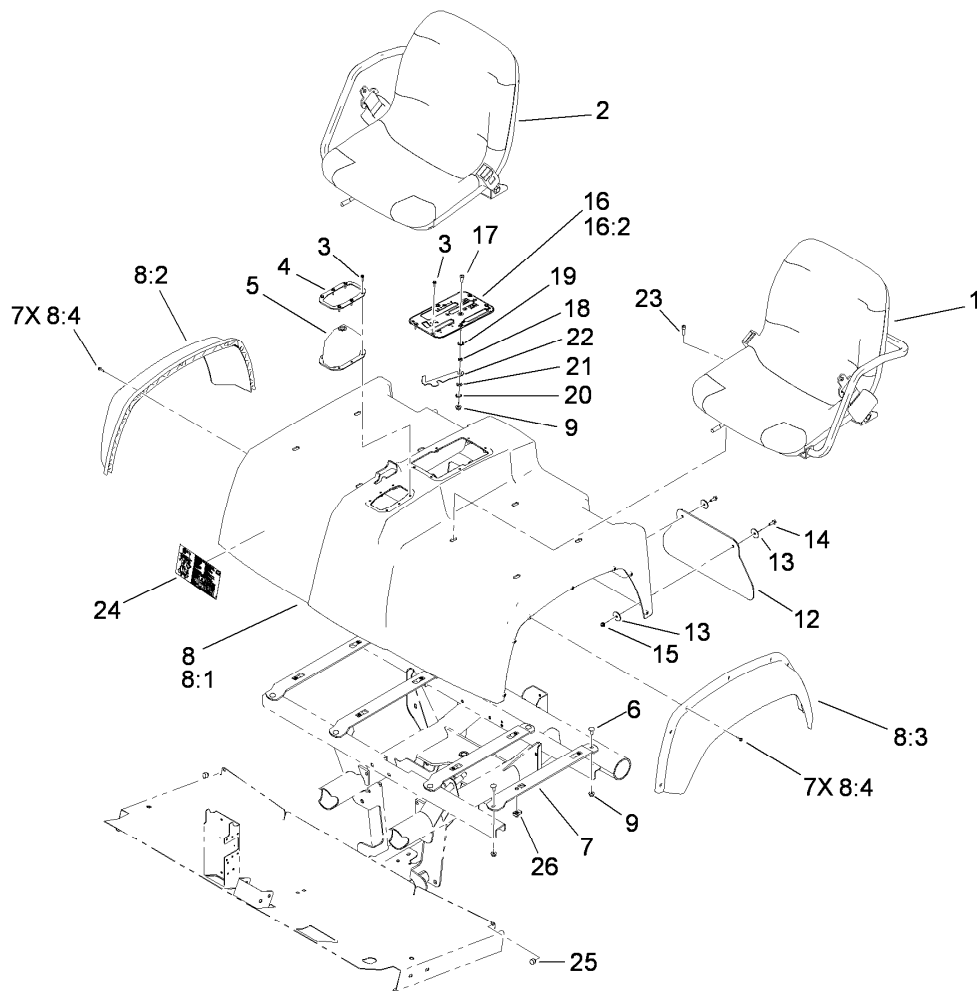
## Hydraulic Brake Line Assembly

<i>Ref.</i>	<i>Part Number</i>	<i>Qty.</i>	<i>Description</i>
2	104-7201	3	Nut-HF
3	115-2263	1	Line-Brake, Front
4	321-6	3	Screw-HH
5	115-2264	1	Line-Brake, Rear
7	32144-11	1	Screw-HWHTF
8	3234-21	3	Screw-HHF
9	32128-33	3	Nut-HF



## Clutch Linkage Assembly

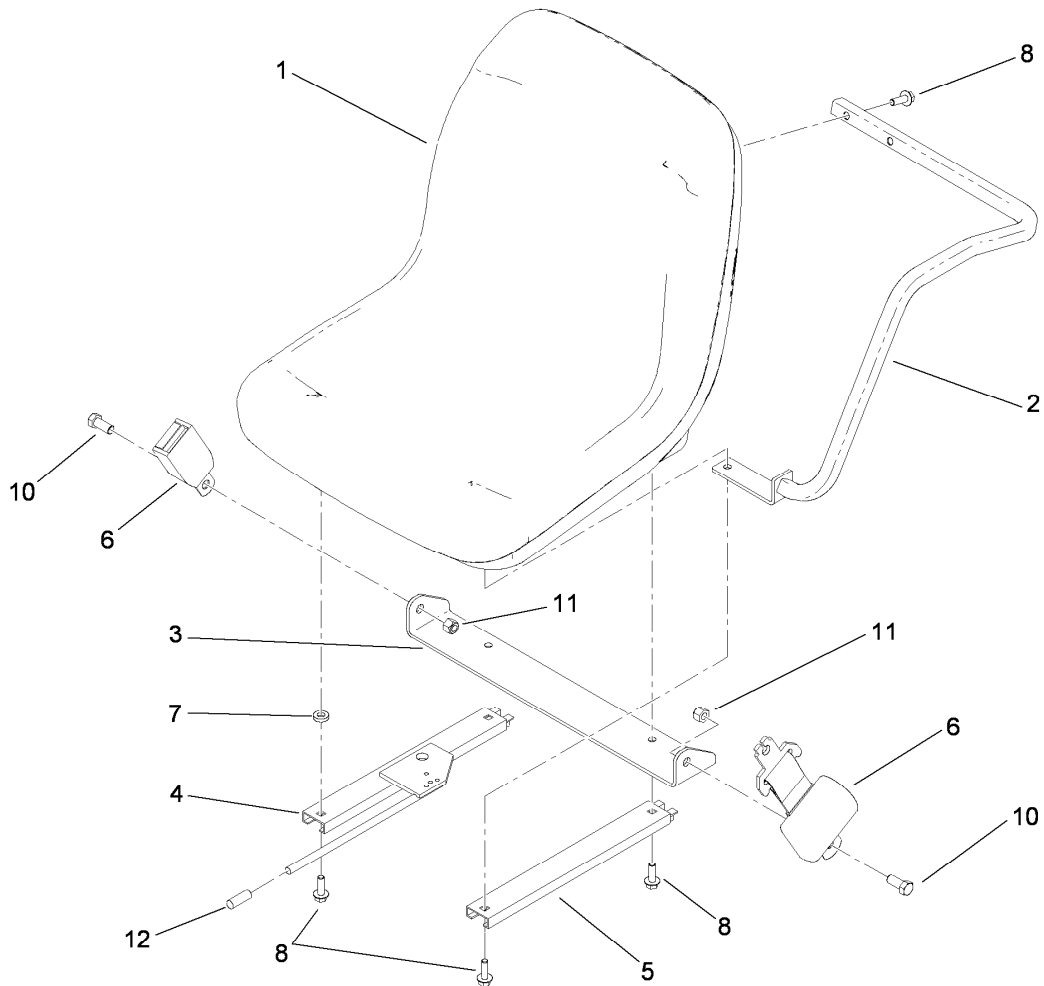
<i>Ref.</i>	<i>Part Number</i>	<i>Qty.</i>	<i>Description</i>
1	98-7977	2	Screw-HHF
2	2411-33	1	Balljoint-RH (W/Grommet)
4	115-2311	1	Clutch Lever ASM
5	87-1920	2	Seal-Oil
6	87-3770	2	Bushing-Housing, Bell
7	104-9249	1	Housing-Bell
8	3215-2	6	Screw-HH
9	87-1910	4	Pin-Dowel
14	33104-040	9	Screw-HHF
15	32121-7	1	Pin-Roll, Slotted
16	87-5300	1	Fork-Clutch
17	32121-24	2	Pin-Spring
18	115-2259	1	Guide-Release
19	110-2538	1	Bearing-Release, Clutch
20	115-2247	2	Bracket-Harness
21	33104-025	3	Screw-HHF
22	115-2313	1	Bracket-Cable, Clutch
23	115-2284	1	Cable-Clutch
24	3296-4	1	Nut-Lock



## Shroud and Seat Assembly

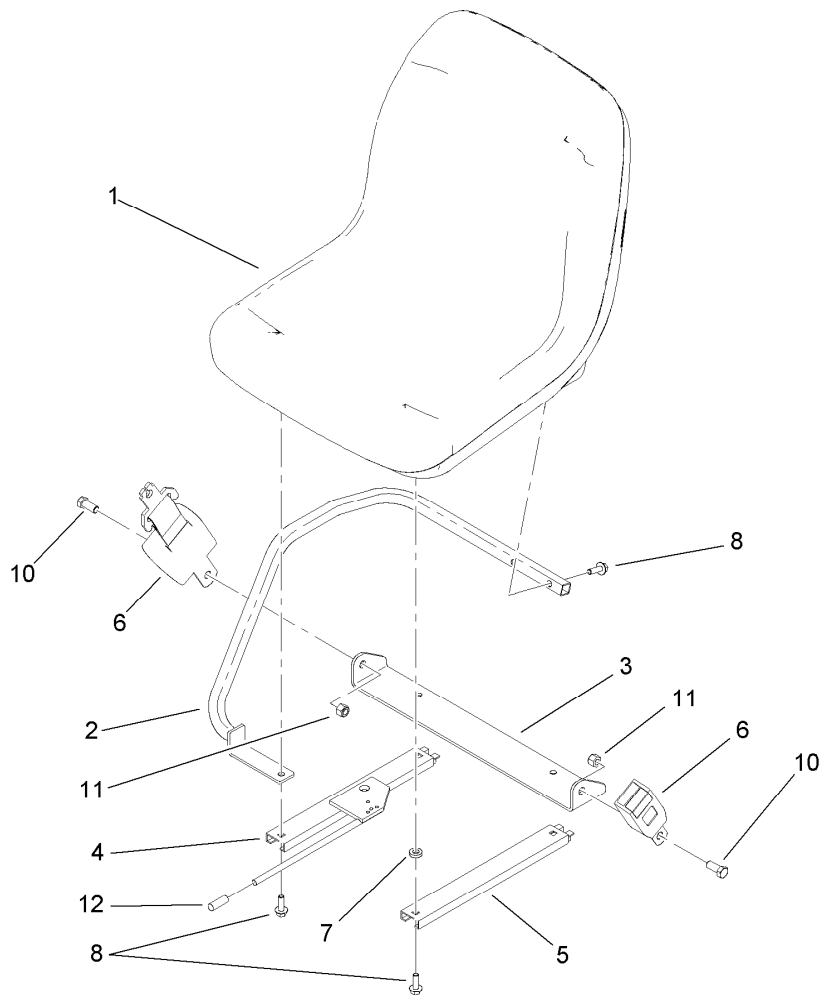
Ref.	Part Number	Qty.	Description	Ref.	Part Number	Qty.	Description
1		1	LH Seat ASM ●	14	3234-4	4	Screw-HHF
2		1	RH Seat ASM ●	15	104-7201	4	Nut-HF
3	117-5036	12	Screw-HWH	16	106-7886	1	Control Plate ASM
4	87-3760-03	1	Plate-Boot, Shift	16:2	106-2377	1	Decal-Console
5	87-8620	1	Shift Boot ASM	17	3274-55	1	Screw-HSBH
6	3230-1	8	Bolt-CARR	18	82-4240	1	Spacer-Bearing
7	115-2435-03	4	Bracket-Seat	19	94-8196	1	Washer-Nylon
8		1	Seat Base ASM ●	20	3290-221	1	Washer-Spring
8:1	114-8406	1	Base-Seat	21	3256-23	1	Washer-Flat
8:2	114-8407	1	Fender-Front, RH	22	106-7984	1	Lever-Detent
8:3	114-8408	1	Fender-Front, LH	23	3274-22	8	Screw-HSH
8:4	117-5036	14	Screw-HWH	24	115-7814	1	Decal-Reference, Quick
9	104-8300	9	Nut-Flange, NI	25	107-8042	2	Bumper-Rubber
12	106-2378	2	Mudflap	26	115-7721	8	Nut-Clip, U
13	3256-55	8	Washer-Flat				

● Not serviced separately



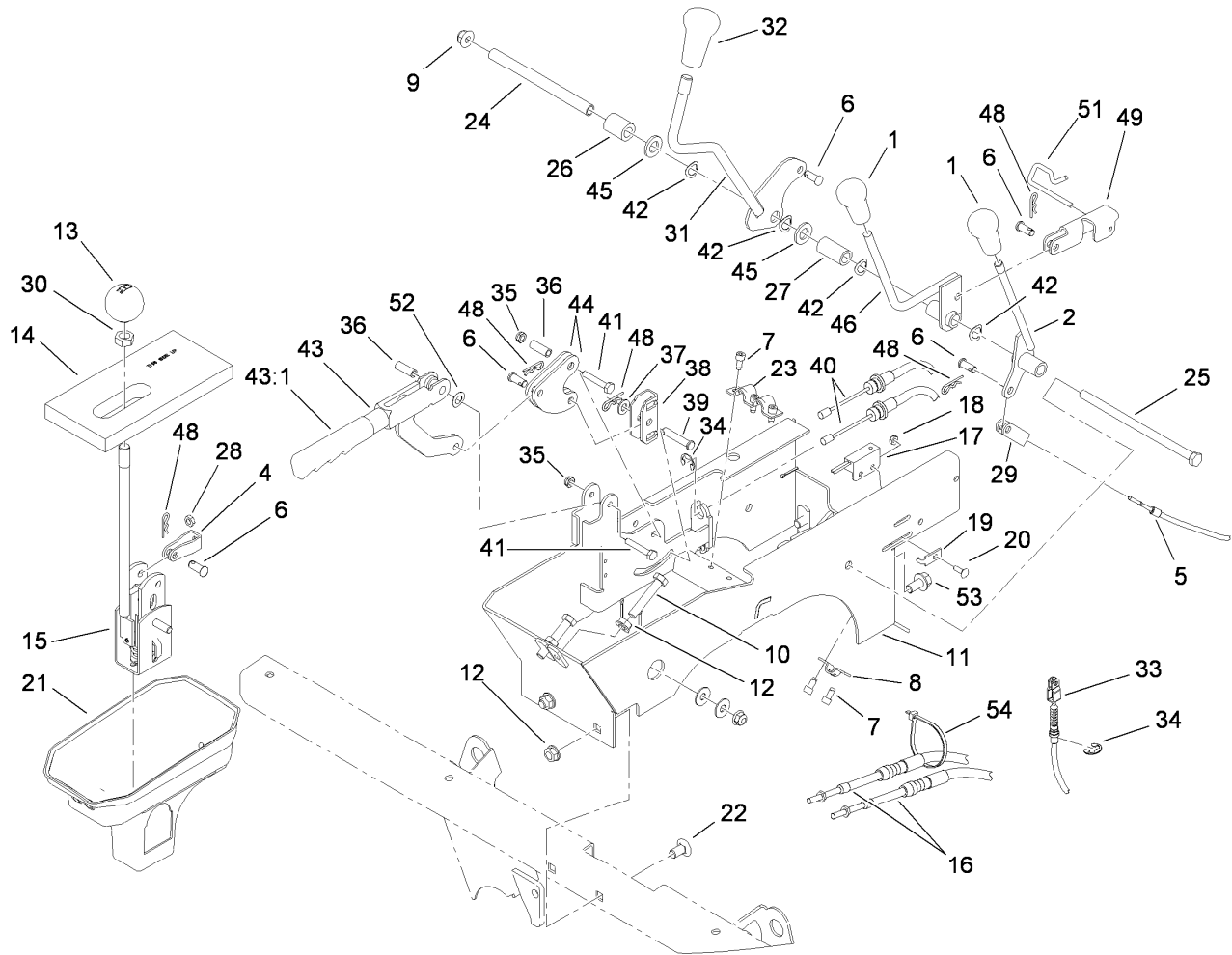
## LH Seat Assembly

<i>Ref.</i>	<i>Part Number</i>	<i>Qty.</i>	<i>Description</i>
1	112-2923	1	Seat ASM
2	106-7842	1	LH Armrest ASM
3	106-7845	1	Bracket-Belt, Seat
4	106-7847	1	Adjuster-Seat, W/Handle
5	107-7959	1	Adjuster-Slave, 7 Inch
6	106-7848	1	Seat Belt ASM
7	80-7730	1	Spacer
8	3234-29	6	Screw-HHF
10	3212-4	2	Screw-HH
11	3296-7	2	Nut-Lock
12	106-7953	1	Grip-Gray



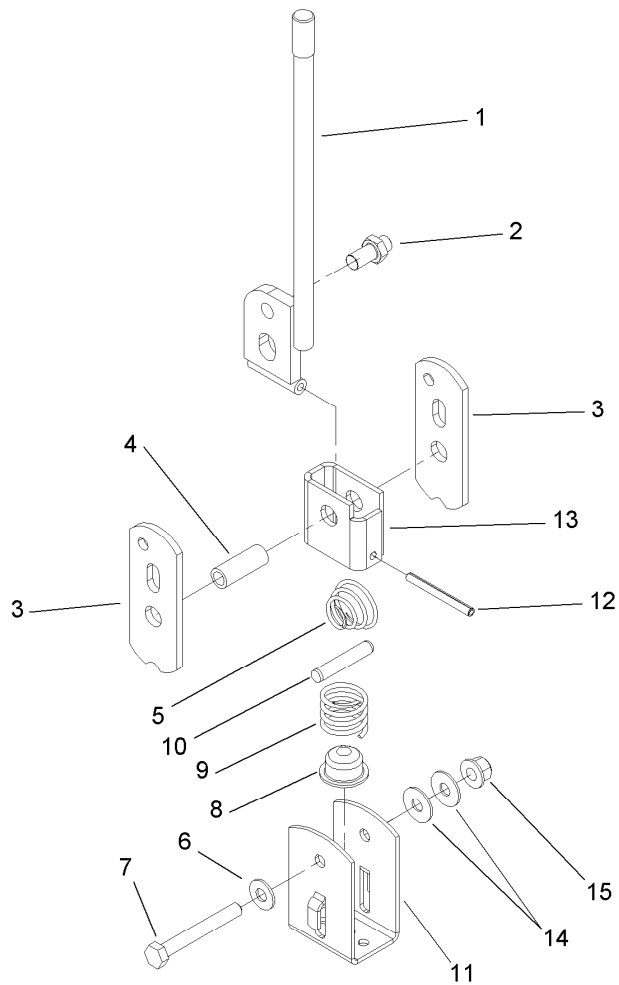
## RH Seat Assembly

<i>Ref.</i>	<i>Part Number</i>	<i>Qty.</i>	<i>Description</i>
1	112-2923	1	Seat ASM
2	106-7844	1	RH Armrest ASM
3	106-7845	1	Bracket-Belt, Seat
4	106-7847	1	Adjuster-Seat, W/Handle
5	107-7959	1	Adjuster-Slave, 7 Inch
6	106-7848	1	Seat Belt ASM
7	80-7730	1	Spacer
8	3234-29	6	Screw-HHF
10	3212-4	2	Screw-HH
11	3296-7	2	Nut-Lock
12	106-7953	2	Grip-Gray



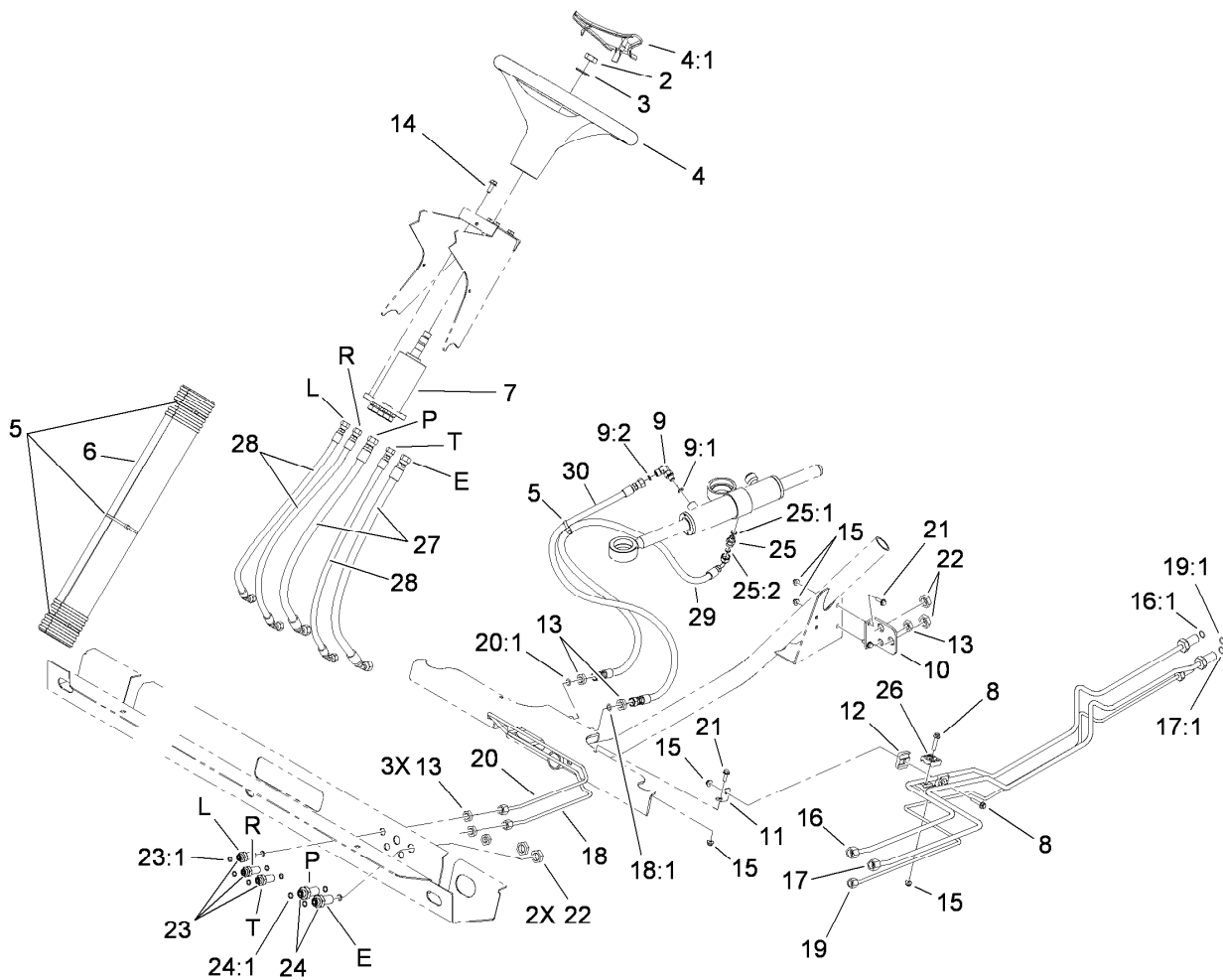
## Console Assembly

Ref.	Part Number	Qty.	Description	Ref.	Part Number	Qty.	Description
1	106-7903	2	Knob-Control	28	3220-1	2	Nut-Jam
2	106-7828	1	Lever ASM	29	87-7160	1	Cable Clevis ASM
4	87-2310	2	Clevis-Cable	30	3218-18	1	Nut-Jam
5	115-7812	1	Cable-Hi Low	31	112-3008	1	Differential Lock Lever ASM
6	283-62	6	Pin-Clevis	32	106-7952	1	Knob
7	65-5220	5	Screw-HSH, Thread Forming	33	115-2287	1	Cable-Lock, Differential
8	87-4340	1	Clamp-Cable	34	32120-47	3	Ring-Retaining, External
9	104-8301	1	Nut-Flange, NI	35	3296-56	2	Nut-Lock, NI
10	323-10	2	Screw-HH	36	114402	2	Spacer
11	108-6914-03	1	Lever Support ASM	37	3256-23	1	Washer-Flat
12	3290-357	4	Nut-HHF, Whiz	38	87-3480	1	Bracket-Equalizer, Cable
13	87-6720	1	Knob-Shift	39	94-3829	1	Pin-Clevis
14	87-6570	1	Seal-Boot, Lower	40	115-2283	2	Cable-Brake, Park
15	106-7887	1	Shift ASM	41	321-9	2	Screw-HH
16	115-7811	2	Cable-Selector, Gear	42	3290-221	4	Washer-Spring
17	100-1270	1	Switch-Proximity	43	104-6842	1	Lever-Brake, Park
18	3296-12	1	Nut-Lock, NI	43:1	106-7972	1	Grip-Handle
19	100-4872	1	Plate-Switch, Neutral	44	106-7814	2	Bellcrank
20	3229-34	1	Screw-CARR	45	33096-00	2	Washer-Flat
21	106-2376	1	Boot-Shift, Lower	46	106-7960	1	HYD Lever ASM
22	3231-21	2	Screw-CARR	48	3290-307	7	Pin-Hair
23	87-4960	1	Clamp-Cable	49	115-2250	1	Link
24	106-7833	1	Spacer	51	115-2350	1	Pin-Retainer
25	323-36	1	Screw-HH	52	3290-477	1	Washer-Curved
26	66-6501	1	Spacer-Wheel	53	3234-12	2	Screw-HHF
27	106-7835	1	Spacer	54	3290-379	3	Tie-Cable



## Shift Assembly No. 106-7887

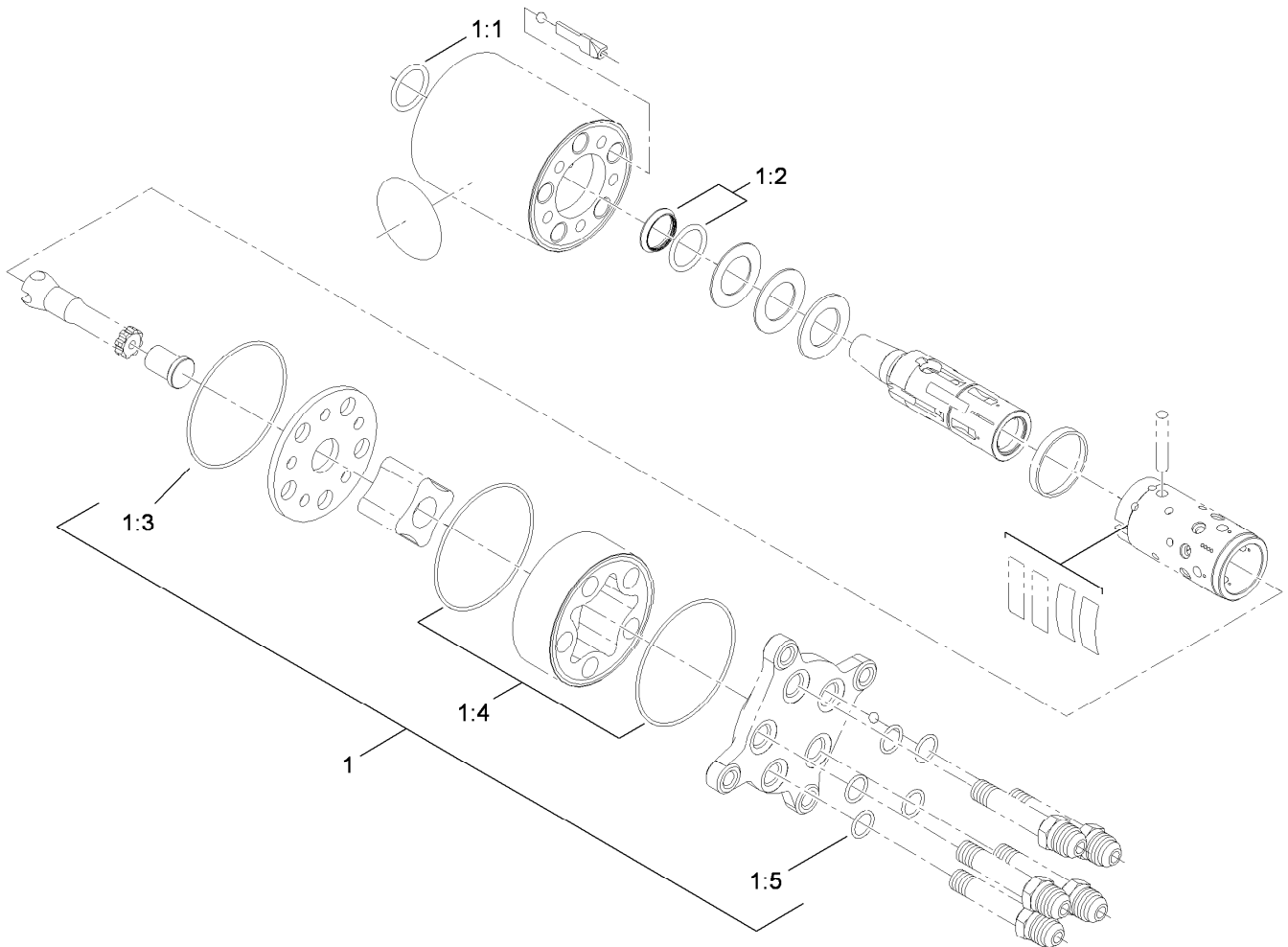
<i>Ref.</i>	<i>Part Number</i>	<i>Qty.</i>	<i>Description</i>
1	87-2040	1	Shift Lever ASM
2	87-3650	1	Pin-Shift
3	87-3540	2	Link-Shift
4	87-2520	1	Tube-Pivot
5	87-2900	1	Spring-Compression
6	87-8640	1	Washer-Flat
7	322-12	1	Screw-HH
8	87-3530	1	Button-Shifter
9	87-3660	1	Spring-Compression
10	3290-507	1	Pin-Dowel
11	87-3520	1	Clevis
12	32121-48	1	Pin-Spring
13	87-6040	1	Bracket-Shifter
14	3290-456	2	Washer-Belleville
15	104-8300	1	Nut-Flange, NI



## Steering Hydraulic Assembly

Ref.	Part Number	Qty.	Description	Ref.	Part Number	Qty.	Description
2	3296-33	1	Nut-Lock, NI	18	106-7804	1	Tube-HYD
3	3256-27	1	Washer-Flat	18:1	237-21	1	O-Ring
4	98-1471	1	Wheel-Steering	19	115-7703	1	Tube-HYD
4:1	98-1468	1	Cover-Wheel, Steering	19:1	237-21	1	O-Ring
5	3290-379	4	Tie-Cable	20	106-7806	1	Tube-HYD
6	106-6713	1	Cover-Lines, Steering	20:1	237-21	1	O-Ring
7	115-7926	1	Pump-Steering	21	3234-4	3	Screw-HHF
8	3234-21	2	Screw-HHF	22	340-70	4	Nut-Lock
9	340-132	1	Fitting-HYD, 90 DEG	23	94-1444	3	Union-Bulkhead
9:1	237-78	1	O-Ring	23:1	237-21	2	O-Ring
9:2	237-21	1	O-Ring	24	340-71	2	Fitting-Straight, Bulkhead
10	106-7801-03	1	Bracket-Line, Steering	24:1	237-22	2	O-Ring
11	106-7807	1	Bracket-Line, Steering	25	340-92	1	Fitting-HYD, Straight
12	106-7839	2	Clamp-Tube	25:1	237-78	1	O-Ring
13	340-78	6	Nut-Lock, Bulkhead	25:2	237-21	1	O-Ring
14	98-7977	4	Screw-HHF	26	56-7973	2	Clamp-Tube
15	104-7201	5	Nut-HF	27	106-7975	2	Hose-HYD
16	115-7701	1	Tube-HYD	28	106-7974	3	Hose-HYD
16:1	237-22	1	O-Ring	29	117-4861	1	Hose-HYD
17	115-7702	1	Tube-HYD	30	108-6505	1	Hose ASM
17:1	237-22	1	O-Ring				

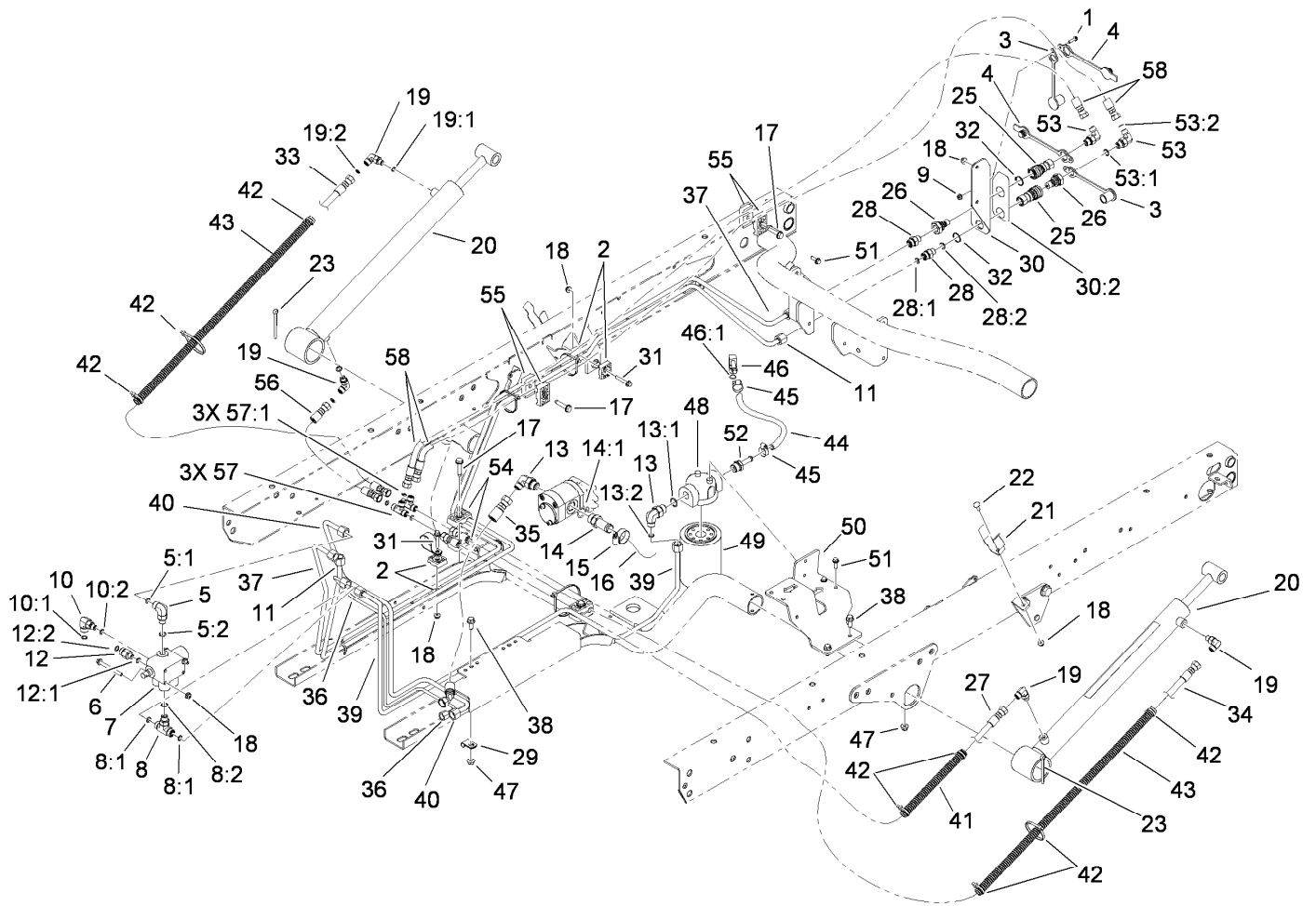




## Steering Valve Assembly No. 115-7926

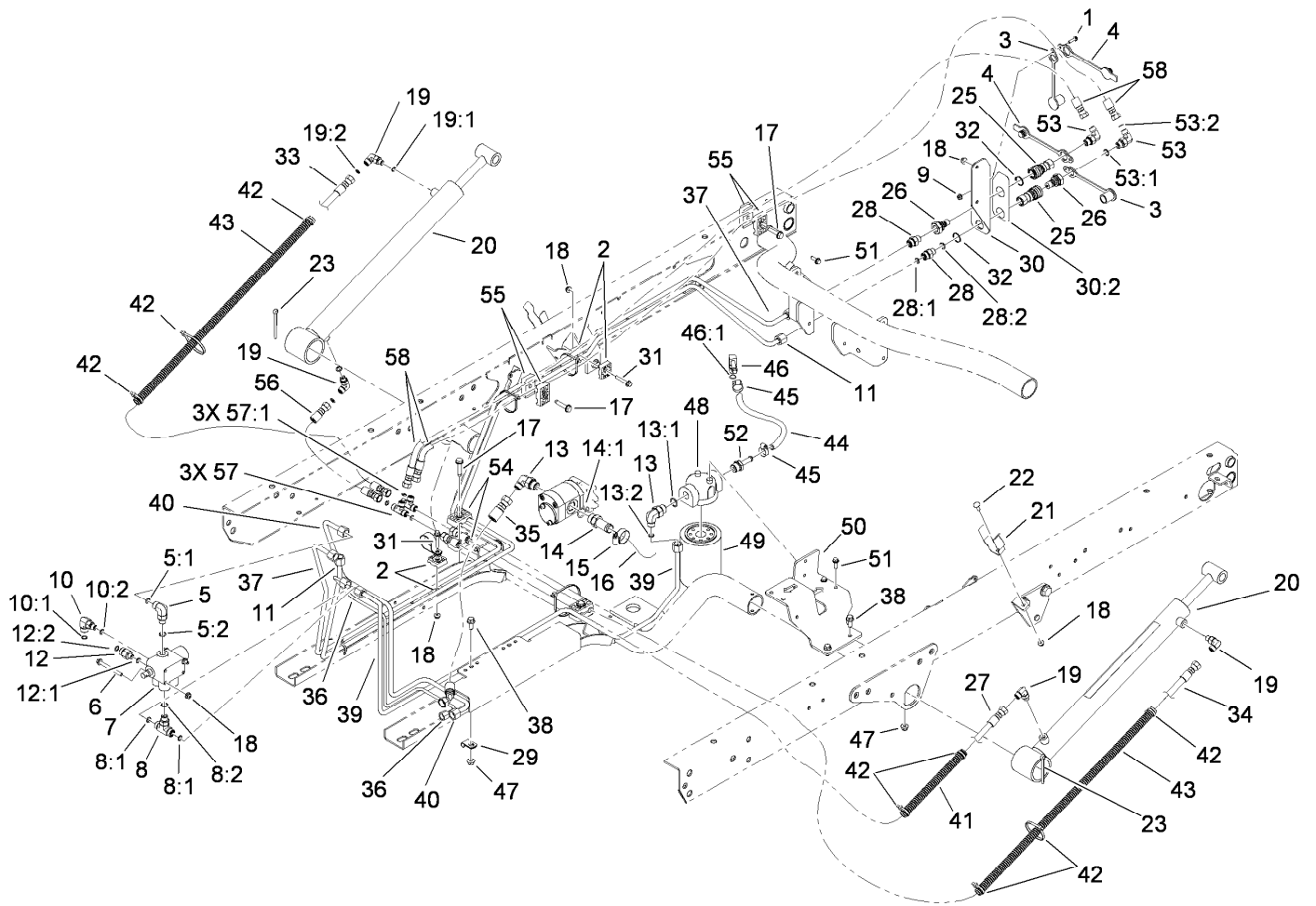
<i>Ref.</i>	<i>Part Number</i>	<i>Qty.</i>	<i>Description</i>
1	106-6716	1	Seal Kit
1:1		1	Ring-Seal, Dust ●
1:2		1	Seal-Shaft ●
1:3		1	Ring-Retaining ●
1:4		2	Ring-Retaining ●
1:5		5	Ring-Retaining ●

● Not serviced separately



## Lift Valve and Hydraulic Assembly

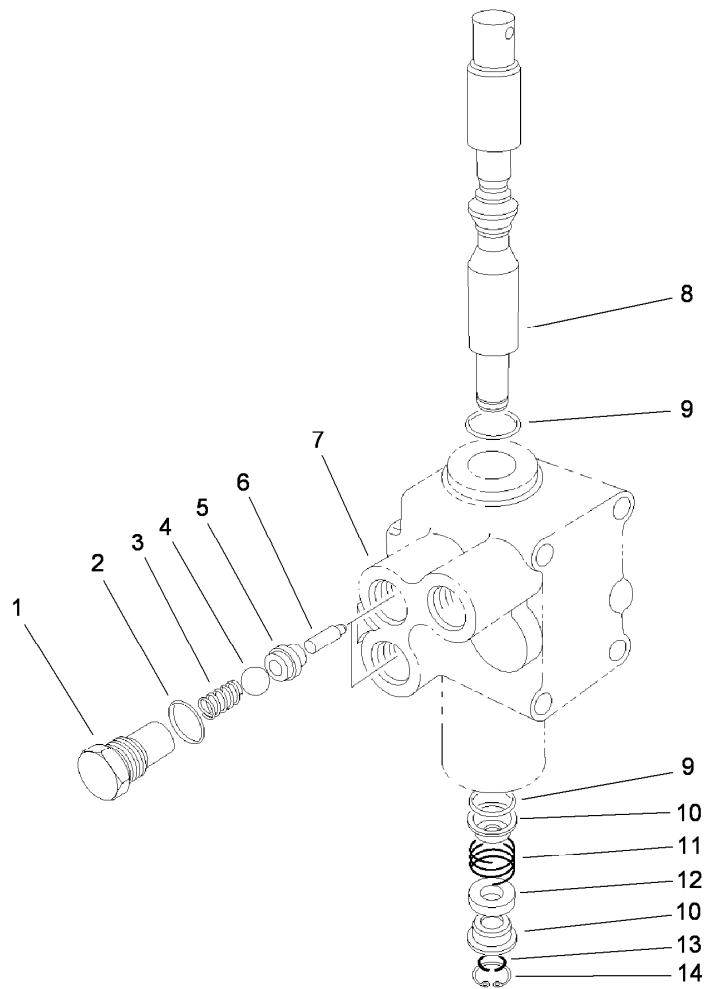
Ref.	Part Number	Qty.	Description	Ref.	Part Number	Qty.	Description
1	32105-13	1	Screw-HWH	17	32144-57	4	Screw
2	56-7973	4	Clamp-Tube	18	104-7201	8	Nut-HF
3	106-7881	2	Cap-Dust, HYD	19	340-132	4	Fitting-HYD, 90 DEG
4	106-7882	2	Plug-Dust, HYD	19:1	237-78	1	O-Ring
5	340-77	1	Fitting-HYD, 90 DEG	19:2	237-21	1	O-Ring
5:1	237-22	1	O-Ring	20	106-7939	2	HYD Cylinder ASM
5:2	237-42	1	O-Ring	21	108-3109	2	Retainer-Cylinder
6	114-8410	2	Screw-HHF	22	3229-1	2	Screw-CARR
7	43-1950	1	Valve-Control, HYD	23	3272-37	2	Pin-Cotter
8	340-94	1	Adapter	25	106-7968	2	Coupler-Quick, Female
8:1	237-22	2	O-Ring	26	106-7969	2	Coupler-Quick, Male
8:2	237-42	1	O-Ring	27	115-7711	1	HYD Hose ASM
9	3290-148	1	Nut-HF	28	340-2	2	Fitting-HYD, Straight
10	340-97	1	Fitting-HYD, 90 DEG	28:1	237-22	1	O-Ring
10:1	237-22	1	O-Ring	28:2	237-42	1	O-Ring
10:2	237-78	1	O-Ring	29	2412-113	1	Clamp
11	115-2218	1	Tube-HYD	30	115-7715	1	Coupler Bracket ASM
12	340-88	1	Adapter	30:2	115-7723	1	Decal-Disconnect, Quick
12:1	237-22	1	O-Ring	31	94-5781	2	Screw-HHF
12:2	237-78	1	O-Ring	32	32151-83	2	Ring-Snap
13	340-18	2	Fitting-HYD, 90 DEG	33	108-6508	1	HYD Hose ASM
13:1	237-79	1	O-Ring	34	104-3716	1	HYD Hose ASM
13:2	237-22	1	O-Ring	35	95-0965	1	Hose ASM
14	354-136	1	Fitting-HYD	36	115-2216	1	Tube-HYD
14:1	237-80	1	O-Ring	37	115-2217	1	Tube-HYD
15	2412-129	1	Clamp-Hose	38	3234-47	3	Screw-HHF
16	87-3670	1	Hose-Suction	39	115-2224	1	Tube-HYD



## Lift Valve and Hydraulic Assembly (continued)

<i>Ref.</i>	<i>Part Number</i>	<i>Qty.</i>	<i>Description</i>
40	115-2223	1	Tube-HYD
41	24-7922	1	Conduit-Convolved, Split
42	3290-379	8	Tie-Cable
43	24-7923	2	Conduit-Convolved, Split
44	115-2228	1	HYD Hose ASM
45	2412-36	2	Clamp-Hose
46	100-4887	1	Fitting-Barbed, 90 DEG
46:1	237-42	1	O-Ring
47	104-8300	3	Nut-Flange, NI
48	87-8780	1	Head-Filter
49	54-0110	1	Filter-Oil, Transmission
50	115-2168-03	1	Bracket-Filter

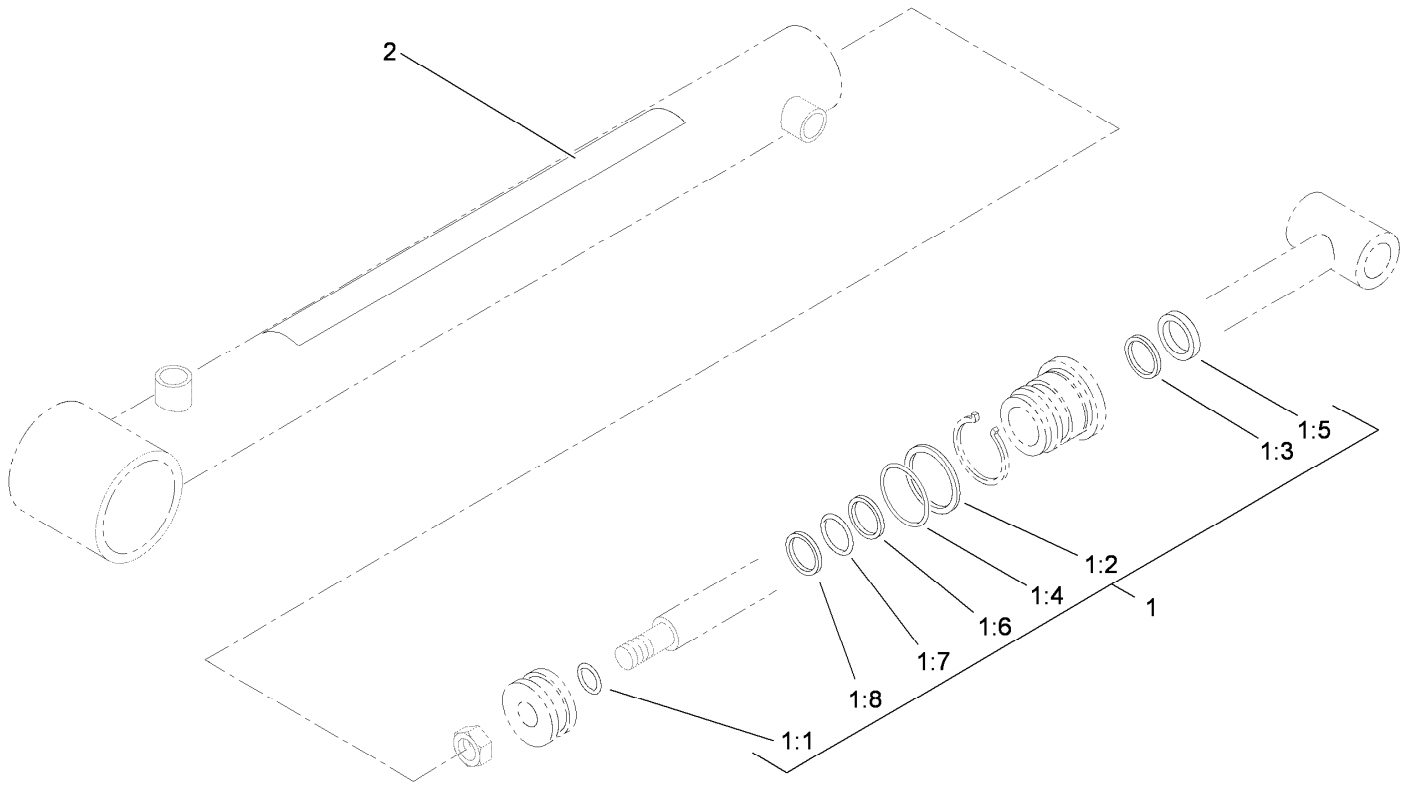
<i>Ref.</i>	<i>Part Number</i>	<i>Qty.</i>	<i>Description</i>
51	3234-4	4	Screw-HHF
52	115-2231	1	Fitting-Straight
53	340-82	2	Adapter
53:1	237-42	1	O-Ring
53:2	237-21	1	O-Ring
54	56-7971	2	Clamp-Tube
55	56-7976	6	Clamp-Tube
56	110-0931	1	Hose ASM
57	340-21	2	Fitting
57:1	237-21	3	O-Ring
58	106-3680	2	HYD Hose ASM



## Control Valve Assembly No. 43-1950

<i>Ref.</i>	<i>Part Number</i>	<i>Qty.</i>	<i>Description</i>
1	22-8330	2	Plug
2	237-42	2	O-Ring
3	22-8340	2	Spring
4	22-8350	2	Ball
5	22-8370	2	Seat-Valve
6	22-8360	2	Pin
7		1	Body ●
8	22-8420	1	Spool
9	22-8500	2	O-Ring
10	22-8380	2	Retainer
11	22-8410	1	Spring
12	23-3030	1	Spacer
13	22-8480	1	Ring-Snap
14	22-8490	1	Ring-Snap

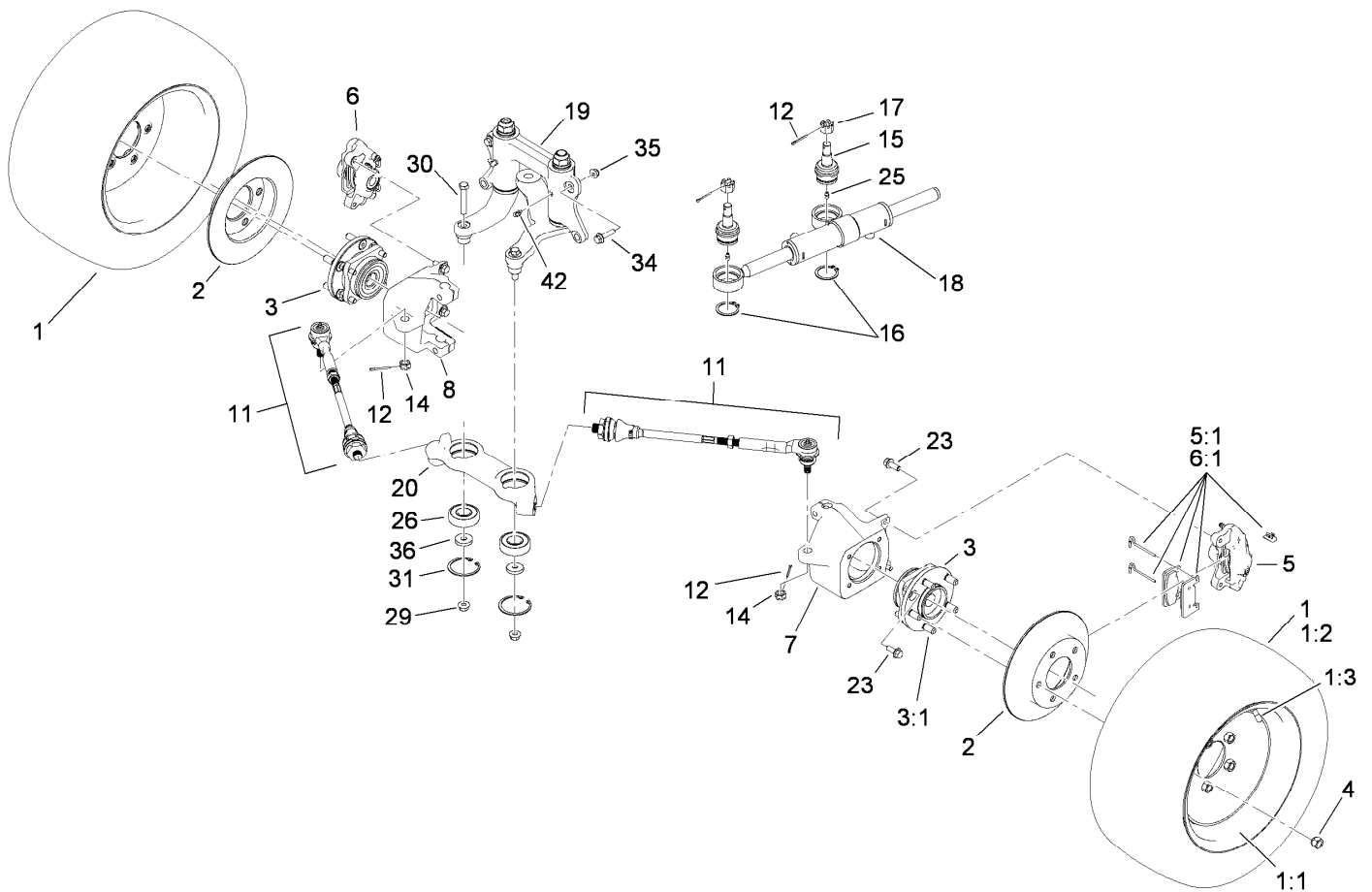
● Not serviced separately



## Hydraulic Cylinder Assembly No. 106-7939

<i>Ref.</i>	<i>Part Number</i>	<i>Qty.</i>	<i>Description</i>
1	106-7941	1	Seal Kit
1:1		1	Ring-Retaining ●
1:2		1	Ring-Retaining ●
1:3		1	Seal ●
1:4		1	Back-Up ●
1:5		1	Wiper ●
1:6		1	Seal ●
1:7		1	Ring-Retaining ●
1:8		1	Ring-Wear ●
2	93-9852	1	Decal-Warning

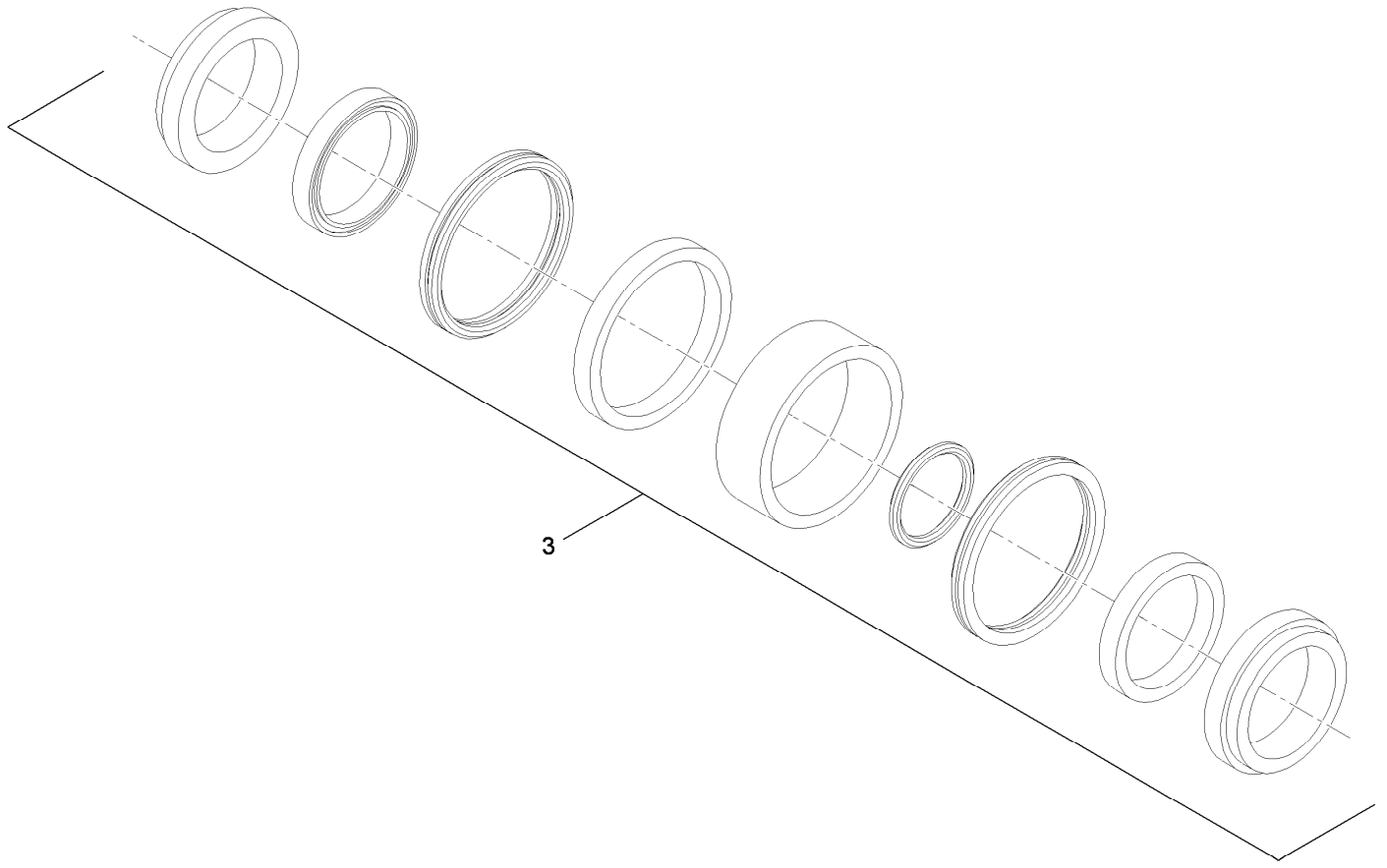
● Not serviced separately



## Front Wheel Assembly

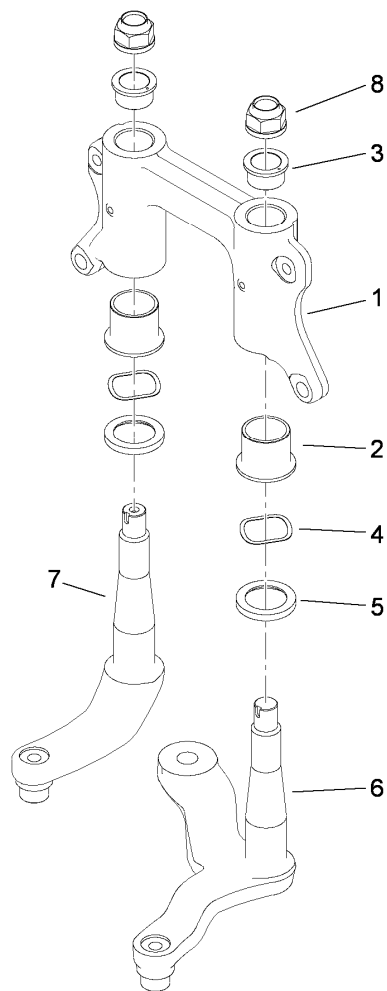
Ref.	Part Number	Qty.	Description	Ref.	Part Number	Qty.	Description
1		2	Tire And Wheel ASM ●	15	106-6774	2	Joint-Ball
1:1	115-2245	1	Wheel	16	32151-104	2	Ring-Retaining, External
1:2	114-8273	1	Tire	17	32136-14	2	Nut-SHH
1:3	232-27	1	Stem-Valve	18	114-8349	1	Cylinder-HYD
2	114-8351	2	Rotor-Brake	19		1	Steering Linkage ASM ●
3	112-3214	2	Wheel Hub ASM	20	114-8296	1	Link-Center
3:1	114-8299	5	Stud-Wheel	23	3234-11	12	Screw-HHF
4	242-50	10	Nut-Lug	25	302-5	2	Fitting-Grease
5	114-8359	1	Caliper-LH	26	115-2161	2	Bearing-Ball
5:1	115-7846	1	Brake Pad Kit (T108)	29	114-8417	2	Nut-HF, NI
6	114-8360	1	Caliper-RH	30	324-10	2	Screw-HH
6:1	115-7846	1	Brake Pad Kit (T108)	31	32120-22	2	Ring-Snap, Internal
7	114-8292	1	Knuckle-LH	34	114-4681	2	Screw-HHF
8	114-8294	1	Knuckle-RH	35	104-8301	2	Nut-Flange, NI
11	114-8356	2	Tie Rod ASM	36	112843	2	Washer
12	3272-12	4	Pin-Cotter	42	302-60	2	Fitting-Grease
14	32136-3	2	Nut-SHH				

● Not serviced separately



## Hydraulic Cylinder Assembly No. 114-8349

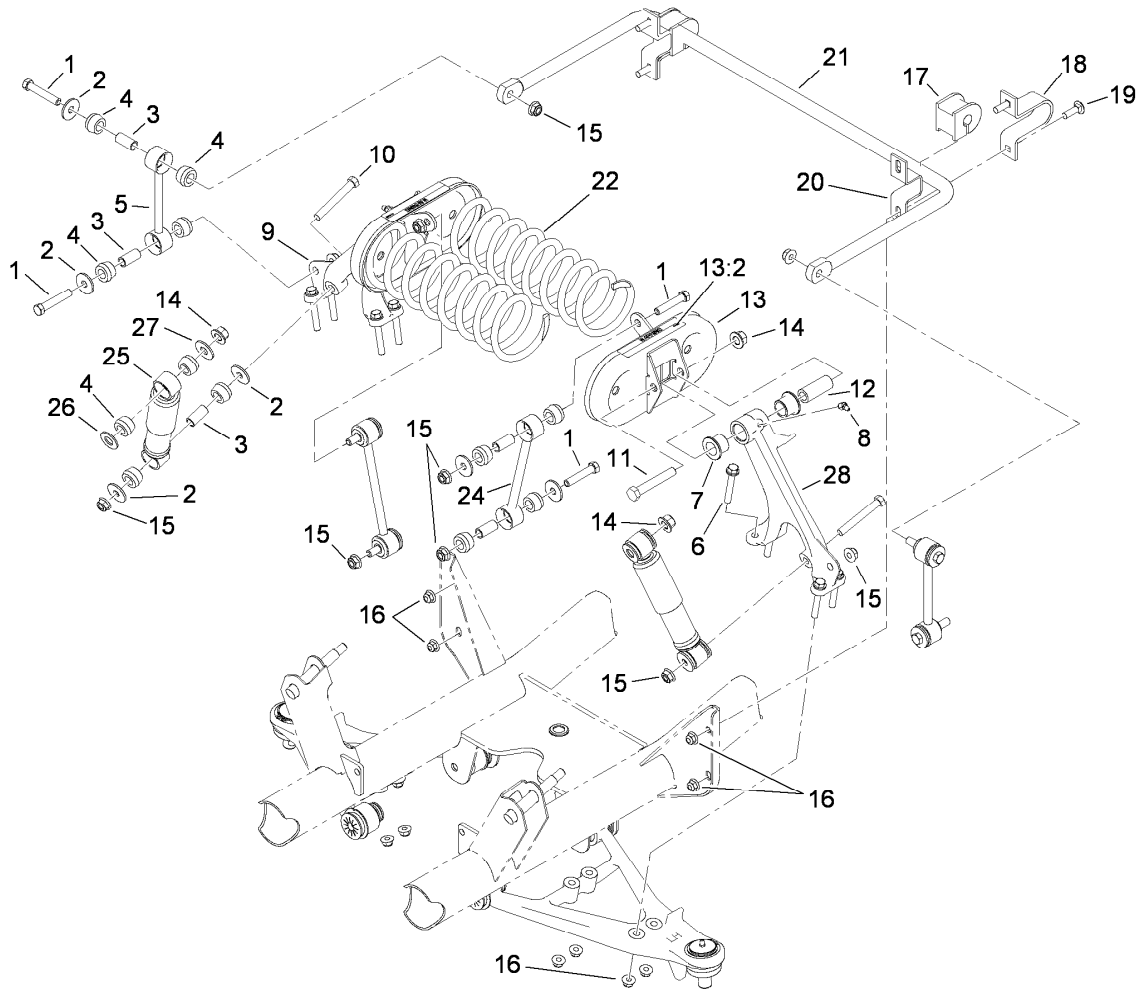
<i>Ref.</i>	<i>Part Number</i>	<i>Qty.</i>	<i>Description</i>
3	115-2160	1	Cylinder Repair Kit



## Steering Linkage Assembly

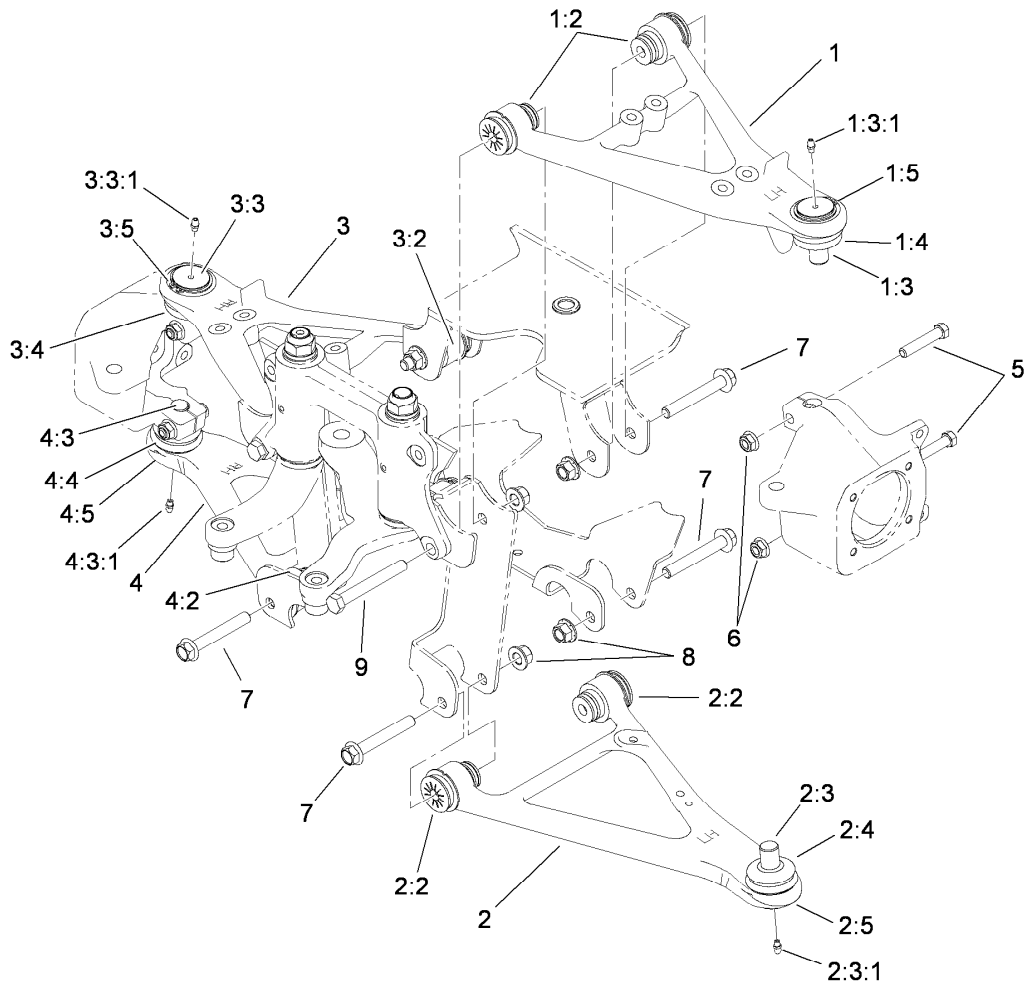
<i>Ref.</i>	<i>Part Number</i>	<i>Qty.</i>	<i>Description</i>
1	114-8389	1	Mount-Pivot
2	69-6470	2	Bushing-Castor
3	112-1626	2	Bushing-Flange
4	93-4632	2	Washer-Wavey
5	86-6560	2	Washer-Thrust
6	114-8256	1	Arm-Pitman
7	114-8298	1	Arm-Idler
8	115-2164	2	Nut-Spindle





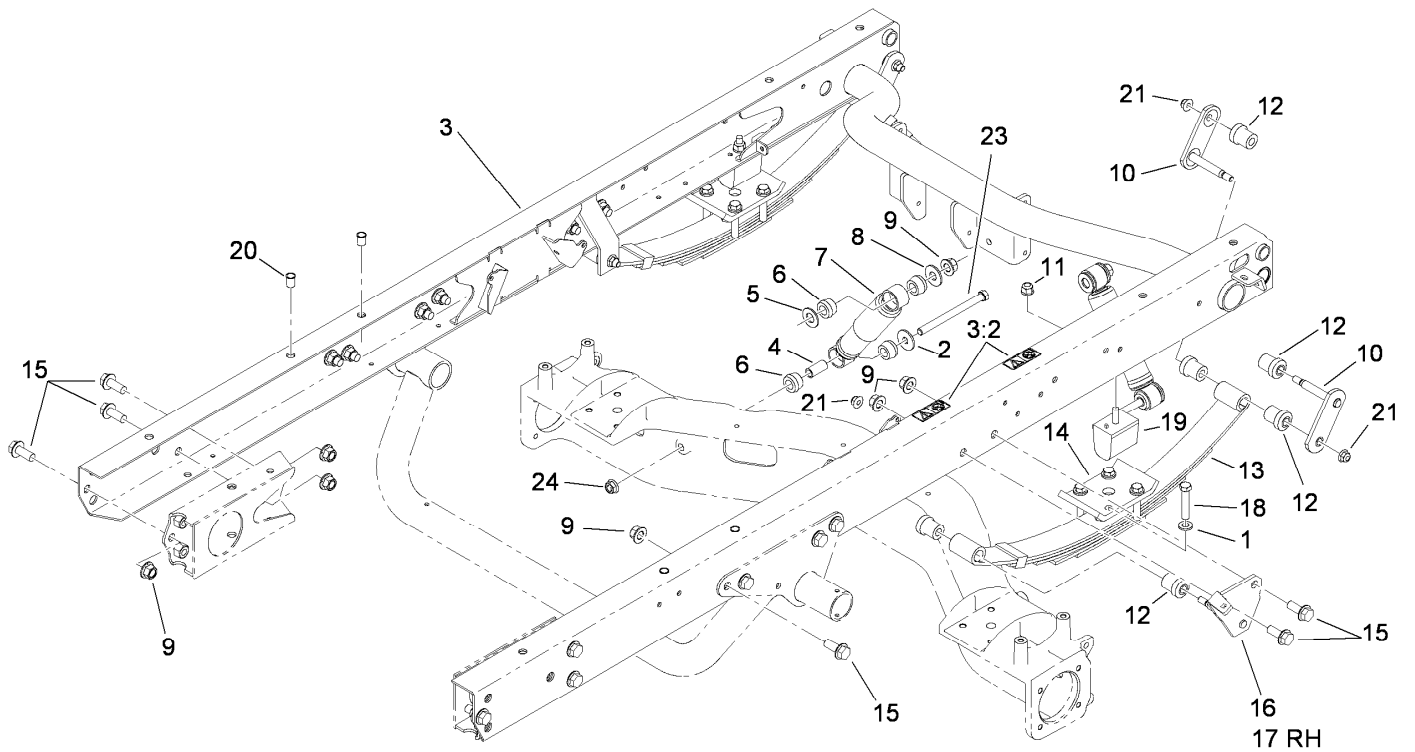
## Front Suspension Assembly

<i>Ref.</i>	<i>Part Number</i>	<i>Qty.</i>	<i>Description</i>	<i>Ref.</i>	<i>Part Number</i>	<i>Qty.</i>	<i>Description</i>
1	324-10	8	Screw-HH	14	99-5107	4	Nut-Lock
2	87-5330	12	Washer	15	114-8417	10	Nut-HF, NI
3	87-3600	10	Spacer-Absorber, Shock	16	104-8301	12	Nut-Flange, NI
4	87-3920	24	Bushing	17	87-3910	2	Bushing-Rubber
5	87-3860-03	2	Anti-Sway Bar Link ASM	18	87-4010-03	2	Clamp-Bar, Sway
6	3234-39	8	Screw-HHF	19	3231-25	4	Screw-CARR
7	33-3090	4	Bushing	20	87-3890-03	2	Bracket-Bar, Sway
8	302-11	2	Fitting-Lube, 45 DEG	21	87-3850-03	1	Bar-Sway, Anti
9	87-0150	1	Tower-Control Arm, RH	22	105-4183-01	2	Spring-Compression
10	324-13	2	Screw-HH	24	106-2302-03	2	Stabilizer Link ASM
11	325-13	2	Screw-HH	25	87-3110	2	Absorber-Shock
12	87-2500	2	Sleeve-Spring, Pivot	26	3256-27	2	Washer-Flat
13	105-7958	2	Spring Cradle ASM	27	3256-6	2	Washer-Flat
13:2	93-9879	1	Decal-Warning	28	87-0160	1	Tower-Control Arm, LH



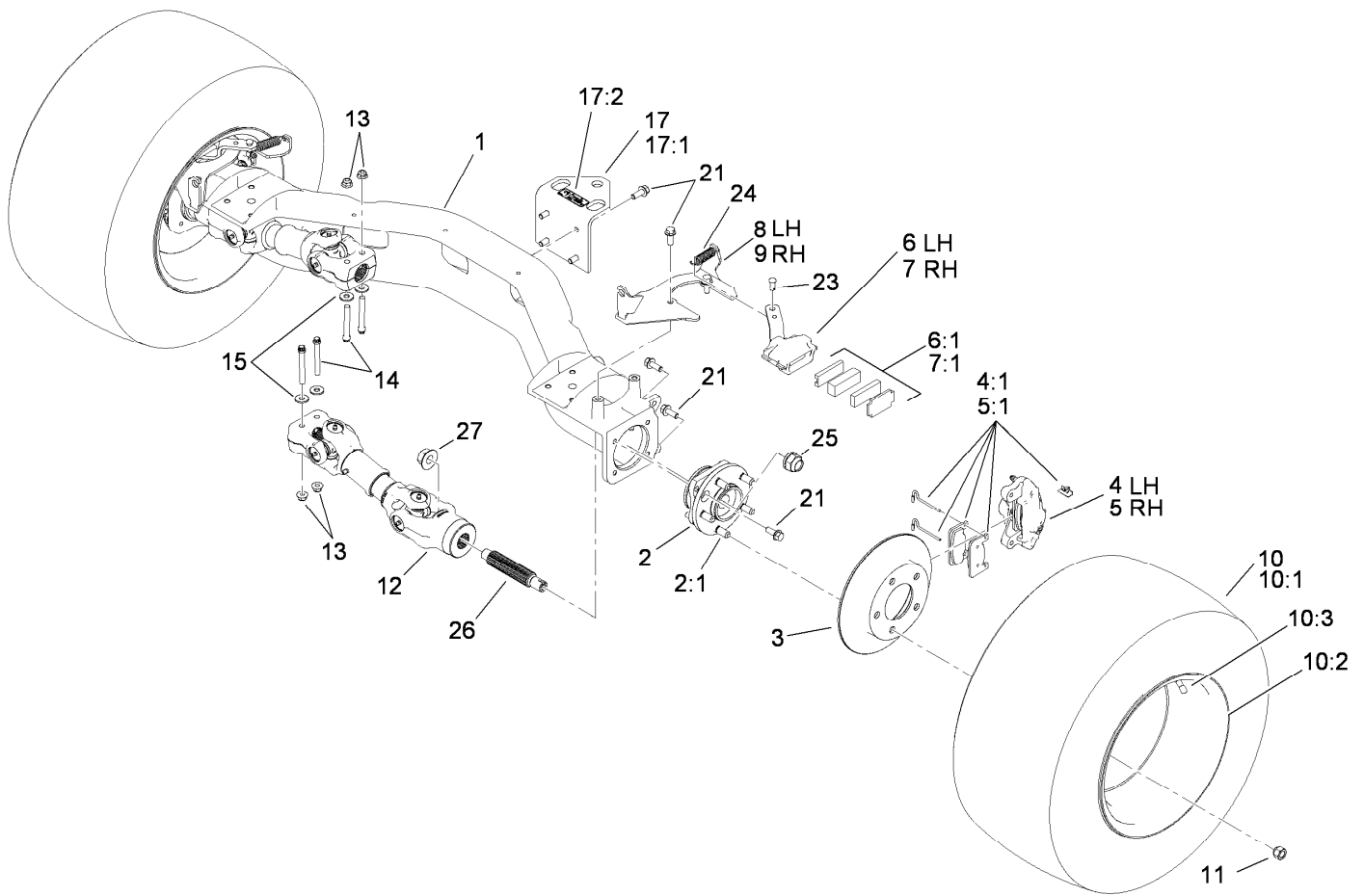
## Front Control Arm Assembly

<i>Ref.</i>	<i>Part Number</i>	<i>Qty.</i>	<i>Description</i>	<i>Ref.</i>	<i>Part Number</i>	<i>Qty.</i>	<i>Description</i>
1	115-2404	1	Upper LH Control Arm ASM	3:3:1	302-5	1	Fitting-Grease
1:2	87-1450	2	Bushing-Flange	3:4	87-2420	1	Seal-Joint, Ball
1:3	115-2165	1	Ball Joint	3:5	32151-104	1	Ring-Retaining, External
1:3:1	302-5	1	Fitting-Grease	4	115-2407	1	Lower RH Control Arm ASM
1:4	87-2420	1	Seal-Joint, Ball	4:2	87-1450	2	Bushing-Flange
1:5	32151-104	1	Ring-Retaining, External	4:3	115-2165	1	Ball Joint
2	115-2405	1	Lower LH Control Arm ASM	4:3:1	302-5	1	Fitting-Grease
2:2	87-1450	2	Bushing-Flange	4:4	87-2420	1	Seal-Joint, Ball
2:3	115-2165	1	Ball Joint	4:5	32151-104	1	Ring-Retaining, External
2:3:1	302-5	1	Fitting-Grease	5	324-10	4	Screw-HH
2:4	87-2420	1	Seal-Joint, Ball	6	114-8417	4	Nut-HF, NI
2:5	32151-104	1	Ring-Retaining, External	7	114-8419	6	Screw-HHF
3	115-2406	1	Upper RH Control Arm ASM	8	99-5107	8	Nut-Lock
3:2	87-1450	2	Bushing-Flange	9	325-17	2	Screw-HH
3:3	115-2165	1	Ball Joint				



## Rear Frame Assembly

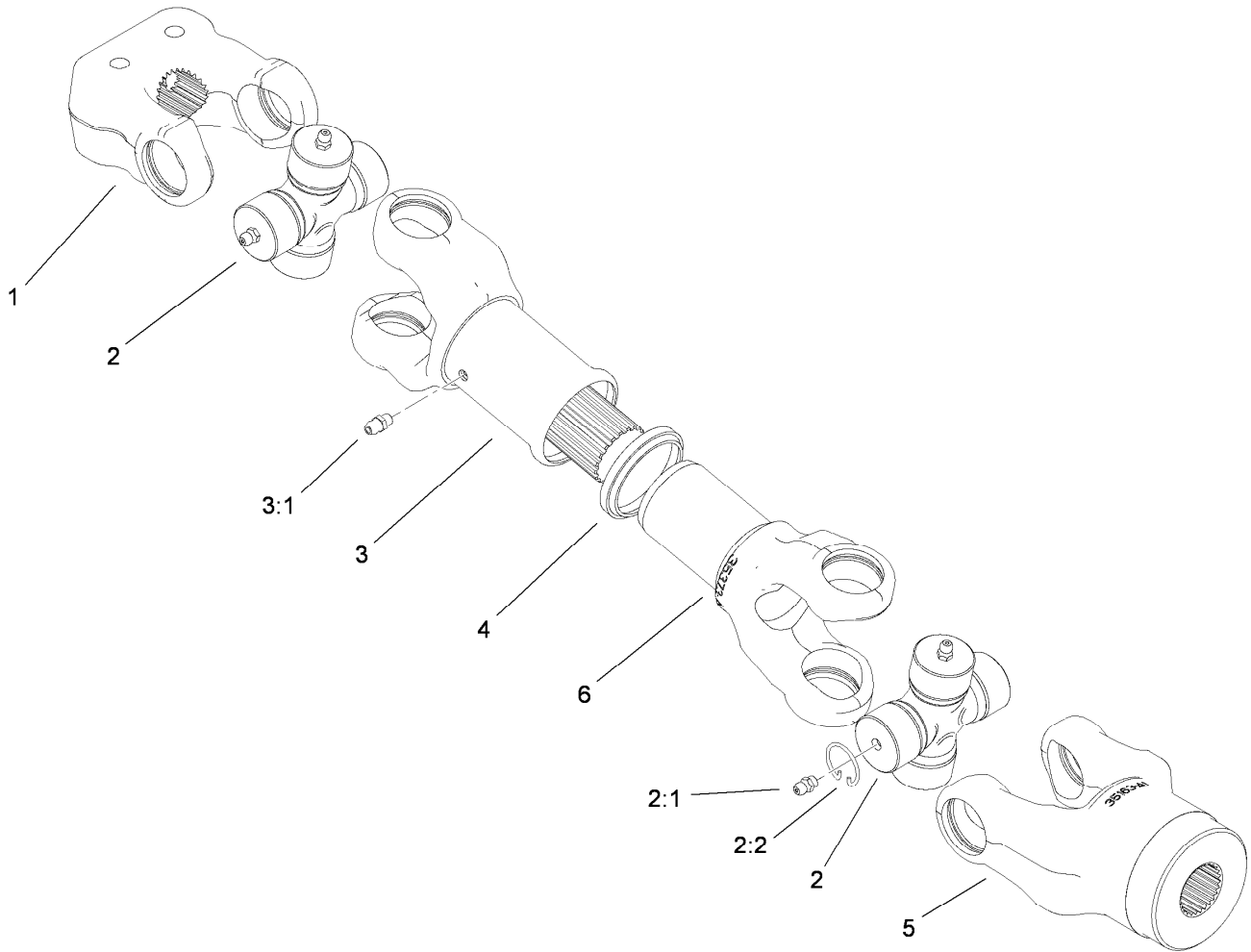
Ref.	Part Number	Qty.	Description
1	87-7480	8	Washer
2	87-5330	2	Washer
3	115-7911	1	Rear Frame ASM
3:2	115-2047	2	Decal-Surface, Hot
4	87-3600	2	Spacer-Absorber, Shock
5	3256-27	2	Washer-Flat
6	87-3920	8	Bushing
7	87-3110	2	Absorber-Shock
8	3256-6	2	Washer-Flat
9	99-5107	20	Nut-Lock
10	87-3980	4	Shackle ASM
11	103-9511	2	Nut-Lock
12	87-4760	12	Bushing-Rubber
13	87-1490	2	Spring-Leaf, Rear
14	87-7470-03	2	Plate-Spring, Clamp
15	3234-38	18	Screw-HHF
16	87-3960	1	LH Spring Mount ASM
17	87-3940	1	RH Spring Mount ASM
18	115-2398	8	Bolt-HH
19	87-3470	2	Bumper-Axle, Rear
20	32148-9	4	Insert-Nut
21	104-8301	6	Nut-Flange, NI
23	114-8424	2	Screw-HH
24	114-8417	2	Nut-HF, NI



## Rear Axle Assembly

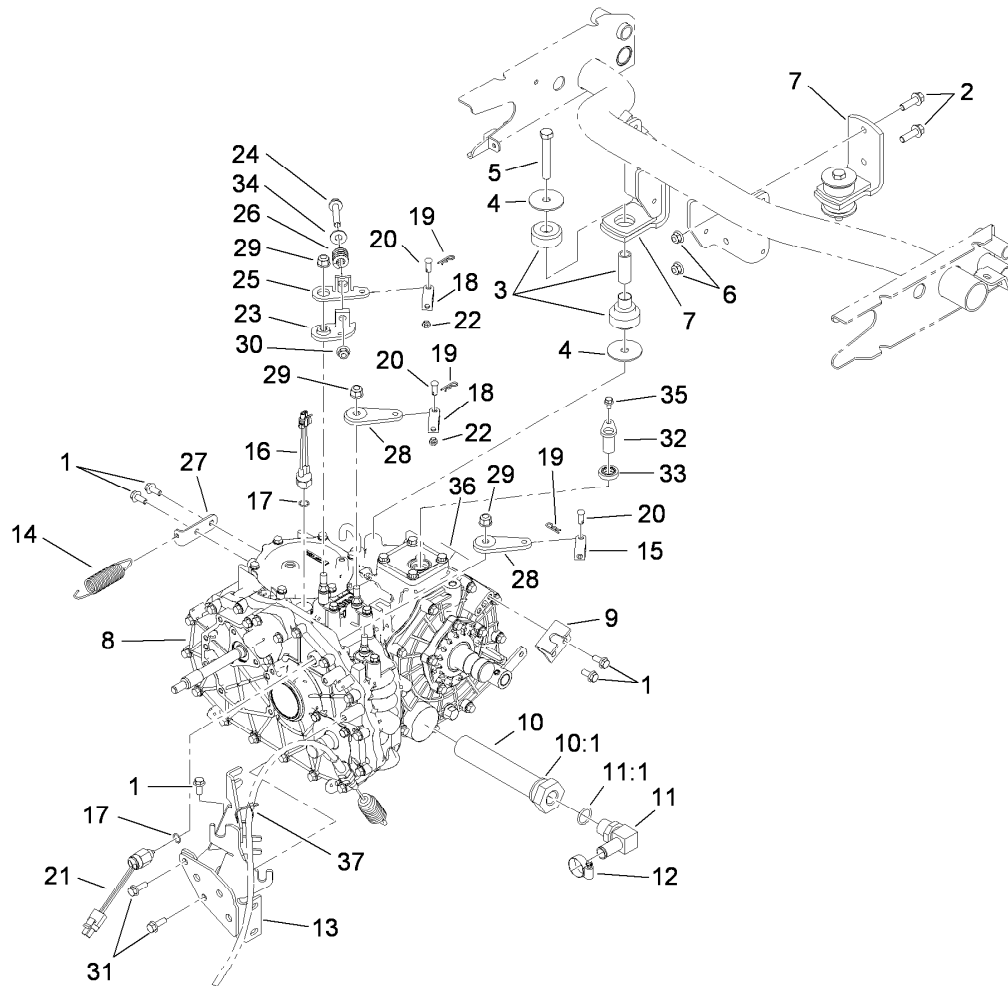
Ref.	Part Number	Qty.	Description	Ref.	Part Number	Qty.	Description
1	112-3188	1	Axle-Rear	10:2	114-8259	1	Wheel
2	112-3214	2	Wheel Hub ASM	10:3	232-27	1	Stem-Valve
2:1	114-8299	5	Stud-Wheel	11	242-50	10	Nut-Lug
3	114-8351	2	Rotor-Brake	12	114-8367	2	Driveshaft ASM
4	114-8359	1	Caliper-LH	13	104-8301	4	Nut-Flange, NI
4:1	115-7846	1	Brake Pad Kit (T108)	14	98-2939	4	Screw-Cap
5	114-8360	1	Caliper-RH	15	80-6990	4	Washer-Hardened
5:1	115-7846	1	Brake Pad Kit (T108)	17	115-7742	1	Hitch ASM
6	114-8365	1	Caliper-Mech, LH	17:1	92-5951-03	1	Angle-Hitch
6:1	115-7847	1	Brake Pad Kit (Parking)	17:2	115-7740	1	Decal-Load, Towing
7	114-8366	1	Caliper-Mech, RH	21	3234-11	20	Screw-HHF
7:1	115-7847	1	Brake Pad Kit (Parking)	23	283-85	2	Pin-Clevis
8	115-2362-03	1	LH Caliper Bracket ASM	24	104-6415	2	Spring-Return, Pedal
9	115-2359-03	1	RH Caliper Bracket ASM	25	115-2164	2	Nut-Spindle
10		2	Tire And Wheel ASM ●	26	115-7771	2	Shaft, Splined
10:1	106-7868	1	Tire	27	104-0753	2	Nut-Flange

● Not serviced separately



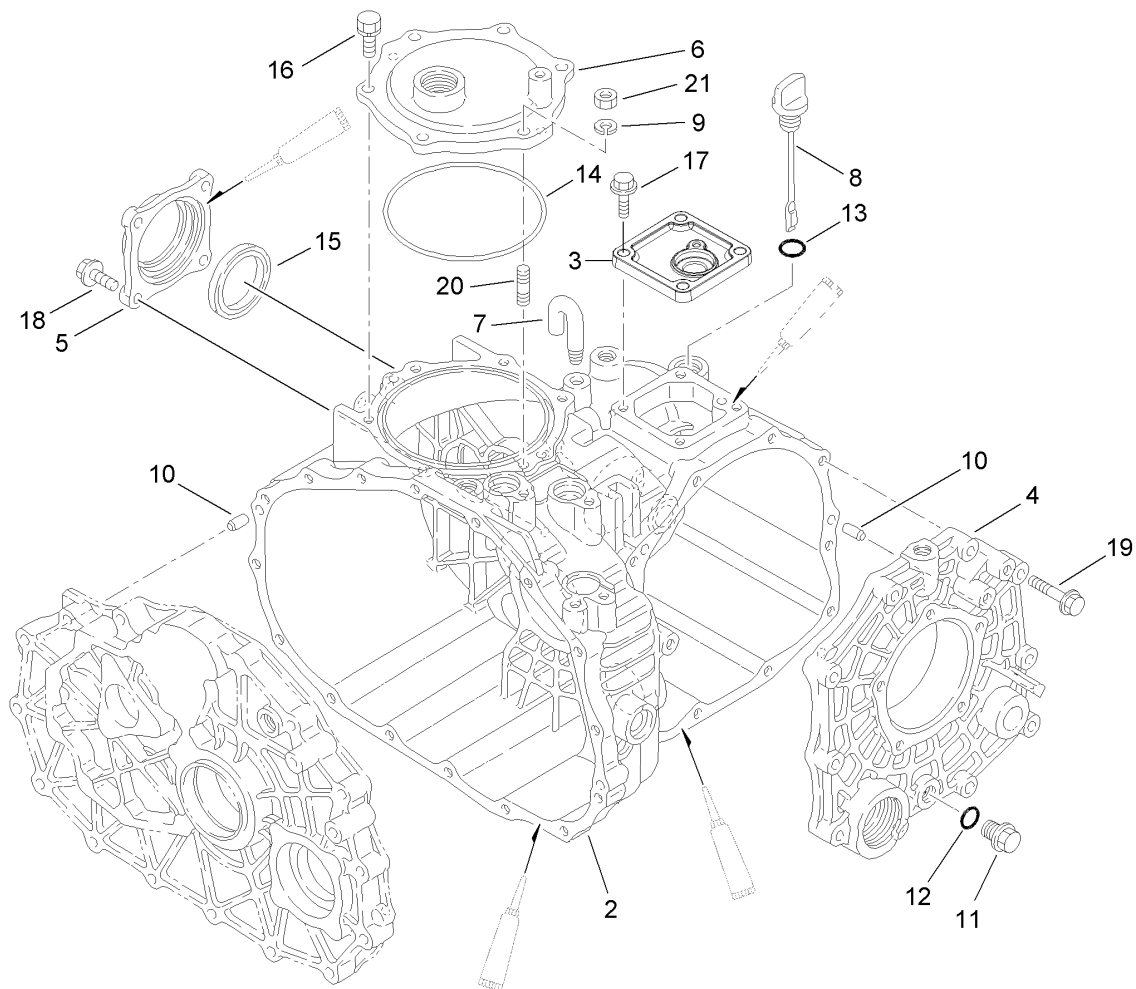
## Driveshaft Assembly No. 114-8367

<i>Ref.</i>	<i>Part Number</i>	<i>Qty.</i>	<i>Description</i>
1	98-2940	1	Yoke
2	92-4187	2	Cross And Bearing Kit
2:1	302-58	4	Fitting-Straight
2:2	92-4188	4	Ring-Snap
3	92-4179	1	Yoke-Tube, Shaft And Seal
3:1	302-5	1	Fitting-Grease
4	92-4180	1	Seal
5	115-2351	1	Yoke
6	92-4182	1	Yoke-Telescoping



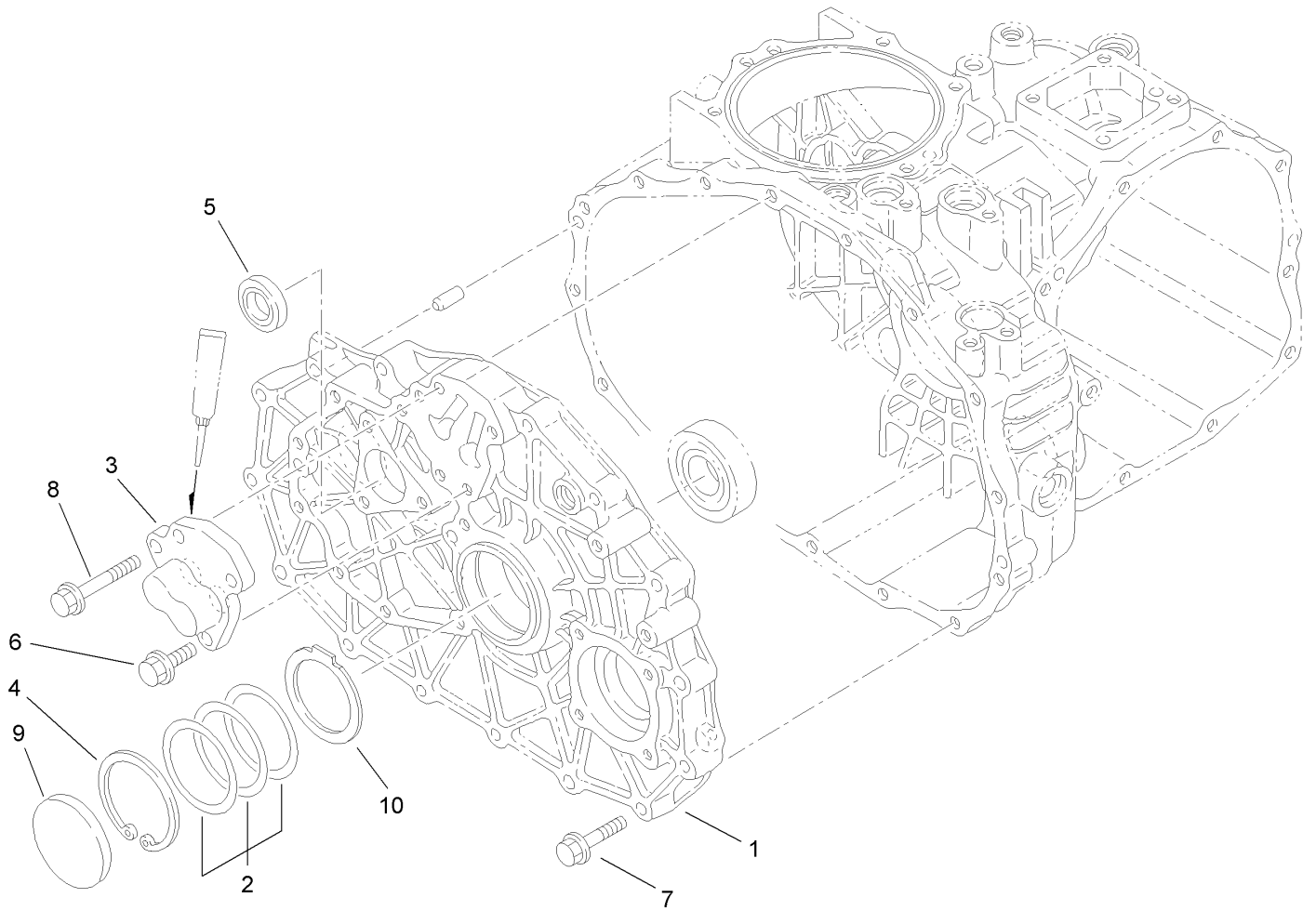
## Transaxle Assembly

<i>Ref.</i>	<i>Part Number</i>	<i>Qty.</i>	<i>Description</i>	<i>Ref.</i>	<i>Part Number</i>	<i>Qty.</i>	<i>Description</i>
1	98-7977	5	Screw-HHF	18	87-2310	2	Clevis-Cable
2	3234-24	4	Screw-HHF	19	3290-307	3	Pin-Hair
3	106-7865	2	Engine Mount ASM	20	283-62	3	Pin-Clevis
4	87-5100	4	Washer-Snubbing	21	87-6710	1	Switch-Transmission
5	33116-080	2	Screw-HH	22	3220-1	2	Nut-Jam
6	104-8301	4	Nut-Flange, NI	23	87-7970	1	Arm-Shift
7	87-5800-03	2	Transaxle Mount ASM	24	66-9302	1	Screw-HHF, Whiz
8	115-2175	1	Transaxle ASM	25	87-8250	1	Plate-Arm, Shift
9	87-4470	1	Bracket-Lock, Differential	26	87-6910	1	Spring-Compression
10	87-3990	1	Strainer-Transaxle	27	115-7714	1	Bracket-Spring
10:1	237-123	1	O-Ring	28	87-7960	2	Lever-Shift
11	353-987	1	Fitting-HYD, 90 DEG (Barbed)	29	103-9511	3	Nut-Lock
11:1	237-81	1	O-Ring	30	3290-357	1	Nut-HHF, Whiz
12	2412-129	1	Clamp-Hose	31	33104-025	2	Screw-HHF
13	105-4207-03	1	Cable Mount ASM	32	85-4350	1	Sensor-Gear tooth
14	68-9950	1	Spring-Traction	33	92-3735	1	Seal-Oil, Sensor
15	87-7160	1	Cable Clevis ASM	34	3256-4	1	Washer-Flat
16	72-4310	1	Switch-Ball	35	33103-012	1	Screw-HHF
17	237-30	2	O-Ring	36	115-7741	1	Decal-Oil, Transmission
				37	3290-379	1	Tie-Cable



## Case Assembly 4 Wheel Drive Transaxle Assembly No. 115-2175

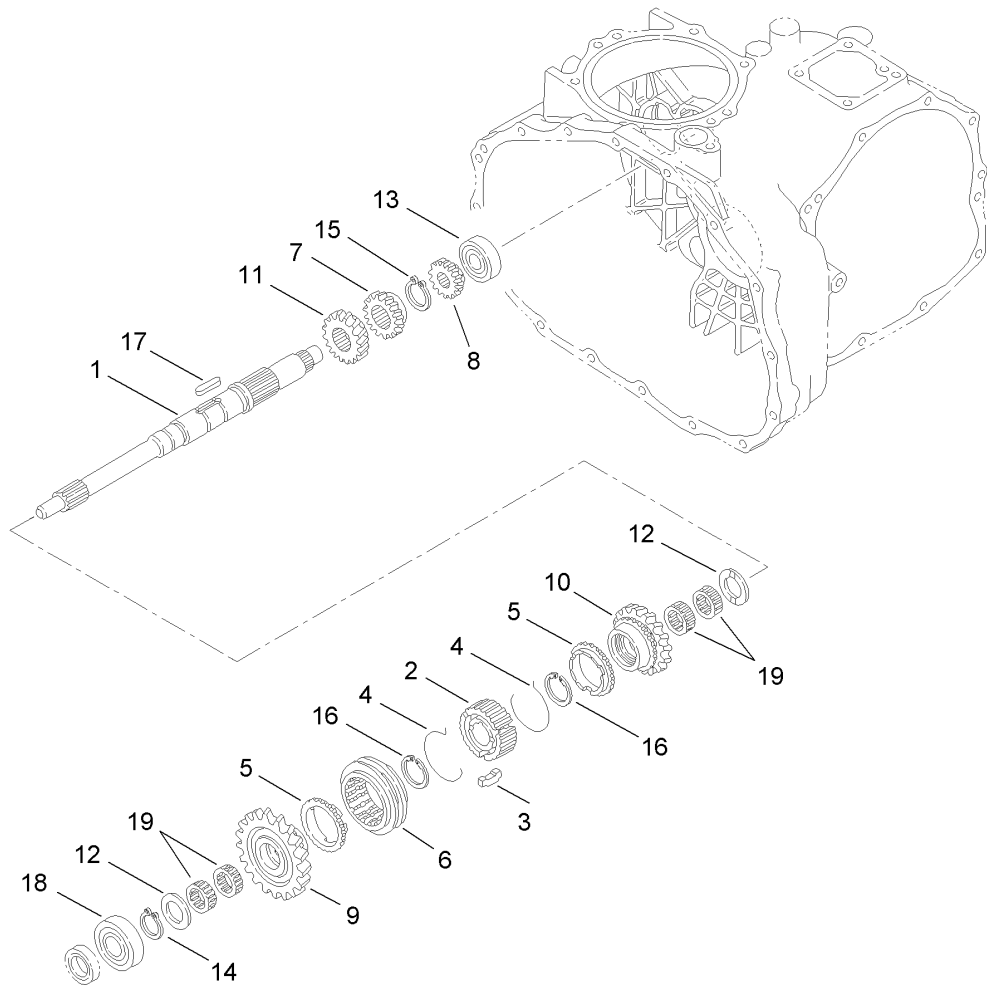
<i>Ref.</i>	<i>Part Number</i>	<i>Qty.</i>	<i>Description</i>
2	92-0651	1	Case-Transmission
3	92-0810	1	Cover-Upper, Sensor
4	92-0653	1	Cover-Side
5	92-0655	1	Cover-Seal, Axle
6	92-0656	1	Cover-Upper, PTO
7	92-0743	1	Breather-Air
8	92-0662	1	Cap-Oil
9	92-0762	1	Washer-Spring
10	92-0765	4	Pin-Parallel
11	92-0773	1	Plug-Drain
12	92-0787	1	O-Ring
13	92-0788	1	O-Ring
14	92-0790	1	O-Ring
15	92-0793	1	Seal-Oil
16	92-0796	5	Bolt
17	33104-025	4	Screw-HHF
18	33104-025	4	Screw-HHF
19	33104-040	10	Screw-HHF
20	92-0805	1	Stud-M8X18
21	68-9400	1	Nut-Flange



## Center Plate Assembly 4 Wheel Drive Transaxle Assembly No. 115-2175

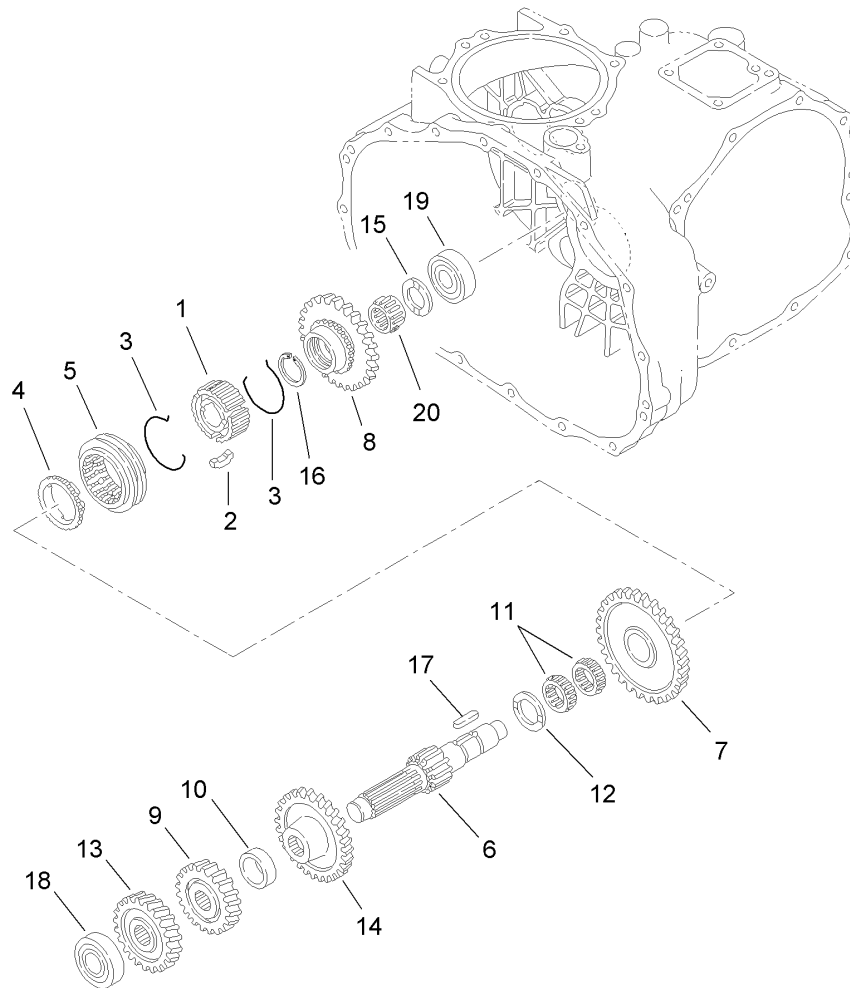
<i>Ref.</i>	<i>Part Number</i>	<i>Qty.</i>	<i>Description</i>
1	100-4462	1	Plate-Center, 4Wd
2	100-4460	1	Shim-Set
3	92-0706	1	Shaft-Fork
4	92-0759	1	Ring-Snap
5	92-0791	1	Seal-Oil
6	33104-025	3	Screw-HHF
7	33104-040	15	Screw-HHF
8	33104-050	1	Screw-HHF
9	92-0807	1	Cap-Sealing
10	100-4465	1	Shim (W/Tab)





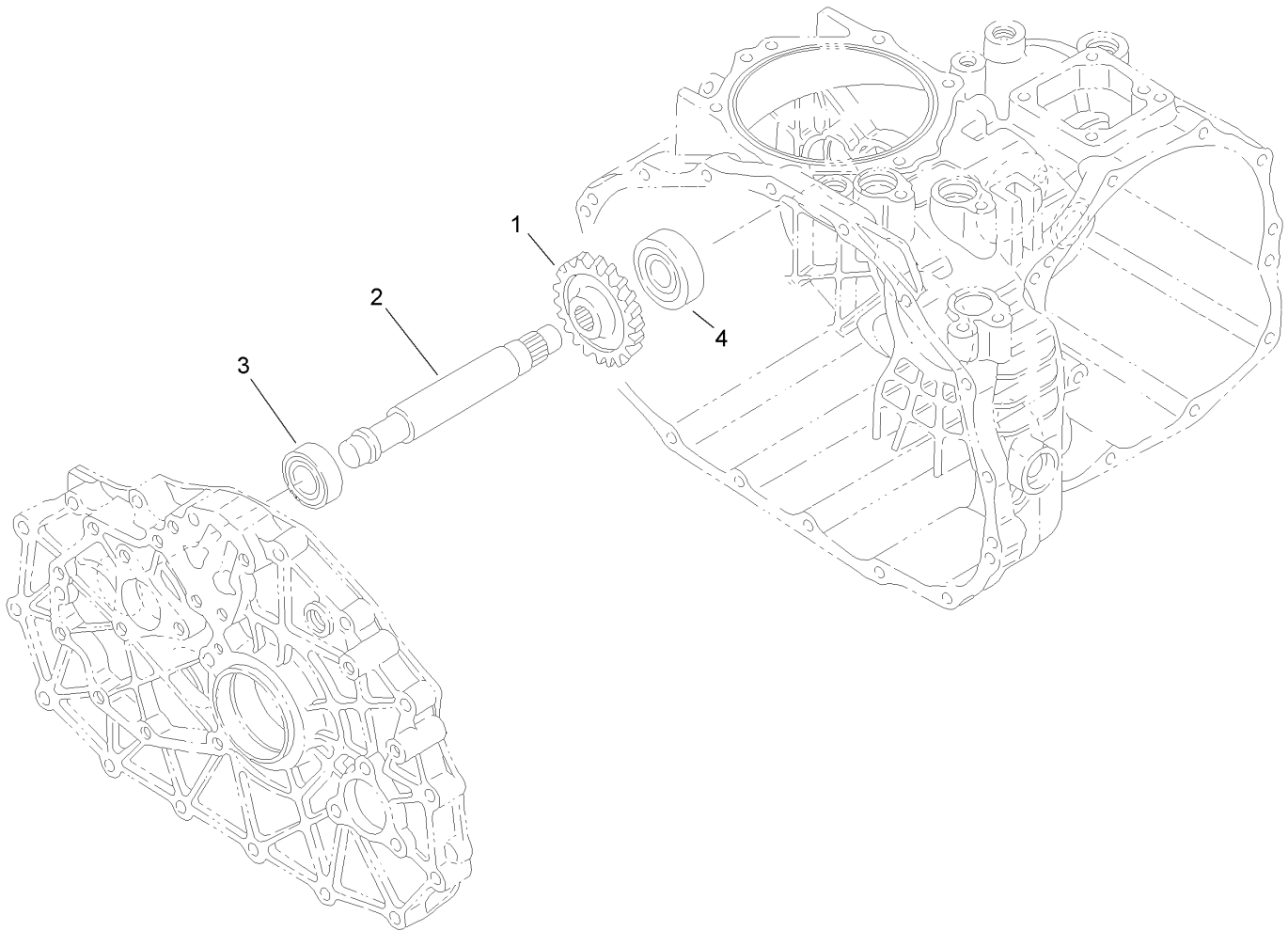
## Main Shaft Assembly 4 Wheel Drive Transaxle Assembly No. 115-2175

<i>Ref.</i>	<i>Part Number</i>	<i>Qty.</i>	<i>Description</i>
1	92-0663	1	Shaft-Main
2	92-0664	1	Hub-Synchro
3	92-0665	3	Key-Synchro
4	92-0666	2	Spring-Synchro
5	92-0667	2	Ring-Synchro
6	92-0668	1	Shifter-Synchro
7	92-0672	1	Gear-Main, 18 Tooth
8	92-0673	1	Gear-Main, 14 Tooth
9	110-2521	1	Gear-Main, 27 Tooth
10	110-2522	1	Gear- Main, 24 Tooth
11	92-0687	1	Gear-Main, 16 Tooth
12	92-0740	2	Washer-Thrust
13	92-0650	1	Bearing
14	92-0753	1	Ring-Snap
15	92-0754	1	Ring-Snap
16	92-0763	2	Ring-Snap
17	92-0772	1	Key
18	251-8	1	Bearing-Ball
19	92-0781	4	Bearing-Needle



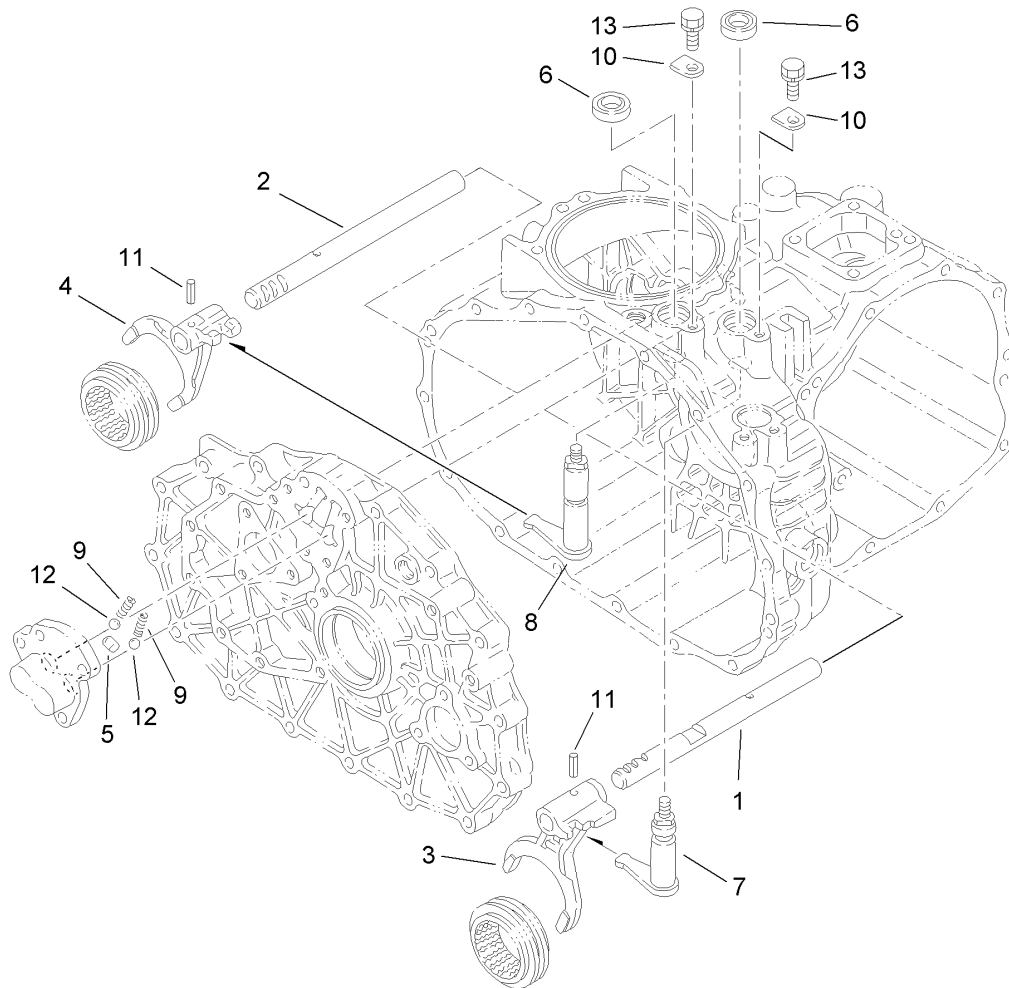
## Reduction Shaft Assembly 4 Wheel Drive Transaxle Assembly No. 115-2175

<i>Ref.</i>	<i>Part Number</i>	<i>Qty.</i>	<i>Description</i>
1	92-0664	1	Hub-Synchro
2	92-0665	3	Key-Synchro
3	92-0666	2	Spring-Synchro
4	92-0667	1	Ring-Synchro
5	92-0668	1	Shifter-Synchro
6	92-0674	1	Shaft-Reduction
7	110-2524	1	Gear-Reduction, 49 Tooth
8	92-0819	1	Gear-Reduction, 40 Tooth
9	92-0769	1	Pin-Roll
10	92-0680	1	Collar
11	92-0681	2	Bearing-Needle
12	92-0682	1	Washer-Thrust
13	92-0822	1	Gear-Reduction, 28 Tooth
14	92-0823	1	Gear-Reduction, 43 Tooth
15	92-0740	1	Washer-Thrust
16	92-0673	1	Gear-Main, 14 Tooth
17	92-0772	1	Key
18	105-7985	1	Bearing
19	92-0778	1	Bearing
20	92-0782	1	Bearing-Needle



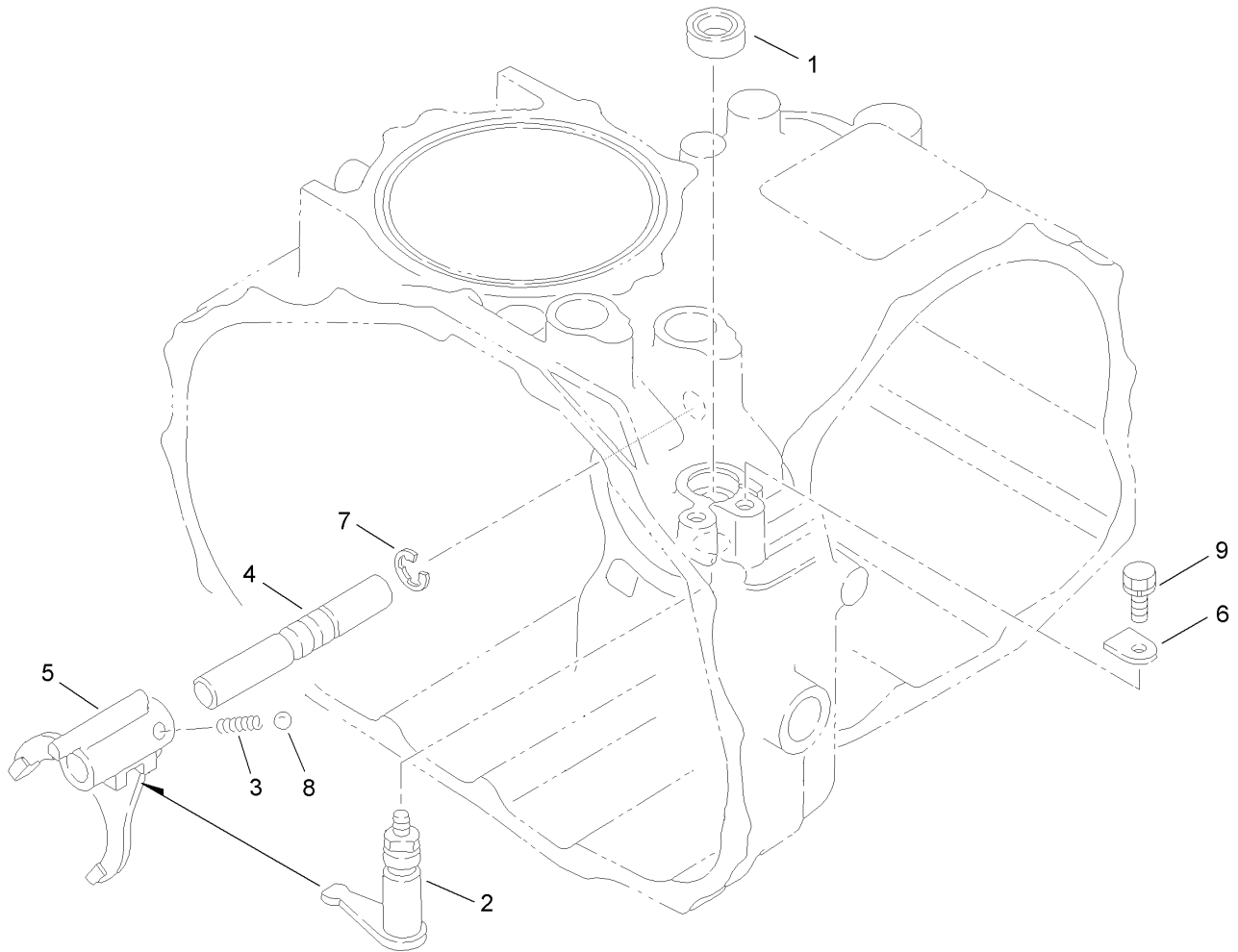
## Reverse Shaft Assembly 4 Wheel Drive Transaxle Assembly No. 115-2175

<i>Ref.</i>	<i>Part Number</i>	<i>Qty.</i>	<i>Description</i>
1	92-0684	1	Gear-Reverse, 33 Tooth
2	92-0824	1	Shaft-Idler, Reverse
3	251-346	1	Bearing-Ball
4	92-0778	1	Bearing



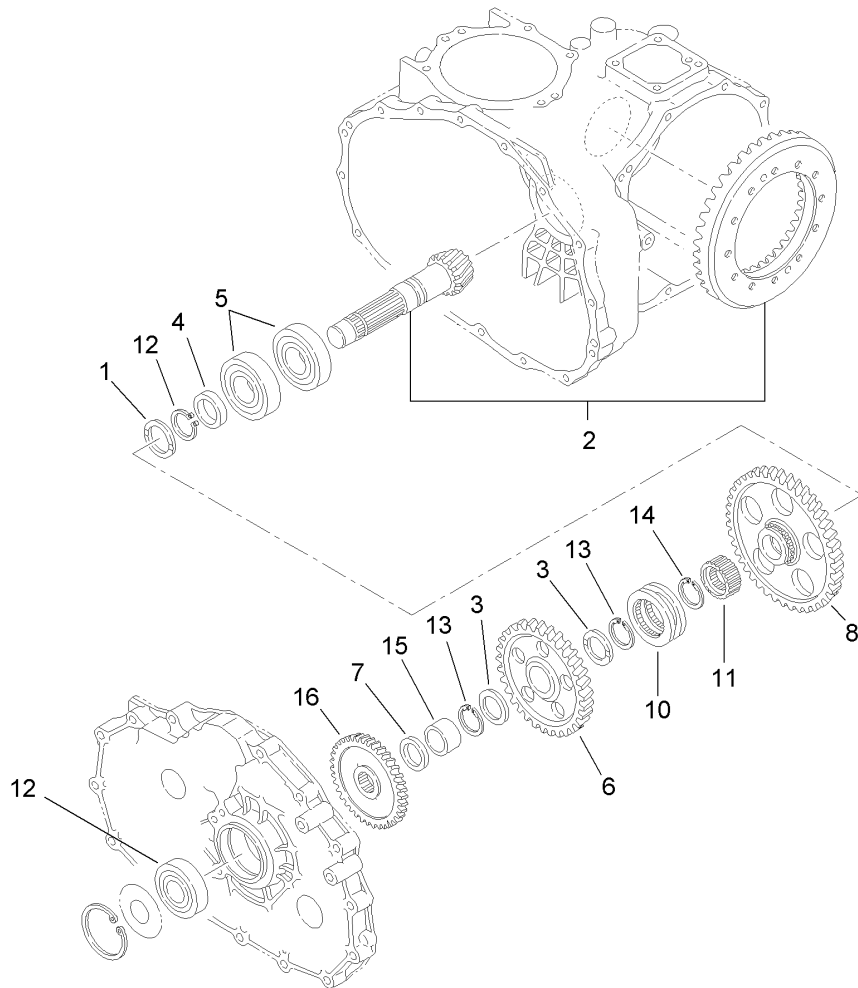
## Main Shift Assembly 4 Wheel Drive Transaxle Assembly No. 115-2175

<i>Ref.</i>	<i>Part Number</i>	<i>Qty.</i>	<i>Description</i>
1	92-0698	1	Shaft-Fork
2	92-0699	1	Shaft-Fork
3	92-0700	1	Fork-Shift
4	92-0701	1	Fork-Shift
5	92-0705	1	Lock-Spindle
6	92-0729	2	Seal-Oil
7	92-0816	1	Arm-Shift
8	92-0817	1	Arm-Shift
9	92-0731	2	Spring
10	92-0732	2	Plate-Keeper
11	92-0769	2	Pin-Roll
12	92-0785	2	Ball-Steel
13	33104-016	2	Screw-HHF



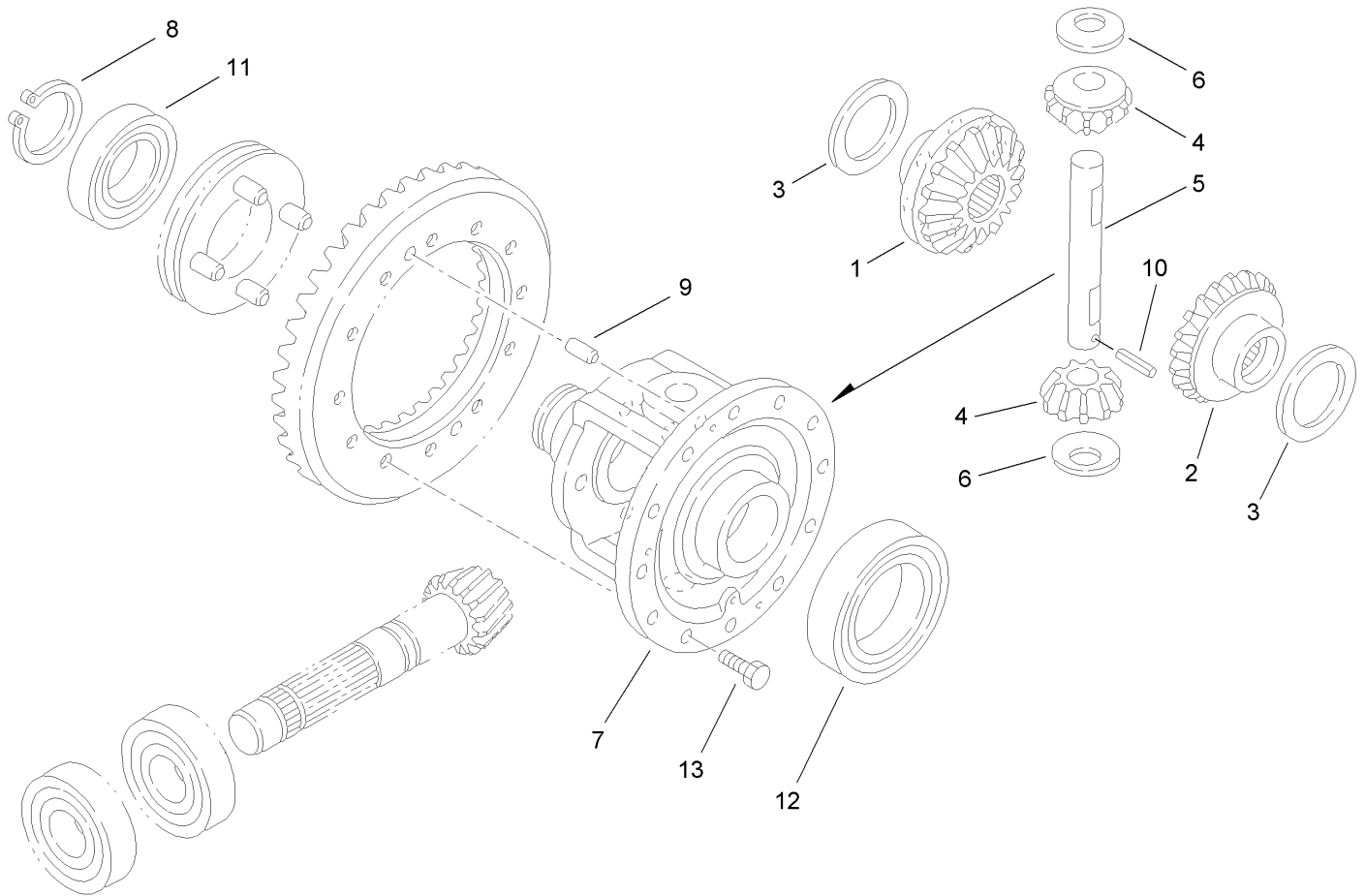
## Hi-Lo Shift Assembly 4 Wheel Drive Transaxle Assembly No. 115-2175

<i>Ref.</i>	<i>Part Number</i>	<i>Qty.</i>	<i>Description</i>
1	92-0729	1	Seal-Oil
2	92-0818	1	Arm-Shift
3	92-0731	1	Spring
4	92-0708	1	Shaft-Fork
5	92-0709	1	Fork-Shift
6	92-0732	1	Plate-Keeper
7	92-0761	1	Ring-E
8	92-0785	1	Ball-Steel
9	33104-016	1	Screw-HHF



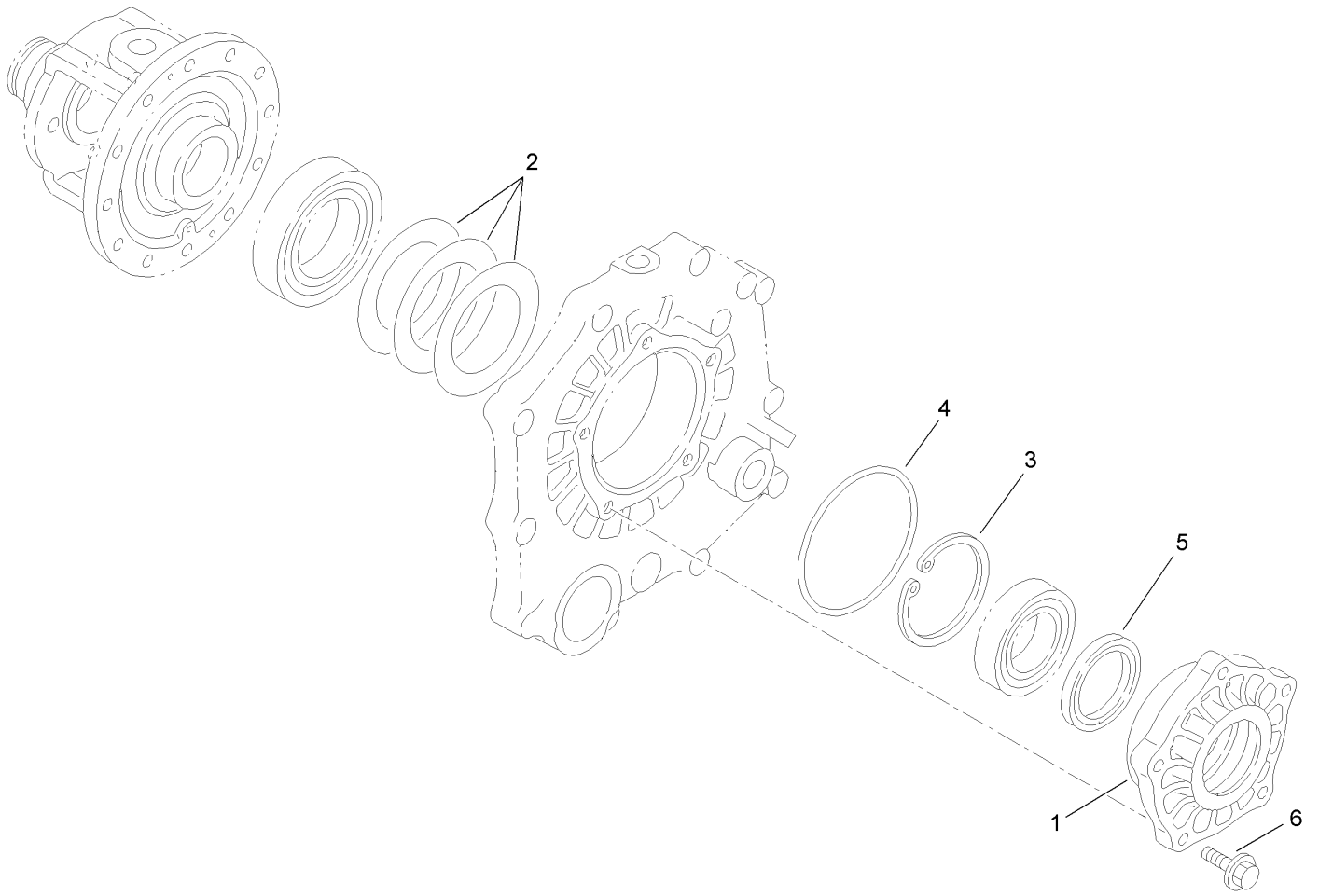
## Countershaft Assembly 4 Wheel Drive Transaxle Assembly No. 115-2175

<i>Ref.</i>	<i>Part Number</i>	<i>Qty.</i>	<i>Description</i>
1	92-0741	1	Washer-Thrust
2	105-7983	1	Countershaft And Ring Gear ASM
3	92-0711	2	Washer-Thrust
4	92-0713	1	Collar
5	92-0714	2	Bearing
6	92-0715	1	Gear-Countershaft
7	92-0716	1	Collar
8	92-0717	1	Gear-Countershaft
10	92-0718	1	Shifter
11	105-7986	1	Collar-Spline
12	92-0712	1	Bearing-Ball
13	105-7987	2	Ring-Snap
14	92-0755	1	Ring-Snap
15	92-0783	1	Race-Inner
16	92-5186	1	Pinion



## Differential Gear Assembly 4 Wheel Drive Transaxle Assembly No. 115-2175

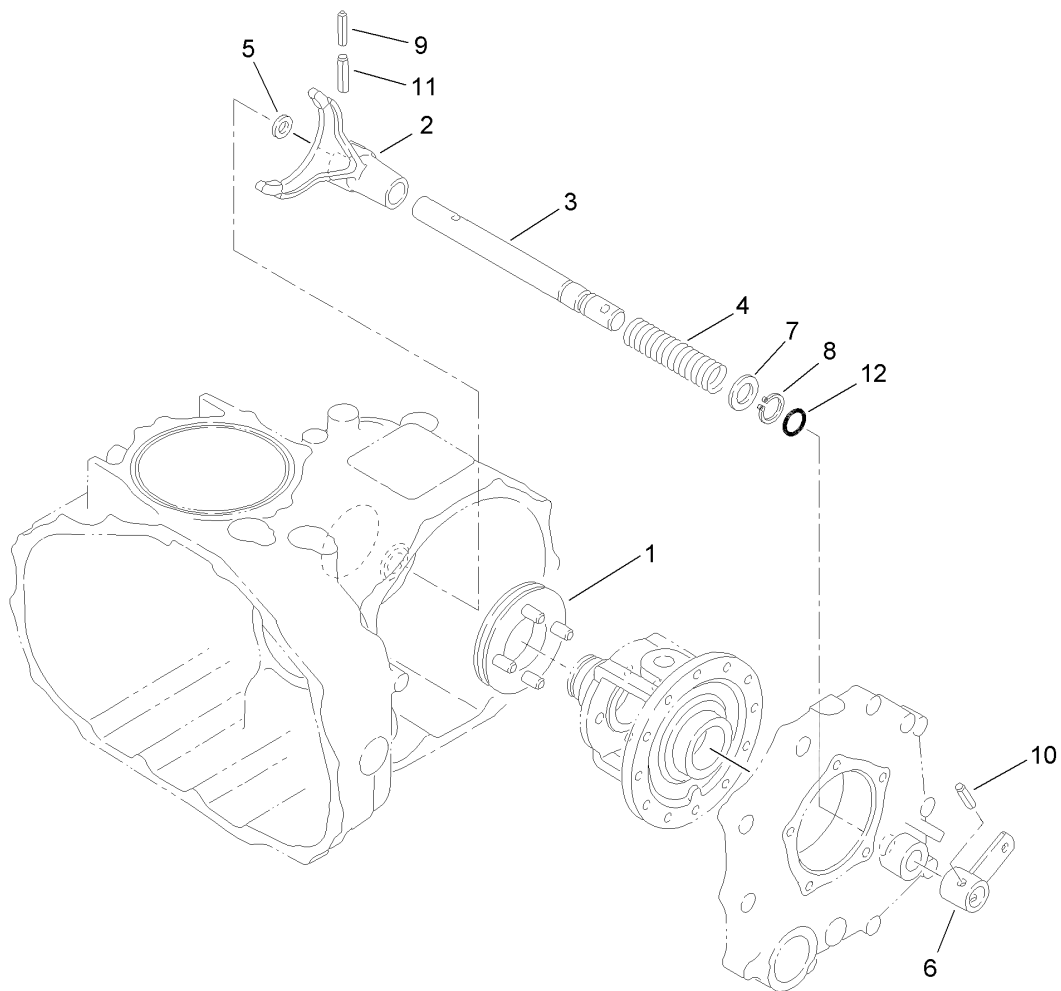
<i>Ref.</i>	<i>Part Number</i>	<i>Qty.</i>	<i>Description</i>
1	92-0745	1	Gear-Side, LH
2	92-0746	1	Gear-Side, RH
3	92-0747	2	Side-Gear, Left Inner
4	92-0748	2	Pinion-Differential
5	92-0749	1	Shaft-Pinion
6	92-0750	2	Washer
7	92-0720	1	Case-Differential
8	92-0756	1	Ring-Snap
9	92-0765	2	Pin-Parallel
10	92-0768	1	Pin-Roll, Spring
11	92-0775	1	Bearing
12	92-0776	1	Bearing
13	92-0803	12	Bolt



## Differential Carrier Assembly 4 Wheel Drive Transaxle Assembly No. 115-2175

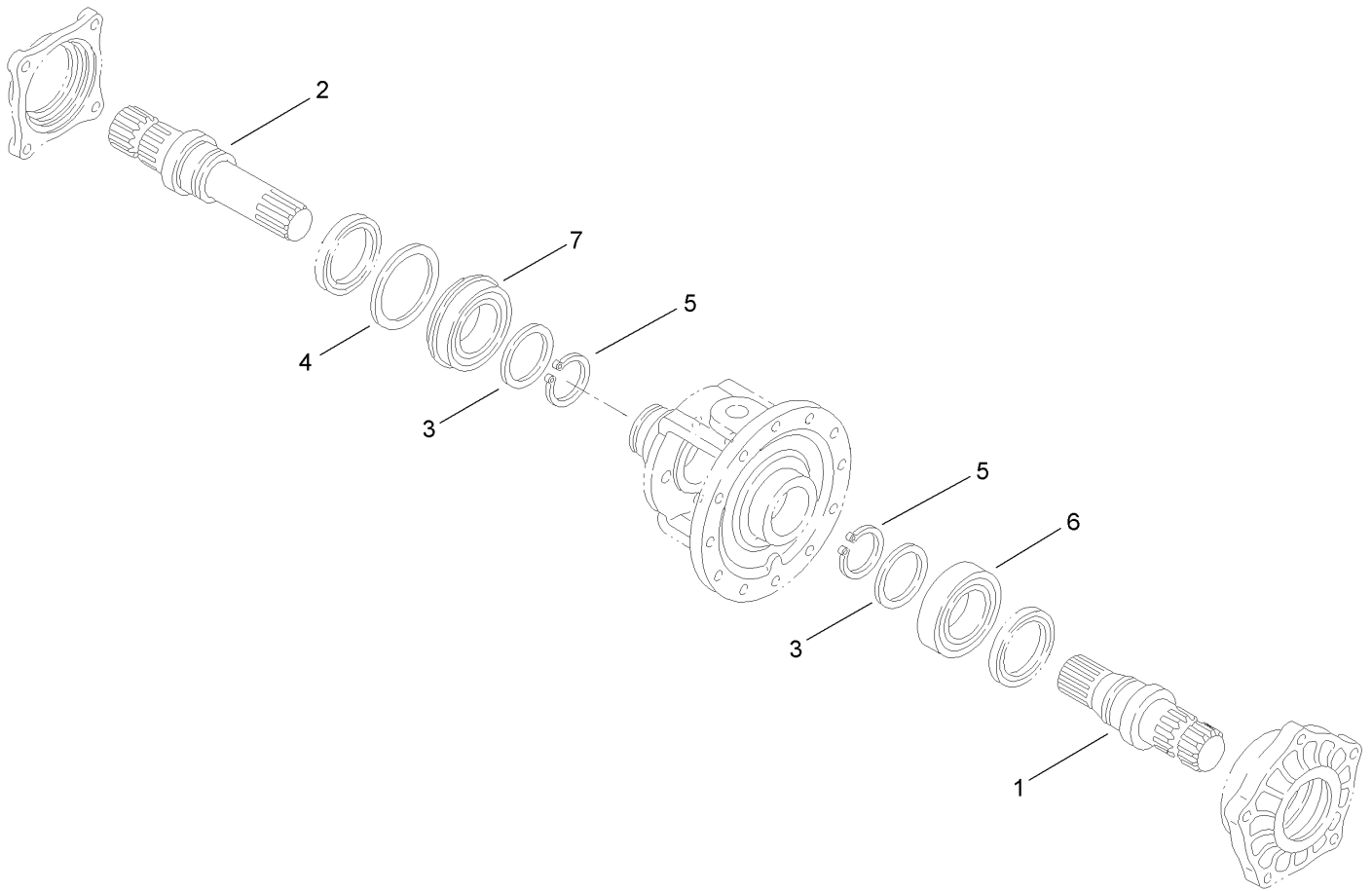
<i>Ref.</i>	<i>Part Number</i>	<i>Qty.</i>	<i>Description</i>
1	92-0654	1	Carrier-Differential
2	92-0809	1	Set-Shim
3	92-0760	1	Ring-Snap
4	92-0789	1	O-Ring
5	92-0793	1	Seal-Oil
6	33104-030	5	Screw-HHF





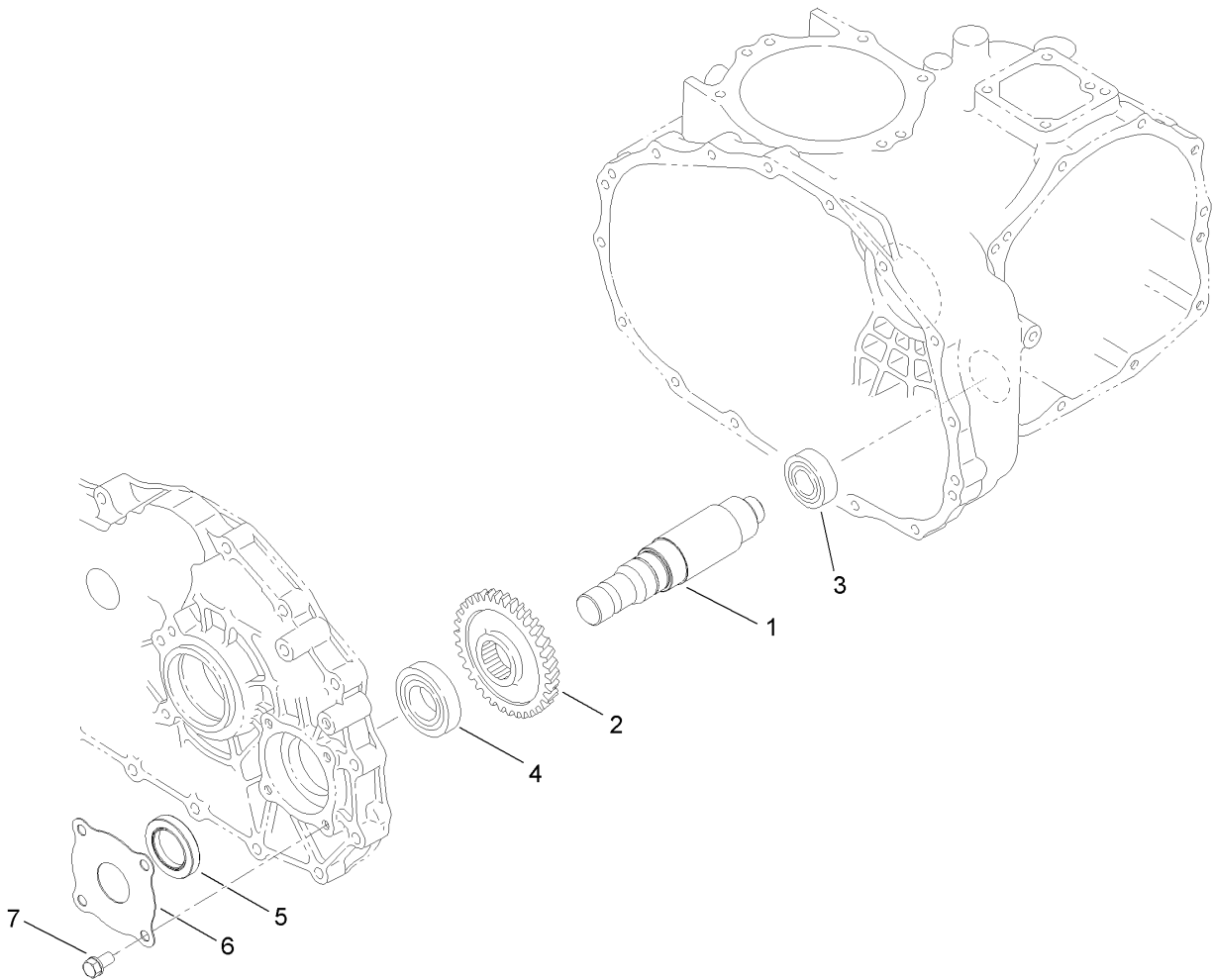
## Differential Lock Assembly 4 Wheel Drive Transaxle Assembly No. 115-2175

<i>Ref.</i>	<i>Part Number</i>	<i>Qty.</i>	<i>Description</i>
1	92-0730	1	Slider-Differential, Lock
2	92-0721	1	Fork-Lock, Differential
3	92-0722	1	Shaft-Fork, Lock Differential
4	92-0723	1	Spring-Lock, Differential
5	92-0744	1	Washer
6	92-0724	1	Arm-Lock, Differential
7	92-0733	1	Washer
8	92-0753	1	Ring-Snap
9	92-0768	1	Pin-Roll, Spring
10	92-0770	1	Pin-Roll, Spring
11	92-0771	1	Pin-Roll, Spring
12	92-0787	1	O-Ring



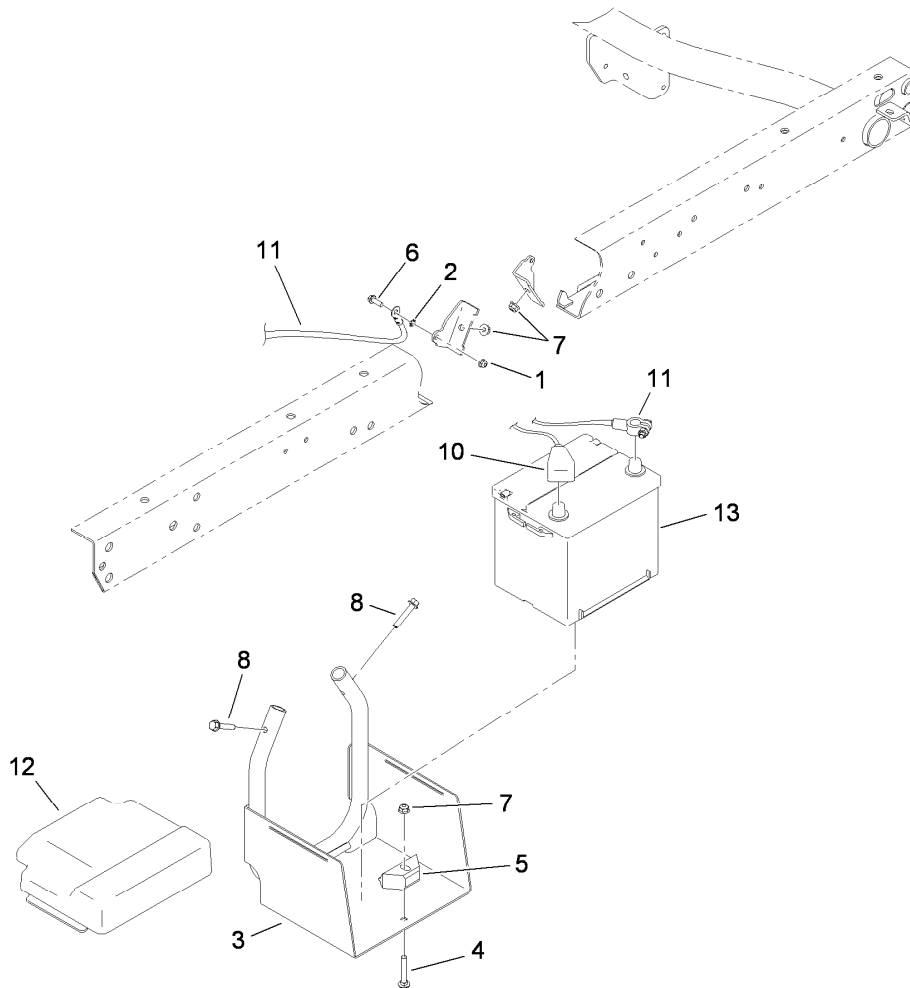
## Axle Shaft Assembly 4 Wheel Drive Transaxle Assembly No. 115-2175

<i>Ref.</i>	<i>Part Number</i>	<i>Qty.</i>	<i>Description</i>
1	92-0725	1	Shaft-Axle, Left
2	92-0726	1	Shaft-Axle, Right
3	92-0727	2	Washer
4	92-0728	1	Washer
5	92-0756	2	Ring-Snap
6	92-0775	1	Bearing
7	92-0780	1	Bearing



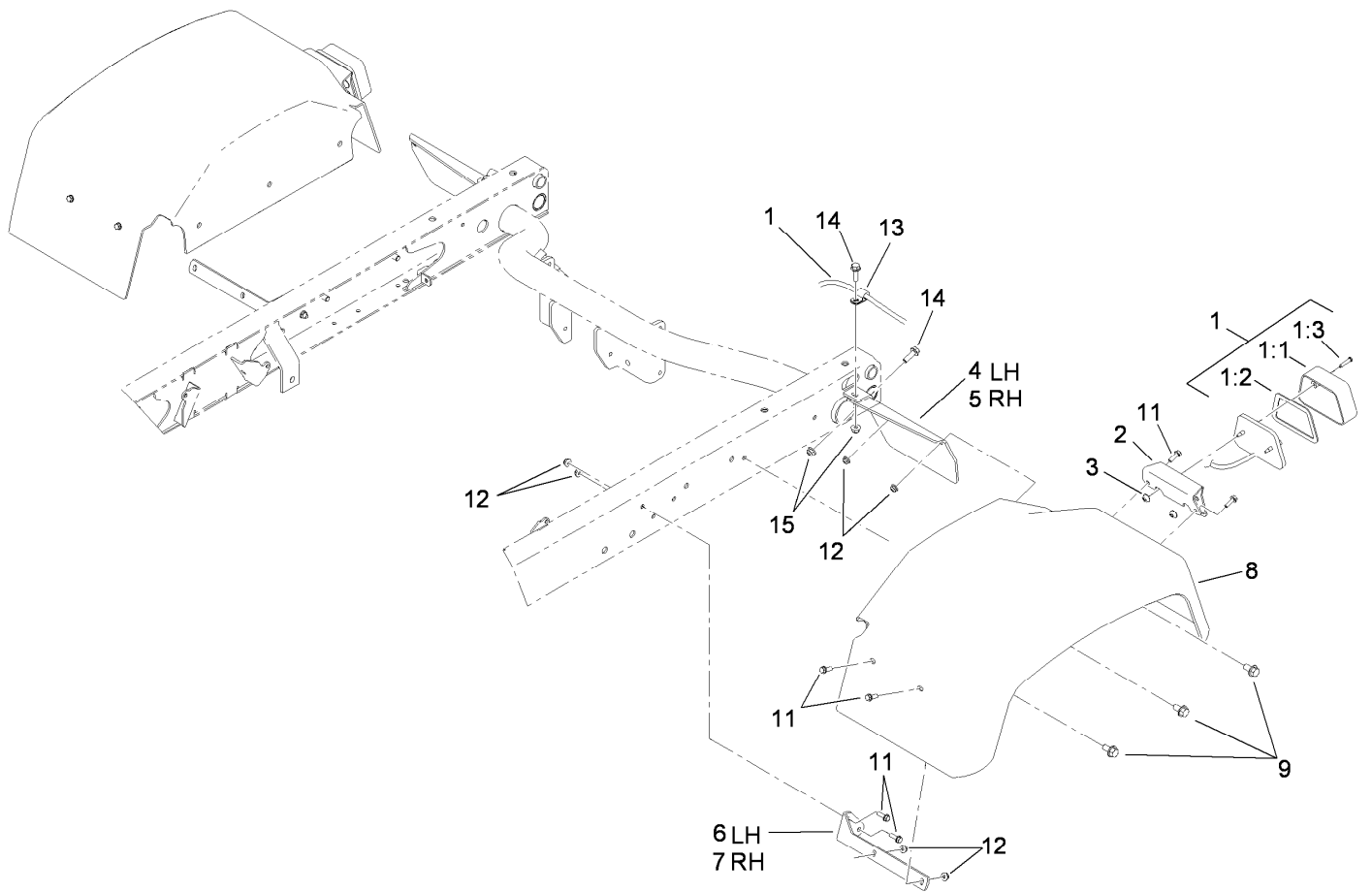
## Front Drive Assembly 4 Wheel Drive Transaxle Assembly No. 115-2175

<i>Ref.</i>	<i>Part Number</i>	<i>Qty.</i>	<i>Description</i>
1	115-7828	1	Driveshaft-Front
2	92-5184	1	Gear
3	251-346	1	Bearing-Ball
4	92-5185	1	Bearing
5	115-7829	1	Seal
6	115-7830	1	Protector-Seal
7	33104-016	4	Screw-HHF



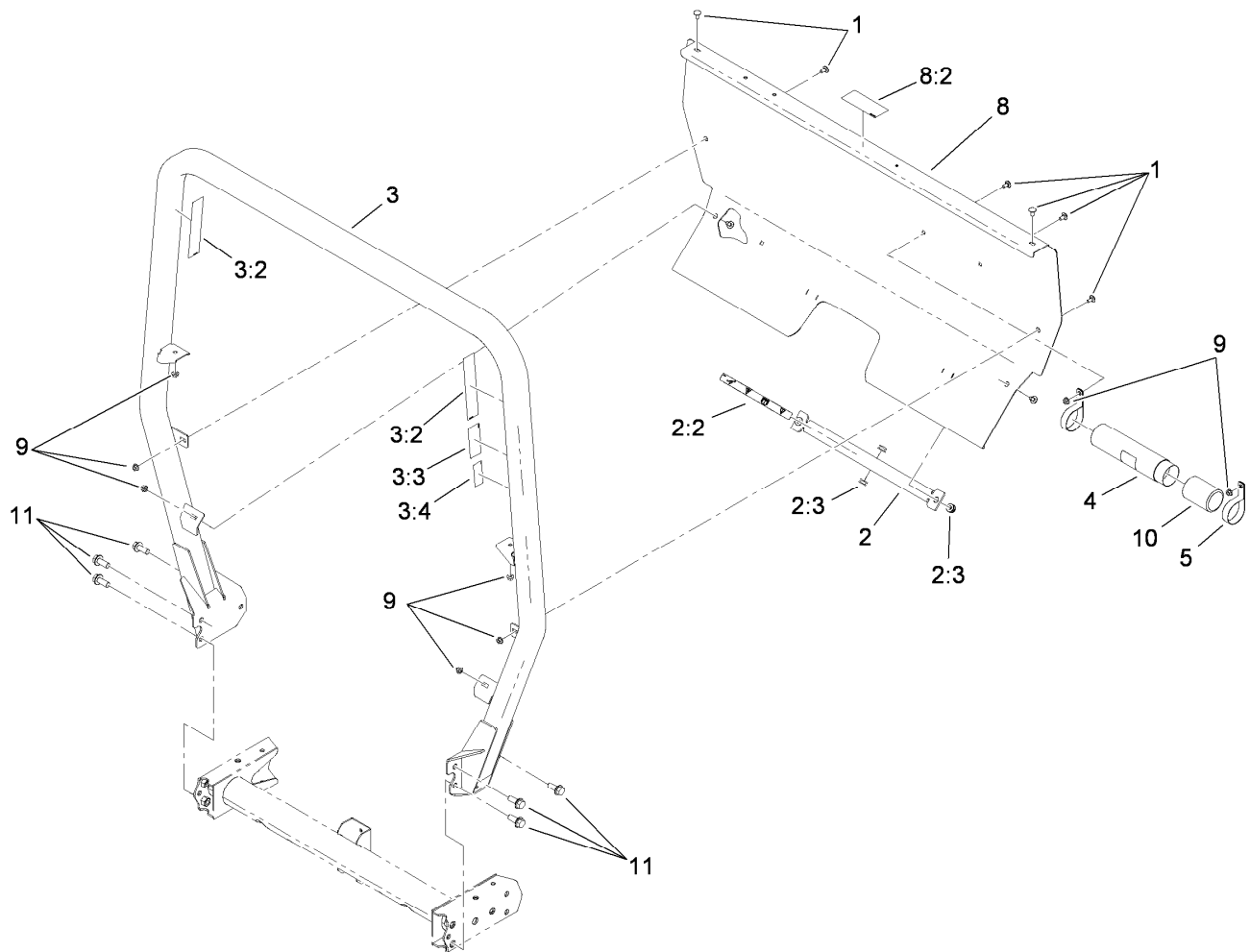
## Battery Assembly

<i>Ref.</i>	<i>Part Number</i>	<i>Qty.</i>	<i>Description</i>
1	104-7201	1	Nut-HF
2	3255-7	1	Washer-Lock/EXT
3	115-2237-03	1	Battery Tray ASM
4	3230-6	1	Screw-CARR
5	66-2490	1	Retainer-Battery
6	32105-15	1	Screw
7	104-8300	3	Nut-Flange, NI
8	94-5780	2	Screw-HWH
10	87-8000	1	Cable-Battery, Positive
11	115-8112	1	Cable-Battery, Negative
12	115-2448	1	Cover-Battery
13	106-5187	1	Battery



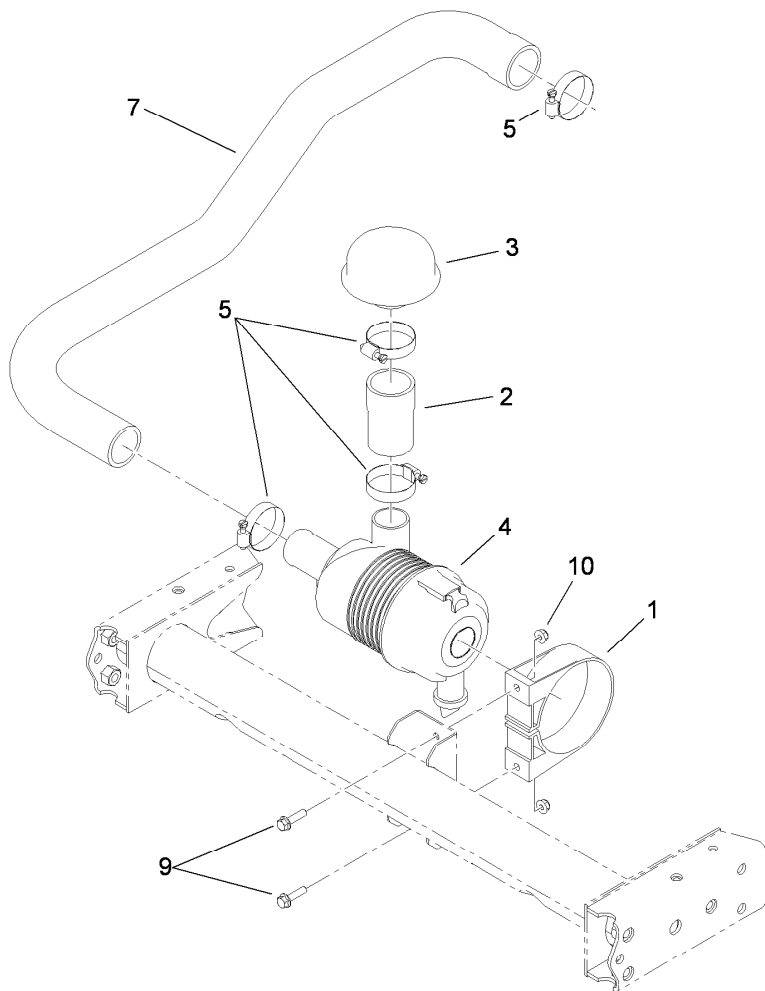
## Tail Light and Fender Assembly

Ref.	Part Number	Qty.	Description
1	115-7745	2	Light-Tail, Brake
1:1	87-6300	1	Lens-Light, Tail
1:2	87-6310	1	Gasket-Light, Tail
1:3	32144-93	2	Screw-PPHTF
2	115-2289-03	2	Bracket-Light, Tail
3	3290-506	4	Pinnut
4	93-8943-03	1	Bracket-Fender, Rear (LH)
5	93-8944-03	1	Bracket-Fender, Rear (RH)
6	93-8941-03	1	Bracket-Fender, Front (LH)
7	93-8942-03	1	Bracket-Fender, Front (RH)
8	87-6660	2	Fender-Rear
9	110-9380	6	Screw-HWH
11	32105-15	12	Screw
12	104-7201	12	Nut-HF
13	2412-93	2	Clamp-R
14	3234-17	4	Screw-HHF
15	104-8300	4	Nut-Flange, NI



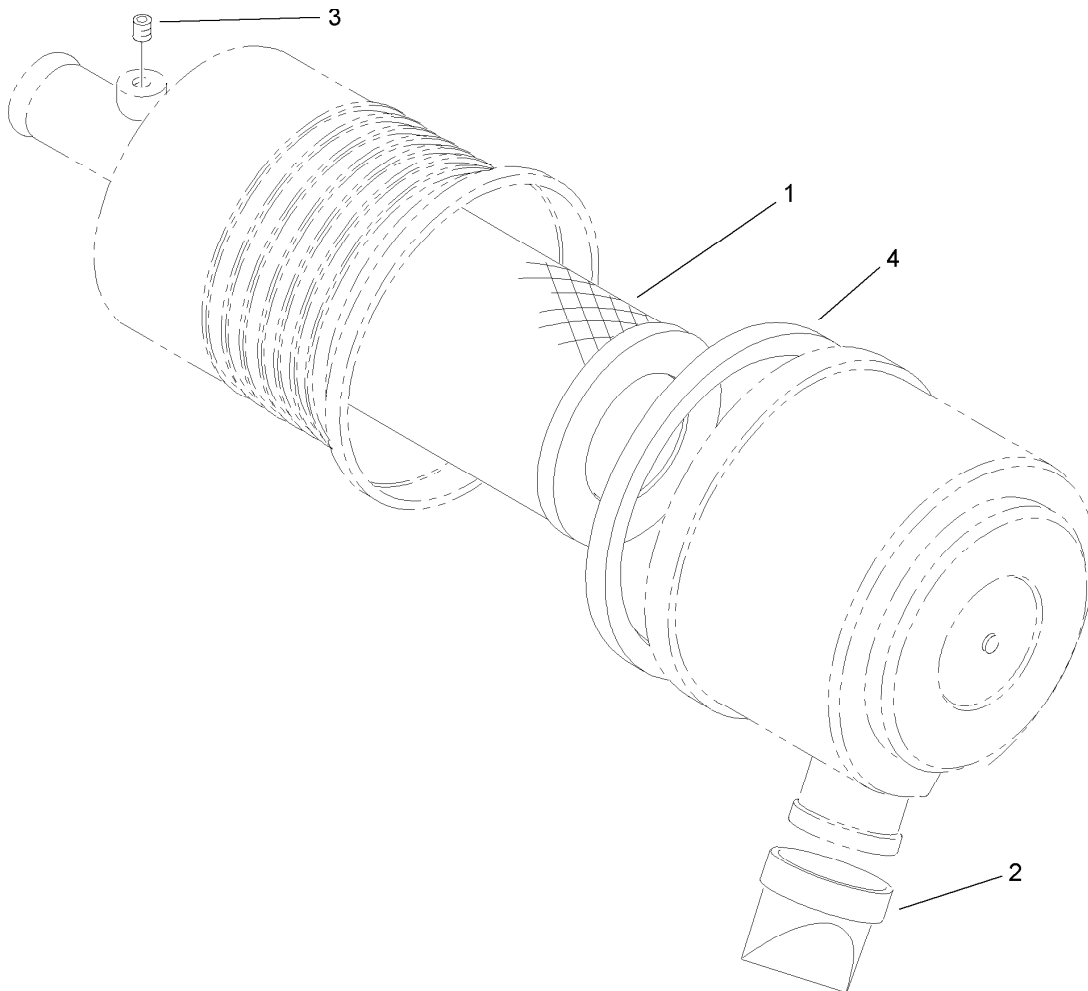
## Roll-Over Protection System Assembly

<i>Ref.</i>	<i>Part Number</i>	<i>Qty.</i>	<i>Description</i>
1	3230-18	8	Screw-CARR
2	105-7960	1	Bed Support ASM
2:2	93-9852	1	Decal-Warning
2:3	92-5972	4	Grommet-Rubber
3	115-7910	1	ROPS ASM
3:2	106-7767	2	Decal-ROPS
3:3	93-9850	1	Decal-ROPS, Ce
3:4	117-4969	1	Decal-ROPS, Iso
4	104-7050	1	Tube-Manual
5	2412-133	2	R-Clamp
8	115-2213	1	ROPS Cover ASM
8:2	105-4215	1	Decal-Caution
9	32128-20	8	Nut-HF
10	104-7048	1	Cap-Housing
11	3234-38	6	Screw-HHF



## Air Cleaner Assembly

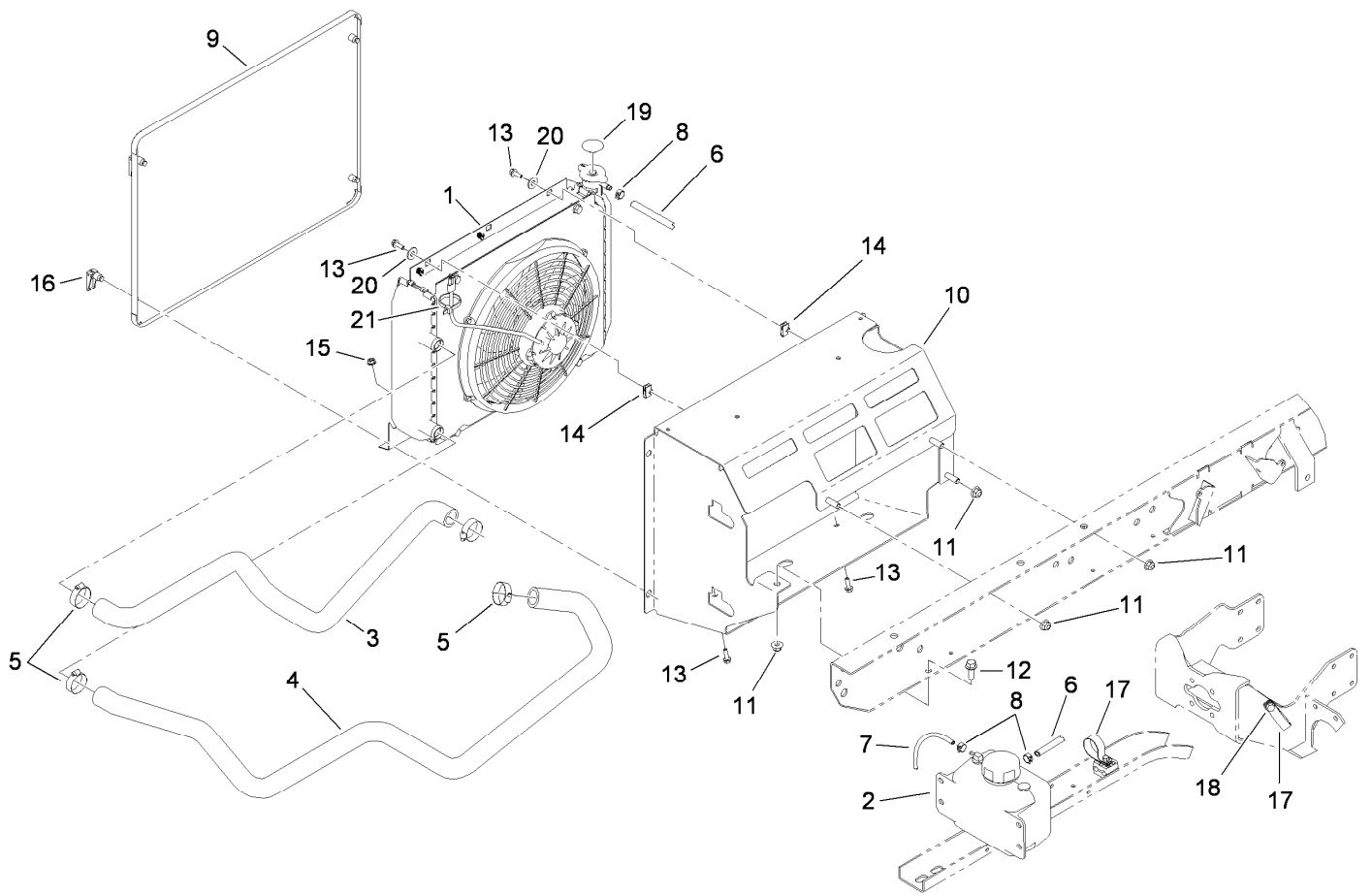
<i>Ref.</i>	<i>Part Number</i>	<i>Qty.</i>	<i>Description</i>
1	95-5806	1	Bracket-Mounting
2	107-7962	1	Hose-Cleaner, Air
3	46-7510	1	Hood-Inlet, Air
4	106-2416	1	Air Cleaner ASM
5	2412-92	4	Clamp-Hose
7	115-7755	1	Hose-Air Intake, Diesel
9	3234-36	2	Screw-HHF
10	104-8300	2	Nut-Flange, NI



## Air Cleaner Assembly No. 106-2416

<i>Ref.</i>	<i>Part Number</i>	<i>Qty.</i>	<i>Description</i>
1	108-3811	1	Filter-Air
2	104-0498	1	Valve-Vacuator
3	285-17	1	Plug-Pipe
4	106-6748	1	Gasket

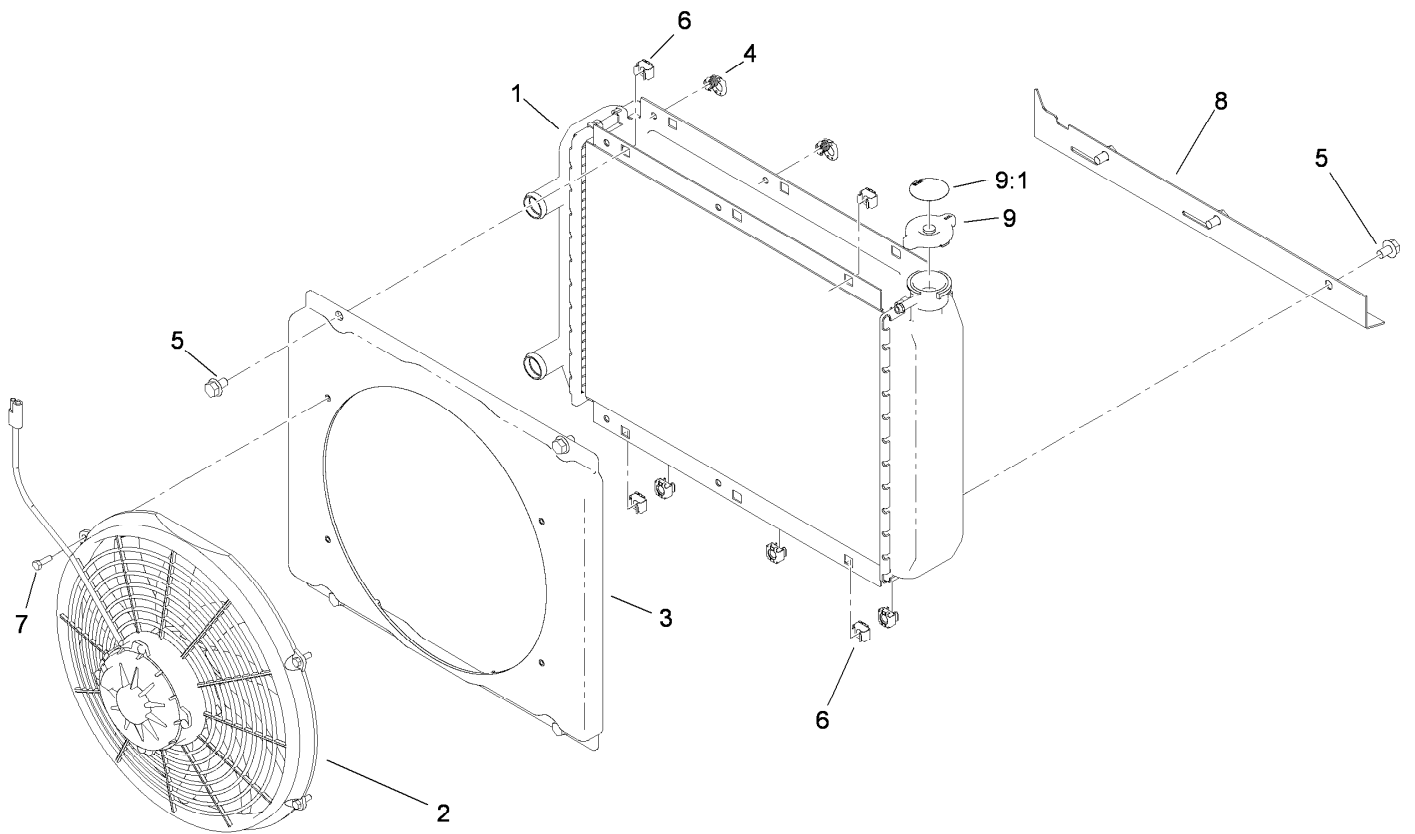




## Cooling System Assembly

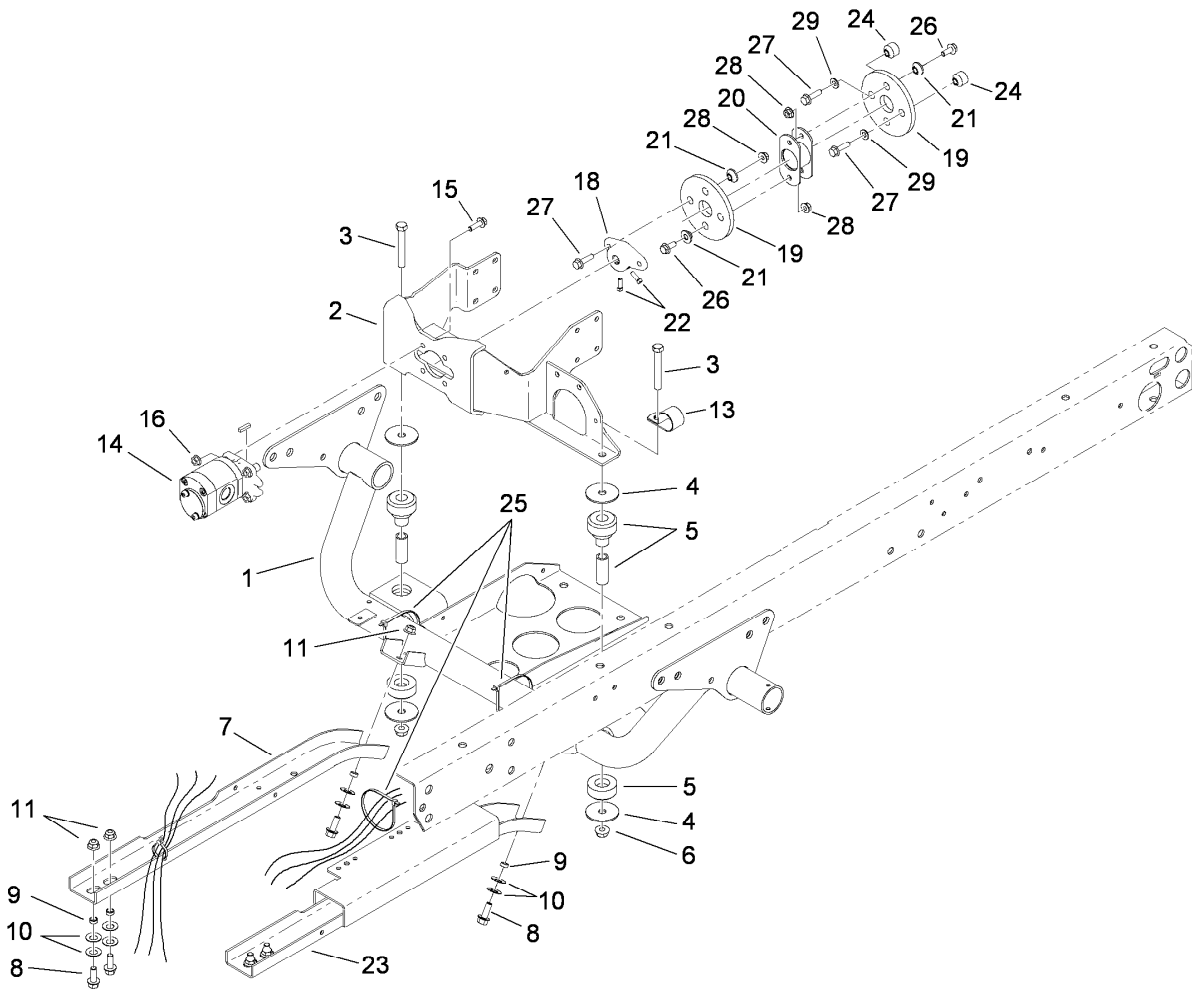
Ref.	Part Number	Qty.	Description
1		1	Radiator ASM ●
2	87-3710	1	Reservoir-Coolant
3	115-7753	1	Hose-Coolant, Upper
4	115-7752	1	Hose-Coolant, Lower
5	2412-34	4	Clamp-Hose
6	93-5540	1	Hose
7	110-4104	1	Hose-Fuel
8	92-2379	3	Clamp-Hose
9	115-2428-03	1	Screen-Radiator
10	115-2434	1	Radiator Mount ASM
11	104-8301	4	Nut-Flange, NI
12	3234-11	1	Screw-HHF
13	3234-4	4	Screw-HHF
14	107069	2	Clip
15	32128-33	2	Nut-HF
16	74-5950	4	Latch-Swell
17	2412-74	2	R-Clamp
18	32144-11	1	Screw-HWHTF
19	106-6755	1	Decal-Cap, Radiator
20	3256-3	2	Washer-Flat
21	3290-379	1	Tie-Cable

● Not serviced separately



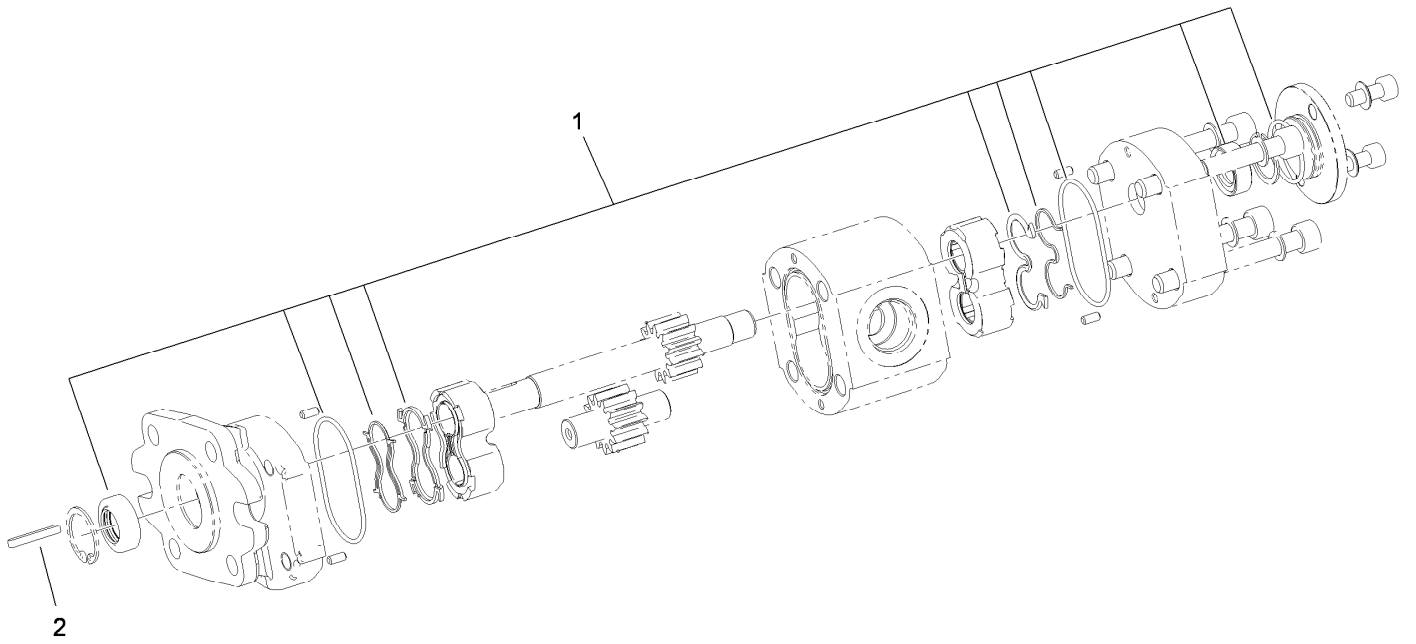
## Radiator Assembly

<i>Ref.</i>	<i>Part Number</i>	<i>Qty.</i>	<i>Description</i>
1	114-8384	1	Radiator
2	114-8385	1	Fan-Electric
3	114-8386	1	Shroud
4	114-8387	2	Latch-Spring
5	3234-30	7	Screw-HHF
6	703856	7	Nut-Sq, Caged
7	60-6910	4	Screw
8	115-7765	1	Plate-Mount, Lower
9	115-7766	1	Cap-Radiator
9:1	106-6755	1	Decal-Cap, Radiator



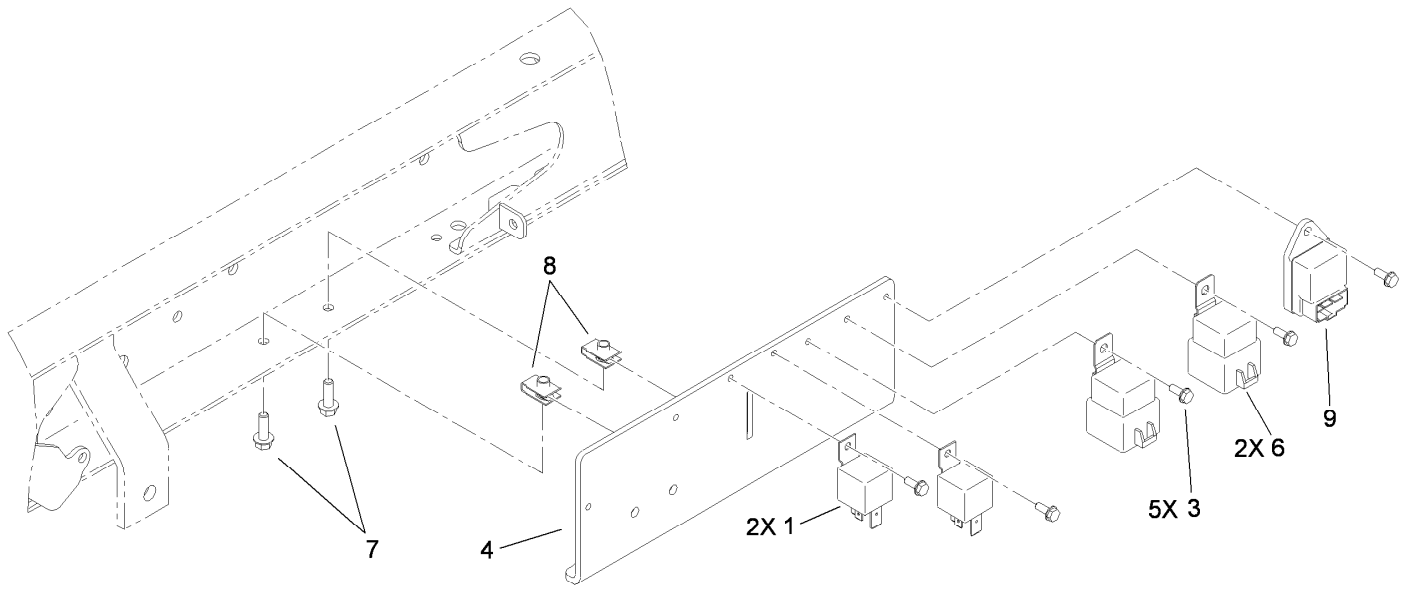
## Engine Support Assembly

<i>Ref.</i>	<i>Part Number</i>	<i>Qty.</i>	<i>Description</i>	<i>Ref.</i>	<i>Part Number</i>	<i>Qty.</i>	<i>Description</i>
1	115-2256-03	1	Engine Support ASM	16	32128-20	4	Nut-HF
2	114-8443-03	1	Pump/Engine Mount ASM	18	115-2169	1	Hub-Pump
3	324-13	2	Screw-HH	19	115-5129	2	Coupling-Rubber
4	87-5100	4	Washer-Snubbing	20	85-8770	1	Coupling
5	106-7865	2	Engine Mount ASM	21	27-6600	6	Spacer-Coupling
6	114-8417	2	Nut-HF, NI	22	3241-6	2	Screw-SQH
7	87-4730-03	1	Guard-Belly	23	115-2215-03	1	Guard-LH
8	3234-11	6	Screw-HHF	24	27-6590	2	Spacer-Coupling, Rubber
9	76-9100	6	Spacer-Speed, Reel	25	3290-379	4	Tie-Cable
10	3290-413	12	Washer-Belleville	26	98-7977	4	Screw-HHF
11	104-8301	6	Nut-Flange, NI	27	33104-030	4	Screw-HHF
13	2412-82	1	Clamp	28	98-0668	6	Nut
14	114-8302	1	Pump-HYD, Main	29	105-5769	2	Washer
15	3234-17	4	Screw-HHF				



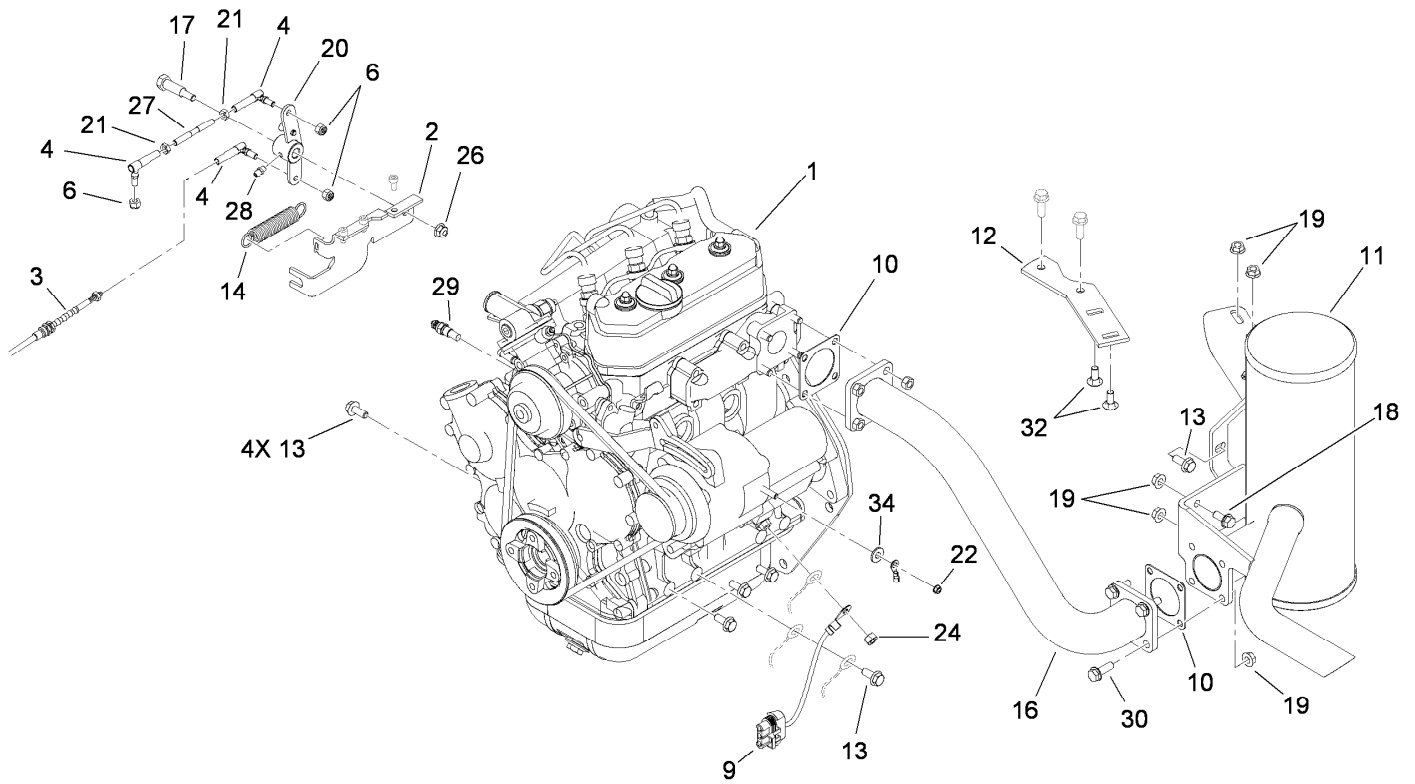
## Hydraulic Gear Pump Assembly No. 114-8302

<i>Ref.</i>	<i>Part Number</i>	<i>Qty.</i>	<i>Description</i>
1	115-8696	1	Seal Kit
2	115-7855	1	Key-Square



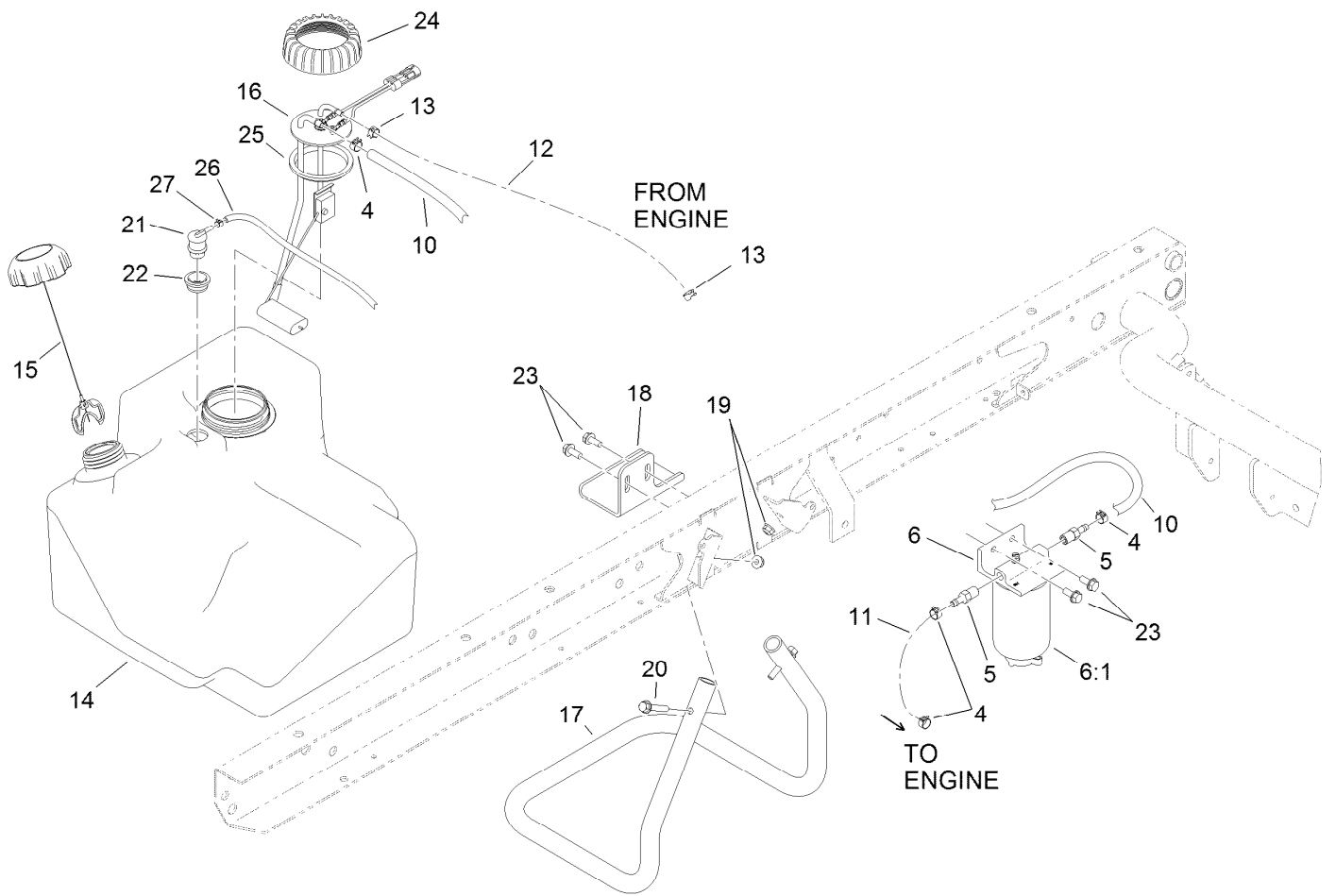
## Relay Assembly

<i>Ref.</i>	<i>Part Number</i>	<i>Qty.</i>	<i>Description</i>
1	99-7435	2	Relay-Power
3	32144-112	5	Screw-HWH
4	115-2225	1	Bracket-Relay
6	99-7430	2	Relay
7	3234-4	2	Screw-HHF
8	107069	2	Clip
9	115-2292	1	Timer-Glow Plug



## Engine Assembly

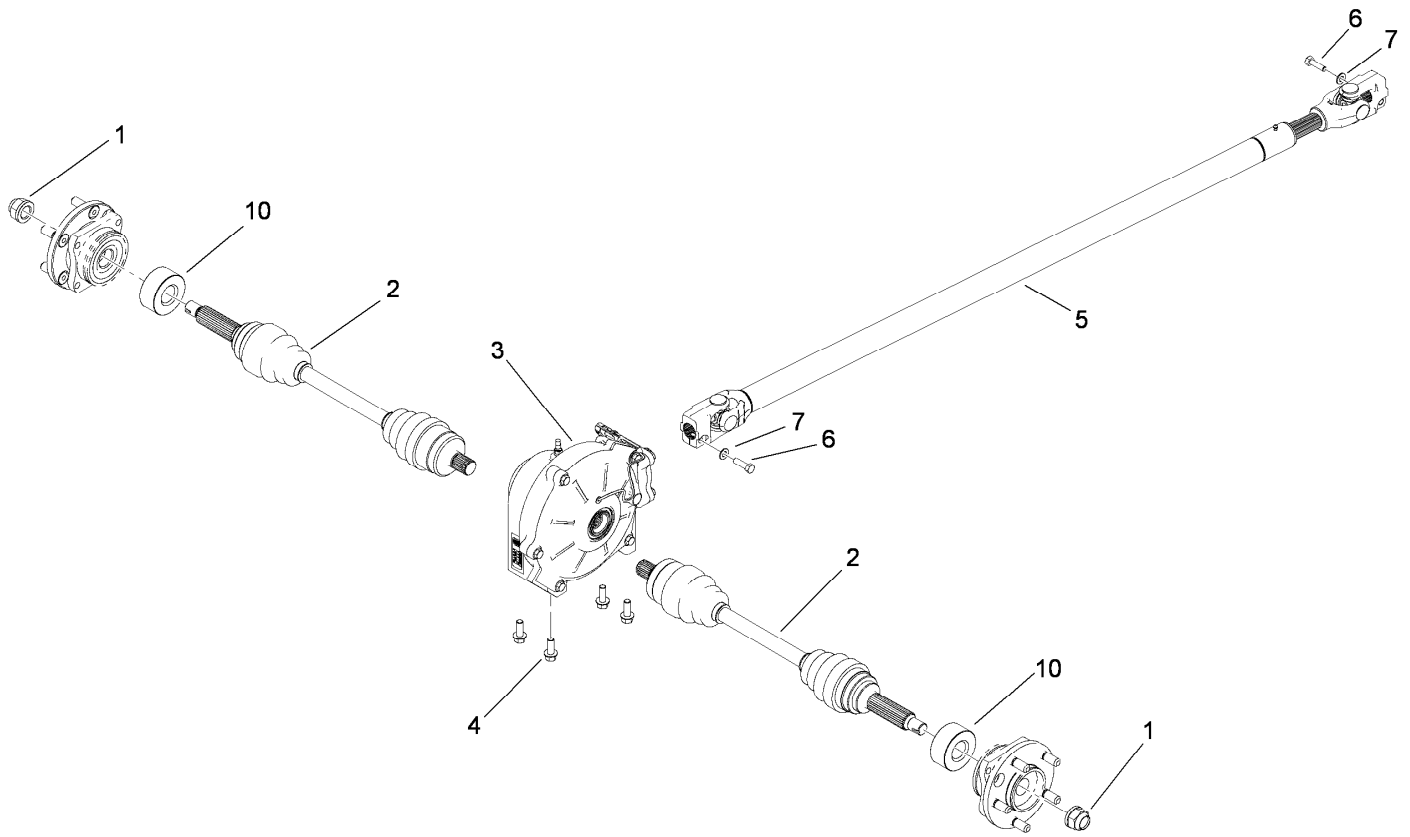
<i>Ref.</i>	<i>Part Number</i>	<i>Qty.</i>	<i>Description</i>	<i>Ref.</i>	<i>Part Number</i>	<i>Qty.</i>	<i>Description</i>
1	114-8320	1	Engine ASM	18	3234-5	2	Screw-HHF
2	106-2403	1	Bracket-Throttle, Diesel	19	32128-20	8	Nut-HF
3	115-2285	1	Cable-Accelerator	20	115-2425	1	Bell Crank ASM
4	18-1720	3	Governor Ball Joint ASM	21	3220-1	2	Nut-Jam
6	3296-3	3	Nut-Lock	22	33003-00	1	Nut-HF
9	99-3441	1	Harness-Wire, Fusible Link	24	33014-00	1	Nut-Hex
10	105-4209	2	Gasket-Muffler	26	104-8300	1	Nut-Flange, NI
11	115-7725	1	Muffler	27	105-1789	1	Rod-Threaded
12	105-9472	1	Plate-Mount, Muffler	28	302-5	1	Fitting-Grease
13	98-7977	9	Screw-HHF	29	94-7621	1	Sender-Temperature
14	86-4760	1	Spring-Extension	30	3234-17	4	Screw-HHF
16	108-3066	1	Exhaust Tube ASM	32	3230-1	2	Bolt-CARR
17	7-0030	1	Screw-Shoulder, HH	34	3256-2	1	Washer-Flat



## Fuel System Assembly

Ref.	Part Number	Qty.	Description
4	92-2379	4	Clamp-Hose
5	353-783	2	Fitting-Straight
6	110-9044	1	Filter-Seperator
6:1	110-9049	1	Filter-Spin On
10	110-8802	1	Hose-Fuel
11	110-4112	1	Hose-Fuel
12	110-1872	1	Hose-Fuel
13	2412-98	2	Clamp-Hose
14	115-7700	1	Tank-Fuel
15	115-7789	1	Cap-Fuel, Diesel
16	114-8348	1	Sender-Fuel

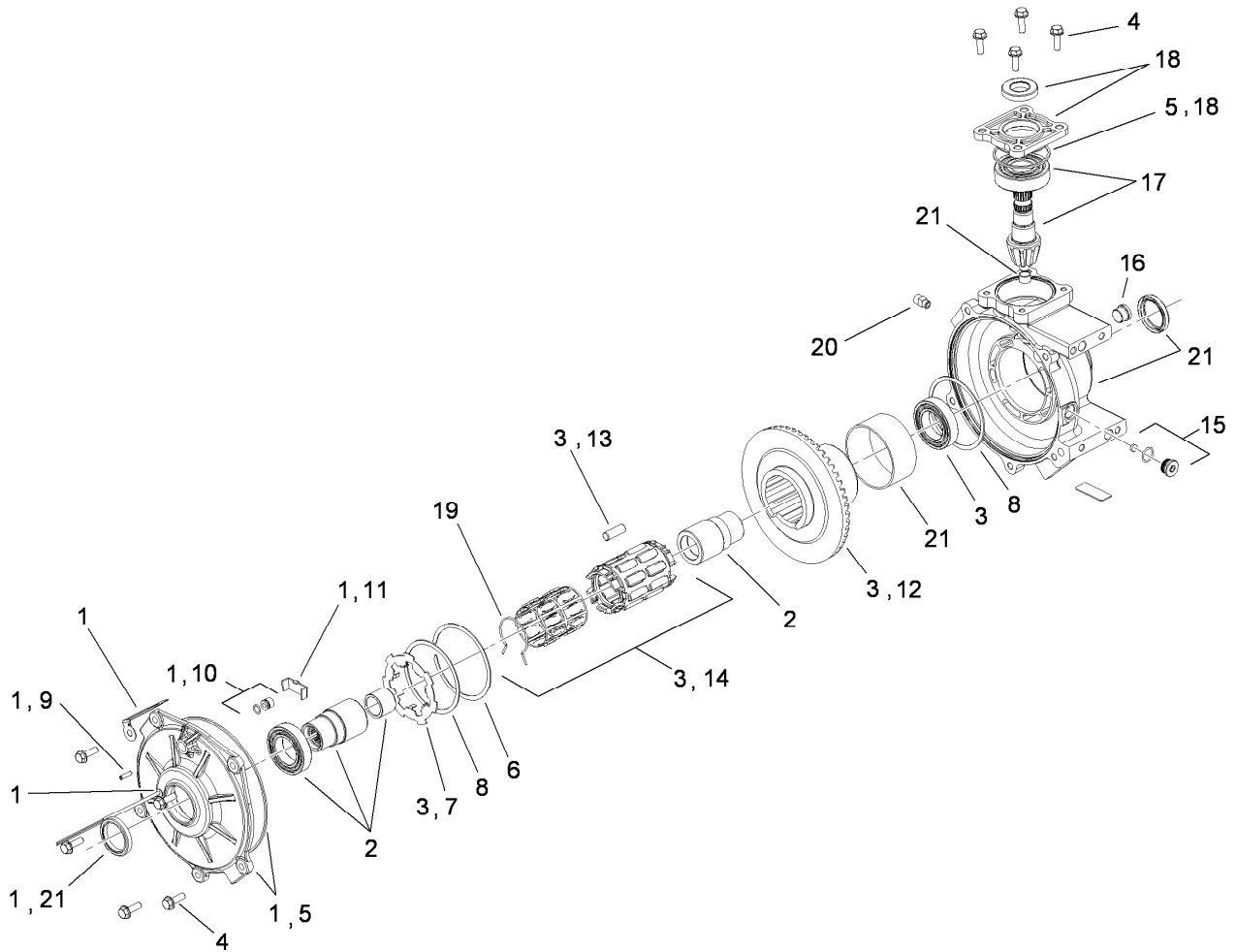
Ref.	Part Number	Qty.	Description
17	115-7767-03	1	Tube-Support
18	114-8404	1	Plate-Retainer
19	104-8300	2	Nut-Flange, NI
20	94-5780	2	Screw-HWH
21	114-0285	1	Valve-Rollover
22	114-0284	1	Grommet
23	32144-11	4	Screw-HWHTF
24	115-2162	1	Cap-Pump, Fuel
25	115-2163	1	Gasket-Pump, Fuel
26	110-8255	1	Hose-Fuel
27	2412-146	1	Clamp-Hose



## 4 Wheel Drive Assembly

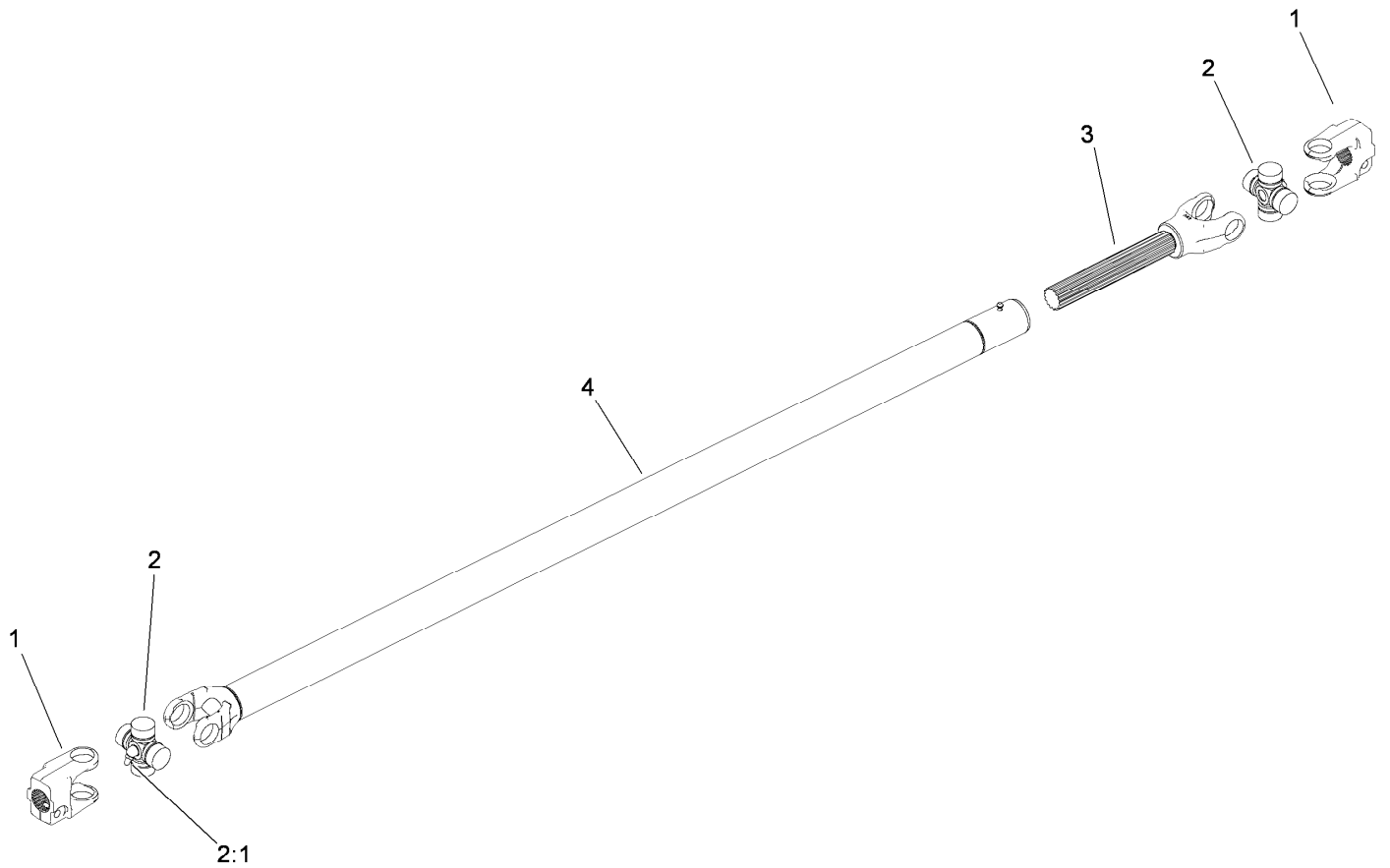
<i>Ref.</i>	<i>Part Number</i>	<i>Qty.</i>	<i>Description</i>
1	115-2164	2	Nut-Spindle
2	115-2172	2	Cv Axle ASM
3	115-2170	1	Differential ASM
4	3234-11	4	Screw-HHF
5	115-2171	1	Driveshaft ASM
6	3210-6	2	Screw-HH
7	3256-23	2	Washer-Flat
10	115-2254	2	Spacer-Axle





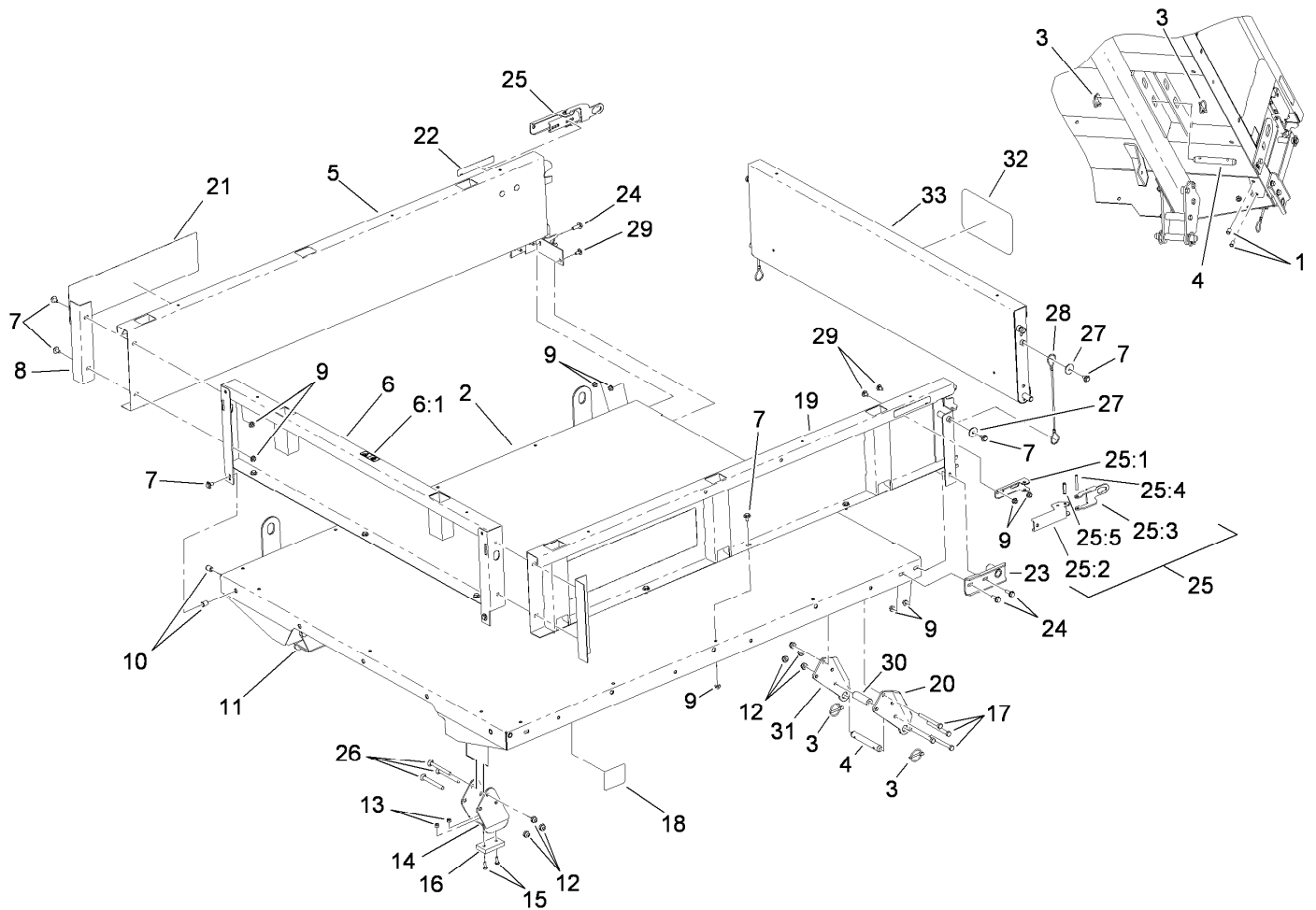
## Differential Assembly No. 115-2170

<i>Ref.</i>	<i>Part Number</i>	<i>Qty.</i>	<i>Description</i>
1	115-7790	1	Output Cover ASM
2	115-7791	1	Output Hub ASM
3	115-7792	1	Clutch ASM
4	115-7793	1	Bolt Kit
5	115-7794	1	Seal Kit
6	115-7795	1	Ring-Retaining, Internal
7	115-7796	1	Plate-Armature, Notched
8	115-7797	1	Shim
9	115-7798	1	Screw-Set
10	115-7799	1	Thrust Button ASM
11	115-7800	1	Plate-Thrust
12	115-7801	1	Gear-Ring, 50T
13	115-7802	1	Roll Kit
14	115-7803	1	Roll Cage ASM
15	115-7804	1	Drain Plug ASM
16	115-7805	1	Plug-Oil, Fill
17	115-7806	1	Shaft-Pinion, 9T
18	115-7807	1	Cover-Input
19	115-7808	1	Spring-Torsion
20	117-4985	1	Vent-Protected
21	115-7810	1	Gearcase ASM



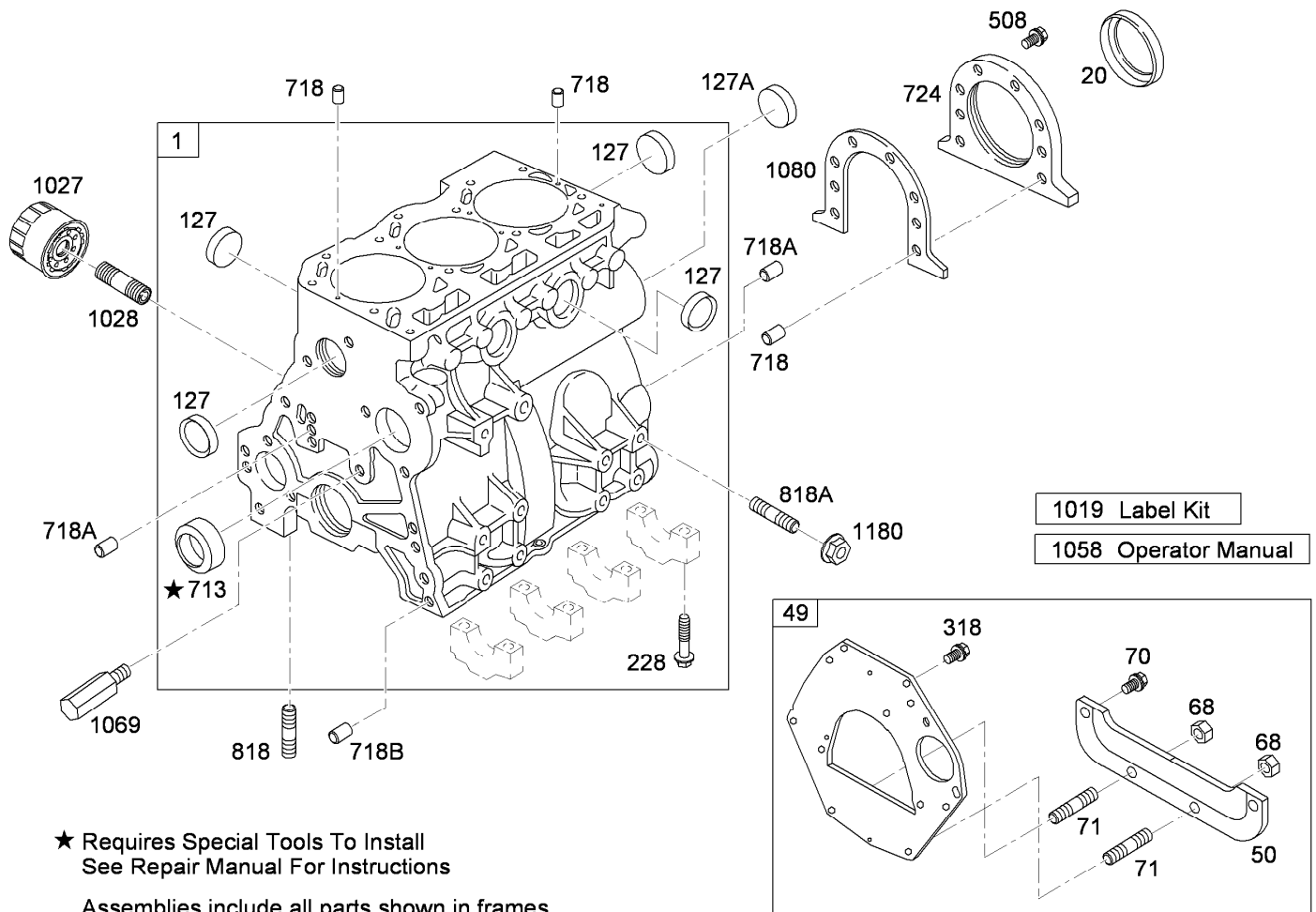
## Drive Shaft Assembly No. 115-2171

<i>Ref.</i>	<i>Part Number</i>	<i>Qty.</i>	<i>Description</i>
1	115-7707	2	Yoke
2	54-9180	2	U-Joint Kit
2:1	62-3820	1	Fitting-Grease
3	115-7708	1	Yoke And Shaft
4	115-7709	1	Yoke, Tube And Slip Sleeve ASM



## Full Bed and Side Panel Assembly

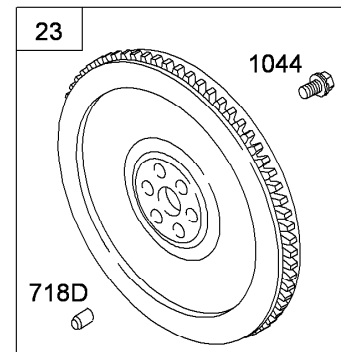
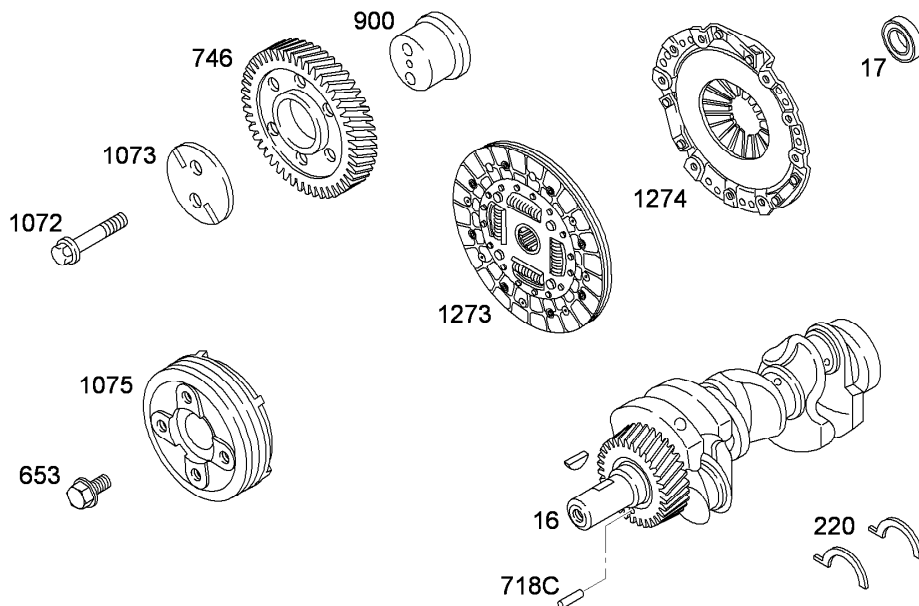
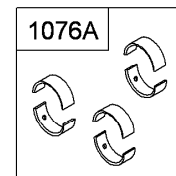
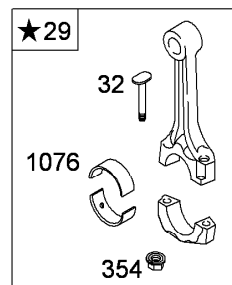
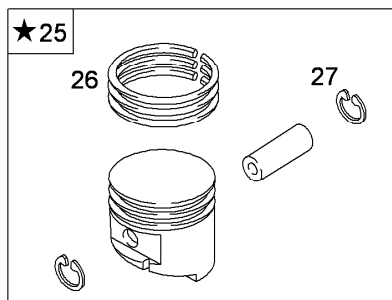
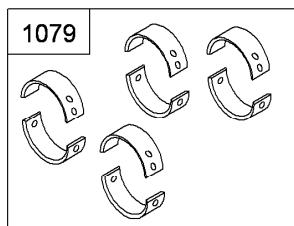
Ref.	Part Number	Qty.	Description	Ref.	Part Number	Qty.	Description
1	32148-6	4	Insert-Nut	20	93-9720-03	2	Bracket-Pivot, Long (LH)
2	93-9724-03	1	Flatbed-Full	21	115-7917	2	Decal
3	92-1298	8	Pin-Lynch	22	93-9868	2	Decal-Caution
4	92-1233	4	Pin-Clevis	23	92-1265-03	2	Bracket-Pivot
5	92-1255-03	1	RH Side Panel ASM	24	3234-29	6	Screw-HHF
6	92-5982	1	Front Panel ASM	25	99-1123	2	Latch ASM
6:1	115-7739	1	Decal-No Riders	25:1	92-1271	1	Pivot-Latch
7	3234-7	21	Screw-HHF	25:2	99-1113	1	Handle-Latch
8	92-1320-03	2	Angle-Side	25:3	99-1112	1	Plate-Retainer
9	32128-20	27	Nut-HF	25:4	32121-78	1	Pin-Roll
10	32148-7	4	Nut-Insert	25:5	32121-25	1	Pin-Roll
11	106-2423-03	1	RH Spacer Bracket ASM	26	3231-24	6	Screw-CARR
12	3296-44	14	Nut-Lock, NI	27	3256-57	4	Washer-Flat
13	3296-42	4	Nut-Lock, NI	28	93-9595	2	Lanyard
14	106-2422-03	1	LH Spacer Bracket ASM	29	3230-18	6	Screw-CARR
15	3250-45	4	Screw-SPH	30	93-9575	2	Tube-Pivot, Flatbed
16	93-9719	2	Block-Wear	31	93-9721-03	2	Bracket-Pivot, Long (RH)
17	323-42	8	Screw-HH	32	105-4222	1	Decal
18	93-9899	2	Decal-Warning	33	92-1259-03	1	Tailgate-Rear
19	92-1248-03	1	LH Side Panel ASM				



## Cylinder Assembly

Ref.	Part Number	Qty.	Description
1	107-9891	1	Cylinder Asm (9Mm Head Bolts)
20	99-9003	1	Seal-Oil (PTO Side)
49	115-2310	1	Backing Plate ASM
50	115-2309	1	Plate-Shield, End
68	99-9114	1	Nut-Hex, Metric (Water Plate Seal)
70	115-2307	1	Screw (Water Plate Seal)
71	115-2306	1	Stud (Water Plate Seal)
127	99-9008	1	Plug-Welch
127A	107-9892	1	Plug-Welch (Cam)
228	99-9006	1	Screw-Hex (Crankshaft Bearing Cap)
318	99-9005	1	Screw-Hex (Back Plate)
508	99-9004	1	Screw-Hex (Seal Retainer)

Ref.	Part Number	Qty.	Description
713	99-9002	1	Bushing
718	99-9012	1	Pin-Locating
718A	99-9013	1	Pin-Locating
718B	99-9014	1	Pin-Locating
724	99-9022	1	Retainer-Seal
818	99-9007	1	Stud-Metric
818A	99-9221	1	Stud-Standard
1019	110-2595	1	Label Kit
1027	108-3842	1	Filter-Oil
1028	105-9337	1	Adapter-Filter, Oil
1058	99-9602	1	Manual-Owners
1069	99-9020	1	Nozzle-Oil
1080	99-9021	1	Gasket-Retainer
1180	99-9176	1	Nut-Hex



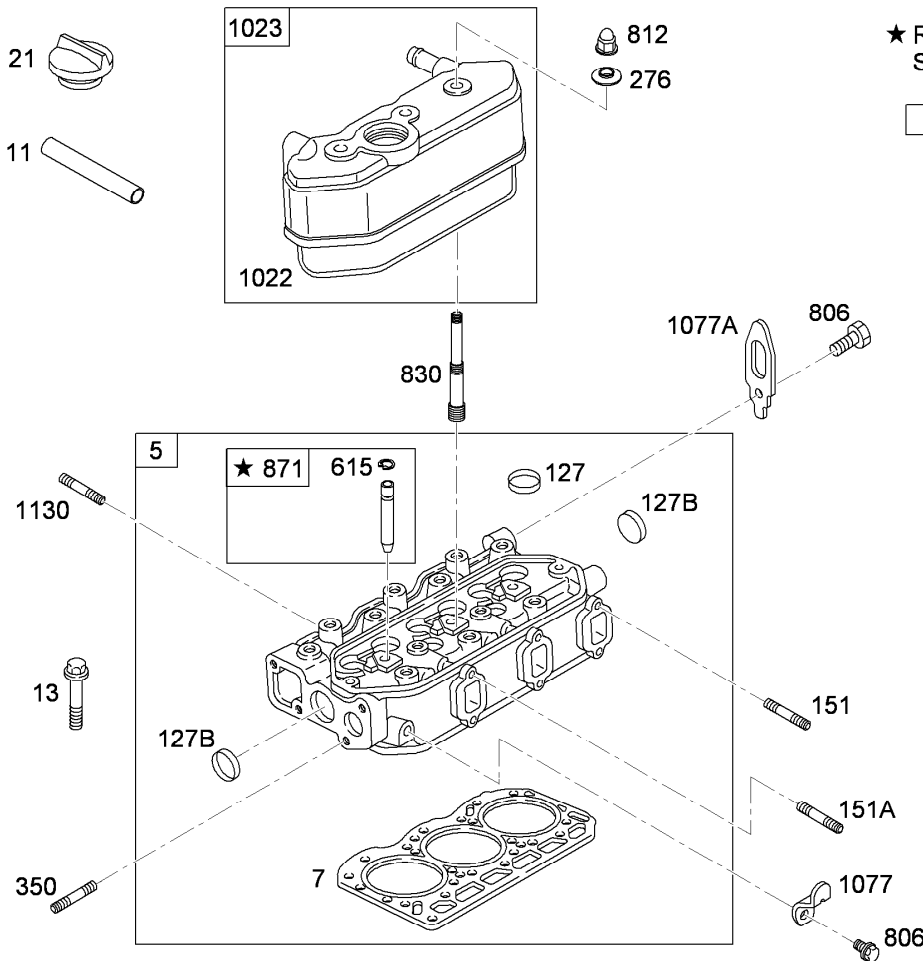
★ Requires Special Tools To Install  
See Repair Manual For Instructions

Assemblies include all parts shown in frames

## Crankshaft Assembly

Ref.	Part Number	Qty.	Description
16	105-9339	1	Crankshaft
17	105-9324	1	Bearing-Ball, Radial
23	105-9323	1	Flywheel ASM
25	107-9895	1	Piston ASM
25	107-9896	1	Piston ASM (Oversize)
26	105-9340	1	Ring Set
26	99-9269	1	Ring Set (.010 Oversized)
27	99-9607	1	Lock-Pin, Piston
29	117-8838	1	Rod-Connecting
32	99-9030	1	Screw
220	99-9035	1	Shim-Endplay
220	99-9036	1	Shim-Endplay (.005 Oversized)
354	99-9034	1	Nut-Hex
653	107-9897	1	Screw-Hex
718C	99-9037	1	Pin-Locating

Ref.	Part Number	Qty.	Description
718D	106-1852	1	Pin-Locating
746	99-9609	1	Gear-Drive
900	99-9039	1	Shaft-Gear
1044	99-9031	1	Screw-Hex
1072	99-9032	1	Screw-Hex
1073	99-9040	1	Plate-Gear, Idler
1075	99-9041	1	Pulley-Crankshaft
1076	99-9043	1	Rod Bearing Set
1076A	99-9043	1	Rod Bearing Set
1076A	99-9044	1	Rod Bearing Set (.010 Undersized)
1079	99-9045	1	Main Bearing Set (Set Of 8)
1079	99-9046	1	Main Bearing Set (.010 Undersized)
1273	104-9219	1	Disc-Clutch
1274	104-9231	1	Plate-Pressure, Clutch



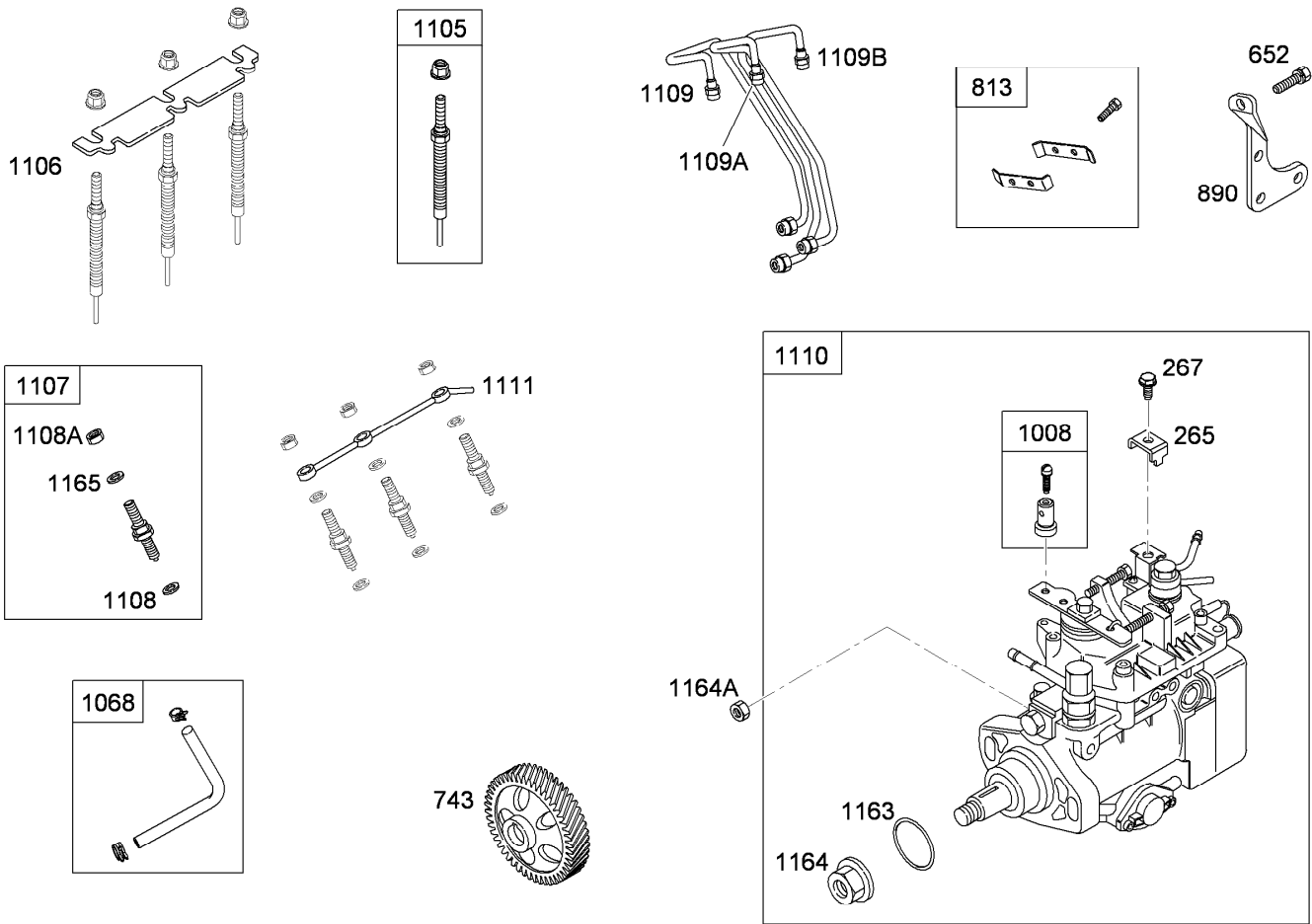
★ Requires Special Tools To Install  
See Repair Manual For Instructions

1036 Emission Label Kit

Assemblies include all parts shown in frames

## Cylinder Head Assembly

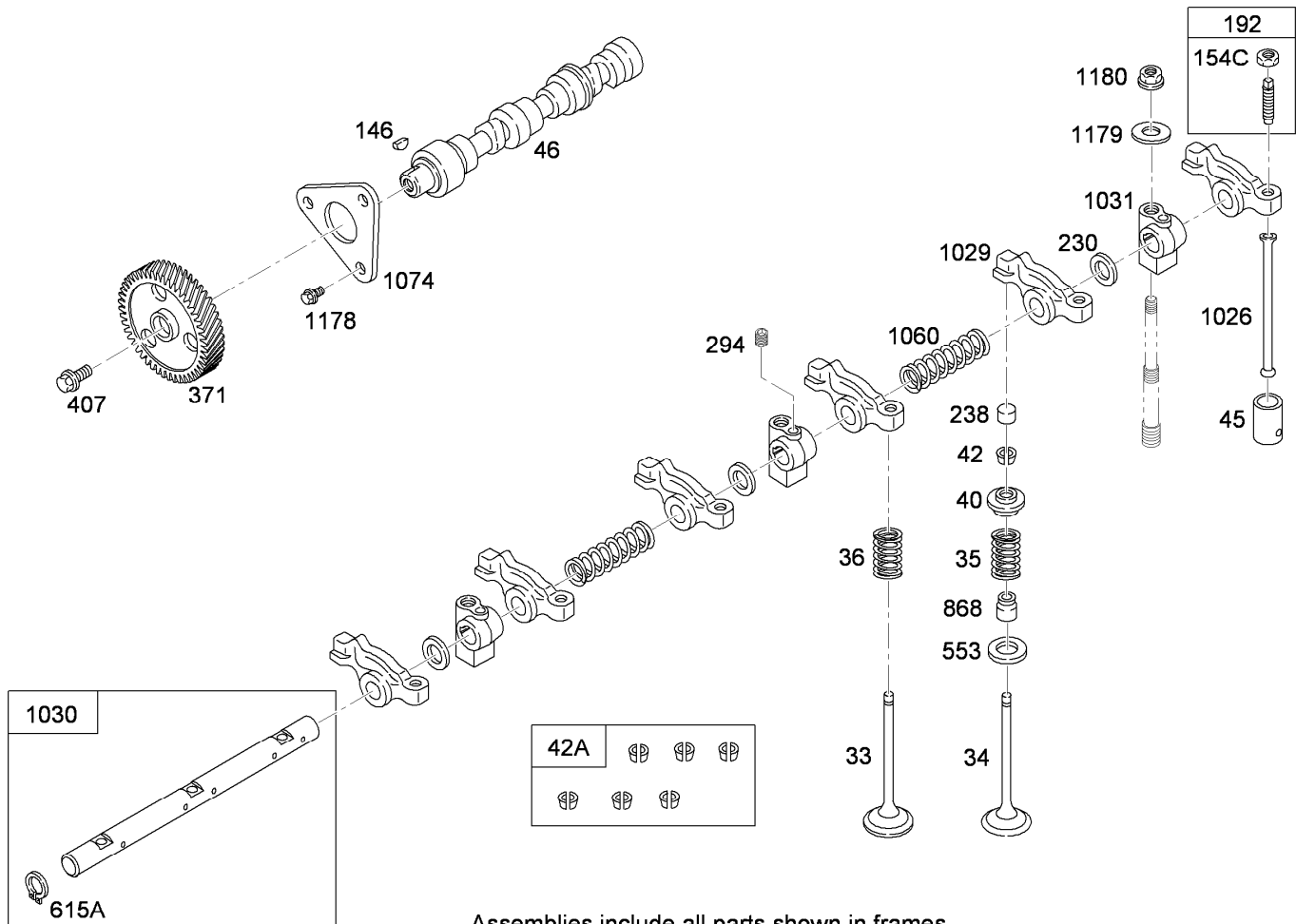
Ref.	Part Number	Qty.	Description
5	110-2596	1	Head-Cylinder
7	107-9898	1	Gasket-Head, Cylinder
11	105-9342	1	Tube-Breather
13	99-9614	1	Screw-Metric (Cylinder Head)
21	99-9052	1	Cap-Fill, Oil
127	99-9060	1	Plug-Welch
127B	99-9008	1	Plug-Welch
151	99-9058	1	Stud-Metric (Exhaust Manifold)
151A	99-9059	1	Stud-Metric (Exhaust Manifold)
276	99-9063	1	Washer-Seal (Rocker Cover)
350	99-9057	1	Stud-Metric (Water Pump)
615	99-9067	1	Retainer (Valve Guide Bushing)
806	99-9054	1	Screw-Hex (Lifting Bracket)
812	99-9061	1	Nut-Hex, Metric (Rocker Cover)
830	99-9101	1	Stud (Rocker Cover)
871	99-9070	1	Bushing-Guide
1022	99-9073	1	Gasket-Cover, Rocker
1023	100-6402	1	Cover-Rocker
1036	99-9615	1	Emission Label Kit
1077	99-9076	1	Bracket-Lifting
1077A	99-9077	1	Bracket-Lifting
1130	99-9055	1	Stud-Metric (Intake Manifold )



Assemblies include all parts shown in frames

## Injection Pump Assembly

Ref.	Part Number	Qty.	Description
265	99-9688	1	Clamp-Casing
267	100-6403	1	Screw-Metric (Casing Clamp)
652	99-9616	1	Screw-Hex (Support Bracket)
743	99-9624	1	Gear-Drive
813	99-9625	1	Clamp
890	99-9626	1	Bracket-Support
1008	99-9628	1	Clamp-Swivel
1068	99-9629	1	Hose / Clamp ASM
1105	114-4695	1	Plug-Glow
1106	99-9631	1	Strap-Plug, Glow
1107	114-4696	1	Injection Nozzle
1108	99-9633	1	Seat-Injector
1108A	105-9343	1	Seat-Injector
1109	99-9690	1	Pipe-Injector, No. 1
1109A	99-9634	1	Pipe-Injector, No. 2
1109B	99-9635	1	Pipe-Injector, No. 3
1110	115-2294	1	Pump-Injection
1111	99-9637	1	Pipe-Return, Fuel
1163	99-9618	1	O-Ring (Injection Pump Shaft)
1164	99-9619	1	Nut-Hex, Metric (Injection Pump Shaft)
1164A	99-9620	1	Nut-Hex, Metric (Injection Pump)
1165	105-9345	1	Nut (Injector Nozzle)

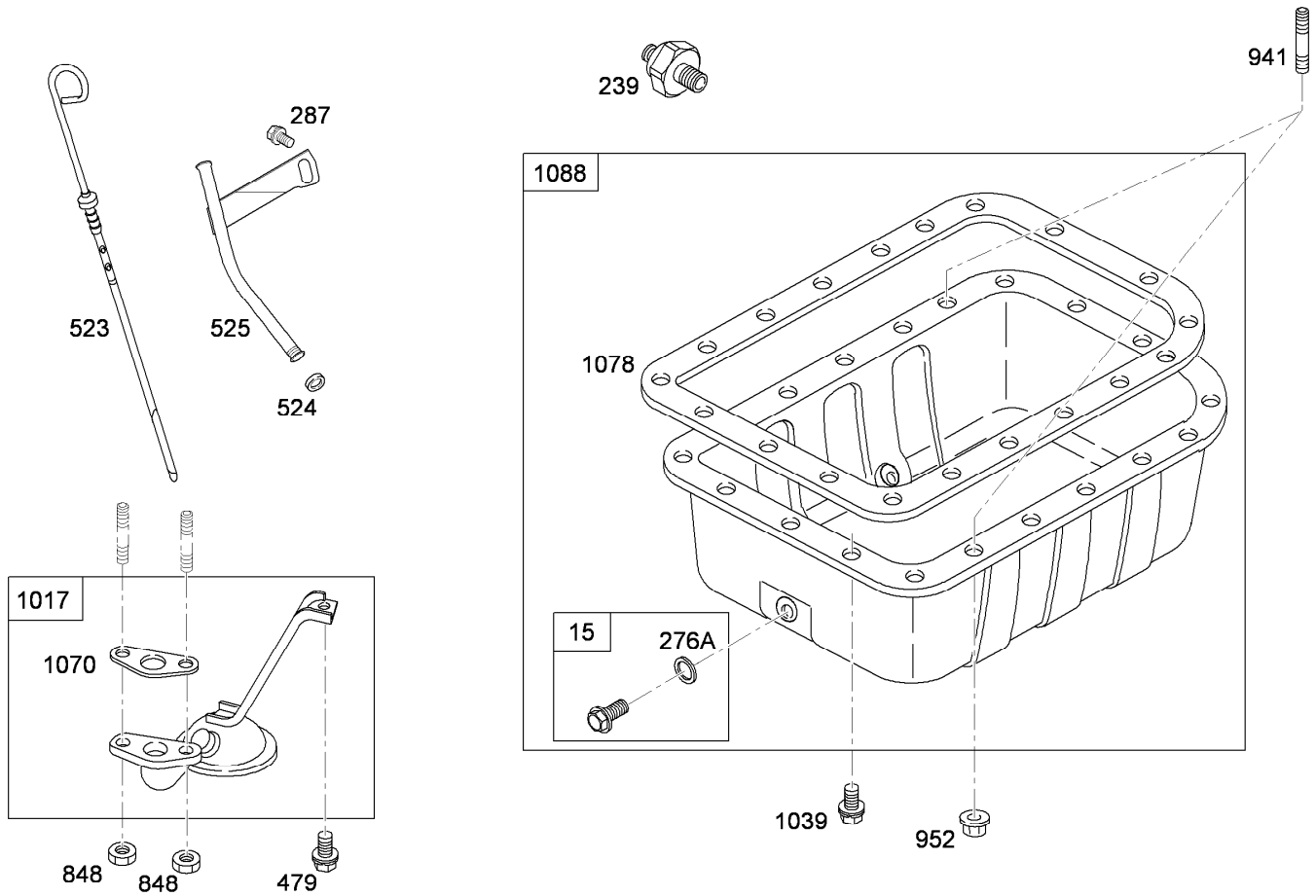


Assemblies include all parts shown in frames

## Camshaft Assembly

Ref.	Part Number	Qty.	Description	Ref.	Part Number	Qty.	Description
33	99-9638	1	Valve-Exhaust	371	99-9641	1	Gear-Cam
34	99-9639	1	Valve-Intake	407	99-9085	1	Screw-Metric
35	99-9640	1	Spring-Valve (Intake)	553	99-9096	1	Seat-Spring, Valve
36	99-9640	1	Spring-Valve (Exhaust)	615A	99-9099	1	Retainer (Rocker Arm Shaft)
40	99-9084	1	Retainer-Valve	868	99-9643	1	Seal-Valve
42	99-9086	1	Keeper-Valve (Set)	1026	112-2980	1	Rod-Push
42A	99-9087	1	*obs* Keeper-Valve (Set Of 6)	1029	99-9104	1	Arm-Rocker
45	99-9088	1	Tappet-Valve	1030	99-9106	1	Shaft-Arm, Rocker
46	99-9097	1	Shaft-Cam	1031	99-9107	1	Support-Arm, Rocker
146	99-9675	1	Key-Timing	1060	99-9108	1	Spring-Shaft, Rocker
154C	99-9091	1	Nut-Hex, Metric	1074	99-9109	1	Retainer-Camshaft
192	112-2978	1	Adjuster-Arm, Rocker	1178	99-9083	1	Screw-Hex (Camshaft Retainer)
230	99-9093	1	Washer-Spacer (Rocker Arm Shaft)	1179	99-9079	1	Washer-Flat (Rocker Arm Support)
238	112-2979	1	Cap-Valve	1180	99-9091	1	Nut-Hex, Metric (Rocker Arm Support)
294	99-9090	1	Screw-Metric (Rocker Arm Support)				

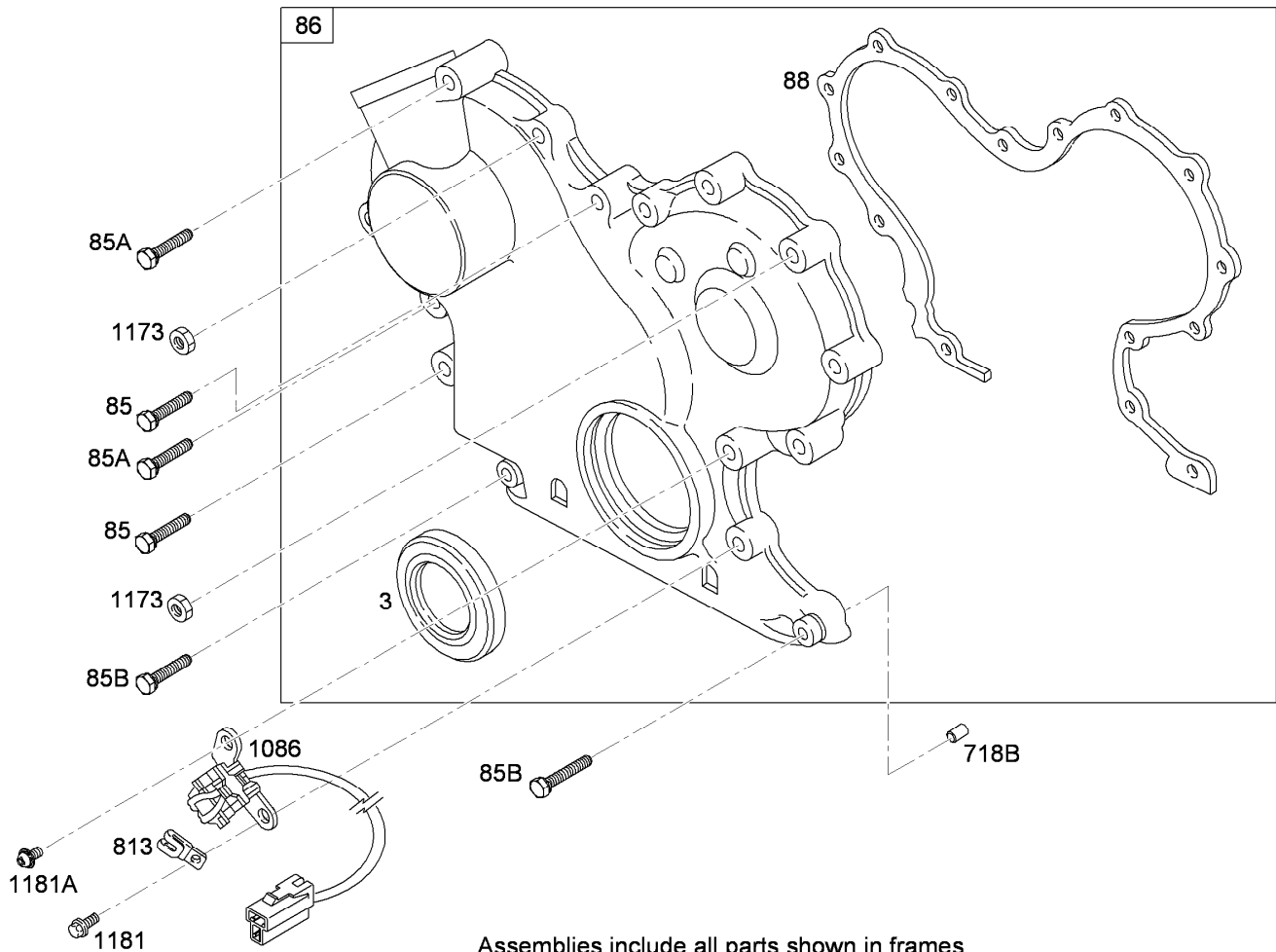




Assemblies include all parts shown in frames

## Oil Pan Assembly

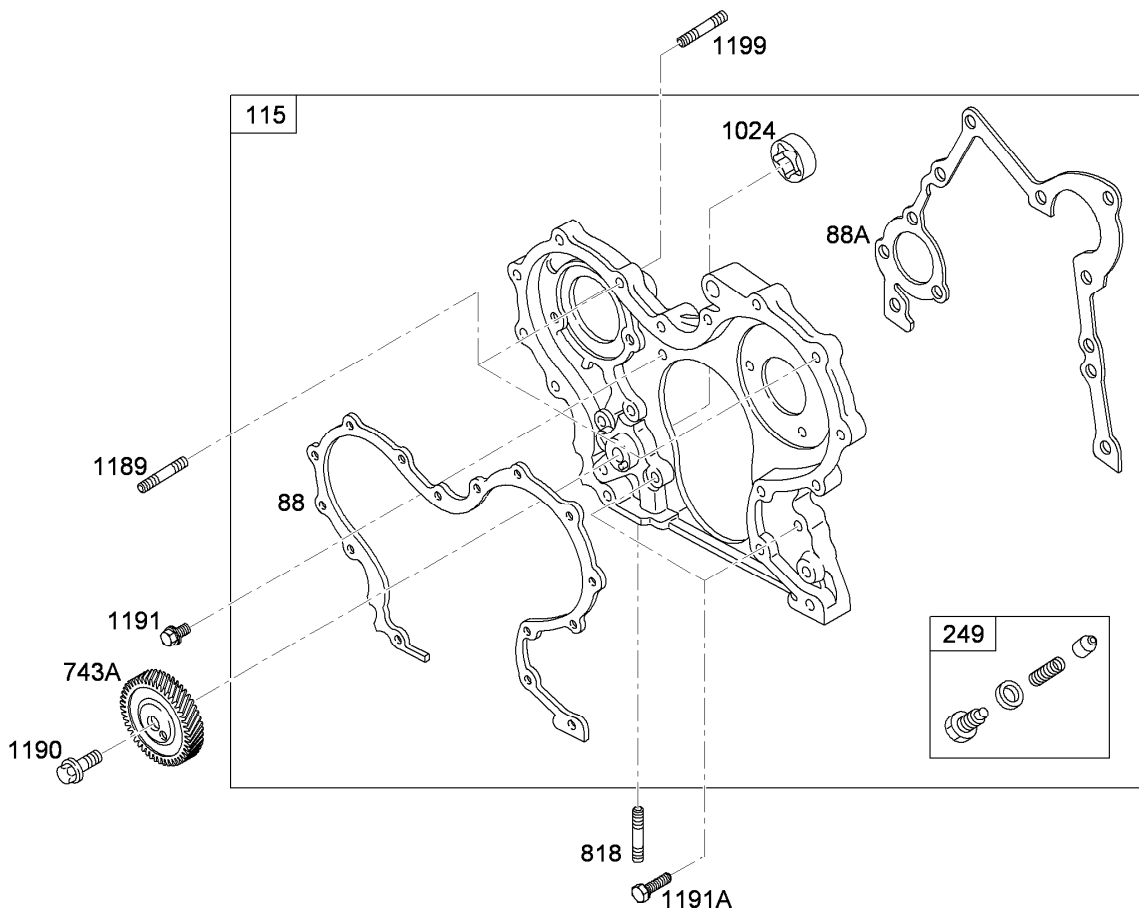
Ref.	Part Number	Qty.	Description
15	99-9247	1	Plug-Drain, Oil
239	107-9908	1	Switch-Pressure, Oil
276A	99-9249	1	Washer-Seal (Oil Drain Plug)
287	99-9256	1	Screw-Hex (Dipstick Tube)
479	99-9111	1	Screw-Hex (Oil Pump Screen)
523	100-6405	1	Dipstick
524	99-9265	1	O-Ring (Dipstick)
525	100-6406	1	Tube-Dipstick
848	99-9114	1	Nut-Hex, Metric (Oil Pump Screen)
941	99-9112	1	Stud-Metric (Oil Pan)
952	99-9113	1	Nut-Hex, Metric (Oil Pan)
1017	99-9116	1	Screen-Pump, Oil
1039	99-9623	1	Screw-Hex (Oil Pan)
1070	99-9120	1	Gasket-Strainer, Oil
1078	99-9121	1	Gasket-Pan, Oil
1088	99-9241	1	Pan-Oil (Dual Drain)



Assemblies include all parts shown in frames

## Gear Cover Assembly

Ref.	Part Number	Qty.	Description
3	115-2291	1	Seal-Oil (Magneto Side)
85	99-9651	1	Screw-Hex (Gear Cover To Gear Reduction Case)
85A	99-9128	1	Screw-Hex (Gear Cover To Gear Reduction Case)
85B	99-9129	1	Screw-Hex (Gear Cover To Gear Reduction Case)
86	115-2338	1	Gear Cover ASM
88	99-9653	1	Gasket-Cover, Gear
718B	99-9014	1	Pin-Locating
813	99-9208	1	Clamp
1086	117-4920	1	Trigger-Ignition
1173	99-9114	1	Nut-Hex, Metric (Gear Cover)
1181	99-9128	1	Screw-Hex (Gear Cover To Gear Reduction Case)
1181A	99-9210	1	Screw-Phillips (Ignition Trigger)

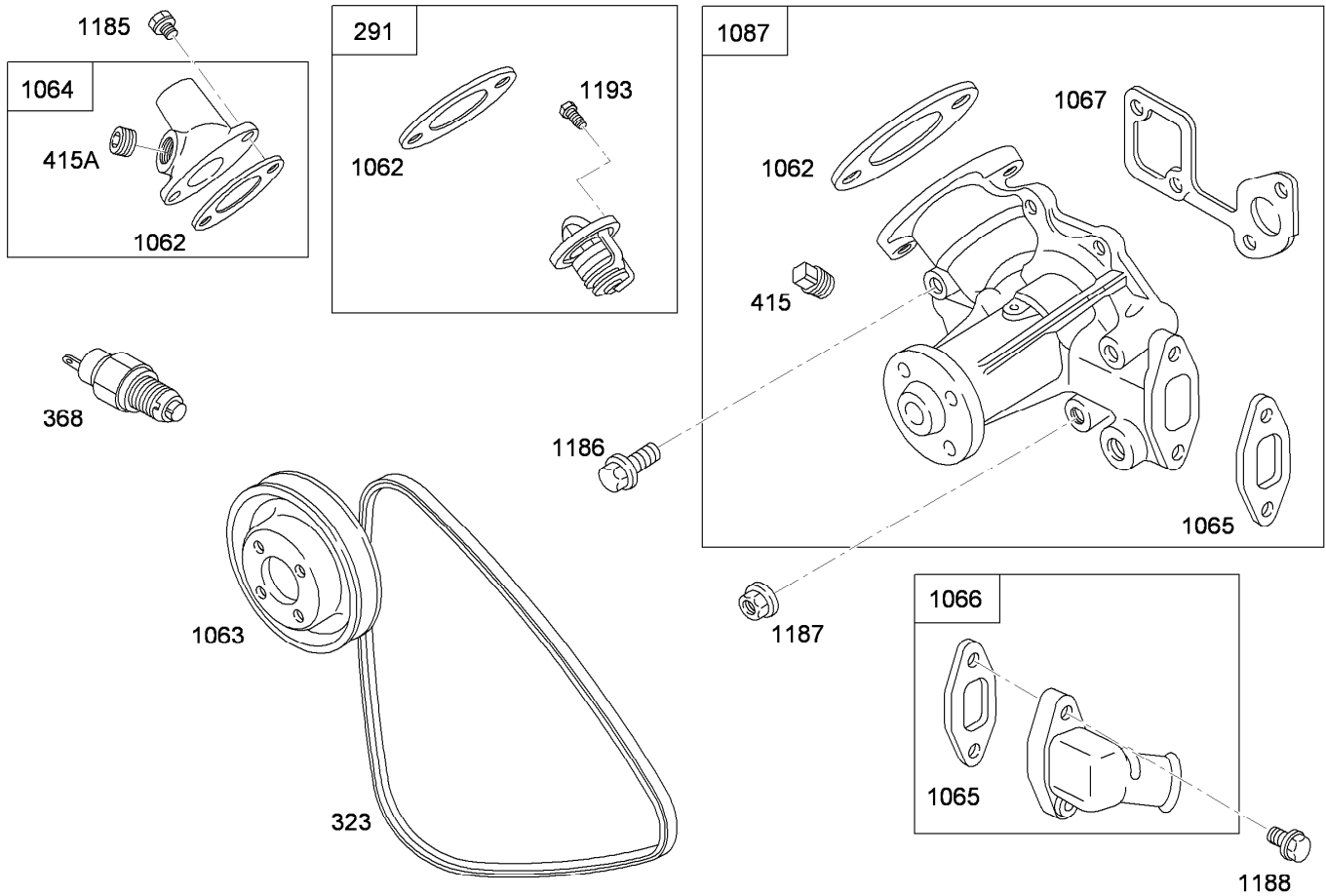


Assemblies include all parts shown in frames

## Gear Housing Assembly

<i>Ref.</i>	<i>Part Number</i>	<i>Qty.</i>	<i>Description</i>
88	99-9653	1	Gasket-Cover, Gear
88A	99-9136	1	Gasket-Cover, Gear Reduction
115	99-9655	1	Housing-Gear
249	99-9142	1	Valve-Relief, Oil
743A	99-9656	1	Gear-Drive (Gear Housing)
818	99-9007	1	Stud-Metric (Gear Housing)
1024		1	Pump-Oil ●
1189	99-9137	1	Stud-Metric (Gear Housing)
1190	99-9616	1	Screw-Hex (Drive Gear)
1191	99-9134	1	Screw-Hex (Gear Housing)
1191A	99-9133	1	Screw-Hex (Gear Housing)
1199	99-9654	1	Stud-Metric (Injection Pump)

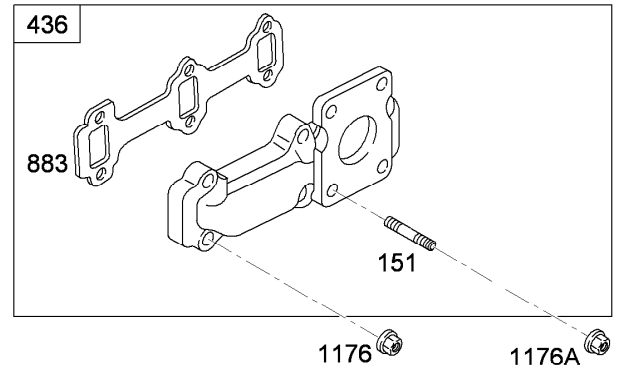
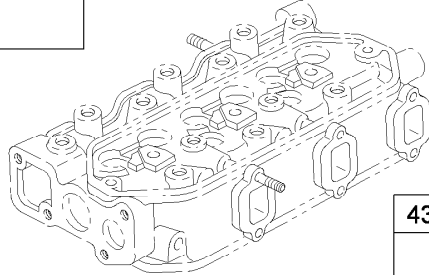
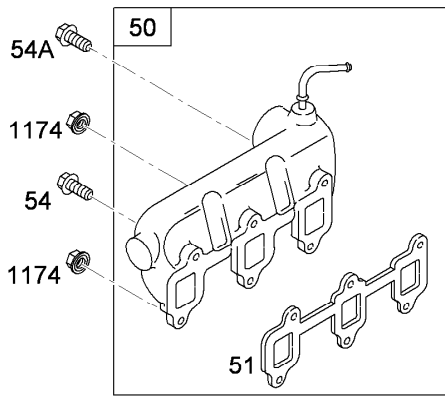
● Not serviced separately



Assemblies include all parts shown in frames

## Water Pump Assembly

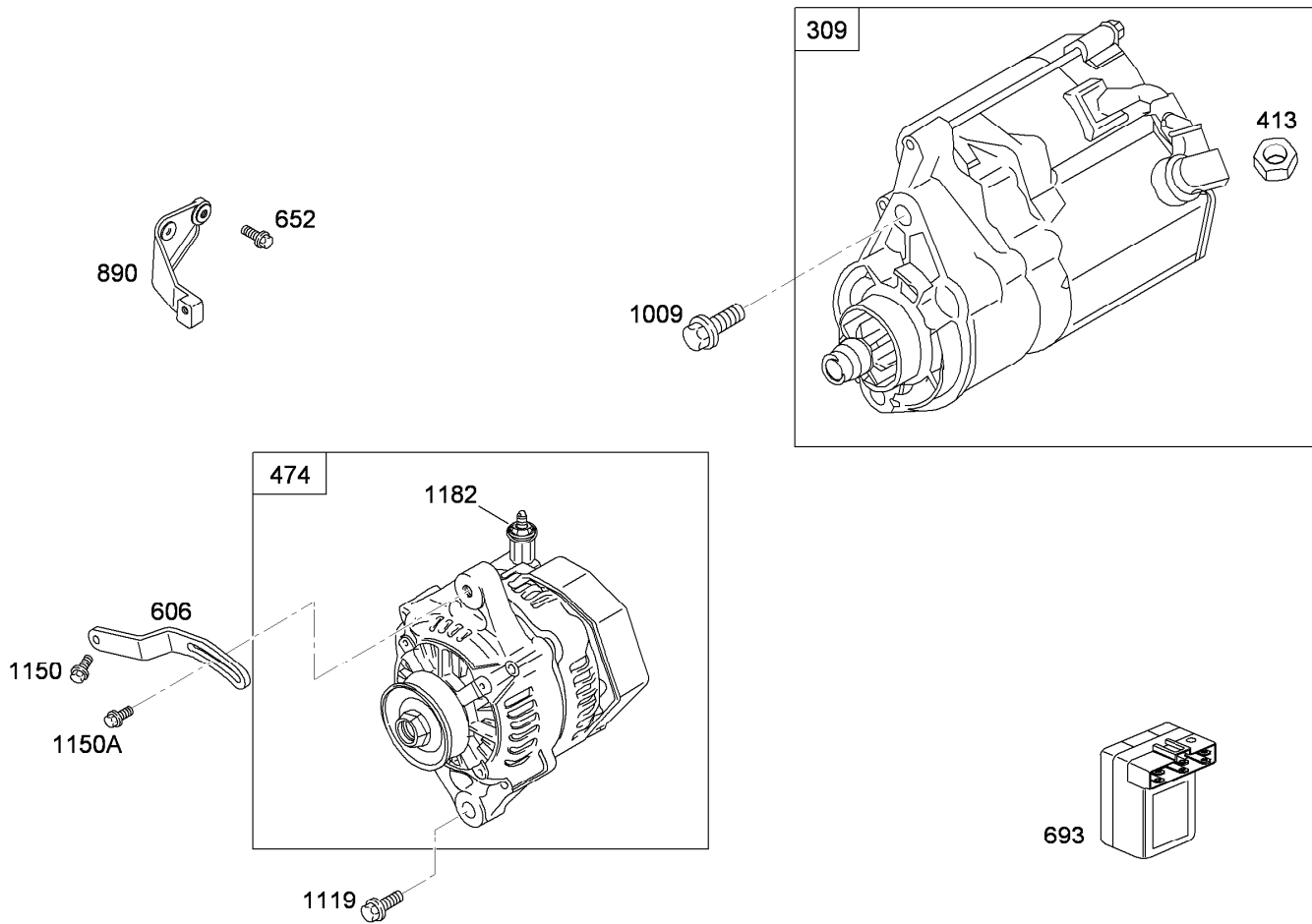
<i>Ref.</i>	<i>Part Number</i>	<i>Qty.</i>	<i>Description</i>
291	99-9155	1	Thermostat
323	117-4922	1	Belt-Vee
368	117-4923	1	Switch-Temperature, Water
415	99-9159	1	Plug (Water Pump)
415A	99-9158	1	Plug (Outlet Housing)
1062	99-9163	1	Gasket-Housing, Outlet
1063	99-9164	1	Pulley-Pump
1064	99-9165	1	Housing-Outlet
1065	99-9166	1	Gasket-Housing, Inlet
1066	99-9167	1	Housing-Inlet
1067	99-9168	1	Gasket-Pump, Water
1087	105-9348	1	Pump-Water
1185	99-9004	1	Screw-Hex (Outlet Housing)
1186	99-9151	1	Screw-Hex (Water Pump)
1187	99-9153	1	Nut-Hex, Metric (Water Pump)
1188	99-9004	1	Screw-Hex (Inlet Housing)
1193	99-9152	1	Screw-Metric (Thermostat)



Assemblies include all parts shown in frames

## Manifold Assembly

<i>Ref.</i>	<i>Part Number</i>	<i>Qty.</i>	<i>Description</i>
50	99-9661	1	Manifold-Intake
51	99-9662	1	Gasket-Intake
54	99-9083	1	Screw-Hex (Intake Manifold)
54A	99-9660	1	Screw-Hex (Intake Manifold)
151	99-9174	1	Stud-Manifold, Exhaust
436	99-9177	1	Manifold-Exhaust
883	106-1855	1	Gasket-Exhaust
1174	99-9114	1	Nut-Hex, Metric (Intake Manifold)
1176	99-9175	1	Nut-Hex, Metric (Exhaust Manifold)
1176A	99-9176	1	Nut-Hex (Muffler)

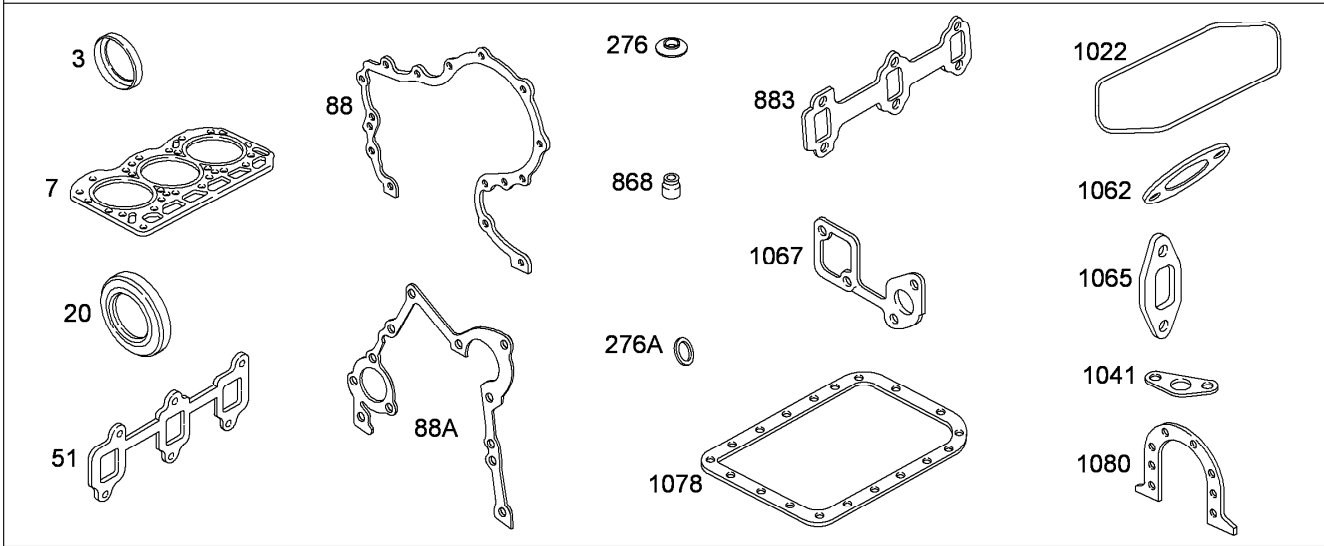


Assemblies include all parts shown in frames

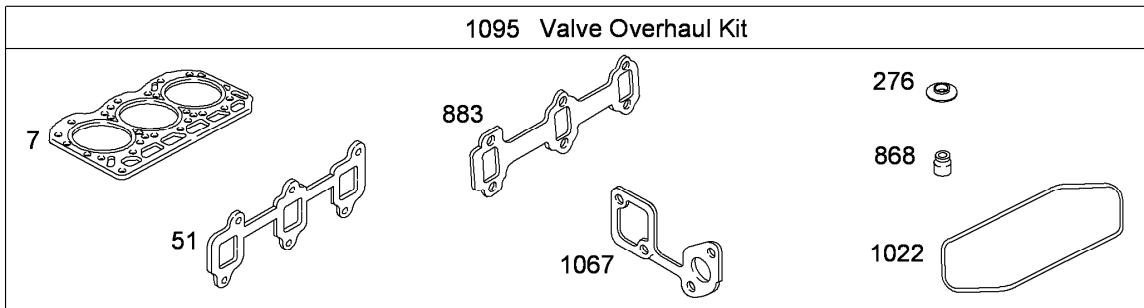
## Starter Motor and Alternator Assembly

<i>Ref.</i>	<i>Part Number</i>	<i>Qty.</i>	<i>Description</i>
309	110-2598	1	Motor-Starter
413	99-9206	1	Nut-Hex, Metric (Starter Motor)
474	115-9473	1	Alternator-60Amp
606	106-1952	1	Strap-Adjusting
652	99-9203	1	Screw-Hex (Support Bracket)
693	115-2292	1	Timer-Glow Plug
890	99-9211	1	Bracket-Support
1009	99-9201	1	Screw-Hex (Starter Motor)
1119	99-9205	1	Screw-Hex, Metric (Alternator)
1150	99-9202	1	Screw-Hex (Adjusting Strap)
1150A	107-9903	1	Screw-Hex, Metric (Alternator)
1182	99-9114	1	Nut-Hex, Metric (Starting Switch)

### 358 Engine Gasket Set



### 1095 Valve Overhaul Kit



Assemblies include all parts shown in frames

## Engine Gasket Set

Ref.	Part Number	Qty.	Description
3	99-9003	1	Seal-Oil (Magneto Side)
7	107-9898	1	Gasket-Head, Cylinder
20	115-2291	1	Seal-Oil (PTO Side)
51	99-9662	1	Gasket-Intake
88	99-9653	1	Gasket-Cover, Gear
88A	99-9136	1	Gasket-Cover, Gear Reduction
276	99-9063	1	Washer-Seal (Rocker Cover)
276A	99-9645	1	Washer-Seal (Oil Drain Plug)
358	115-2339	1	Gasket Kit
868	99-9643	1	Seal-Valve
883	106-1855	1	Gasket-Exhaust (Exhaust Manifold)
1022	99-9073	1	Gasket-Cover, Rocker
1041	99-9120	1	Gasket-Strainer, Oil
1062	99-9163	1	Gasket-Housing, Outlet
1065	99-9166	1	Gasket-Housing, Inlet
1067	99-9168	1	Gasket-Pump, Water
1078	99-9121	1	Gasket-Pan, Oil
1080	99-9021	1	Gasket-Retainer
1095	107-9907	1	Valve Overhaul Kit

# Attachments and Accessories

## For 07371 Workman HDX-D 4-Wheel Drive Utility Vehicle with Bed

<b>Product Name</b>	<b>Model/Part</b>
Full Area Flatbed .....	07301
Full Area Flatbed Side Kit .....	07302
Fold Down Side Kit .....	07303
Left-Hand Light Kit .....	07315
High-Flow Hydraulic Kit .....	07316
Right-Hand Light Kit .....	07317
2/3 Area Flatbed .....	07321
2/3 Area Flatbed Side Kit .....	07322
Bed Liner .....	07331
Cab .....	07339
1/3 Area Flatbed .....	07341
1/3 Area Stake Side Kit .....	07342
1/3 Area Platform Lift .....	07344
Heater Kit .....	07349
Canopy .....	07372
Windshield .....	07373
Cab Door Kit .....	07375
Solid Window Cab Door Kit .....	07376
Hitch Frame Kit .....	07377
4 Post Roll-Over Protection System .....	07378
Rear PTO Kit .....	07419
Hand Throttle Kit .....	07420
Spiker .....	08856
Finish Grader .....	08867
Backup Alarm Kit .....	107-8037
Premium Engine Oil, 10w30 (55 Gallon Drum) .....	108-1179
Premium Engine Oil, 10w30 (5 Gallon Pail) .....	108-1180
Premium ATF (Drum) .....	108-1185
Premium ATF (Pail) .....	108-1186
Premium All Purpose Grease (Tube) .....	108-1190
Remote Hydraulics Manifold Kit .....	110-2626
Rear Tire .....	110-5132
Spark Arrestor Kit .....	112-1688
Wheel-12x8.0 .....	114-8260
Horn Kit .....	115-7825
High Air Intake Kit .....	115-7848
Side Mirror Kit .....	115-7849
Roll-Over Protection System Signal Kit .....	117-4825
Worklight Kit .....	117-4827
Remote Hydraulic Float Kit .....	117-4828
Cab Mirror Kit .....	117-4830
Receiver Hitch Kit .....	117-4831
Trailer Signal Kit .....	117-4836
Trailer Brake Kit .....	117-4837
24x13-12 Tire and Wheel ASM .....	117-4838
Engine Cover Kit .....	117-4867



## Attachments and Accessories (continued)

Canopy for Four-Post Roll-Over Protection System Kit .....	119-9457
Single Nozzle Kit.....	41024
Hose Reel Kit.....	41097
Spray Gun Kit .....	41133
Pro Foam Concentrate (4 x 1 Gallon) .....	41157
Sonic Boom Kit .....	41217
Workman 200 Spray System .....	41235
Foam Marker Kit .....	41236
Spreader Base Unit .....	41253
Vicon Spreader .....	41256
Power Holster Hitch Kit.....	44209
Topdresser 1800.....	44225
Fifth Wheel Hitch Kit .....	44230
Cushman GA 60 Aerator Adapter Kit .....	44232
Core Harvester Adapter Kit.....	44242
Automatic Tailgate Release Kit .....	92-1220
Fuse Block.....	92-2641
PTO Over Running Clutch Kit .....	92-2655
Topdresser 1800 Lift Kit .....	92-4452
Mid-Mount Kit for Platform Lift.....	93-3741
1/3 Area Cover Kit .....	93-9225
Rear 1/3 Area Mounting Kit.....	93-9249
Tire-Rear .....	98-2993
Tire-Rear, Industrial .....	99-1091

**Notes:**

**Notes:**



**Count on it.**