



Operator-Controlled Discharge Chute Kit

GrandStand® Mower with 48-inch, 52-inch or 60-inch Cutting Unit

Model No. 119-7292

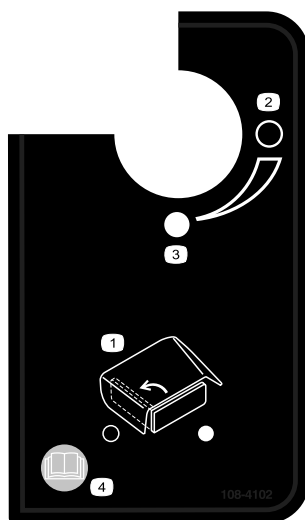
Installation Instructions

Safety

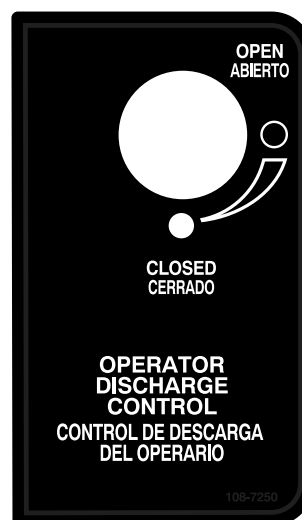
Safety and Instructional Decals



Safety decals and instructions are easily visible to the operator and are located near any area of potential danger. Replace any decal that is damaged or lost.



108-4102



108-7250

1. Operator discharge control
2. Open
3. Closed
4. Read the *Operator's Manual*.

Loose Parts

Use the chart below to verify that all parts have been shipped.

Procedure	Description	Qty.	Use
1	No parts required	–	Remove the existing side discharge chute.
2	Side discharge chute	1	Install the side discharge chute with gate.
	Bolt, (5/16 x 7–1/2 inches)	1	
	Locknut, (5/16 inch)	1	
	Plastic spacer	1	
	Spring	1	
3	Handle assembly	1	Install the handle.
	Bracket	1	
	Bolt, (3/8 x 1 inch) (Self tapping)	4	
	Plastic cable tie	1	

Procedure	Description	Qty.	Use
4	Trash bag	1	Install the trash bag.
5	International decal	1	Install the decal for international mowers only.

1

Removing the Existing Side Discharge Chute

No Parts Required

Procedure

1. Disengage the PTO, set the parking brake, and chock or block the drive wheels.
2. Turn off the engine, remove the key, and wait for all moving parts to stop before leaving the operating position.
3. Remove the locknut, bolt, spring and spacer holding the deflector to the pivot brackets (Figure 1). Remove the grass deflector.

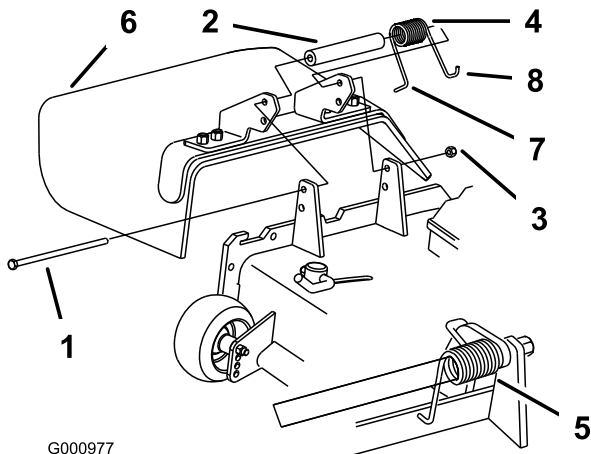


Figure 1

- | | |
|------------|---|
| 1. Bolt | 5. Spring installed |
| 2. Spacer | 6. Grass Deflector |
| 3. Locknut | 7. L end of spring, place behind deck edge before installing bolt |
| 4. Spring | 8. J hook end of spring |

2

Installing the Side Discharge Chute with Gate

Parts needed for this procedure:

1	Side discharge chute
1	Bolt, (5/16 x 7-1/2 inches)
1	Locknut, (5/16 inch)
1	Plastic spacer
1	Spring

Procedure

⚠ WARNING

An uncovered discharge opening could allow the lawn mower to throw objects in the operator's or bystander's direction and result in serious injury. Also, contact with the blade could occur.

- Never operate the lawn mower unless you install a cover plate, a mulch plate, or a grass chute and catcher.
- Make sure the grass deflector is in the down position.

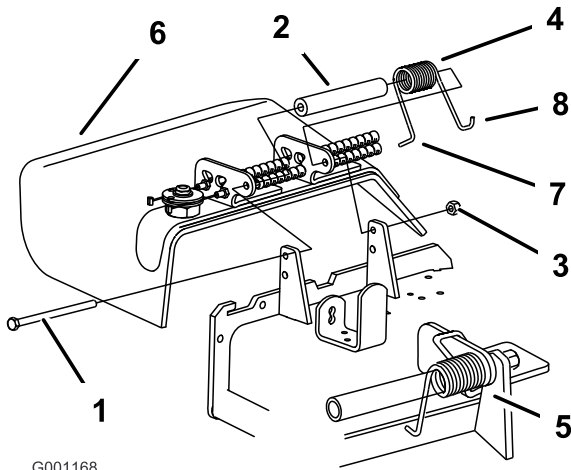
Note: Ensure the grass deflector is installed in the lower holes in the mower deck brackets.

1. Place the new spacer and spring onto grass deflector. Place one end of spring behind deck edge.

Note: Make sure the end of the spring is installed behind the deck edge before installing the bolt as shown in Figure 2.

2. Install bolt and nut in the lower hole. Place the end of the spring around the grass deflector (Figure 2).
3. Tighten the nut until the end of the bolt is flush with the end of the nut. Do not over tighten.

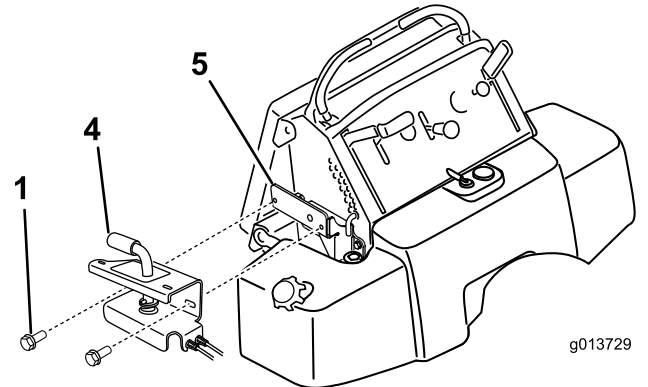
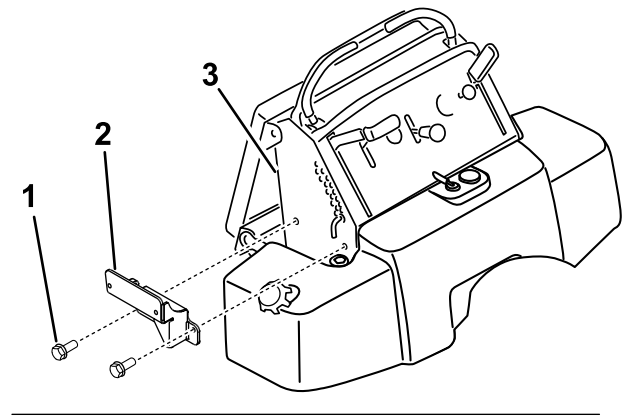
Important: The grass deflector must be able to lower down into position. Lift the deflector up to test that it lowers into the full down position.



G001168

Figure 2

- | | |
|------------|---------------------|
| 1. Bolt | 4. Spring |
| 2. Spacer | 5. Spring installed |
| 3. Locknut | 6. Grass Deflector |



g013729

Figure 3

- | | |
|--------------------------|----------------------|
| 1. Bolt, (3/8 x 1 inch) | 4. Handle assembly |
| 2. Bracket | 5. Bracket installed |
| 3. Right side of machine | |

3

Installing the Handle

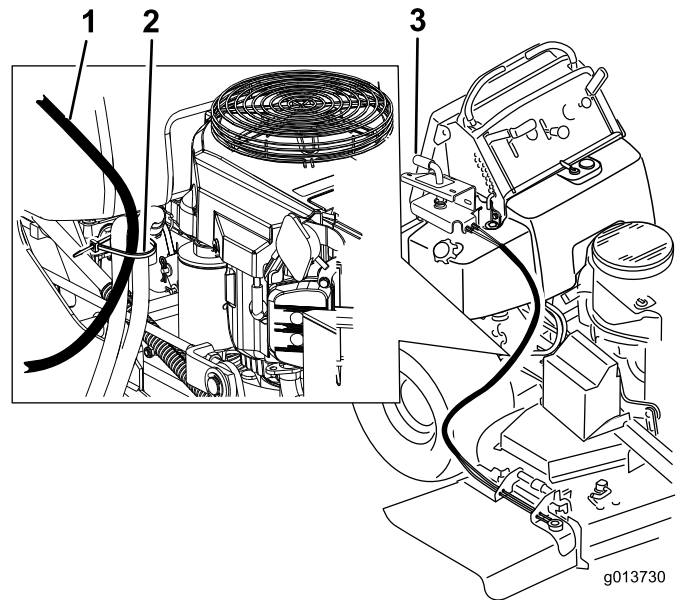
Parts needed for this procedure:

1	Handle assembly
1	Bracket
4	Bolt, (3/8 x 1 inch) (Self tapping)
1	Plastic cable tie

Procedure

1. Install the bracket to the right side of the machine with 2 bolts (3/8 x 1 inch) (Figure 3). The bolts are thread forming bolts. The holes do not require tapping.
2. Install the handle assembly to the bracket with 2 bolts (3/8 x 1 inch) (Figure 3). The bolts are thread forming bolts. The holes do not require tapping.

3. Fasten the cables to the hydraulic hoses with a plastic tie (Figure 4). Ensure the cables do not contact the rear tire.



g013730

Figure 4

- | | |
|----------------------|--------------------|
| 1. Cables | 3. Handle assembly |
| 2. Plastic cable tie | |

4

Installing the Trash Bag

Parts needed for this procedure:

1	Trash bag
---	-----------

Procedure

Install the trash bag into the slots in the handle assembly (Figure 5).

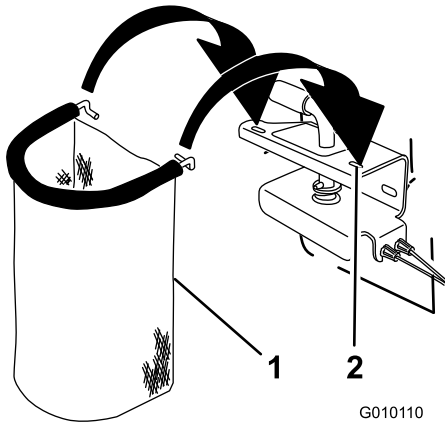


Figure 5

1. Trash bag
2. Slot in handle assembly

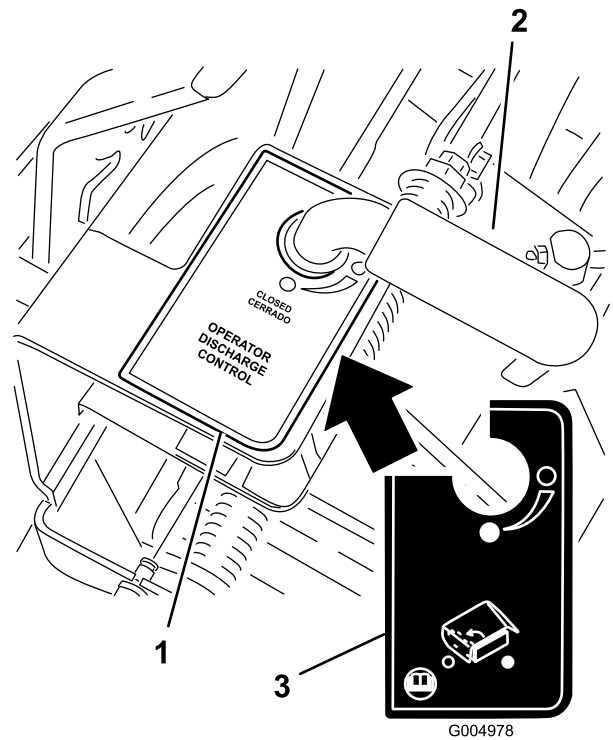


Figure 6

1. Existing decal
2. Handle
3. International decal

5

Installing the Decal for International Mowers Only

Parts needed for this procedure:

1	International decal
---	---------------------

Procedure

Install the decal over the existing decal (Figure 6).

Operation

Using the Chute Gate

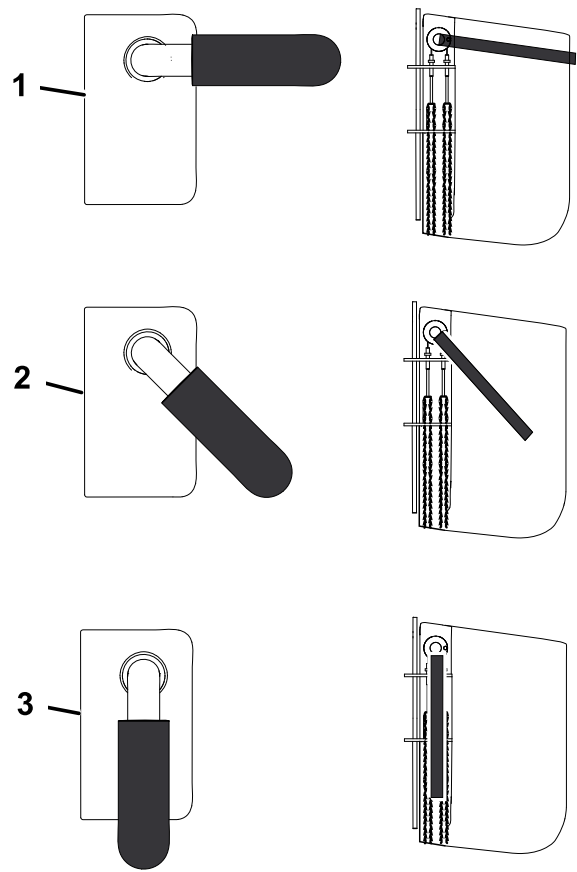
⚠ CAUTION

The chute gate does not seal the discharge opening. Grass and objects may be thrown in a bystander's direction and result in serious injury.

- Be aware of the mower discharge direction and do not point it at anyone.
- Remove obstacles such as rocks, tree limbs, etc. from the mowing area.
- Never put your hands or feet under the mower or discharge area.
- Never try to clear the discharge area or mower blades unless the engine is off and the key is removed.

Use the chute gate to temporarily stop or deflect grass clippings away from sidewalks, parking lots, patios, or anywhere you do not want grass clippings to land. The chute gate has 3 positions: open, 45 degree angle, and closed.

- Rotate the chute gate handle to the open position to allow grass clippings to discharge (Figure 7).
- Rotate the chute gate handle to the 45 degree angle to deflect the grass clippings (Figure 7).
- Rotate the chute gate handle to the closed position to stop the grass clippings (Figure 7).



g013744

Figure 7

1. Chute gate open
2. Chute gate at 45 degree angle
3. Chute gate closed

Notes:

Notes:



Count on it.