



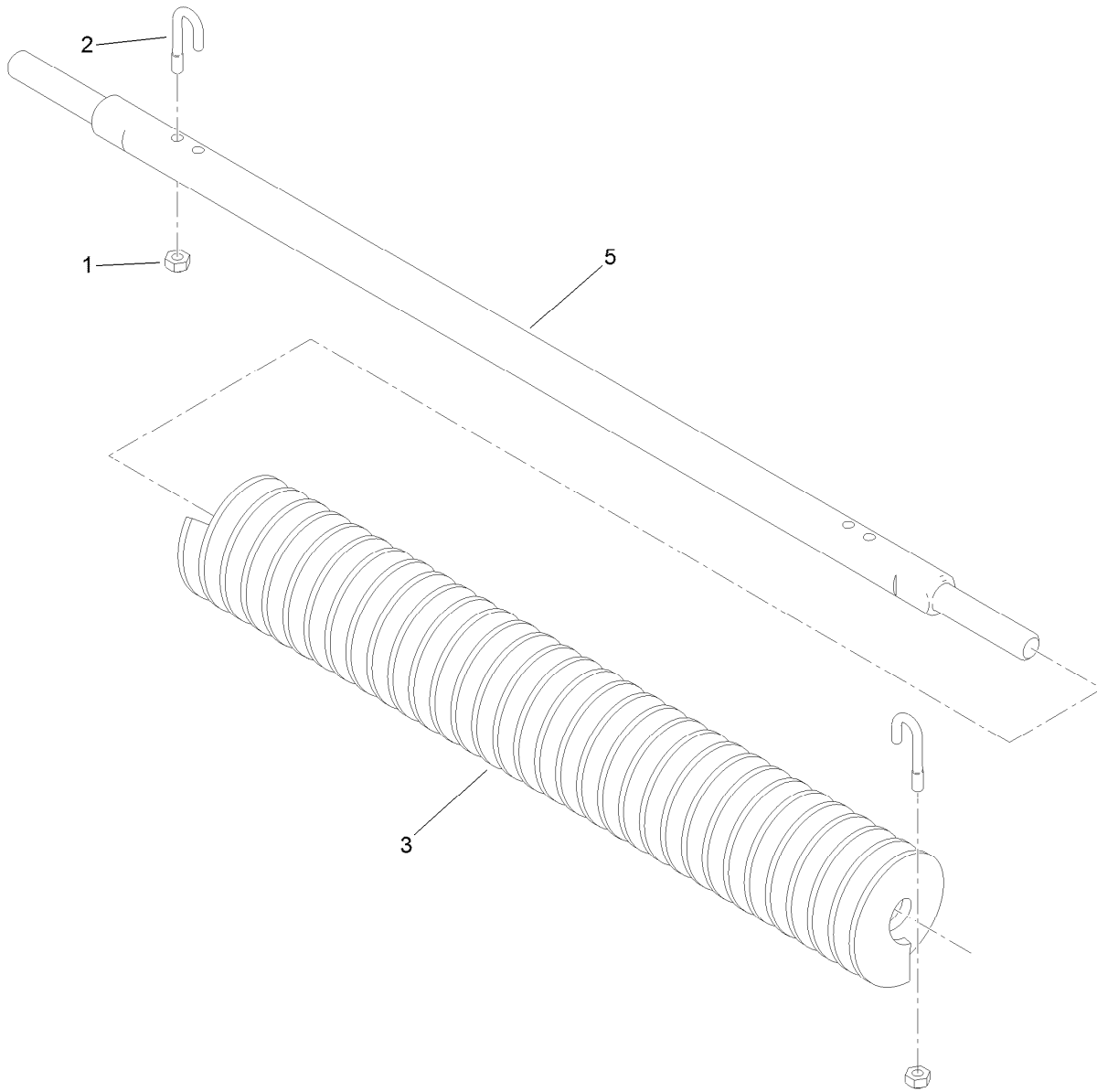
**Count on it.**

**Parts Catalog**

**Groomer Brush**

**Greensmaster® 800**

**Model No. 120-2742**



## Groomer Brush Assembly No. 120-2742

<i>Ref.</i>	<i>Part Number</i>	<i>Qty.</i>	<i>Description</i>
1	3296-2	2	Nut-Lock, NI
2	105-9632	2	Bolt-J
3	120-2743	1	Brush-Groomer
5	120-2744	1	Shaft-Brush