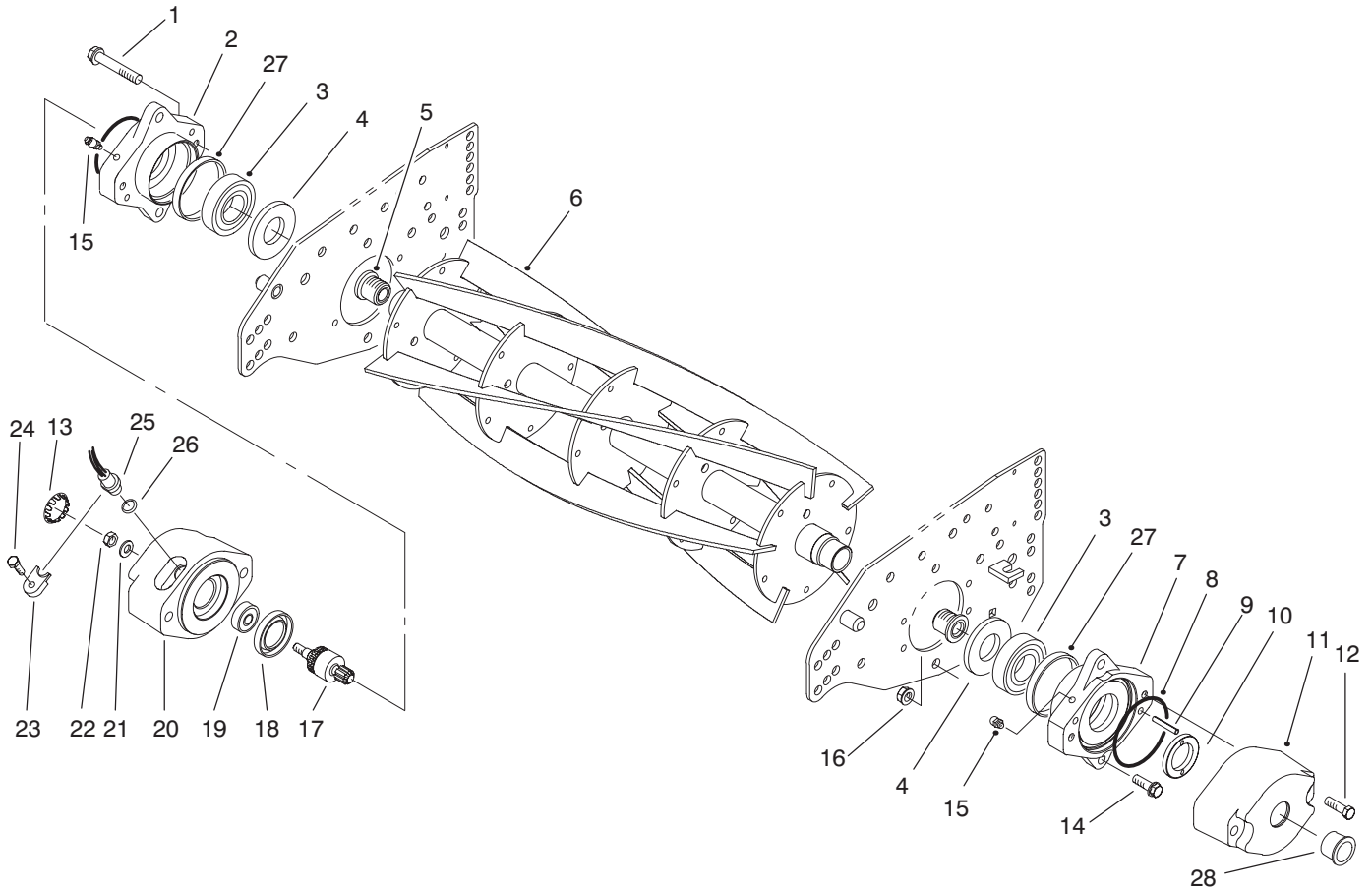




MODEL NO. 03854-60880 & UP MODEL NO. 03856-63624 & UP	PARTS CATALOG
5 & 11 BLADE REELS REELMASTER □ 6500D/6700D	



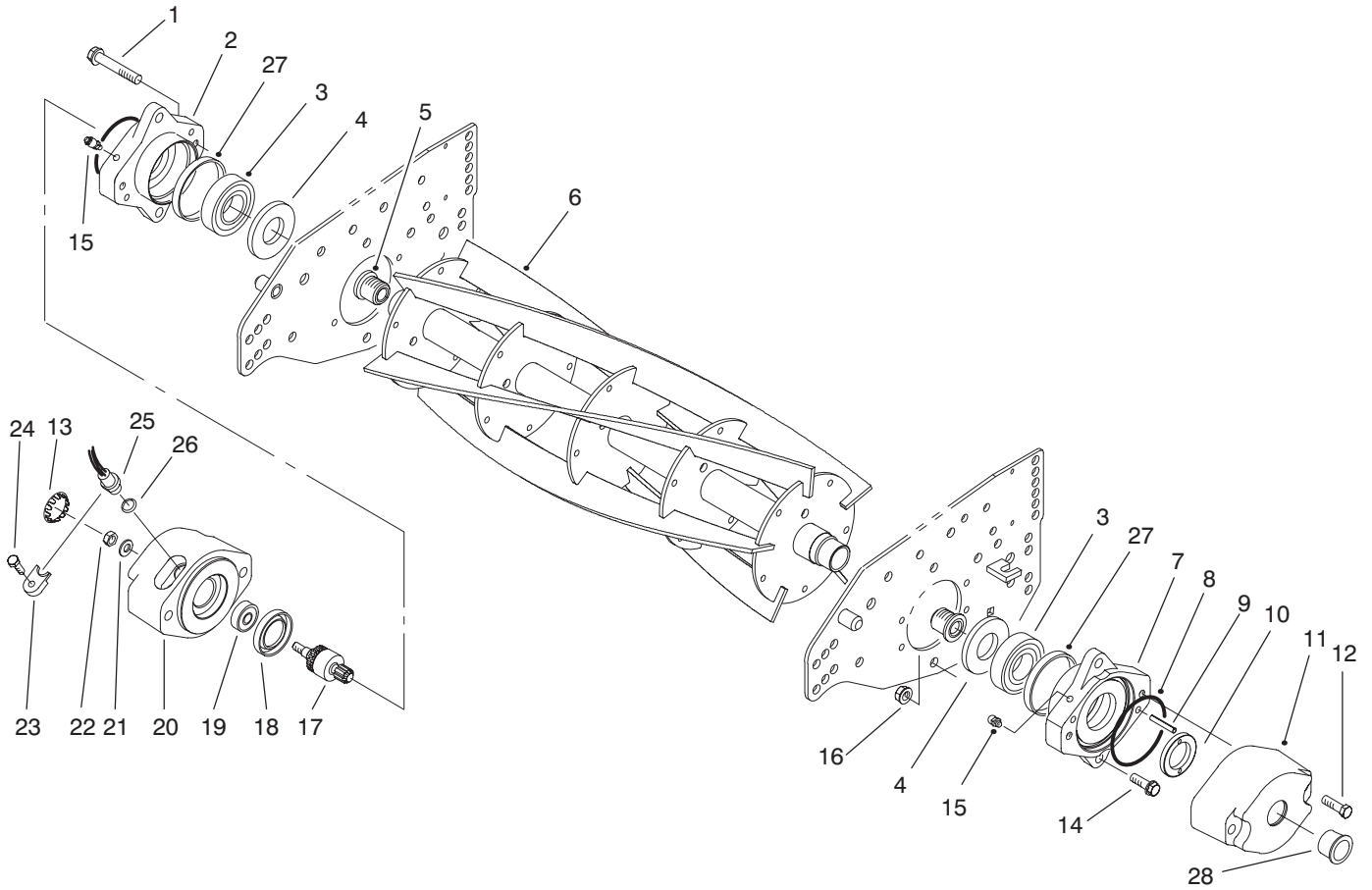
T-1979-2

REEL & BEARING HOUSING ASSEMBLY

Ref. No.	Part No.	Description	No. Used
1	33105-060	Screw - HHF	2
2	93-9794	Housing - Bearing, RH (Incl. Ref. #27)	1
3	93-2489	Bearing	2
4	94-8908	Seal - Grease	2
5	94-2732	Insert - Threaded RH	1
*	94-2733	Insert - Threaded LH	1
6	94-4337	Reel Assembly Model 03854 (Incl. Ref. #5)	1
*	94-4338	Reel Assembly Model 03856 (Incl. Ref. #5)	1
7	93-9795	Housing - Bearing, LH (Incl. Ref. #27)	1
8	93-9783	O-Ring (Shipped with Traction Unit)	10
9	32121-69	Pin - Roll	4
10	93-9786	Nut - Bearing Adj.	1

Ref. No.	Part No.	Description	No. Used
11	94-4347	Weight - End (Shipped with Traction Unit)	3
12	93-7522	Screw - HH	2
13	93-3094	Plug - Cap	1
14	33105-030	Screw - HHF	4
15	302-11	Fitting - Grease 45°	2
16	33025-00	Nut - Lock	4
17	93-3085	Asm. - Shaft, Magnet	1
18	253-165	Seal - Outer	1
19	93-2956	Bearing	1
20	93-3080	Weight - Housing, End	1
21	3256-23	Washer - Flat	1
22	33024-00	Nut - Lock	1
23	93-3088	Clamp (Shipped with Traction Unit)	2
24	33103-020	Screw - HH (Shipped with Traction Unit)	2

*Not Illustrated



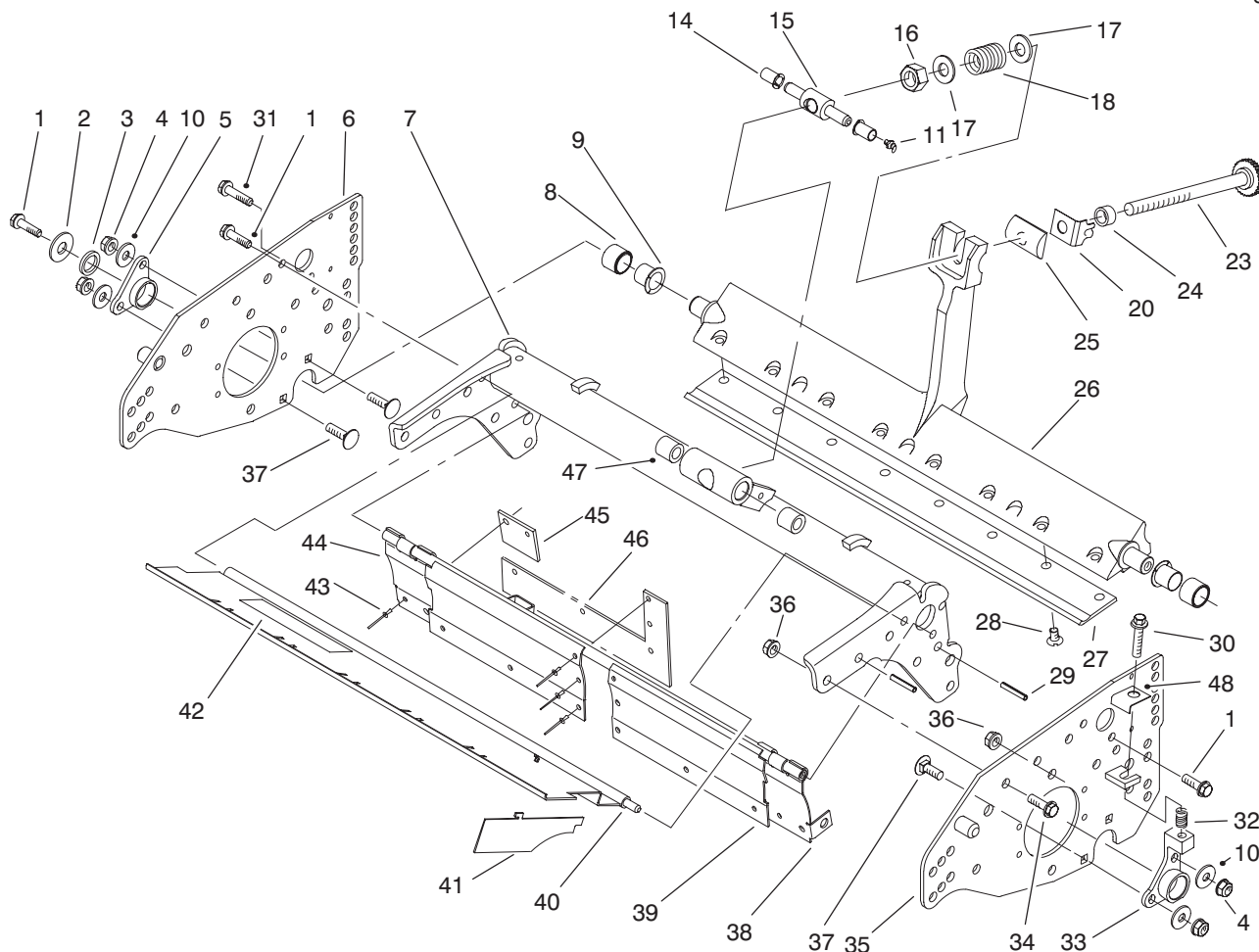
T-1979-2

REEL & BEARING HOUSING ASSEMBLY (Continued)

Ref. No.	Part No.	Description	No. Used
25	94-6980	Sensor - Speed (Shipped with Traction Unit)	2
26	237-30	O-Ring (Shipped with Traction Unit)	2
27	93-2922	Ring - Bearing	2

Ref. No.	Part No.	Description	No. Used
28	93-8717	Plug	1
*	93-3076	Asm. - Weight, End (Incl. Ref. #13, & 17-22) Shipped with Traction Unit	2

*Not Illustrated



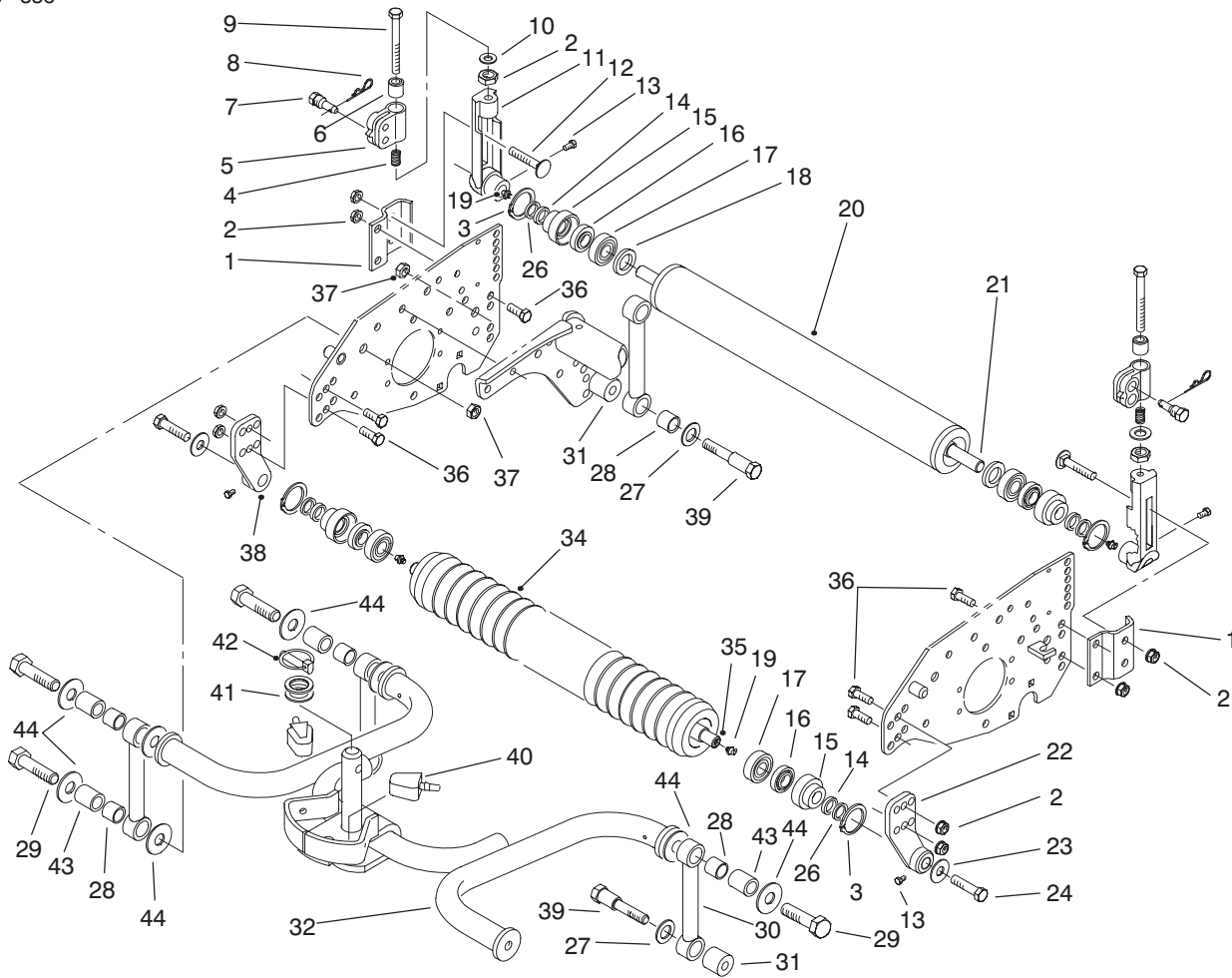
T-1980-4

FRAME & BEDBAR ASSEMBLY

Ref. No.	Part No.	Description	No. Used
1	33104-020	Screw - HHF	3
2	3256-35	Washer	1
3	93-7510	Ring - Quad	1
4	33024-00	Nut - Lock	4
5	93-2513	Pivot Hub RH	1
6	93-2981	Sideplate - RH	1
7	93-9769	Reel Frame	1
8	93-7501	Bushing Assembly	2
9	93-7502	Bushing - Flange	2
10	33094-00	Washer - Flat	4
11	302-18	Fitting - Grease, Str.	1
14	52-2890	Bushing - Plastic	2
15	57-5260	Pivot Screw Adj.	1
16	3296-62	Nut - Lock	1
17	29-8910	Washer	2
18	95-0772	Spring - Compression	1
20	93-9767	Arm - Spring	1
23	95-2762	Bedbar Adjuster Assy.	1
24	93-2959	Spacer - Adjuster	1
25	93-2892	Pivot - Bedbar, Man. Adj.	1
26	93-2854	Bedbar	1
27	93-9774	Bedknife - Reel	1
28	57-4910	Screw - Special	8

Ref. No.	Part No.	Description	No. Used
29	32121-36	Pin - Roll	4
30	93-2571	Screw	1
31	33104-040	Screw - HHF	1
32	93-2516	Spring - Compression	1
33	93-2512	Pivot Hub LH	1
34	33105-025	Screw - HHF	8
35	93-2982	Sideplate - LH	1
36	33025-00	Nut - Lock	12
37	94-2738	Screw - Carriage	4
38	93-3008	Shield - LT	1
39	93-2996	Rear Grass Shield	1
40	94-8942	Asm. - Grass Shield (Incl. Ref. #42)	1
41	93-9759	Deflector - Grass Shield	5
42	67-7960	Decal - Danger, Reel	1
42	93-6688	Decal - Danger (Europe)	1
42	94-4584	Decal - Danger (Japanese)	1
43	700382	Rivet	14
44	93-2998	Shield - RT	1
45	93-3012	Flap - Side	2
46	93-3011	Flap - Bottom	2
47	62-5510	Bushing	2
48	93-9784	Clip - Bedbar Adj.	1

*Not Illustrated



T-1981-1

ROLLERS & 4 BAR FRAME ASSEMBLY

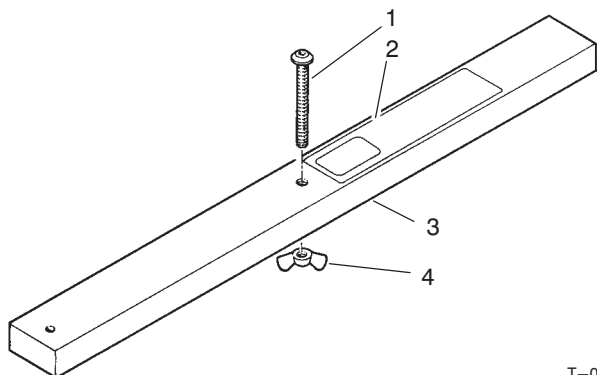
Ref. No.	Part No.	Description	No. Used
1	61-0910	Bracket - Angle	2
2	33025-00	Nut - Lock	12
3	32120-62	Snap Ring	4
4	93-2921	Spring - Compression HOC	2
5	93-2902	Support - HOC, Rear	2
6	94-4344	Spacer	2
7	93-2906	Pin - HOC	2
8	3290-467	Pin - Cotter, Hair	2
9	93-7500	Screw - HH	2
10	93-7509	Washer - Special	2
11	93-2904	Bracket - HOC, Rear	2
12	33125-030	Screw - Carriage	2
13	93-9757	Screw - HH	4
14	253-70	Seal - Oil	4
15	93-1252	Seal - Outer	4
16	93-1251	Seal - Inner	4
17	109966	Bearing - Ball	4
18	93-3007	Seal - Oil	4
19	302-5	Fitting - Grease, Straight	4
20	94-4335	Tube Assy. - Rear Roller	1
21	94-4328	Shaft - Rear Roller	1
22	94-4332	HOC Bracket - Frt. LH	1
23	3290-455	Washer - Belleville	2
24	33115-016	Screw - HH	2

Ref. No.	Part No.	Description	No. Used
26	93-2931	Washer - Roller	4
27	93-3001	Washer	2
28	94-8945	Bushing	8
29	94-2702	Bolt	6
30	93-3087	Link - 4 Bar	4
31	93-9775	Spacer	2
32	93-7407	Frame - 4 Bar	1
34	94-4336	Roller - Wiehle	1
35	94-4329	Shaft - Wiehle Roller	1
36	33105-025	Screw - HHF	8
37	94-4307	Nut - Lock	4
38	94-4333	HOC Bracket - Frt. RH	1
39	93-9777	Bolt - Shoulder, Long	2
40	93-9173	Bumper	2
41	3256-42	Washer - Flat	2
42	283-71	Pin - Lynch	1
43	94-2700	Spacer - Link	6
44	94-2701	Washer - Hardened	12
*	94-4331	Rear Roller Assembly (Incl. Ref. #3, 14-21 & 26)	1
*	94-4330	Wiehle Roller Assembly (Incl. Ref. #3, 14-19, 25 26 & 34-35)	1

*Not Illustrated

SPECIAL TOOLS

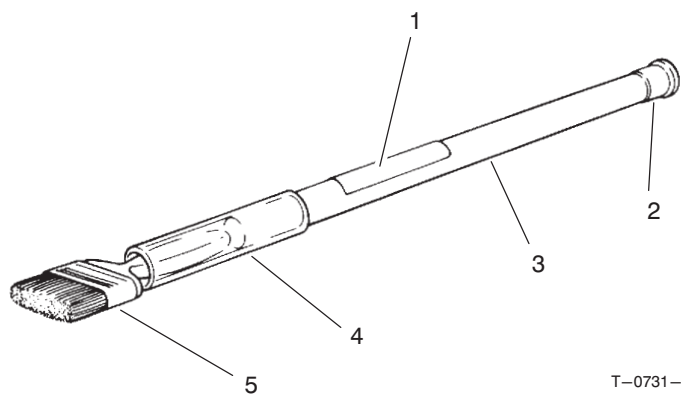
GAUGE BAR ASSEMBLY NO. 59-7900



T-0191-1

Ref. No.	Part No.	Description	No. Used
1	32122-54	Screw - Mach. Slot. Hd.	1
2	59-7930	Decal	1
3		Bar	1
4	32103-3	Nut - Wing	1

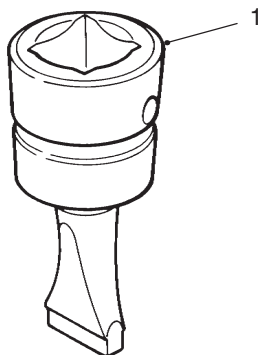
BACKLAPPING BRUSH ASSEMBLY NO. *TOR299100



T-0731-1

Ref. No.	Part No.	Description	No. Used
1	12-9140	Decal	1
2	2410-18	Plug	1
3	29-9080	Handle	1
4	29-9090	Hose - Handle	1
5	36-4310	Brush	1

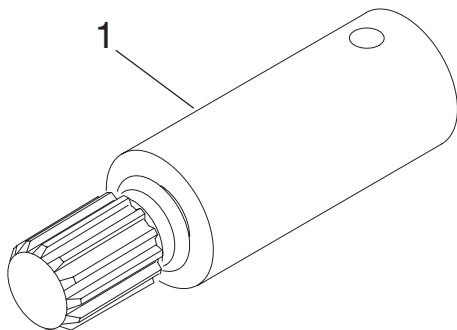
BEDKNIFE SCREW TOOL NO. *TOR510880



T-0729-1

Ref. No.	Part No.	Description	No. Used
1		Tool - Bedknife Screw	1

REEL DRIVE SHAFT NO. *TOR4075



T-2383-2

Ref. No.	Part No.	Description	No. Used
1		Shaft - Reel Drive	1

*Obtain these items directly from OTC 2013 4th St. Owatonna, MN. 55060 1-800-533-0492 (in Minnesota and Canada 1-507-455-7050) Fax. 507-455-7011.

TORO PART NUMBER INDEX

Part No.	Description	Pg. No.	Ref. No.	Qty.	Part No.	Description	Pg. No.	Ref. No.	Qty.
109966	Bearing – Ball	4	17	4	93-9784	Clip – Bedbar Adj.	3	48	1
700382	Rivet	3	43	14	93-9786	Nut – Bearing Adj.	1	10	1
12-9140	Decal	5	1	1	93-9794	Housing – Bearing, RH	1	2	1
29-8910	Washer	3	17	2	93-9795	Housing – Bearing, LH	1	7	1
29-9080	Handle	5	3	1	94-2700	Spacer – Link	4	43	6
29-9090	Hose – Handle	5	4	1	94-2701	Washer – Hardened	4	44	12
36-4310	Brush	5	5	1	94-2702	Bolt	4	29	6
51-0880	Tool – Bedknife Screw	5	1	1	94-2732	Insert – Threaded RH	1	5	1
52-2890	Bushing – Plastic	3	14	2	94-2733	Insert – Threaded LH	1	*	1
57-4910	Screw – Special	3	28	8	94-2738	Screw – Carriage	3	37	4
57-5260	Pivot Screw Adj.	3	15	1	94-4307	Nut – Lock	4	37	4
59-7930	Decal	5	2	1	94-4328	Shaft – Rear Roller	4	21	1
61-0910	Bracket – Angle	4	1	2	94-4329	Shaft – Wiehle Roller	4	35	1
62-5510	Bushing	3	47	2	94-4330	Wiehle Roller Assembly	4	*	1
67-7960	Decal – Danger, Reel	3	42	1	94-4331	Rear Roller Assembly	4	*	1
93-1251	Seal – Inner	4	16	4	94-4332	HOC Bracket – Frt. LH	4	22	1
93-1252	Seal – Outer	4	15	4	94-4333	HOC Bracket – Frt. RH	4	38	1
93-2489	Bearing	1	3	2	94-4335	Tube Assy. – Rear Roller	4	20	1
93-2512	Pivot Hub LH	3	33	1	94-4336	Roller – Wiehle	4	34	1
93-2513	Pivot Hub RH	3	5	1	94-4337	Reel Assembly Model 03854	1	6	1
93-2516	Spring – Compression	3	32	1	94-4338	Reel Assembly Model 03856	1	*	1
93-2571	Screw	3	30	1	94-4344	Spacer	4	6	2
93-2854	Bedbar	3	26	1	94-4347	Weight – End	1	11	3
93-2892	Pivot – Bedbar, Man. Adj.	3	25	1	94-4584	Decal – Danger (Japanese)	3	42	1
93-2902	Support – HOC, Rear	4	5	2	94-6980	Sensor – Speed	2	25	2
93-2904	Bracket – HOC, Rear	4	11	2	94-8908	Seal – Grease	1	4	2
93-2906	Pin – HOC	4	7	2	94-8942	Asm. – Grass Shield	3	40	1
93-2921	Spring – Compression HOC	4	4	2	94-8945	Bushing	4	28	8
93-2922	Ring – Bearing	2	27	2	95-0772	Spring – Compression	3	18	1
93-2931	Washer – Roller	4	26	4	95-2762	Bedbar Adjuster Assy.	3	23	1
93-2956	Bearing	1	19	1	237-30	O-Ring	2	26	2
93-2959	Spacer – Adjuster	3	24	1	2410-18	Plug	5	2	1
93-2981	Sideplate – RH	3	6	1	253-70	Seal – Oil	4	14	4
93-2982	Sideplate – LH	3	35	1	253-165	Seal – Outer	1	18	1
93-2996	Rear Grass Shield	3	39	1	283-71	Pin – Lynch	4	42	1
93-2998	Shield – RT	3	44	1	302-5	Fitting – Grease, Straight	4	19	4
93-3001	Washer	4	27	2	302-11	Fitting – Grease 45°	1	15	2
93-3007	Seal – Oil	4	18	4	302-18	Fitting – Grease, Str.	3	11	1
93-3008	Shield – LT	3	38	1	3256-23	Washer – Flat	1	21	1
93-3011	Flap – Bottom	3	46	2	3256-35	Washer	3	2	1
93-3012	Flap – Side	3	45	2	3256-42	Washer – Flat	4	41	2
93-3076	Asm. – Weight, End	2	*	2	3290-455	Washer – Belleville	4	23	2
93-3080	Weight – Housing, End	1	20	1	3290-467	Pin – Cotter, Hair	4	8	2
93-3085	Asm. – Shaft, Magnet	1	17	1	3296-62	Nut – Lock	3	16	1
93-3087	Link – 4 Bar	4	30	4	32103-3	Nut – Wing	5	4	1
93-3088	Clamp	1	23	2	32120-62	Snap Ring	4	3	4
93-3094	Plug – Cap	1	13	1	32121-36	Pin – Roll	3	29	4
93-6688	Decal – Danger (Europe)	3	42	1	32121-69	Pin – Roll	1	9	4
93-7407	Frame – 4 Bar	4	32	1	32122-54	Screw – Mach. Slot. Hd.	5	1	1
93-7500	Screw – HH	4	9	2	33024-00	Nut – Lock	3	4	4
93-7501	Bushing Assembly	3	8	2	33024-00	Nut – Lock	1	22	1
93-7502	Bushing – Flange	3	9	2	33025-00	Nut – Lock	4	2	12
93-7509	Washer – Special	4	10	2	33025-00	Nut – Lock	1	16	4
93-7510	Ring – Quad	3	3	1	33025-00	Nut – Lock	3	36	12
93-7522	Screw – HH	1	12	2	33094-00	Washer – Flat	3	10	4
93-8717	Plug	2	28	1	33103-020	Screw – HH	1	24	2
93-9173	Bumper	4	40	2	33104-020	Screw – HHF	3	1	3
93-9757	Screw – HH	4	13	4	33104-040	Screw – HHF	3	31	1
93-9759	Deflector – Grass Shield	3	41	5	33105-025	Screw – HHF	3	34	8
93-9767	Arm – Spring	3	20	1	33105-025	Screw – HHF	4	36	8
93-9769	Reel Frame	3	7	1	33105-030	Screw – HHF	1	14	4
93-9774	Bedknife – Reel	3	27	1	33105-060	Screw – HHF	1	1	2
93-9775	Spacer	4	31	2	33115-016	Screw – HH	4	24	2
93-9777	Bolt – Shoulder, Long	4	39	2	33125-030	Screw – Carriage	4	12	2
93-9783	O-Ring	1	8	10					

*Not Illustrated

PRODUCT CHANGES

In an effort to make improvements available to TORO owners as quickly as possible, minor changes are incorporated into Toro's products from time to time that do not become immediately shown in the Parts Catalog. If such a change has been made in your unit, which is not reflected in your manual, see your TORO Distributor or his Authorized TORO Service Dealer for information and part numbers.

COUNTRIES OTHER THAN THE UNITED STATES OR CANADA

Customers who have purchased TORO products exported from the United States or Canada should contact their Toro Distributor (Dealer) to obtain guarantee policies for your country, province or state. If for any reason you

are dissatisfied with your Distributor's service or have difficulty obtaining guarantee information, contact the TORO importer. If all other remedies fail, you may contact us at The Toro Company.

MAINTENANCE RECORD

Date									

MAINTENANCE RECORD

Date								

Compliance with Radio Interference Regulations Certified.
 Certifie Conforme au Reglement sur le Brouillage Radioelectrique.