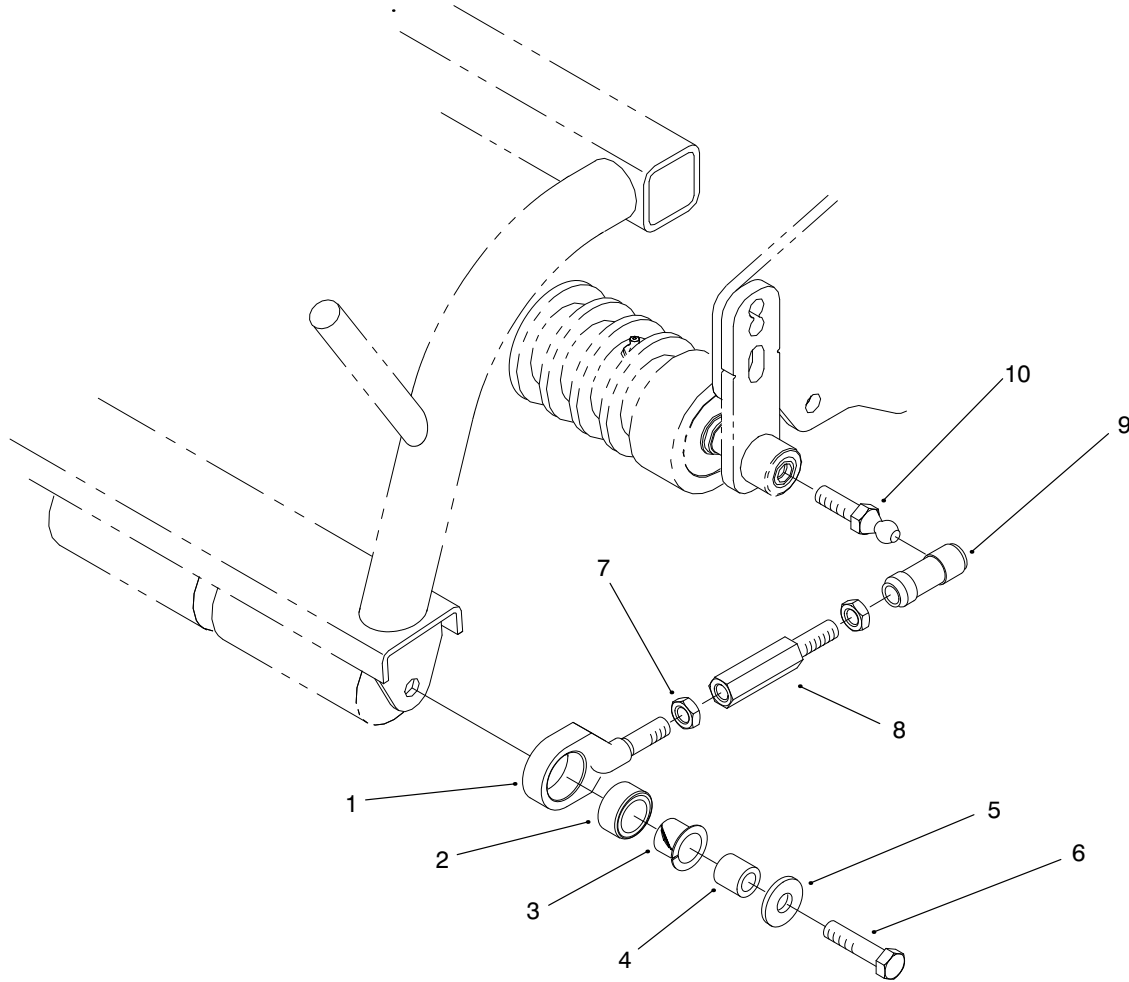




PART NO. 94-9630	PARTS CATALOG
PULL LINK KIT For Greensmaster® 3200	



T-2484-2

PULL LINK ASSEMBLY

Ref. No.	Part No.	Description	No. Used
1	95-2901	Pull Link	6
2	95-0532	Bushing	6
3	256-292	Bushing - Nylon	6
4	75-5270	Spacer	6
5	3256-4	Washer - Flat	6

Ref. No.	Part No.	Description	No. Used
6	3211-6	Screw - HH	6
7	3220-3	Nut - Hex. Jam	12
8	88-6870	Extension - Pull Arm	6
9	94-2959	Ball Joint Receiver Asm.	6
10	94-2958	Ballstud	6