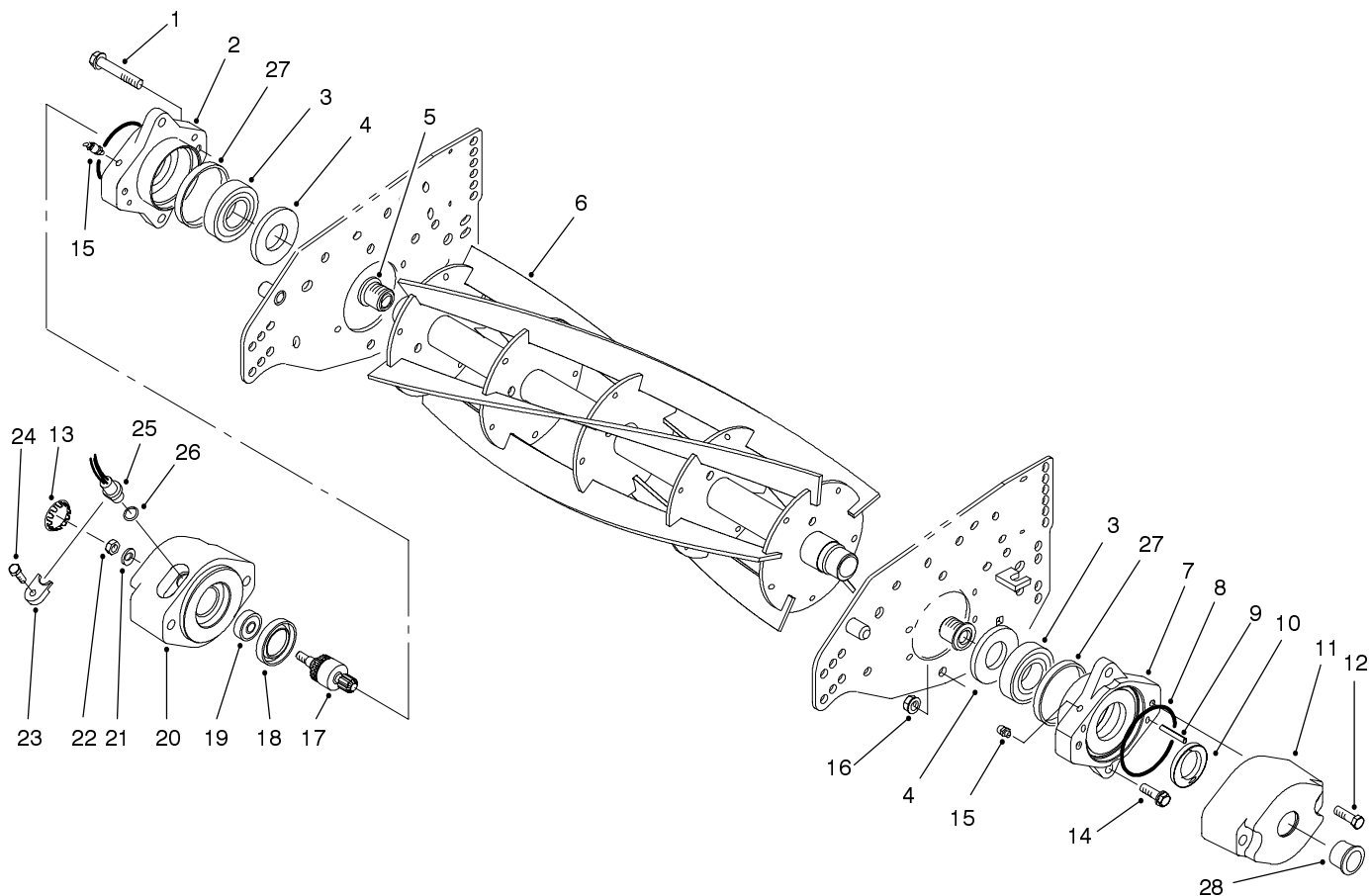




<b>MODEL NO. 03854-60589 &amp; UP</b> <b>MODEL NO. 03856-62350 &amp; UP</b>	<b>PARTS</b> <b>CATALOG</b>
<b>5 &amp; 11 BLADE REELS</b> <b>REELMASTER® 6500D/6700D</b>	



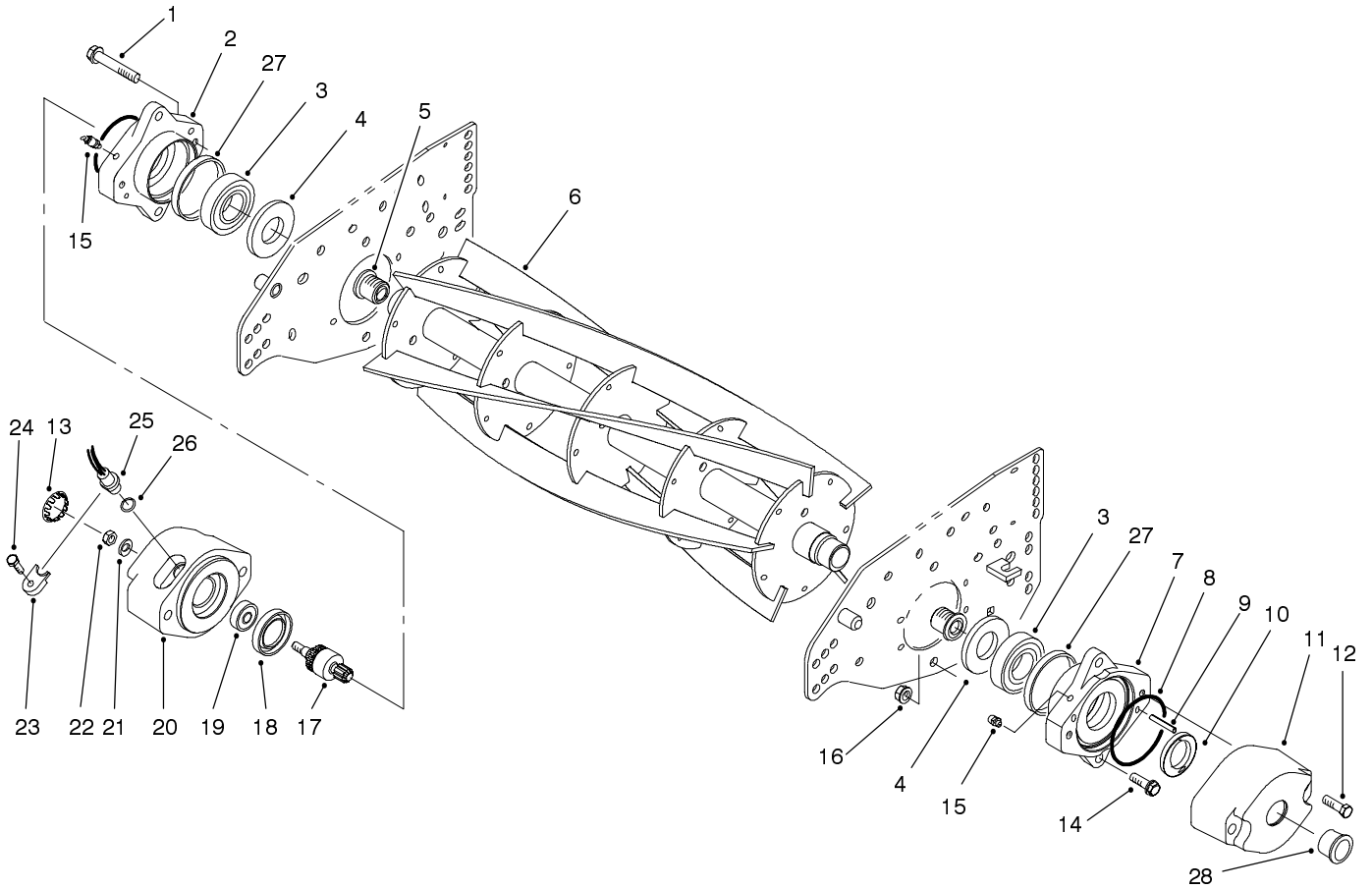
T-1979-2

## REEL & BEARING HOUSING ASSEMBLY

Ref. No.	Part No.	Description	No. Used
1	33105-060	Screw - HHF	2
2	93-9794	Housing - Bearing, RH (Incl. Ref. #27)	1
3	93-2489	Bearing	2
4	94-8908	Seal - Grease	2
5	94-2732	Insert - Threaded RH	1
*	94-2733	Insert - Threaded LH	1
6	94-4337	Reel Assembly Model 03854 (Incl. Ref. #5)	1
*	94-4338	Reel Assembly Model 03856 (Incl. Ref. #5)	1
7	93-9795	Housing - Bearing, LH (Incl. Ref. #27)	1
8	93-9783	O-Ring (Shipped with Traction Unit)	10
9	32121-69	Pin - Roll	4
10	93-9786	Nut - Bearing Adj.	1

Ref. No.	Part No.	Description	No. Used
11	93-4347	Weight - End (Shipped with Traction Unit)	3
12	93-7522	Screw - HH	2
13	93-3094	Plug - Cap	1
14	33105-030	Screw - HHF	4
15	302-11	Fitting - Grease 45°	2
16	33025-00	Nut - Lock	4
17	93-3085	Asm. - Shaft, Magnet	1
18	253-165	Seal - Outer	1
19	93-2956	Bearing	1
20	93-3080	Weight - Housing, End	1
21	3256-23	Washer - Flat	1
22	33024-00	Nut - Lock	1
23	93-3088	Clamp (Shipped with Traction Unit)	2
24	33103-020	Screw - HH (Shipped with Traction Unit)	2

\*Not Illustrated



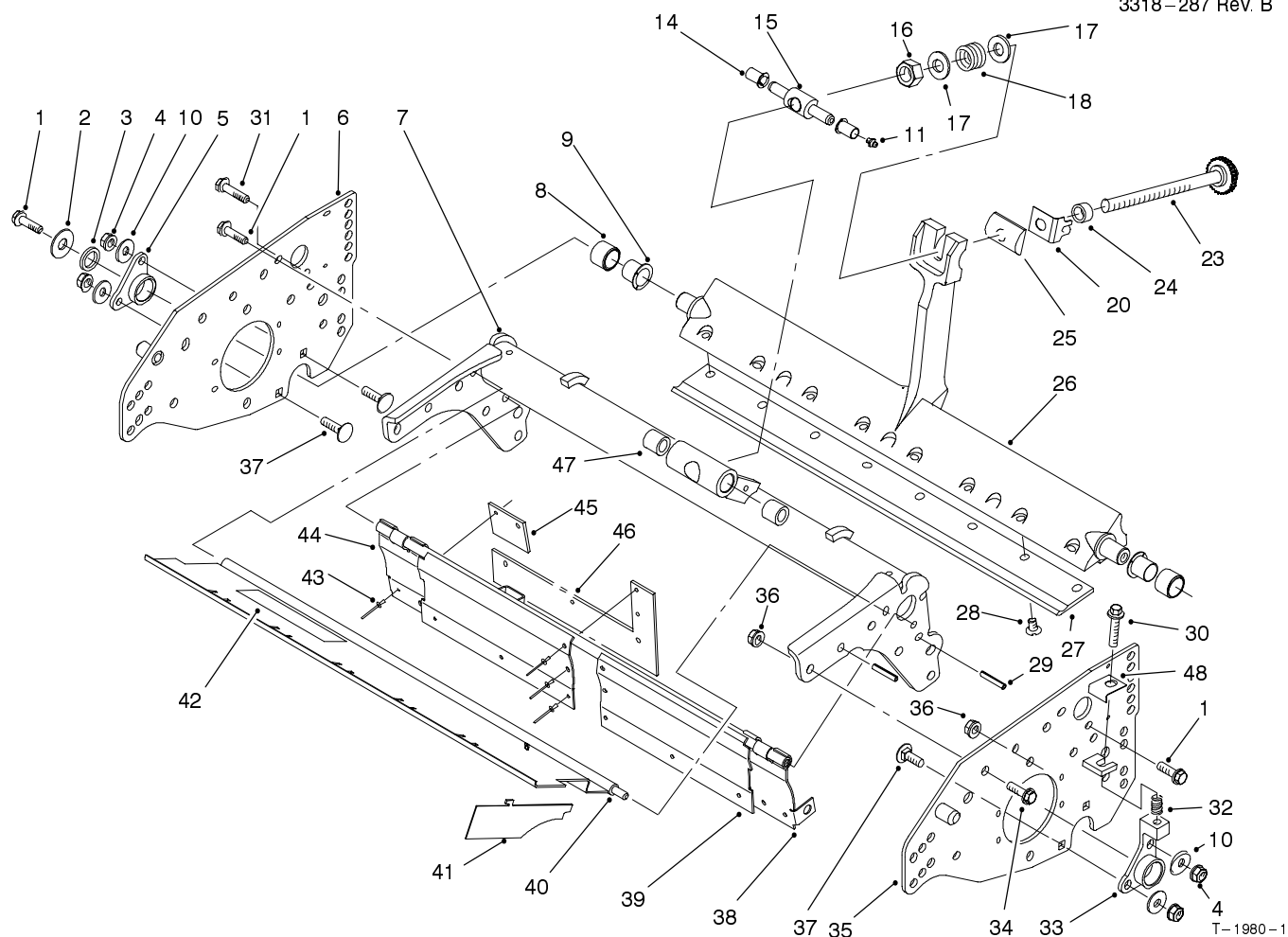
T-1979-2

## REEL & BEARING HOUSING ASSEMBLY (Continued)

Ref. No.	Part No.	Description	No. Used
25	94-6980	Sensor - Speed (Shipped with Traction Unit)	2
26	237-30	O-Ring (Shipped with Traction Unit)	2
27	93-2922	Ring - Bearing	2

Ref. No.	Part No.	Description	No. Used
28	93-8717	Plug	1
*	93-3076	Asm. - Weight, End (Incl. Ref. #13, & 17-22) Shipped with Traction Unit	2

\*Not Illustrated



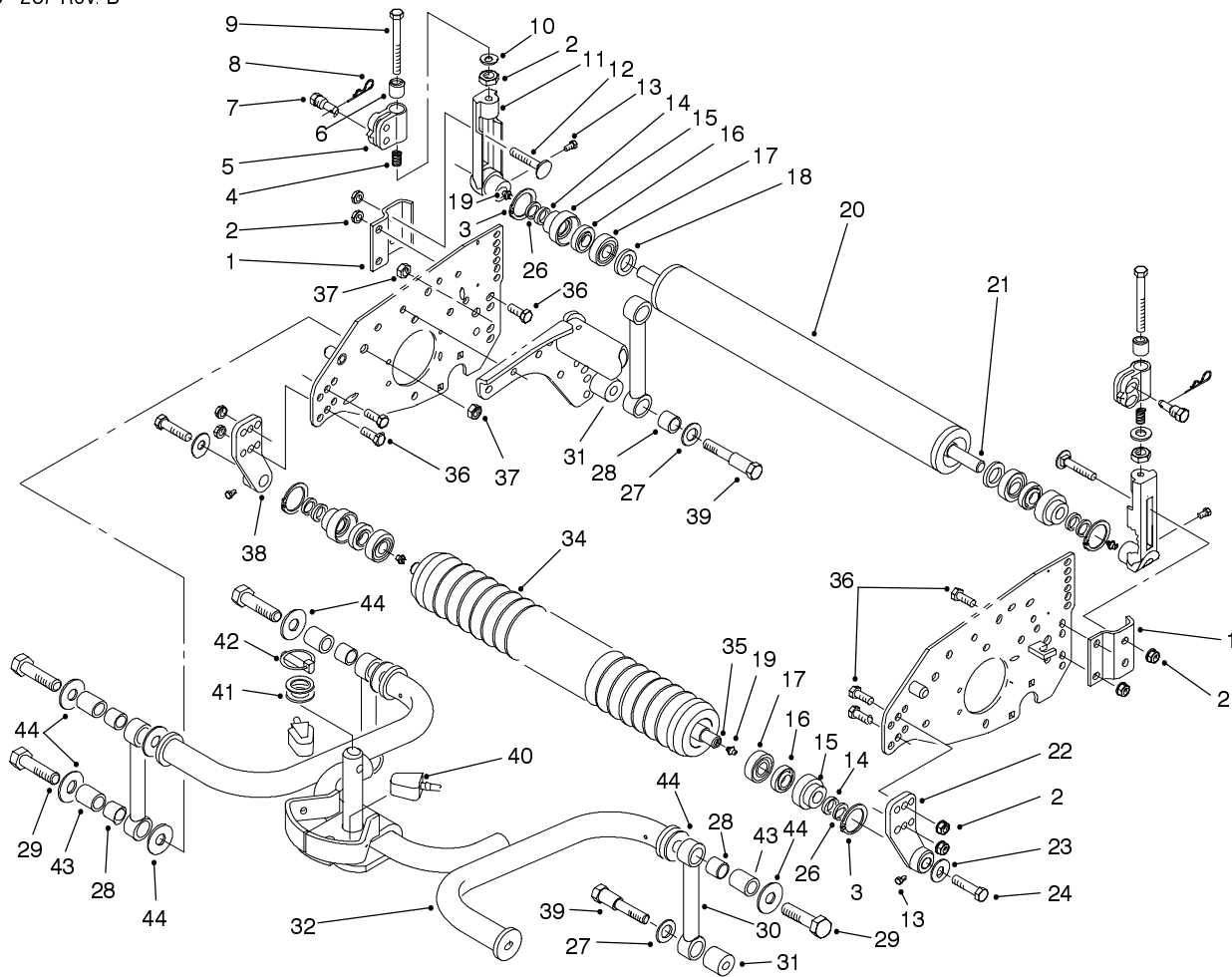
T-1980-1

## FRAME & BEDBAR ASSEMBLY

Ref. No.	Part No.	Description	No. Used
1	33104-020	Screw - HHF	3
2	3256-35	Washer	1
3	93-7510	Ring - Quad	1
4	33024-00	Nut - Lock	4
5	93-2513	Pivot Hub RH	1
6	93-2981	Sideplate - RH	1
7	93-9769	Reel Frame	1
8	93-7501	Bushing Assembly	2
9	93-7502	Bushing - Flange	2
10	33094-00	Washer - Flat	4
11	302-18	Fitting - Grease, Str.	1
14	52-2890	Bushing - Plastic	2
15	57-5260	Pivot Screw Adj.	1
16	3296-62	Nut - Lock	1
17	29-8910	Washer	2
18	93-2915	Spring - Compression	1
20	93-9767	Arm - Spring	1
23	93-2957	Bedbar Adjuster Assy.	1
24	93-2959	Spacer - Adjuster	1
25	93-2892	Pivot - Bedbar, Man. Adj.	1
26	93-2854	Bedbar	1
27	93-9774	Bedknife - Reel	1

Ref. No.	Part No.	Description	No. Used
28	57-4910	Screw - Special	8
29	32121-36	Pin - Roll	4
30	93-2571	Screw	1
31	33104-040	Screw - HHF	1
32	93-2516	Spring - Compression	1
33	93-2512	Pivot Hub LH	1
34	33105-025	Screw - HHF	8
35	93-2982	Sideplate - LH	1
36	33025-00	Nut - Lock	12
37	94-2738	Screw - Carriage	4
38	93-3008	Shield - LT	1
39	93-2996	Rear Grass Shield	1
40	94-8942	Asm. - Grass Shield (Incl. Ref. #42)	1
41	93-9759	Deflector - Grass Shield	5
42	67-7960	Decal - Danger, Reel	1
43	700382	Rivet	14
44	93-2998	Shield - RT	1
45	93-3012	Flap - Side	2
46	93-3011	Flap - Bottom	2
47	62-5510	Bushing	2
48	93-9784	Clip - Bedbar Adj.	1

\*Not Illustrated



T-1981-1

## ROLLERS & 4 BAR FRAME ASSEMBLY

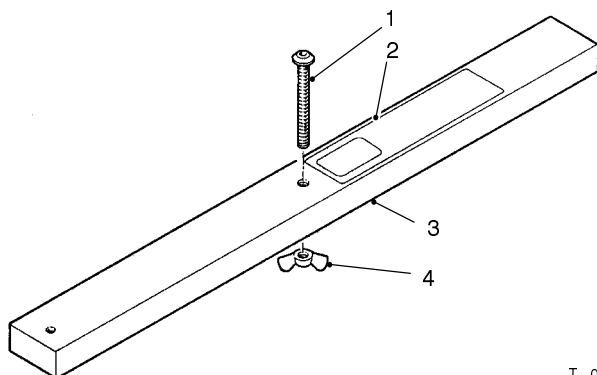
Ref. No.	Part No.	Description	No. Used
1	61-0910	Bracket - Angle	2
2	33025-00	Nut - Lock	12
3	32120-62	Snap Ring	4
4	93-2921	Spring - Compression HOC	2
5	93-2902	Support - HOC, Rear	2
6	94-4344	Spacer	2
7	93-2906	Pin - HOC	2
8	3290-467	Pin - Cotter, Hair	2
9	93-7500	Screw - HH	2
10	93-7509	Washer - Special	2
11	93-2904	Bracket - HOC, Rear	2
12	33125-030	Screw - Carriage	2
13	93-9757	Screw - HH	4
14	253-70	Seal - Oil	4
15	93-1252	Seal - Outer	4
16	93-1251	Seal - Inner	4
17	109966	Bearing - Ball	4
18	93-3007	Seal - Oil	4
19	302-5	Fitting - Grease, Straight	4
20	94-4335	Tube Assy. - Rear Roller	1
21	94-4328	Shaft - Rear Roller	1
22	94-4332	HOC Bracket - Frt. LH	1
23	3290-455	Washer - Belleville	2
24	33115-016	Screw - HH	2

Ref. No.	Part No.	Description	No. Used
26	93-2931	Washer - Roller	4
27	93-3001	Washer	2
28	94-8945	Bushing	8
29	94-2702	Bolt	6
30	93-3087	Link - 4 Bar	4
31	93-9775	Spacer	2
32	93-7407	Frame - 4 Bar	1
34	94-4336	Roller - Wiehle	1
35	94-4329	Shaft - Wiehle Roller	1
36	33105-025	Screw - HHF	8
37	94-4307	Nut - Lock	4
38	94-4333	HOC Bracket - Frt. RH	1
39	93-9777	Bolt - Shoulder, Long	2
40	93-9173	Bumper	2
41	3256-42	Washer - Flat	2
42	283-71	Pin - Lynch	1
43	94-2700	Spacer - Link	6
44	94-2701	Washer - Hardened	12
*	94-4331	Rear Roller Assembly (Incl. Ref. #3, 14-21 & 26)	1
*	94-4330	Wiehle Roller Assembly (Incl. Ref. #3, 14-19, 25 26 & 34-35)	1

\*Not Illustrated

# SPECIAL TOOLS

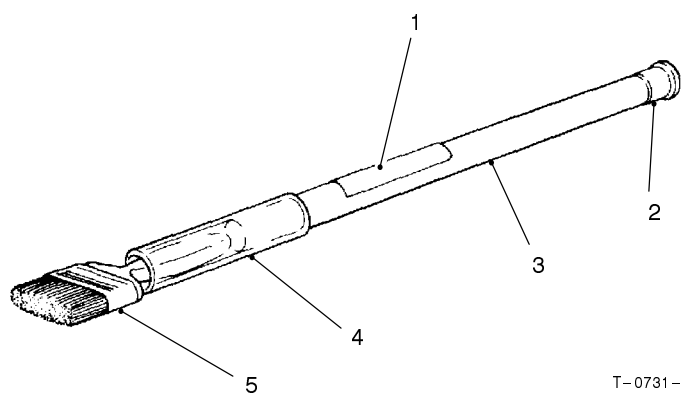
## GAUGE BAR ASSEMBLY NO. 59-7900



T-0191-1

Ref. No.	Part No.	Description	No. Used
1	32122-54	Screw - Mach. Slot. Hd.	1
2	59-7930	Decal	1
3		Bar	1
4	32103-3	Nut - Wing	1

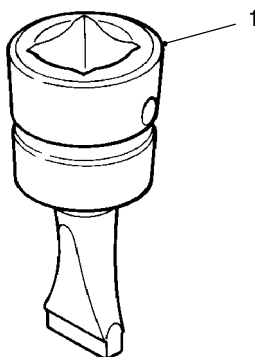
## BACKLAPPING BRUSH ASSEMBLY NO. \*TOR299100



T-0731-1

Ref. No.	Part No.	Description	No. Used
1	12-9140	Decal	1
2	2410-18	Plug	1
3	29-9080	Handle	1
4	29-9090	Hose - Handle	1
5	36-4310	Brush	1

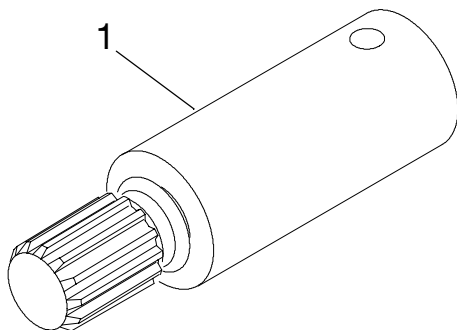
## BEDKNIFE SCREW TOOL NO. \*TOR510880



T-0729-1

Ref. No.	Part No.	Description	No. Used
1		Tool - Bedknife Screw	1

## REEL DRIVE SHAFT NO. \*TOR4075



T-2383-2

Ref. No.	Part No.	Description	No. Used
1		Shaft - Reel Drive	1

\*Obtain these items directly from OTC 2013 4th St. Owatonna, MN. 55060 1-800-533-0492  
(in Minnesota and Canada 1-507-455-7050) Fax. 507-455-7011.

# TORO PART NUMBER INDEX

Part No.	Description	Pg. Ref. No. No. Qty.	Part No.	Description	Pg. Ref. No. No. Qty.
109966	Bearing – Ball	4 17 4	93-9775	Spacer	4 31 2
700382	Rivet	3 43 14	93-9777	Bolt – Shoulder, Long	4 39 2
12-9140	Decal	5 1 1	93-9783	O-Ring	1 8 10
29-8910	Washer	3 17 2	93-9784	Clip – Bedbar Adj.	3 48 1
29-9080	Handle	5 3 1	93-9786	Nut – Bearing Adj.	1 10 1
29-9090	Hose – Handle	5 4 1	93-9794	Housing – Bearing, RH	1 2 1
36-4310	Brush	5 5 1	93-9795	Housing – Bearing, LH	1 7 1
51-0880	Tool – Bedknife Screw	5 1 1	94-2700	Spacer – Link	4 43 6
52-2890	Bushing – Plastic	3 14 2	94-2701	Washer – Hardened	4 44 12
57-4910	Screw – Special	3 28 8	94-2702	Bolt	4 29 6
57-5260	Pivot Screw Adj.	3 15 1	94-2732	Insert – Threaded RH	1 5 1
59-7930	Decal	5 2 1	94-2733	Insert – Threaded LH	1 * 1
61-0910	Bracket – Angle	4 1 2	94-2738	Screw – Carriage	3 37 4
62-5510	Bushing	3 47 2	94-4307	Nut – Lock	4 37 4
67-7960	Decal – Danger, Reel	3 42 1	94-4328	Shaft – Rear Roller	4 21 1
93-1251	Seal – Inner	4 16 4	94-4329	Shaft – Wiehle Roller	4 35 1
93-1252	Seal – Outer	4 15 4	94-4330	Wiehle Roller Assembly	4 * 1
93-2489	Bearing	1 3 2	94-4331	Rear Roller Assembly	4 * 1
93-2512	Pivot Hub LH	3 33 1	94-4332	HOC Bracket – Frt. LH	4 22 1
93-2513	Pivot Hub RH	3 5 1	94-4333	HOC Bracket – Frt. RH	4 38 1
93-2516	Spring – Compression	3 32 1	94-4335	Tube Assy. – Rear Roller	4 20 1
93-2571	Screw	3 30 1	94-4336	Roller – Wiehle	4 34 1
93-2854	Bedbar	3 26 1	94-4337	Reel Assembly Model 03854	1 6 1
93-2892	Pivot – Bedbar, Man. Adj.	3 25 1	94-4338	Reel Assembly Model 03856	1 * 1
93-2902	Support – HOC, Rear	4 5 2	94-4344	Spacer	4 6 2
93-2904	Bracket – HOC, Rear	4 11 2	94-6980	Sensor – Speed	2 25 2
93-2906	Pin – HOC	4 7 2	94-8908	Seal – Grease	1 4 2
93-2915	Spring – Compression	3 18 1	94-8942	Asm. – Grass Shield	3 40 1
93-2921	Spring – Compression HOC	4 4 2	94-8945	Bushing	4 28 8
93-2922	Ring – Bearing	2 27 2	237-30	O-Ring	2 26 2
93-2931	Washer – Roller	4 26 4	2410-18	Plug	5 2 1
93-2956	Bearing	1 19 1	253-70	Seal – Oil	4 14 4
93-2957	Bedbar Adjuster Assy.	3 23 1	253-165	Seal – Outer	1 18 1
93-2959	Spacer – Adjuster	3 24 1	283-71	Pin – Lynch	4 42 1
93-2981	Sideplate – RH	3 6 1	302-5	Fitting – Grease, Straight	4 19 4
93-2982	Sideplate – LH	3 35 1	302-11	Fitting – Grease 45°	1 15 2
93-2996	Rear Grass Shield	3 39 1	302-18	Fitting – Grease, Str.	3 11 1
93-2998	Shield – RT	3 44 1	3256-23	Washer – Flat	1 21 1
93-3001	Washer	4 27 2	3256-35	Washer	3 2 1
93-3007	Seal – Oil	4 18 4	3256-42	Washer – Flat	4 41 2
93-3008	Shield – LT	3 38 1	3290-455	Washer – Belleville	4 23 2
93-3011	Flap – Bottom	3 46 2	3290-467	Pin – Cotter, Hair	4 8 2
93-3012	Flap – Side	3 45 2	3296-62	Nut – Lock	3 16 1
93-3076	Asm. – Weight, End	2 * 2	32103-3	Nut – Wing	5 4 1
93-3080	Weight – Housing, End	1 20 1	32120-62	Snap Ring	4 3 4
93-3085	Asm. – Shaft, Magnet	1 17 1	32121-36	Pin – Roll	3 29 4
93-3087	Link – 4 Bar	4 30 4	32121-69	Pin – Roll	1 9 4
93-3088	Clamp	1 23 2	32122-54	Screw – Mach. Slot. Hd.	5 1 1
93-3094	Plug – Cap	1 13 1	33024-00	Nut – Lock	3 4 4
93-4347	Weight – End	1 11 3	33024-00	Nut – Lock	1 22 1
93-7407	Frame – 4 Bar	4 32 1	33025-00	Nut – Lock	4 2 12
93-7500	Screw – HH	4 9 2	33025-00	Nut – Lock	1 16 4
93-7501	Bushing Assembly	3 8 2	33025-00	Nut – Lock	3 36 12
93-7502	Bushing – Flange	3 9 2	33094-00	Washer – Flat	3 10 4
93-7509	Washer – Special	4 10 2	33103-020	Screw – HH	1 24 2
93-7510	Ring – Quad	3 3 1	33104-020	Screw – HHF	3 1 3
93-7522	Screw – HH	1 12 2	33104-040	Screw – HHF	3 31 1
93-8717	Plug	2 28 1	33105-025	Screw – HHF	3 34 8
93-9173	Bumper	4 40 2	33105-025	Screw – HHF	4 36 8
93-9757	Screw – HH	4 13 4	33105-030	Screw – HHF	1 14 4
93-9759	Deflector – Grass Shield	3 41 5	33105-060	Screw – HHF	1 1 2
93-9767	Arm – Spring	3 20 1	33115-016	Screw – HH	4 24 2
93-9769	Reel Frame	3 7 1	33125-030	Screw – Carriage	4 12 2
93-9774	Bedknife – Reel	3 27 1			

\*Not Illustrated

### PRODUCT CHANGES

In an effort to make improvements available to TORO owners as quickly as possible, minor changes are incorporated into Toro's products from time to time that do not become immediately shown in the Parts Catalog. If such a change has been made in your unit, which is not reflected in your manual, see your TORO Distributor or his Authorized TORO Service Dealer for information and part numbers.

### COUNTRIES OTHER THAN THE UNITED STATES OR CANADA

Customers who have purchased TORO products exported from the United States or Canada should contact their Toro Distributor (Dealer) to obtain guarantee policies for your country, province or state. If for any reason you

are dissatisfied with your Distributor's service or have difficulty obtaining guarantee information, contact the TORO importer. If all other remedies fail, you may contact us at The Toro Company.

### MAINTENANCE RECORD

Date									

# MAINTENANCE RECORD

Date								