



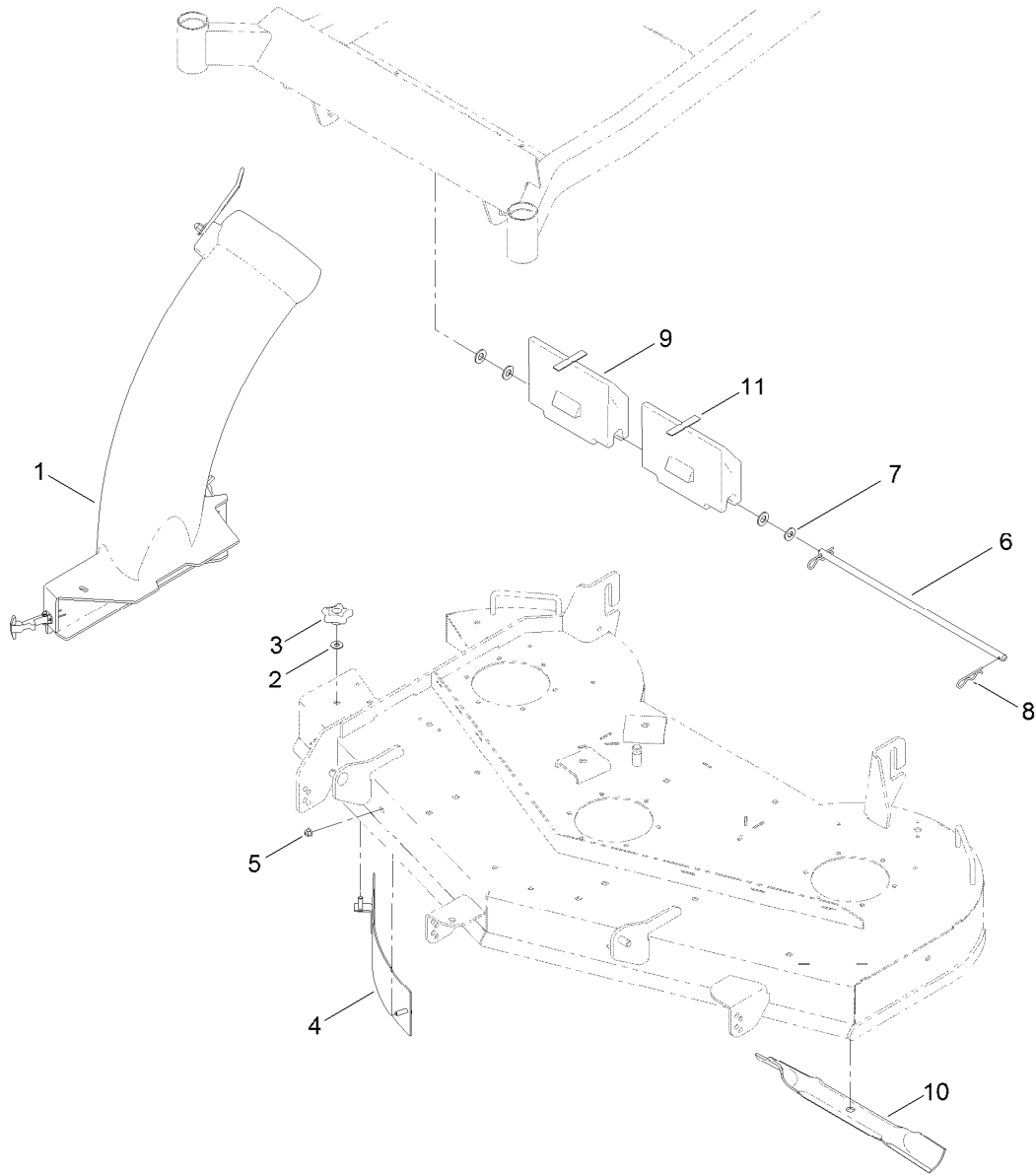
Count on it.

Parts Catalog

54-inch Bagger Finishing Kit

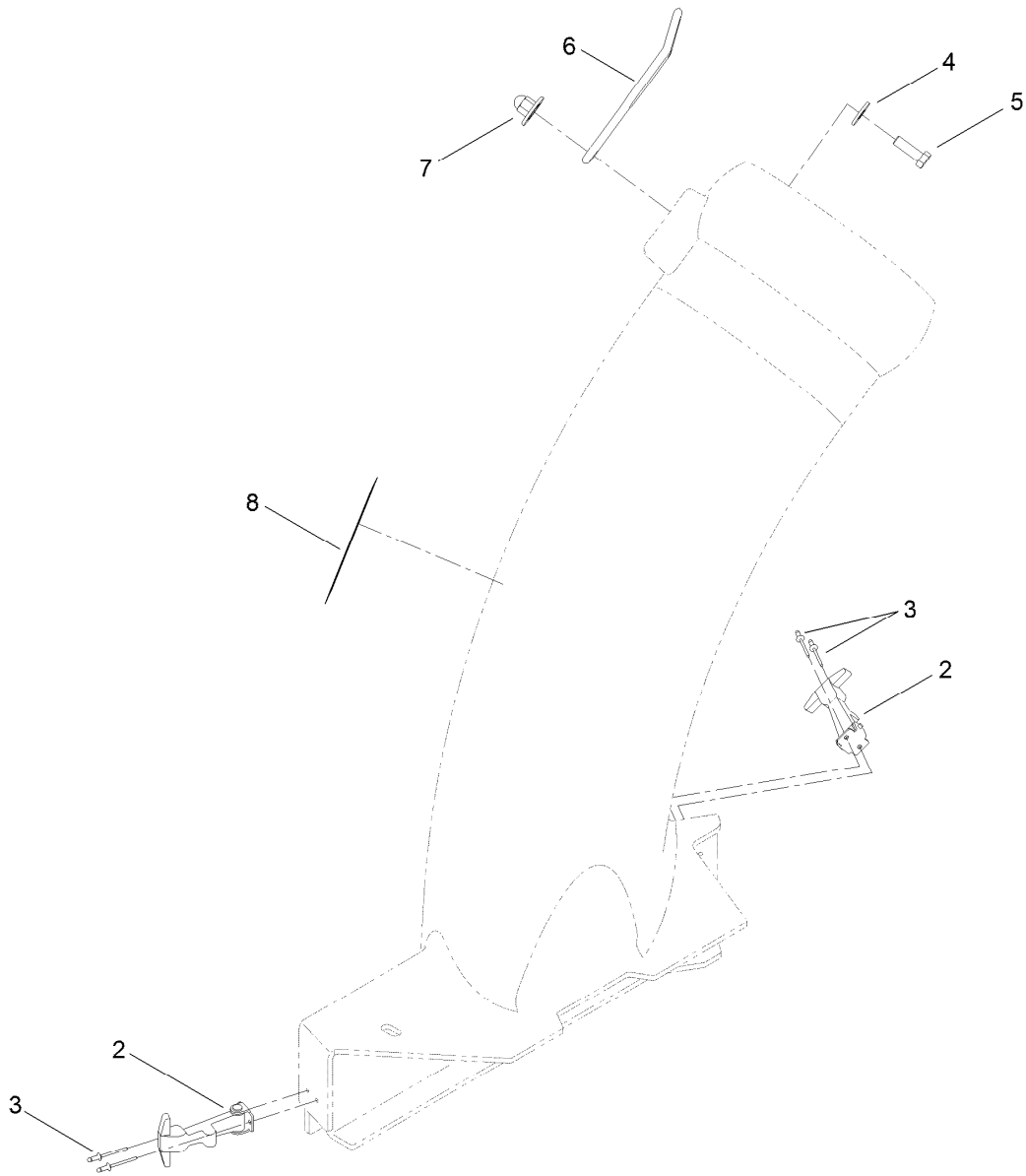
TITAN ZX/MX Series Riding Mower

Model No. 121-5663



54 Inch Bagger Finishing Kit Assembly No. 121-5663

<i>Ref.</i>	<i>Part Number</i>	<i>Qty.</i>	<i>Description</i>
1	120-5526	1	Chute ASM
2	3256-3	1	Washer-Flat
3	108-8162	1	Knob-Locking
4	120-5503-03	1	Baffle-Bagger
5	104-8300	1	Nut-Flange, NI
6	115-5030	1	Rod-Deck, Pivot
7	3256-26	4	Washer-Flat
8	3290-355	2	Pin-Hair
9	115-9640-03	2	Weight-Bagger
10	115-2454-03	3	Blade-Hi Lift, 18.75 Inch
11	112-4033	2	Bumper-Pad



Chute Assembly No. 120-5526

<i>Ref.</i>	<i>Part Number</i>	<i>Qty.</i>	<i>Description</i>
2	117344	2	Handle ASM
3	3269-31	4	Rivet-Pop
4	3256-3	1	Washer-Flat
5	322-5	1	Screw-HH
6	82-5690	1	Retainer-Duct
7	114-9015	1	Nut-Impeller
8	110-6691	1	Decal-Danger



Count on it.