



48, 54, and 60 Inch Bagger Finishing Kit

TITAN ZX/MX Series Riding Mower

Model No. 121-5662

Model No. 121-5663

Model No. 121-5664

Installation Instructions



This kit requires the Bagger Kit 79328 to complete installation. Contact your Authorized Service Dealer or Toro Customer Service to obtain the necessary parts. For more information, visit us at www.Toro.com.

Safety

Important: The ROPS roll bar is an integral and effective safety device. Keep the roll bar in the fully raised and locked position when operating the mower. Lower the roll bar temporarily only when absolutely necessary.

Safety and Instructional Decals



Safety decals and instructions are easily visible to the operator and are located near any area of potential danger. Replace any decal that is damaged or lost.



110-6691

1. Thrown object hazard—keep bystanders a safe distance from the machine.
2. Thrown object hazard, mower—do not operate without the deflector, discharge cover, or grass collection system in place.
3. Cutting/dismemberment of hand or foot—stay away from moving parts.

Installation

Loose Parts

Use the chart below to verify that all parts have been shipped.

Procedure	Description	Qty.	Use
1	Weight	2	Install the weight (Machines without a ROPS).
	Adhesive bumper	2	
	Rod	1	
	Washer	4	
	Hair pin	2	
	Spacer	8	
2	Straight baffle (48 inch mower decks only)	1	Install the chute for 48 and 54 inch mower decks.
	Curved baffle (54 inch mower decks only)	1	
	Lock nut (5/16 inch)	1	
	Hand knob	1	
	Washer	1	
	Chute	1	
3	Curved baffle	1	Install the chute for 60 inch mower decks (Model year 2010 and newer).
	Lock nut (5/16 inch)	1	
	Hand knob	1	
	Washer	1	
	Chute	1	
4	Circular cotter pin	1	Install the bagger top.
5	No parts required	–	Connect with the discharge tube.
6	Hi-Lift blade	3	Install the blades.

1

Installing the Weight

Parts needed for this procedure:

2	Weight
2	Adhesive bumper
1	Rod
4	Washer
2	Hair pin
8	Spacer

Procedure

Use the following table to determine the number of weights needed for your machine. For certain machines, not all weights included with the kit will be used.

Number of Weights to Use

Size of Mower Deck	Machine with a ROPS	Machine without a ROPS
48 inch	2 weights	1 weight and spacers
54 inch	2 weights	1 weight and spacers
60 inch	1 weight and spacers	No weight used

- Determine the number of weights needed for your machine.
- For all MX Titan machines and all machines with 60 inch mower decks, remove the 2 nuts and bolts that secure the front of the mower housing pan (Figure 1).

Note: Save the nuts and bolts to secure the front of the mower housing pan later.

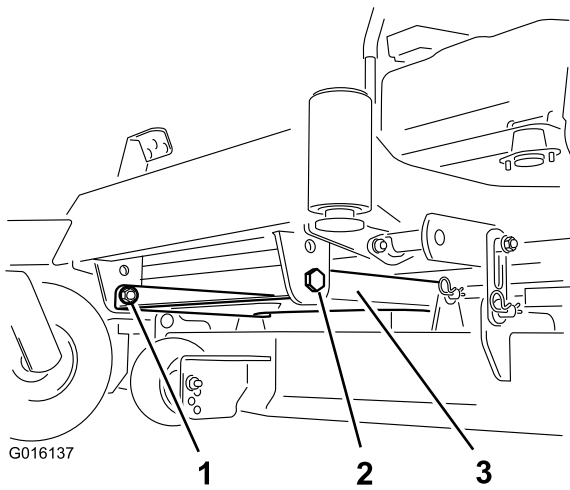


Figure 1

- | | |
|---------|----------------------|
| 1. Nut | 3. Mower housing pan |
| 2. Bolt | |

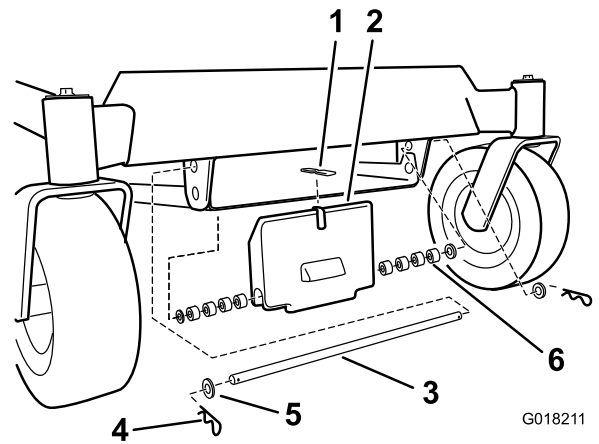


Figure 3
Installation of 1 weight

- | | |
|--------------------|---------------------------------------|
| 1. Adhesive bumper | 4. Hair pin |
| 2. Front weight | 5. Washer |
| 3. Rod | 6. Spacers (used for one weight only) |

3. Install an adhesive bumper to the weight (Figure 2 and Figure 3).

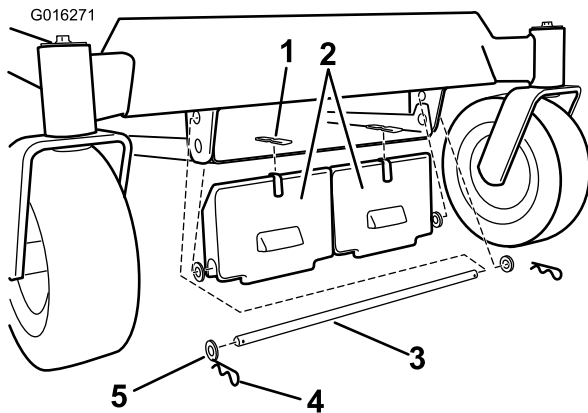


Figure 2
Installation of 2 weights

- | | |
|--------------------|-------------|
| 1. Adhesive bumper | 4. Hair pin |
| 2. Front weight | 5. Washer |
| 3. Rod | |

4. Install the weight to the front of the machine frame.
5. Secure the weight with a rod, four washers, and two hair pins as shown in Figure 2. Use the 8 spacers if installing just one front weight as shown in Figure 3.

Note: When installing the front weight allow it to rest on the front lip of the underside of the machine frame as shown Figure 4. This will suspend the weight while you secure it to the machine. Use care not to dislodge the weight when installing the supporting rod.

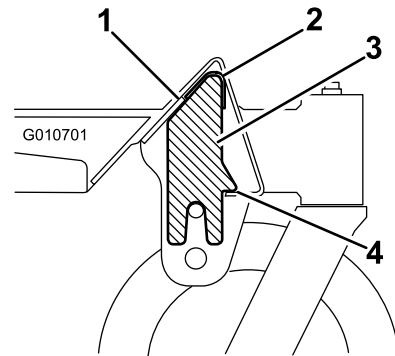


Figure 4

- | | |
|--|--|
| 1. Cutaway of the front of the machine frame | 3. Weight |
| 2. Bumper | 4. Rest the weight here during install |

6. For all MX Titan machines and all machines with 60 inch mower decks, install the front of the mower housing pan using the nuts and bolts previously removed (Figure 1).

Important: Whenever you remove the bagger attachment, remember to remove the front weight to return the proper stability to the machine.

2

Installing the Chute for 48 and 54 inch Mower Decks

Parts needed for this procedure:

1	Straight baffle (48 inch mower decks only)
1	Curved baffle (54 inch mower decks only)
1	Lock nut (5/16 inch)
1	Hand knob
1	Washer
1	Chute

Procedure

Use this procedure when installing the Finishing Kit on machines with 48 and 54 inch mower decks.

⚠ WARNING

An uncovered discharge opening could allow the lawn mower to throw objects in the operator or bystander's direction and result in serious injury. Also, contact with the blade could occur.

Never operate the lawn mower unless you install a cover plate, a mulch plate, or a grass chute and catcher.

Never operate the mower with the discharge opening uncovered. A discharge cover, mulch cover or bagging chute must always be used when the mower deck is operated.

1. Remove fasteners securing the deflector assembly and existing cut off baffle to the mower deck (Figure 5). Retain all fasteners.

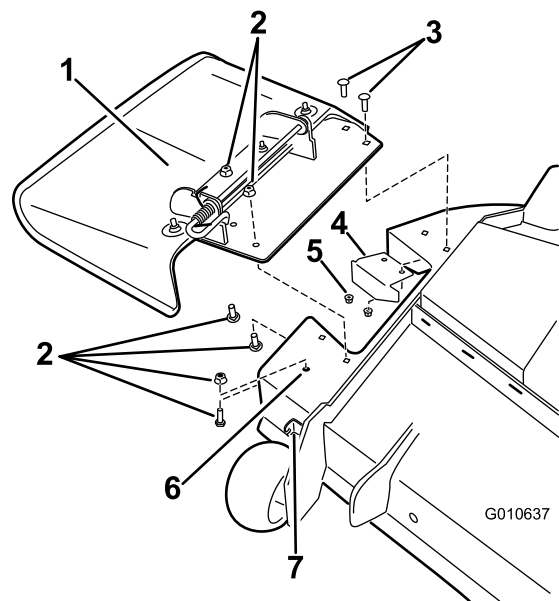


Figure 5

1. Deflector assembly
2. Fasteners (existing), retain
3. Carriage bolt (existing)
4. Cut off baffle (existing)
5. Lock nut (existing)
6. Forward hole
7. Front retaining clasp

2. For 54 inch mower decks only, remove the fasteners plugging the forward hole.
3. **Remove the deflector assembly and reinstall the cut off baffle.** Retain all parts to convert the deck to side discharge.
4. Install a baffle to the mower deck (Figure 6). **For 48 inch decks, use a straight baffle. For 54 inch decks, use a curved baffle.** Align the vertical post on the baffle inside the mower deck. Rotate the baffle until the horizontal post aligns with the hole in the front wall of the mower deck. Secure it to the front wall of the mower deck using a lock nut.

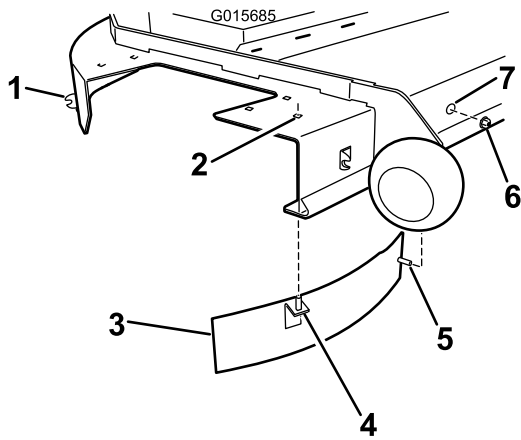


Figure 6

1. Retaining clasp
2. Forward hole
3. Baffle (curved shown)
4. Vertical post
5. Horizontal post
6. Lock nut
7. Front wall hole

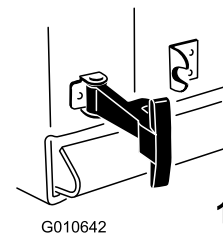


Figure 8

1. Flexible latch and retaining clasp

3

Installing the Chute for 60 inch Mower Decks (Model Year 2010 and Newer)

Parts needed for this procedure:

1	Curved baffle
1	Lock nut (5/16 inch)
1	Hand knob
1	Washer
1	Chute

Procedure

Use this procedure when installing the Finishing Kit on machines with 60 inch mower decks (Model year 2010 and newer).

▲ WARNING

An uncovered discharge opening could allow the lawn mower to throw objects in the operator or bystander's direction and result in serious injury. Also, contact with the blade could occur.

Never operate the lawn mower unless you install a cover plate, a mulch plate, or a grass chute and catcher.

Never operate the mower with the discharge opening uncovered. Always use a discharge cover, mulch cover, or bagging chute when operating the mower deck.

1. Remove fasteners that secure the deflector assembly to the mower deck (Figure 9).

Note: Retain all fasteners.

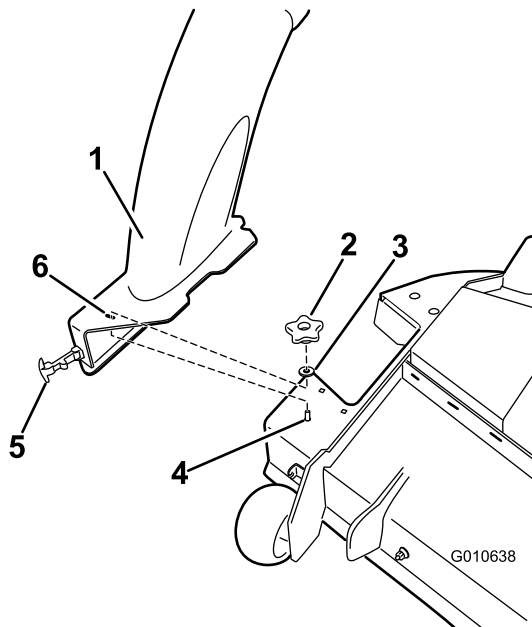


Figure 7

1. Discharge chute
2. Hand knob
3. Washer
4. Post in curved baffle
5. Front flexible latch
6. Opening in the top of the chute

6. Install a washer and hand knob over the post coming through the chute top. Hand tighten to secure the chute to the mower deck.
7. Hook the front flexible latch on the chute to the retaining clasp welded to the front wall of the mower deck (Figure 8). Hook the flexible latch on the back of the chute to the retaining clasp welded to the rear wall of the mower deck.

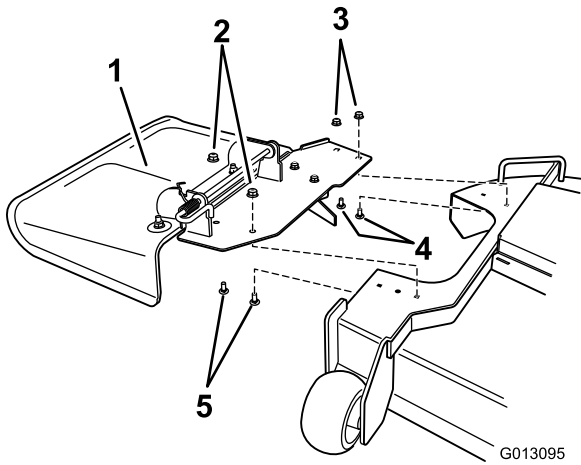


Figure 9

- | | |
|-------------------------------|-------------------------------------|
| 1. Deflector assembly | 4. Carriage bolt (existing; reuse) |
| 2. Locknut (existing; retain) | 5. Carriage bolt (existing; retain) |
| 3. Locknut (existing, reuse) | |

- Remove the deflector assembly.

Note: Retain all parts to convert the mower deck to side discharge.

- Locate and install the angled cutoff baffle to the mower deck at the rear holes in the mower deck (Figure 10).

Note: Use the existing fasteners from that location to secure the angled cut off baffle to the mower deck.

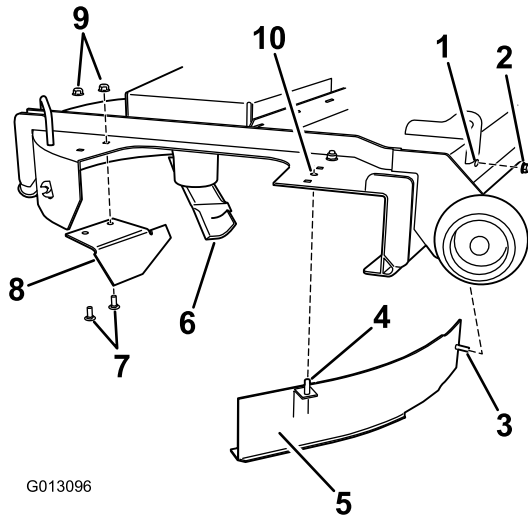


Figure 10

- | | |
|---|--|
| 1. Hole in front wall of the mower deck | 6. High lift blade |
| 2. Locknut | 7. Carriage bolt (existing; reuse) |
| 3. Horizontal post, curved baffle | 8. Angled cutoff baffle |
| 4. Vertical post, curved baffle | 9. Locknut (existing; reuse) |
| 5. Curved baffle | 10. Center, forward hole in mower deck |

- Install the curved baffle to the mower deck (Figure 10).
 - Align the vertical post in the curved baffle with center, forward hole in the mower deck and the horizontal post with the hole in the front wall of the mower deck.
 - Secure horizontal post to the front wall of the mower deck using a locknut.
- Install the chute to the mower deck.

Note: Ensure that the opening in top of the chute aligns with the exposed post on the mower deck top and the forward vertical plate mates with the folded metal bracket of the chute (Figure 11).

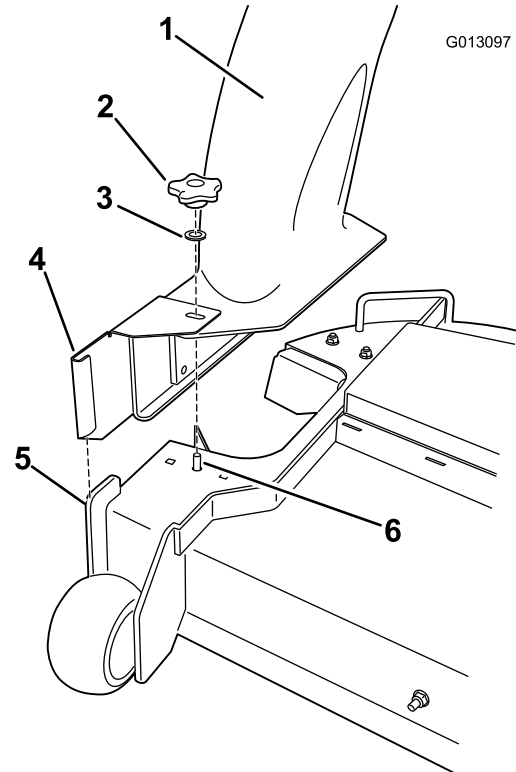


Figure 11

- | | |
|--------------------|--|
| 1. Discharge chute | 4. Folded metal bracket, chute |
| 2. Hand knob | 5. Forward vertical plate, deck |
| 3. Washer | 6. Exposed post in the mower deck, curved baffle |

- Install a washer and hand knob over the post coming through the chute top (Figure 11).
- Hand tighten the knob to secure the chute to the mower deck.
- Hook the flexible latch on the chute to the retaining clasp welded to the side wall of the mower deck (Figure 12).

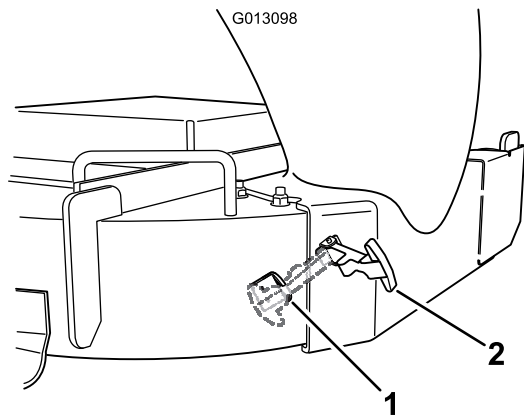


Figure 12

1. Retaining clasp 2. Flexible latch

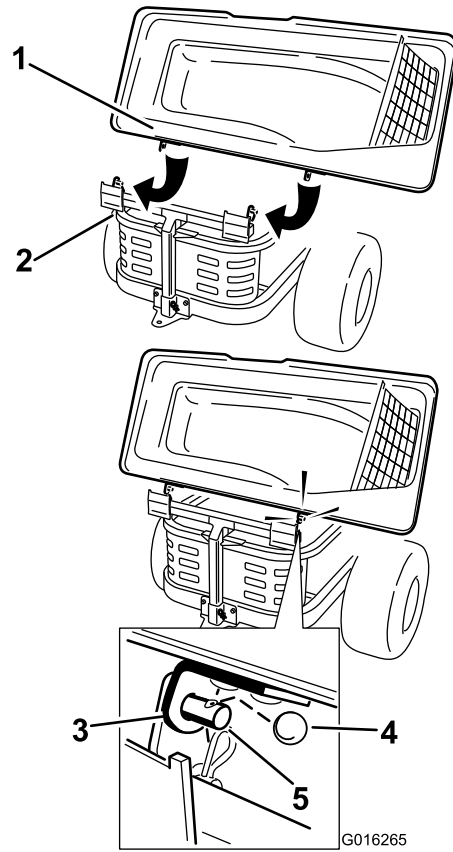


Figure 13

1. Bagger top 4. Circular cotter pin
 2. Bagger frame 5. Post
 3. Bracket, bagger top

4

Installing the Bagger Top

Parts needed for this procedure:

1	Circular cotter pin
---	---------------------

Procedure

1. Install the bagger top to the bagger frame. Slide the brackets over the posts in the bagger frame and install the circular cotter into the hole in the right hand post (Figure 13). Rotate the bagger top down to the operating position. The bagger top is easier to install if two people work together.

Note: To remove the circular cotter, continue to rotate it in the same direction as installed.

- Lift the bagger top and install the bags by sliding the bag frame hooks onto the retaining brackets (Figure 14).

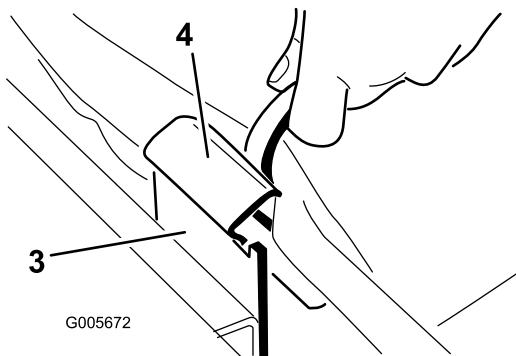
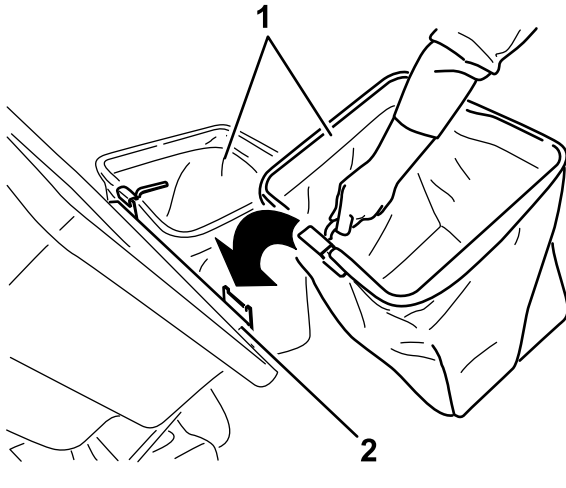


Figure 14

- | | |
|-----------------|----------------------|
| 1. Bag | 3. Retaining bracket |
| 2. Bagger frame | 4. Bag frame hook |

- Lower the bagger top onto the bag (Figure 15).

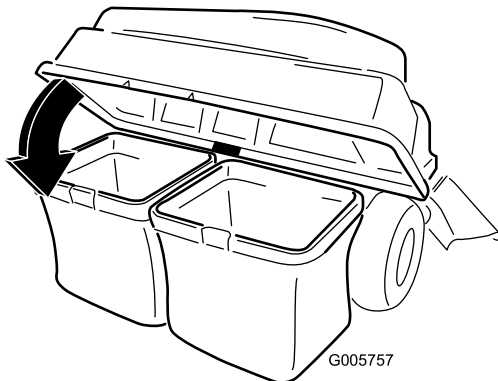


Figure 15

5

Connecting with the Discharge Tube

No Parts Required

Procedure

- Slide the curved end of the discharge tube into the opening in the bagger top (Figure 16).

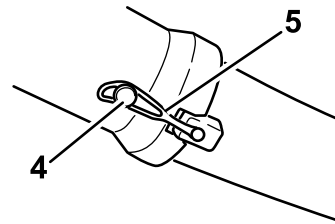
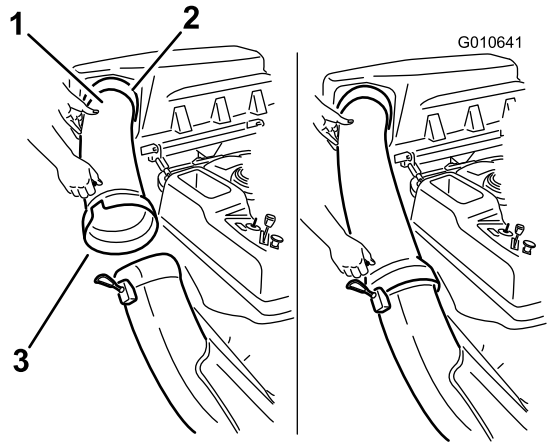


Figure 16

- | | |
|-------------------------------|-----------------|
| 1. Discharge tube, curved end | 4. Peg |
| 2. Opening in bagger top | 5. Rubber strap |
| 3. Discharge tube, flared end | |

- Slide the flared end of the discharge tube over the end of the chute. Move the rubber retaining strap on the chute snaps over the peg on the discharge tube to secure it (Figure 16).

6

Installing the Blades

Parts needed for this procedure:

3	Hi-Lift blade
---	---------------

Procedure

1. Remove the existing mower blades installed on your mower deck. Refer to the Removing the Blades section in the *Operator's Manual* for more information.
2. Install the Hi-Lift mower blades located in loose parts. Refer to the Installing the Blades section in the *Operator's Manual* for more information.

Maintenance

Removing the Finishing Kit

Whenever the bagger kit is removed, the finishing kit should be removed using the following procedure. Retain all parts for future installation.

⚠ CAUTION

Removing the bagger changes the weight distribution of the machine. Operating the machine with the front weights installed without the bagger may cause an unstable condition which could result in a loss of control.

Ensure the front weights are properly removed before operating the machine without the bagger attachment.

1. Remove the front weights. Remove the fastener securing the weight to the machine. Take care to control the weight as the support rod is removed.
2. Remove the discharge tube from the machine.
3. Install the cut off baffle (Figure 17).
Replace the previously removed cutoff baffle for 60 inch mower decks (Figure 10).
4. Install the deflector assembly (Figure 17 and Figure 18).
5. For 54 inch mower decks only, replace the nut and bolt in the forward hole (Figure 17).

⚠ WARNING

An uncovered discharge opening could allow the lawn mower to throw objects in the operator or bystander's direction and result in serious injury. Also, contact with the blade could occur.

Never operate the lawn mower unless you install a cover plate, a mulch plate, or a grass chute and catcher.

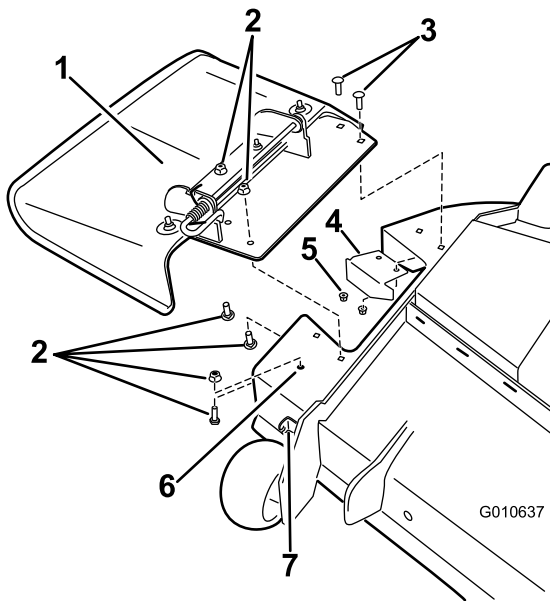


Figure 17

48 and 52 inch Mower Deck

- | | |
|------------------------------------|-------------------------------|
| 1. Deflector assembly | 5. Lock nut (existing), reuse |
| 2. Fasteners (existing), retain | 6. Forward hole |
| 3. Carriage bolt (existing), reuse | 7. Front retaining clasp |
| 4. Cut off baffle (existing) | |

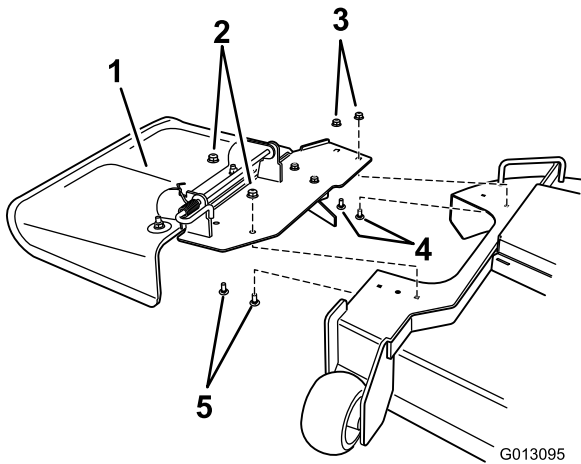


Figure 18

60 inch Mower Deck

- | | |
|-------------------------------|-------------------------------------|
| 1. Deflector assembly | 4. Carriage bolt (existing; reuse) |
| 2. Locknut (existing; retain) | 5. Carriage bolt (existing; retain) |
| 3. Locknut (existing, reuse) | |

6. Replace the mower blades.
 - Remove the Hi-Lift mower blades installed on your mower deck. Refer to the Removing the

Blades section in the *Operator's Manual* for more information.

- Install the standard mower blades removed previously. Refer to the Installing the Blades section in the *Operator's Manual* for more information.

Important: The ROPS roll bar is an integral and effective safety device. Keep the roll bar in the fully raised and locked position when operating the mower. Lower the roll bar temporarily only when absolutely necessary.

Notes:



Count on it.