



**Count on it.**

**Parts Catalog**

**TRX-20 Trencher**

**Model No. 22973—Serial No. 312000001 and Up**

**Model No. 22973G—Serial No. 312000001 and Up**

# Ordering Replacement Parts

To order replacement parts, please supply the part number, the quantity, and the description of each part desired.

## Understanding Reference Numbers

Each identified part in an illustration has a reference number. The reference number for a part also appears in the parts list, along with other information about the part.

This catalog uses two special reference number formats, one to indicate parts in a service assembly and another to indicate the quantity of a given part in an illustration.

## Service Assembly Reference Numbers

Parts in service assemblies have reference numbers in the form a:b. The a represents the reference number of the entire service assembly and the b represents a sequential number unique to each part within the service assembly.

For example, a wheel assembly might be identified by reference number 6, the tire by 6:1, the valve by 6:2, and the wheel by 6:3. When you order the assembly identified by reference number 6, you receive all parts identified by reference numbers 6:1, 6:2, and 6:3. However, you may also order any part individually. Reference numbers of this type appear in illustration and in parts lists.

## Reference Numbers Indicating Quantity

In an illustration, if a reference number indicates more than one part, the reference number has the form nX y. The n represents the quantity of the part, the X is the multiplication symbol, and the y represents the reference number.

For example, in an illustration, the reference number 2X 37 means that two of the parts identified by reference number 37 are indicated.

# List of Abbreviations

**AR:** as required

**ASM:** assembly

**BBC:** blade brake control

**BHTF:** button head thread forming

**CARR:** carriage

**CCW:** counter clockwise

**CW:** clockwise

**DEG:** degrees

**DPA:** Dual Point Adjustment

**ECM:** electronic control module

**EXT:** external

**FH:** flat head

**GA:** gauge

**HD:** heavy-duty

**HF:** hex flange

**HH:** hex head

**HHF:** hex head flange

**HHFTF:** hex head flange thread forming

**HJ:** hex jam

**HLH:** hex lag head

**HOC:** height-of-cut

**HSBH:** hex socket button head

**HSFH:** hex socket flat head

**HSH:** hex socket head

**HWH:** hex washer head

**HWHTF:** hex washer head thread forming

**HYD:** hydraulic

**LH:** left hand

**LP:** Liquid Propane

**NI:** nylon insert

**NPTF:** national pipe thread fine

**PFH:** phillips flat head

**PPH:** phillips pan head

**PPHTF:** phillips pan head thread forming

**PRH:** phillips round head

**PTH:** phillips truss head

**PTO:** power-take-off

**RH:** right hand

**ROPS:** roll-over protection system

**RRB:** rear roller brush

**SFH:** slotted fillister head

**SHH:** slotted hex head

**SHWH:** slotted hex washer head

**SPH:** slotted pan head

**SQH:** square head

**SRH:** slotted round head

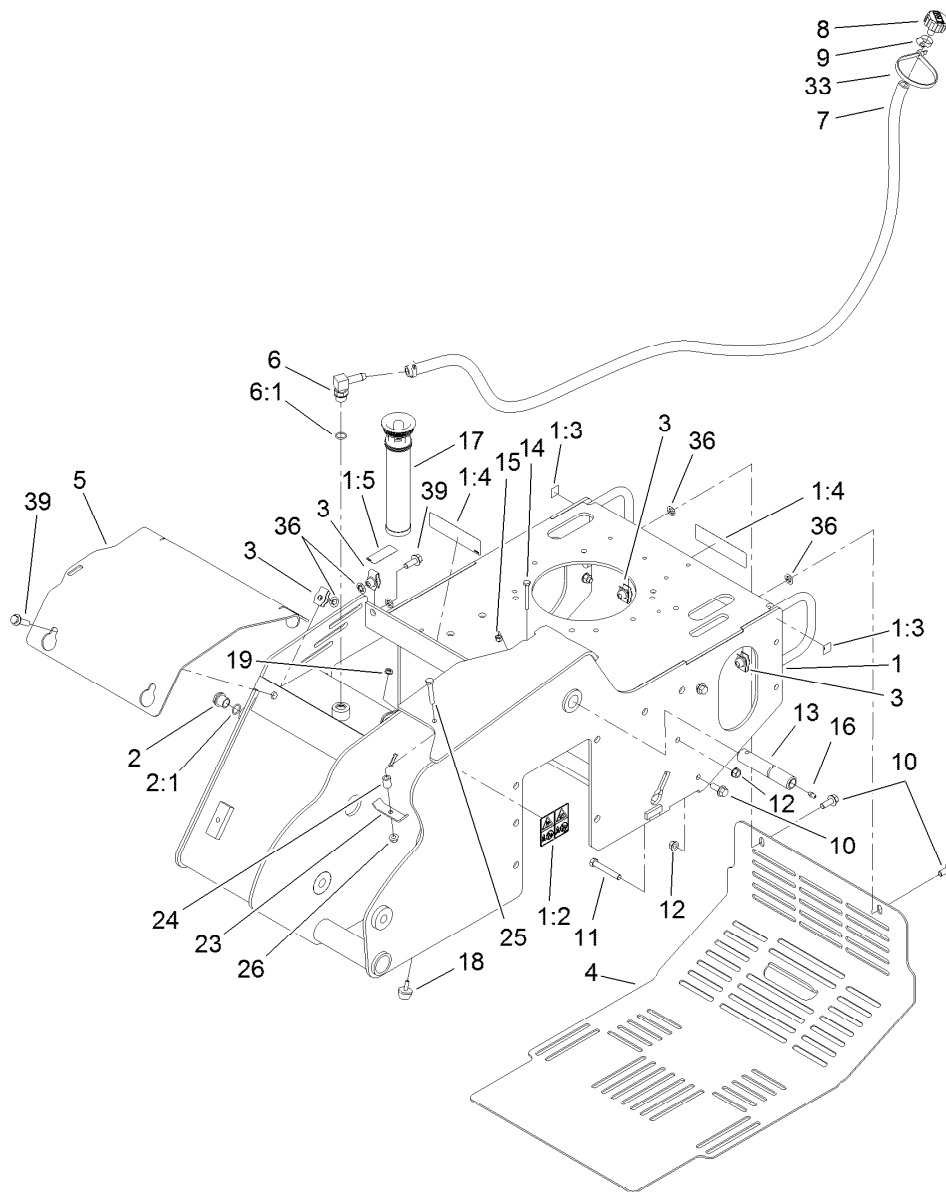
**STD:** standard

**TAP:** self tapping

**TTH:** torx truss head

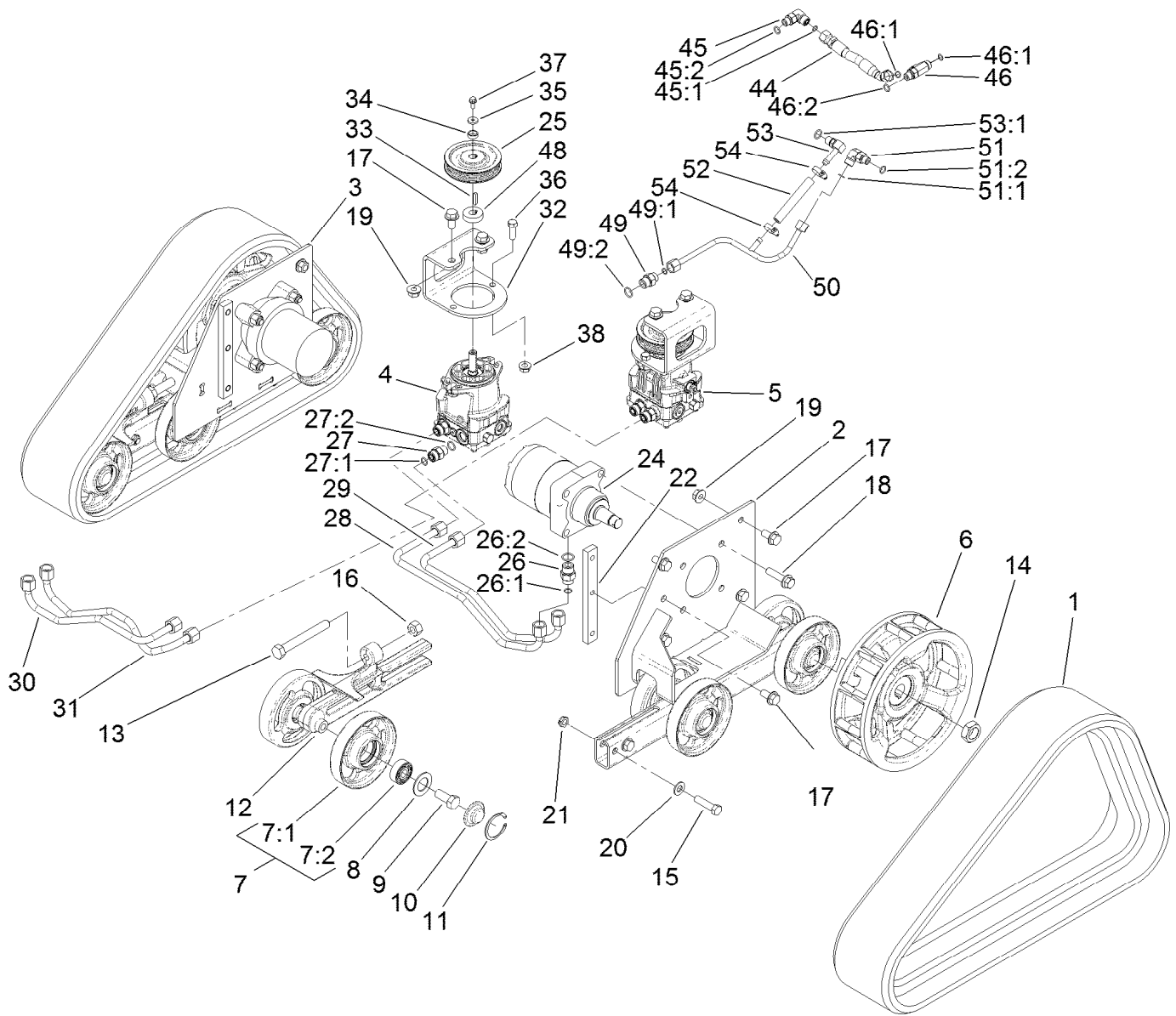
# Contents

|  |    |
|--|----|
| Main Frame Assembly . . . . .                      | 4  |
| Track and Drive Assembly . . . . .                 | 5  |
| Hydraulic Pump Assembly No. 117-6409 . . . . .     | 7  |
| Hydraulic Pump Assembly No. 117-6410 . . . . .     | 8  |
| Hydraulic Motor Assembly No. 104-8470 . . . . .    | 9  |
| Parking Brake Assembly . . . . .                   | 10 |
| Engine Assembly . . . . .                          | 11 |
| Gear Pump Assembly No. 114-3072 . . . . .          | 13 |
| Control Assembly . . . . .                         | 14 |
| Trencher Assembly . . . . .                        | 16 |
| Hydraulic Motor Assembly No. 114-3053 . . . . .    | 17 |
| Hydraulic Cylinder Assembly No. 112-2602 . . . . . | 18 |
| Control Tower Assembly . . . . .                   | 19 |
| Hydraulic Control Assembly . . . . .               | 21 |
| 2-Spool Valve Assembly No. 115-4062 . . . . .      | 22 |
| Oil Cooler Assembly . . . . .                      | 23 |
| Hydraulic Routing Assembly . . . . .               | 24 |
| Electrical Assembly . . . . .                      | 25 |
| Cylinder and Crankcase Assembly . . . . .          | 26 |
| Piston and Crankshaft Assembly . . . . .           | 27 |
| Valve and Camshaft Assembly . . . . .              | 28 |
| Lubrication Equipment Assembly . . . . .           | 29 |
| Cooling Equipment Assembly . . . . .               | 30 |
| Electric Equipment Assembly . . . . .              | 31 |
| Control Equipment Assembly . . . . .               | 32 |
| Carburetor Assembly . . . . .                      | 33 |
| Air Filter and Muffler Assembly . . . . .          | 34 |
| Fuel Pump and Filter Assembly . . . . .            | 35 |
| Starter Assembly . . . . .                         | 36 |
| Label Set . . . . .                                | 37 |
| Attachments and Accessories . . . . .              | 38 |



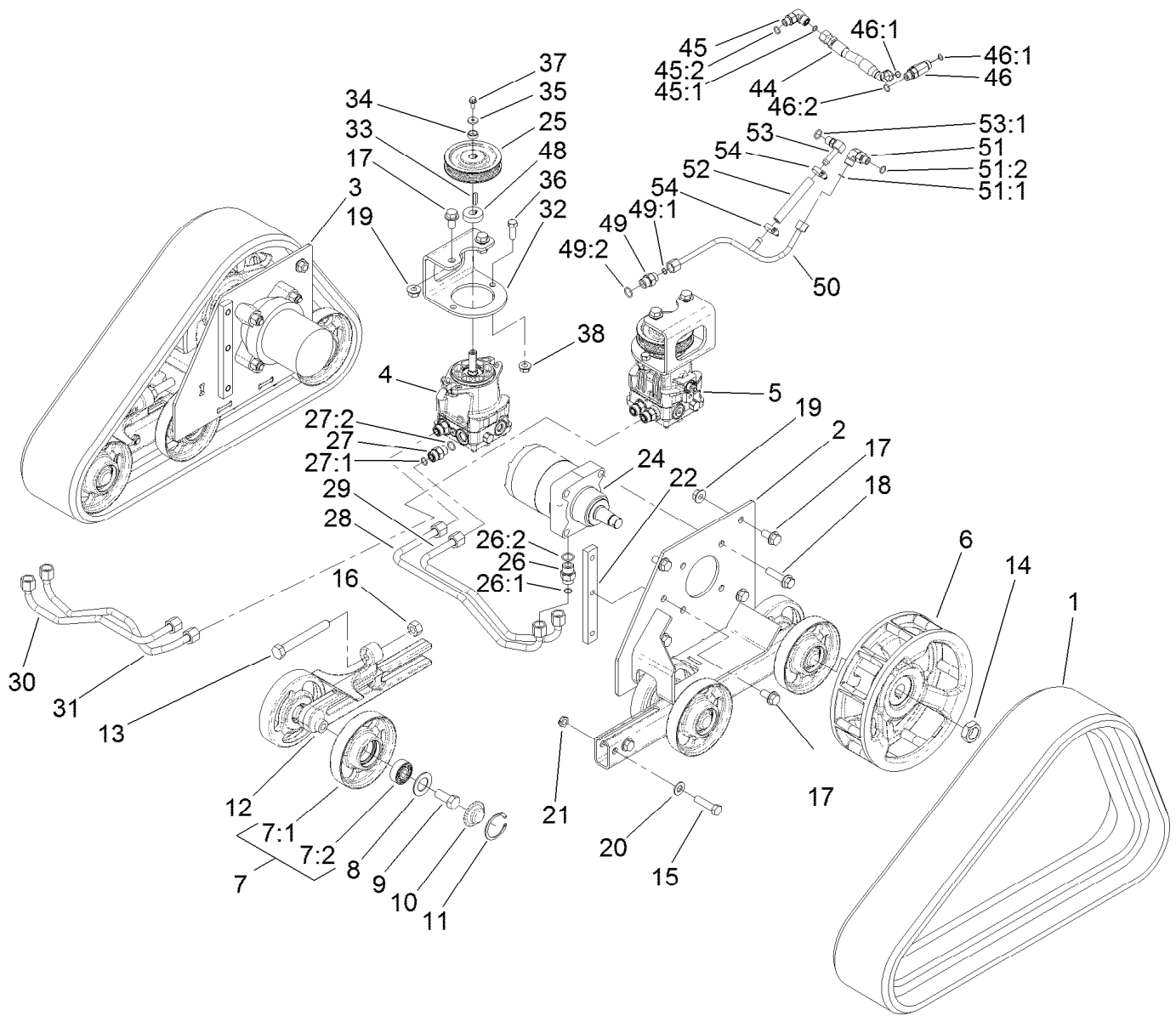
## Main Frame Assembly

| Ref. | Part Number | Qty. | Description         | Ref. | Part Number | Qty. | Description        |
|------|-------------|------|---------------------|------|-------------|------|--------------------|
| 1    | 114-8630    | 1    | Main Frame ASM      | 11   | 323-12      | 1    | Screw-HH           |
| 1:2  | 100-4650    | 1    | Decal-Warning       | 12   | 32128-40    | 2    | Nut-Flange         |
| 1:3  | 93-9084     | 2    | Decal-Point, Lift   | 13   | 120-7352    | 1    | Pin-Pivot          |
| 1:4  | 93-7814     | 2    | Decal-Danger        | 14   | 321-18      | 1    | Screw-HH           |
| 1:5  | 93-6686     | 1    | Decal-Oil, HYD      | 15   | 3296-42     | 1    | Nut-Lock, NI       |
| 2    | 114-3075    | 1    | Glass-Sight         | 16   | 302-5       | 1    | Fitting-Grease     |
| 2:1  | 237-79      | 1    | O-Ring              | 17   | 114-3039    | 1    | In-Tank Filter ASM |
| 3    | 112-4576    | 5    | Nut-Clip, U         | 18   | 1-523420    | 1    | Bumper             |
| 4    | 115-6503-01 | 1    | Cover-Rear          | 19   | 32128-33    | 1    | Nut-HF             |
| 5    | 119-4566-03 | 1    | Plate-Cover, Front  | 23   | 100-4860    | 1    | Bracket-Clamp      |
| 6    | 354-120     | 1    | Fitting-HYD, 90 DEG | 24   | 93-5023     | 1    | Spacer             |
| 6:1  | 237-79      | 1    | O-Ring              | 25   | 322-10      | 1    | Screw-HH           |
| 7    | 114-3042    | 1    | Hose-Breather       | 26   | 32128-20    | 1    | Nut-HF             |
| 8    | 68-6150     | 1    | Breather            | 33   | 3334-945    | 1    | Tie-Cable          |
| 9    | 2412-36     | 2    | Clamp-Hose          | 36   | 107-3154    | 5    | Nut-Push           |
| 10   | 3234-11     | 2    | Screw-HHF           | 39   | 3234-18     | 3    | Screw-HHF          |



## Track and Drive Assembly

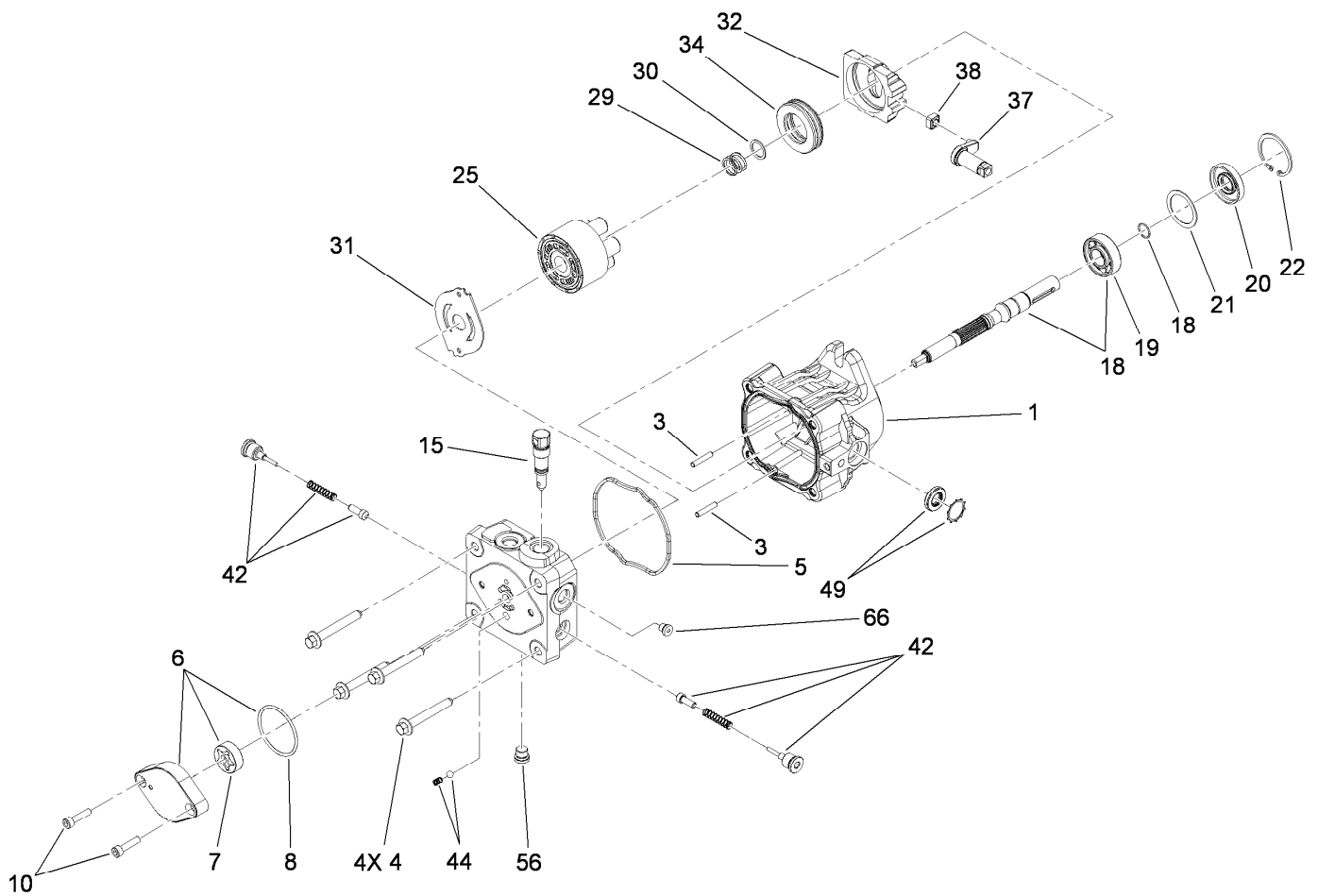
| Ref. | Part Number | Qty. | Description         | Ref. | Part Number | Qty. | Description           |
|------|-------------|------|---------------------|------|-------------|------|-----------------------|
| 1    | 112-4816    | 2    | Track-Rubber        | 20   | 3256-26     | 4    | Washer-Flat           |
| 2    | 114-2992-03 | 1    | LH Track Frame ASM  | 21   | 3296-45     | 4    | Nut-Lock, NI          |
| 3    | 114-2993-03 | 1    | RH Track Frame ASM  | 22   | 114-3091    | 2    | Bar-Thread            |
| 4    | 117-6409    | 1    | Pump-HYD, RH        | 24   | 104-8470    | 2    | HYD Wheel Motor ASM   |
| 5    | 117-6410    | 1    | Pump-HYD, LH        | 25   | 115-1298    | 2    | Sheave                |
| 6    | 117-6426-03 | 2    | Wheel-Drive         | 26   | 340-6       | 4    | Fitting-HYD, Straight |
| 7    | 112-4817    | 12   | Wheel-Tensioner     | 26:1 | 237-30      | 1    | O-Ring                |
| 7:1  | 114-3014-03 | 1    | Wheel-Track         | 26:2 | 237-80      | 1    | O-Ring                |
| 7:2  | 93-4237     | 1    | Bearing             | 27   | 340-4       | 4    | Fitting-HYD, Straight |
| 8    | 106-7585    | 12   | Gasket-Bogie        | 27:1 | 237-30      | 1    | O-Ring                |
| 9    | 327-4       | 12   | Screw-HH            | 27:2 | 237-79      | 1    | O-Ring                |
| 10   | 106-7557    | 12   | Cap-Wheel, Bearing  | 28   | 115-1285    | 1    | HYD Tube ASM          |
| 11   | 106-7595    | 12   | Ring-Snap, Internal | 29   | 115-1286    | 1    | HYD Tube ASM          |
| 12   | 114-3077-03 | 2    | Tensioner-Track     | 30   | 115-1287    | 1    | HYD Tube ASM          |
| 13   | 112-4874    | 2    | Screw-HH, TAP       | 31   | 115-1288    | 1    | HYD Tube ASM          |
| 14   | 106-8159    | 2    | Nut-Lock            | 32   | 115-1289-03 | 2    | Bracket-Mount, Pump   |
| 15   | 325-8       | 4    | Screw-HH            | 33   | 80-6090     | 2    | Key-Pump              |
| 16   | 3217-11     | 2    | Nut-Hex             | 34   | 108-4211    | 2    | Bushing               |
| 17   | 3234-6      | 10   | Screw-HHF           | 35   | 73-3580     | 2    | Washer                |
| 18   | 3234-27     | 8    | Screw-HHF           | 36   | 324-5       | 4    | Screw-HH              |
| 19   | 32128-49    | 8    | Nut-HHF             | 37   | 33103-016   | 2    | Screw-HHF             |



## Track and Drive Assembly (continued)

| Ref. | Part Number | Qty. | Description         |
|------|-------------|------|---------------------|
| 38   | 32128-42    | 4    | Nut-HF              |
| 44   | 115-1297    | 1    | HYD Hose ASM        |
| 45   | 340-77      | 1    | Fitting-HYD, 90 DEG |
| 45:1 | 237-22      | 1    | O-Ring              |
| 45:2 | 237-42      | 1    | O-Ring              |
| 46   | 340-86      | 1    | Fitting-Tee         |
| 46:1 | 237-22      | 2    | O-Ring              |
| 46:2 | 237-42      | 1    | O-Ring              |
| 48   | 115-4002    | 2    | Spacer              |
| 49   | 340-3       | 1    | Adapter             |

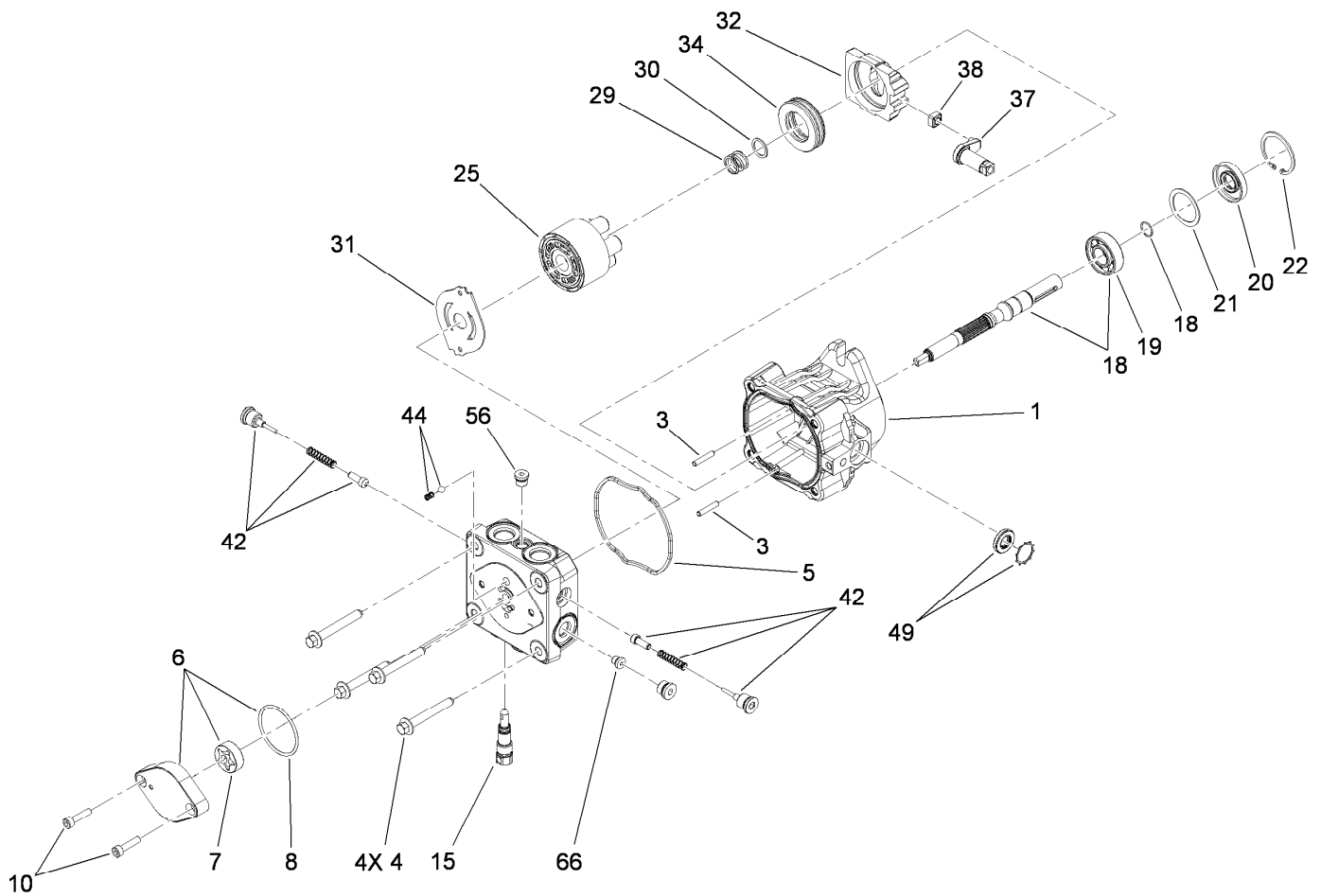
| Ref. | Part Number | Qty. | Description            |
|------|-------------|------|------------------------|
| 49:1 | 237-22      | 1    | O-Ring                 |
| 49:2 | 237-79      | 1    | O-Ring                 |
| 50   | 117-1305    | 1    | HYD Tube ASM           |
| 51   | 340-77      | 1    | Fitting-HYD, 90 DEG    |
| 51:1 | 237-22      | 1    | O-Ring                 |
| 51:2 | 237-42      | 1    | O-Ring                 |
| 52   | 115-4083    | 1    | Hose                   |
| 53   | 100-4887    | 1    | Fitting-Barbed, 90 DEG |
| 53:1 | 237-42      | 1    | O-Ring                 |
| 54   | 2412-36     | 2    | Clamp-Hose             |



## Hydraulic Pump Assembly No. 117-6409

| Ref. | Part Number | Qty. | Description            | Ref. | Part Number | Qty. | Description                  |
|------|-------------|------|------------------------|------|-------------|------|------------------------------|
| 1    | 115-4464    | 1    | Housing Kit            | 29   | 94-1936     | 1    | Spring-Block                 |
| 3    | 106-8753    | 2    | Pin-Headless, Straight | 30   | 94-1937     | 1    | Washer-Thrust, Block         |
| 4    | 106-8754    | 4    | Bolt-HF                | 31   | 105-6185    | 1    | Plate-Valve                  |
| 5    | 106-8755    | 1    | O-Ring                 | 32   | 94-1907     | 1    | Swashplate-Variable          |
| 6    | 106-8756    | 1    | Charge Pump Kit        | 34   | 94-6922     | 1    | Bearing-Thrust               |
| 7    | 104-2122    | 1    | Gerotor ASM            | 37   | 115-4458    | 1    | Arm-Trunnion, Tapered Square |
| 8    | 106-8757    | 1    | O-Ring                 | 38   | 94-1910     | 1    | Guide-Slot                   |
| 10   | 104-2111    | 2    | Capscrew               | 42   | 98-3252     | 2    | Valve-Check (W/Poppet)       |
| 15   | 106-8759    | 1    | Bypass Valve Kit       | 44   | 106-8760    | 1    | Charge Relief Valve Kit      |
| 18   | 103-2664    | 1    | Input Shaft Kit        | 49   | 114-8155    | 1    | Trunnion Seal Kit            |
| 19   | 104-5311    | 1    | Bearing-Ball           | 56   | 106-8762    | 1    | Plug-HSH                     |
| 20   | 104-5310    | 1    | Seal-Lip               | 66   | 106-8763    | 1    | Plug-HSH                     |
| 21   | 104-5308    | 1    | Spacer                 | 99   | 105-6184    | 1    | Seal Overhaul Kit ●          |
| 22   | 104-5309    | 1    | Ring-Retaining         |      |             |      |                              |
| 25   | 103-2666    | 1    | Cylinder Block Kit     |      |             |      |                              |

● Not illustrated

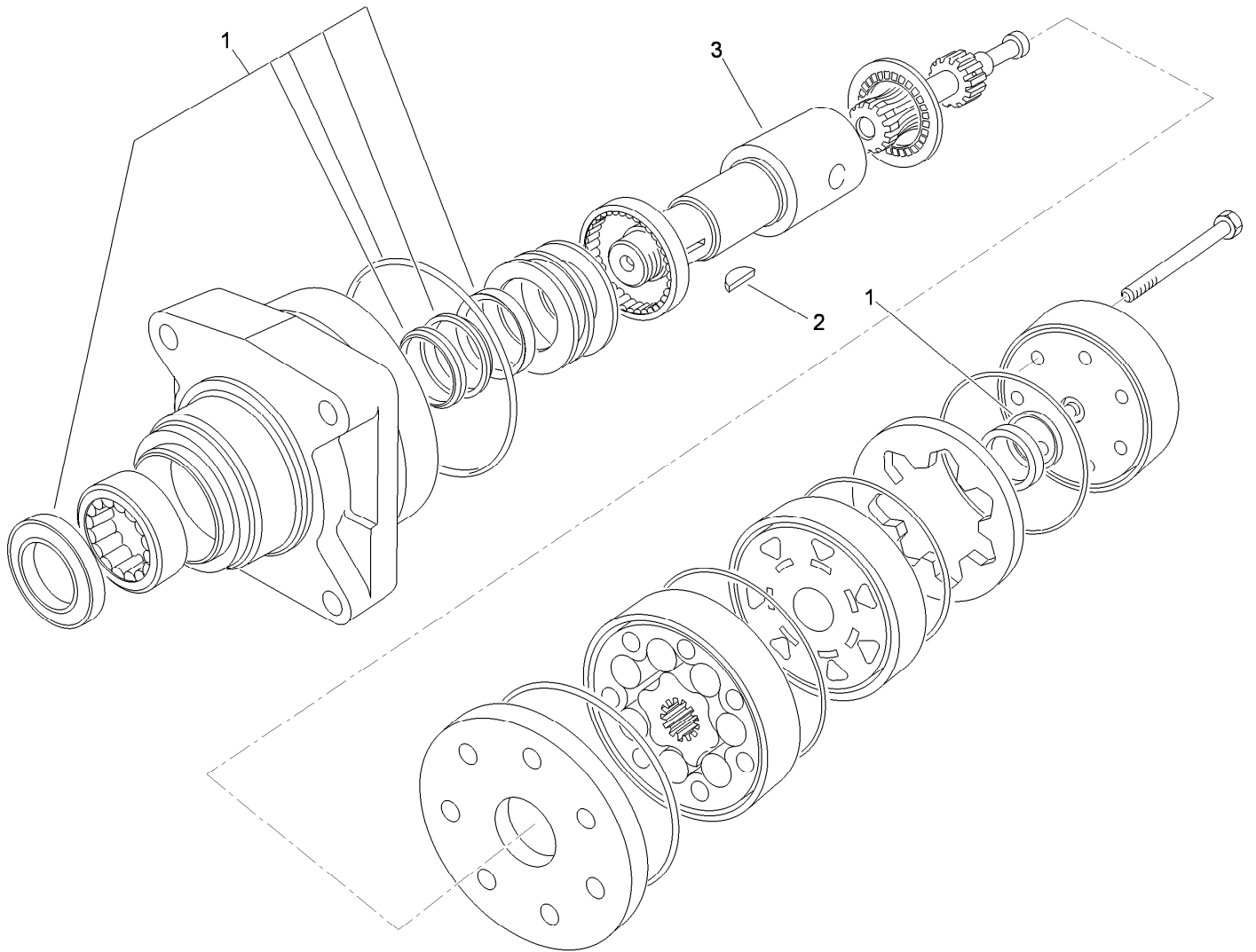


## Hydraulic Pump Assembly No. 117-6410

| Ref. | Part Number | Qty. | Description            | Ref. | Part Number | Qty. | Description                  |
|------|-------------|------|------------------------|------|-------------|------|------------------------------|
| 1    | 115-4464    | 1    | Housing Kit            | 29   | 94-1936     | 1    | Spring-Block                 |
| 3    | 106-8753    | 2    | Pin-Headless, Straight | 30   | 94-1937     | 1    | Washer-Thrust, Block         |
| 4    | 106-8754    | 4    | Bolt-HF                | 31   | 105-6185    | 1    | Plate-Valve                  |
| 5    | 106-8755    | 1    | O-Ring                 | 32   | 94-1907     | 1    | Swashplate-Variable          |
| 6    | 106-8756    | 1    | Charge Pump Kit        | 34   | 94-6922     | 1    | Bearing-Thrust               |
| 7    | 104-2122    | 1    | Gerotor ASM            | 37   | 115-4458    | 1    | Arm-Trunnion, Tapered Square |
| 8    | 106-8757    | 1    | O-Ring                 | 38   | 94-1910     | 1    | Guide-Slot                   |
| 10   | 104-2111    | 2    | Capscrew               | 42   | 98-3252     | 2    | Valve-Check (W/Poppet)       |
| 15   | 106-8759    | 1    | Bypass Valve Kit       | 44   | 106-8760    | 1    | Charge Relief Valve Kit      |
| 18   | 103-2664    | 1    | Input Shaft Kit        | 49   | 114-8155    | 1    | Trunnion Seal Kit            |
| 19   | 104-5311    | 1    | Bearing-Ball           | 56   | 106-8762    | 1    | Plug-HSH                     |
| 20   | 104-5310    | 1    | Seal-Lip               | 66   | 106-8763    | 1    | Plug-HSH                     |
| 21   | 104-5308    | 1    | Spacer                 | 99   | 105-6184    | 1    | Seal Overhaul Kit ●          |
| 22   | 104-5309    | 1    | Ring-Retaining         |      |             |      |                              |
| 25   | 103-2666    | 1    | Cylinder Block Kit     |      |             |      |                              |

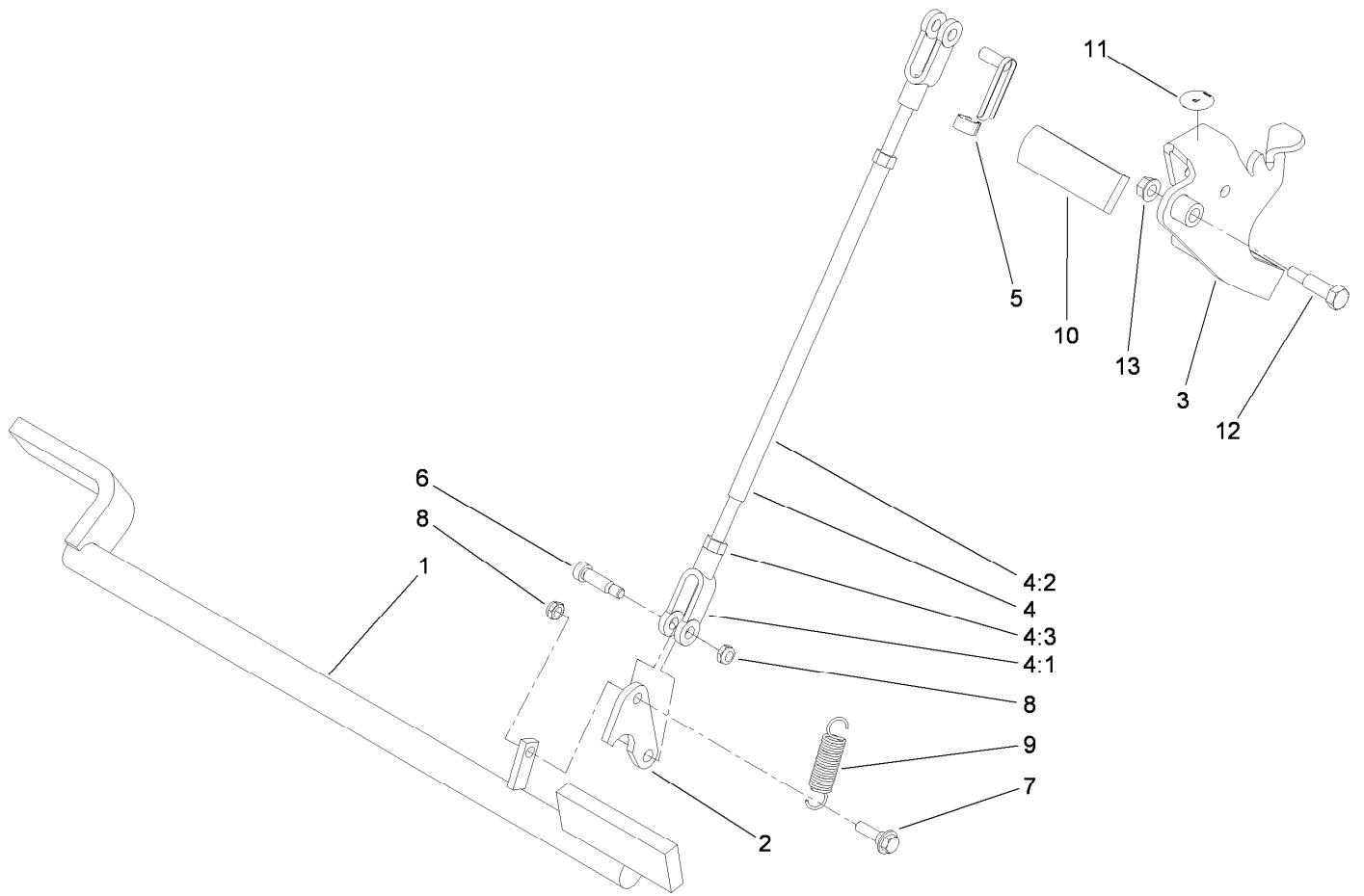
● Not illustrated





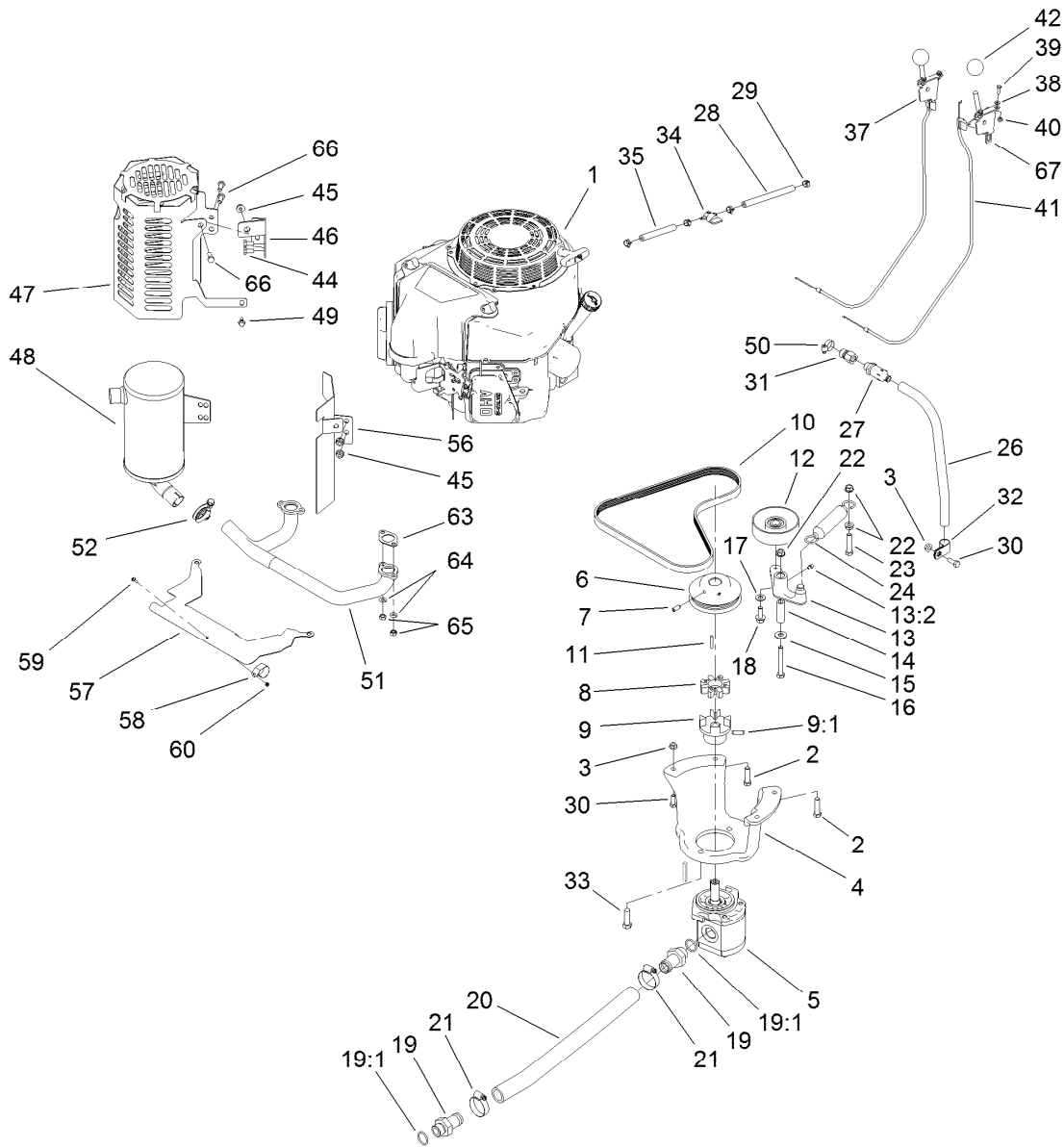
## Hydraulic Motor Assembly No. 104-8470

| <i>Ref.</i> | <i>Part Number</i> | <i>Qty.</i> | <i>Description</i> |
|-------------|--------------------|-------------|--------------------|
| 1           | 115-4061           | 1           | Seal Kit           |
| 2           | 3257-42            | 1           | Key-Woodruff       |
| 3           | 99-3090            | 1           | Shaft-Coupling     |



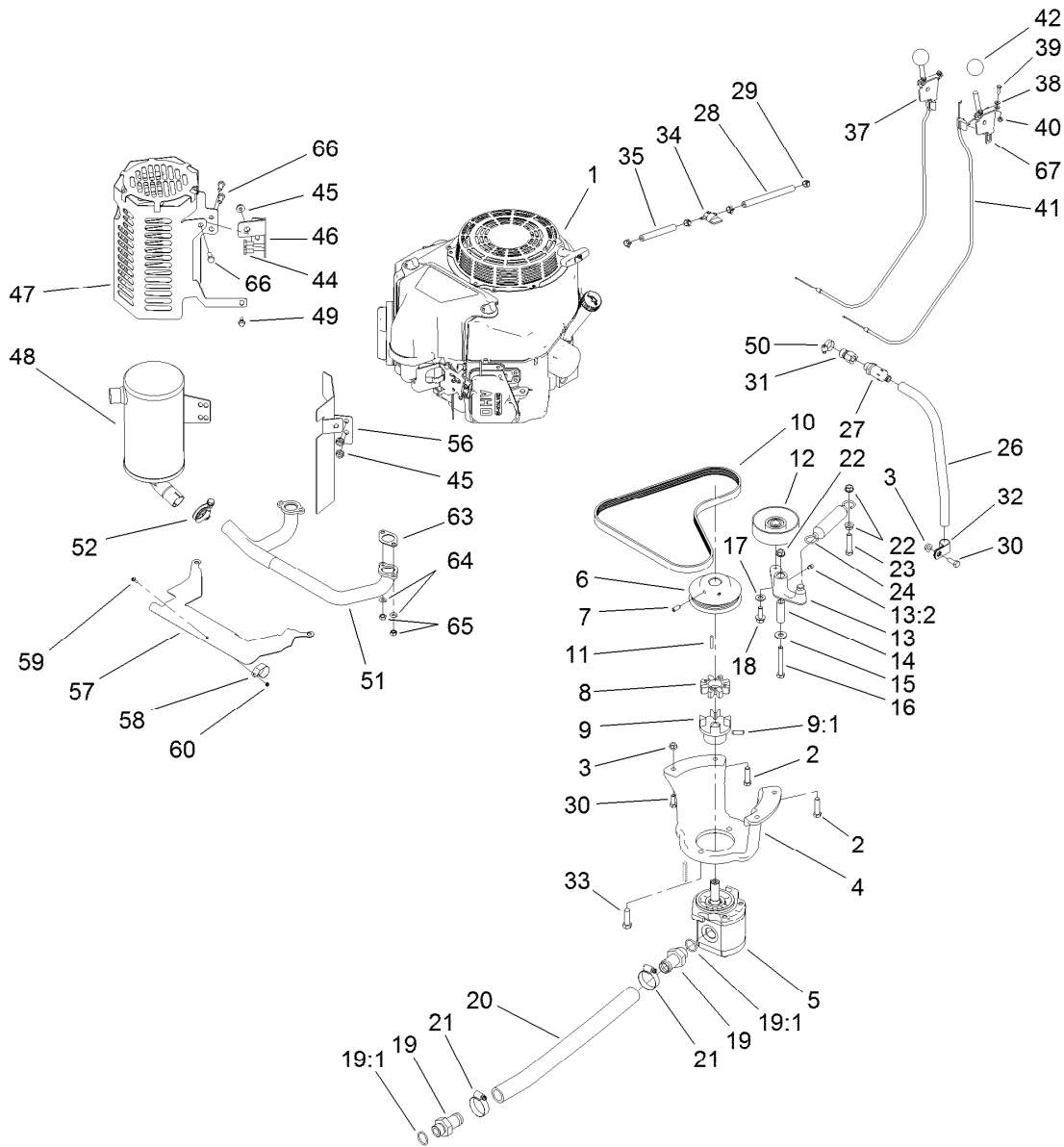
## Parking Brake Assembly

| <i>Ref.</i> | <i>Part Number</i> | <i>Qty.</i> | <i>Description</i>    | <i>Ref.</i> | <i>Part Number</i> | <i>Qty.</i> | <i>Description</i>  |
|-------------|--------------------|-------------|-----------------------|-------------|--------------------|-------------|---------------------|
| 1           | 114-2972-03        | 1           | Brake Bar ASM         | 6           | 114-8629           | 1           | Bolt-Shoulder       |
| 2           | 114-2975           | 1           | Link-Mounting         | 7           | 27-7211            | 1           | Screw-Shoulder      |
| 3           | 117-6421-03        | 1           | Brake Handle ASM      | 8           | 3296-47            | 2           | Nut-Lock, NI        |
| 4           | 103-4335           | 1           | Brake Rod ASM         | 9           | 67-1450            | 1           | Spring-Idler        |
| 4:1         | 1-633131           | 2           | Yoke-Linkage, Brake   | 10          | 62-9130            | 1           | Grip-Handle         |
| 4:2         | 103-3907           | 1           | Linkage-Handle, Brake | 11          | 107-8495           | 1           | Decal-Parking Brake |
| 4:3         | 3219-3             | 2           | Nut-Hex               | 12          | 7-0030             | 1           | Screw-Shoulder, HH  |
| 5           | 103-2399           | 1           | Pin-Spring, Clevis    | 13          | 32128-20           | 1           | Nut-HF              |



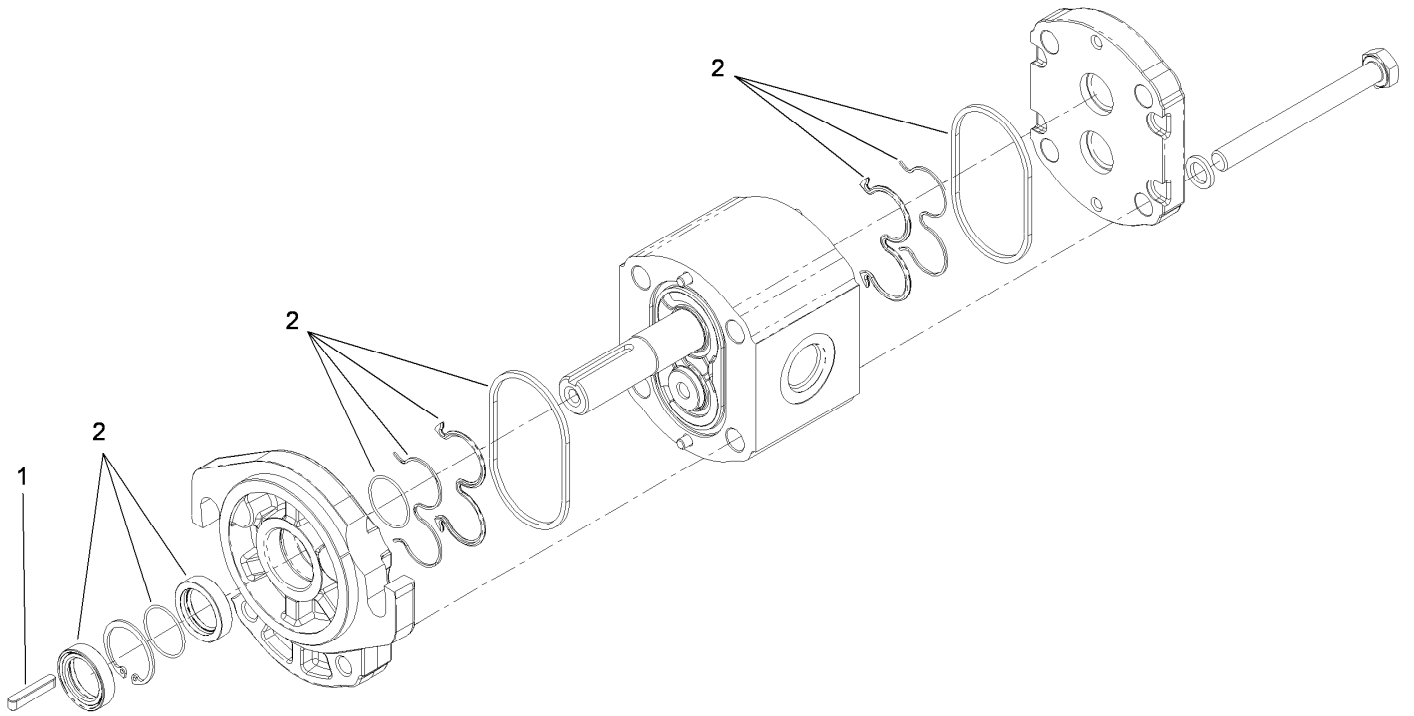
## Engine Assembly

| Ref. | Part Number | Qty. | Description             | Ref. | Part Number | Qty. | Description       |
|------|-------------|------|-------------------------|------|-------------|------|-------------------|
| 1    | 117-6449    | 1    | Engine-Kawasaki, Fs600V | 19:1 | 237-81      | 1    | O-Ring            |
| 2    | 323-8       | 4    | Screw-HH                | 20   | 114-2917    | 1    | Hose-Suction      |
| 3    | 32128-20    | 3    | Nut-HF                  | 21   | 2412-111    | 2    | Clamp             |
| 4    | 115-1480-03 | 1    | Mount-Pump              | 22   | 3290-357    | 3    | Nut-HHF, Whiz     |
| 5    | 114-3072    | 1    | Gear Pump ASM           | 23   | 323-9       | 1    | Screw-HH          |
| 6    | 114-8559-03 | 1    | Pulley-Engine           | 24   | 66-4270     | 1    | Spring-Extension  |
| 7    | 3246-6      | 2    | Screw-Set, HSH          | 26   | 106-5709    | 1    | Hose-Vent         |
| 8    | 93-8827     | 1    | Spider-Coupler          | 27   | 92-6877     | 1    | Valve-Drain, Oil  |
| 9    | 114-2933    | 1    | Coupler-Flex            | 28   | 109-0306    | 1    | Hose-Fuel         |
| 9:1  | 100-7594    | 1    | Screw-Set               | 29   | 2412-98     | 4    | Clamp-Hose        |
| 10   | 114-2991    | 1    | Belt-V                  | 30   | 322-4       | 3    | Screw-HH          |
| 11   | 608006      | 1    | Key-Square              | 31   | 103-1966    | 1    | Adapter           |
| 12   | 95-8802     | 1    | Pulley-Idler            | 32   | 2412-81     | 1    | Clamp-R           |
| 13   | 117-6323    | 1    | Idler Arm ASM           | 33   | 324-6       | 2    | Screw-HH          |
| 13:2 | 302-5       | 1    | Fitting-Grease          | 34   | 1-603770    | 1    | Valve-Fuel        |
| 14   | 114-2916    | 1    | Bushing-Idler           | 35   | 109-0295    | 1    | Hose-Fuel         |
| 15   | 3256-4      | 1    | Washer-Flat             | 37   | 108-9730    | 1    | Control Lever ASM |
| 16   | 323-13      | 1    | Screw-HH                | 38   | 3256-21     | 4    | Washer-Flat       |
| 17   | 3256-24     | 1    | Washer-Flat             | 39   | 3290-134    | 4    | Screw             |
| 18   | 3234-11     | 1    | Screw-HHF               | 40   | 3296-2      | 4    | Nut-Lock, NI      |
| 19   | 99-3017     | 2    | Fitting                 | 41   | 115-1211    | 2    | Cable-Control     |



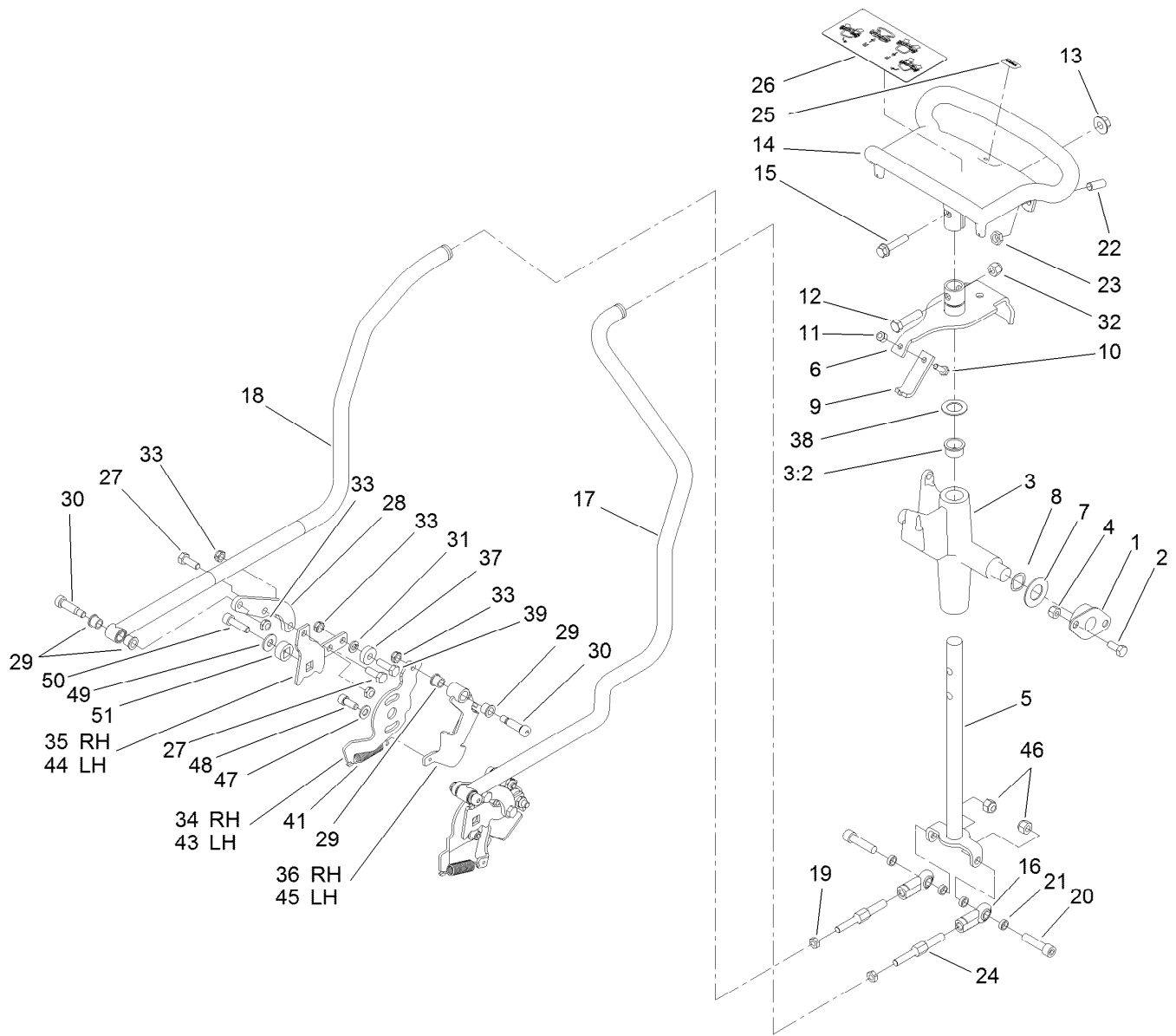
## Engine Assembly (continued)

| Ref. | Part Number | Qty. | Description            | Ref. | Part Number | Qty. | Description          |
|------|-------------|------|------------------------|------|-------------|------|----------------------|
| 42   | 233-42      | 2    | Knob                   | 56   | 117-6337    | 1    | Bracket-Shield, Heat |
| 44   | 33114-016   | 2    | Screw-HH               | 57   | 117-6285    | 1    | Plate-Shield, Heat   |
| 45   | 112-2844    | 3    | Nut-HF                 | 58   | 115-6488    | 1    | Clamp                |
| 46   | 117-6278-03 | 1    | Bracket-Guard, Muffler | 59   | 115-6494    | 1    | Screw-Pan            |
| 47   | 117-6283-03 | 1    | Muffler Shield ASM     | 60   | 115-6495    | 1    | Nut-Hex              |
| 48   | 117-6319    | 1    | Muffler                | 63   | 1-653313    | 2    | Gasket-Exhaust       |
| 49   | 33103-016   | 1    | Screw-HHF              | 64   | 115-6496    | 4    | Washer-Spring        |
| 50   | 2412-36     | 1    | Clamp-Hose             | 65   | 115-6611    | 4    | Nut-Hex              |
| 51   | 117-6401    | 1    | Manifold               | 66   | 33114-020   | 3    | Screw-HH             |
| 52   | 2112-11     | 1    | Muffler Clamp ASM      | 67   | 110-5547    | 1    | Control Lever ASM    |



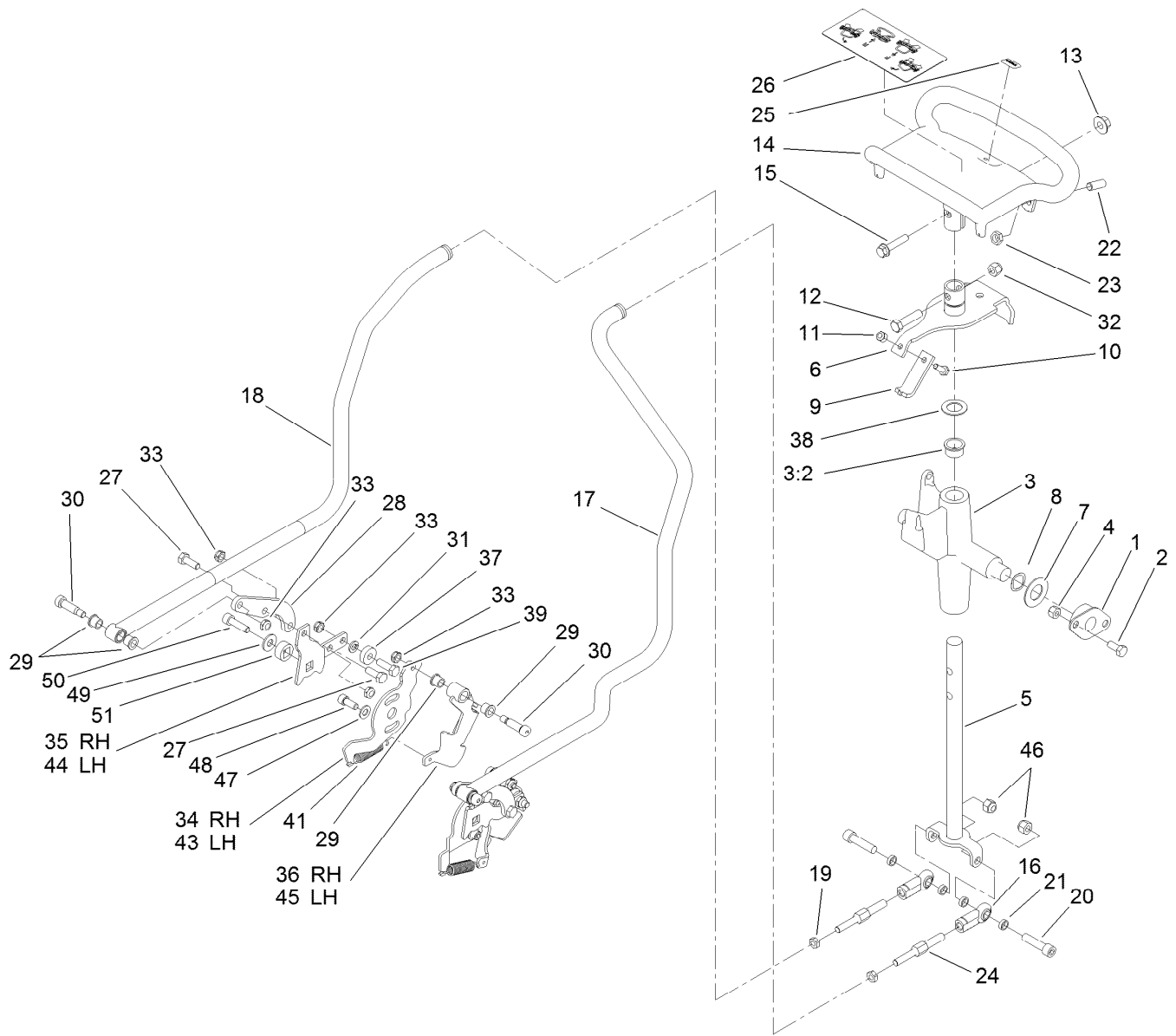
## Gear Pump Assembly No. 114-3072

| <i>Ref.</i> | <i>Part Number</i> | <i>Qty.</i> | <i>Description</i> |
|-------------|--------------------|-------------|--------------------|
| 1           | 104-5839           | 1           | Key-Square         |
| 2           | 115-1265           | 1           | Seal Kit           |



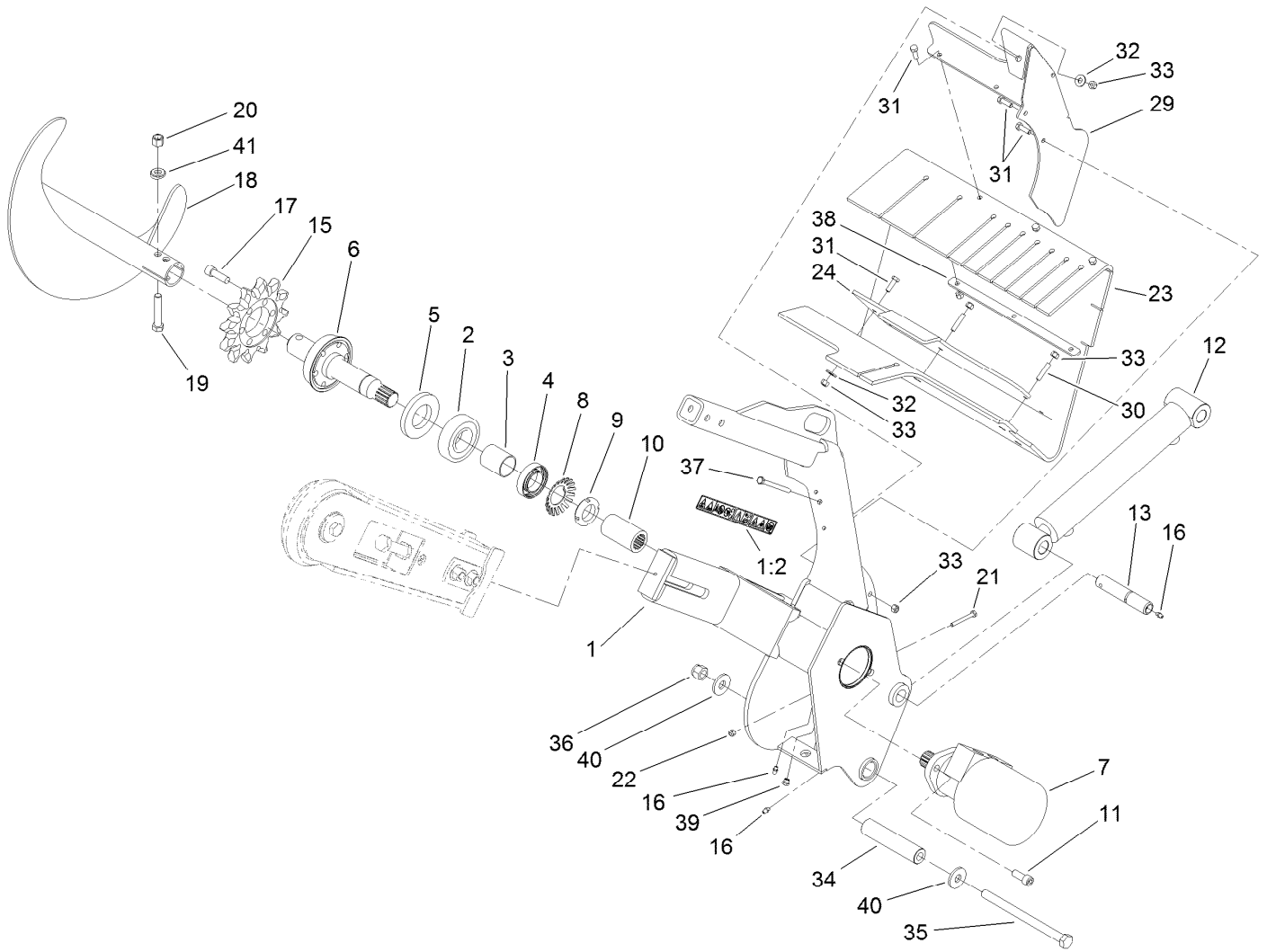
## Control Assembly

| Ref. | Part Number | Qty. | Description         | Ref. | Part Number | Qty. | Description                |
|------|-------------|------|---------------------|------|-------------|------|----------------------------|
| 1    | 68-2970     | 2    | Bushing             | 21   | 108-0634    | 4    | Spacer-Plate, Retaining    |
| 2    | 322-3       | 4    | Screw-HH            | 22   | 3247-6      | 2    | Screw-Set                  |
| 3    | 106-5737    | 1    | Control Support ASM | 23   | 3218-3      | 2    | Nut-Jam                    |
| 3:2  | 256-252     | 2    | Bearing-Flange      | 24   | 117-6334    | 2    | Link-Control, Adjustment   |
| 4    | 3296-29     | 4    | Nut-Lock, NI        | 25   | 98-1459     | 1    | Decal                      |
| 5    | 117-6335    | 1    | Drive Rod ASM       | 26   | 115-4020    | 1    | Decal-Traction             |
| 6    | 112-2783    | 1    | Pivot Lever ASM     | 27   | 322-4       | 4    | Screw-HH                   |
| 7    | 3256-39     | 2    | Washer-Flat         | 28   | 115-1290    | 2    | Plate-Adapter, Control, RH |
| 8    | 95-3703     | 2    | Washer-Spring, Wave | 29   | 256-116     | 8    | Bushing-Flange             |
| 9    | 115-1204    | 1    | Plate-Neutral       | 30   | 114-8629    | 4    | Bolt-Shoulder              |
| 10   | 321-4       | 1    | Screw-HH            | 31   | 3253-4      | 2    | Washer-Lock                |
| 11   | 3296-42     | 1    | Nut-Lock, NI        | 32   | 3296-39     | 1    | Nut-Lock, NI               |
| 12   | 323-8       | 1    | Screw-HH            | 33   | 3296-47     | 10   | Nut-Lock, NI               |
| 13   | 32128-43    | 1    | Nut-Flange          | 34   | 115-6535    | 1    | Plate-Base, RH             |
| 14   | 106-7614-03 | 1    | Handle-Control      | 35   | 115-6536    | 1    | Plate-Arm, Return          |
| 15   | 3234-18     | 1    | Screw-HHF           | 36   | 115-6636    | 1    | Pivot ASM, RH              |
| 16   | 103-1167    | 2    | Joint-Ball End, LH  | 37   | 251-259     | 2    | Bearing-Ball               |
| 17   | 114-2901    | 1    | LH Control Rod ASM  | 38   | 257-8       | 1    | Washer-Thrust              |
| 18   | 114-2902    | 1    | RH Control Rod ASM  | 39   | 322-5       | 2    | Screw-HH                   |
| 19   | 3220-2      | 2    | Nut-Jam             | 41   | 63-2870     | 2    | Spring-Extension           |
| 20   | 3274-2      | 2    | Screw-HSH           | 43   | 115-6549    | 1    | Plate-Base, LH             |



## Control Assembly (continued)

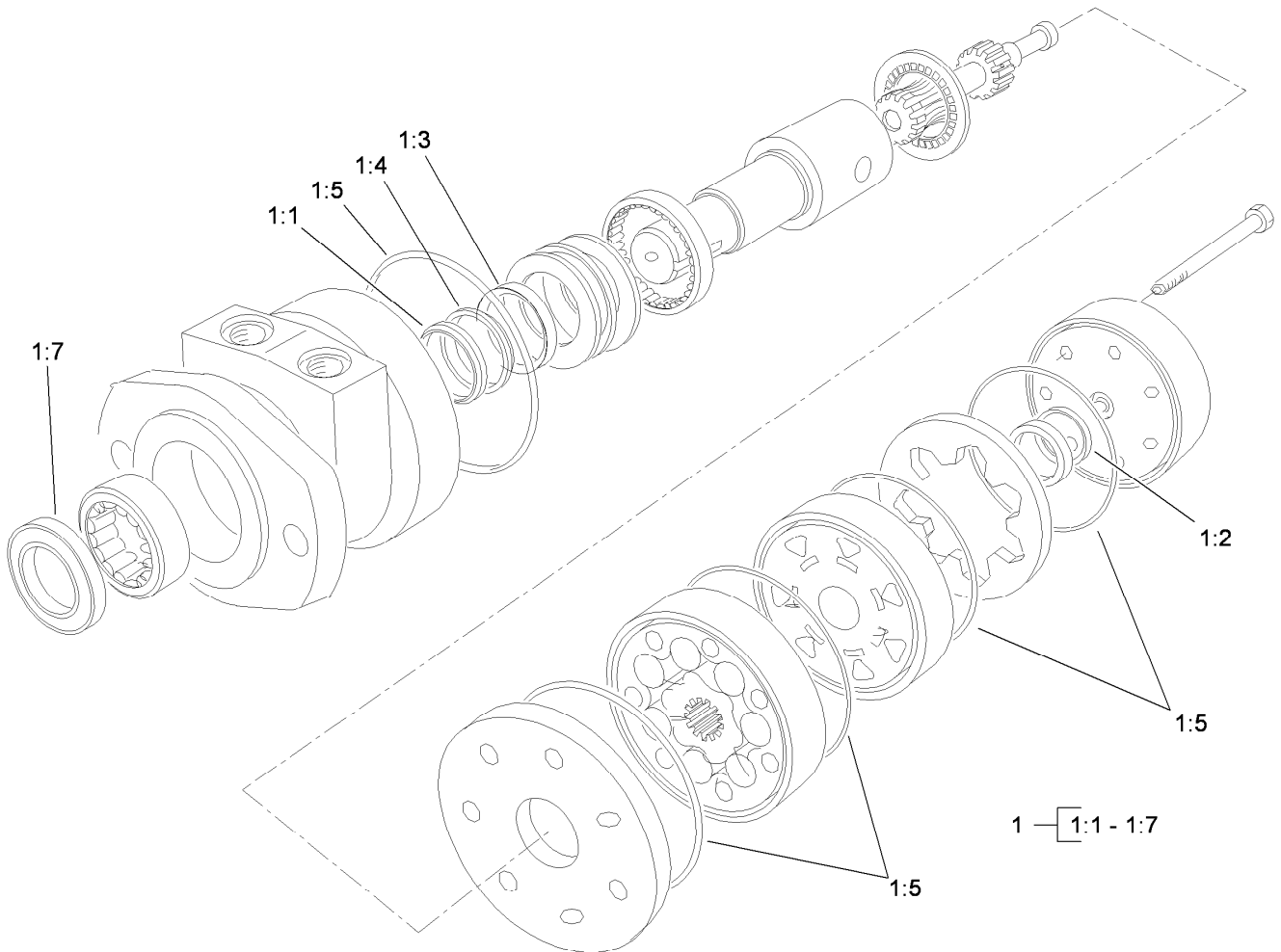
| <i>Ref.</i> | <i>Part Number</i> | <i>Qty.</i> | <i>Description</i>    | <i>Ref.</i> | <i>Part Number</i> | <i>Qty.</i> | <i>Description</i> |
|-------------|--------------------|-------------|-----------------------|-------------|--------------------|-------------|--------------------|
| 44          | 115-6628           | 1           | Plate-Arm, Return, LH | 48          | 3273-14            | 2           | Screw-HSH          |
| 45          | 115-6637           | 1           | LH Pivot ASM          | 49          | 3256-3             | 2           | Washer-Flat        |
| 46          | 3296-39            | 2           | Nut-Lock, NI          | 50          | 94-3559            | 2           | Screw-HSH          |
| 47          | 3290-456           | 2           | Washer-Belleville     | 51          | 117-6429           | 2           | Lock-Trunion       |



## Trencher Assembly

| Ref. | Part Number | Qty. | Description        | Ref. | Part Number | Qty. | Description         |
|------|-------------|------|--------------------|------|-------------|------|---------------------|
| 1    | 114-8631    | 1    | Trencher Head ASM  | 20   | 3296-23     | 1    | Nut-Lock, NI        |
| 1:2  | 99-9952     | 2    | Decal-Danger       | 21   | 321-18      | 1    | Screw-HH            |
| 2    | 106-8871    | 1    | Bearing-Ball       | 22   | 3296-42     | 1    | Nut-Lock, NI        |
| 3    | 112-4979    | 1    | Spacer             | 23   | 114-8569    | 1    | Shield-Dirt         |
| 4    | 111199      | 1    | Bearing-Ball       | 24   | 115-1220-03 | 1    | Bar-Clamp           |
| 5    | 114-2955    | 1    | Seal-Grease        | 29   | 115-1279-03 | 1    | Bracket-Shield      |
| 6    | 112-4993    | 1    | Trencher Shaft ASM | 30   | 115-4049    | 2    | Screw-HSH           |
| 7    | 114-3053    | 1    | Motor-HYD          | 31   | 322-5       | 8    | Screw-HH            |
| 8    | 114-2956    | 1    | Lockwasher-Bearing | 32   | 3256-3      | 4    | Washer-Flat         |
| 9    | 88-1450     | 1    | Locknut-Bearing    | 33   | 3296-29     | 11   | Nut-Lock, NI        |
| 10   | 114-2954    | 1    | Spline-Collar      | 34   | 114-8573    | 1    | Spacer-Pivot        |
| 11   | 3274-89     | 2    | Screw-HSH          | 35   | 117-6327    | 1    | Bolt-HH,            |
| 12   | 112-2602    | 1    | HYD Cylinder ASM   | 36   | 3296-53     | 1    | Nut-Lock, NI        |
| 13   | 120-7352    | 1    | Pin-Pivot          | 37   | 322-23      | 1    | Screw-HH            |
| 15   | 104-1964    | 1    | Sprocket-Trencher  | 38   | 115-4001-03 | 1    | Plate-Strap, Shield |
| 16   | 302-5       | 3    | Fitting-Grease     | 39   | 302-34      | 1    | Fitting-Lube        |
| 17   | 3274-4      | 6    | Screw-HSH          | 40   | 104-9216    | 2    | Washer-Hardened     |
| 18   | 117-8852-03 | 1    | Trencher Auger ASM | 41   | 117-3479    | 2    | Washer-Saddle       |
| 19   | 325-13      | 1    | Screw-HH           |      |             |      |                     |

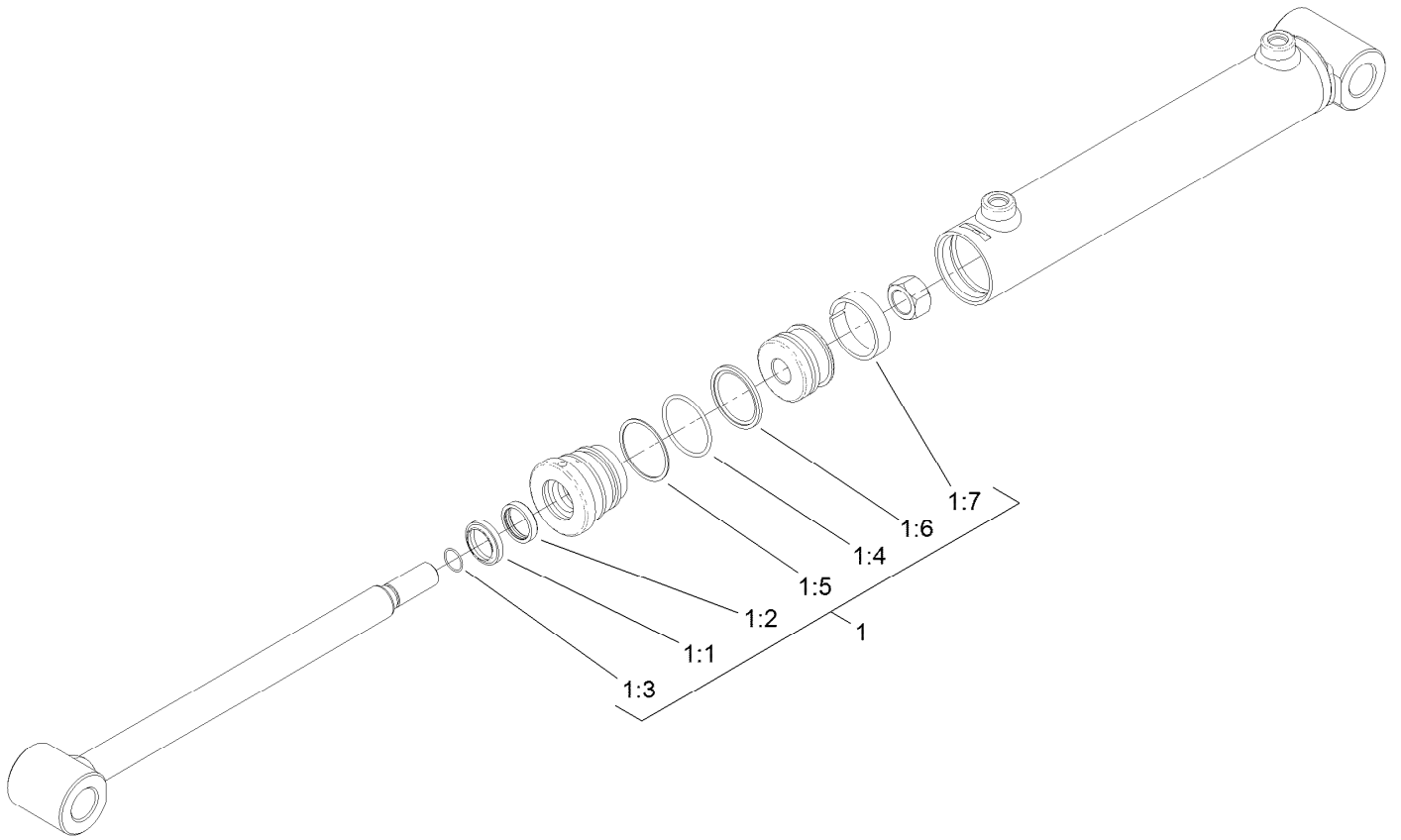




## Hydraulic Motor Assembly No. 114-3053

| <i>Ref.</i> | <i>Part Number</i> | <i>Qty.</i> | <i>Description</i>      |
|-------------|--------------------|-------------|-------------------------|
| 1           | 1-000119           | 1           | Seal Kit                |
| 1:1         |                    | 1           | Ring-Back Up ●          |
| 1:2         |                    | 1           | Seal-Commutator ●       |
| 1:3         |                    | 1           | Seal-Shaft (Viton) ●    |
| 1:4         |                    | 1           | Washer-Back Up, Steel ● |
| 1:5         |                    | 5           | Ring-Seal (Viton) ●     |
| 1:7         |                    | 1           | Seal-Dirt And Water ●   |

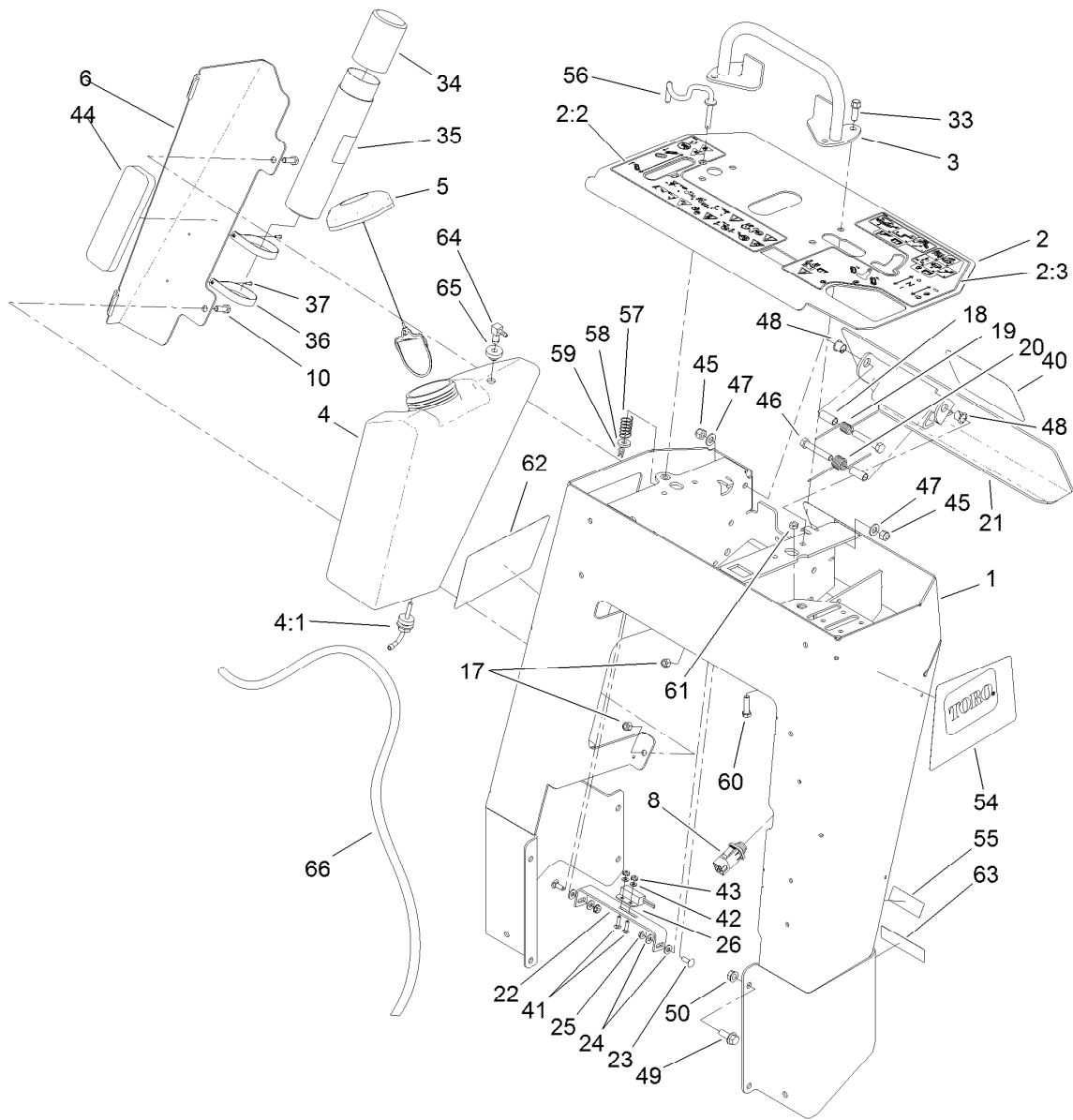
● Not serviced separately



## Hydraulic Cylinder Assembly No. 112-2602

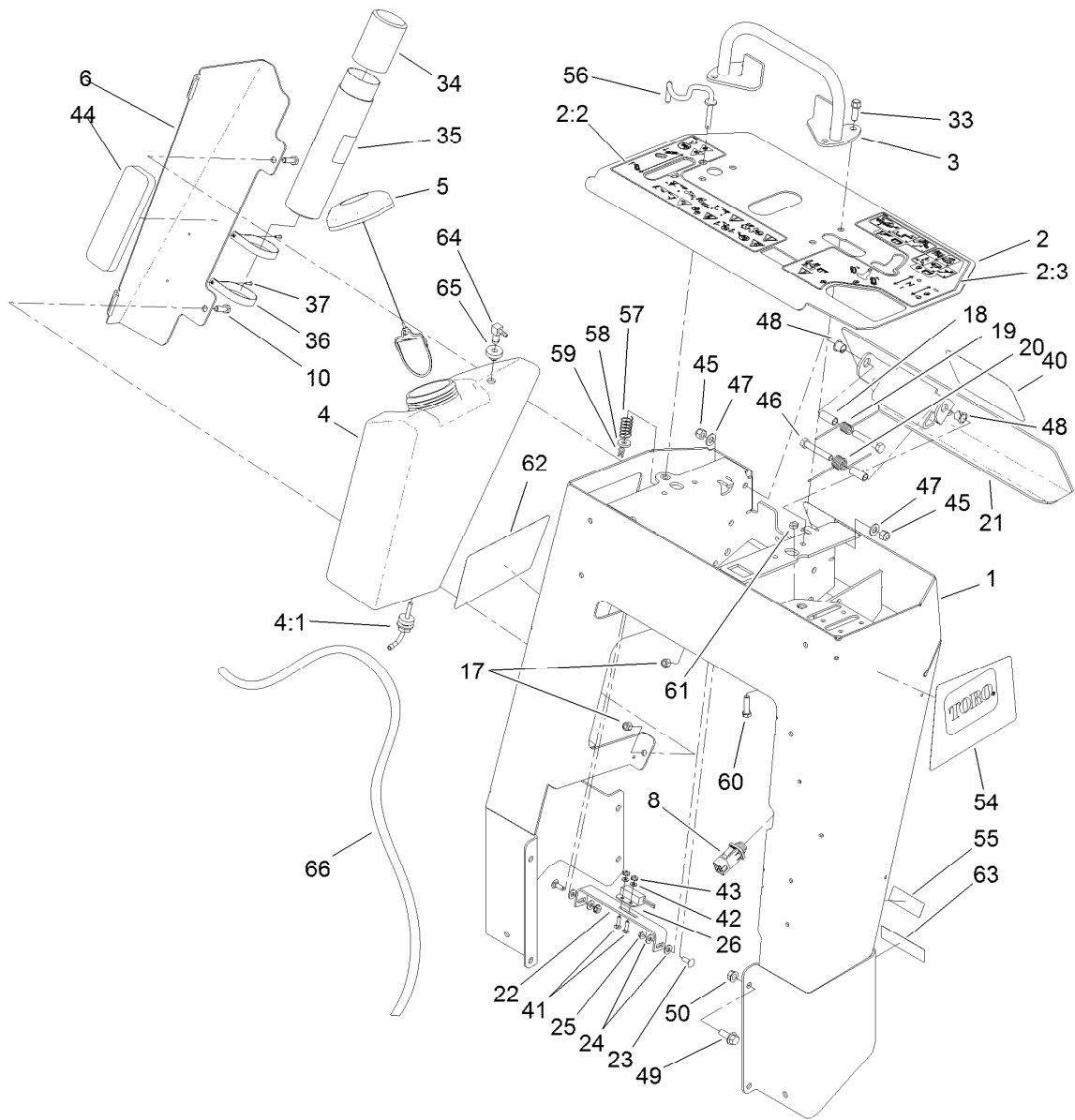
| <i>Ref.</i> | <i>Part Number</i> | <i>Qty.</i> | <i>Description</i> |
|-------------|--------------------|-------------|--------------------|
| 1           | 107-1183           | 1           | Seal Kit           |
| 1:1         |                    | 1           | Wiper ●            |
| 1:2         |                    | 1           | U-Cup ●            |
| 1:3         |                    | 1           | O-Ring ●           |
| 1:4         |                    | 1           | O-Ring ●           |
| 1:5         |                    | 1           | Back-Up Ring ●     |
| 1:6         |                    | 1           | Capseal ●          |
| 1:7         |                    | 1           | Wear Ring ●        |

● Not serviced separately



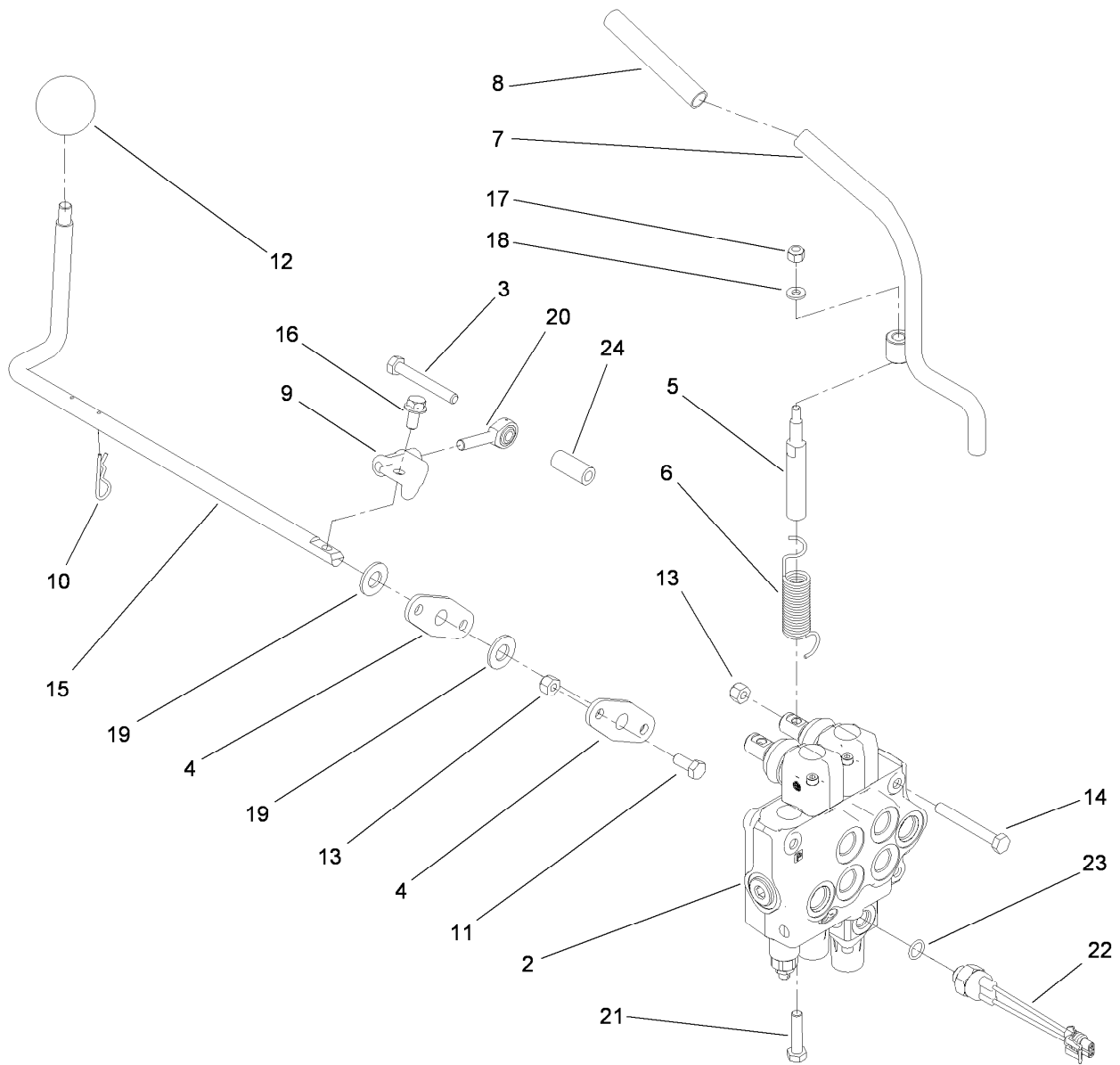
## Control Tower Assembly

| Ref. | Part Number | Qty. | Description            | Ref. | Part Number | Qty. | Description     |
|------|-------------|------|------------------------|------|-------------|------|-----------------|
| 1    | 117-6419-01 | 1    | Tower ASM              | 33   | 95-1726     | 4    | Screw-Taptite   |
| 2    | 117-6389    | 1    | Panel-Control          | 34   | 104-7048    | 1    | Cap-Housing     |
| 2:2  | 115-1231    | 1    | Decal-Console, RH      | 35   | 104-7050    | 1    | Tube-Manual     |
| 2:3  | 115-1230    | 1    | Decal-Console, LH      | 36   | 2412-120    | 2    | Clamp-R         |
| 3    | 106-7715    | 1    | Reference Bar ASM      | 37   | 3269-17     | 2    | Rivet-Pop       |
| 4    | 120-7357    | 1    | Tank-Fuel              | 40   | 105-1217    | 1    | Decal           |
| 4:1  | 103-2605    | 1    | Fitting-Fuel, Bulkhead | 41   | 3229-20     | 2    | Screw-CARR      |
| 5    | 120-5461    | 1    | Cap-Fuel, Ratcheting   | 42   | 3256-51     | 2    | Washer-Flat     |
| 6    | 114-3065-01 | 1    | Bracket-Cover, Tank    | 43   | 32149-7     | 2    | Nut-Keps        |
| 8    | 100-1268    | 1    | Switch-Plunger         | 44   | 107-7507    | 1    | Pad-Foam        |
| 10   | 322-5       | 2    | Screw-HH               | 45   | 3296-39     | 2    | Nut-Lock, NI    |
| 17   | 3296-29     | 2    | Nut-Lock, NI           | 46   | 323-11      | 2    | Screw-HH        |
| 18   | 114-1337    | 2    | Spacer-Spring          | 47   | 3256-24     | 2    | Washer-Flat     |
| 19   | 98-8425     | 1    | Spring-Torsion, LH     | 48   | 256-257     | 2    | Bushing-Nyliner |
| 20   | 98-8424     | 1    | Spring-Torsion, RH     | 49   | 3234-11     | 8    | Screw-HHF       |
| 21   | 114-3012-03 | 1    | Reverse Plate ASM      | 50   | 32128-40    | 8    | Nut-Flange      |
| 22   | 100-1263    | 1    | Plate-Switch           | 54   | 117-6282    | 1    | Decal-Side, LH  |
| 23   | 3229-1      | 2    | Screw-CARR             | 55   | 120-7532    | 1    | Decal-Info      |
| 24   | 3256-22     | 4    | Washer-Flat            | 56   | 114-8727    | 1    | Rod-Interlock   |
| 25   | 32149-2     | 2    | Nut-Keps               | 57   | 85-6750     | 1    | Spring-Control  |
| 26   | 100-1270    | 1    | Switch-Proximity       | 58   | 88-7200     | 1    | Washer-Flat     |



## Control Tower Assembly (continued)

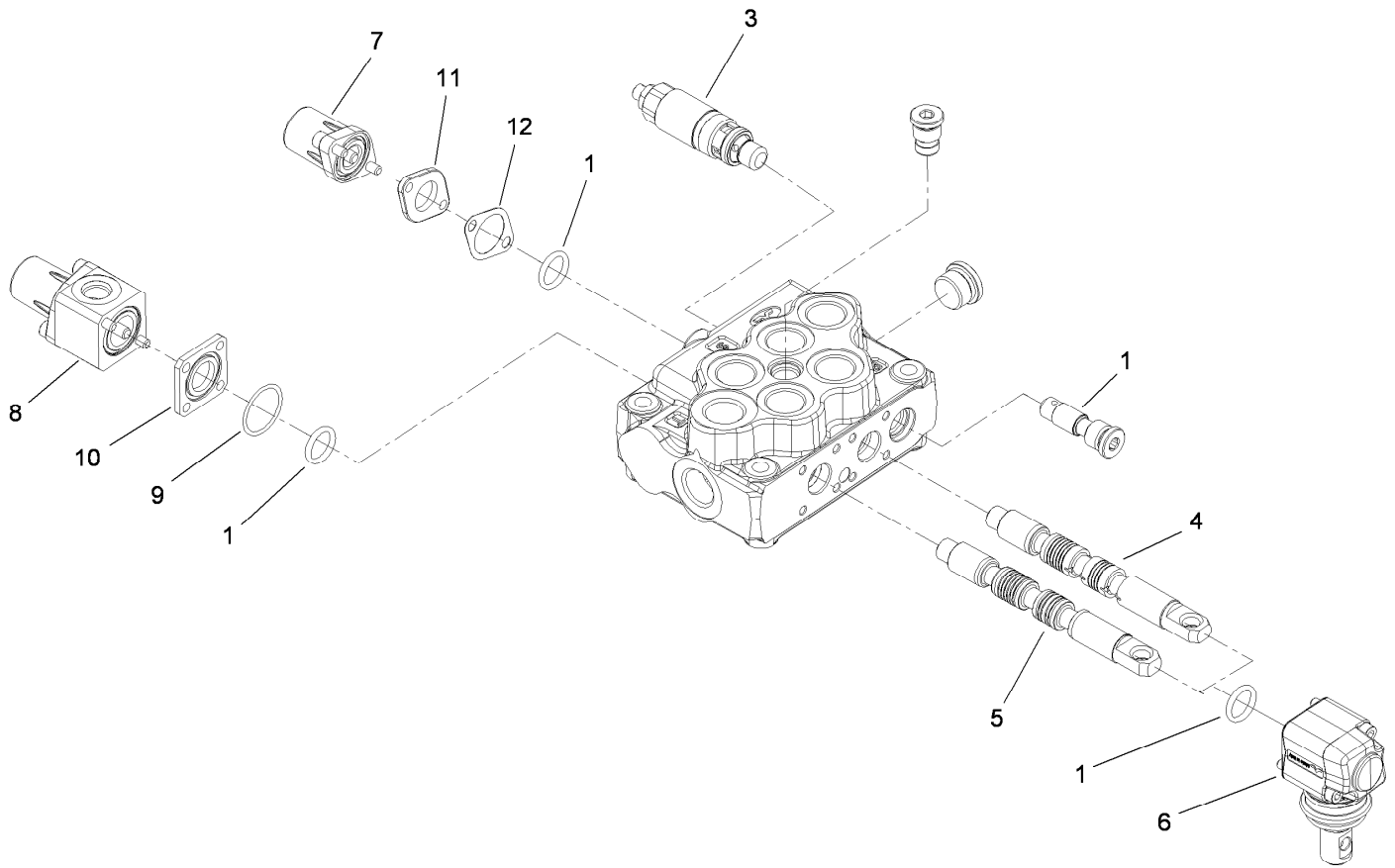
| <i>Ref.</i> | <i>Part Number</i> | <i>Qty.</i> | <i>Description</i> | <i>Ref.</i> | <i>Part Number</i> | <i>Qty.</i> | <i>Description</i>    |
|-------------|--------------------|-------------|--------------------|-------------|--------------------|-------------|-----------------------|
| 59          | 3290-307           | 1           | Pin-Hair           | 63          | 117-2718           | 1           | Decal-Arrester, Spark |
| 60          | 3210-7             | 1           | Screw-HH           | 64          | 104-5228           | 1           | Fitting-Elbow, 90 DEG |
| 61          | 3220-2             | 2           | Nut-Jam            | 65          | 46-6560            | 1           | Bushing               |
| 62          | 117-6271           | 1           | Decal-Side, RH     | 66          | 117-6396           | 1           | Hose-Vent, Tank       |



## Hydraulic Control Assembly

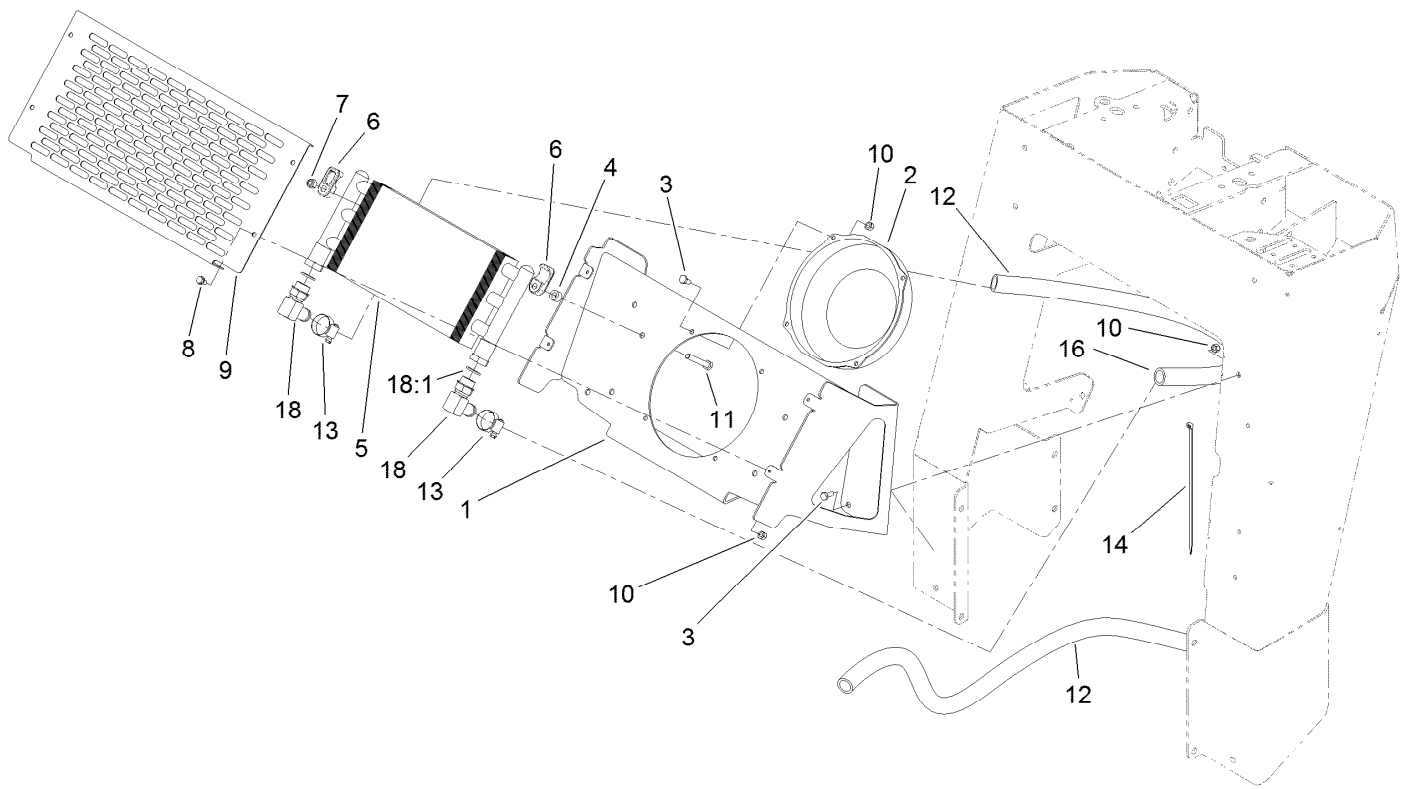
| Ref. | Part Number | Qty. | Description             |
|------|-------------|------|-------------------------|
| 2    | 115-4062    | 1    | HYD Valve ASM           |
| 3    | 33114-060   | 1    | Screw-HH                |
| 4    | 20-1620     | 2    | Bearing-Wheel, Friction |
| 5    | 104-2827    | 1    | Spacer-Hiflo            |
| 6    | 112-2738    | 1    | Spring-Torsion          |
| 7    | 112-2739    | 1    | Auxiliary Lever ASM     |
| 8    | 112-2605    | 1    | Grip-Rubber             |
| 9    | 112-7210    | 1    | Bracket-Control         |
| 10   | 3290-467    | 2    | Pin-Hair                |
| 11   | 322-3       | 4    | Screw-HH                |
| 12   | 233-21      | 1    | Knob                    |
| 13   | 3296-29     | 7    | Nut-Lock, NI            |

| Ref. | Part Number | Qty. | Description         |
|------|-------------|------|---------------------|
| 14   | 322-12      | 3    | Screw-HH            |
| 15   | 114-8598    | 1    | Rod-Lever, Cylinder |
| 16   | 3234-14     | 1    | Screw-HHF           |
| 17   | 3296-42     | 1    | Nut-Lock, NI        |
| 18   | 3256-16     | 1    | Washer-Flat         |
| 19   | 3256-26     | 2    | Washer-Flat         |
| 20   | 115-1273    | 1    | Bearing-Rod End     |
| 21   | 48-7740     | 1    | Screw               |
| 22   | 72-4310     | 1    | Switch-Ball         |
| 23   | 237-42      | 1    | O-Ring              |
| 24   | 103-0384    | 1    | Spacer              |



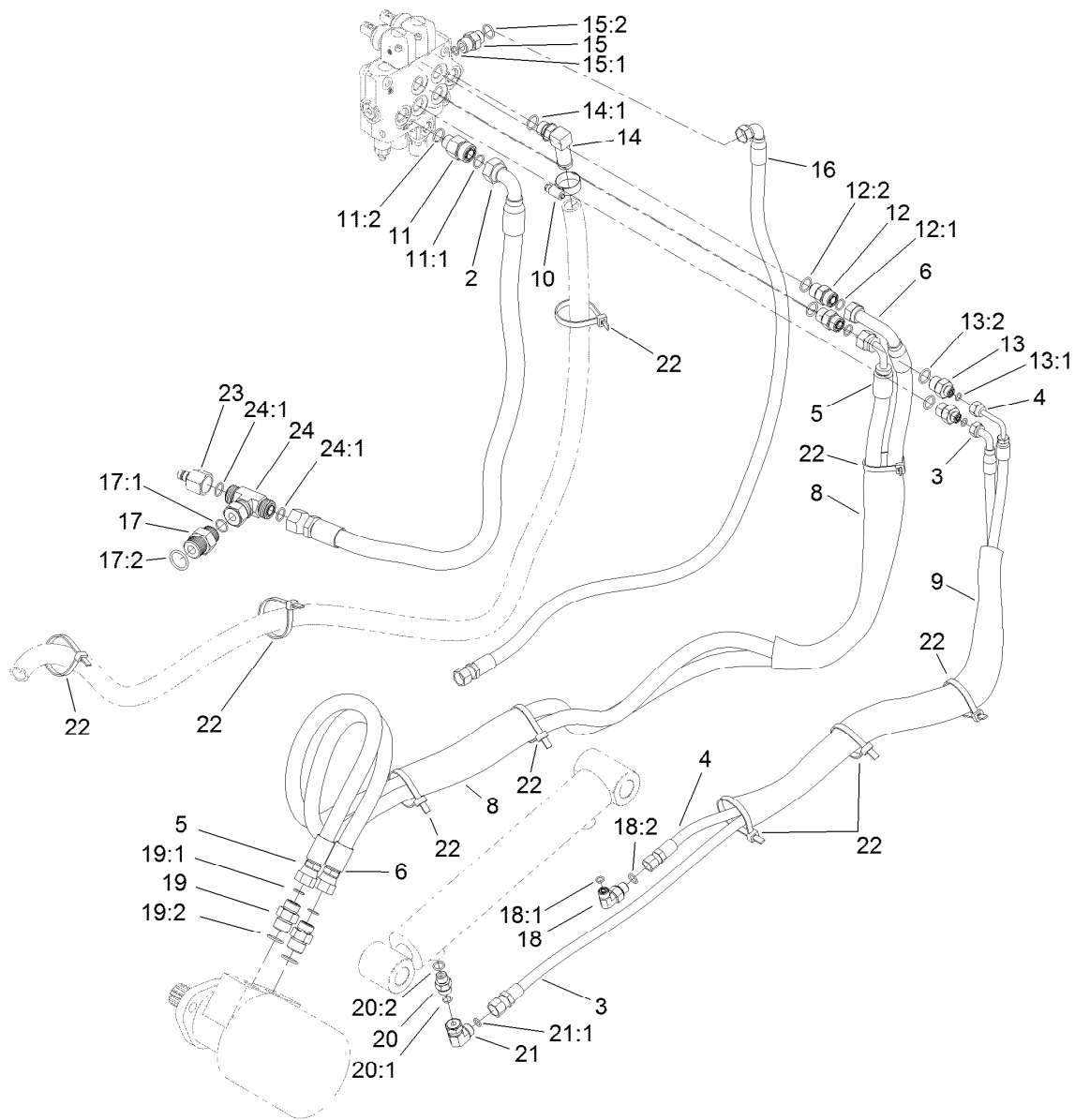
## 2-Spool Valve Assembly No. 115-4062

| <i>Ref.</i> | <i>Part Number</i> | <i>Qty.</i> | <i>Description</i>       |
|-------------|--------------------|-------------|--------------------------|
| 1           | 106-7719           | 4           | Seal-Valve               |
| 3           | 100-8805           | 1           | Valve-Relief             |
| 4           | 115-4084           | 1           | Spool-Valve              |
| 5           | 106-7572           | 1           | Spool                    |
| 6           | 100-7229           | 2           | Lever Kit                |
| 7           | 115-4092           | 1           | Spring Return Kit        |
| 8           | 115-4093           | 1           | Switch Spring Return Kit |
| 9           | 115-4097           | 1           | Seal-Return              |
| 10          | 115-4094           | 1           | Spacer-Square            |
| 11          | 115-4089           | 1           | Spacer-Spring Return     |
| 12          | 115-4088           | 1           | Gasket-Return            |



## Oil Cooler Assembly

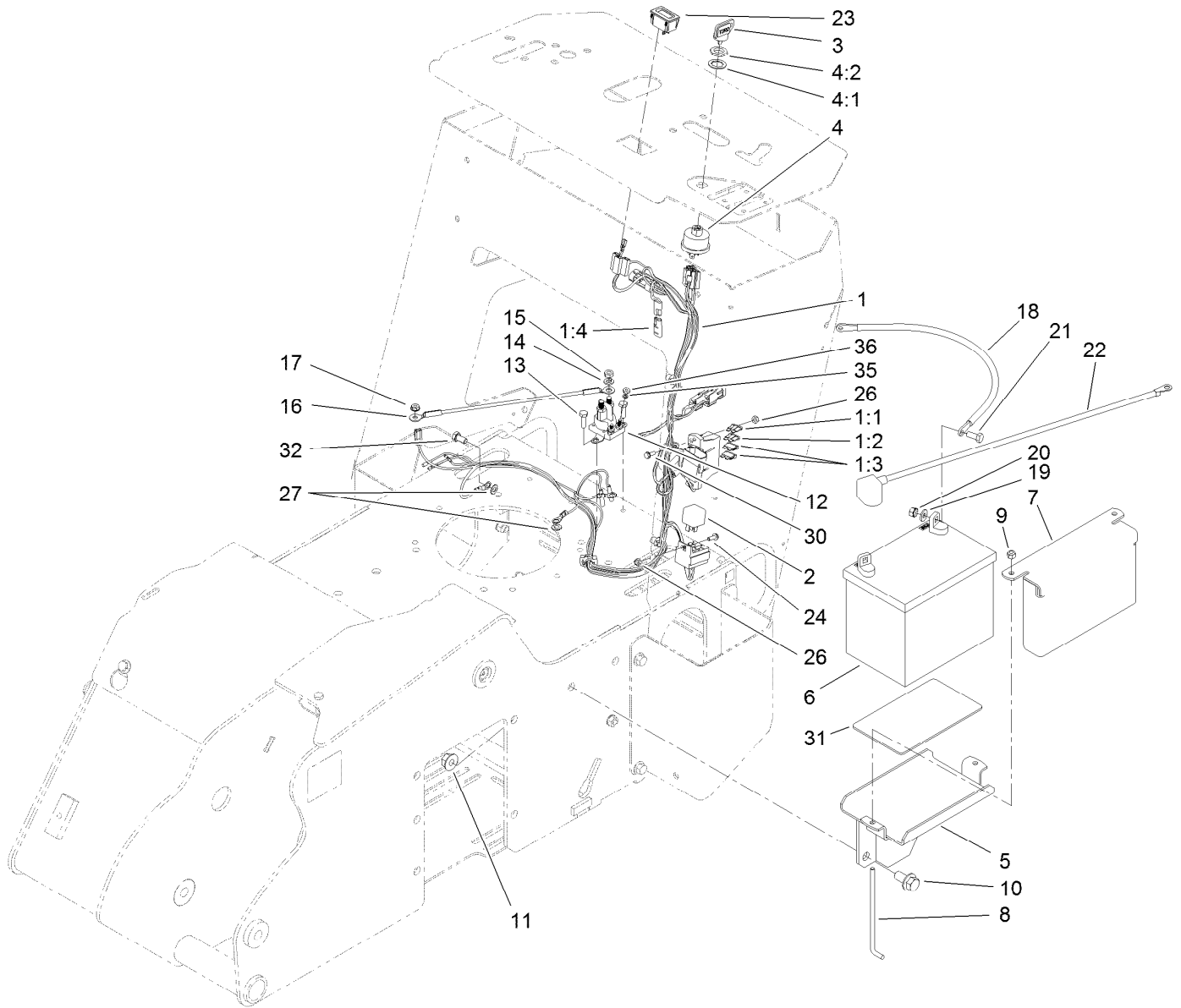
| <i>Ref.</i> | <i>Part Number</i> | <i>Qty.</i> | <i>Description</i> | <i>Ref.</i> | <i>Part Number</i> | <i>Qty.</i> | <i>Description</i> |
|-------------|--------------------|-------------|--------------------|-------------|--------------------|-------------|--------------------|
| 1           | 117-6296-01        | 1           | Cooler Mount ASM   | 10          | 3296-42            | 12          | Nut-Lock, NI       |
| 2           | 104-2809           | 1           | Fan                | 11          | 322-11             | 4           | Screw-HH           |
| 3           | 321-3              | 8           | Screw-HH           | 12          | 115-1207           | 1           | Hose-Return        |
| 4           | 98-4695            | 4           | Spacer             | 13          | 2412-129           | 2           | Clamp-Hose         |
| 5           | 105-0352           | 1           | Exchanger-Heat     | 14          | 3334-945           | 1           | Tie-Cable          |
| 6           | 105-3943           | 8           | Clamp-Cooler, Oil  | 16          | 117-3966           | 1           | Hose-Cooler        |
| 7           | 3296-29            | 4           | Nut-Lock, NI       | 18          | 87-8170            | 2           | Fitting            |
| 8           | 32144-4            | 4           | Screw-HWH          | 18:1        | 237-80             | 1           | O-Ring             |
| 9           | 119-4633-01        | 1           | Cover-Cooler       |             |                    |             |                    |



## Hydraulic Routing Assembly

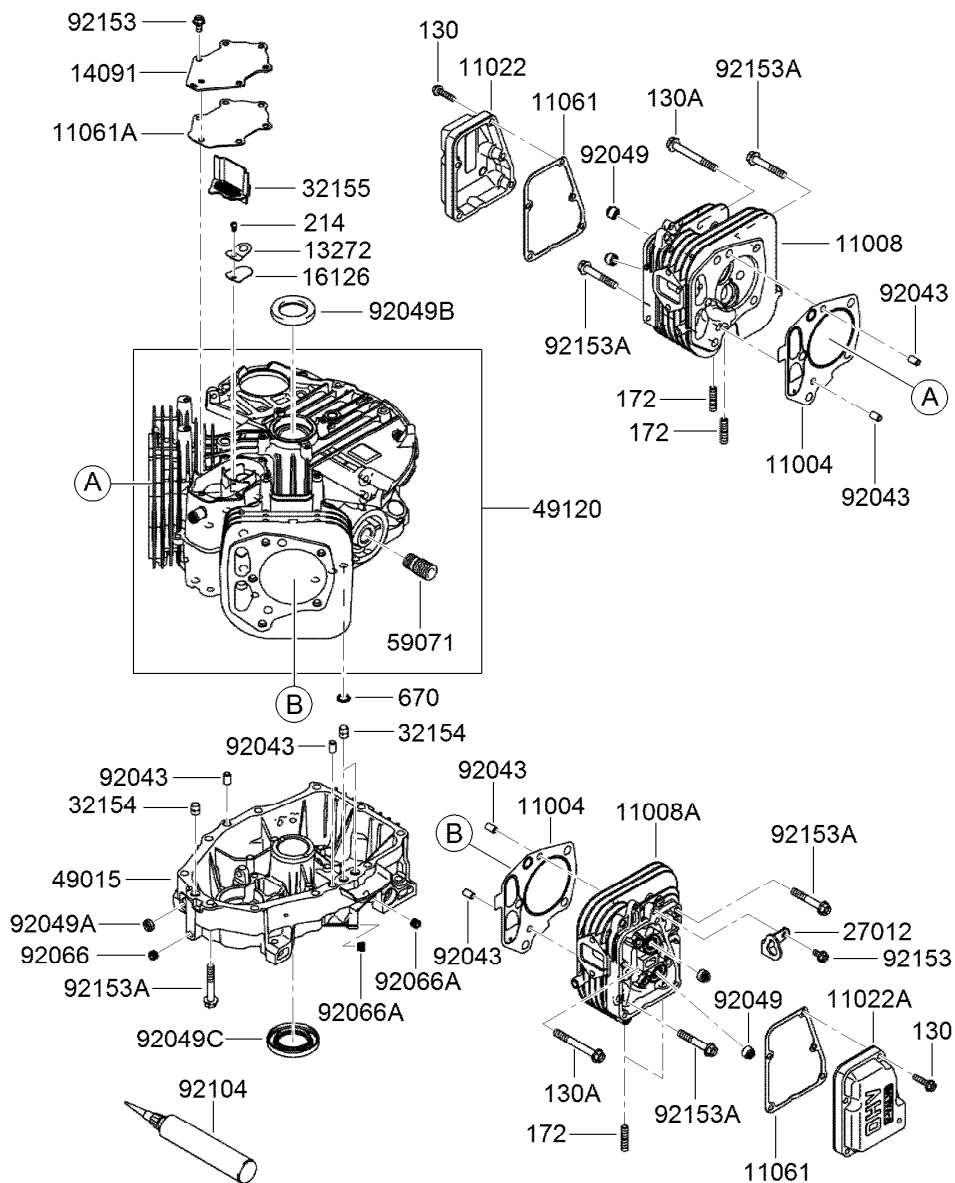
| Ref. | Part Number | Qty. | Description           | Ref. | Part Number | Qty. | Description           |
|------|-------------|------|-----------------------|------|-------------|------|-----------------------|
| 2    | 114-3043    | 1    | Hose ASM              | 15:2 | 237-79      | 1    | O-Ring                |
| 3    | 114-3044    | 1    | Hose ASM              | 16   | 117-4038    | 1    | Hose ASM              |
| 4    | 114-3045    | 1    | Hose ASM              | 17   | 340-8       | 1    | Adapter               |
| 5    | 114-3046    | 1    | Hose ASM              | 17:1 | 237-65      | 1    | O-Ring                |
| 6    | 114-3085    | 1    | HYD Hose ASM          | 17:2 | 237-81      | 1    | O-Ring                |
| 8    | 99-5648     | 2    | Sleeve-Protective     | 18   | 340-82      | 1    | Adapter               |
| 9    | 115-4064    | 1    | Sleeve-Protective     | 18:1 | 237-42      | 1    | O-Ring                |
| 10   | 2412-129    | 2    | Clamp-Hose            | 18:2 | 237-21      | 1    | O-Ring                |
| 11   | 340-155     | 1    | Fitting-HYD, Straight | 19   | 340-6       | 2    | Fitting-HYD, Straight |
| 11:1 | 237-79      | 1    | O-Ring                | 19:1 | 237-30      | 1    | O-Ring                |
| 11:2 | 237-151     | 1    | O-Ring                | 19:2 | 237-80      | 1    | O-Ring                |
| 12   | 340-4       | 2    | Fitting-HYD, Straight | 20   | 115-4081    | 1    | Valve-Check           |
| 12:1 | 237-30      | 1    | O-Ring                | 20:1 | 237-42      | 1    | O-Ring                |
| 12:2 | 237-79      | 1    | O-Ring                | 20:2 | 237-22      | 1    | O-Ring                |
| 13   | 340-133     | 2    | Adapter               | 21   | 340-159     | 1    | Fitting-HYD, 90 DEG   |
| 13:1 | 237-79      | 1    | O-Ring                | 21:1 | 237-22      | 2    | O-Ring                |
| 13:2 | 237-21      | 1    | O-Ring                | 22   | 3334-945    | 9    | Tie-Cable             |
| 14   | 353-954     | 1    | Adapter               | 23   | 86-5860     | 1    | Nipple                |
| 14:1 | 237-79      | 1    | O-Ring                | 24   | 340-167     | 1    | Fitting-HYD, Tee      |
| 15   | 340-3       | 1    | Adapter               | 24:1 | 237-65      | 2    | O-Ring                |
| 15:1 | 237-22      | 1    | O-Ring                |      |             |      |                       |





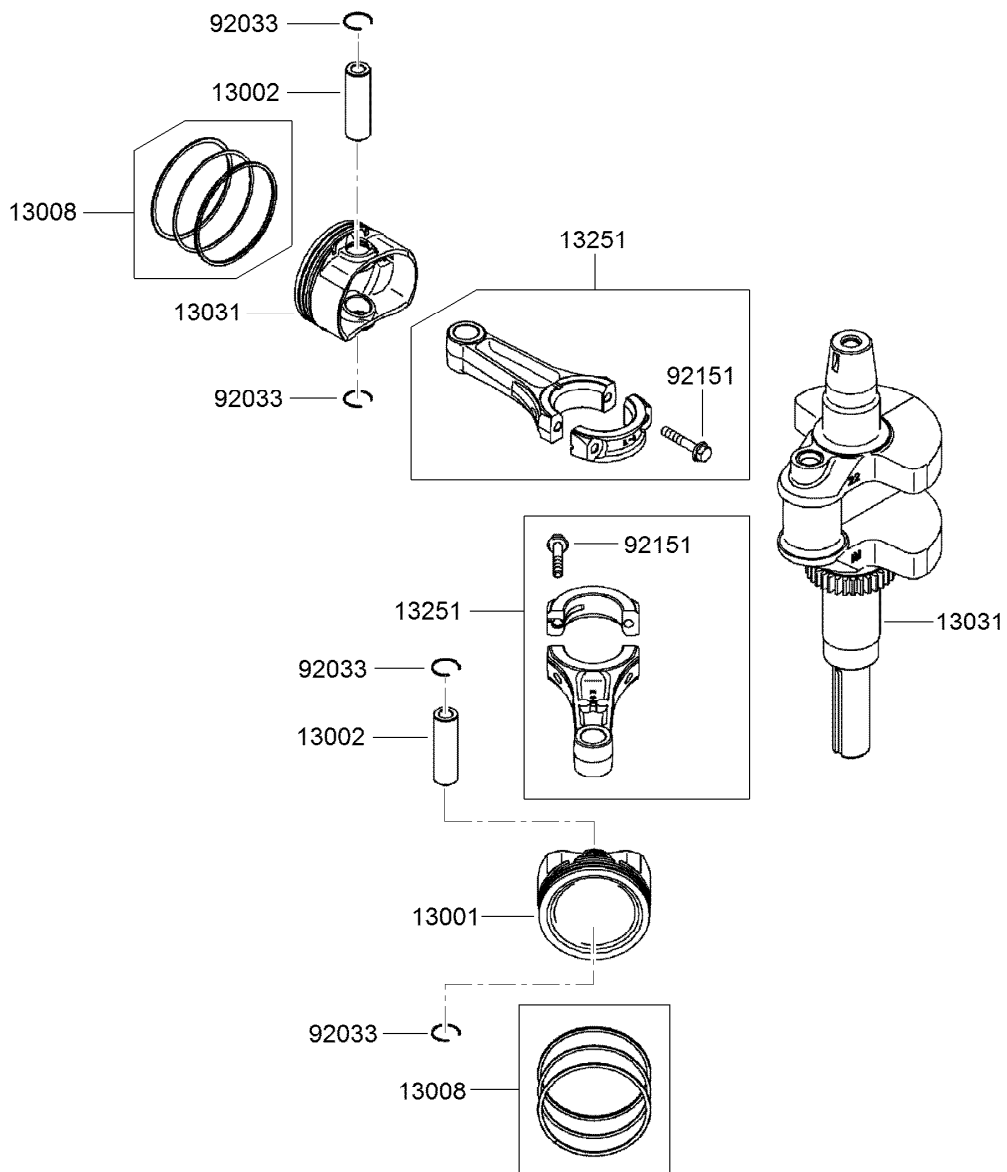
## Electrical Assembly

| Ref. | Part Number | Qty. | Description              | Ref. | Part Number | Qty. | Description           |
|------|-------------|------|--------------------------|------|-------------|------|-----------------------|
| 1    | 117-6289    | 1    | Harness-Wire             | 14   | 3253-4      | 2    | Washer-Lock           |
| 1:1  | 109103      | 1    | Fuse-Blade, 30 Amp       | 15   | 3220-2      | 2    | Nut-Jam               |
| 1:2  | 109102      | 1    | Fuse-Blade, 25 Amp       | 16   | 28-3891     | 1    | Wire-Solenoid/Starter |
| 1:3  | 109355      | 2    | Fuse-Blade, 15 Amp       | 17   | 32149-2     | 1    | Nut-Keps              |
| 1:4  | 116-0053    | 1    | Cap-Plug                 | 18   | 112-9708    | 1    | Cable-Battery, Red    |
| 2    | 98-7249     | 2    | Relay                    | 19   | 3256-2      | 2    | Washer-Flat           |
| 3    | 63-8360     | 1    | Key-Ignition             | 20   | 32149-1     | 2    | Nut-Keps              |
| 4    | 88-9830     | 1    | Key Switch ASM           | 21   | 322-3       | 2    | Screw-HH              |
| 4:1  | 3254-5      | 1    | Washer-Tooth, Internal   | 22   | 117-6422    | 1    | Cable-Battery, Black  |
| 4:2  | 218-461     | 1    | Nut-HH                   | 23   | 120-2244    | 1    | Hourmeter             |
| 5    | 105-3150-01 | 1    | Battery Tray ASM         | 24   | 32105-23    | 1    | Screw                 |
| 6    | 104-8162    | 1    | Battery                  | 26   | 3296-2      | 2    | Nut-Lock, NI          |
| 7    | 115-6621-03 | 1    | Plate-Hold Down, Battery | 27   | 3255-8      | 1    | Washer-Lock           |
| 8    | 104-8567    | 2    | Holdown-Battery          | 30   | 32105-13    | 1    | Screw-HWH             |
| 9    | 3296-42     | 2    | Nut-Lock, NI             | 31   | 62-4300     | 1    | Pad-Skid, Anti        |
| 10   | 3234-6      | 2    | Screw-HHF                | 32   | 33114-016   | 1    | Screw-HH              |
| 11   | 32128-49    | 2    | Nut-HHF                  | 35   | 3253-17     | 2    | Washer-Lock           |
| 12   | 117-1197    | 1    | Solenoid                 | 36   | 3219-14     | 2    | Nut-Hex               |
| 13   | 321-4       | 2    | Screw-HH                 |      |             |      |                       |



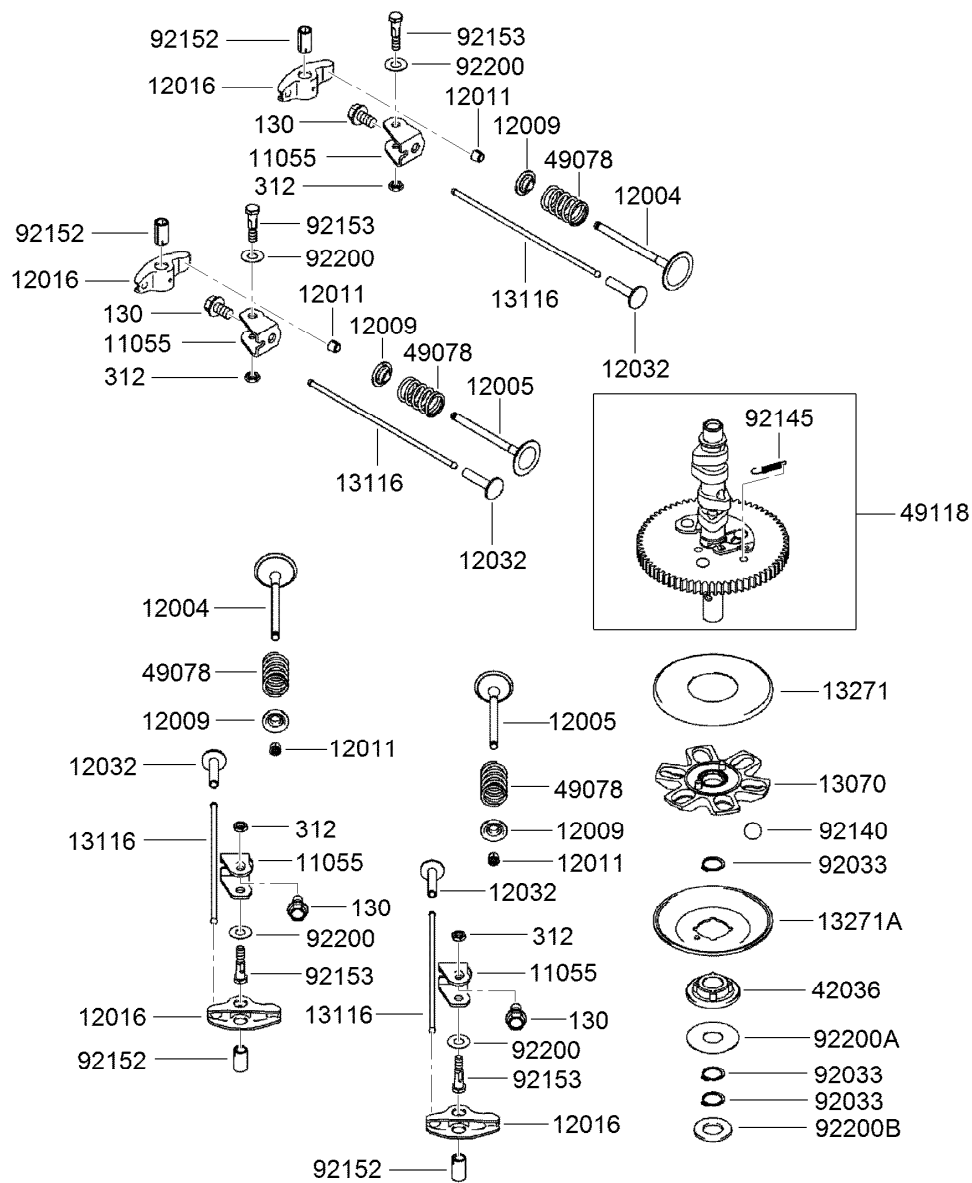
## Cylinder and Crankcase Assembly

| Ref.   | Part Number | Qty. | Description            | Ref.   | Part Number | Qty. | Description                 |
|--------|-------------|------|------------------------|--------|-------------|------|-----------------------------|
| 130    | 93-8548     | 10   | Bolt-Flanged (6X25)    | 32154  | 119-5811    | 3    | Pipe                        |
| 130A   | 120-7406    | 6    | Bolt-Flanged (8X70)    | 32155  | 119-5812    | 1    | Pipe-Breather               |
| 172    | 114-8658    | 4    | Bolt-Stud (8X18)       | 49015  | 120-7481    | 1    | Cover-Crankcase             |
| 214    | 115-6422    | 1    | Screw-Pan (4X8)        | 49120  | 120-7482    | 1    | Crankcase ASM               |
| 670    | 95-9771     | 2    | O-Ring (11Mm)          | 59071  | 95-9715     | 1    | Joint                       |
| 11004  | 120-7400    | 2    | Gasket-Head            | 92043  | KW10694     | 6    | Pin                         |
| 11008  | 120-7478    | 1    | Cylinder Head No.1 ASM | 92049  | 114-8650    | 4    | Seal-Oil, Rv C2 (6X11X10.2) |
| 11008A | 120-7479    | 1    | Cylinder Head No.2 ASM | 92049A | 119-5816    | 1    | Seal-Oil, So (8X14X5) Hs    |
| 11022  | 119-5803    | 1    | Case-Rocker (No.1)     | 92049B | 119-5817    | 1    | Seal-Oil, Sd (35X48X8) R Hs |
| 11022A | 119-5804    | 1    | Case-Rocker (No.2)     | 92049C | 119-5818    | 1    | Seal-Oil (38X62X8) Mtclv    |
| 11061  | 119-5805    | 2    | Gasket-Case, Rocker    | 92066  | 119-5819    | 1    | Plug                        |
| 11061A | 119-5806    | 1    | Gasket-Breather        | 92066A | 119-5820    | 2    | Plug                        |
| 13272  | 119-5808    | 1    | Plate-Breather         | 92104  | 119-5821    | 1    | Gasket-Liquid (Tb1217H)     |
| 14091  | 119-5809    | 1    | Cover-Breather         | 92153  | 114-8655    | 7    | Bolt (6X12)                 |
| 16126  | 119-5810    | 1    | Valve-Breather         | 92153A | 114-8656    | 14   | Bolt (8X50)                 |
| 27012  | 120-7480    | 1    | Hook-Lift              |        |             |      |                             |



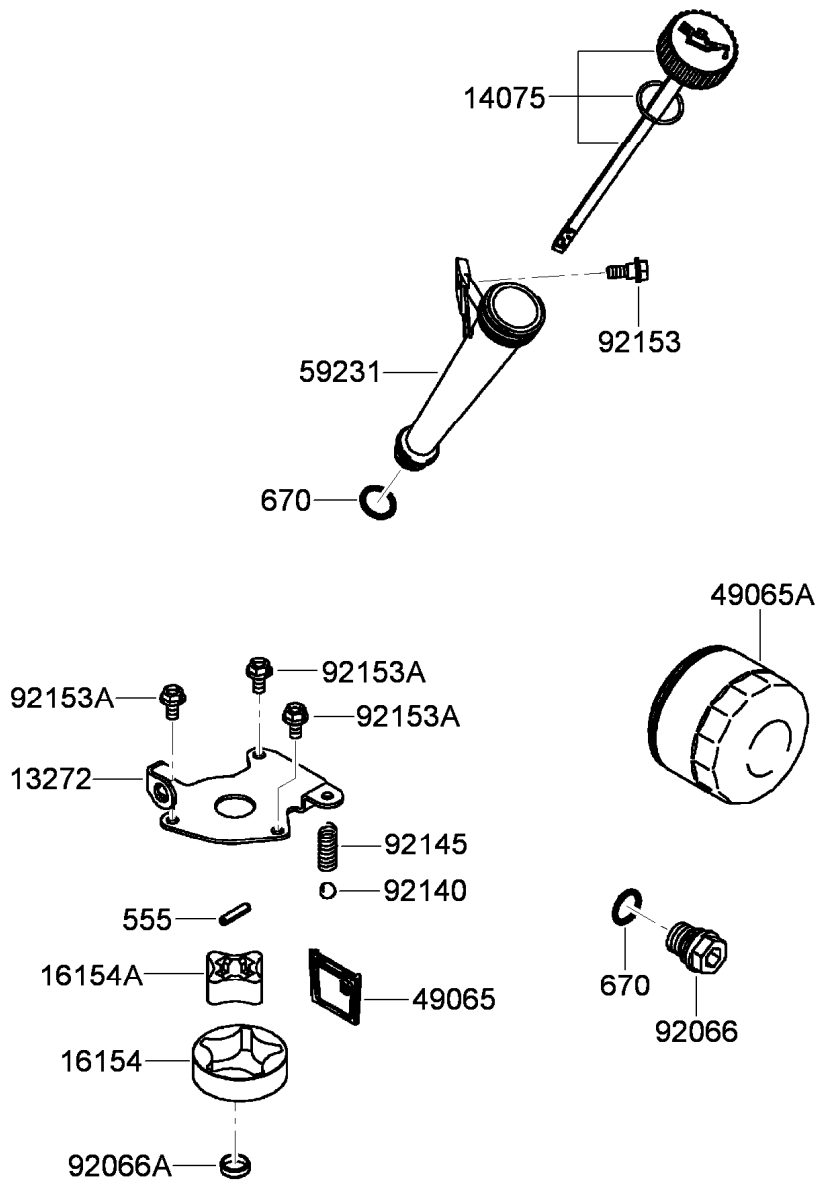
## Piston and Crankshaft Assembly

| <i>Ref.</i> | <i>Part Number</i> | <i>Qty.</i> | <i>Description</i> |
|-------------|--------------------|-------------|--------------------|
| 13001       | 120-7483           | 2           | Piston-Engine      |
| 13002       | 108-2517           | 2           | Pin-Piston         |
| 13008       | 120-7484           | 2           | Piston Ring Set    |
| 13031       | 120-7485           | 1           | Crankshaft ASM     |
| 13251       | 120-7412           | 2           | Connecting Rod ASM |
| 92033       | 114-8665           | 4           | Ring-Snap          |
| 92151       | 115-6565           | 4           | Bolt (6X35)        |



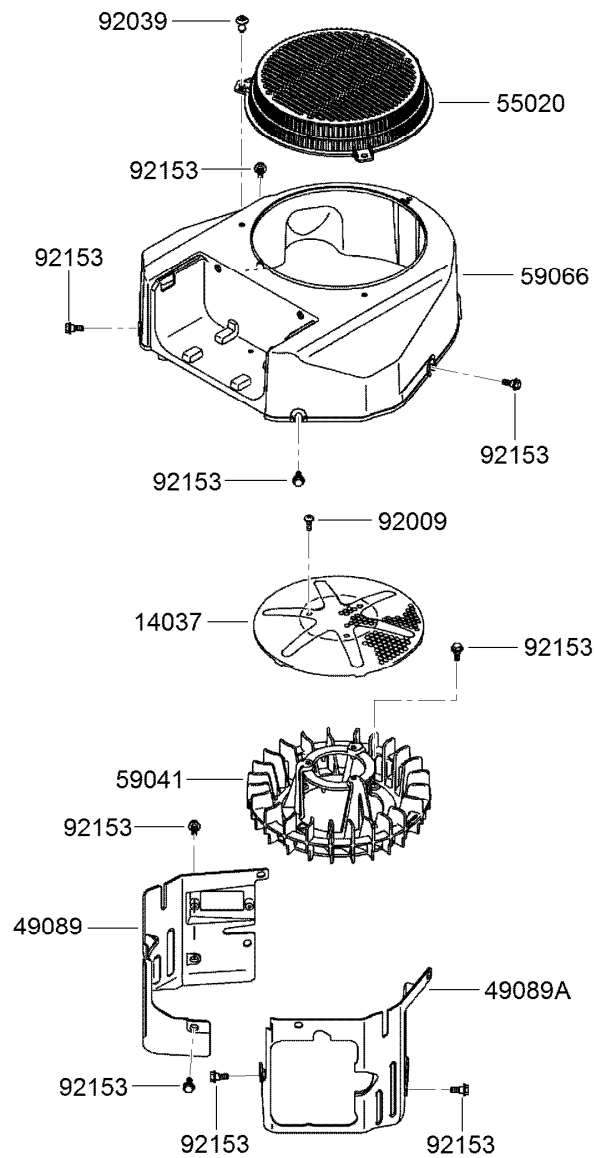
## Valve and Camshaft Assembly

| Ref.  | Part Number | Qty. | Description            | Ref.   | Part Number | Qty. | Description               |
|-------|-------------|------|------------------------|--------|-------------|------|---------------------------|
| 130   | 119-5845    | 4    | Bolt-Flanged (8X14)    | 13271A | 114-8672    | 1    | Plate-Governor            |
| 312   | 119-5846    | 4    | Nut-Hex (6Mm)          | 42036  | 114-8673    | 1    | Sleeve                    |
| 11055 | 119-5832    | 4    | Bracket                | 49078  | 119-5838    | 4    | Spring-Valve, Engine (In) |
| 12004 | 120-7413    | 2    | Valve-Intake           | 49118  | 120-7417    | 1    | Camshaft ASM              |
| 12005 | 120-7414    | 2    | Valve-Exhaust          | 92033  | 114-8675    | 3    | Ring-Snap                 |
| 12009 | 108-2525    | 4    | Retainer-Spring, Valve | 92140  | 114-8676    | 6    | Ball                      |
| 12011 | 95-9744     | 8    | Collet                 | 92145  | 114-8677    | 1    | Spring                    |
| 12016 | 119-5835    | 4    | Arm-Rocker             | 92152  | 119-5840    | 4    | Collar                    |
| 12032 | 108-2527    | 4    | Tappet                 | 92153  | 119-5841    | 4    | Bolt (6X29.5)             |
| 13070 | 119-5836    | 1    | Guide-Governor         | 92200  | 119-5842    | 4    | Washer (8.1X18X0.5)       |
| 13116 | 120-7415    | 4    | Rod-Push               | 92200A | 119-5843    | 1    | Washer (16X42X0.91)       |
| 13271 | 114-8671    | 1    | Plate                  | 92200B | 119-5844    | 1    | Washer (16.3X30X2.28)     |



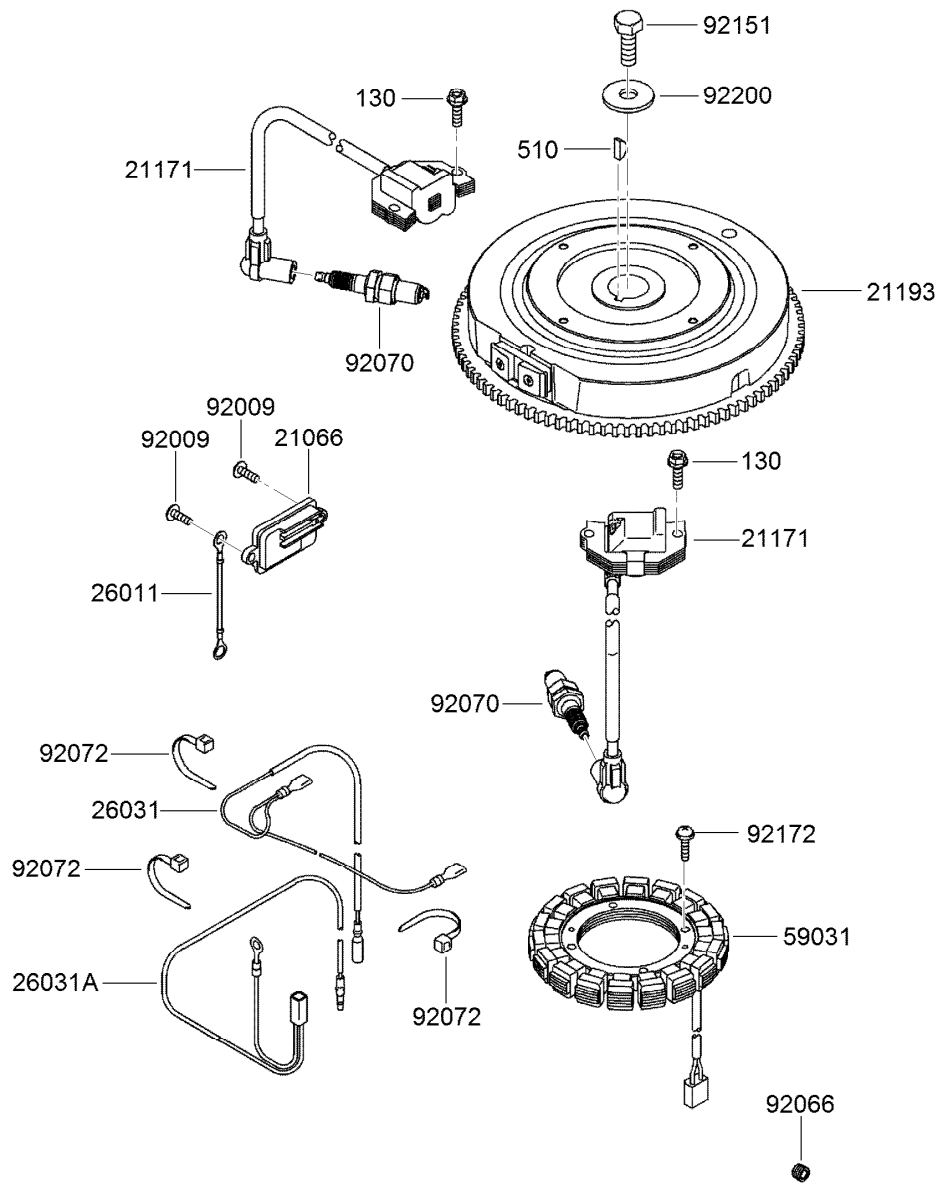
## Lubrication Equipment Assembly

| Ref.   | Part Number | Qty. | Description       |
|--------|-------------|------|-------------------|
| 555    | 119-5859    | 1    | Pin-Spring (4X20) |
| 670    | 1-413506    | 2    | O-Ring (16Mm)     |
| 13272  | 119-5847    | 1    | Plate-Rotor       |
| 14075  | 119-5848    | 1    | Oil Gauge Cap ASM |
| 16154  | 119-5849    | 1    | Rotor-Pump, Outer |
| 16154A | 119-5850    | 1    | Rotor-Pump, Inner |
| 49065  | 119-5851    | 1    | Filter-Oil        |
| 49065A | 119-5852    | 1    | Filter-Oil        |
| 59231  | 119-5853    | 1    | Tube-Filler, Oil  |
| 92066  | 119-5854    | 1    | Plug              |
| 92066A | 119-5855    | 1    | Plug              |
| 92140  | 119-5856    | 1    | Ball              |
| 92145  | 119-5857    | 1    | Spring            |
| 92153  | 114-8697    | 1    | Bolt              |
| 92153A | 115-6419    | 3    | Bolt (6X12)       |



## Cooling Equipment Assembly

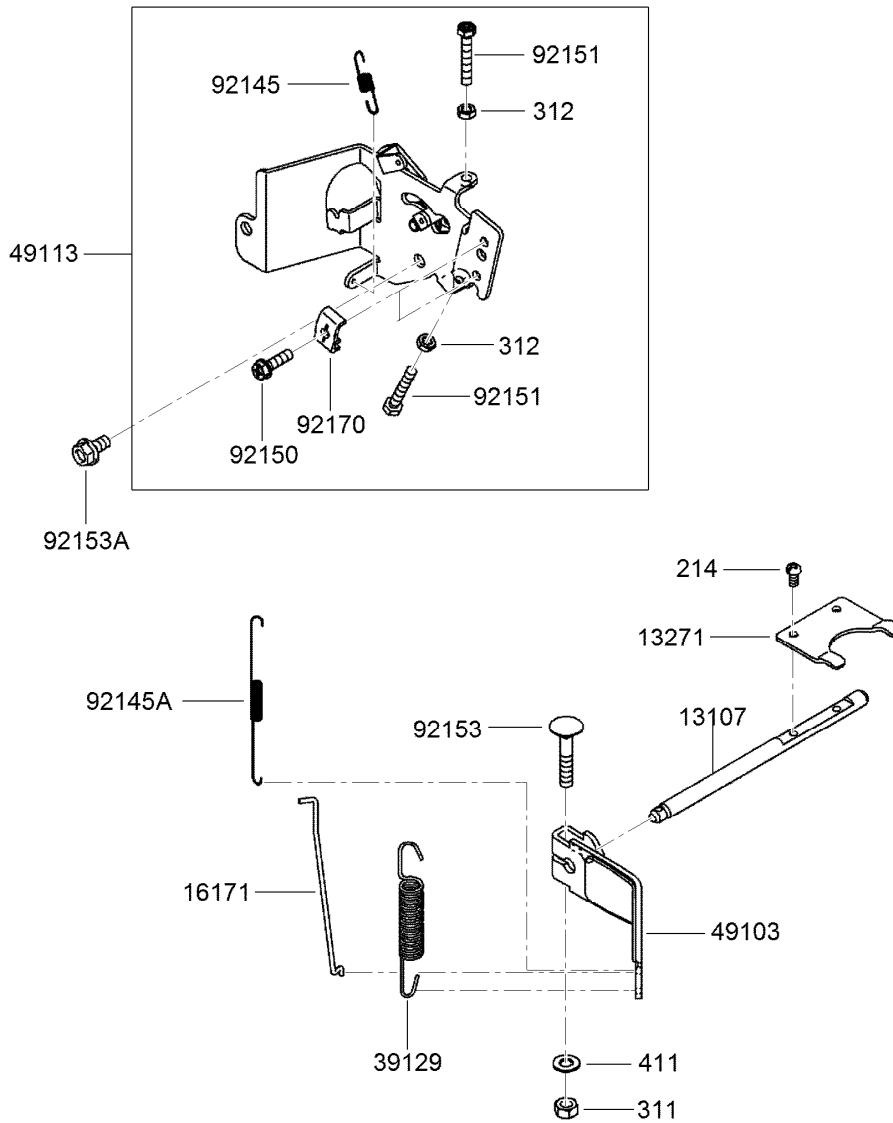
| <i>Ref.</i> | <i>Part Number</i> | <i>Qty.</i> | <i>Description</i> |
|-------------|--------------------|-------------|--------------------|
| 14037       | 120-7486           | 1           | Screen             |
| 49089       | 120-7420           | 1           | Shroud-Engine      |
| 49089A      | 120-7421           | 1           | Shroud-Engine      |
| 55020       | 120-7487           | 1           | Guard-Screen       |
| 59041       | 120-7488           | 1           | Fan                |
| 59066       | 120-7489           | 1           | Housing-Fan        |
| 92009       | 119-5879           | 3           | Screw              |
| 92039       | 120-7490           | 3           | Rivet-Guard        |
| 92153       | 120-7424           | 12          | Bolt               |



## Electric Equipment Assembly

| Ref.   | Part Number | Qty. | Description         |
|--------|-------------|------|---------------------|
| 130    | 95-9893     | 4    | Bolt-Flanged (6X20) |
| 510    | KW10163     | 1    | Key-Woodruff        |
| 21066  | 120-7356    | 1    | Regulator-Voltage   |
| 21171  | 119-5872    | 2    | Ignition Coil ASM   |
| 21193  | 120-7491    | 1    | Flywheel ASM        |
| 26011  | 120-7492    | 1    | Wire-Lead (L=95)    |
| 26031  | 119-5876    | 1    | Harness             |
| 26031A | 120-7493    | 1    | Harness             |

| Ref.  | Part Number | Qty. | Description        |
|-------|-------------|------|--------------------|
| 59031 | 120-7494    | 1    | Coil-Charging      |
| 92009 | 119-5879    | 2    | Screw              |
| 92066 | 119-5820    | 1    | Plug               |
| 92070 | 92-2153     | 2    | Spark Plug         |
| 92072 | 115-6585    | 3    | Band               |
| 92151 | 115-6408    | 1    | Bolt (12X30)       |
| 92172 | 115-4030    | 4    | Screw (5X20)       |
| 92200 | 115-4031    | 1    | Washer (12.2X46X3) |

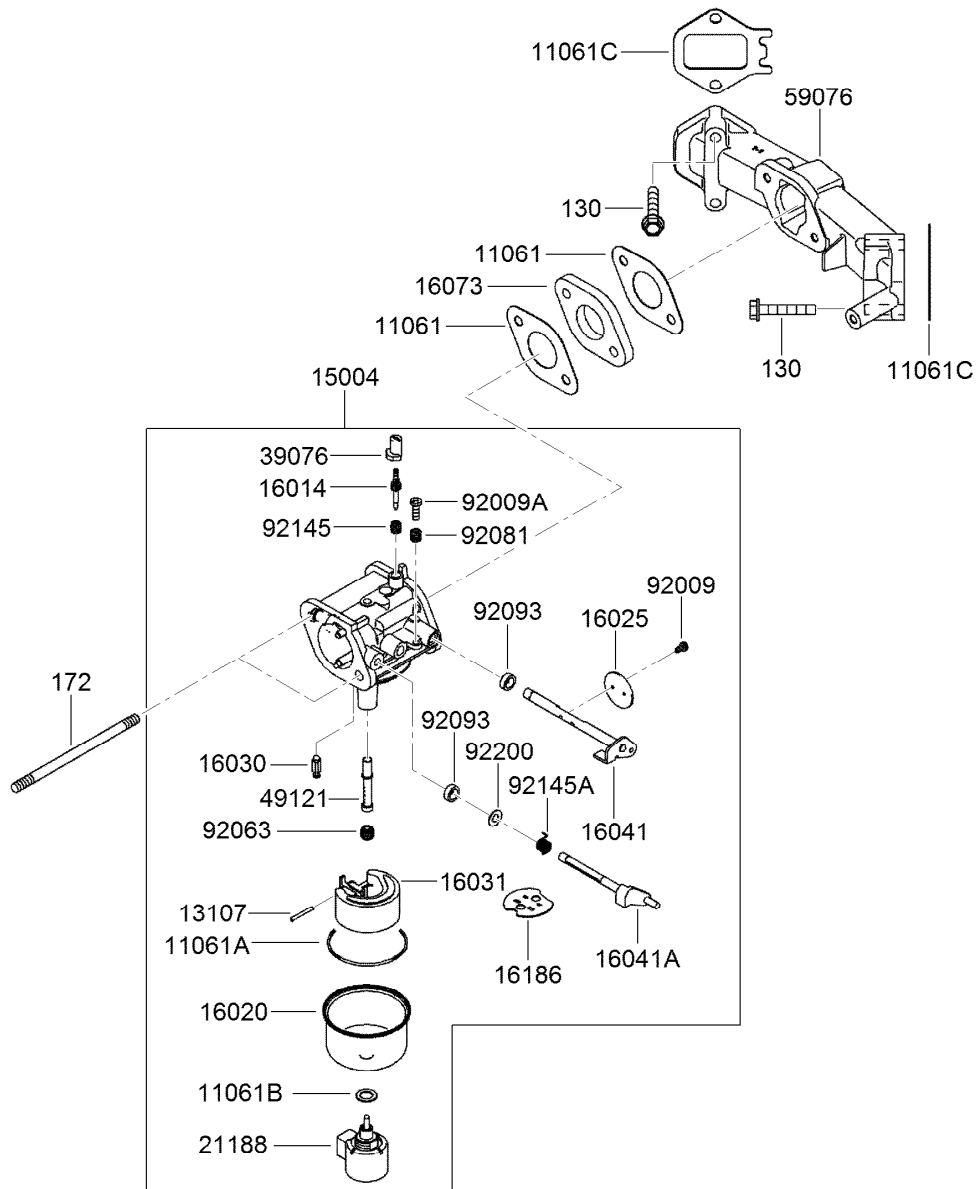


## Control Equipment Assembly

| <i>Ref.</i> | <i>Part Number</i> | <i>Qty.</i> | <i>Description</i> |
|-------------|--------------------|-------------|--------------------|
| 214         | 115-6422           | 2           | Screw-Pan (4X8)    |
| 311         | 114-8698           | 1           | Nut-Hex (6Mm)      |
| 312         | 119-5894           | 2           | Nut-Hex (5Mm)      |
| 411         | 115-6423           | 1           | Washer-Plain (6Mm) |
| 13107       | 120-7428           | 1           | Shaft              |
| 13271       | 119-5883           | 1           | Plate              |
| 16171       | 120-7495           | 1           | Link               |
| 39129       | 120-7496           | 1           | Spring-Governor    |
| 49103       | 120-7431           | 1           | Arm-Governor       |

| <i>Ref.</i> | <i>Part Number</i> | <i>Qty.</i> | <i>Description</i> |
|-------------|--------------------|-------------|--------------------|
| 49113       | 120-7497           | 1           | Control Panel ASM  |
| 92145       | 120-7498           | 1           | Spring             |
| 92145A      | 119-5889           | 1           | Spring             |
| 92150       | 95-9853            | 2           | Bolt (5X18)        |
| 92151       | 119-5891           | 2           | Bolt (5X30)        |
| 92153       | 115-6420           | 1           | Bolt (6X35)        |
| 92153A      | 114-8655           | 1           | Bolt (6X12)        |
| 92170       | 115-6421           | 2           | Clamp              |

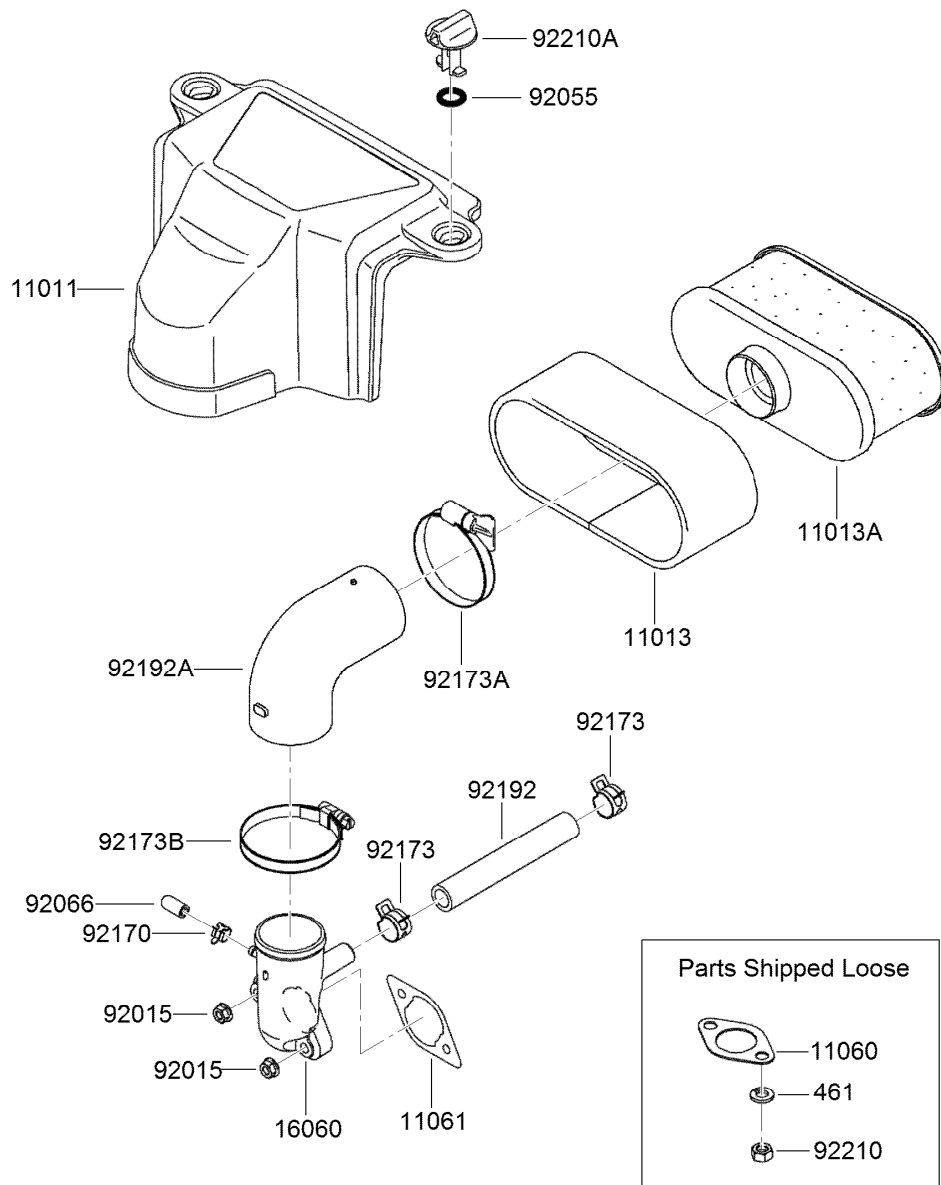




## Carburetor Assembly

| Ref.   | Part Number | Qty. | Description                |
|--------|-------------|------|----------------------------|
| 130    | 115-6591    | 4    | Bolt-Flanged (6X35)        |
| 172    | 120-7446    | 2    | Bolt-Stud (6X95)           |
| 11061  | 115-6424    | 2    | Gasket-Insulator           |
| 11061A | 115-6425    | 1    | Gasket-Chamber             |
| 11061B | 108-2580    | 1    | Gasket-Screw               |
| 11061C | 120-7433    | 2    | Gasket-Manifold            |
| 13107  | 115-6427    | 1    | Shaft                      |
| 15004  | 120-7499    | 1    | Carburetor ASM             |
| 16014  | 120-7436    | 1    | Screw-Air, Pilot           |
| 16020  | 115-6430    | 1    | Chamber-Float              |
| 16025  | 115-6431    | 2    | Valve-Throttle             |
| 16030  | 115-6432    | 1    | Valve-Float                |
| 16031  | 115-6433    | 1    | Float                      |
| 16041  | 115-6435    | 1    | Shaft-Throttle, Carburetor |
| 16041A | 120-7437    | 1    | Shaft-Carburetor, Choke    |

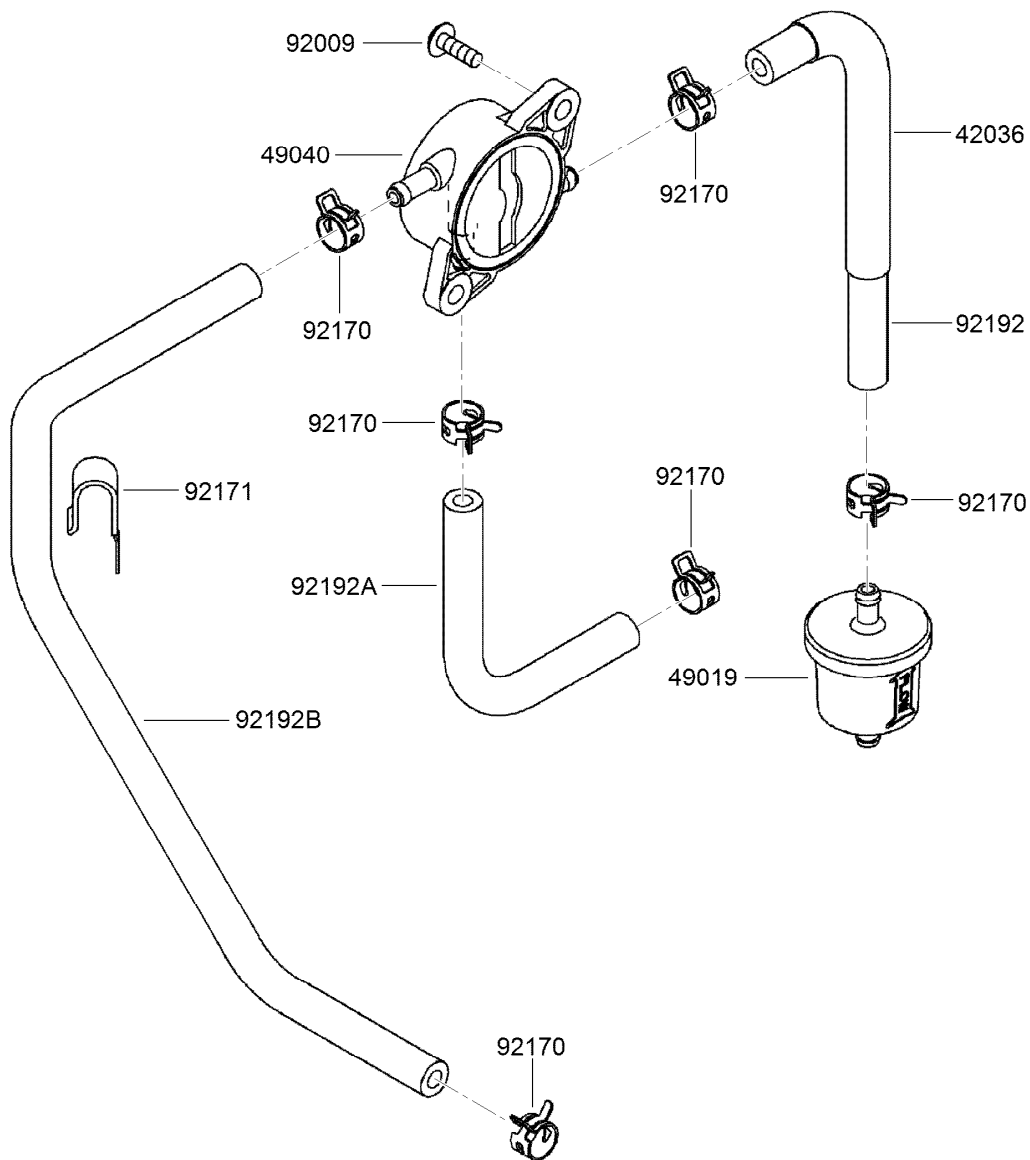
| Ref.   | Part Number | Qty. | Description          |
|--------|-------------|------|----------------------|
| 16073  | 115-6594    | 1    | Insulator            |
| 16186  | 120-7438    | 1    | Choke Valve ASM      |
| 21188  | 115-6597    | 1    | Solenoid             |
| 39076  | 108-2593    | 1    | Limiter              |
| 49121  | 120-7500    | 1    | Nozzle-Main          |
| 59076  | 120-7440    | 1    | Manifold-Intake      |
| 92009  | 108-2595    | 2    | Screw                |
| 92009A | 108-2596    | 1    | Screw                |
| 92063  | 120-7443    | 1    | Jet-Main, No.102     |
| 92081  | 108-2598    | 1    | Spring               |
| 92093  | 108-2599    | 2    | Seal                 |
| 92145  | 108-2600    | 1    | Spring               |
| 92145A | 120-7444    | 1    | Spring               |
| 92200  | 120-7445    | 1    | Washer (9.8X5.5X1.0) |



## Air Filter and Muffler Assembly

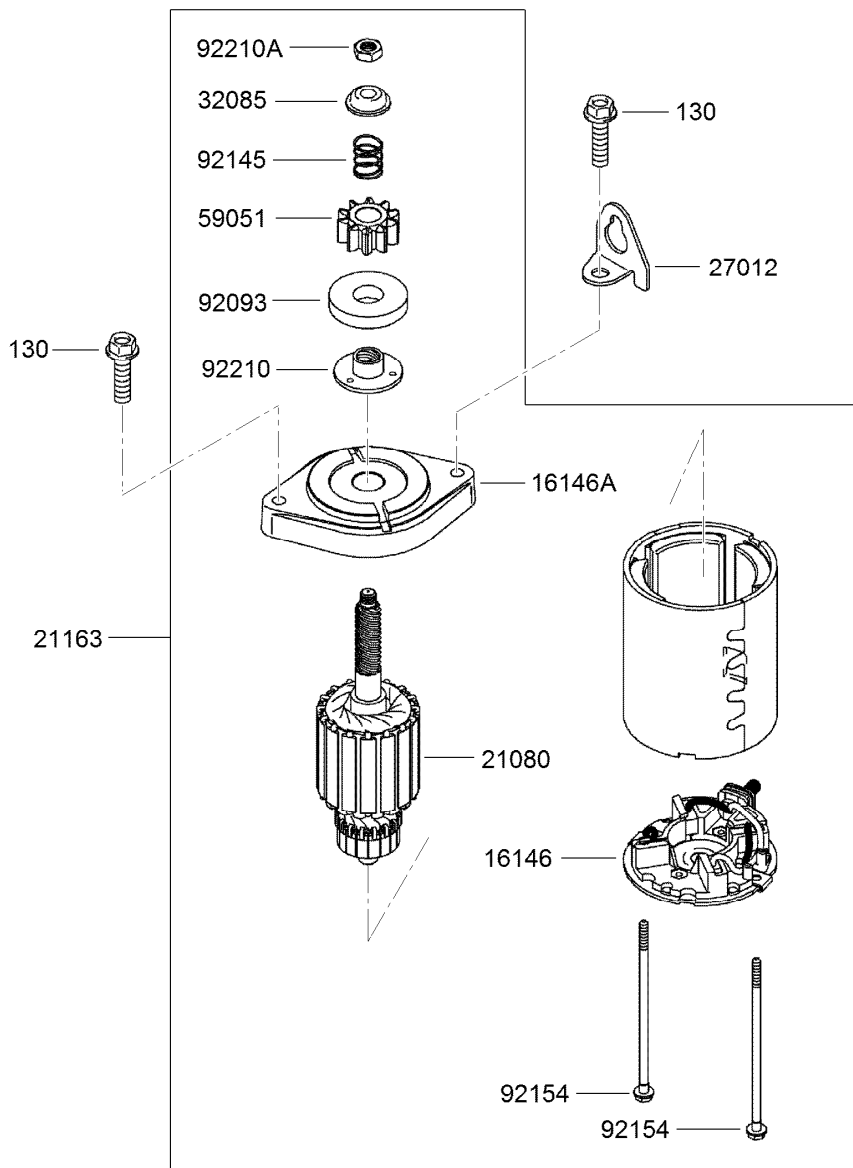
| <i>Ref.</i> | <i>Part Number</i> | <i>Qty.</i> | <i>Description</i>  |
|-------------|--------------------|-------------|---------------------|
| 461         | 119-5962           | 4           | Washer-Spring (8Mm) |
| 11011       | 120-7477           | 1           | Case-Filter, Air    |
| 11013       | 120-7501           | 1           | Element-Filter, Air |
| 11013A      | 120-7502           | 1           | Element-Filter, Air |
| 11060       | 119-5948           | 2           | Gasket-Muffler      |
| 11061       | 115-6426           | 1           | Gasket-Cleaner, Air |
| 16060       | 120-7450           | 1           | Pipe-Intake         |
| 92015       | 119-5954           | 2           | Nut                 |
| 92055       | 120-7451           | 2           | O-Ring              |

| <i>Ref.</i> | <i>Part Number</i> | <i>Qty.</i> | <i>Description</i>   |
|-------------|--------------------|-------------|----------------------|
| 92066       | 120-7452           | 1           | Plug                 |
| 92170       | 120-7453           | 1           | Clamp                |
| 92173       | 119-5956           | 2           | Clamp                |
| 92173A      | 120-7454           | 1           | Clamp                |
| 92173B      | 120-7455           | 1           | Clamp                |
| 92192       | 119-5957           | 1           | Tube (12.6X18.6X118) |
| 92192A      | 120-7503           | 1           | Tube-A/C             |
| 92210       | 119-5959           | 4           | Nut (M8)             |
| 92210A      | 120-7457           | 2           | Nut                  |



## Fuel Pump and Filter Assembly

| <i>Ref.</i> | <i>Part Number</i> | <i>Qty.</i> | <i>Description</i>   |
|-------------|--------------------|-------------|----------------------|
| 42036       | 119-5963           | 1           | Sleeve               |
| 49019       | 119-5964           | 1           | Filter-Fuel          |
| 49040       | 119-5965           | 1           | Pump-Fuel            |
| 92009       | 119-5879           | 2           | Screw                |
| 92170       | 119-5967           | 6           | Clamp                |
| 92171       | 119-5968           | 1           | Clamp                |
| 92192       | 119-5969           | 1           | Tube (6.35X12.7X185) |
| 92192A      | 119-5970           | 1           | Tube (6.4X12.7X150)  |
| 92192B      | 120-7516           | 1           | Tube (6.35X12.7X360) |



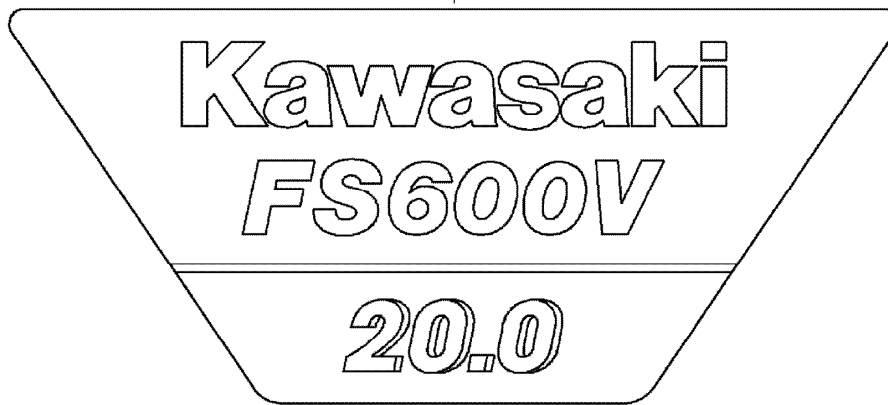
## Starter Assembly

| <i>Ref.</i> | <i>Part Number</i> | <i>Qty.</i> | <i>Description</i>   |
|-------------|--------------------|-------------|----------------------|
| 130         | 120-7515           | 2           | Bolt-Flanged (8X30)  |
| 16146       | 120-7504           | 1           | Cover ASM            |
| 16146A      | 120-7505           | 1           | Cover ASM            |
| 21080       | 120-7506           | 1           | Armature             |
| 21163       | 120-7507           | 1           | Electric Starter ASM |
| 27012       | 119-5983           | 1           | Hook                 |
| 32085       | 120-7508           | 1           | Stopper              |
| 59051       | 120-7509           | 1           | Gear-Spur            |
| 92093       | 120-7510           | 1           | Seal                 |
| 92145       | 120-7511           | 1           | Spring               |
| 92154       | 120-7512           | 2           | Bolt                 |
| 92210       | 120-7513           | 1           | Nut                  |
| 92210A      | 120-7514           | 1           | Nut                  |

56070



56080



## Label Set

| <i>Ref.</i> | <i>Part Number</i> | <i>Qty.</i> | <i>Description</i> |
|-------------|--------------------|-------------|--------------------|
| 56070       | 108-2625           | 1           | Label-Warning      |
| 56080       | 120-7517           | 1           | Label-Brand        |

# Attachments and Accessories

## For 22973 TRX-20 Trencher

| <b>Product Name</b>                                | <b>Model/Part</b> |
|--|-------------------|
| 8in Chain Conversion Kit for 36in Soil Chain ..... | 117-3480          |
| Crumber Kit .....                                  | 22477             |
| 24in X 4in Soil Chain .....                        | 22480             |
| 24in X 4in Combination Chain .....                 | 22481             |
| 24in X 4in Rock Tooth Chain .....                  | 22482             |
| 24in X 6in Soil Chain .....                        | 22483             |
| 24in X 6in Combination Chain .....                 | 22484             |
| 24in X 6in Rock Tooth Chain .....                  | 22485             |
| 36in X 4in Soil Chain .....                        | 22486             |
| 36in X 4in Combination Chain .....                 | 22487             |
| 36in X 4in Rock Tooth Chain .....                  | 22488             |
| 36in X 6in Rock Tooth Chain .....                  | 22489             |
| 36in X 6in Soil Chain .....                        | 22490             |
| 36in X 6in Combination Chain .....                 | 22491             |
| 48in x 4in Soil Chain .....                        | 22492             |
| 48in x 4in Combination Chain .....                 | 22493             |
| 48in x 6in Soil Chain .....                        | 22494             |
| 48in x 6in Combination Chain .....                 | 22495             |
| 24in X 4in Bullet Chain .....                      | 22496             |
| 24in X 6in Bullet Chain .....                      | 22497             |
| 36in X 4in Bullet Chain .....                      | 22498             |
| 36in X 6in Bullet Chain .....                      | 22499             |
| 24in Trencher Boom .....                           | 22975             |
| 36in Trencher Boom .....                           | 22976             |
| 48in Trencher Boom .....                           | 22977             |
| Bore Drive Attachment .....                        | 22978             |
| Backfill Blade .....                               | 22980             |
| Spark Arrestor Screen .....                        | 94-8157           |

**Notes:**



**Count on it.**