



**Count on it.**

**Parts Catalog**

**60in E-Z Vac™ DFS Collection System**

**Z Master® G3 Mower**

**Model No. 78567—Serial No. 290000001 and Up**

# Ordering Replacement Parts

To order replacement parts, please supply the part number, the quantity, and the description of each part desired.

## Understanding Reference Numbers

Each identified part in an illustration has a reference number. The reference number for a part also appears in the parts list, along with other information about the part.

This catalog uses two special reference number formats, one to indicate parts in a service assembly and another to indicate the quantity of a given part in an illustration.

## Service Assembly Reference Numbers

Parts in service assemblies have reference numbers in the form a:b. The a represents the reference number of the entire service assembly and the b represents a sequential number unique to each part within the service assembly.

For example, a wheel assembly might be identified by reference number 6, the tire by 6:1, the valve by 6:2, and the wheel by 6:3. When you order the assembly identified by reference number 6, you receive all parts identified by reference numbers 6:1, 6:2, and 6:3. However, you may also order any part individually. Reference numbers of this type appear in illustration and in parts lists.

## Reference Numbers Indicating Quantity

In an illustration, if a reference number indicates more than one part, the reference number has the form nX y. The n represents the quantity of the part, the X is the multiplication symbol, and the y represents the reference number.

For example, in an illustration, the reference number 2X 37 means that two of the parts identified by reference number 37 are indicated.

# List of Abbreviations

**AR:** as required

**ASM:** assembly

**BBC:** blade brake control

**BHTF:** button head thread forming

**CARR:** carriage

**CCW:** counter clockwise

**CW:** clockwise

**DEG:** degrees

**DPA:** Dual Point Adjustment

**ECM:** electronic control module

**EXT:** external

**FH:** flat head

**GA:** gauge

**HD:** heavy-duty

**HF:** hex flange

**HH:** hex head

**HHF:** hex head flange

**HHFTF:** hex head flange thread forming

**HJ:** hex jam

**HLH:** hex lag head

**HOC:** height-of-cut

**HSBH:** hex socket button head

**HSFH:** hex socket flat head

**HSH:** hex socket head

**HWH:** hex washer head

**HWHTF:** hex washer head thread forming

**HYD:** hydraulic

**LH:** left hand

**LP:** Liquid Propane

**NI:** nylon insert

**NPTF:** national pipe thread fine

**PFH:** phillips flat head

**PPH:** phillips pan head

**PPHTF:** phillips pan head thread forming

**PRH:** phillips round head

**PTH:** phillips truss head

**PTO:** power-take-off

**RH:** right hand

**ROPS:** roll-over protection system

**RRB:** rear roller brush

**SFH:** slotted fillister head

**SHH:** slotted hex head

**SHWH:** slotted hex washer head

**SPH:** slotted pan head

**SQH:** square head

**SRH:** slotted round head

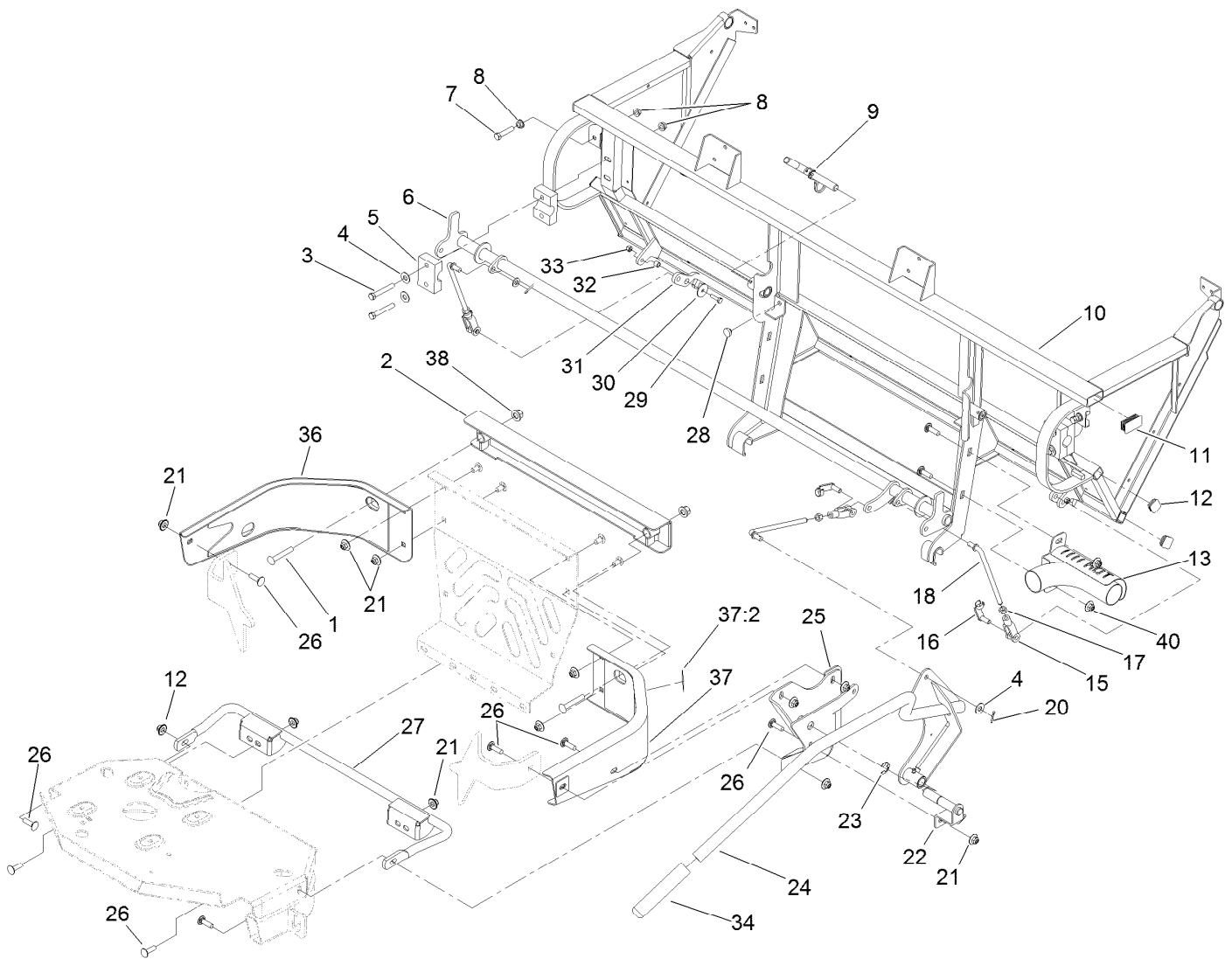
**STD:** standard

**TAP:** self tapping

**TTH:** torx truss head

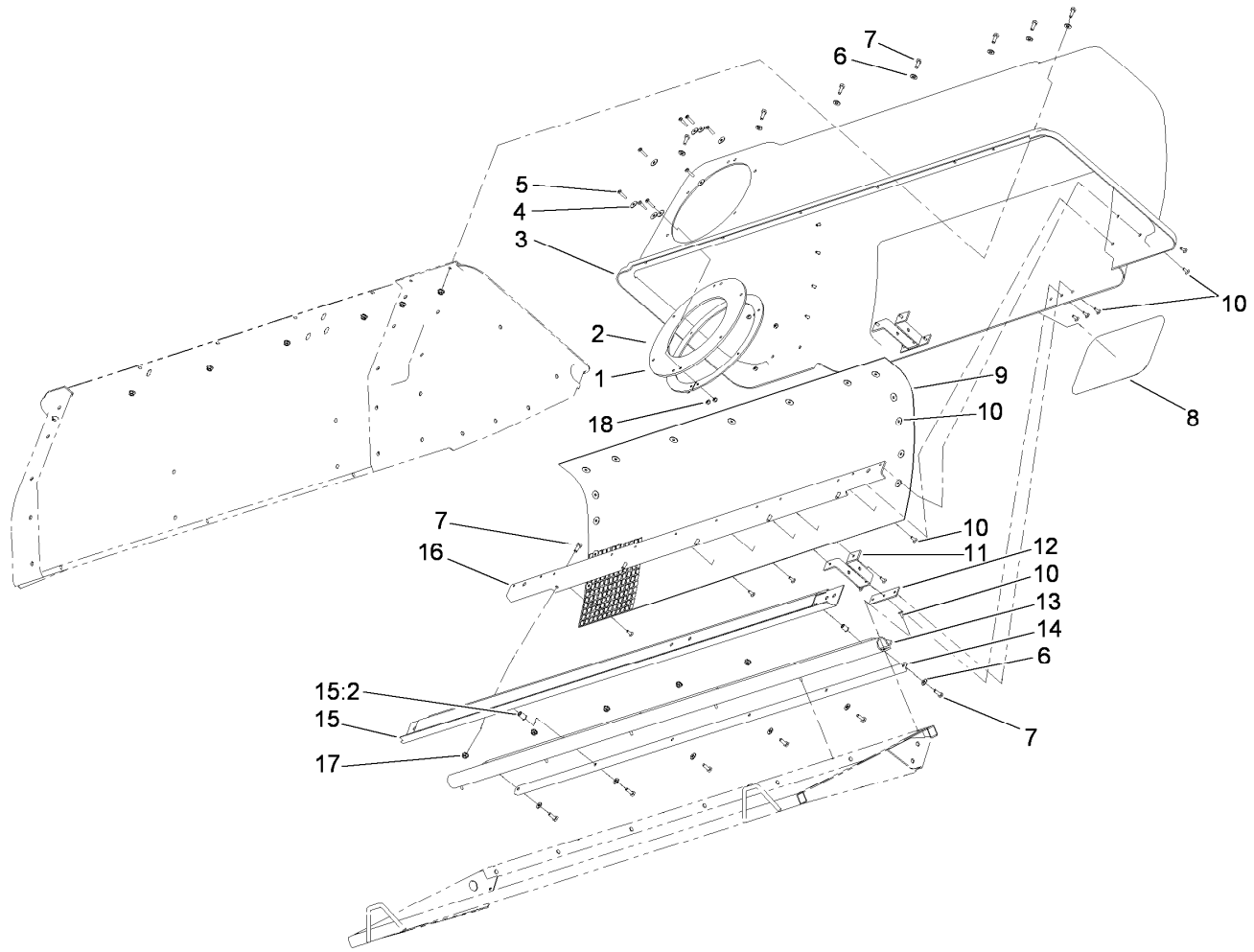
# Contents

- Bagger Mount Assembly ..... 4
- Bagger Hood Assembly ..... 5
- Tube and Weight Assembly ..... 6
- Bagger Assembly ..... 7



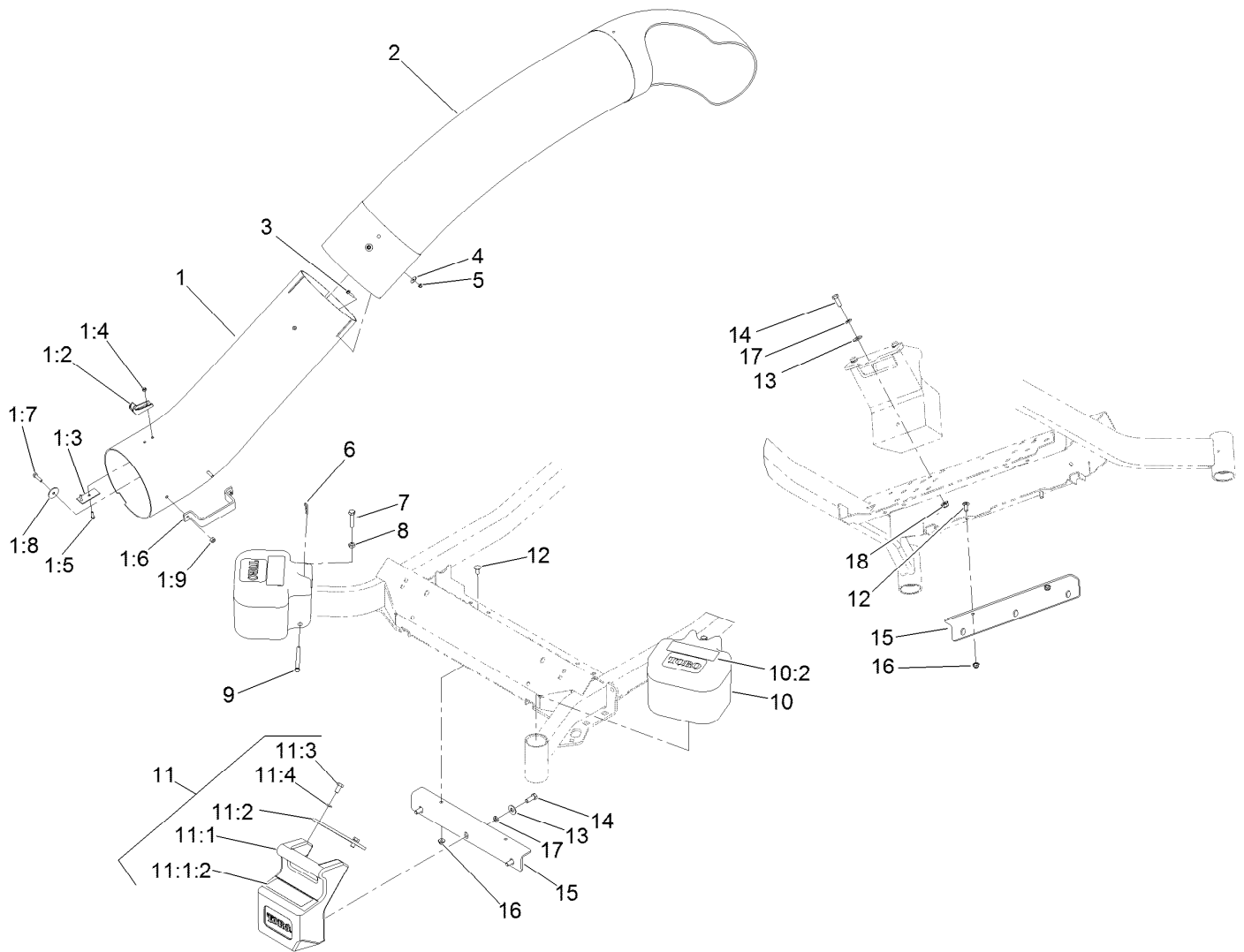
## Bagger Mount Assembly

Ref.	Part Number	Qty.	Description	Ref.	Part Number	Qty.	Description
1	3233-34	2	Screw-CARR	22	109-6869	1	Handle Pin
2	116-0473-03	1	Mount-Bagger, Upper	23	32151-48	1	E-Ring
3	323-12	4	Screw-HH	24	115-3604-03	1	Bagger Handle ASM
4	3256-4	7	Washer-Flat	25	109-8712-03	1	Mount-Pivot
5	103-2409	4	Half-Block, Bearing	26	3231-28	10	Screw-CARR
6	103-2412-03	1	Link-Intermediate	27	109-9248	1	Mount-Bagger, Lower
7	323-53	2	Screw-HH	28	1-513658	2	Bumper
8	3290-357	8	Nut-HHF, Whiz	29	321-6	2	Screw-HH
9	116-0458	2	Bagger Mount Pin ASM	30	3256-55	2	Washer-Flat
10	109-8709-03	1	Frame	31	103-3191-03	2	Latch
11	103-3201	2	Cap	32	1-633545	2	Spacer
12	103-3202	4	Cap	33	3296-42	2	Nut-Lock, NI
13	109-9338	1	Diverter-Exhaust	34	103-7115	1	Handle-Grip
15	1-633131	3	Yoke-Linkage, Brake	36	116-0057-03	1	Bumper-RH
16	103-2399	3	Pin-Spring, Clevis	37	116-0180	1	LH Bumper ASM
17	3219-3	3	Nut-Hex	37:2	103-2076	1	Decal-Caution
18	103-2413	3	Link-Handle	38	99-5107	2	Nut-Lock
20	3272-10	3	Pin-Cotter	40	104-8301	2	Nut-Flange, NI
21	109-6658	14	Nut-Flange, NI				



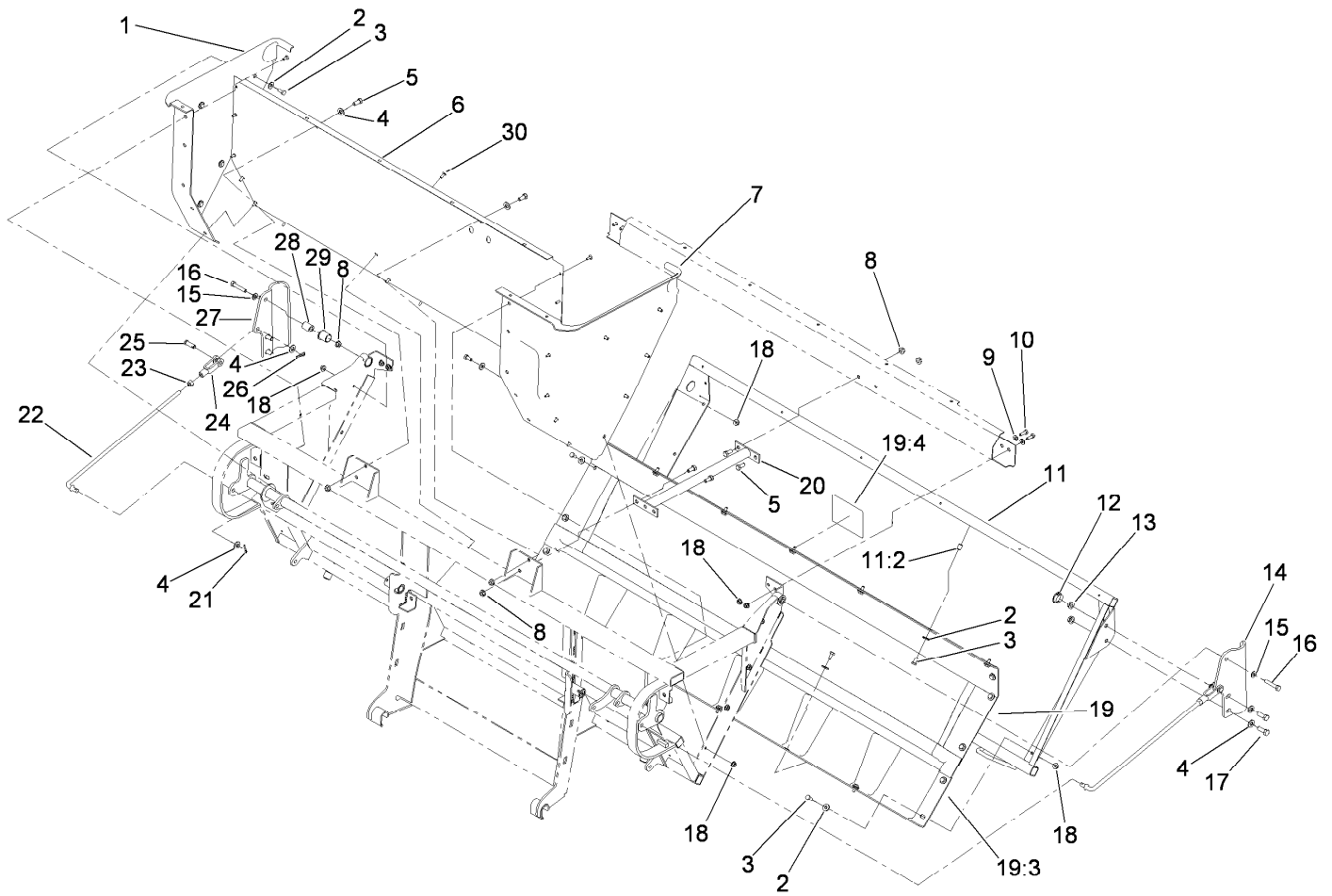
## Bagger Hood Assembly

<i>Ref.</i>	<i>Part Number</i>	<i>Qty.</i>	<i>Description</i>
1	103-0378	2	Clamp-Seal
2	103-0439	1	Seal-Tube
3	114-8246	1	Hood ASM
4	3256-61	23	Washer-Flat
5	3250-27	8	Screw-PPH
6	3256-22	13	Washer-Flat
7	321-4	18	Screw-HH
8	67-7310	1	Decal
9	103-0440	1	Screen-Bagger
10	114439	39	Rivet-Pop
11	103-0379	2	Bracket-Mount
12	103-0376	2	Plate-Latch, Reinforcement
13	103-2360	1	Seal-Door Hinge
14	103-3010-03	1	Strap-Hold Down
15	103-2710	1	Rear Crossmember ASM
15:2	32148-6	6	Insert-Nut
16	103-2662-03	1	Support-Screen
17	32128-33	12	Nut-HF
18	3296-2	8	Nut-Lock, NI



## Tube and Weight Assembly

Ref.	Part Number	Qty.	Description	Ref.	Part Number	Qty.	Description
1	109-1973	1	Lower Tube ASM	10	115-3636	2	63 Lbs Weight ASM
1:2	103-2897	2	Latch-Catch	10:2	106-0871	1	Decal-Warning, Counterweight
1:3	103-3079	2	Plate-Backing	11	120-7883	3	Weight ASM
1:4	3296-2	4	Nut-Lock, NI	11:1	120-7882	1	Weight
1:5	32105-13	4	Screw-HWH	11:1:2	106-0871	1	Decal-Warning, Counterweight
1:6	1-353005-03	1	Handle	11:2	115-3616-01	1	Tab-Weight Support
1:7	321-6	2	Screw-HH	11:3	323-4	2	Screw-HH
1:8	3256-55	2	Washer-Flat	11:4	3253-5	2	Washer-Lock
1:9	3296-42	2	Nut-Lock, NI	12	3230-23	2	Screw-CARR
2	109-3525	1	Tube-Upper	13	3256-4	6	Washer-Flat
3	32105-13	3	Screw-HWH	14	323-6	6	Screw-HH
4	3256-61	3	Washer-Flat	15	115-3615-01	1	Bracket-Weight Mount
5	3296-2	3	Nut-Lock, NI	16	104-8300	2	Nut-Flange, NI
6	1-806003	2	Pin-Cotter, Hair	17	3253-5	6	Washer-Lock
7	323-50	2	Bolt-HH	18	104-8301	3	Nut-Flange, NI
8	3217-7	2	Nut-Hex				
9	100-1413	2	Pin-Clevis				



## Bagger Assembly

<i>Ref.</i>	<i>Part Number</i>	<i>Qty.</i>	<i>Description</i>	<i>Ref.</i>	<i>Part Number</i>	<i>Qty.</i>	<i>Description</i>
1	103-7827	1	Panel-Bagger, RH	17	323-6	4	Screw-HH
2	3256-2	32	Washer-Flat	18	32128-33	24	Nut-HF
3	321-3	32	Screw-HH	19	103-2383	1	Bag And Bottom Panel ASM
4	3256-24	8	Washer-Flat	19:3	103-2486	1	Pan-Bag, Bottom
5	322-3	6	Screw-HH	19:4	1-653554	1	Decal-Bag Warning
6	103-2404-03	1	Sheet-Wall	20	103-2414-03	1	Support
7	103-7826	1	Panel-Bagger, LH	21	3272-10	2	Pin-Cotter
8	32128-20	8	Nut-HF	22	103-2365	2	Link-Hinge
9	3256-22	4	Washer-Flat	23	3219-3	2	Nut-Hex
10	321-4	4	Screw-HH	24	1-633131	2	Yoke-Linkage, Brake
11	103-2737	1	Door ASM	25	1-808285	2	Pin-Clevis
11:2	32148-6	12	Insert-Nut	26	1-806003	2	Pin-Cotter, Hair
12	103-8018	2	Plug-Dome	27	103-3331-03	1	Arm-Hinge, RH
13	3290-357	4	Nut-HHF, Whiz	28	103-2361	2	Pin-Pivot, Hinge
14	103-3332-03	1	Arm-Hinge, LH	29	103-2377	2	Bushing
15	3256-23	2	Washer-Flat	30	114439	21	Rivet-Pop
16	322-9	2	Screw-HH				



**Count on it.**