



**Count on it.**

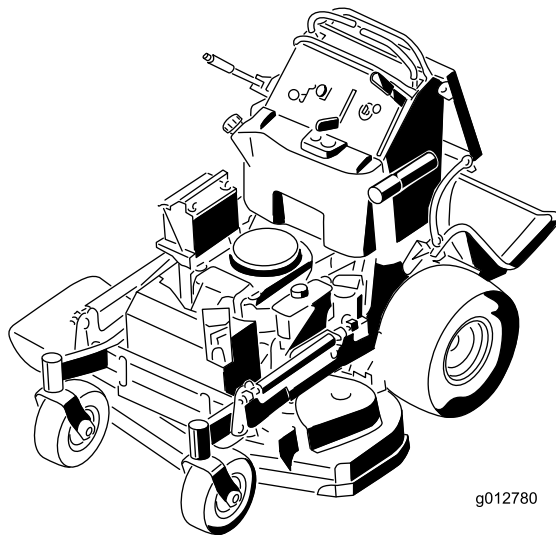
**Operator's Manual**

**GrandStand® Mower**

**With 91cm or 102cm TURBO FORCE®  
Cutting Unit**

**Model No. 74534TE—Serial No. 31200001 and Up**

**Model No. 74536TE—Serial No. 31200001 and Up**



g012780



This product complies with all relevant European directives, for details please see the separate product specific Declaration of Conformity (DOC) sheet.

This spark ignition system complies with Canadian ICES-002.

## Introduction

This rotary-blade, riding lawn mower is intended to be used by professional, hired operators or residential homeowners. It is designed primarily for cutting grass on well-maintained lawns on residential or commercial properties. It is not designed for cutting brush or for agricultural uses.

Read this information carefully to learn how to operate and maintain your product properly and to avoid injury and product damage. You are responsible for operating the product properly and safely.

You may contact Toro directly at [www.Toro.com](http://www.Toro.com) for product and accessory information, help finding a dealer, or to register your product.

Whenever you need service, genuine Toro parts, or additional information, contact an Authorized Service Dealer or Toro Customer Service and have the model and serial numbers of your product ready. Figure 1 identifies the location of the model and serial numbers on the product. Write the numbers in the space provided.

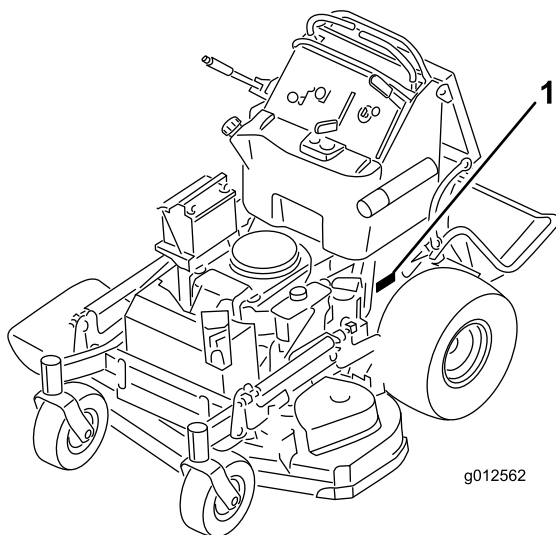


Figure 1

1. Location of the model and serial numbers

Model No. \_\_\_\_\_

Serial No. \_\_\_\_\_

This manual identifies potential hazards and has safety messages identified by the safety alert symbol (Figure 2), which signals a hazard that may cause serious injury or death if you do not follow the recommended precautions.



Figure 2

1. Safety alert symbol

This manual identifies potential hazards and has safety messages identified by the following words:

- **Danger** signals an extreme hazard that **will** cause serious injury or death if you do not follow the recommended precautions.
- **Warning** signals a hazard that **may** cause serious injury or death if you do not follow the recommended precautions.
- **Caution** signals a hazard that may cause minor or moderate injury if you do not follow the recommended precautions.

This manual uses two other words to highlight information. **Important** calls attention to special mechanical information and **Note** emphasizes general information worthy of special attention.

# Contents

Introduction.....	2	Servicing the Engine Oil.....	35
Safety.....	4	Servicing the Spark Plug.....	37
General Lawn Mower Safety.....	4	Fuel System Maintenance.....	39
Toro Mower Safety.....	5	Draining the Fuel Tank.....	39
Sound Pressure.....	6	Servicing the Fuel Filter.....	39
Sound Power.....	6	Electrical System Maintenance.....	40
Vibration Level for Model 74534TE.....	6	Servicing the Battery.....	40
Vibration Level for Model 74536TE.....	6	Servicing the Fuses.....	41
Slope Indicator.....	8	Drive System Maintenance.....	42
Safety and Instructional Decals.....	9	Adjusting the Tracking.....	42
Product Overview.....	14	Checking the Tire Pressure.....	43
Controls.....	14	Adjusting the Caster Pivot Bearing.....	43
Specifications.....	15	Adjusting the Electric Clutch.....	44
Operation.....	16	Cooling System Maintenance.....	45
Adding Fuel.....	16	Cleaning the Air Intake Screen.....	45
Checking the Engine Oil Level.....	17	Cleaning the Cooling System.....	45
Breaking In a New Machine.....	17	Brake Maintenance.....	46
Think Safety First.....	17	Servicing the Brake.....	46
Operating the Parking Brake.....	17	Belt Maintenance.....	47
Operating the Mower Blade Control Switch (PTO).....	18	Checking the Belts.....	47
Operating the Throttle.....	18	Replacing the Mower Deck Belt for 91 cm Mowers.....	47
Operating the Choke.....	18	Replacing the Mower Deck Belts for 102 cm Mowers.....	47
Operating the Ignition Switch.....	19	Replacing the Right Mower Deck Belt.....	47
Using the Speed Control Lever.....	19	Replacing the Left Mower Deck Belt.....	48
Using the Fuel Shut-Off Valve.....	19	Replacing the Pump Drive Belt.....	48
Starting and Stopping the Engine.....	20	Controls System Maintenance.....	49
The Safety Interlock System.....	21	Adjusting the Motion Control Handle Positions.....	49
Operating the Platform.....	22	Hydraulic System Maintenance.....	52
Driving Forward or Backward.....	23	Servicing the Hydraulic System.....	52
Stopping the Machine.....	24	Mower Deck Maintenance.....	55
Pushing the Machine by Hand.....	24	Servicing the Cutting Blades.....	55
Transporting Machines.....	25	Leveling the Mower.....	56
Loading Machines.....	25	Replacing the Grass Deflector.....	60
Side Discharging or Mulching the Grass.....	26	Cleaning.....	61
Adjusting the Height-of-Cut.....	26	Cleaning Under the Mower.....	61
Adjusting the Flow Baffle.....	27	Waste Disposal.....	61
Positioning the Flow Baffle.....	27	Storage.....	61
Using Counterweights.....	28	Cleaning and Storage.....	61
Maintenance.....	29	Troubleshooting.....	63
Recommended Maintenance Schedule(s).....	29	Schematics.....	65
Pre-maintenance Procedures.....	30		
Raising the Mower for Access.....	30		
Release the Cushion for Rear Access.....	31		
Lubrication.....	32		
How to Grease.....	32		
Lubricating the Machine.....	32		
Greasing the Front Caster Pivots.....	33		
Lubricate the Caster Wheel Hubs.....	33		
Engine Maintenance.....	34		
Servicing the Air Cleaner.....	34		

# Safety

**Improperly using or maintaining this mower can result in injury. To reduce the potential for injury, comply with these safety instructions.**

Toro designed and tested this mower for reasonably safe service; however, failure to comply with the following instructions may result in personal injury.

**To ensure maximum safety, best performance, and to gain knowledge of the product, it is essential that you and any other operator of the mower read and understand the contents of this manual before the engine is ever started. Pay particular attention to the safety alert symbol (Figure 2) which means Caution, Warning, or Danger—“personal safety instruction.” Read and understand the instruction because it has to do with safety. Failure to comply with the instruction may result in personal injury.**

## General Lawn Mower Safety

The following instructions have been adapted from the standard EN836:1997.

This cutting machine is capable of amputating hands and feet and throwing objects. Failure to observe the following safety instructions could result in serious injury or death.

### Training

- Read the instructions carefully. Be familiar with the controls and the proper use of the equipment.
- Never allow children or people unfamiliar with these instructions to use the mower. Local regulations can restrict the age of the operator.
- Keep in mind that the operator or user is responsible for accidents or hazards occurring to other people or their property.
- Understand explanations for all pictograms used on the mower or in the instructions.
- Do not carry passengers.
- All operators should seek and obtain professional and practical instruction.
- Use care and concentration when working with machines.
- The control of a machine on a slope will not be regained by the application of the brake.

The main reasons for loss of control are:

- insufficient wheel grip
- being driven too fast

- inadequate braking
- the type of machine is unsuitable for its task
- lack of awareness of the effect of ground conditions, especially slopes
- incorrect load distribution

### Gasoline

**WARNING**-Gasoline is highly flammable. Take the following precautions.

- Store fuel in containers specifically designed for this purpose.
- Refuel outdoors only and do not smoke while refueling.
- Add fuel before starting the engine. Never remove the cap of the fuel tank or add gasoline while the engine is running or when the engine is hot.
- If gasoline is spilled, do not attempt to start the engine but move the mower away from the area of spillage and avoid creating any source of ignition until gasoline vapors have dissipated.
- Replace all fuel tank and container caps securely.

### Preparation

- While mowing, always wear substantial footwear and long trousers. Do not operate the equipment when barefoot or wearing open sandals.
- Thoroughly inspect the area where the equipment is to be used and remove all stones, sticks, wires, bones and other foreign objects.
- Before using, always visually inspect to see that guards, and safety devices, such as deflectors and/or grass catchers, are in place and working correctly.
- Before using, always visually inspect to see that the blades, blade bolts and cutter assembly are not worn or damaged. Replace worn or damaged blades and bolts in sets to preserve balance.

### Starting

- Disengage all blade and drive clutches and shift into neutral before starting the engine.
- Start the engine or switch on the motor carefully according to instructions and with feet well away from the blade(s) and not in front of the discharge chute.

### Operation

- Lightning can cause severe injury or death. If lightning is seen or thunder is heard in the area, do not operate the machine; seek shelter.

- Never mow while people, especially children, or pets are nearby.
- Mow only in daylight or in good artificial light.
- Avoid operating the lawn mower in wet grass, where feasible.
- Stay alert for holes in the terrain and other hidden hazards.
- Never direct discharge of material towards bystanders.
- Do not put hands or feet near or under rotating parts. Keep clear of the discharge opening at all times.
- Use extreme caution when reversing or pulling a pedestrian controlled lawn mower towards you.
- Walk, never run.
- Slopes:
  - Do not mow excessively steep slopes. Do not mow slopes greater than 15 degrees.
  - Exercise extreme caution when on slopes.
  - Mow across the face of slopes, never up and down and exercise extreme caution when changing direction on slopes.
  - Always be sure of your footing on slopes.
- Use low throttle settings when engaging the traction-clutch, especially in high gears. Reduce speed on slopes and in sharp turns to prevent overturning or loss of control.
- Stop the blade when crossing surfaces other than grass and when transporting the lawn mower to and from the area to be mowed.
- Do not operate the engine in a confined space where dangerous carbon monoxide fumes can collect.
- Stop the engine
  - whenever you leave the lawn mower.
  - before refueling.
  - before removing the grass catcher.
- Stop the engine and disconnect the spark-plug wire or turn off and remove the key.
  - before clearing blockages or unclogging chute.
  - before checking, cleaning or working on the lawn mower.
  - after striking a foreign object, inspect the lawn mower for damage and make repairs before restarting and operating the lawn mower.
  - if lawn mower starts to vibrate abnormally (check immediately).
- Watch out for traffic when crossing or near roadways.
- Before leaving the operator's position
  - disengage the power take-off and lower the attachments.
  - change into neutral and set the parking brake.
  - stop the engine and remove the key.

## Maintenance and Storage

- Keep all nuts, bolts and screws tight to be sure the equipment is in safe working condition.
- Do not use pressure cleaning equipment on machine.
- Never store the equipment with gasoline in the tank and inside a building where fumes can reach an open flame or spark.
- Allow the engine to cool before storing in any enclosure.
- To reduce the fire hazard, keep the engine, silencer, battery compartment and gasoline storage free of grass, leaves, or excessive grease.
- Check grass catcher components and the discharge guard frequently and replace with manufacturer's recommended parts, when necessary.
- Replace worn or damaged parts for safety.
- Replace faulty silencers.
- If the fuel tank has to be drained, do this outdoors.
- Do not change the engine governor settings or overspeed the engine. Operating an engine at excessive speed can increase the hazard of personal injury.
- On multibladed lawn mowers, take care as rotating one blade may cause others to rotate.
- Be careful during adjustment of the lawn mower to prevent entrapment of the fingers between moving blades and fixed parts of the lawn mower.
- **To ensure the best performance and safety, purchase only genuine Toro replacement parts and accessories. Do not use *will fit* parts and accessories; they may cause a safety hazard.**

## Toro Mower Safety

The following list contains safety information specific to Toro products and other safety information you must know.

This product is capable of amputating hands and feet and throwing objects. Always follow all safety instructions to avoid serious injury or death.

This product is designed for cutting and recycling grass or, when equipped with a grass bagger, for catching cut grass. Any use for purposes other than these could prove dangerous to user and bystanders.

## General Operation

- Be sure the area is clear of other people before mowing. Stop the machine if anyone enters the area.
- Do not touch equipment or attachment parts which may be hot from operation. Allow to cool before attempting to maintain, adjust or service.
- Use only Toro approved attachments. Warranty may be voided if used with unapproved attachments.
- Check carefully for overhead clearances (i.e. branches, doorways, electrical wires) before operating under any objects and do not contact them.
- Slow down before making turns and use extra caution.
- Use caution when riding the platform over curbs, rocks, roots, or other obstructions.
- Look behind and down before backing up to be sure of a clear path. Use extra care when operation in reverse.
- Never jerk the controls; use a steady motion.
- Do not carry passengers.

## Slope Operation

All slopes and ramps require extra caution. If you feel uneasy on a slope, do not mow it.

- Remove obstacles such as rocks, tree limbs, etc. from the mowing area.
- Watch for holes, ruts or bumps. Tall grass can hide obstacles.
- Use caution near drop-offs, ditches, or embankments. The machine could suddenly turn over if a wheel goes over the edge of a cliff or ditch, or if an edge caves in.
- Use extra care with grass catchers or other attachments. These can change the stability of the machine.
- Keep all movement on slopes slow and gradual. Do not make sudden changes in speed or direction.
- Mow slopes side to side.

## Service

- Never store the machine or fuel container inside where there is an open flame, such as near a water heater or furnace.
- Keep nuts and bolts tight, especially the blade attachment bolts. Keep equipment in good condition.
- Never tamper with safety devices. Check safety systems for proper operation before each use.

- Use only genuine replacement parts to ensure that original standards are maintained.
- Check brake operation frequently. Adjust and service as required.

## Sound Pressure

Model 74534TE has a sound pressure level at the operator's ear of 88 dBA, which includes an Uncertainty Value (K) of 1 dBA.

Model 74536TE has a sound pressure level at the operator's ear of 86 dBA, which includes an Uncertainty Value (K) of 1 dBA.

The sound pressure level was determined according to the procedures outlined in EN 836.

## Sound Power

Model 74534TE has a guaranteed sound power level of 100 dBA, which includes an Uncertainty Value (K) of 1 dBA.

Model 74536TE has a guaranteed sound power level of 100 dBA, which includes an Uncertainty Value (K) of 1 dBA.

The sound power level was determined according to the procedures outlined in ISO 11094.

## Vibration Level for Model 74534TE

### Hand-Arm

Measured vibration level for right hand = 0.8 m/s<sup>2</sup>

Measured vibration level for left hand = 0.6 m/s<sup>2</sup>

Uncertainty Value (K) = 0.4 m/s<sup>2</sup>

Measured values were determined according to the procedures outlined in EN 836.

### Whole Body

Measured vibration level = 0.79 m/s<sup>2</sup>

Uncertainty Value (K) = 0.39 m/s<sup>2</sup>

Measured values were determined according to the procedures outlined in EN 836.

## Vibration Level for Model 74536TE

### Hand-Arm

Measured vibration level for right hand = 1.1 m/s<sup>2</sup>

Measured vibration level for left hand = 1.1 m/s<sup>2</sup>

Uncertainty Value (K) = 0.6 m/s<sup>2</sup>

Measured values were determined according to the procedures outlined in EN 836.

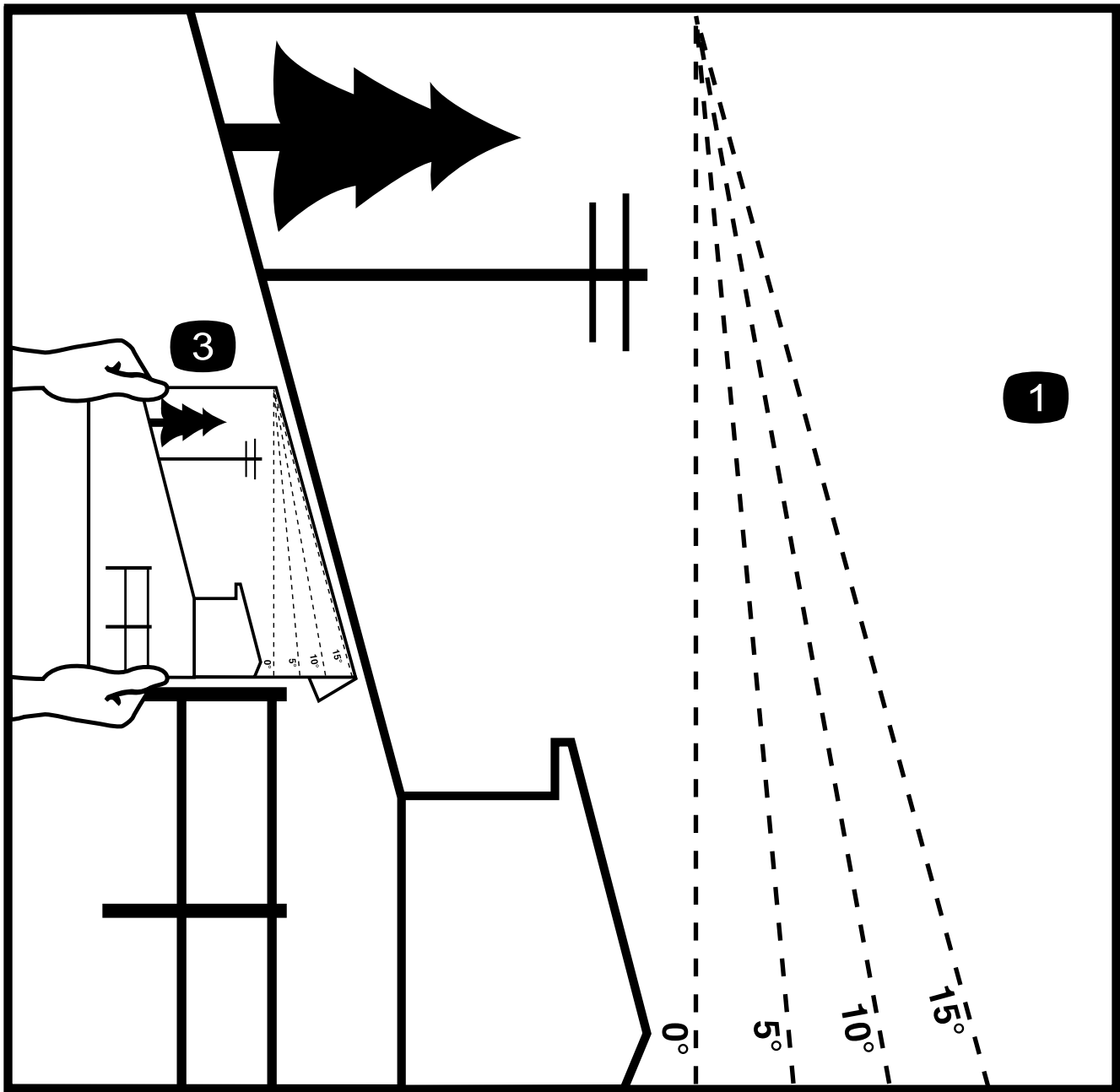
### **Whole Body**

Measured vibration level = 0.79 m/s<sup>2</sup>

Uncertainty Value (K) = 0.39 m/s<sup>2</sup>

Measured values were determined according to the procedures outlined in EN 836.

# Slope Indicator



G015791

2

Figure 3

This page may be copied for personal use.

1. The maximum slope you can safely operate the machine on is **15 degrees**. Use the slope chart to determine the degree of slope of hills before operating. **Do not operate this machine on a slope greater than 15 degrees**. Fold along the appropriate line to match the recommended slope.
2. Align this edge with a vertical surface, a tree, building, fence pole, etc.
3. Example of how to compare slope with folded edge.



# Safety and Instructional Decals

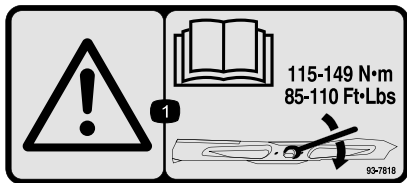


Safety decals and instructions are easily visible to the operator and are located near any area of potential danger. Replace any decal that is damaged or lost.



93-7010

1. Thrown object hazard—keep bystanders a safe distance from the machine.
2. Thrown object hazard, mower—keep the deflector in place.
3. Cutting/dismemberment of hand or foot—stay away from moving parts.



93-7818

1. Warning—read the *Operator's Manual* for instructions on torquing the blade bolt/nut to 115-149 N-m (85-110 ft-lb).



Battery Symbols

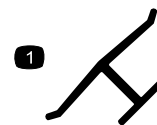
Some or all of these symbols are on your battery

- |  |  |
|--|--|
| 1. Explosion hazard                    | 6. Keep bystanders a safe distance from the battery.                           |
| 2. No fire, open flame, or smoking.    | 7. Wear eye protection; explosive gases can cause blindness and other injuries |
| 3. Caustic liquid/chemical burn hazard | 8. Battery acid can cause blindness or severe burns.                           |
| 4. Wear eye protection                 | 9. Flush eyes immediately with water and get medical help fast.                |
| 5. Read the <i>Operator's Manual</i> . | 10. Contains lead; do not discard.   |



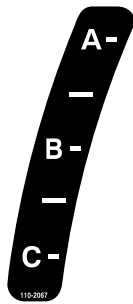
106-5517

1. Warning—do not touch the hot surface.

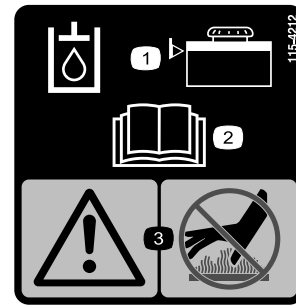


Manufacturer's Mark

1. Indicates the blade is identified as a part from the original machine manufacturer.

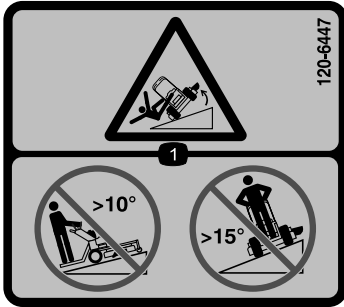


110-2067



115-4212

1. Hydraulic oil level
2. Read the *Operator's Manual*.
3. Warning—do not touch the hot surface.

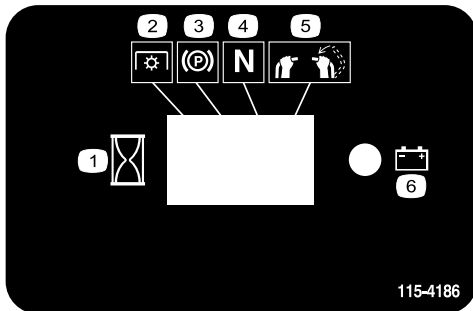


120-6447

1. Tipping hazard—do not mow up and down slopes greater than 10 degrees, do not mow across slopes greater than 15 degrees.



116-3290

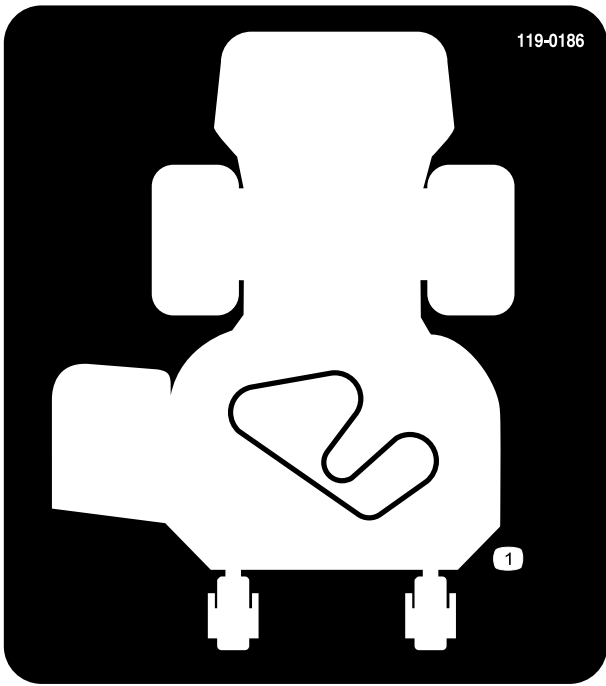


115-4186

1. Interval
2. Power Take-off (PTO)
3. Parking brake
4. Neutral
5. Operator presence switch
6. Battery



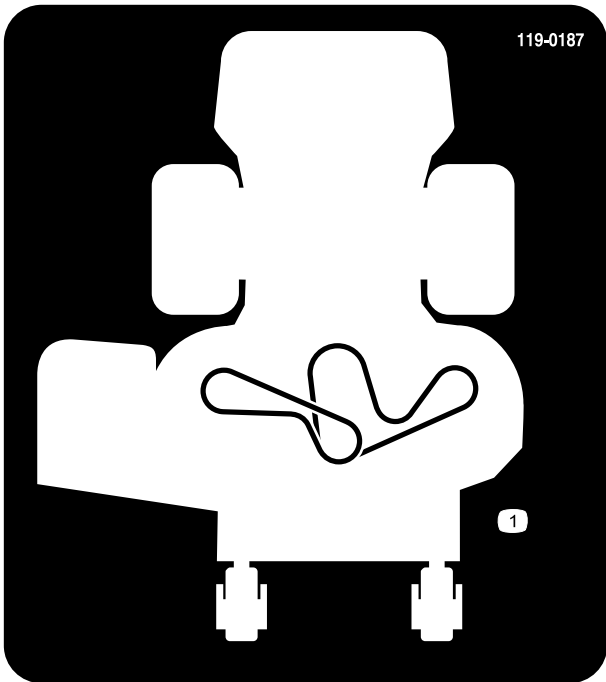
116-3267



**119-0186**

91 cm Mower Deck

1. Belt routing



**119-0187**

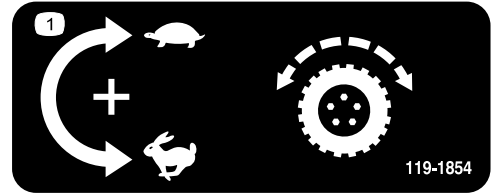
102 cm Mower Deck

1. Belt routing



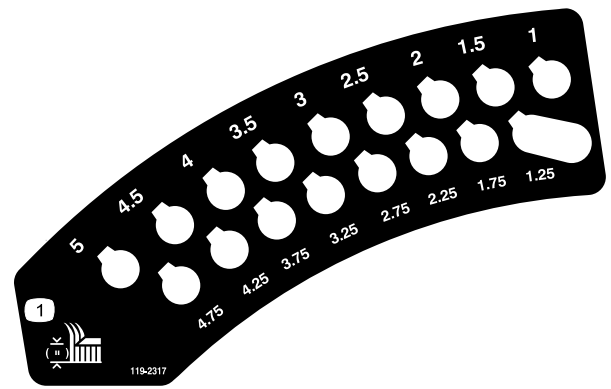
**119-0217**

1. Warning—stop the engine; stay away from moving parts; keep all guards and shields in place.



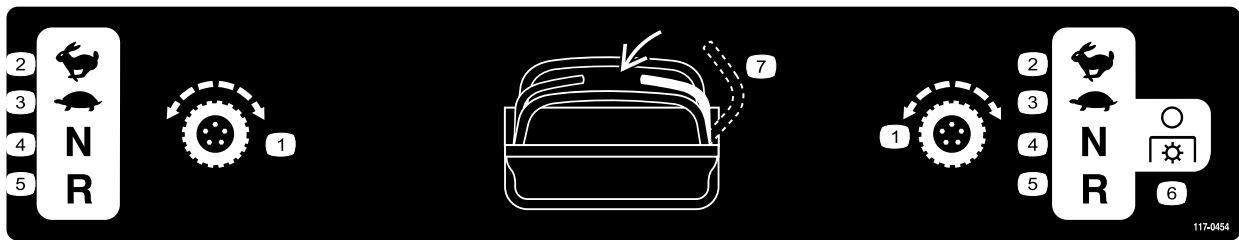
**119-1854**

1. Adjustment knob for traction drive speed.



**119-2317**

1. Height-of-cut (inches)



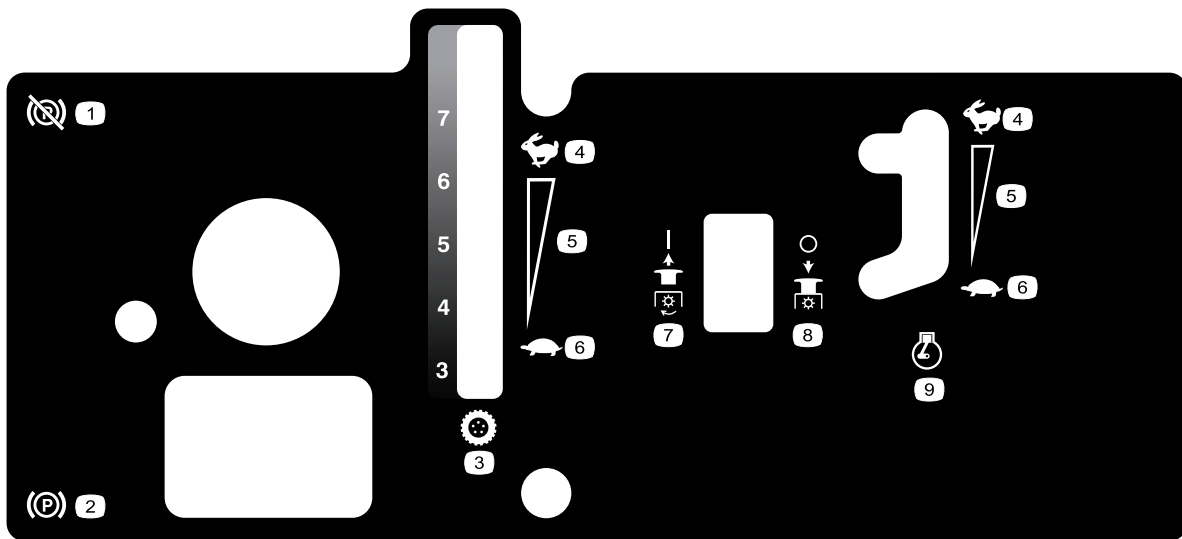
117-0454

- |                     |            |                                   |                             |
|---------------------|------------|-----------------------------------|-----------------------------|
| 1. Traction control | 3. Slow    | 5. Reverse                        | 7. Operator presence switch |
| 2. Fast             | 4. Neutral | 6. Power Take-off (PTO)—disengage |                             |



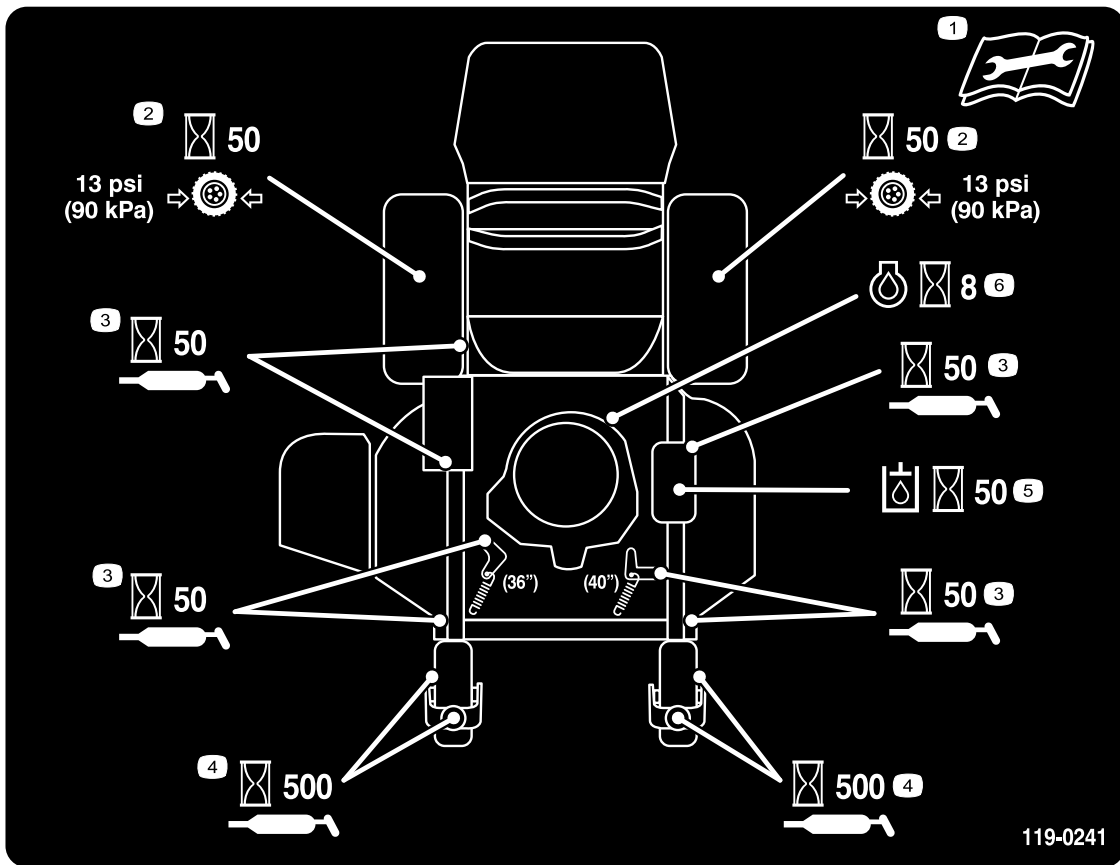
117-3626

- |  |   |
|--|---|
| 1. Warning—read the <i>Operator's Manual</i> .   | 5. Thrown object hazard—keep bystanders a safe distance from the machine.   |
| 2. Warning—do not operate this machine unless you are trained.   | 6. Warning—engage the parking brake, stop the engine and remove the spark plug wire before performing any maintenance on the machine. |
| 3. Thrown object hazard—keep deflector in place.   | 7. Warning—engage the parking brake and stop the engine before leaving the machine.   |
| 4. Cutting, dismemberment hazard of hand or foot—stay away from moving parts and keep all guards and shields in place. | 8. Sliding and loss of control hazard—do not operate the machine near drop-offs or water; keep a safe distance from drop-offs.        |



119-0234

- |                             |                                |                   |
|-----------------------------|--------------------------------|-------------------|
| 1. Parking brake—disengaged | 4. Fast                        | 7. PTO—engaged    |
| 2. Parking brake—engaged    | 5. Continuous variable setting | 8. PTO—disengaged |
| 3. Drive speed              | 6. Slow                        | 9. Engine speed   |



119-0241

1. Read the *Operator's Manual* before performing any maintenance.
2. Check the drive wheel tire pressure every 50 hours
3. Lubricate every 50 hours
4. Lubricate the caster wheel every 500 hours
5. Check the hydraulic oil every 50 hours
6. Check the engine oil every 8 hours

# Product Overview

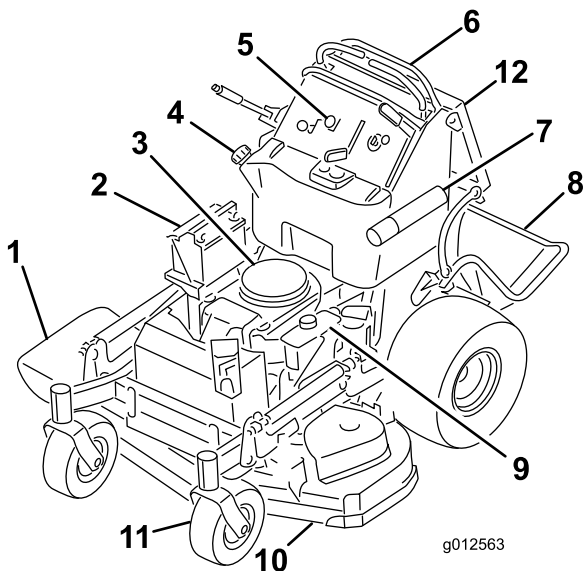


Figure 4

- |                          |                             |
|--------------------------|-----------------------------|
| 1. Side discharge chute  | 7. Manual tube              |
| 2. Battery               | 8. Platform (down position) |
| 3. Engine                | 9. Hydraulic tank           |
| 4. Fuel tank             | 10. Mower deck              |
| 5. Controls              | 11. Front caster wheel      |
| 6. Motion control levers | 12. Operator cushion        |

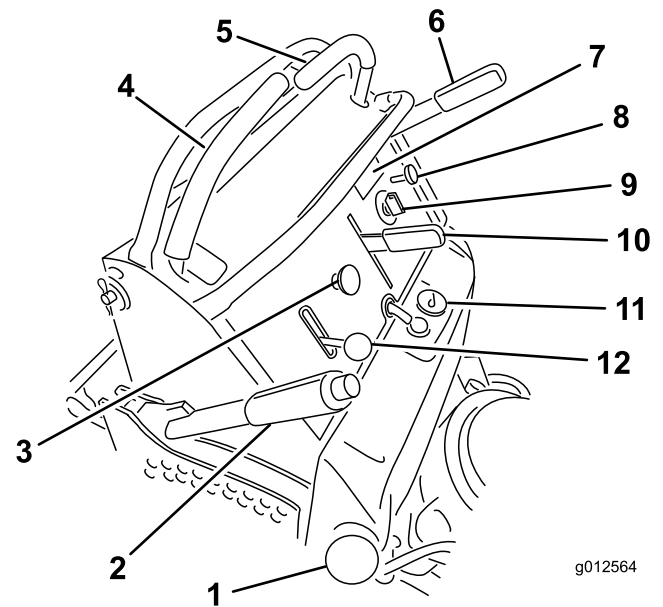


Figure 5

- |                               |                         |
|-------------------------------|-------------------------|
| 1. Fuel cap                   | 7. Hour meter           |
| 2. Height-of-cut lever        | 8. Choke                |
| 3. Blade control switch (PTO) | 9. Ignition switch      |
| 4. Right motion control lever | 10. Speed control lever |
| 5. Left motion control lever  | 11. Fuel gauge          |
| 6. Parking brake lever        | 12. Throttle control    |

## Controls

Become familiar with all the controls (Figure 5) before you start the engine and operate the machine.

## Hour Meter

The hour meter records the number of hours the engine has operated. It operates when the engine is running. Use these times for scheduling regular maintenance (Figure 6).

## Fuel Gauge

The fuel gauge is located on the top, middle of the tank (Figure 5).

## Safety Interlock Indicators

There are symbols on the hour meter and indicate with a black triangle that the interlock component is in the correct position (Figure 6).

## Battery Indicator Light

If the ignition key is turned to the **On** position for a few seconds, the battery voltage will be displayed in the area where the hours are normally displayed.

The battery light turns on when the ignition is turned on and when the charge is below the correct operating level (Figure 6).

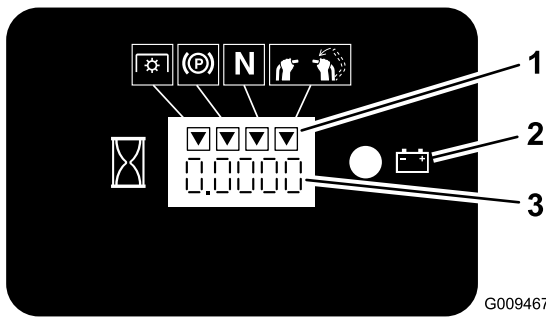


Figure 6

1. Safety interlock symbols
2. Battery light
3. Hour meter

## Speed Control Lever

This machine has a variable speed control. This controls how fast or slow the machine will travel with the motion control levers pushed all the way forward.

**Note:** The numbers next to the speed control are an approximate maximum miles per hour (mph) the machine will travel.

## Throttle Control

The throttle control is variable between **Fast** and **Slow**.

## Choke

Use the choke to start a cold engine.

## Blade Control Switch (PTO)

The blade control switch (PTO) is used to engage the electric clutch to drive the mower blades with the right side motion control lever in the center, un-locked position. Pull the switch up to engage the blades and release. To disengage the blades, push the blade control switch (PTO) down or move or release the right side motion control lever into the neutral lock position.

## Ignition Switch

This switch is used to start the mower engine and has three positions: **Off**, **Run** and **Start**.

## Motion Control Levers

The motion control levers are used to drive the machine forward, reverse, and turn either direction.

## Fuel Shut-off Valve

Close the fuel shut-off valve (located behind the operator cushion on the right hand side of fuel tank) when transporting or storing the mower.

## Attachments/Accessories

A selection of Toro approved attachments and accessories are available for use with the machine to enhance and expand its capabilities. Contact your Authorized Service Dealer or Distributor or go to [www.Toro.com](http://www.Toro.com) for a list of all approved attachments and accessories.

## Specifications

**Note:** Specifications and design are subject to change without notice.

### Model 74534TE

Width with deflector down	51.62 inches (131.1 cm)
Length with platform down	74 inches (188 cm)
Length with platform up	61 inches (155 cm)
Height	48 inches (121.9 cm)
Weight	756 (343 kg)

### Model 74536TE

Width with deflector down	55.75 inches (141.6 cm)
Length with platform down	70 inches (177.8 cm)
Length with platform up	57 inches (144.8 cm)
Height	48 inches (121.9 cm)
Weight	773 (350.6 kg)

# Operation

## Adding Fuel

- For best results, use only clean, fresh, unleaded gasoline with an octane rating of 87 or higher ((R+M)/2 rating method).
- Oxygenated fuel with up to 10% ethanol or 15% MTBE by volume is acceptable.
- **Do Not** use ethanol blends of gasoline (such as E15 or E85) with more than 10% ethanol by volume. Performance problems and/or engine damage may result which may not be covered under warranty.
- **Do Not** use gasoline containing methanol.
- **Do Not** store fuel either in the fuel tank or fuel containers over the winter unless a fuel stabilizer is used.
- **Do Not** add oil to gasoline.

### **⚠ DANGER**

In certain conditions, gasoline is extremely flammable and highly explosive. A fire or explosion from gasoline can burn you and others and can damage property.

- Fill the fuel tank outdoors on level ground, in an open area, when the engine is cold. Wipe up any gasoline that spills.
- Never fill the fuel tank inside an enclosed trailer.
- Do not fill the fuel tank completely full. Fill the fuel tank to the bottom of the filler neck. The empty space in the tank allows gasoline to expand. Overfilling may result in fuel leakage or damage to the engine or emission system (if equipped).
- Never smoke when handling gasoline, and stay away from an open flame or where gasoline fumes may be ignited by a spark.
- Store gasoline in an approved container and keep it out of the reach of children. Never buy more than a 30-day supply of gasoline.
- Do not operate without entire exhaust system in place and in proper working condition.

### **⚠ DANGER**

In certain conditions during fueling, static electricity can be released causing a spark which can ignite the gasoline vapors. A fire or explosion from gasoline can burn you and others and can damage property.

- Always place gasoline containers on the ground away from your vehicle before filling.
- Do not fill gasoline containers inside a vehicle or on a truck or trailer bed because interior carpets or plastic truck bed liners may insulate the container and slow the loss of any static charge.
- When practical, remove gas-powered equipment from the truck or trailer and refuel the equipment with its wheels on the ground.
- If this is not possible, then refuel such equipment on a truck or trailer from a portable container, rather than from a gasoline dispenser nozzle.
- If a gasoline dispenser nozzle must be used, keep the nozzle in contact with the rim of the fuel tank or container opening at all times until fueling is complete.

### **⚠ WARNING**

Gasoline is harmful or fatal if swallowed. Long-term exposure to vapors can cause serious injury and illness.

- Avoid prolonged breathing of vapors.
- Keep face away from nozzle and gas tank or conditioner opening.
- Keep gas away from eyes and skin.

## Using Stabilizer/Conditioner

Use a fuel stabilizer/conditioner in the machine to provide the following benefits:

- Keeps gasoline fresh during storage of 90 days or less. For longer storage it is recommended that the fuel tank be drained.
- Cleans the engine while it runs
- Eliminates gum-like varnish buildup in the fuel system, which causes hard starting

**Important:** Do not use fuel additives containing methanol or ethanol.

Add the correct amount of gas stabilizer/conditioner to the gas.



**Note:** A fuel stabilizer/conditioner is most effective when mixed with fresh gasoline. To minimize the chance of varnish deposits in the fuel system, use fuel stabilizer at all times.

## Filling the Fuel Tank

**Note:** Do not fill the fuel tank completely full. Fill the fuel tank to the bottom of the filler neck. The empty space in the tank allows the gasoline to expand.

1. Park the machine on level ground.
2. Shut the engine off and set the parking brake.
3. Clean around the fuel tank cap.
4. Fill the fuel tank to the bottom of the filler neck. Ensure there is empty space in the tank to allow the gasoline to expand (Figure 7).

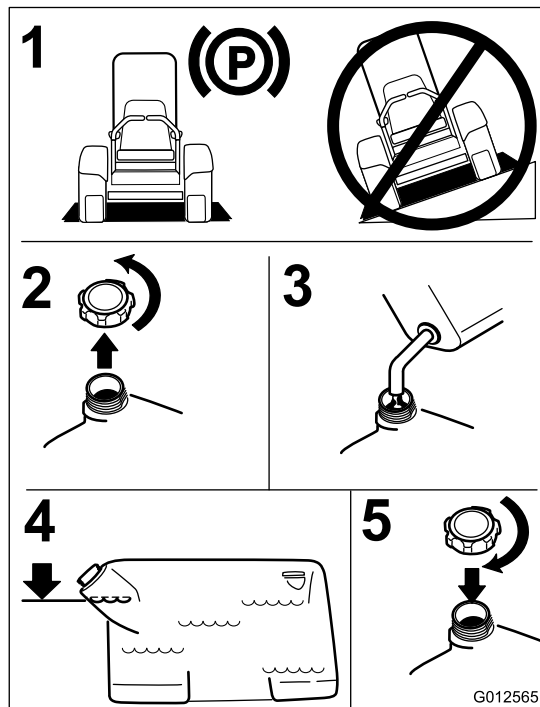
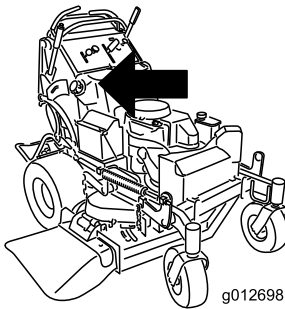


Figure 7

## Checking the Engine Oil Level

Before you start the engine and use the machine, check the oil level in the engine crankcase; refer to Checking Oil Level in Engine Maintenance.

**Note:** Determine the left and right sides of the machine from the normal operating position.

## Breaking In a New Machine

New engines take time to develop full power. Mower decks and drive systems have higher friction when new, placing additional load on the engine. Allow 40 to 50 hours of break-in time for new machines to develop full power and best performance.

## Think Safety First

Carefully read all the safety instructions and decals in the safety section. Knowing this information could help you or any bystanders avoid injury.

The use of protective equipment for eyes, hearing, feet and head is recommended.

### ⚠ CAUTION

This machine produces sound levels in excess of 85 dBA at the operator's ear and can cause hearing loss through extended periods of exposure.

Wear hearing protection when operating this machine.

## Operating the Parking Brake

Always set the parking brake when you stop the machine or leave it unattended. Before each use, check the parking brake for proper operation.

If the parking brake does not hold securely, adjust it. Refer to Servicing the Parking Brake.

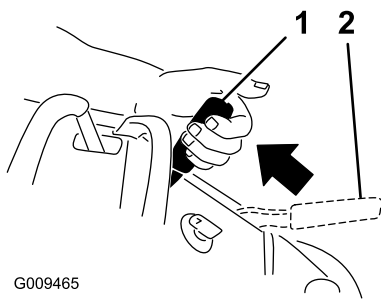
### ⚠ CAUTION

Children or bystanders may be injured if they move or attempt to operate the machine while it is unattended.

Always remove the ignition key and set the parking brake when leaving the machine unattended, even if just for a few minutes.

## Setting the Parking Brake

Pull the parking brake lever rearward to the engaged position (Figure 8).



**Figure 8**

1. Parking brake engaged
2. Parking brake released

## Releasing the Parking Brake

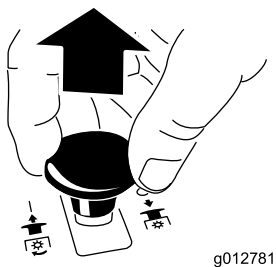
Push the parking brake lever forward.

## Operating the Mower Blade Control Switch (PTO)

The blade control switch (PTO) is used in conjunction with the right side motion control lever to engage and disengage the mower blades.

### Engaging the Mower Blades (PTO)

1. To engage the mower blades, move the right side motion control lever to the center, un-locked position.
2. Pull the blade control switch (PTO) up and release it while holding down the right side motion control lever in the center, un-locked position.

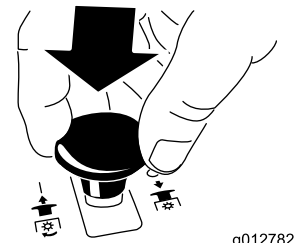


**Figure 9**

### Disengaging the Mower Blades (PTO)

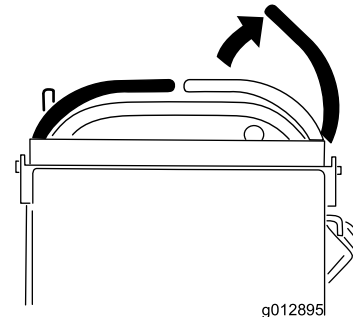
The following are two options for disengaging the mower blades.

- Push the blade control switch (PTO) down to the off position.



**Figure 10**

- Move the motion control levers to neutral and move the right side motion control lever into the neutral lock position.

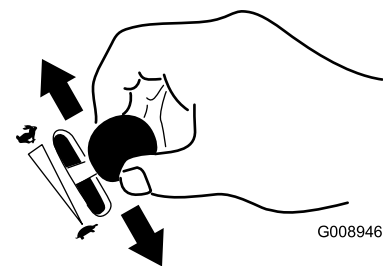


**Figure 11**

## Operating the Throttle

The throttle control can be moved between **Fast** and **Slow** positions (Figure 12).

Always use the fast position when turning on the mower deck with the blade control switch (PTO).



**Figure 12**

## Operating the Choke

Use the choke to start a cold engine.

1. If the engine is cold, use the choke to start the engine.
2. Pull up on the choke knob to engage the choke before using the ignition switch (Figure 13).
3. Push down on the choke to disengage the choke after the engine has started (Figure 13).

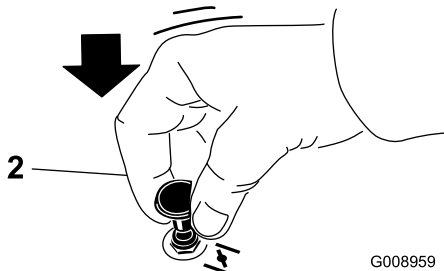
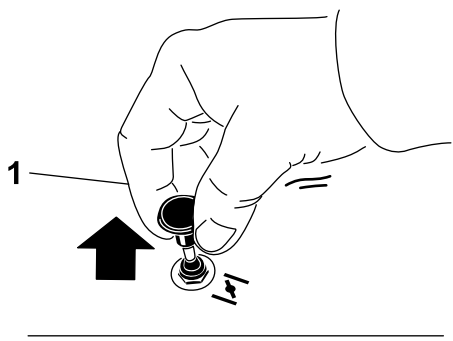


Figure 13

G008959

1. On

2. Off

## Operating the Ignition Switch

1. Turn the ignition key to the Start position (Figure 14). When the engine starts, release the key.

**Important:** Do not engage starter for more than 5 seconds at a time. If the engine fails to start allow a 15 second cool-down period between attempts. Failure to follow these instructions can burn out the starter motor.

**Note:** Additional starting cycles may be required when starting the engine for the first time after the fuel system has been without fuel completely.

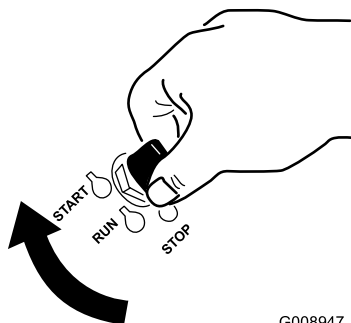


Figure 14

G008947

2. Turn the ignition key to the **stop** position to stop the engine.

## Using the Speed Control Lever

This machine has a speed control lever that sets the maximum ground speed of the machine. This can be adjusted to the operator's desired speed. It is recommended to use the slowest speed for new operator's.

**Note:** The numbers next to the speed control are an approximate miles per hour (mph) the machine will travel.

1. Move the speed control lever to set the desired speed.
  - Full forward has quick response and maximum speed.
  - Full rearward has smooth response and slower speed.
2. Move the control levers to drive the machine. The control levers may be pushed forward to the front reference bar while the maximum speed of the machine is set by the speed control lever.

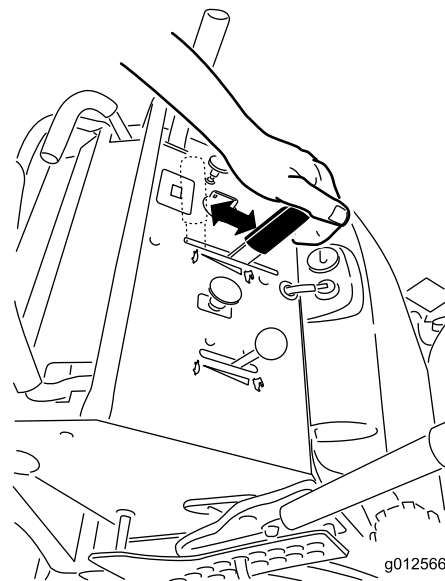


Figure 15

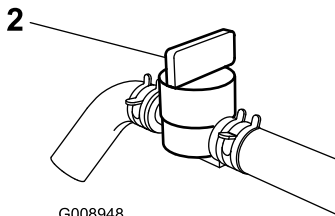
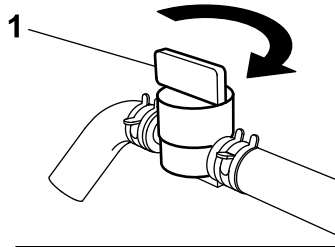
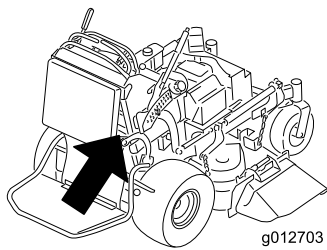
g012566

## Using the Fuel Shut-Off Valve

The fuel shut-off valve is located behind the right side of the operator cushion.

Close the fuel shut-off valve for transport, maintenance, and storage (Figure 16).

Ensure the fuel shut-off valve is open when starting the engine.



**Figure 16**

1. On

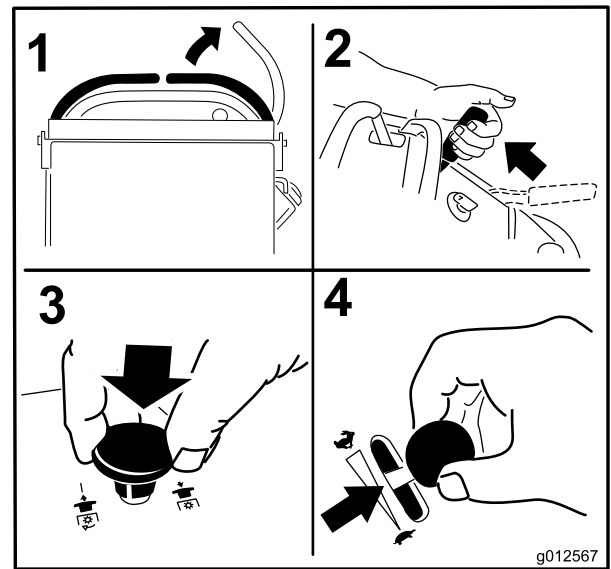
2. Off

## Starting and Stopping the Engine

### Starting the Engine

1. Connect the wires to the spark plugs.
2. Open the fuel valve.
3. Move the right motion control lever to neutral locked position.
4. Set the parking brake; refer to Setting the Parking Brake.
5. Move the blade control switch (PTO) to the **Off** position.
6. Move the throttle lever midway between the **Slow** and **Fast** positions.

**Note:** A warm or hot engine may not require choking.

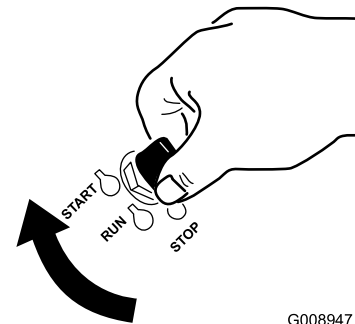


**Figure 17**

7. Turn the ignition key to the Start position (Figure 14). When the engine starts, release the key.

**Important:** Do not engage starter for more than 5 seconds at a time. If the engine fails to start allow a 15 second cool-down period between attempts. Failure to follow these instructions can burn out the starter motor.

**Note:** Additional starting cycles may be required when starting the engine for the first time after the fuel system has been without fuel completely.



**Figure 18**

1. Off
2. Run

3. Start

## Stopping the Engine

### ⚠ CAUTION

Children or bystanders may be injured if they move or attempt to operate the tractor while it is unattended.

Always remove the ignition key and set the parking brake when leaving the machine unattended, even if just for a few minutes.

Let the engine idle at slow throttle (turtle) for 60 seconds before turning the ignition switch off.

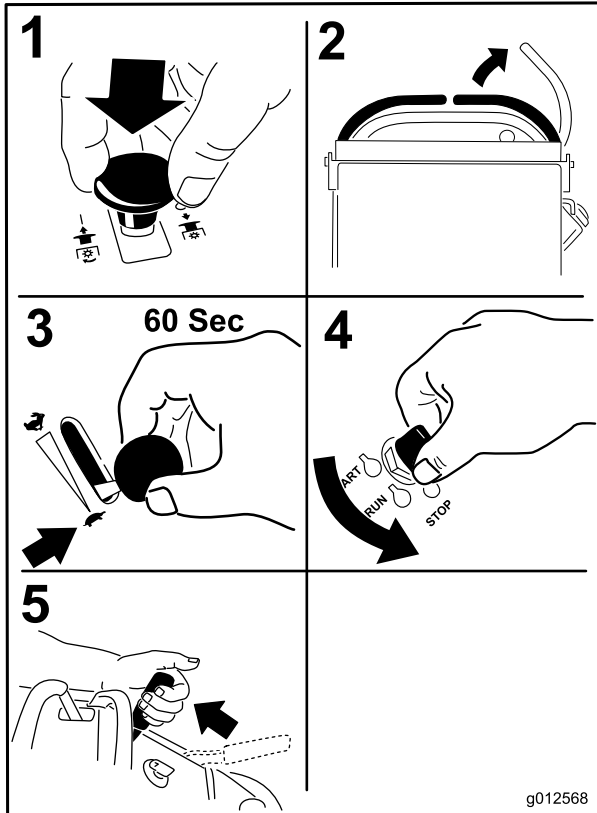


Figure 19

**Important:** Make sure fuel shut off valve is closed before transporting or storing the machine, as fuel leakage may occur. Before storing the machine, pull wire off spark plug(s) to prevent possibility of accidental starting.

## The Safety Interlock System

### ⚠ CAUTION

If safety interlock switches are disconnected or damaged the machine could operate unexpectedly causing personal injury.

- Do not tamper with the interlock switches.
- Check the operation of the interlock switches daily and replace any damaged switches before operating the machine.

### Understanding the Safety Interlock System

The safety interlock system is designed to prevent the mower blades from rotating unless:

- The right side motion control lever is moved to the center, un-locked position.
- The blade control switch (PTO) is pulled on.

The safety interlock system is designed to stop the mower blades if you move or release the right side motion control lever into the neutral lock position.

The hour meter has symbols to notify the user when the interlock component is in the correct position. When the component is in the correct position, a triangle will light up in the corresponding square.

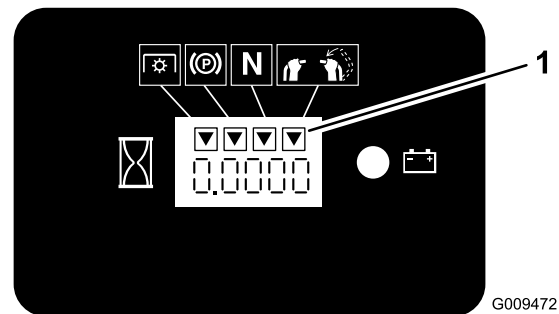


Figure 20

1. Triangles light up when the interlock components are in the correct position

### Testing the Safety Interlock System

**Service Interval:** Before each use or daily

Test the safety interlock system before you use the machine each time.

**Note:** If the safety system does not operate as described below, have an Authorized Service Dealer repair the safety system immediately.

1. Start the engine; refer to Starting and Stopping the Engine.
2. Set the parking brake.

3. Move the right side motion control lever to the center, un-locked position. **The blades should not rotate.**
4. Move the motion control levers forward. **The engine should kill.**
5. Start the engine and release the parking brake.
6. Move the right side motion control lever to the center, un-locked position.
7. Continue holding the right side motion control lever in the center, un-locked position and pull up on the blade control switch (PTO) and release. The clutch should engage and the mower blades begin rotating.
8. Move or release the right side motion control lever into the neutral lock position. **The blades should stop rotating and the engine continues to run.**
9. Push the blade control switch down and move the right side motion control lever to the center, un-locked position.
10. Continue holding the right side motion control lever in the center, un-locked position and pull up on the blade control switch (PTO) and release. The clutch should engage and the mower blades begin rotating.
11. Push the blade control switch (PTO) down to the off position. **The blades should stop rotating.**
12. With the engine running, pull up the blade control switch (PTO) and release without holding right side motion control lever to the center, un-locked position. **The blades should not rotate.**

## **⚠ WARNING**

The operator platform is heavy and may cause injury when lowering and raising the operator platform. The platform may suddenly drop if not supported when the latch pin is pulled out.

- Do not put hands or fingers in the platform pivot area when lowering or raising the operator platform.
- Make sure the platform is supported when the latch pin is pulled out.
- Make sure the latch secures the platform when folding it in the up position. Push it tight against the cushion for the latch pin to lock into place.
- Keep bystanders away when raising or lowering the platform.

## **Operating the Platform**

The machine can be used with the platform in the up or down position. It is the operator's preference on which position to use.

## **Operating the Machine with the Platform Up**

Operating the machine with the platform up is recommended when:

- Mowing near drop-off's
- Mowing small areas where the machine is too long
- Areas with low over hanging branches or obstacles
- Loading the machine for transport
- Driving up slopes

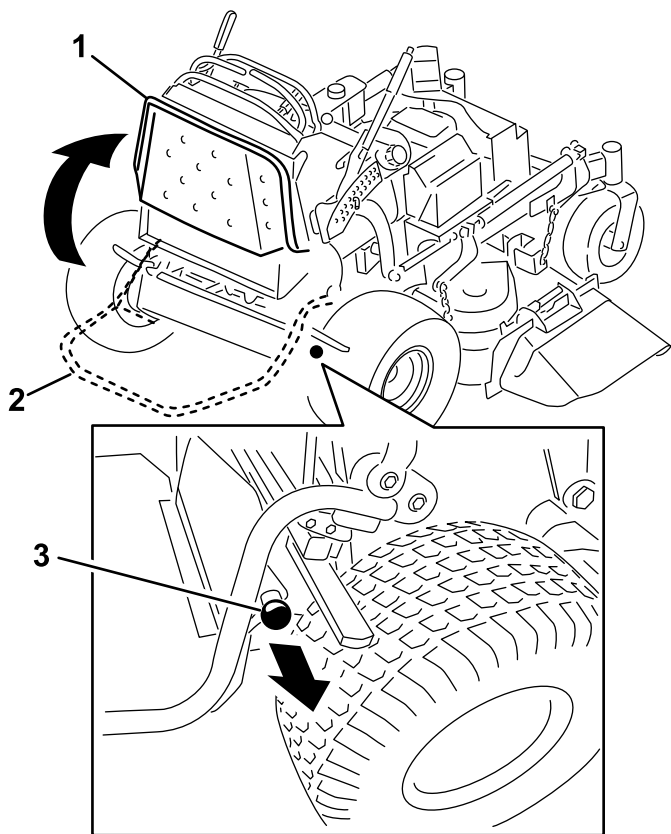
To raise the platform, pull the back of the platform up so the latch pin locks it into place. Push the platform tight against the cushion for the latch pin to lock into place.

## **Operating the Machine with the Platform Down**

Operating the machine with the platform down is recommended when:

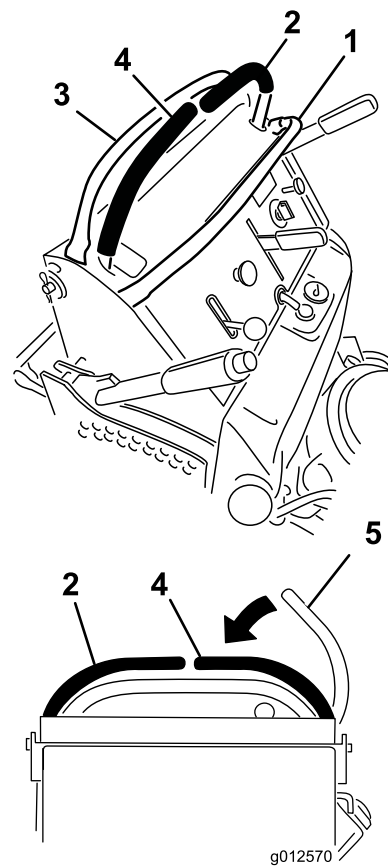
- Mowing most areas
- Driving across slopes
- Driving down slopes

To lower the platform, push the platform forward against the cushion to release pressure on the latch pin and then pull the knob out and lower the platform. Make sure to hold on to the platform when releasing the latch.



**Figure 21**

1. Platform up
2. Platform down
3. Pull the knob out to release the platform



**Figure 22**

1. Front reference bar
2. Left control lever
3. Rear reference bar
4. Right control lever
5. Right control lever in the neutral lock position

## Driving Forward or Backward

The throttle control regulates the engine speed as measured in rpm (revolutions per minute). Place the throttle control in the fast position for best performance. Always operate in the full throttle position when mowing.

### **CAUTION**

**Machine can spin very rapidly. Operator may lose control of machine and cause personal injury or damage to machine.**

**Slow the machine down before making sharp turns.**

### Driving Forward

1. Release the parking brake; refer to Releasing the Parking Brake in Operation.
2. To go forward, move the speed control lever to the desired speed.
3. Move the right side motion control lever to the center, un-locked position.

4. Slowly push the motion control levers forward (Figure 23).

**Note:** The engine will kill if a motion control lever is moved with the parking brake engaged.

The farther you move the motion control levers in either direction, the faster the machine will move in that direction.

To stop, pull the motion control levers back to the neutral position.

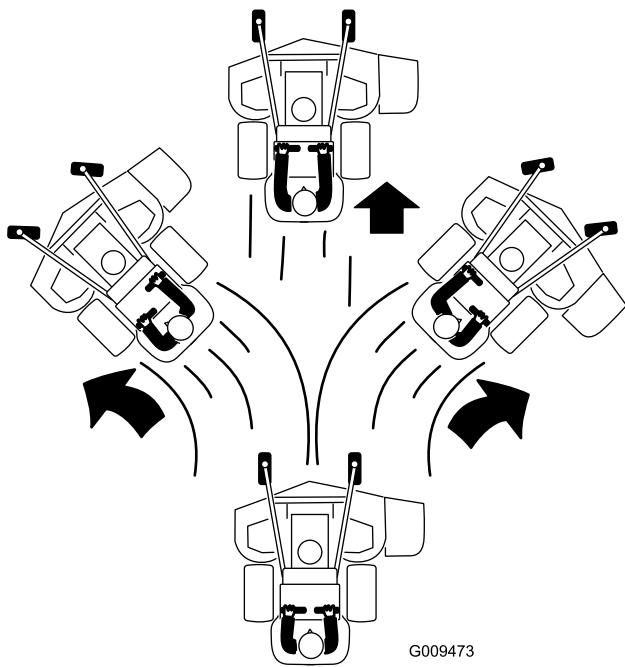


Figure 23

## Driving Backward

1. Move the right side motion control lever to the center, un-locked position.
2. Slowly pull the motion control levers rearward (Figure 24).

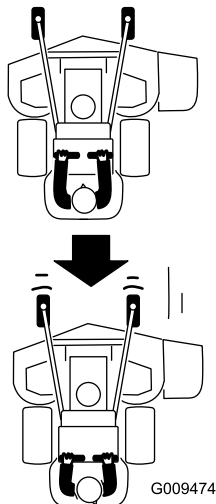


Figure 24

## Stopping the Machine

To stop the machine, move the motion control levers to neutral, move the right side motion control lever into the neutral lock position, disengage the power take off (PTO), and turn the ignition key to off.

Set the parking brake when you leave the machine; refer to Setting the Parking Brake in Operation. Remember to remove the key from the ignition switch.

### **CAUTION**

Children or bystanders may be injured if they move or attempt to operate the tractor while it is unattended.

Always remove the ignition key and set the parking brake when leaving the machine unattended, even if just for a few minutes.

## Pushing the Machine by Hand

The by-pass valves allow the machine to be pushed by hand without the engine running.

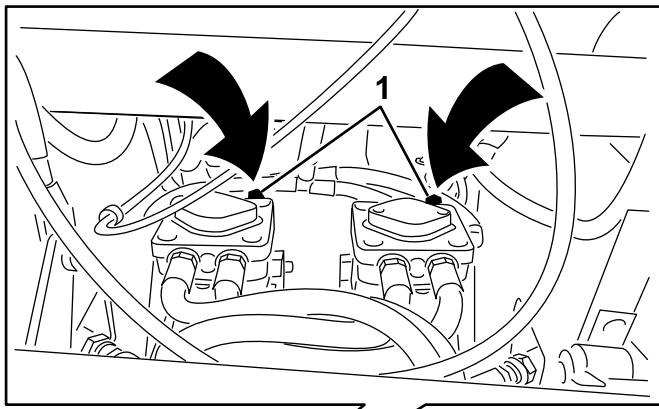
**Important:** Always push the machine by hand. Never tow the machine because hydraulic damage may occur.

### To Push the Machine

1. Disengage the PTO, move the motion control levers to the neutral locked position and set the parking brake.
2. Lower the mower deck to the lowest height-of-cut (HOC). This will allow access to the by pass valves.
3. Open the by-pass valve on both pumps by turning them counter clockwise 1 to 2 turns. This allows hydraulic fluid to by-pass the pumps and the wheels to turn (Figure 25).

**Note:** Rotate the by-pass valves a maximum of 2 turns so the valve does not come out of the body causing fluid to run out.





**Figure 25**

1. Pump by-pass valve

4. Release the parking brake.
5. Push the machine to the desired location.
6. Set the parking brake.
7. Close the by-pass valves, but do not overtighten them. Torque to 110 to 130 in-lb (12 to 15 N-m).

**Important:** Do not start or operate the machine with the by-pass valves open. Damage to system may occur.

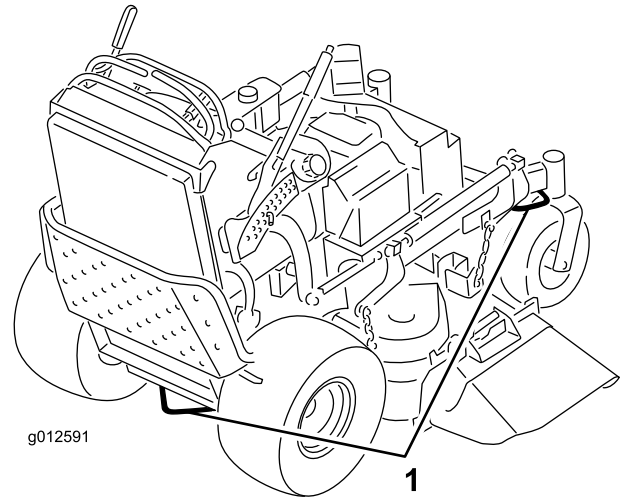
## Transporting Machines

Use a heavy-duty trailer or truck to transport the machine. Ensure that the trailer or truck has all necessary brakes, lighting, and marking as required by law. Please carefully read all the safety instructions. Knowing this information could help you, your family, pets or bystanders avoid injury.

To transport the machine:

1. Raise the platform of the machine before driving up onto the trailer or truck.
2. If using a trailer, connect it to the towing vehicle and connect the safety chains.
3. If applicable, connect the trailer brakes.
4. Load the machine onto the trailer or truck.

5. Stop the engine, remove the key, set the brake, and close the fuel valve.
6. Use the metal tie down loops on the machine to securely fasten the machine to the trailer or truck with straps, chains, cable, or ropes (Figure 26).



**Figure 26**

1. Traction unit tie down loop

## Loading Machines

Use extreme caution when loading units on trailers or trucks. One full width ramp that is wide enough to extend beyond the rear tires is recommended instead of individual ramps for each side of the unit (Figure 27). The platform when down and locked into position, extends back between the rear wheels and serves as a stop for tipping backward. Having a full width ramp provides a surface for the platform to contact if the unit starts to tip backward. With the platform up, a full width ramp provides a surface to walk on behind the unit. The operator should determine if it is best to have the platform up or down when loading, depending on conditions. If it is not possible to use one full width ramp, use enough individual ramps to simulate a full width continuous ramp.

The ramp should be long enough so that the angles do not exceed 20 degrees (Figure 27). A steeper angle may cause mower components to get caught as the unit moves from ramp to trailer or truck. Steeper angles may also cause the unit to tip backward. If loading on or near a slope, position the trailer or truck so it is on the down side of the slope and the ramp extends up the slope. This will minimize the ramp angle. The trailer or truck should be as level as possible.

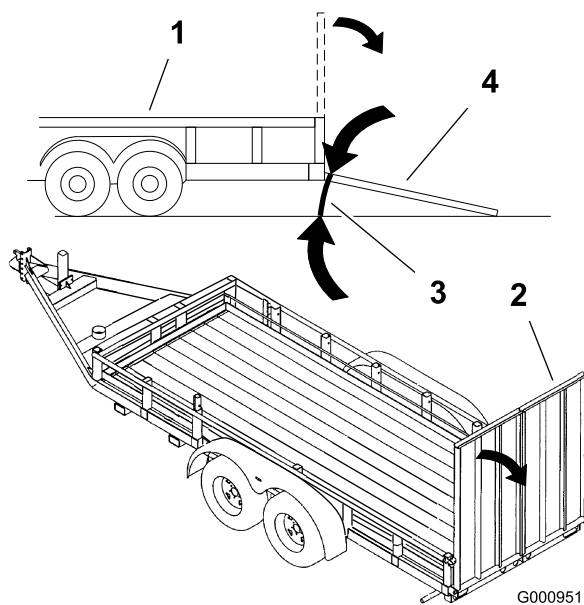
**Important:** Do Not attempt to turn the unit while on the ramp; you may lose control and drive off the side.

Avoid sudden acceleration when driving up a ramp and sudden deceleration when backing down a ramp. Both maneuvers can cause the unit to tip backward.

### **⚠ WARNING**

Loading a unit onto a trailer or truck increases the possibility of backward tip-over and could cause serious injury or death.

- Use extreme caution when operating a unit on a ramp.
- Use only a single, full width ramp; Do Not use individual ramps for each side of the unit.
- If individual ramps must be used, use enough ramps to create an unbroken ramp surface wider than the unit.
- Do not exceed a 15 degree angle between ramp and ground or between ramp and trailer or truck.
- Avoid sudden acceleration while driving unit up a ramp to avoid tipping backward.
- Avoid sudden deceleration while backing unit down a ramp to avoid tipping backward.



**Figure 27**

- |                    |                                |
|--------------------|--------------------------------|
| 1. Trailer         | 3. Not greater than 15 degrees |
| 2. Full width ramp | 4. Full width ramp—side view   |

## Side Discharging or Mulching the Grass

This mower has a hinged grass deflector that disperses clippings to the side and down toward the turf.

### **⚠ DANGER**

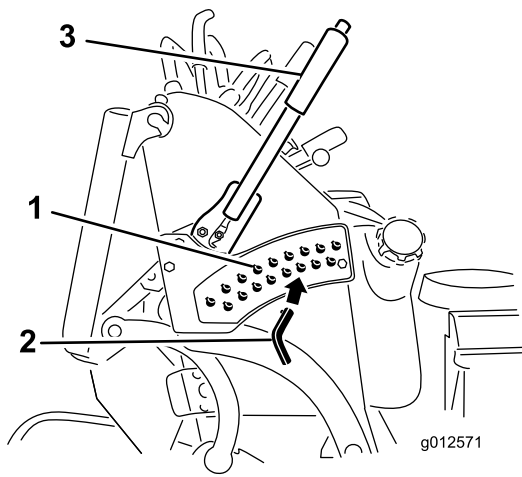
Without the grass deflector, discharge cover, or complete grass catcher assembly mounted in place, you and others are exposed to blade contact and thrown debris. Contact with rotating mower blade(s) and thrown debris will cause injury or death.

- Never remove the grass deflector from the mower because the grass deflector routes material down toward the turf. If the grass deflector is ever damaged, replace it immediately.
- Never put your hands or feet under the mower.
- Never try to clear discharge area or mower blades unless you release the bail and the power take off (PTO) is off. Rotate the ignition key to Off. Also remove the key and pull the wire(s) off the spark plug(s).

## Adjusting the Height-of-Cut

The height-of-cut can be adjusted from 1 to 5 inches (25 to 127 mm) in 1/4 inch (6 mm) increments.

1. Move the height-of-cut lever to the transport position (all the way up).
2. To adjust, rotate the pin 90 degrees and remove the pin from the height-of-cut bracket.
3. Select a hole in the height-of-cut bracket corresponding to the height-of-cut desired and, insert the pin (Figure 28).
4. Push the button on top and lower the height-of-cut lever to the pin (Figure 28).



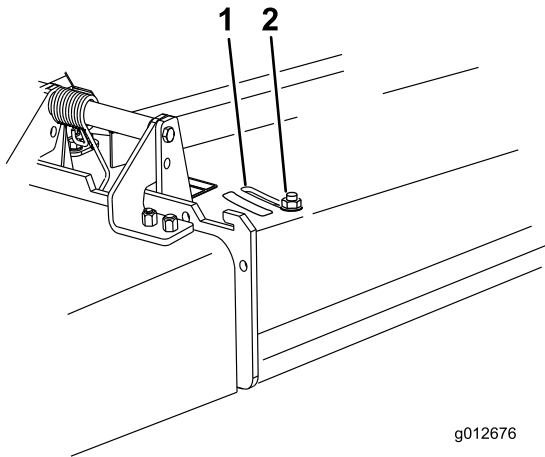
**Figure 28**

- |                        |                        |
|------------------------|------------------------|
| 1. Height-of-cut holes | 3. Height-of-cut lever |
| 2. Height-of-cut pin   |                        |

## Adjusting the Flow Baffle

The mower discharge flow can be adjusted for different types of mowing conditions. Position the cam lock and baffle to give the best quality of cut.

1. Disengage the PTO, move the motion control levers to the neutral locked position and set the parking brake.
2. Stop the engine, remove the key, and wait for all moving parts to stop before leaving the operating position.
3. To adjust the baffle, loosen the nut (Figure 29).
4. Adjust the baffle and nut in the slot to the desired discharge flow and tighten the nut.



**Figure 29**

- |         |        |
|---------|--------|
| 1. Slot | 2. Nut |
|---------|--------|

## Positioning the Flow Baffle

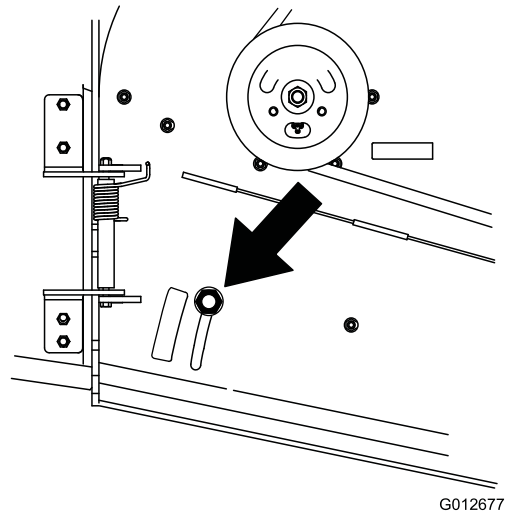
The following figures are only recommendations for use. Adjustments will vary by grass type, moisture content, and height of grass.

**Note:** If the engine power draws down and the mower ground speed is the same, open up the baffle.

### Position A

This is the full rear position (see Figure 30). The suggested use for this position is as follows.

- Use for short, light grass mowing conditions.
- Use in dry conditions.
- For smaller grass clippings.
- Propels grass clippings farther away from the mower.



**Figure 30**

### Position B

Use this position when bagging (Figure 31).

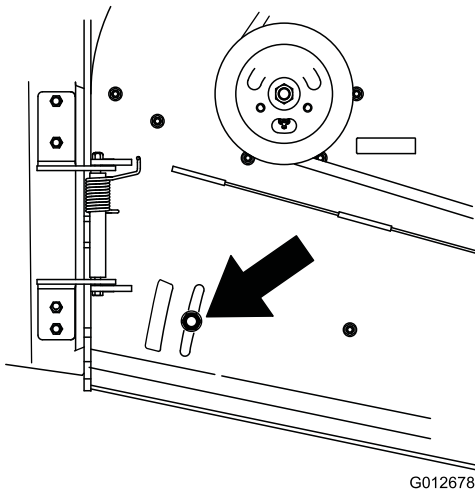


Figure 31

**Note:** Contact an Authorized Service Dealer to order a Weight Kit.

### **⚠ WARNING**

Excessive weight changes can effect handling and operation of the machine. This could cause serious injury to you or bystanders.

Make weight changes in small increments only.

Evaluate the mower after each weight change to ensure the machine can be operated safely.

---

## Position C

This is the full open position. The suggested use for this position is as follows (Figure 32).

- Use in tall, dense grass mowing conditions.
- Use in wet conditions.
- Lowers the engine power consumption.
- Allows increased ground speed in heavy conditions.

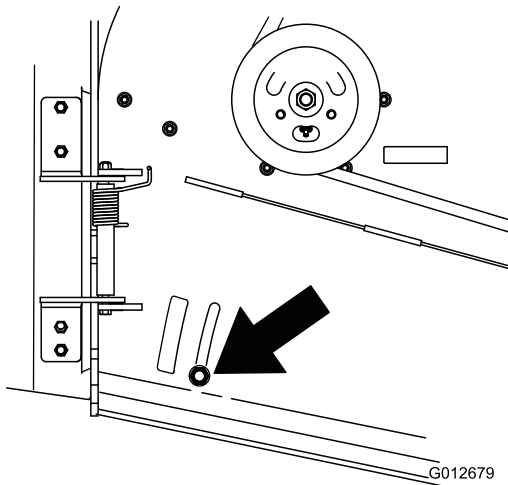


Figure 32

---

## Using Counterweights

- Weights are installed to improve handling, balance and improve performance. Weights can be added or removed to create optimized performance under different mowing conditions and for operator preference.
- It is recommended that weights be added or removed one at a time until the desired handling and balance is achieved.

# Maintenance

**Note:** Determine the left and right sides of the machine from the normal operating position.

## ***Recommended Maintenance Schedule(s)***

Maintenance Service Interval	Maintenance Procedure
After the first 8 hours	<ul style="list-style-type: none"> <li>• Change the engine oil.</li> <li>• Check the hydraulic fluid level.</li> <li>• Change the hydraulic filter.</li> </ul>
Before each use or daily	<ul style="list-style-type: none"> <li>• Check the safety interlock system.</li> <li>• Check the engine oil level.</li> <li>• Clean the air intake screen.</li> <li>• Check the brakes.</li> <li>• Inspect the blades.</li> <li>• Clean the mower deck.</li> </ul>
Every 25 hours	<ul style="list-style-type: none"> <li>• Clean foam air cleaner element.</li> </ul>
Every 50 hours	<ul style="list-style-type: none"> <li>• Grease the mower deck idler arms (more often in dirty or dusty conditions).</li> <li>• Grease the lift linkage (more often in dirty or dusty conditions).</li> <li>• Lubricate the speed control sliding parts (more often in dirty or dusty conditions).</li> <li>• Clean the paper air cleaner element.</li> <li>• Check the tire pressure.</li> <li>• Check the hydraulic fluid level.</li> </ul>
Every 100 hours	<ul style="list-style-type: none"> <li>• Change the engine oil. (more often in dirty or dusty conditions)</li> <li>• Check, clean and regap the spark plug.</li> <li>• Check the battery.</li> <li>• Check and clean engine cooling fins and shrouds.</li> <li>• Check the pump drive belt.</li> <li>• Check the mower deck belt(s).</li> <li>• Check the hydraulic hoses.</li> </ul>
Every 200 hours	<ul style="list-style-type: none"> <li>• Replace the paper air cleaner element.</li> <li>• Change the engine oil filter.</li> </ul>
Every 250 hours	<ul style="list-style-type: none"> <li>• Change the hydraulic oil when using Mobil® 1 oil.</li> </ul>
Every 500 hours	<ul style="list-style-type: none"> <li>• Adjust the caster pivot bearing.</li> <li>• Check the electric clutch.</li> <li>• Change the hydraulic oil when using Toro® HYPR-OIL™ 500 hydraulic oil.</li> <li>• Change the hydraulic filter.</li> </ul>
Before storage	<ul style="list-style-type: none"> <li>• Paint chipped surfaces.</li> <li>• Perform all maintenance procedures listed above before storage.</li> </ul>
Yearly	<ul style="list-style-type: none"> <li>• Grease the front caster pivots (more often in dirty or dusty conditions).</li> <li>• Lubricate the caster wheel hubs.</li> <li>• Replace the fuel filter.</li> </ul>

**Important:** Refer to your *Engine Operator's Manual* for additional maintenance procedures.

### **▲ CAUTION**

If you leave the key in the ignition switch, someone could accidentally start the engine and seriously injure you or other bystanders.

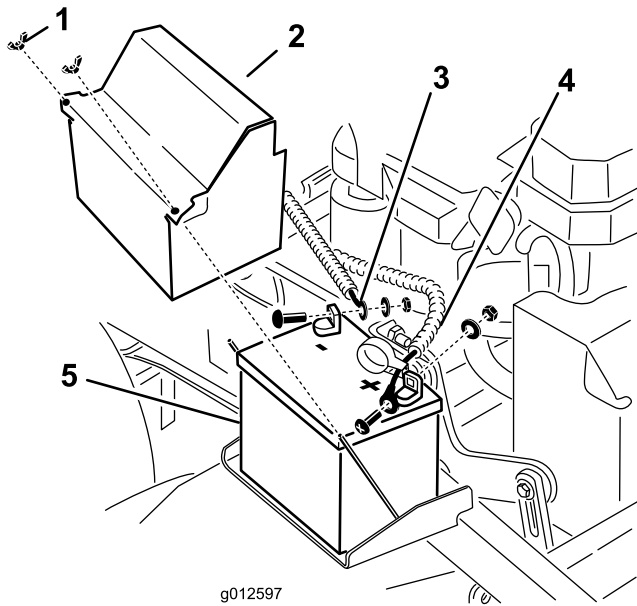
Remove the key from the ignition and disconnect the spark plug wires from the spark plugs before you do any maintenance. Set the wires aside so that they do not accidentally contact the spark plugs.

# Premaintenance Procedures

## Raising the Mower for Access

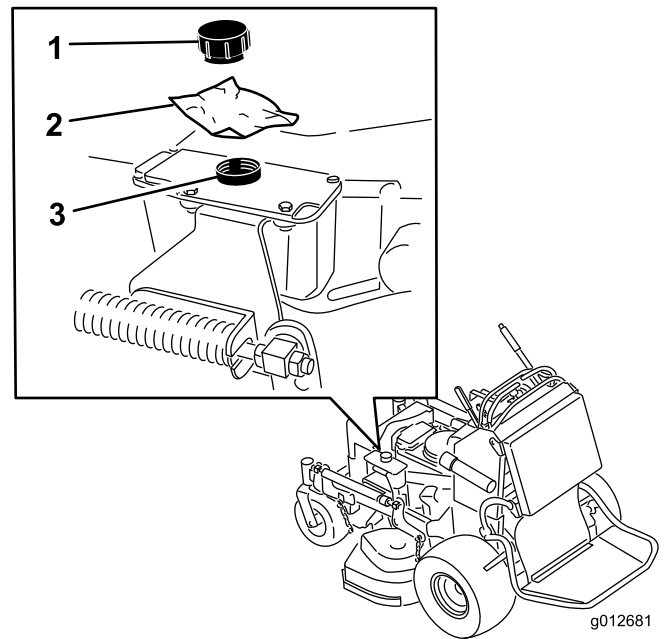
The front of the mower can be raised and supported on its back for access under the machine for maintenance.

1. Raise the platform. Refer to Operating the Platform in Operation.
2. Remove the battery.



**Figure 33**

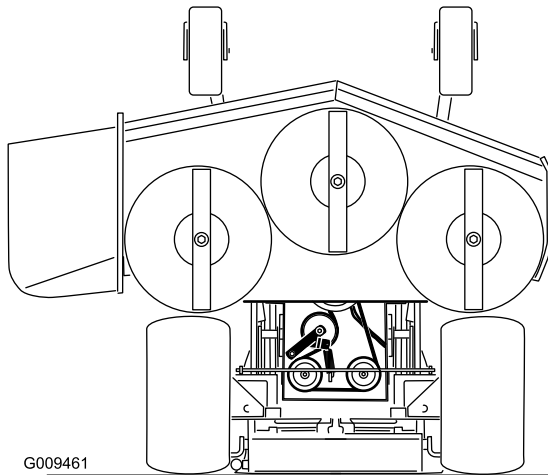
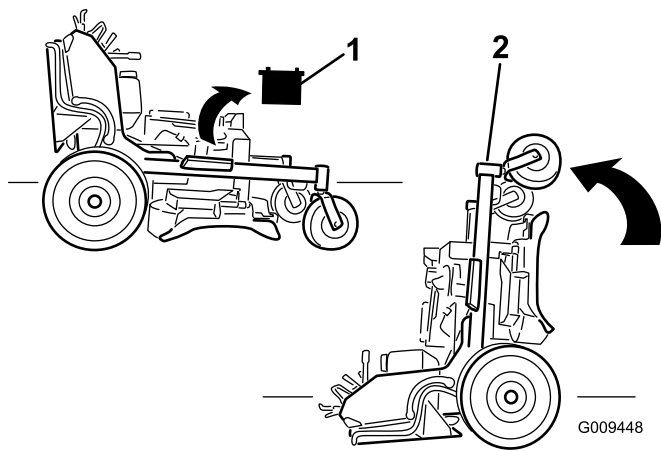
1. Wing nut
2. Battery cover
3. Negative battery cable
4. Positive battery cable
5. Battery



**Figure 34**

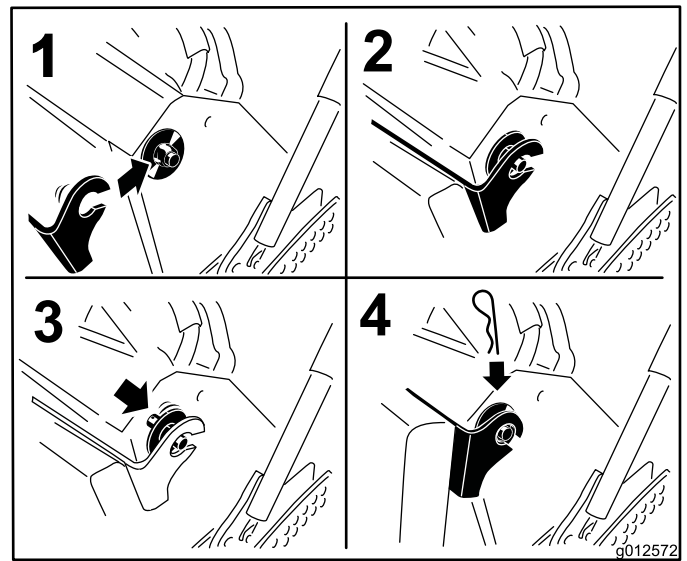
1. Cap
2. Piece of plastic
3. Hydraulic tank

3. Drain the fuel from the fuel tank. Refer to Draining the Fuel Tank in Maintenance.
4. Remove the cap of the hydraulic tank and place a piece of plastic over the opening and install the hydraulic cap. This will seal the hydraulic tank and prevent it from leaking out.



**Figure 35**

1. Remove battery
2. With two people, lift the front end of the mower (ensure the platform is up)



**Figure 36**

## Release the Cushion for Rear Access

The cushion can be released for rear access to the machine for maintenance or adjustment.

1. Lower the platform.
2. Remove the hairpin cotter pins on each side of the cushion.
3. Slide the large washers with plastic bushings to the inside.
4. Remove the cushion and lower it to the platform.
5. Perform any maintenance or adjustment on the machine.
6. Raise the cushion and slide it onto the pins on both sides of the machine (Figure 36).
7. Slide the large washers with plastic bushings into the cushion bracket and secure them with a hairpin cotter pin (Figure 36).

# Lubrication

Grease with No. 2 general purpose lithium base or molybdenum base grease.

Lubricate the speed/traction control linkage with a dry lubricant, PTFE(Polytetrafluoroethylene) (Figure 40).

## How to Grease

1. Disengage the PTO and set the parking brake.
2. Stop the engine, remove the key, and wait for all moving parts to stop before leaving the operating position.
3. Clean the grease fittings with a rag. Make sure to scrape any paint off the front of the fitting(s).
4. Connect a grease gun to the fitting. Pump grease into the fittings until grease begins to ooze out of the bearings.
5. Wipe up any excess grease.

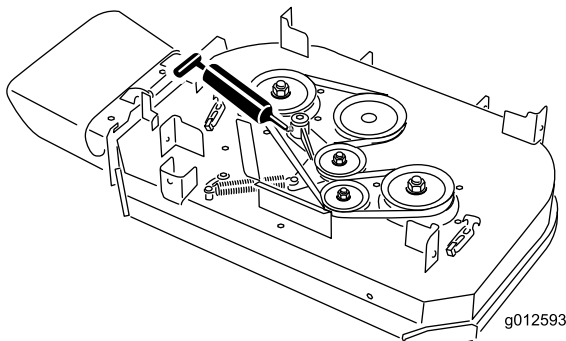
## Lubricating the Machine

**Service Interval:** Every 50 hours—Grease the mower deck idler arms (more often in dirty or dusty conditions).

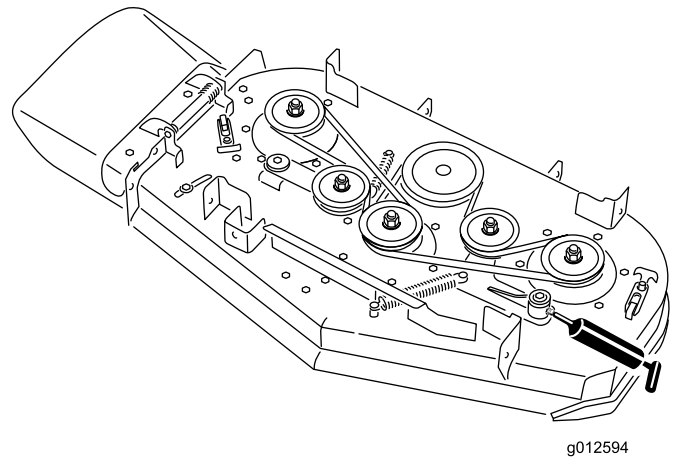
Every 50 hours—Grease the lift linkage (more often in dirty or dusty conditions).

Every 50 hours/Yearly (whichever comes first)—Lubricate the speed control sliding parts (more often in dirty or dusty conditions).

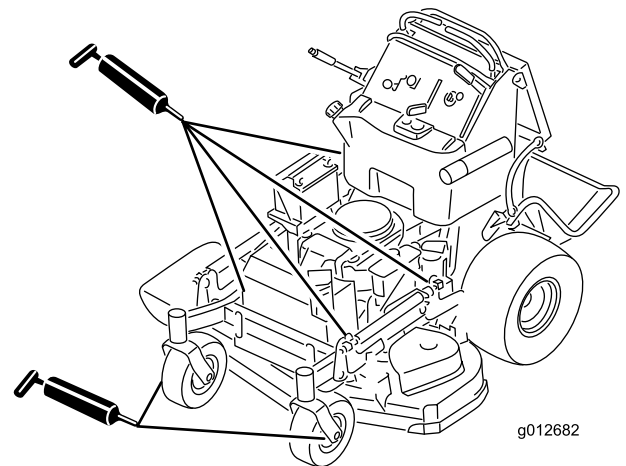
Use the following graphics for locating the grease points.



**Figure 37**  
91cm Mower Deck



**Figure 38**  
102cm Mower Deck

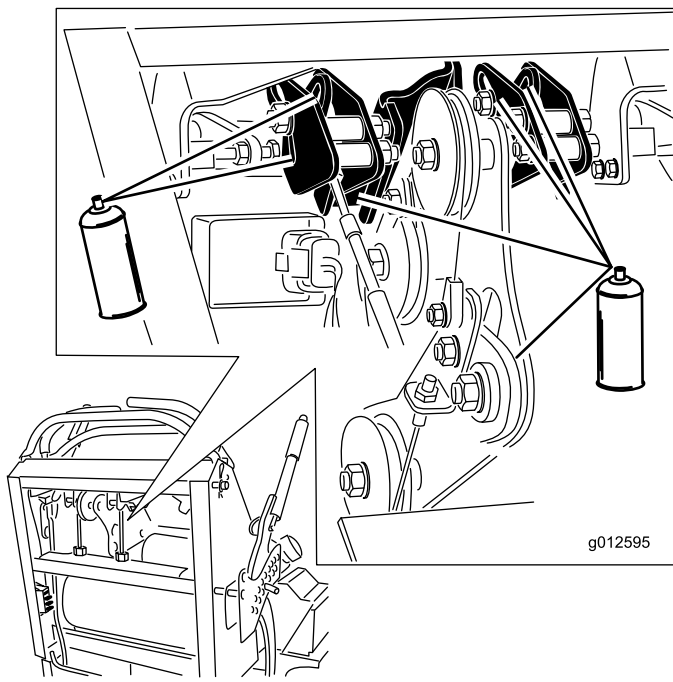


**Figure 39**

Lubricate the speed/traction control linkage with a dry PTFE (Polytetrafluoroethylene) lubricant.

**Important:** Use only a dry PTFE (Polytetrafluoroethylene) lubricant. Do not use a wet oil film, which will attract dust and dirt.





**Figure 40**

## Greasing the Front Caster Pivots

**Service Interval:** Yearly—Grease the front caster pivots (more often in dirty or dusty conditions).

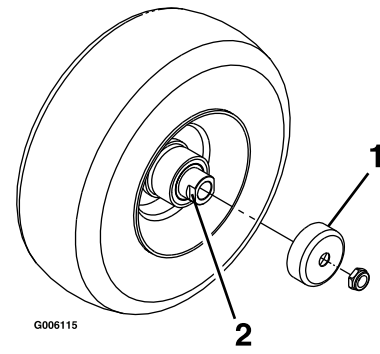
Lubricate the front caster pivots once a year.

1. Remove the dust cap and adjust the caster pivots. Keep the dust cap off until greasing is done. Refer to Adjusting the Caster Pivot Bearing in Maintenance Section.
2. Remove the hex plug. Thread a grease zerk into the hole.
3. Pump grease into the zerk until it oozes out around the top bearing.
4. Remove the grease zerk in the hole. Install the hex plug and cap.

## Lubricate the Caster Wheel Hubs

**Service Interval:** Yearly—Lubricate the caster wheel hubs.

1. Stop the engine, wait for all moving parts to stop, and remove the key. Engage the parking brake.



**Figure 41**

1. Seal guard
2. Spacer nut with wrench flats

2. Remove the caster wheel from the caster forks.
3. Remove the seal guards from the wheel hub.
4. Remove one of the spacer nuts from the axle assembly in the caster wheel. Note that thread locking adhesive has been applied to lock the spacer nuts to the axle. Remove the axle (with the other spacer nut still assembled to it) from the wheel assembly.
5. Pry out seals, and inspect bearings for wear or damage and replace if necessary.
6. Pack the bearings with a general-purpose grease.
7. Insert one bearing, one new seal into the wheel.
 

**Note:** The seals must be replaced.
8. If the axle assembly has had both spacer nuts removed (or broken loose), apply a thread locking adhesive to one spacer nut and thread onto the axle with the wrench flats facing outward. Do Not thread spacer nut all of the way onto the end of the axle. Leave approximately 1/8 inch (3 mm) from the outer surface of the spacer nut to the end of the axle inside the nut.
9. Insert the assembled nut and axle into the wheel on the side of the wheel with the new seal and bearing.
10. With the open end of the wheel facing up, fill the area inside the wheel around the axle full of general-purpose grease.
11. Insert the second bearing and new seal into the wheel.
12. Apply a thread locking adhesive to the 2nd spacer nut and thread onto the axle with the wrench flats facing outward.

13. Torque the nut to 75-80 in-lb (8-9 N-m), loosen, then re-torque to 20-25 in-lb (2-3 N-m). Make sure axle does not extend beyond either nut.
14. Reinstall the seal guards over the wheel hub and insert wheel into caster fork. Reinstall caster bolt and tighten nut fully.

**Important:** To prevent seal and bearing damage, check the bearing adjustment often. Spin the caster tire. The tire should not spin freely (more than 1 or 2 revolutions) or have any side play. If the wheel spins freely, adjust torque on spacer nut until there is a slight amount of drag. Reapply thread locking adhesive.

# Engine Maintenance

## Servicing the Air Cleaner

### Service Interval/Specification

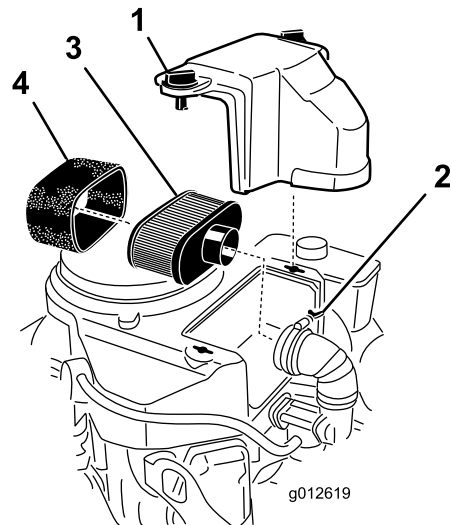
Inspect the foam and paper elements and replace them if they are damaged or excessively dirty.

**Note:** Service the air cleaner more frequently (every few operating hours) if the operating conditions are extremely dusty or sandy.

**Important:** Do not oil the foam or paper element.

### Removing the Foam and Paper Elements

1. Disengage the PTO and set the parking brake.
2. Stop the engine, remove the key, and wait for all moving parts to stop before leaving the operating position.
3. Clean around the air cleaner to prevent dirt from getting into the engine and causing damage (Figure 42).
4. Unscrew the cover knobs and remove the air cleaner cover (Figure 42).
5. Unscrew the hose clamp and remove the air cleaner assembly (Figure 42).
6. Carefully pull the foam element off the paper element (Figure 42).



**Figure 42**

- |               |                  |
|---------------|------------------|
| 1. Cover      | 3. Paper element |
| 2. Hose clamp | 4. Foam element  |

## Cleaning the Foam Air Cleaner Element

**Service Interval:** Every 25 hours

1. Wash the foam element in liquid soap and warm water. When the element is clean, rinse it thoroughly.
2. Dry the element by squeezing it in a clean cloth.

**Important:** Replace the foam element if it is torn or worn.

## Servicing the Paper Air Cleaner Element

**Service Interval:** Every 50 hours—Clean the paper air cleaner element.

Every 200 hours—Replace the paper air cleaner element.

1. Clean the paper element by tapping gently to remove dust. If it is very dirty, replace the paper element with a new one (Figure 42).
2. Inspect the element for tears, an oily film, or damage to the rubber seal.
3. Replace the paper element if it is damaged.

## Installing the Foam and Paper Elements

**Important:** To prevent engine damage, always operate the engine with the complete foam and paper air cleaner assembly installed.

1. Carefully slide the foam element onto the paper air cleaner element (Figure 42).
2. Place the air cleaner assembly onto the air cleaner base or hose and secure it (Figure 42).
3. Place the air cleaner cover into position and tighten the cover knob (Figure 42).

## Servicing the Engine Oil

**Service Interval:** Before each use or daily—Check the engine oil level.

After the first 8 hours—Change the engine oil.

Every 100 hours—Change the engine oil. (more often in dirty or dusty conditions)

Every 200 hours—Change the engine oil filter.

**Note:** Change the oil more frequently when the operating conditions are extremely dusty or sandy.

**Note:** There are different oil capacities for the different models listed in this manual. Ensure the correct amount of oil is used.

**Important:** Remember to add 80% of the oil and then gradually fill it to the full mark on the dipstick.

**Oil Type:** Detergent oil (API service SF, SG, SH, SJ or SL)

**Engine Oil Capacity:** 58 ounces (1.7 liter) with the filter removed; 51 ounces (1.5 liter) without the filter removed

**Viscosity:** Refer to the table below

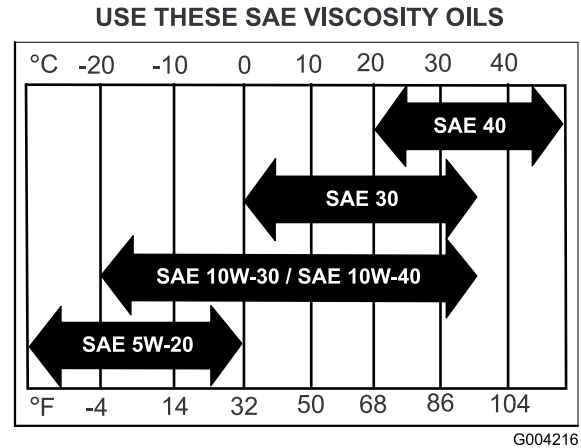


Figure 43

## Checking the Engine Oil Level

**Note:** Check the oil when the engine is cold.

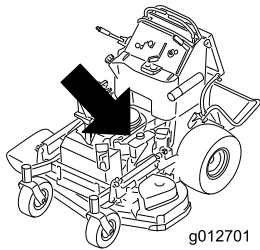
### **⚠ WARNING**

Contact with hot surfaces may cause personal injury.

Keep hands, feet, face, clothing and other body parts away the muffler and other hot surfaces.

**Important:** Do not overfill the crankcase with oil because damage to the engine may result. Do not run engine with oil below the low mark because the engine may be damaged.

1. Disengage the PTO, move the motion control levers to the neutral locked position and set the parking brake.
2. Stop the engine, remove the key, and wait for all moving parts to stop before leaving the operating position (Figure 44).



g012701

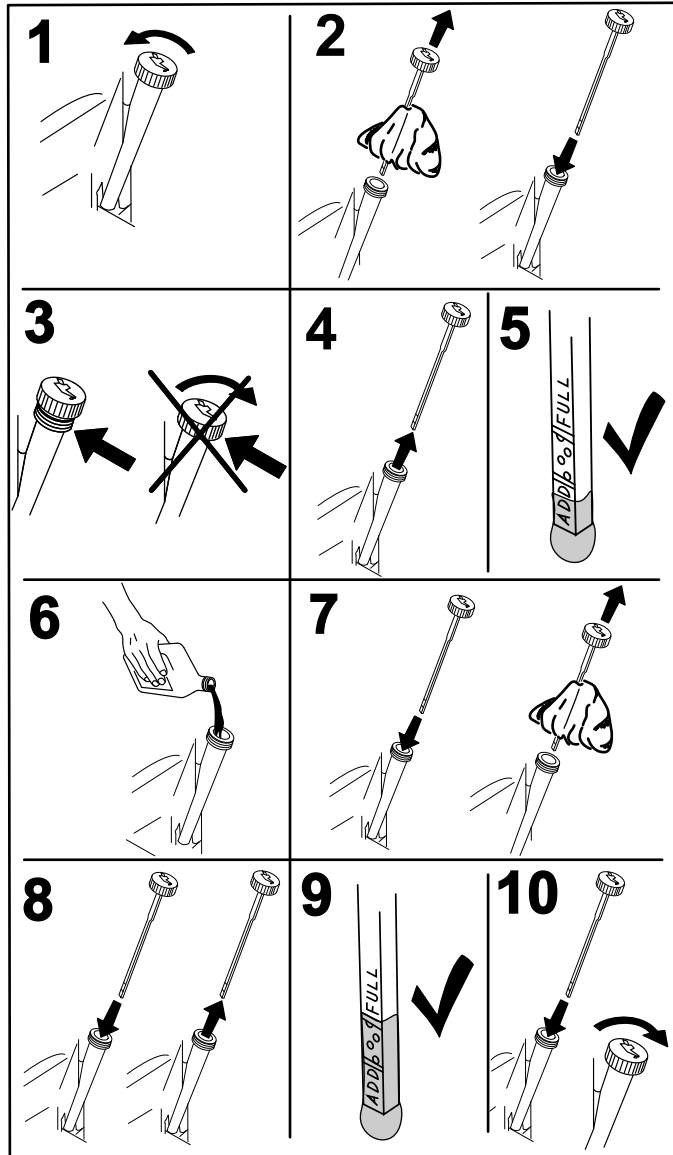
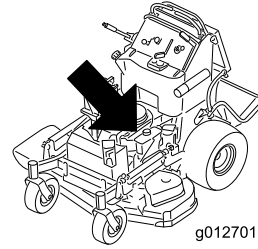


Figure 44

G008792

3. Stop the engine, remove the key, and wait for all moving parts to stop before leaving the operating position (Figure 45).



g012701

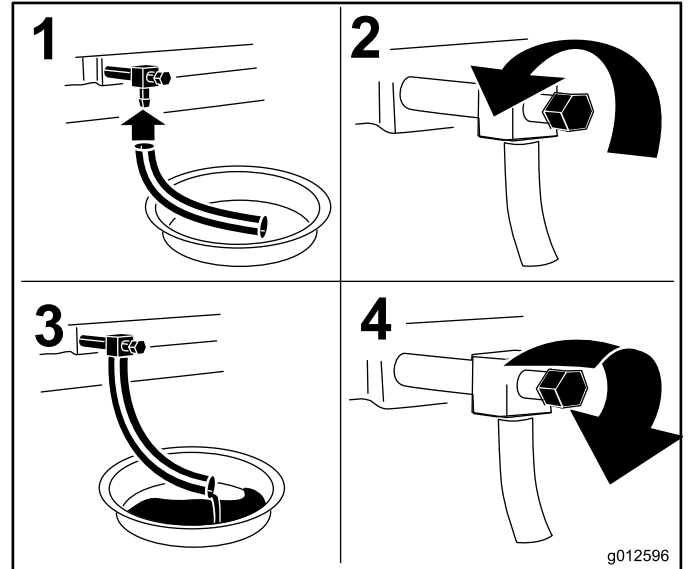


Figure 45

g012596

4. Slowly pour approximately 80% of the specified oil into the filler tube and slowly add the additional oil to bring it to the **Full** mark (Figure 46).

## Changing the Engine Oil

**Note:** Dispose of the used oil at a recycling center.

1. Park the machine so that the drain side is slightly lower than the opposite side to assure the oil drains completely.
2. Disengage the PTO, move the motion control levers to the neutral locked position and set the parking brake.

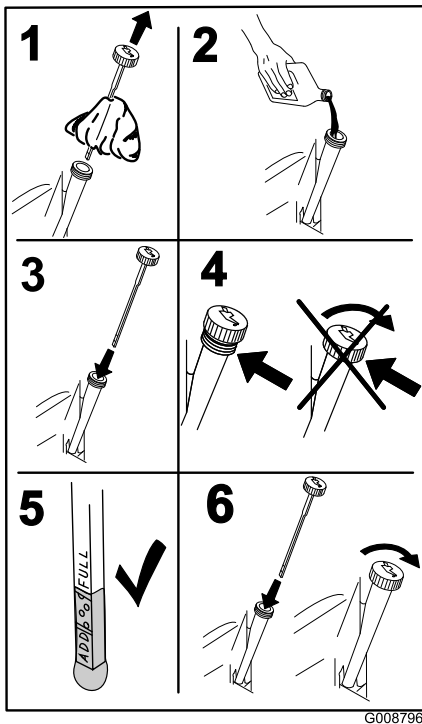
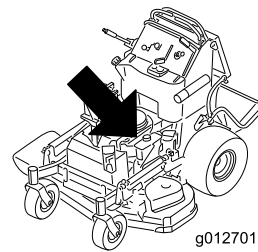


Figure 46

G008796



G012701

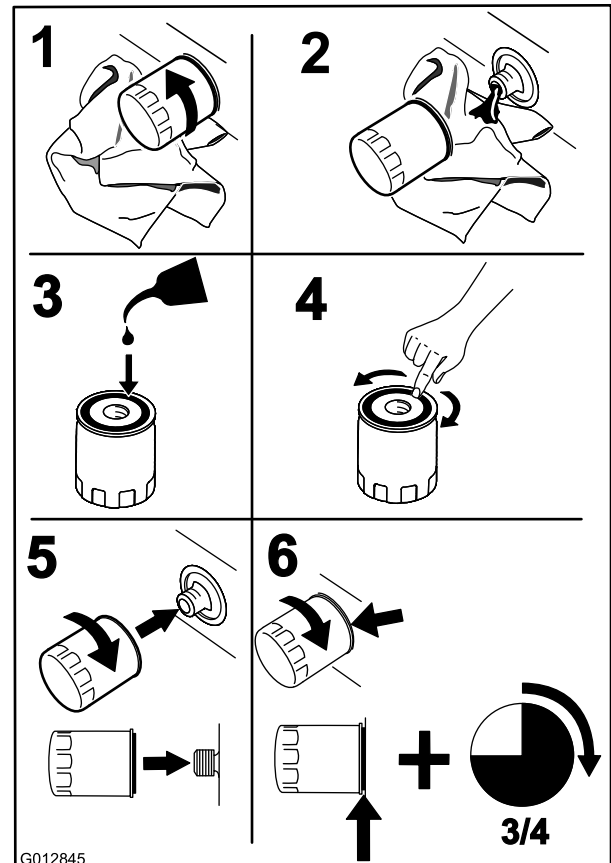


Figure 47

G012845

## Changing the Engine Oil Filter

**Note:** Change the engine oil filter more frequently when operating conditions are extremely dusty or sandy.

1. Drain the oil from the engine; refer to Changing the Engine Oil.
2. Place a rag under the oil filter to soak up any spilled oil.

**Important:** Spilled oil may drain under the engine and onto the clutch. Oil spilled on the clutch may damage the clutch, cause the blades to stop slowly when the clutch is switched off and cause the clutch to slip when the clutch is switched on. Wipe up any spilled oil.

3. Change the engine oil filter (Figure 47).

**Note:** Ensure the oil filter gasket touches the engine and then an extra 3/4 turn is completed.

4. Fill the crankcase with the proper type of new oil; refer to Changing the Oil.

## Servicing the Spark Plug

**Service Interval:** Every 100 hours

Make sure the air gap between the center and side electrodes is correct before installing the spark plug. Use a spark plug wrench for removing and installing the spark plug(s) and a gapping tool/feeler gauge to check and adjust the air gap. Install a new spark plug(s) if necessary.

**Type for all Engines:** NGK® BPR4ES or equivalent

**Air Gap:** 0.030 inch (0.75 mm)

## Removing the Spark Plug

1. Disengage the PTO, move the motion control levers to the neutral locked position and set the parking brake.
2. Stop the engine, remove the key, and wait for all moving parts to stop before leaving the operating position.

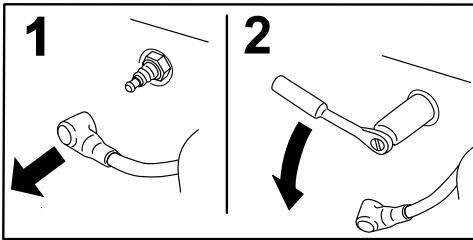
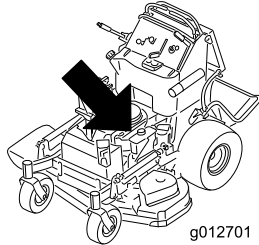


Figure 48

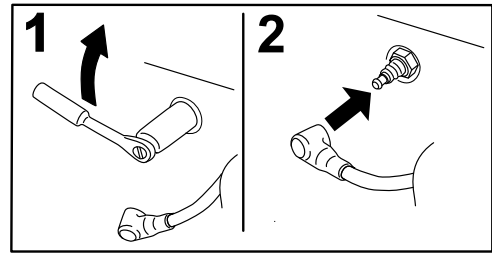


Figure 50

## Checking the Spark Plug

**Important:** Never clean the spark plug(s). Always replace the spark plug(s) when it has: a black coating, worn electrodes, an oily film, or cracks.

If you see light brown or gray on the insulator, the engine is operating properly. A black coating on the insulator usually means the air cleaner is dirty.

Set the gap to 0.030 inches (0.75 mm).

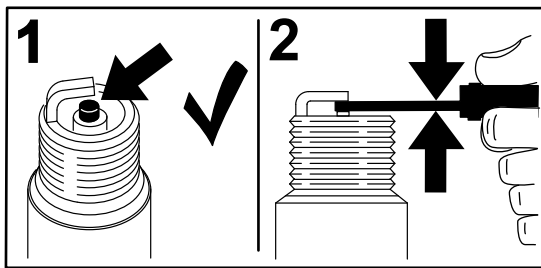


Figure 49

## Installing the Spark Plug

Tighten the spark plug(s) to 16 ft.-lb (22 N-m).

# Fuel System Maintenance

## Draining the Fuel Tank

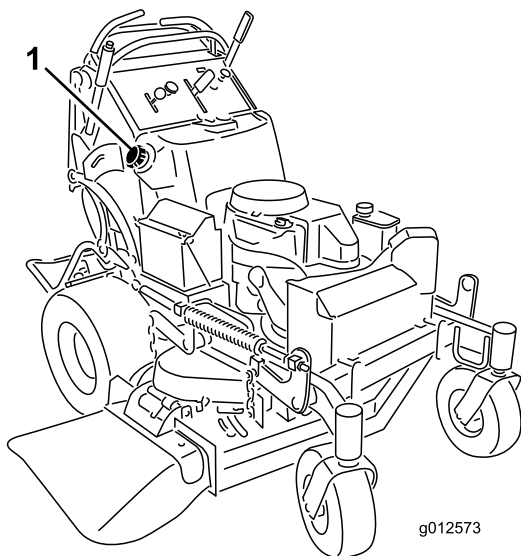
**Note:** There is no other recommended way to drain fuel from the tank, other than using a syphon pump. A syphon pump can be purchased at a hardware store.

### **⚠ DANGER**

In certain conditions, gasoline is extremely flammable and highly explosive. A fire or explosion from gasoline can burn you and others and can damage property.

- Drain gasoline from the fuel tank when the engine is cold. Do this outdoors in an open area. Wipe up any gasoline that spills.
- Never smoke when draining gasoline, and stay away from an open flame or where a spark may ignite the gasoline fumes.

1. Park the machine on a level surface. Disengage the power take off (PTO), set the parking brake, turn the ignition key to **Off** and remove the key.
2. Clean around the fuel cap to prevent debris from getting into the fuel tank (Figure 52).
3. Remove the fuel cap.
4. Insert a syphon pump into the fuel tank.
5. Using the syphon pump, drain the fuel into a clean gas can (Figure 51).
6. Wipe up any spilled fuel.



**Figure 51**

1. Fuel cap

## Servicing the Fuel Filter

### Replacing the Fuel Filter

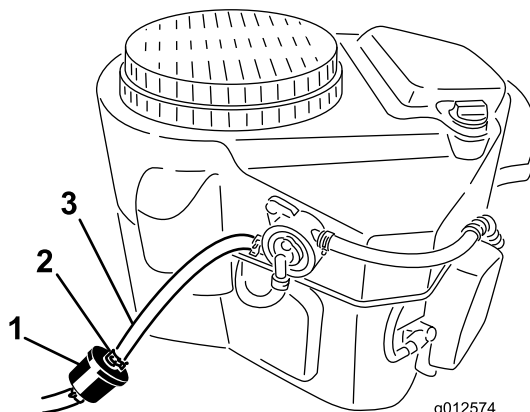
**Service Interval:** Yearly

Never install a dirty filter if it is removed from the fuel line.

**Note:** Note how the fuel filter is installed in order to install the new filter correctly.

**Note:** Wipe up any spilled fuel.

1. Disengage the PTO and set the parking brake.
2. Stop the engine, remove the key, and wait for all moving parts to stop before leaving the operating position.
3. Close fuel shut-off valve.
4. Squeeze the ends of the hose clamps together and slide them away from the filter (Figure 52).



**Figure 52**

1. Fuel filter
2. Hose clamp
3. Fuel line

5. Remove the filter from the fuel lines.
6. Install a new filter and move the hose clamps close to the filter.
7. Open the fuel shut-off valve.
8. Check for fuel leaks and repair if needed.
9. Wipe up any spilled fuel.

# Electrical System Maintenance

## Servicing the Battery

**Service Interval:** Every 100 hours

Always keep the battery clean and fully charged. Use a paper towel to clean the battery case. If the battery terminals are corroded, clean them with a solution of four parts water and one part baking soda. Apply a light coating of grease to the battery terminals to prevent corrosion.

**Voltage:** 12 V

### WARNING

#### CALIFORNIA Proposition 65 Warning

Battery posts, terminals, and related accessories contain lead and lead compounds, chemicals known to the State of California to cause cancer and reproductive harm. Wash hands after handling.

### ⚠ DANGER

Battery electrolyte contains sulfuric acid which is a deadly poison and causes severe burns.

Do not drink electrolyte and avoid contact with skin, eyes or clothing. Wear safety glasses to shield your eyes and rubber gloves to protect your hands.

## Removing the Battery

### ⚠ WARNING

Battery terminals or metal tools could short against metal machine components causing sparks. Sparks can cause the battery gasses to explode, resulting in personal injury.

- When removing or installing the battery, do not allow the battery terminals to touch any metal parts of the machine.
- Do not allow metal tools to short between the battery terminals and metal parts of the machine.

### ⚠ WARNING

Incorrect battery cable routing could damage the machine and cables causing sparks. Sparks can cause the battery gasses to explode, resulting in personal injury.

- Always Disconnect the negative (black) battery cable before disconnecting the positive (red) cable.
  - Always Reconnect the positive (red) battery cable before reconnecting the negative (black) cable.
1. Disengage the PTO and set the parking brake.
  2. Stop the engine, remove the key, and wait for all moving parts to stop before leaving the operating position.
  3. Disconnect the negative battery cable from the negative (-) battery terminal (Figure 53).
  4. Slide the red terminal boot off the positive (red) battery terminal. Then remove the positive (red) battery cable (Figure 53).
  5. Remove the battery hold down plate (Figure 53) and remove the battery.

## Installing the Battery

1. Place the battery onto the machine (Figure 53).
2. Secure the battery with the hold down plate, j-bolts, and locknuts.
3. First, install the positive (red) battery cable to positive (+) battery terminal with a nut, washer and bolt (Figure 53). Slide the rubber cover over the post.
4. Then install the negative battery cable and ground wire to the negative (-) battery terminal with a nut, washer and bolt (Figure 53).

**Note:** The battery cables will crossover each other when they are correctly installed (Figure 53).



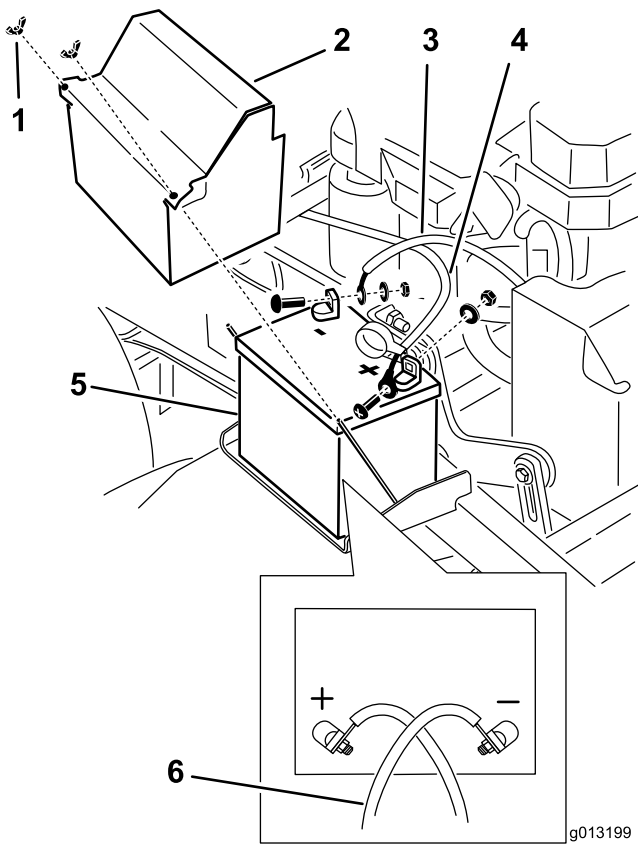


Figure 53

- |                           |  |
|---------------------------|--|
| 1. Wing nut               | 4. Positive battery cable                            |
| 2. Battery cover          | 5. Battery   |
| 3. Negative battery cable | 6. The battery cables cross when installed correctly |

**Note:** Do not run the machine with the battery disconnected, electrical damage may occur.

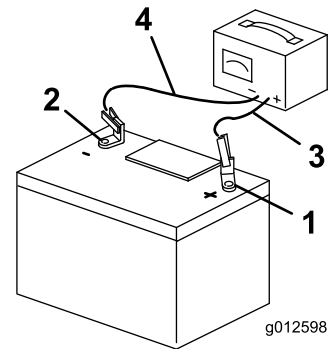


Figure 54

- |                          |                           |
|--------------------------|---------------------------|
| 1. Positive Battery Post | 3. Red (+) Charger Lead   |
| 2. Negative Battery Post | 4. Black (-) Charger Lead |

## Servicing the Fuses

The electrical system is protected by fuses. It requires no maintenance. If a fuse blows, check the component or circuit for a malfunction or short.

1. Release the operator cushion from the rear of the machine.
2. Pull out on the fuse to remove and replace it (Figure 55).
3. Install the operator cushion.

## Charging the Battery

### ⚠ WARNING

Charging the battery produces gasses that can explode.

Never smoke near the battery and keep sparks and flames away from battery.

**Important:** Always keep the battery fully charged (1.265 specific gravity). This is especially important to prevent battery damage when the temperature is below 32°F (0°C).

1. Remove the battery from the chassis; refer to Removing the Battery.
2. Charge battery for 1 hour at 25 to 30 amps or 6 hours at 4 to 6 amps.
3. When the battery is fully charged, unplug the charger from the electrical outlet, then disconnect the charger leads from the battery posts (Figure 54).
4. Install the battery onto the machine and connect the battery cables, refer to Installing the Battery.

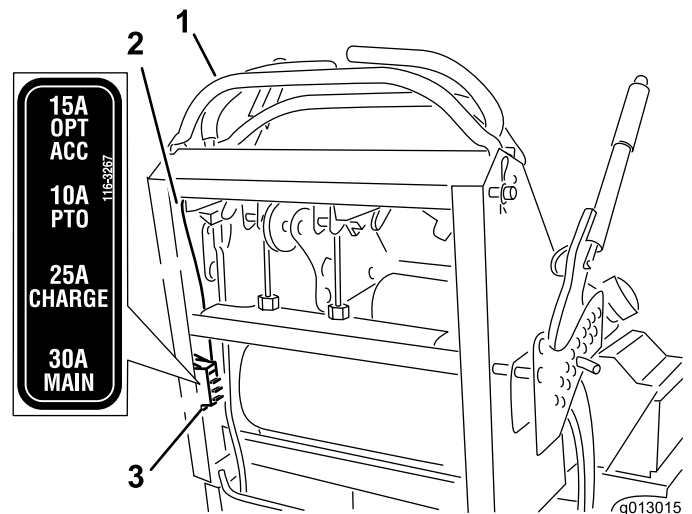


Figure 55

- |             |          |
|-------------|----------|
| 1. Controls | 3. Fuses |
| 2. Wire     |          |

# Drive System Maintenance

## Adjusting the Tracking

**Note:** Determine the left and right sides of the machine from the normal operating position.

1. Push both control levers forward the same distance.
2. Check if the machine pulls to one side. If it does, stop the machine and set the parking brake.
3. Release the cushion from the rear of the machine.
4. Rotate the right cable adjustment to position the right motion control in the center of the control panel neutral lock slot (Figure 57).

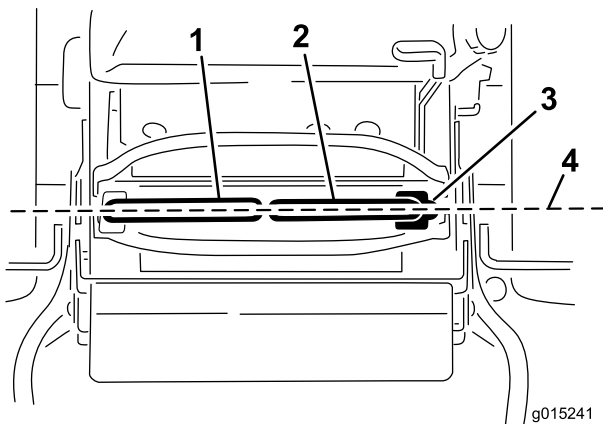


Figure 56

- |                               |   |
|-------------------------------|---|
| 1. Left motion control lever  | 3. Neutral locked position                |
| 2. Right motion control lever | 4. Align the control levers front to back |

5. Rotate the left cable adjustment to match the left wheel speed to the previously set right wheel speed. Adjust in quarter-turn increments until the machine tracks straight.

**Note:** Only adjust the left cable to match the left wheel speed to the right wheel speed. Do not adjust the right wheel speed as this will position the right motion control lever out of the center for the control panel neutral lock slot.

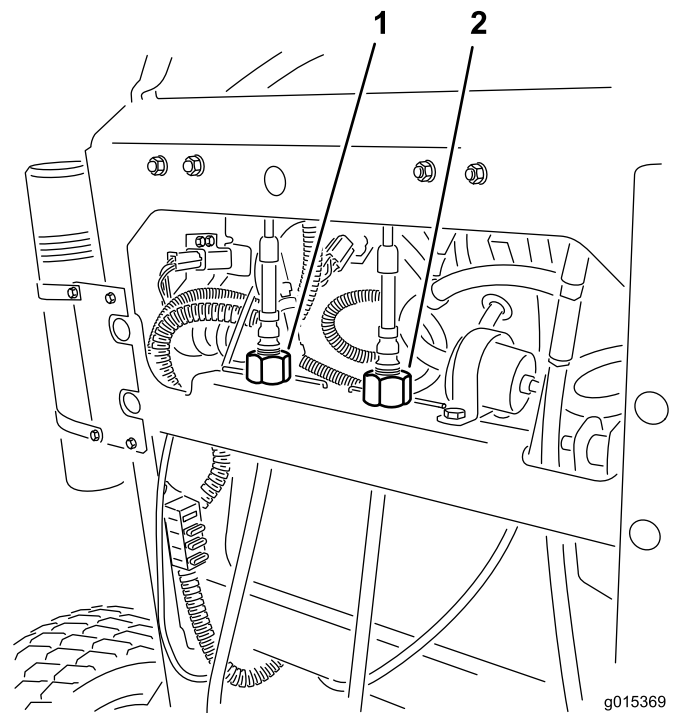


Figure 57

- |                          |                           |
|--------------------------|---------------------------|
| 1. Left cable adjustment | 2. Right cable adjustment |
|--------------------------|---------------------------|

6. Check for proper tracking.

**Note:** If the machine will not start after adjusting the tracking, make sure proximity switch target aligns with bolt attached to motion control lever. Refer to Adjusting the Proximity Switch (page 42).

7. Repeat the cable adjustment until the tracking is correct.
8. Check that the machine does not creep from neutral with the park brakes disengaged.

**Important:** Do Not rotate the linkage too far, as this may cause the machine to creep in neutral.

## Adjusting the Proximity Switch

Use this procedure if the machine will not start after adjusting the tracking.

1. Check and ensure the bolt attached to the motion control lever aligns with the proximity switch target (Figure 58).
2. If needed, loosen the bolts and adjust the proximity switch until the target aligns with bolt attached to the motion control lever (Figure 58).
3. Check the distance of the bolt to the proximity switch. It needs to be between 0.050 and 0.090 inches (1.27 to 2.29 mm) (Figure 58).

4. If adjustment is needed, loosen the jam nut and adjust the bolt to the correct distance. Tighten the jam nut after adjusting the bolt (Figure 58).
5. Test the safety interlock system before operation.

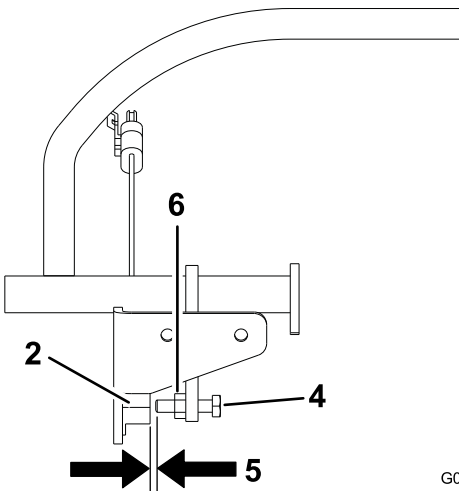
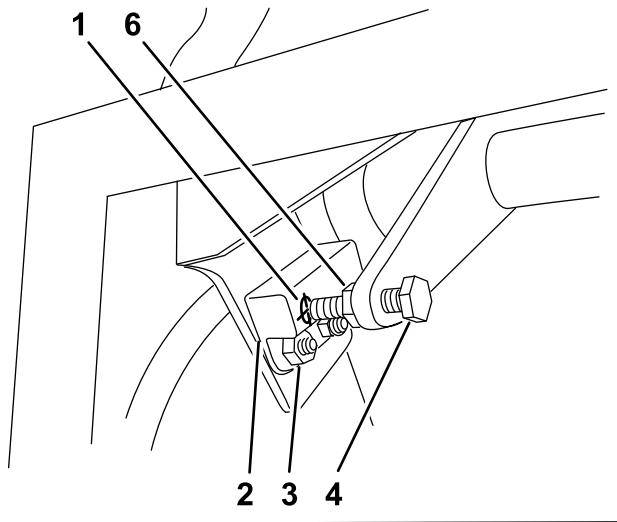
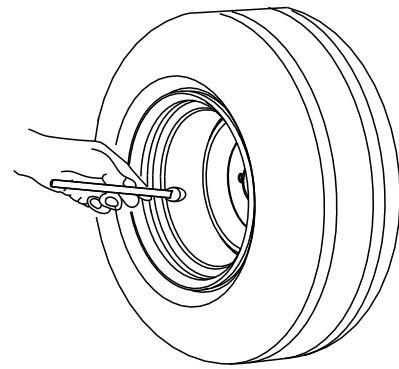


Figure 58

G015609

- |                            |  |
|----------------------------|--|
| 1. Proximity switch target | 4. Bolt attached to the motion control lever                           |
| 2. Proximity switch        | 5. Distance between 0.050 and 0.090 inches (1.27 to 2.29 mm) is needed |
| 3. Bolts and nuts          | 6. Jam nut   |



G001055

Figure 59

## Adjusting the Caster Pivot Bearing

**Service Interval:** Every 500 hours/Yearly (whichever comes first)

1. Disengage the blade control switch (PTO), move the motion control levers to the neutral locked position and set the parking brake.
2. Stop the engine, remove the key, and wait for all moving parts to stop before leaving the operating position.
3. Remove the dust cap from caster and tighten lock nut (Figure 60).
4. Tighten the locknut until the spring washers are flat and then back off a 1/4 turn to properly set the pre-load on the bearings (Figure 60).

**Important:** Make sure spring washers are installed correctly as shown in Figure 60.

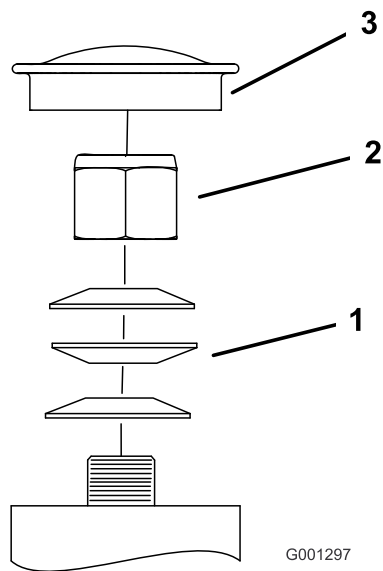
5. Install the dust cap (Figure 60).

## Checking the Tire Pressure

**Service Interval:** Every 50 hours/Monthly (whichever comes first)

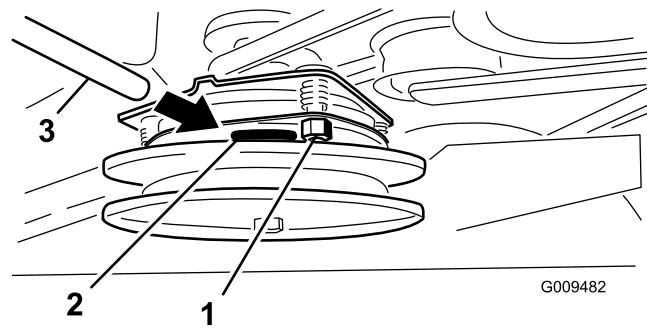
Maintain the air pressure in the rear tires at 12-14 psi (83-97 kPa). Uneven tire pressure can cause an uneven cut.

**Note:** The front tires are semi-pneumatic tires and do not require air pressure maintenance.



**Figure 60**

- |                   |             |
|-------------------|-------------|
| 1. Spring Washers | 3. Dust Cap |
| 2. Lock Nut       |             |



**Figure 61**

- |                  |                 |
|------------------|-----------------|
| 1. Adjusting nut | 3. Feeler gauge |
| 2. Slot          |                 |

## Adjusting the Electric Clutch

**Service Interval:** Every 500 hours—Check the electric clutch.

The clutch is adjustable to ensure proper engagement and proper braking.

1. Insert a 0.015–0.021 inch (0.381–0.533 mm) feeler gauge through one inspection slot in the side of the assembly. Make sure it is between the armature and the rotor friction surfaces.

The gap needs to be at least .015 inches (0.381 mm) and not more than .021 inches (0.533 mm).

2. If adjustment is needed, then set at .015 inches (0.381 mm) for each of the three adjustment slot positions. Tighten the lock nuts until there is slight binding on the feeler gauge but it can be moved easily within the air gap (Figure 61).
3. Repeat this for the remaining slots.
4. Check each slot again and make slight adjustments until the feeler gauge between the rotor and armature with very slight contact between them.

# Cooling System Maintenance

## Cleaning the Air Intake Screen

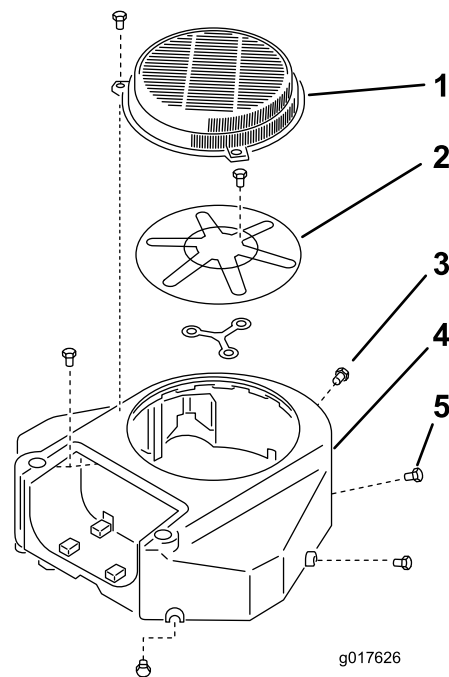
**Service Interval:** Before each use or daily

Before each use remove any build-up of grass, dirt or other debris from the cylinder and cylinder head cooling fins, air intake screen on flywheel end, and carburetor-governor levers and linkage. This will help insure adequate cooling and correct engine speed and will reduce the possibility of overheating and mechanical damage to the engine.

## Cleaning the Cooling System

**Service Interval:** Every 100 hours—Check and clean engine cooling fins and shrouds.

1. Disengage the PTO and set the parking brake.
2. Stop the engine, remove the key, and wait for all moving parts to stop before leaving the operating position.
3. Remove the air intake screen and fan housing (Figure 62).
4. Clean the debris and grass from the engine parts.
5. Install the air intake screen and fan housing (Figure 62).



**Figure 62**

- |                             |                |
|-----------------------------|----------------|
| 1. Guard                    | 4. Fan housing |
| 2. Engine air intake screen | 5. Screw       |
| 3. Bolt                     |                |

# Brake Maintenance

## Servicing the Brake

Before each use, check brakes on both a level surface and slope.

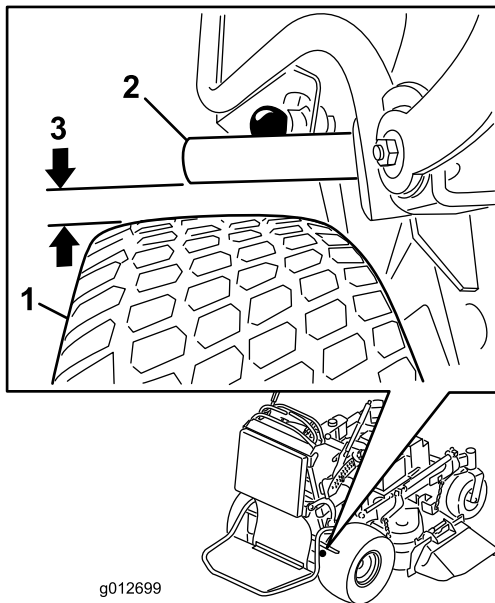
Always set the parking brake when you stop the machine or leave it unattended. If the parking brake does not hold securely, an adjustment is required.

## Checking the Parking Brake

**Service Interval:** Before each use or daily

**Important:** Ensure the mower is on a level surface when checking and adjusting the brake.

1. Park the machine on a level surface, disengage the PTO.
2. Stop the engine, remove the key, and wait for all moving parts to stop before leaving the operating position.
3. Release the parking brake; refer to Releasing the Parking Brake in Operation.
4. With the brake released, measure the distance between the brake bar and the tire. The distance needs be between 3/16 and 5/16 inches (5 and 8 mm) (Figure 63). Refer to Adjusting the Parking Brake when adjustment is needed.



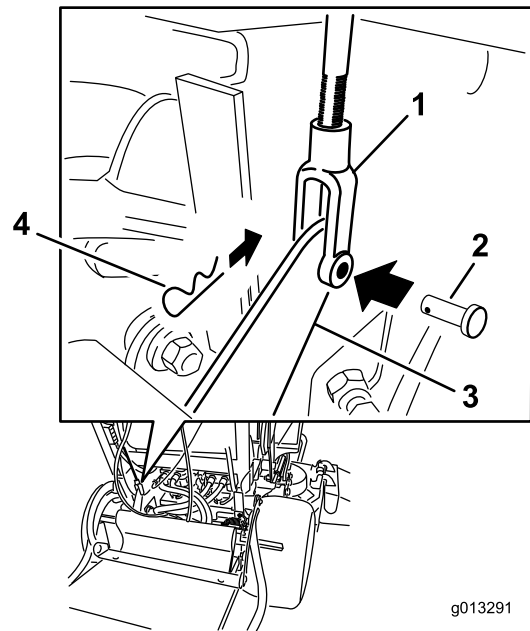
**Figure 63**

1. Tire
2. Brake bar
3. Gap between 3/16 and 5/16 inches (5 and 8 mm)

## Adjusting the Brakes

If the gap between the brake bar and tire is not correct, an adjustment is required.

1. Park the machine on a level surface, disengage the PTO, and set the parking brake.
2. Stop the engine, remove the key, and wait for all moving parts to stop before leaving the operating position.
3. Release the parking brake; refer to Releasing the Parking Brake in Operation.
4. To adjust the brake, remove clevis pin and hairpin cotter pin from the lower brake lever and yoke (Figure 64).
5. Adjust the yoke. The distance between the brake bar and the tire needs be between 3/16 and 5/16 inches (5 and 8 mm). To tighten the brake, rotate the yoke up. To loosen the brake, rotate the yoke down (Figure 63).
6. Check the brake operation again; refer to Checking the Parking Brake.
7. Secure the yoke to lower brake lever with the clevis pin and hairpin cotter pin (Figure 64).



**Figure 64**

1. Yoke
2. Clevis pin
3. Lower brake lever
4. Hairpin cotter pin

# Belt Maintenance

## Checking the Belts

**Service Interval:** Every 100 hours—Check the pump drive belt.

Every 100 hours—Check the mower deck belt(s).

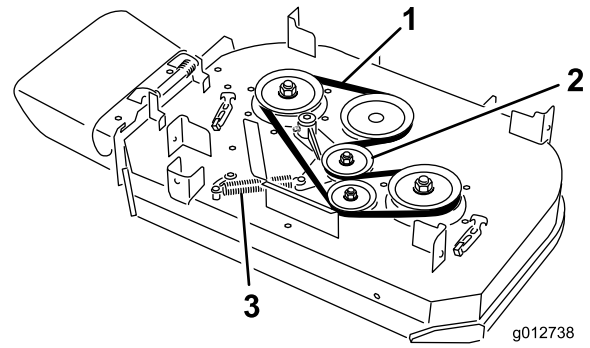
Check belts for cracks, frayed edges, burn marks, wear, signs of overheating or any other damage.

The signs of a worn mower belt are squealing while the belt is rotating, blades slipping while you are cutting grass, frayed belt edges, burn marks, and cracks. Replace the mower belt if you detect any of these signs.

## Replacing the Mower Deck Belt for 91 cm Mowers

**Important:** The fasteners on the covers of this machine are designed to remain on the cover after removal. Loosen all of the fasteners on each cover a few turns so that the cover is loose but still attached, then go back and loosen them until the cover comes free. This will prevent you from accidentally stripping the bolts free of the retainers.

1. Disengage the PTO and set the parking brake.
2. Stop the engine, remove the key, and wait for all moving parts to stop before leaving the operating position.
3. Loosen the bolts and remove the right belt cover with the bolt attached to it.
4. Remove the spring from the anchor post on the idler pulley arm (Figure 65).
5. Remove the worn mower belt (Figure 65).
6. Install the new mower belt around the clutch pulley, deck pulleys and idler pulley (Figure 65).
7. Install the spring onto the anchor post on the idler pulley arm (Figure 65).
8. Install the belt cover onto the cutting unit and secure the bolt.



**Figure 65**

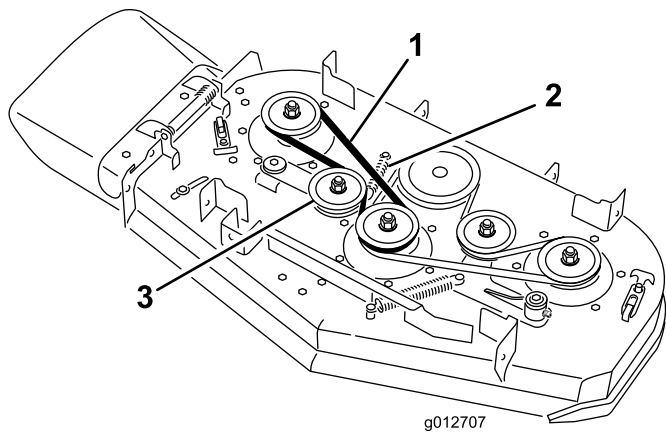
1. Belt
2. Spring loaded idler pulley
3. Spring

## Replacing the Mower Deck Belts for 102 cm Mowers

**Important:** The fasteners on the covers of this machine are designed to remain on the cover after removal. Loosen all of the fasteners on each cover a few turns so that the cover is loose but still attached, then go back and loosen them until the cover comes free. This will prevent you from accidentally stripping the bolts free of the retainers.

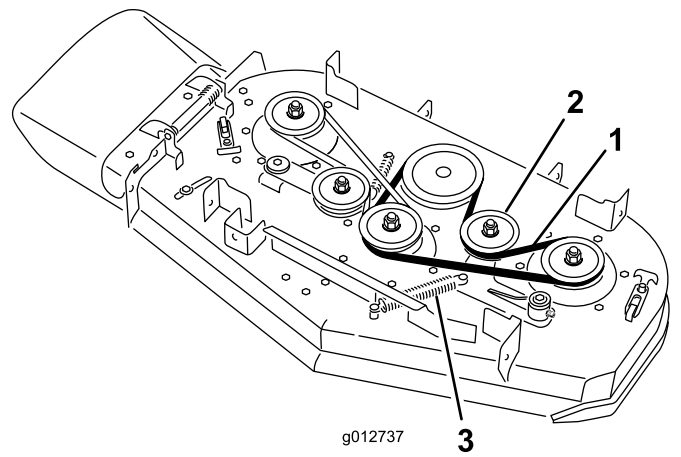
## Replacing the Right Mower Deck Belt

1. Disengage the PTO and set the parking brake.
2. Stop the engine, remove the key, and wait for all moving parts to stop before leaving the operating position.
3. Loosen the bolts and remove the belt covers with the bolts attached to them.
4. Remove the spring from the anchor post on the idler pulley arm (Figure 65).
5. Remove the worn mower belt (Figure 65).
6. Install the new mower belt around the deck pulleys and idler pulley (Figure 65).
7. Install the spring onto the anchor post on the idler pulley arm (Figure 65).
8. Install the belt covers onto the cutting unit and secure the bolts.



**Figure 66**

- 1. Belt
- 2. Spring
- 3. Spring loaded idler pulley



**Figure 67**

- 1. Belt
- 2. Spring loaded idler pulley
- 3. Spring

## Replacing the Left Mower Deck Belt

1. Disengage the PTO and set the parking brake.
2. Stop the engine, remove the key, and wait for all moving parts to stop before leaving the operating position.
3. Loosen the bolts and remove the belt covers with the bolts attached to them.
4. To remove the left mower belt, the right mower belt needs to be removed first. Refer to Replacing the Right Mower Belt.
5. Remove the spring from the anchor post on the idler pulley arm (Figure 65).
6. Remove the worn mower belt (Figure 65).
7. Install the new mower belt around the deck pulleys, clutch pulley and idler pulley (Figure 65).
8. Install the spring onto the anchor post (Figure 65).
9. Install the right mower belt. Refer to Replacing the Right Mower Belt.
10. Install the belt covers onto the cutting unit and secure the bolts.

## Replacing the Pump Drive Belt

1. Disengage the PTO and set the parking brake.
2. Stop the engine, remove the key, and wait for all moving parts to stop before leaving the operating position.
3. Remove the mower deck belt from the clutch on 30in mower decks or remove the left mower belt from the clutch for 40in mower decks. Refer to Replacing the Mower Deck Belts.
4. Tilt the machine on it's back. Refer to Pre-Maintenance at the beginning of the Maintenance Section.
5. Unhook the idler spring from the frame (Figure 68).
6. Install the new belt around engine pump drive pulley and the two pump pulleys.
7. Install the idler spring to the frame (Figure 68).



# Controls System Maintenance

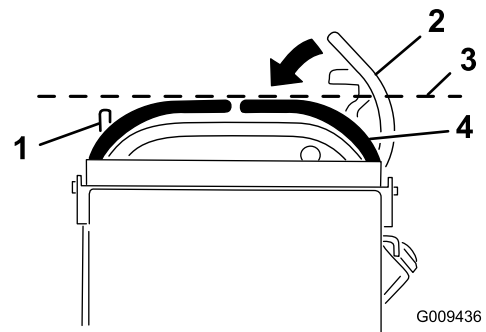
## Adjusting the Motion Control Handle Positions

### Adjusting the Right Side Motion Control Lever

If the motion control levers do not align horizontally, adjust the right side motion control lever.

**Note:** Adjust the horizontal alignment before the front to back alignment.

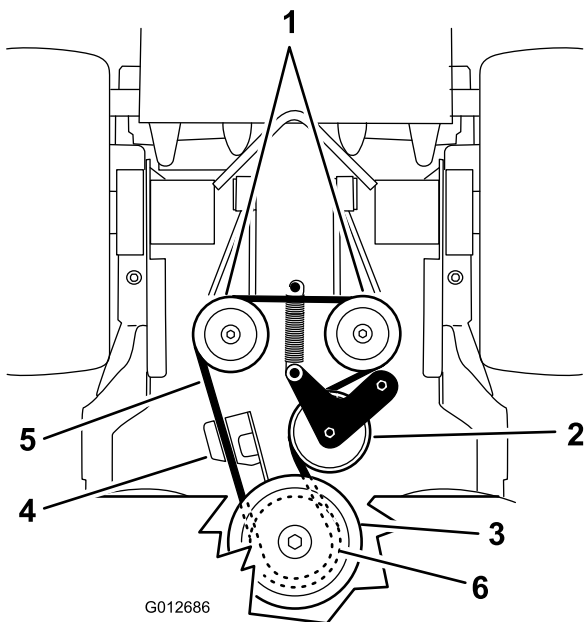
1. Disengage the PTO, move the right side motion control lever to the neutral position and set the parking brake.
2. Stop the engine, remove the key, and wait for all moving parts to stop before leaving the operating position.
3. Push the right motion control lever down out of locked neutral position (Figure 69).
4. Check if it aligns horizontally with the left motion control lever (Figure 69).



**Figure 69**

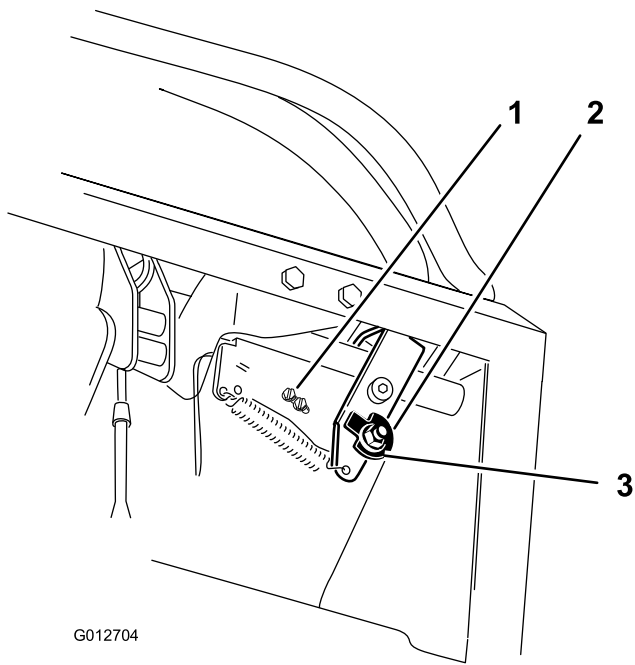
- |                               |  |
|-------------------------------|--|
| 1. Left motion control lever  | 3. Check the horizontal alignment here                   |
| 2. Right motion control lever | 4. Right motion control lever in neutral locked position |

5. To adjust the right motion control lever horizontally, the cam needs to be adjusted.
6. Remove the cushion from the rear of the machine.
7. Loosen the nut holding the cam (Figure 70).
8. Adjust the cam until the right motion control lever aligns with the left motion control lever and tighten the nut and bolt for the cam.



**Figure 68**

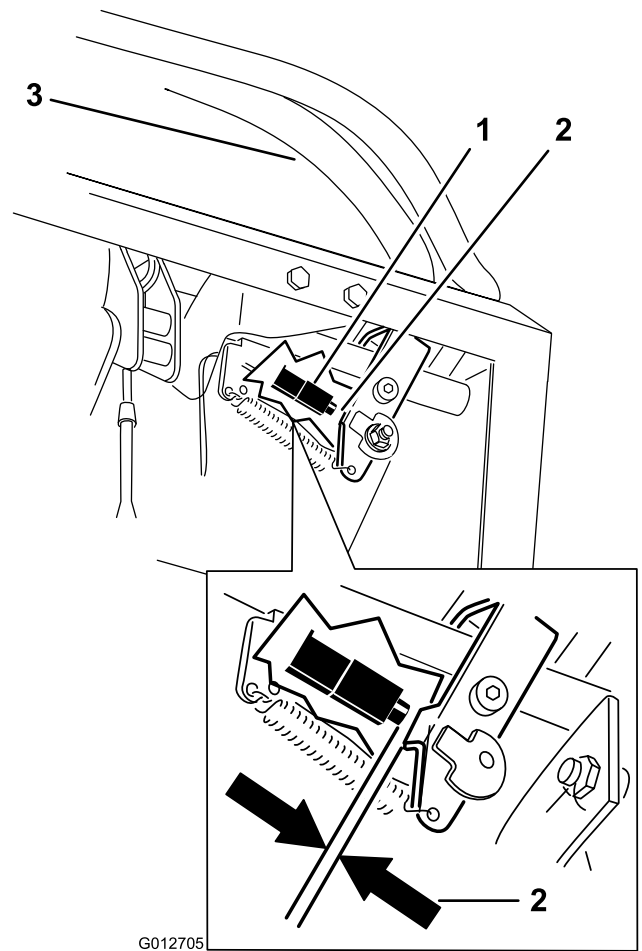
- |                    |                      |
|--------------------|----------------------|
| 1. Hydraulic pumps | 4. Clutch retainer   |
| 2. Idler pulley    | 5. Pump drive belt   |
| 3. Clutch pulley   | 6. Pump drive pulley |
- 
8. Lower the machine to the operating position. Refer to PreMaintenance at the beginning of the Maintenance Section.
  9. Install the mower deck belt to the clutch on 30in mower decks or install the left mower belt install the clutch for 40in mower decks. Refer to Replacing the Mower Deck Belts.



**Figure 70**

- 1. Switch screws
- 2. Cam
- 3. Nut

9. After the cam is adjusted, the lever switch needs to be checked.
10. Check the gap between the control lever and switch as shown in Figure 71. The gap needs to be an 1/8 inch (3mm) with the right motion control lever in the neutral, unlocked position.
11. If needed, loosen the screws holding the switch and adjust the switch (Figure 70 and Figure 71).



**Figure 71**

- 1. Switch (on front side)
- 2. 1/8 inch (3mm)
- 3. Right motion control lever in the neutral unlocked position

12. Tighten the switch screws.

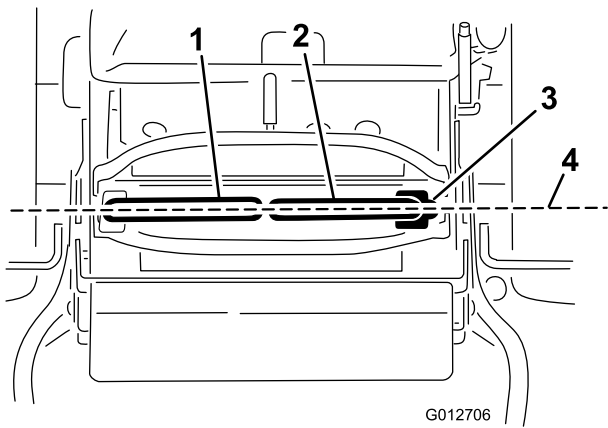
## Adjusting the Neutral Position for the Motion Control Levers

**Important:** Ensure the tracking of the mower is correct after adjusting the motion control levers. Adjusting the tracking and aligning the motion control levers front to back is the same procedure (Figure 72).

**Note:** Adjust the horizontal alignment before the front to back alignment.

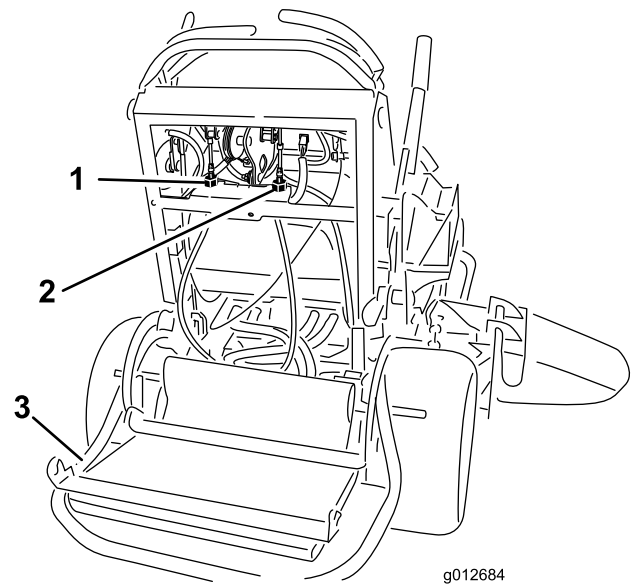
If the motion control levers do not align front to back, or the right side control lever does not move easily into the neutral lock position, adjustment is required.

1. After the horizontal alignment is finished, check the front to back alignment by slightly pushing the control levers forward to take up any slack in the linkage for the control levers (Figure 72).



**Figure 72**

- |                               |   |
|-------------------------------|---|
| 1. Left motion control lever  | 3. Neutral locked position                |
| 2. Right motion control lever | 4. Align the control levers front to back |



**Figure 73**

- |                           |                  |
|---------------------------|------------------|
| 1. Left cable adjustment  | 3. Platform down |
| 2. Right cable adjustment |                  |

- 
2. Ensure the right motion control lever moves easily into the neutral lock position.

**Note:** Turn the cable adjustment clockwise to move the motion control handle forward. Turn the cable adjustment counter-clockwise to move the motion control handle rearward.

3. Rotate the cable adjustment on right side when adjustment is needed. Adjust the cable adjustment in quarter-turn increments.
4. After the right motion control lever moves easily into the neutral lock position, adjust the left motion control lever to align with the right motion control lever.
5. Check for proper tracking. Refer to Adjusting the Tracking in the Maintenance Section.

# Hydraulic System Maintenance

## Servicing the Hydraulic System

**Hydraulic Oil Type:** Toro® HYPR-OIL™ 500 hydraulic oil or Mobil® 1 15W-50 synthetic motor oil.

**Important:** Use oil specified or equivalent. Other fluids could cause system damage.

**Hydraulic System Oil Capacity:** 67 oz. (2.0 l)

## Checking the Hydraulic Fluid

**Service Interval:** After the first 8 hours  
Every 50 hours

**Hydraulic Oil Type:** Toro® HYPR-OIL™ 500 hydraulic oil or Mobil® 1 15W-50 synthetic motor oil.

**Important:** Use oil specified or equivalent. Other fluids could cause system damage.

**Hydraulic System Oil Capacity:** 67 oz. (2.0 l)

**Note:** There are two ways of checking the hydraulic oil. One is when the oil is warm and one is when the oil is cold. The baffle inside the tank has two levels depending if the oil is warm or cold.

1. Position machine on a level surface.
2. Disengage the power take off (PTO) and shut off the engine.
3. Wait for all moving parts to stop before leaving the operating position and then set the parking brake.
4. Clean area around cap and filler neck of hydraulic tank (Figure 74).

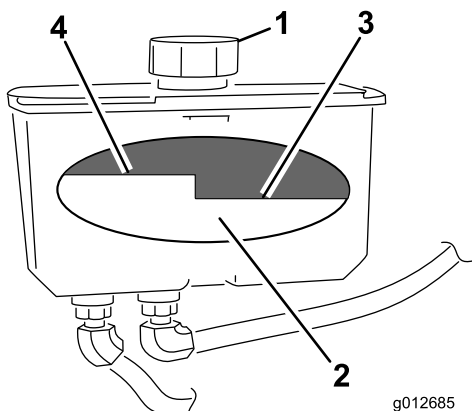


Figure 74

- |           |                          |
|-----------|--------------------------|
| 1. Cap    | 3. Cold fluid level-full |
| 2. Baffle | 4. Hot fluid level-full  |

5. Remove cap from filler neck. Look inside to check the fluid level in the reservoir. (Figure 74).
  6. Add fluid to the reservoir until it reaches the cold level of the baffle.
  7. Run the machine at low idle for 15 minutes to allow any air to purge out of the system and warm fluid. Refer to Starting and Stopping the Engine.
  8. Recheck the fluid level while the fluid is warm. If required, add fluid to the reservoir until it reaches the hot level of the baffle.
- Note:** The fluid level should be to the top of the hot level of the baffle, when the fluid is warm (Figure 74).
9. Install cap on filler neck.

### ▲ WARNING

Hydraulic fluid escaping under pressure can penetrate skin and cause injury.

- If hydraulic fluid is injected into the skin it must be surgically removed within a few hours by a doctor familiar with this type of injury. Gangrene may result if this is not done.
- Keep body and hands away from pin hole leaks or nozzles that eject high pressure hydraulic fluid.
- Use cardboard or paper to find hydraulic leaks.
- Safely relieve all pressure in the hydraulic system before performing any work on the hydraulic system.
- Make sure all hydraulic fluid hoses and lines are in good condition and all hydraulic connections and fittings are tight before applying pressure to hydraulic system.

## Replacing the Hydraulic Fluid

**Service Interval:** Every 250 hours—Change the hydraulic oil when using Mobil® 1 oil.  
Every 500 hours—Change the hydraulic oil when using Toro® HYPR-OIL™ 500 hydraulic oil.

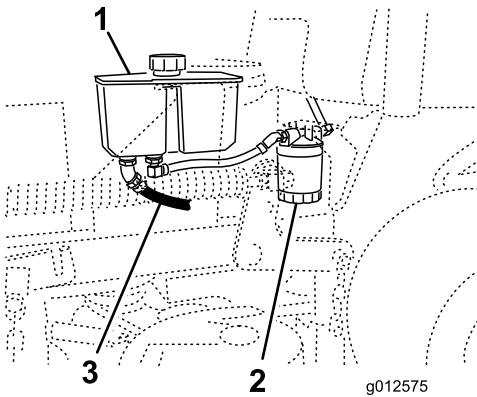
### ▲ WARNING

Hot hydraulic fluid can cause severe burns.

Allow the hydraulic fluid to cool before performing any maintenance to the hydraulic system.

1. Disengage the PTO and set the parking brake.
2. Stop the engine and wait for all moving parts to stop before leaving the operating position.

3. Remove hydraulic reservoir cap.
4. Locate the front hydraulic hose under the hydraulic tank and place drain pan under the tank (Figure 75).
5. Loosen the hose clamp and move it down the hose.
6. Remove the front hydraulic hose and allow the fluid to run out of the tank.



**Figure 75**

- |                     |                         |
|---------------------|-------------------------|
| 1. Hydraulic tank   | 3. Front hydraulic hose |
| 2. Hydraulic filter |                         |

7. Change the hydraulic filter. Refer to Replacing the Hydraulic Filter.
8. Connect the hydraulic hose under the tank.
9. Add fluid to the tank until it reaches the cold baffle of the tank.

**Important:** Use oil specified or equivalent. Other fluids could cause system damage.

10. Install the hydraulic tank cap.
11. Start engine and let run for about two minutes to purge air from the system. Stop the engine and check for leaks. If one or both wheels will not drive, refer to Bleeding Hydraulic System.
12. Check the level of the fluid and add fluid, if required.  
**Do not overfill.**

## Replacing the Hydraulic Filter

**Service Interval:** After the first 8 hours

Every 500 hours/Yearly (whichever comes first)

### **⚠ WARNING**

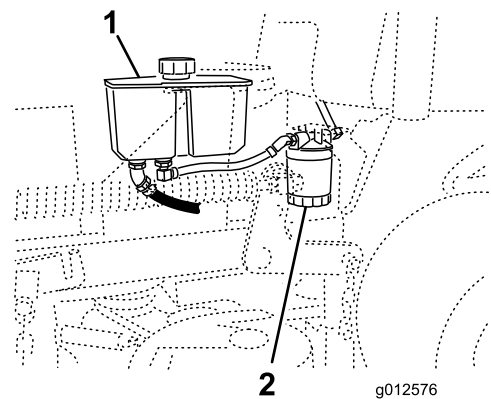
**Hot hydraulic fluid can cause severe burns.**

**Allow the hydraulic fluid to cool before performing any maintenance to the hydraulic system.**

1. Disengage the PTO and set the parking brake.
2. Stop the engine and wait for all moving parts to stop before leaving the operating position.

**Important:** Do not substitute automotive oil filter or severe hydraulic system damage may result.

3. Locate the filter and place drain pan under filter (Figure 76).



**Figure 76**

- |                   |                     |
|-------------------|---------------------|
| 1. Hydraulic tank | 2. Hydraulic filter |
|-------------------|---------------------|

4. Remove the old filter and wipe the filter adapter gasket surface clean (Figure 77).
5. Apply a thin coat hydraulic fluid to the rubber gasket on the replacement filter.
6. Install replacement hydraulic filter onto the filter adapter. Turn the oil filter clockwise until the rubber gasket contacts the filter adapter, then tighten the filter an additional 1/2 turn (Figure 77).

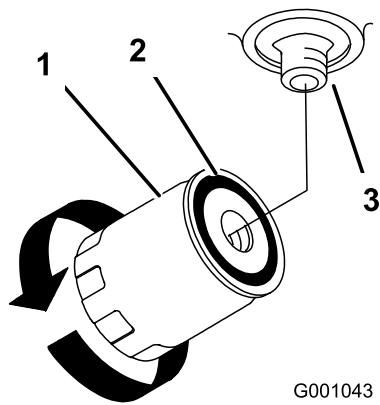


Figure 77

G001043

- |                     |            |
|---------------------|------------|
| 1. Hydraulic filter | 3. Adapter |
| 2. Gasket           |            |

## Checking the Hydraulic Lines

**Service Interval:** Every 100 hours

Check hydraulic hoses and hoses for leaks, loose fittings, kinked hoses, loose mounting supports, wear, weather and chemical deterioration. Make necessary repairs before operating.

**Note:** Keep areas around hydraulic system clean from grass and debris build up.

### **▲ WARNING**

Hydraulic fluid escaping under pressure can penetrate skin and cause injury.

- If hydraulic fluid is injected into the skin it must be surgically removed within a few hours by a doctor familiar with this type of injury. Gangrene may result if this is not done.
- Keep body and hands away from pin hole leaks or nozzles that eject high pressure hydraulic fluid.
- Use cardboard or paper to find hydraulic leaks.
- Safely relieve all pressure in the hydraulic system before performing any work on the hydraulic system.
- Make sure all hydraulic fluid hoses and hoses are in good condition and all hydraulic connections and fittings are tight before applying pressure to hydraulic system.

- Clean up any spilled fluid.
- Check the fluid in the reservoir, add fluid to the tank until it reaches the cold baffle of the tank.

**Important:** Use oil specified or equivalent. Other fluids could cause system damage.

- Start engine and let run for about two minutes to purge air from the system. Stop the engine and check for leaks. If one or both wheels will not drive, refer to Bleeding Hydraulic System.
- Recheck level and add fluid, if required. **Do not overfill.**

## Bleeding the Hydraulic System

The traction system is self bleeding, however, it may be necessary to bleed the system if fluid is changed or after work is performed on the system.

- Disengage the PTO and set the parking brake.
- Stop the engine and wait for all moving parts to stop before leaving the operating position.
- Raise the rear of the machine up onto jack stands high enough to raise the drive wheels off the ground.
- Start the engine and move the throttle control to idle position.

If the drive wheel does not rotate, it is possible to assist the purging of the system by carefully rotating the tire in the forward direction.

- Check the hydraulic fluid level as it drops add fluid as required to maintain the proper level.
- Repeat this procedure for the opposite wheel.
- Thoroughly clean the area around each of the charge pump housings.

# Mower Deck Maintenance

## Servicing the Cutting Blades

To ensure a superior quality of cut, keep the blades sharp. For convenient sharpening and replacement, you may want to keep extra blades on hand.

### ⚠ WARNING

A worn or damaged blade can break, and a piece of the blade could be thrown into the operator's or bystander's area, resulting in serious personal injury or death.

- Inspect the blades periodically for wear or damage.
- Replace a worn or damaged blade.

## Before Inspecting or Servicing the Blades

Park the machine on a level surface, disengage the blades and set the parking brake. Turn the ignition key to off. Remove the key and disconnect the spark plug wires from the spark plugs.

## Inspecting the Blades

**Service Interval:** Before each use or daily

1. Inspect the cutting edges (Figure 78). If the edges are not sharp or have nicks, remove and sharpen the blades. Refer to Sharpening the Blades.
2. Inspect the blades, especially the curved area. If you notice any cracks, wear, or a slot forming in this area immediately install a new blades (Figure 78).

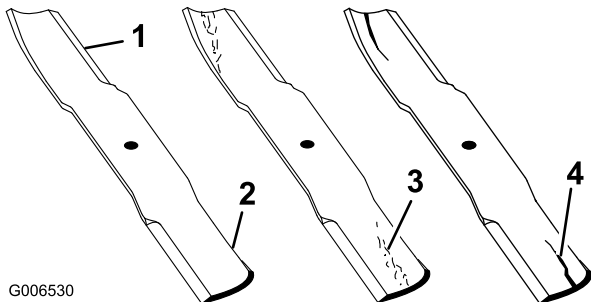


Figure 78

1. Cutting Edge
2. Curved Area
3. Wear/slot Forming
4. Crack

## Checking for Bent Blades

1. Disengage the PTO, move the motion control levers to the neutral locked position and set the parking brake.
2. Stop the engine, remove the key, and wait for all moving parts to stop before leaving the operating position.
3. Rotate the blades until the ends face forward and backward. Measure from a level surface to the cutting edge, position A, of the blades (Figure 79). Note this dimension.

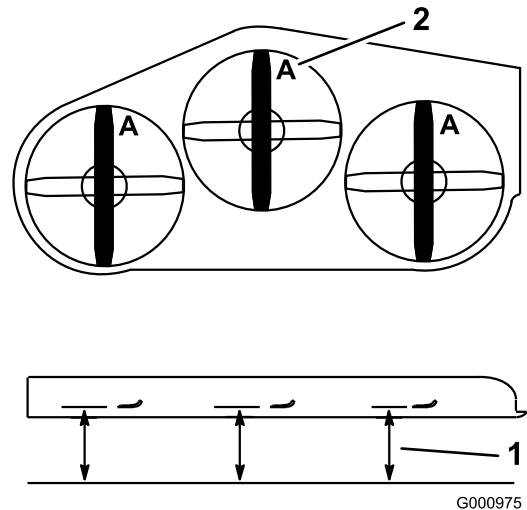


Figure 79

1. Measure here from blade
2. Position A to hard surface

4. Rotate the opposite ends of the blades forward.
5. Measure from a level surface to the cutting edge of the blades at the same position as in step 3 above. The difference between the dimensions obtained in steps 3 and 4 must not exceed 1/8 inch (3 mm). If this dimension exceeds 1/8 inch (3 mm), the blade is bent and must be replaced; refer to Removing the Blades and Installing the Blades.

### ⚠ WARNING

A blade that is bent or damaged could break apart and could seriously injure or kill you or bystanders.

- Always replace bent or damaged blade with a new blade.
- Never file or create sharp notches in the edges or surfaces of blade.

## Removing the Blades

Blades must be replaced if a solid object is hit, if the blade is out of balance or is bent. To ensure optimum performance and continued safety conformance of

the machine, use genuine Toro replacement blades. Replacement blades made by other manufacturers may result in non-conformance with safety standards.

1. Hold the blade end using a rag or thickly-padded glove.
2. Remove the blade bolt, curved washer, and blade from the spindle shaft (Figure 80).

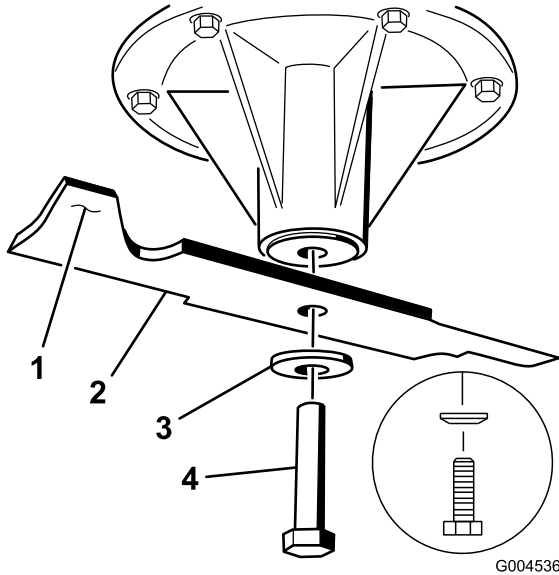


Figure 80

- |                       |                  |
|-----------------------|------------------|
| 1. Sail Area of Blade | 3. Curved washer |
| 2. Blade              | 4. Blade Bolt    |

## Sharpening the Blades

1. Use a file to sharpen the cutting edge at both ends of the blade (Figure 81). Maintain the original angle. The blade retains its balance if the same amount of material is removed from both cutting edges.

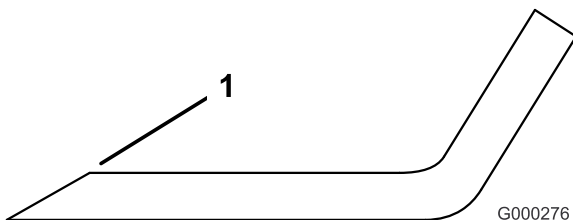


Figure 81

1. Sharpen at original angle
2. Check the balance of the blade by putting it on a blade balancer (Figure 82). If the blade stays in a horizontal position, the blade is balanced and can be used. If the blade is not balanced, file some metal off the end of the sail area only (Figure 80). Repeat this procedure until the blade is balanced.

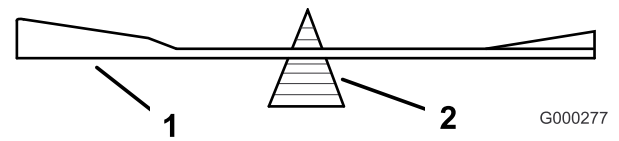


Figure 82

- |          |             |
|----------|-------------|
| 1. Blade | 2. Balancer |
|----------|-------------|

## Installing the Blades

1. Install the blade onto the spindle shaft (Figure 83).

**Important:** The curved part of the blade must be pointing upward toward the inside of the mower to ensure proper cutting.

2. Install the spring disk and blade bolt. The spring disk cone must be installed toward the bolt head (Figure 83). Torque the blade bolt to 85-110 ft-lb (115-150 N-m).

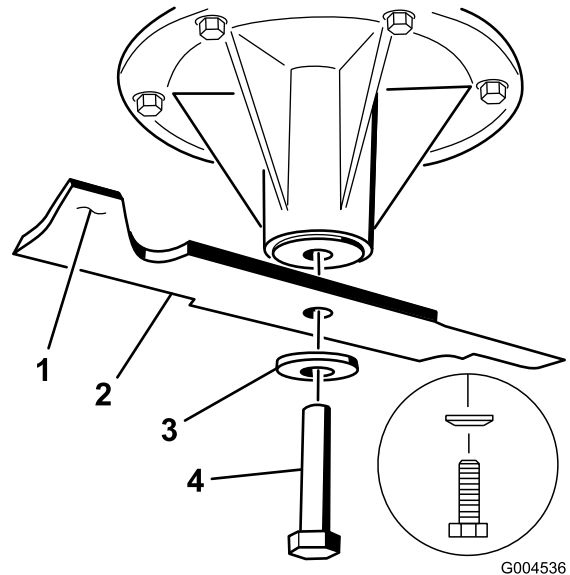


Figure 83

- |                       |                           |
|-----------------------|---------------------------|
| 1. Sail Area of Blade | 4. Blade Bolt             |
| 2. Blade              | 5. Cone Towards Bolt Head |
| 3. Spring Disk        |                           |

## Leveling the Mower

### Preparing the Machine

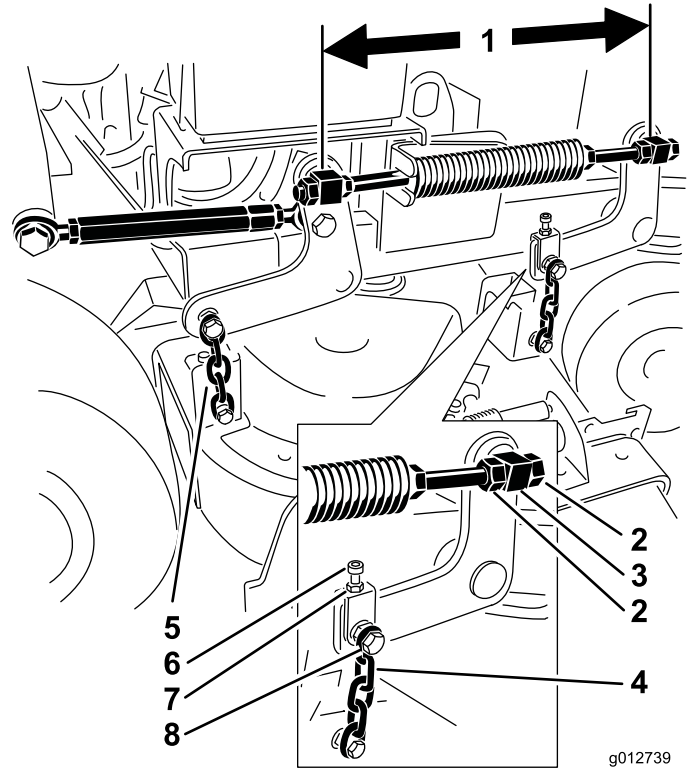
1. Position mower on a flat surface.
2. Disengage the PTO, move the motion control levers to the neutral locked position and set the parking brake.
3. Stop the engine, remove the key, and wait for all moving parts to stop before leaving the operating position.



4. Check the tire pressure of both drive tires. If needed, adjust to 13 psi (90 kPa)
5. Lower the mower to the 3 inch (76 mm) height-of-cut position.

**Note:** The actual cutting height will not be adjusted until the deck has been leveled. Refer to Adjusting Height of Cut.

6. Check the distance between the swivels, measure at the center of the swivels (center-to-center length) on the threaded rod. This length needs to be 19-1/2 inches (49.5 cm) for 91 cm mower decks and 17-3/16 inches (43.7 cm) for 102 cm mower decks (Figure 84).
7. Inspect the four chains. The chains need to have tension.
8. If either rear chain is loose, the length of the threaded rod on that side will need to be adjusted to get equal tension on both rear chains.
9. Use the jam nuts at the front swivel to adjust the length between front and rear swivels on that side (Figure 84).
10. If either front chain is loose, loosen the nut on the upper chain bolt and the jam nut on the adjustment bolt.
11. Use the adjustment bolt to get equal tension on both front chains (Figure 84).
12. Tighten the nut on the upper chain bolt and the jam nut on the adjustment bolt.



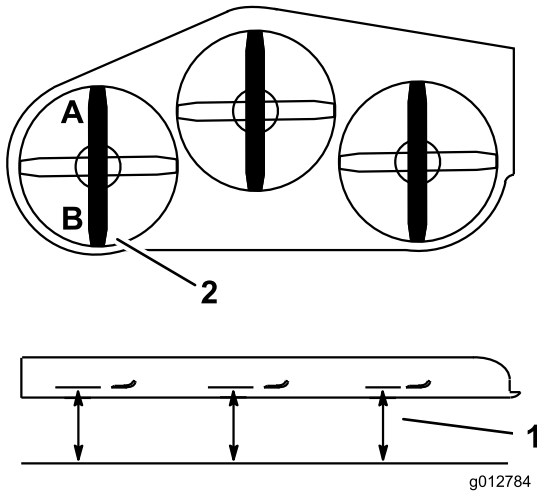
**Figure 84**

- |  |                     |
|--|---------------------|
| 1. Measure here at the center of the swivels (center-to-center length) | 5. Rear chain       |
| 2. Swivel jam nuts   | 6. Adjustment bolt  |
| 3. Front swivel  | 7. Jam Nut          |
| 4. Front chain   | 8. Upper chain bolt |

## Adjusting the Left Side Front-to-Rear Mower Pitch

1. Position the left blade front-to-rear
2. Measure the left blade at the **A** location, from a level surface to the cutting edge of the blade tip and record this measurement (Figure 85).
3. Measure the left blade at the **B** location, from a level surface to the cutting edge of the blade tip and record this measurement (Figure 85).
4. The mower blade should be a 1/4 to 3/8 inch (6 to 10 mm) lower at position **A** than at position **B** (Figure 85). If it is not correct, proceed to the following steps.
5. Loosen the nut on the upper chain bolt and the jam nut on the adjustment bolt (Figure 84).

- Use the adjustment bolt to achieve 1/4 to 3/8 inch (6 to 10 mm) lower in front at **A** than in the rear at **B** (Figure 84).
- Tighten the nut on the upper chain bolt and the jam nut on the adjustment bolt.

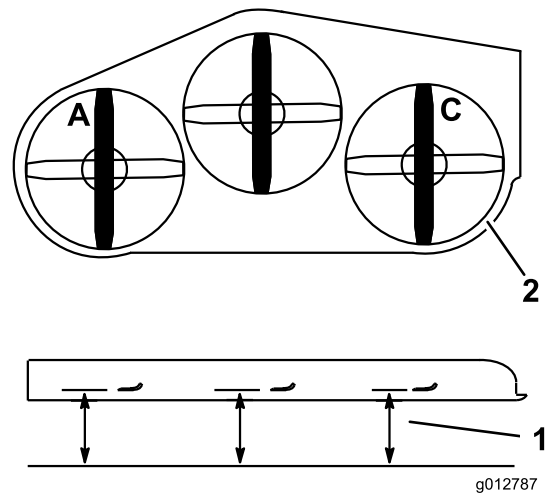


**Figure 85**

- Measure here from the blade to a hard surface
- Measure at A and B

## Leveling the Mower Side-to-Side

- Position the left blade front-to-rear (Figure 86).
- Measure the left blade at the **A** location, from a level surface to the cutting edge of the blade tip and record this measurement (Figure 86).
- Position the right blade front-to-rear (Figure 86).
- Measure the right blade at the **C** location, from a level surface to the cutting edge of the blade tip and record this measurement (Figure 86).
- The measurement between location **A** and **C** needs to be within 1/8 inch. If it is not correct, adjust the front chain at location **C** to achieve the correct height.

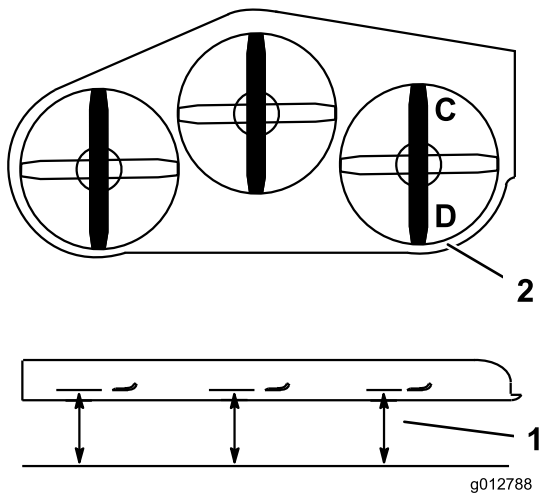


**Figure 86**

- Measure here from blade to hard surface
- Measure at A and C

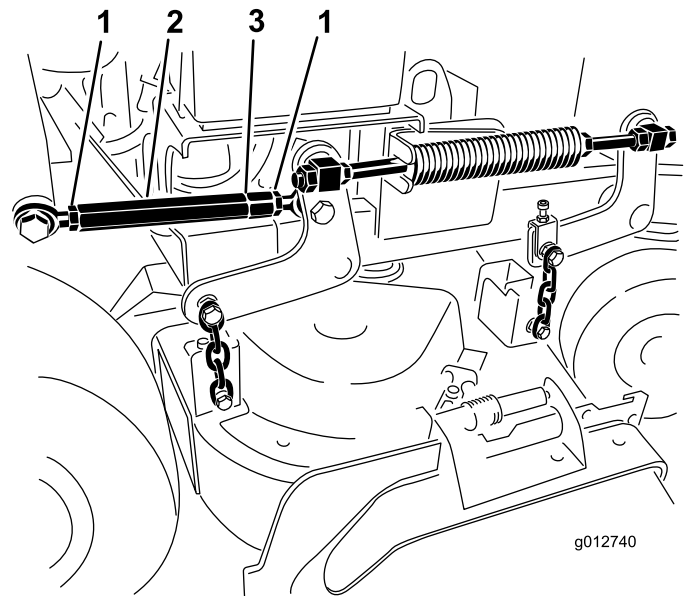
## Adjusting the Right Side Front-to-Rear Mower Pitch

- Position the right blade front-to-rear (Figure 87).
- Measure the right blade at the **C** location, from a level surface to the cutting edge of the blade tip and record this measurement (Figure 87).
- Measure the right blade at the **D** location, from a level surface to the cutting edge of the blade tip and record this measurement (Figure 87).
- The mower blade should be a 1/4 to 3/8 inch (6 to 10 mm) lower at position **C** than at position **D** (Figure 87). If it is not correct, proceed to the following steps.
- The length of the threaded rod on the right side will need to be adjusted to achieve proper front-to-rear pitch.
- Use the jam nuts at the front swivel to adjust the length between front and rear swivels on that side.
- Check to make sure there is equal tension on all four chains. To get equal tension on all four chains, make minor adjustments to maintain proper deck pitch.



**Figure 87**

1. Measure here from blade to hard surface
2. Measure at C and D



**Figure 88**

1. Jam nut
2. Turnbuckle
3. Groove indicating left hand threads

## Adjusting the Height of Cut

1. Lower the mower to the 3 inch (76 mm) height-of-cut position.
2. Position the left blade front-to-rear (Figure 86).
3. Measure the left blade at the **A** location, from a level surface to the cutting edge of the blade tip and record this measurement (Figure 86).
4. Position the right blade front-to-rear (Figure 86).
5. Measure the right blade at the **C** location, from a level surface to the cutting edge of the blade tip and record this measurement (Figure 86).
6. The measurement between location **A** and **C** needs to be within an 1/8 inch of the 3 inch (76mm) height-of-cut setting. If it is not correct, proceed to the following steps.
7. Loosen the jam nuts at both ends of the turnbuckle (Figure 88).

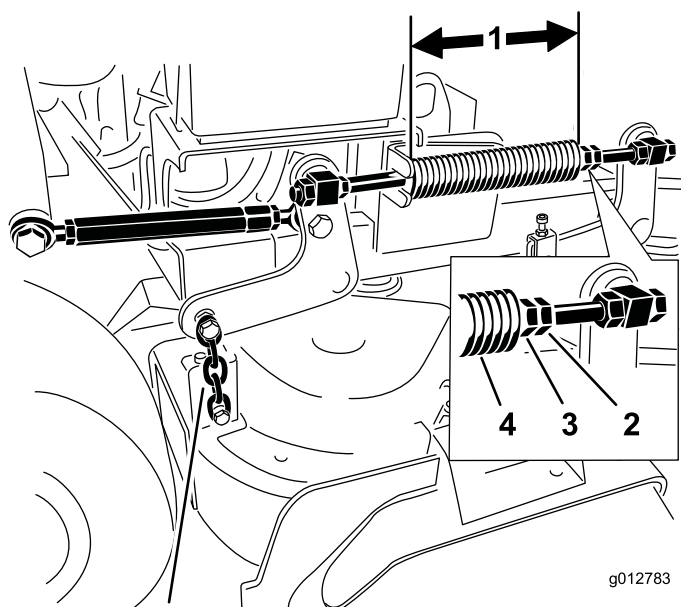
**Note:** The end of the turnbuckle with the groove machined in it has left hand threads (Figure 88).

8. Adjust the turnbuckle to raise or lower the deck height to achieve 3 inches at locations **A** and **C**.
9. Tighten the jam nuts at both ends of the turnbuckle.

## Adjusting the Compression Spring

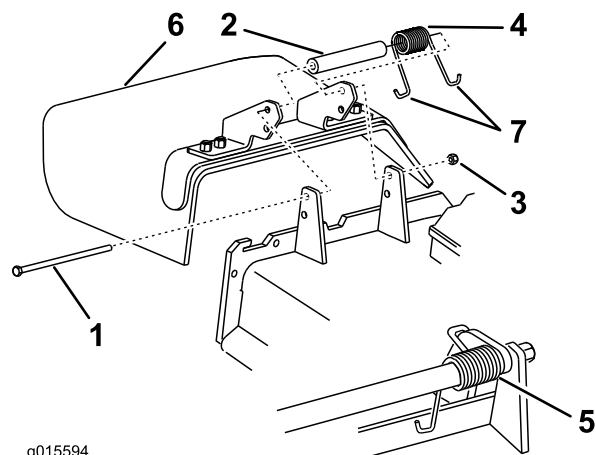
**Note:** Adjusting the compression spring will alter how much the deck will float and how much effort it takes to lift the deck when using the height-of-cut handle.

- More spring compression will reduce the handle lift force required and cause the deck to float more.
  - Less spring compression will increase the handle lift force required and cause the deck to float less.
1. Raise the deck lift lever and lock into the transport position.
  2. Check the length of the compression spring. Nominal length is 11-1/8 inches (28.2 cm) for 91 cm mower decks and 10-1/8 inches (25.7 cm) for 102 cm mower decks (Figure 89).
  3. Adjust this distance, by loosening the spring jam nut and turning the nut in front of each spring (Figure 89).
  4. Lock the nut into position by tightening the spring jam nut (Figure 89).



**Figure 89**

- |  |                       |
|--|-----------------------|
| 1. 10-1/8 inch (25.7 cm) for<br>102 cm mower decks and<br>11-1/8 inch (28.2 cm) for<br>91 cm mower decks | 3. Front nut          |
| 2. Spring jam nut  | 4. Compression spring |



**Figure 90**

- |            |                         |
|------------|-------------------------|
| 1. Bolt    | 5. Spring installed     |
| 2. Spacer  | 6. Grass Deflector      |
| 3. Locknut | 7. J hook end of spring |
| 4. Spring  |                         |

- Place the spacer and spring onto grass deflector. Place one **J** end of the spring behind the deck edge.

**Note:** Make sure one **J** end of the spring is installed behind the deck edge before installing the bolt as shown in Figure 90.

- Install the bolt and nut. Place one **J** hook end of the spring around the grass deflector (Figure 90).

**Important:** The grass deflector must be able to rotate. Lift the deflector up to the full open position and ensure that it rotates into the full down position.

## Replacing the Grass Deflector

### **⚠ WARNING**

An uncovered discharge opening could allow the lawn mower to throw objects in the operator's or bystander's direction and result in serious injury. Also, contact with the blade could occur.

Never operate the lawn mower unless you install a cover plate, a mulch plate, grass deflector or bagger.

- Remove the locknut, bolt, spring and spacer holding the deflector to the pivot brackets (Figure 90). Remove damaged or worn grass deflector.

# Cleaning

## Cleaning Under the Mower

**Service Interval:** Before each use or daily

Remove the grass buildup under the mower daily.

1. Disengage the PTO, move the motion control levers to the neutral locked position and set the parking brake.
2. Stop the engine, remove the key, and wait for all moving parts to stop before leaving the operating position.
3. Raise the front of the machine and use jack stands to support the mower.

## Waste Disposal

Engine oil, batteries, hydraulic oil, and engine coolant are pollutants to the environment. Dispose of these according to your state and local regulations.

# Storage

## Cleaning and Storage

1. Disengage the power take off (PTO), set the parking brake, and turn the ignition key to off. Remove the key.
2. Remove grass clippings, dirt, and grime from the external parts of the entire machine, especially the engine. Clean dirt and chaff from the outside of the engine's cylinder head fins and blower housing.

**Important:** You can wash the machine with mild detergent and water. Do not pressure wash the machine. Avoid excessive use of water, especially near the drive system and engine. Pressure washing can force dirt and water into critical parts, such as spindle bearings and electrical switches.

3. Check the brake; refer to Servicing the Brake in Brake Maintenance (page 46).
  4. Service the air cleaner; refer to Servicing the Air Cleaner in Engine Maintenance (page 34).
  5. Grease the machine; refer to Greasing and Lubrication in Lubrication (page 32).
  6. Change the engine oil; refer to Servicing the Engine in Engine Maintenance (page 34).
  7. Check the tire pressure; refer to Checking the Tire Pressure in Drive System Maintenance (page 42).
  8. For long-term storage:
    - A. Add stabilizer/conditioner additive to fuel in the tank.
    - B. Run engine to distribute conditioned fuel through the fuel system (5 minutes).
    - C. Stop engine, allow to cool and drain the fuel tank; refer to Servicing the Fuel Tank in Fuel System Maintenance (page 39), or operate engine until it stops.
    - D. Restart engine and run until it stops. Repeat, on Choke until engine will not restart.
    - E. Dispose of fuel properly. Recycle as per local codes.
- Note:** Do not store stabilizer/conditioned gasoline over 90 days.
9. Remove the spark plug(s) and check its condition; refer to Servicing the Spark Plug in Engine Maintenance (page 34). With the spark plug(s) removed from the engine, pour two tablespoons of engine oil into the spark plug hole. Now use the starter to crank the engine and

distribute the oil inside the cylinder. Install the spark plug(s). Do not install the wire on the spark plug(s).

10. Check and tighten all bolts, nuts, and screws. Repair or replace any part that is damaged or defective.
11. Paint all scratched or bare metal surfaces. Paint is available from your Authorized Service Dealer.
12. Store the machine in a clean, dry garage or storage area. Remove the key from the ignition switch and keep it in a memorable place. Cover the machine to protect it and keep it clean.

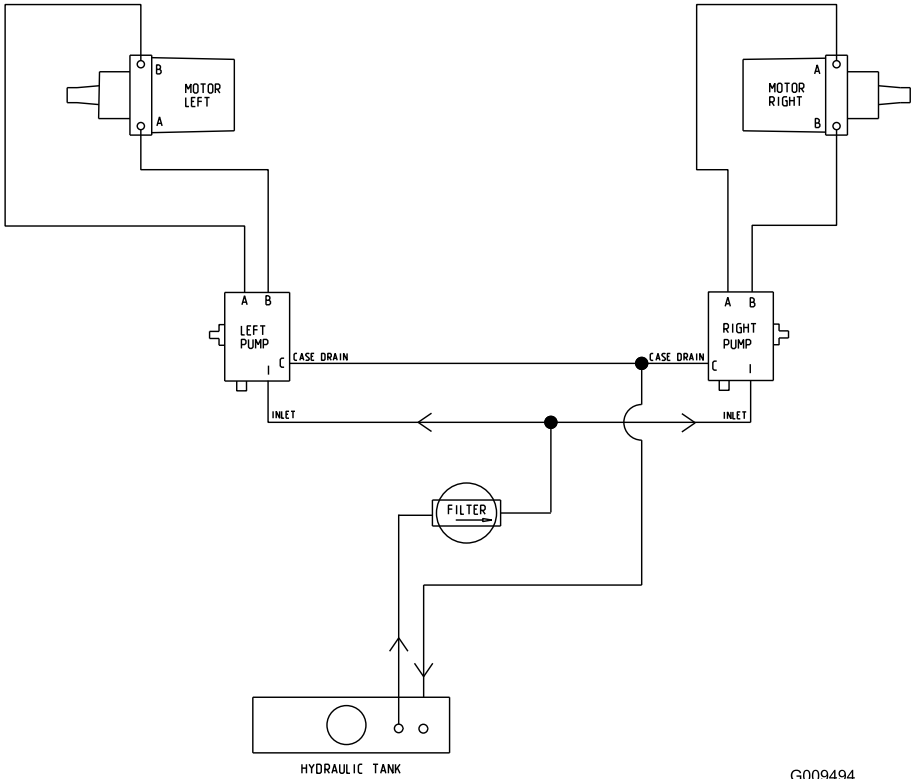
# Troubleshooting

Problem	Possible Cause	Corrective Action
Engine will not start, starts hard, or fails to keep running.	<ol style="list-style-type: none"> <li>1. Fuel tank is empty or shut-off valve closed.</li> <li>2. Choke is not on.</li> <li>3. Spark plug wire is loose or disconnected.</li> <li>4. Spark plug is pitted, fouled, or the gap is incorrect.</li> <li>5. Air cleaner is dirty.</li> <li>6. Dirt in the fuel filter.</li> <li>7. Dirt, water, or stale fuel is in the fuel system.</li> <li>8. The gap between the safety interlock switches is not correct.</li> </ol>	<ol style="list-style-type: none"> <li>1. Fill fuel tank with gasoline and open valve</li> <li>2. Move the choke lever to choke position.</li> <li>3. Install wire on spark plug.</li> <li>4. Install a new, correctly gapped spark plug.</li> <li>5. Service the air cleaner element.</li> <li>6. Replace the fuel filter.</li> <li>7. Contact an Authorized Service Dealer.</li> <li>8. Contact an Authorized Service Dealer.</li> </ol>
Engine loses power.	<ol style="list-style-type: none"> <li>1. Engine load is excessive.</li> <li>2. Air cleaner is dirty.</li> <li>3. Oil level in the crankcase is low.</li> <li>4. Cooling fins and air passages under the engine blower housing are plugged.</li> <li>5. Spark plug is pitted, fouled, or the gap is incorrect.</li> <li>6. Vent hole in the fuel cap is plugged.</li> <li>7. Dirt in the fuel filter.</li> <li>8. Dirt, water, or stale fuel is in the fuel system.</li> </ol>	<ol style="list-style-type: none"> <li>1. Reduce the ground speed.</li> <li>2. Service the air cleaner.</li> <li>3. Add oil to the crankcase.</li> <li>4. Remove the obstruction from the cooling fins and air passages.</li> <li>5. Install a new, correctly gapped spark plug.</li> <li>6. Clean or replace the fuel cap.</li> <li>7. Replace the fuel filter.</li> <li>8. Contact an Authorized Service Dealer.</li> </ol>
Engine overheats.	<ol style="list-style-type: none"> <li>1. Engine load is excessive.</li> <li>2. Oil level in the crankcase is low.</li> <li>3. Cooling fins and air passages under the engine blower housing are plugged.</li> </ol>	<ol style="list-style-type: none"> <li>1. Reduce the ground speed.</li> <li>2. Add oil to the crankcase.</li> <li>3. Remove the obstruction from the cooling fins and air passages.</li> </ol>
Machine does not drive.	<ol style="list-style-type: none"> <li>1. Hydraulic oil reservoir low.</li> <li>2. Air in the hydraulic system.</li> <li>3. Pump drive belt slipping.</li> <li>4. Pump drive belt idler spring missing.</li> <li>5. Pump by-pass valves are open.</li> </ol>	<ol style="list-style-type: none"> <li>1. Add hydraulic oil to the reservoir.</li> <li>2. Bleed the air out the hydraulic system.</li> <li>3. Replace the pump drive belt.</li> <li>4. Replace the pump drive belt idler spring.</li> <li>5. Tighten the by-pass valves.</li> </ol>
Abnormal vibration.	<ol style="list-style-type: none"> <li>1. Cutting blade(s) is/are bent or unbalanced.</li> <li>2. Blade mounting bolt is loose.</li> <li>3. Engine mounting bolts are loose.</li> <li>4. Loose engine pulley, idler pulley, or blade pulley.</li> <li>5. Engine pulley is damaged.</li> <li>6. Blade spindle is bent.</li> </ol>	<ol style="list-style-type: none"> <li>1. Install new cutting blade(s).</li> <li>2. Tighten the blade mounting bolt.</li> <li>3. Tighten the engine mounting bolts.</li> <li>4. Tighten the appropriate pulley.</li> <li>5. Contact an Authorized Service Dealer.</li> <li>6. Contact an Authorized Service Dealer.</li> </ol>
Uneven cutting height.	<ol style="list-style-type: none"> <li>1. Blade(s) not sharp.</li> <li>2. Cutting blade(s) is/are bent.</li> <li>3. Mower deck is not level.</li> <li>4. Mower deck pitch is wrong.</li> <li>5. Underside of mower deck is dirty.</li> <li>6. Tire pressure is not correct.</li> <li>7. Blade spindle bent.</li> </ol>	<ol style="list-style-type: none"> <li>1. Sharpen the blade(s).</li> <li>2. Install new cutting blade(s).</li> <li>3. Level the mower deck side-to-side position.</li> <li>4. Adjust the front-to-rear pitch.</li> <li>5. Clean the underside of the mower deck.</li> <li>6. Adjust the tire pressure.</li> <li>7. Contact an Authorized Service Dealer.</li> </ol>

Problem	Possible Cause	Corrective Action
Blades do not rotate.	<ol style="list-style-type: none"> <li>1. Pump drive belt is worn, loose or broken.</li> <li>2. Pump drive belt is off pulley.</li> <li>3. Mower deck belt is worn, loose or broken.</li> <li>4. Mower deck belt is off pulley.</li> <li>5. Broken or missing idler spring.</li> <li>6. Electric clutch out of adjustment.</li> <li>7. Clutch connector or wire damaged.</li> <li>8. Damaged electric clutch.</li> <li>9. Safety interlock system prevents blade rotation.</li> <li>10. PTO switch is faulty.</li> </ol>	<ol style="list-style-type: none"> <li>1. Check the belt tension.</li> <li>2. Install drive belt and check adjusting shafts and belt guides for correct position.</li> <li>3. Install new deck belt.</li> <li>4. Install deck pulley and check the idler pulley, idler arm and spring for correct position and function.</li> <li>5. Replace the spring.</li> <li>6. Adjust the clutch air gap.</li> <li>7. Contact an Authorized Service Dealer.</li> <li>8. Contact an Authorized Service Dealer.</li> <li>9. Contact an Authorized Service Dealer.</li> <li>10. Contact an Authorized Service Dealer.</li> </ol>
The machine does not track correctly.	<ol style="list-style-type: none"> <li>1. Motion control cables are out of adjustment.</li> <li>2. Pump drive belt slipping on one pump pulley.</li> <li>3. Hydraulic pump by-pass valve is partially open.</li> </ol>	<ol style="list-style-type: none"> <li>1. Adjust the cables at the adjustment nut.</li> <li>2. Install new pump drive belt.</li> <li>3. Close the by-pass valve. Torque to 110 to 130 in-lb (12 to 15 N-m).</li> </ol>

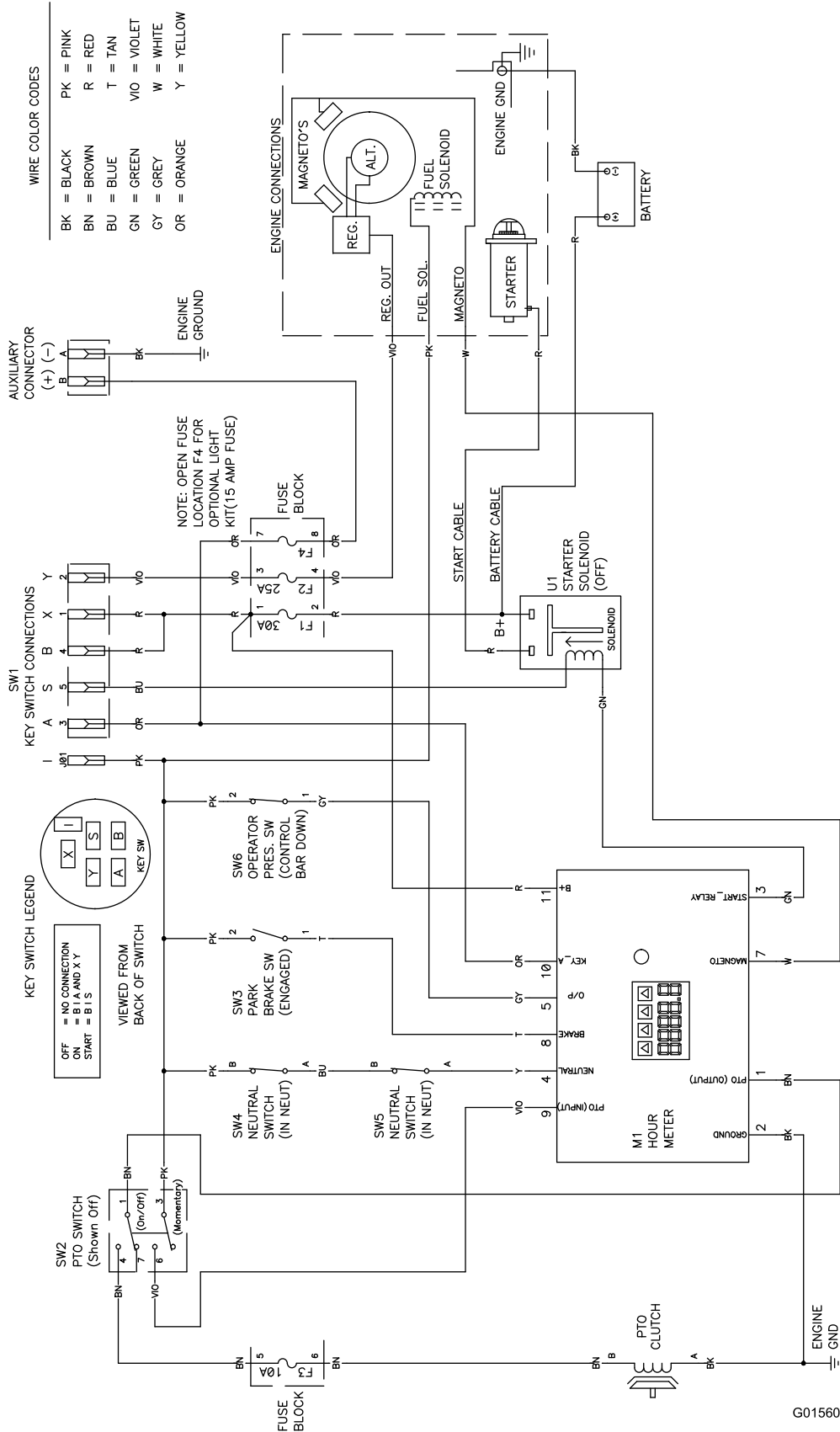


# Schematics



Hydraulic Schematic (Rev. A)

G009494



Electrical Schematic (Rev. A)

G015606

**Notes:**

**Notes:**

**Notes:**

## European Privacy Notice

### The Information Toro Collects

Toro Warranty Company (Toro) respects your privacy. In order to process your warranty claim and contact you in the event of a product recall, we ask you to share certain personal information with us, either directly or through your local Toro dealer.

The Toro warranty system is hosted on servers located within the United States where privacy law may not provide the same protection as applies in your country.

BY SHARING YOUR PERSONAL INFORMATION WITH US, YOU ARE CONSENTING TO THE PROCESSING OF YOUR PERSONAL INFORMATION AS DESCRIBED IN THIS PRIVACY NOTICE.

### The Way Toro Uses Information

Toro may use your personal information to process warranty claims and to contact you in the event of a product recall. Toro may share your information with Toro's affiliates, dealers or other business partners in connection with any of these activities. We will not use personal information provided for warranty purposes for marketing, nor shall we give or sell personal information provided for warranty purposes to any other company for marketing. We reserve the right to disclose personal information in order to comply with applicable laws and with requests by the appropriate authorities, to operate its systems properly or for our own protection or that of other users.

### Retention of your Personal Information

We will keep your personal information as long as we need it for the purposes for which it was originally collected or for other legitimate purposes (such as regulatory compliance), or as required by applicable law.

### Toro's Commitment to Security of Your Personal Information

We take reasonable precautions in order to protect the security of your personal information. We also take steps to maintain the accuracy and current status of personal information.

### Access and Correction of your Personal Information

If you would like to review or correct your personal information, please contact us by email at [legal@toro.com](mailto:legal@toro.com).

## Intl Dist List

<b>Distributor:</b>	<b>Country:</b>	<b>Phone Number:</b>
Atlantis Su ve Sulama Sisstemleri Lt	Turkey	90 216 344 86 74
Balama Prima Engineering Equip.	Hong Kong	852 2155 2163
B-Ray Corporation	Korea	82 32 551 2076
Casco Sales Company	Puerto Rico	787 788 8383
Ceres S.A.	Costa Rica	506 239 1138
CSSC Turf Equipment (pvt) Ltd.	Sri Lanka	94 11 2746100
Cyril Johnston & Co.	Northern Ireland	44 2890 813 121
Equivier	Mexico	52 55 539 95444
Femco S.A.	Guatemala	502 442 3277
G.Y.K. Company Ltd.	Japan	81 726 325 861
Geomechaniki of Athens	Greece	30 10 935 0054
Guandong Golden Star	China	86 20 876 51338
Hako Ground and Garden	Sweden	46 35 10 0000
Hako Ground and Garden	Norway	47 22 90 7760
Hayter Limited (U.K.)	United Kingdom	44 1279 723 444
Hydroturf Int. Co Dubai	United Arab Emirates	97 14 347 9479
Hydroturf Egypt LLC	Egypt	202 519 4308
Ibea S.P.A.	Italy	39 0331 853611
Irriamc	Portugal	351 21 238 8260
Irrigation Products Int'l Pvt Ltd.	India	86 22 83960789
Jean Heybroek b.v.	Netherlands	31 30 639 4611
Maquiver S.A.	Colombia	57 1 236 4079
Maruyama Mfg. Co. Inc.	Japan	81 3 3252 2285
Metra Kft	Hungary	36 1 326 3880
Mountfield a.s.	Czech Republic	420 255 704 220
Munditol S.A.	Argentina	54 11 4 821 9999
Oslinger Turf Equipment SA	Ecuador	593 4 239 6970
Oy Hako Ground and Garden Ab	Finland	358 987 00733
Parkland Products Ltd.	New Zealand	64 3 34 93760
Prochaska & Cie	Austria	43 1 278 5100
RT Cohen 2004 Ltd.	Israel	972 986 17979
Riversa	Spain	902 497 798
Sc Svend Carlsen A/S	Denmark	45 66 109 200
Solvvert S.A.S.	France	33 1 30 81 77 00
Spypros Stavrinides Limited	Cyprus	357 22 434131
Surge Systems India Limited	India	91 1 292299901
T-Markt Logistics Ltd.	Hungary	36 26 525 500
Toro Australia	Australia	61 3 9580 7355
Toro Europe BVBA	Belgium	32 14 562 960



# The Toro Total Warranty

Landscape  
Contractor  
Equipment (LCE)

## Conditions and Products Covered

The Toro Company and its affiliate, Toro Warranty Company, pursuant to an agreement between them, jointly promise to the original purchaser to repair the Toro Products listed below if defective in materials or workmanship.

The following time periods apply from the date of purchase by the original owner:

Products	Warranty Period
53 cm Mowers – Residential use <sup>1</sup>	2 years
53 cm Mowers – Commercial use	1 year
Mid-Size Walk-Behind Mowers	2 years
• Engine	2 years <sup>2</sup>
Grand Stand® Mowers	5 years or 1,200 hours <sup>3</sup>
• Kawaski Engine	2 years
• Kohler EFI Engine	3 years
• Frame	Lifetime (original owner only) <sup>4</sup>
Z Master® 2000 Series Mowers	4 years or 500 hours <sup>3</sup>
• Engine	2 years <sup>2</sup>
• Frame	Lifetime (original owner only) <sup>4</sup>
Z Master® 3000 Series Mowers	5 years or 1,200 hours <sup>3</sup>
• Engine	2 years <sup>2</sup>
• Frame	Lifetime (original owner only) <sup>4</sup>
Z Master® 5000 and 6000 Series Mowers	5 years or 1,200 hours <sup>3</sup>
• Kawaski Engine	2 years <sup>2</sup>
• Kohler Engine	2 years <sup>2</sup>
• Kohler EFI Engine	3 years <sup>2</sup>
• Frame	Lifetime (original owner only) <sup>4</sup>
Z Master® 7000 Series Mowers	4 years or 1,200 hours <sup>3</sup>
• Engine	2 years <sup>2</sup>
• Frame	Lifetime (original owner only) <sup>4</sup>
All Mowers	
• Battery	2 years
• Attachments	2 years

<sup>1</sup>Residential use means use of the product on the same lot as your home. Use at more than one location is considered commercial use and the commercial warranty would apply.

<sup>2</sup>Some engines used on Toro LCE Products are warranted by the engine manufacturer.

<sup>3</sup>Whichever occurs first.

<sup>4</sup>Lifetime Frame Warranty - If the main frame, consisting of the parts welded together to form the tractor structure that other components such as the engine are secured to, cracks or breaks in normal use, it will be repaired or replaced under warranty at no cost for parts and labor. Frame failure due to misuse or abuse and failure or repair required due to rust or corrosion are not covered.

This warranty includes the cost of parts and labor, but you must pay transportation costs.

## Instructions for Obtaining Warranty Service

If you think that your Toro Product contains a defect in materials or workmanship, follow this procedure:

1. Contact your seller to arrange service of the product. If for any reason it is impossible for you to contact your seller, you may contact any Toro Authorized Distributor to arrange service.
2. Bring the product and your proof of purchase (sales receipt) to the Service Dealer.
3. If for any reason you are dissatisfied with the Service Dealer's analysis or with the assistance provided, contact us at:

RLC Customer Care Department  
Toro Warranty Company  
8111 Lyndale Avenue South  
Bloomington, MN 55420-1196  
001-952-948-4650

See attached Distributor List.

## Owner Responsibilities

You must maintain your Toro Product by following the maintenance procedures described in the *Operator's Manual*. Such routine maintenance, whether performed by a dealer or by you, is at your expense.

## Items and Conditions Not Covered

There is no other express warranty except for special emission system and engine warranty coverage on some products. This express warranty does not cover the following:

- Cost of regular maintenance service or wear parts, such as filters, fuel, lubricants, tune-up parts, blade sharpening, brake and clutch adjustments.
- Any product or part which has been altered or misused and requires replacement or repair due to normal wear, accidents, or lack of proper maintenance.
- Repairs necessary due to improper fuel, contaminants in the fuel system, or failure to properly prepare the fuel system prior to any period of non-use over three months.
- All repairs covered by these warranties must be performed by an Authorized Toro Service Dealer using Toro approved replacement parts.

## General Conditions

The purchaser is covered by the national laws of each country. The rights to which the purchaser is entitled with the support of these laws are not restricted by this warranty.