



Service Part Number Information - Hydraulic Manifold

Product: Material Handler 400

Nov. 3, 2011

Affected Units:

Models:

Serial Numbers:

44933

310000101-311000999

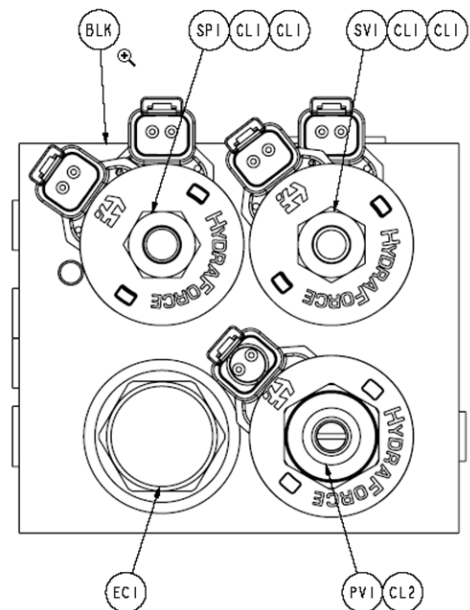
44934

310000101-311000999

Situation:

Service part number information for the individual components contained in the Hydraulic Manifold (T0000-7792) was omitted from the parts catalogs for 2010 and 2011 Material Handler 400 units. This bulletin is intended to serve as a supplement to those documents and provide that part number information.

PARTS LIST		
<i>ITEM</i>	<i>QTY</i>	<i>MODEL NUMBER / DESC.</i>
CV1...CV4	4	CV04-20-0-N-05
EC1	1	EC12-42-0-N-160
SPI	1	SP10-47CM-0-N-00
SVI	1	SV10-47CM-0-N-00
CL1	4	COIL 4303712
PV1	1	PV72-30AM-0-N-00
CL2	1	COIL 4303212
ORF1	1	ORIFICE PLUG 6112040
ORF2,ORF4	2	ORIFICE PLUG 6112020
ORF3	1	ORIFICE PLUG 6112068
PLG6	4	PORT PLUG 6103006
PLG4	6	PORT PLUG 6103004
NOT SHOWN	4	PLUG 6108070
NOT SHOWN	2	PLUG 6108060
BLK	1	BLOCK 7284430



Toro #	Description	Jem - Hydraforce #	HF Index	QTY
120-9415	CHECK VALVE	CV04-20-0-N-4	CV1 - CV4	4
120-9416	PRESSURE COMPENSATOR	EC12-42-0-N-160	EC1	1
120-9417	SOLENOID VALVE	SP10-47CM-0--N-00	SP1	1
120-9418	SOLENOID VALVE	SV10-47CM-0-N-00	SV1	1
119-4619	SOLENOID COIL	4303712	CL1	4
120-9420	PROP FLOW REGULATOR	PV72-30AM-0-N-00	PV1	1
120-0920	70-SERIES E COIL	4303212	CL2	1
110-8883	ORIFICE 3/8-16 (.040 DIA)	6112040	ORF1	1
110-8889	ORIFICE 3/8-16 (.020 DIA)	6112020	ORF2, OR	2
120-9422	ORIFICE 3/8-16 (.068 DIA)	6112068	ORF3	1

