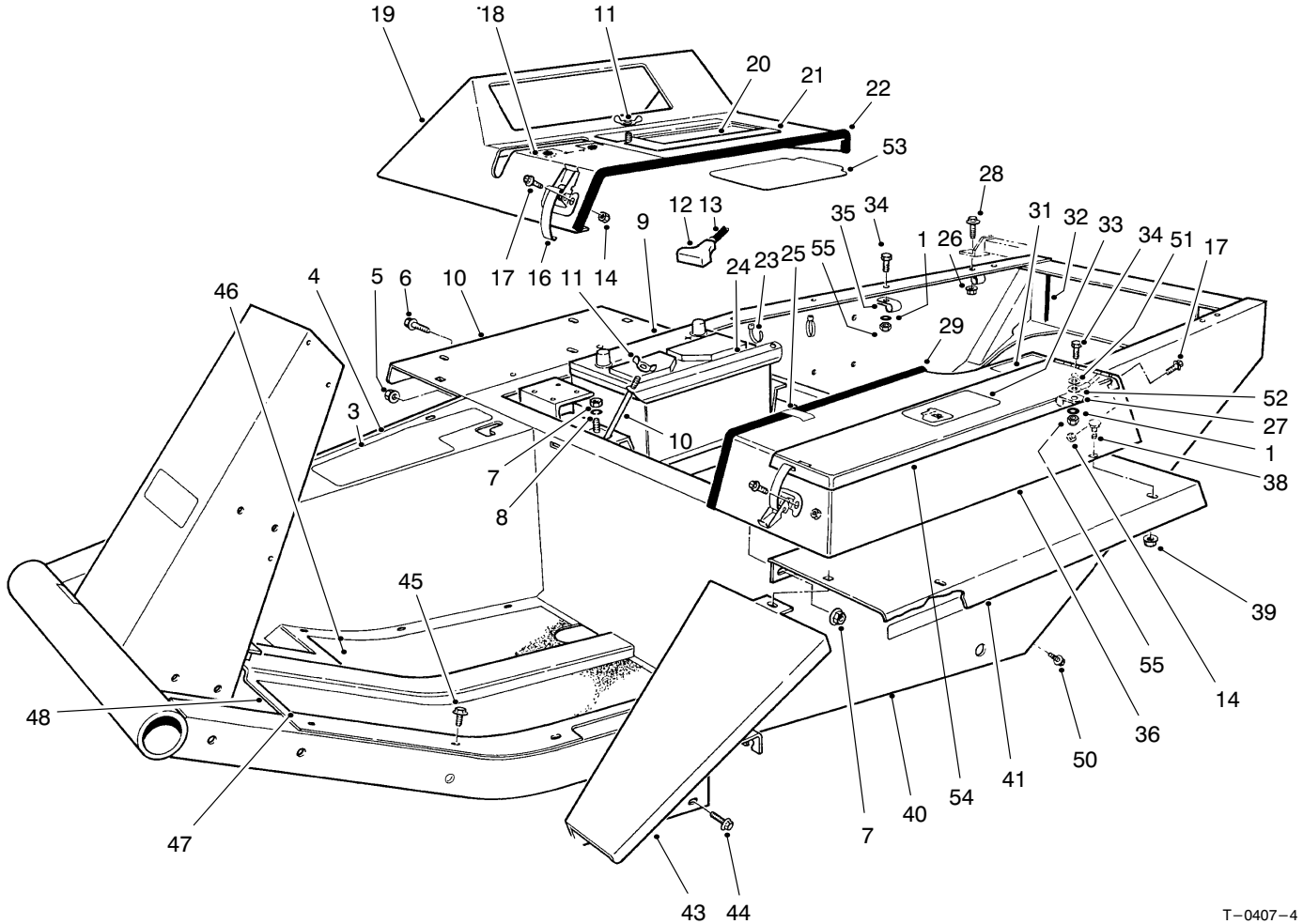




MODEL NO. 30788-50001 & UP	PARTS CATALOG
GROUNDMASTER® 325D TRACTION UNIT	

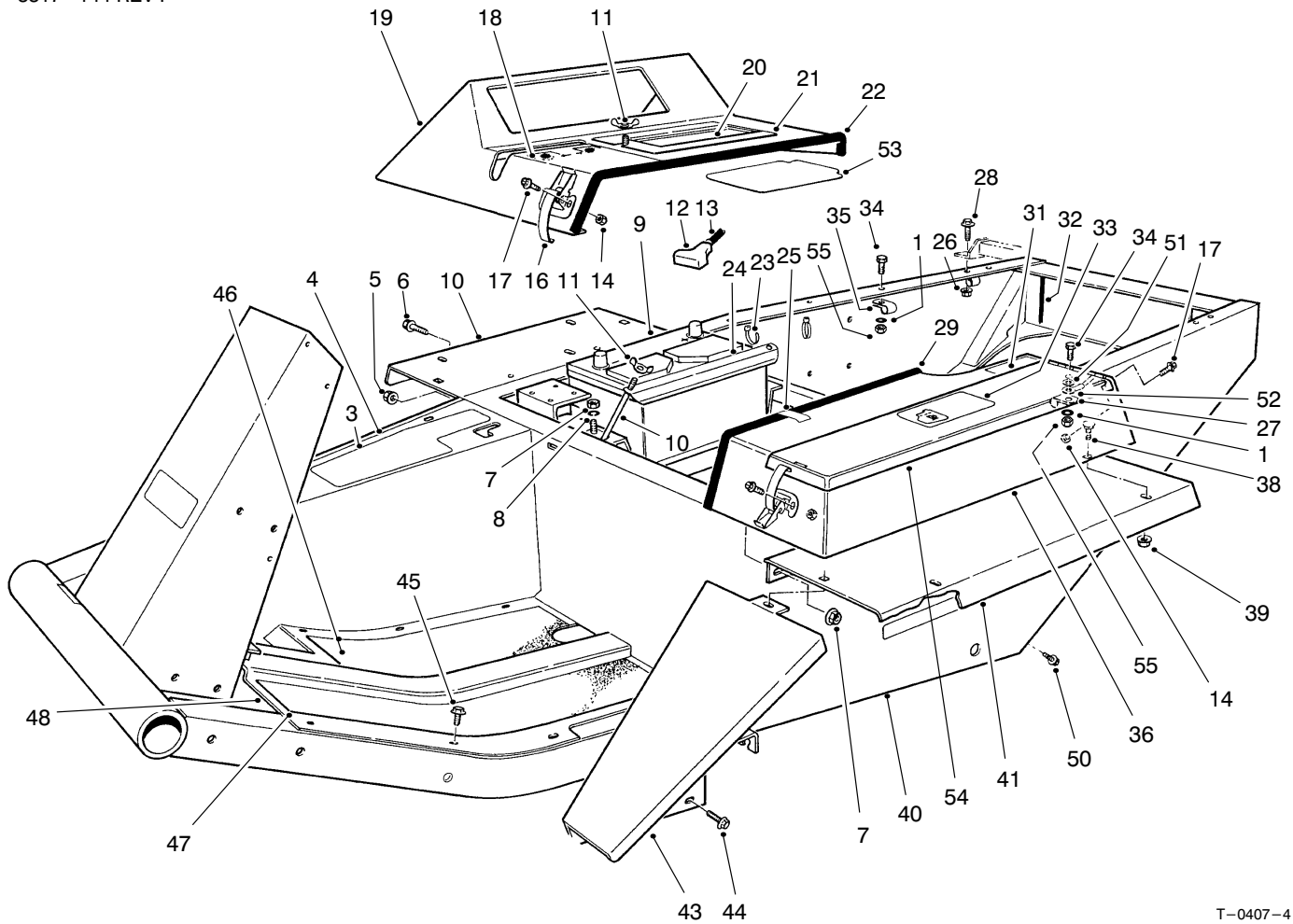


T-0407-4

MAIN FRAME ASSEMBLY

Ref. No.	Part No.	Description	No. Used
1	3256-23	Washer-Flat	2
3	66-6390	Decal-Caution	1
4	21-2660	Footrest	1
5	32128-21	Nut-Lock, Flange	10
6	3234-12	Screw-HHF	4
7	3217-6	Nut-Hex.	2
8	3253-4	Washer-Lock	2
9	63-9230	Battery Type MF24-78	1
10	24-6390	Stud-Battery Hold Down	2
11	32103-2	Nut-Wing	3
12	28-1280	Boot-Cable	1
13	70-1180	Cable-Battery Positive (Inc. Ref. #12)	1
14	3296-2	Nut	9
16	249-21	Hook Clamp	3
17	3290-144	Screw-Machine	9

Ref. No.	Part No.	Description	No. Used
18	27-7290	Decal-Power Take off	1
19	38-4550	Instrument Cover	1
20	92-7802	Decal-Starting Instructions	1
21	92-7800	Cover-Battery Access (Incl. Ref. #20 & 53)	1
22	39-8020	Trim-Instrument Cover	1
23	3290-378	Cable Tie	2
24	24-6420	Hold Down-Battery	1
25	2412-61	Clip-Tinnerman	2
26	3290-357	Nut-Lock, Flange	5
27	98-3883	Clamp	1
28	3234-11	Screw-HHF	5
29	37-9650	Trim	1
30	67-1710	Decal-Caution	1
31	52-1321	Decal-Diesel Fuel	1
32	43-4300	Trim-Rear Frame	2

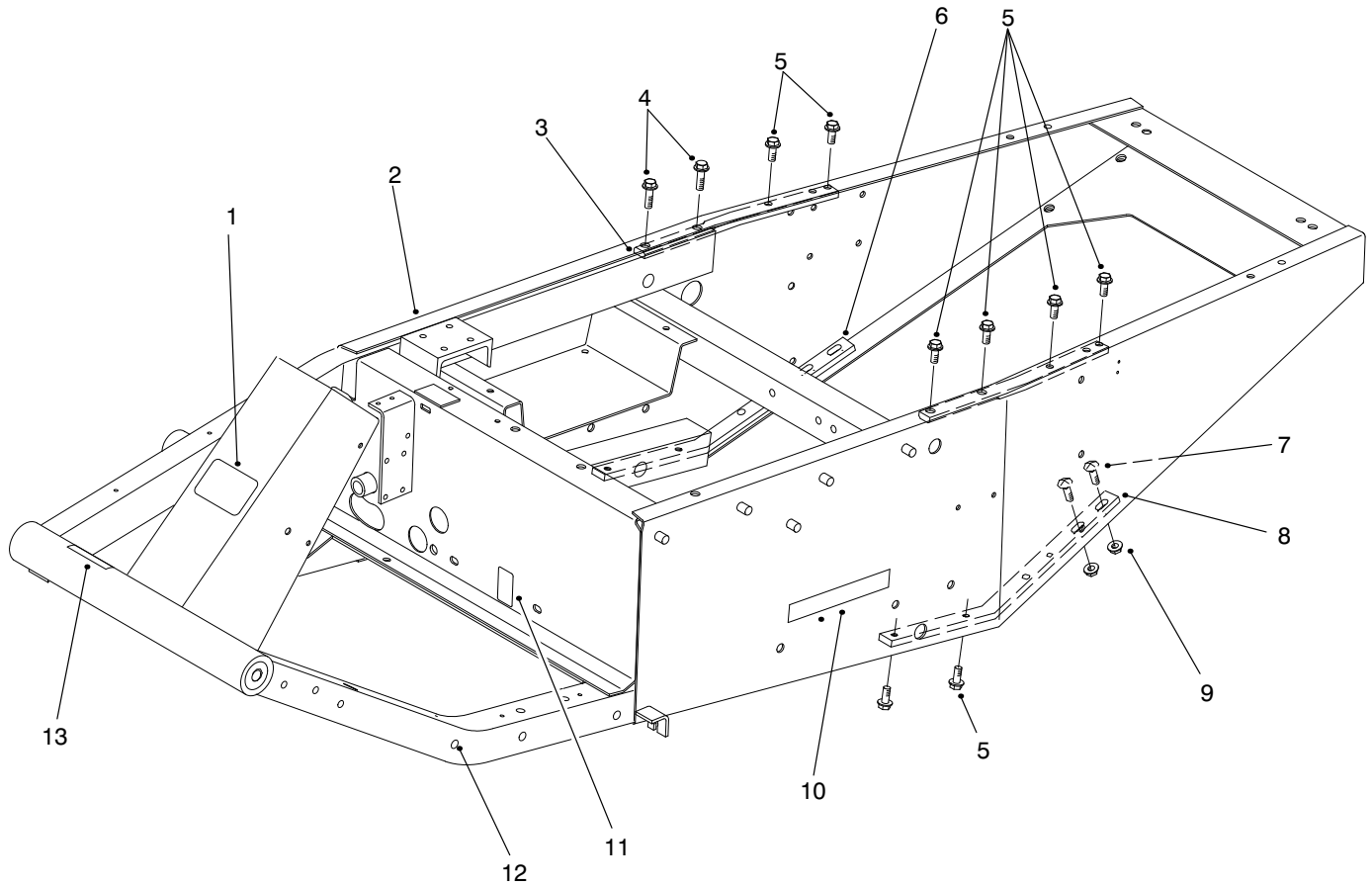


T-0407-4

MAIN FRAME ASSEMBLY (Continued)

Ref. No.	Part No.	Description	No. Used
33	27-7310	Decal-Refueling	1
34	322-6	Screw-HH	2
35	2412-74	Clamp	1
36	93-3183	Tool Box (Incl. Ref. #30)	1
37	32128-20	Nut-Lock, Flange	1
38	3229-1	Bolt-Carriage	5
39	32128-33	Nut- Lock, Flange	5
41	72-3690	Fender	2
42	67-1720	Decal-Torque	2
43	68-8610	Fender-Extension	1
44	3234-14	Screw-HH	2

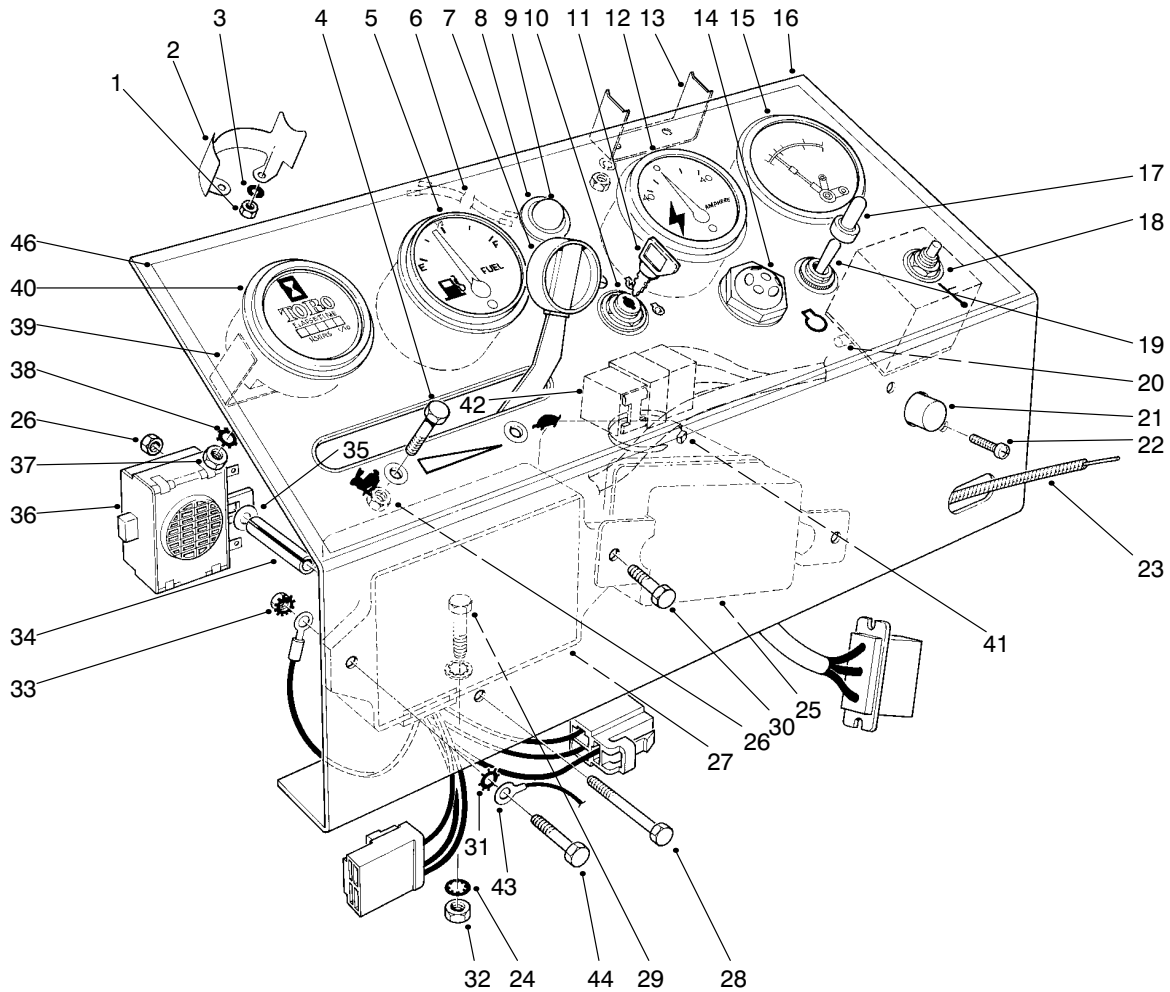
Ref. No.	Part No.	Description	No. Used
45	32144-10	Screw, Self-Tapping	11
46	21-2770	Pad-Foot Rest R.H.	1
47	21-2760	Pad-Foot Rest L.H.	1
48	88-0070	Floor Plate	1
50	3234-25	Screw-HHF	4
51	3254-2	Washer-Lock Internal	1
52	18-2770	Cable-Ground	1
53	92-7801	Shield-Battery Cover	1
54	93-3184	Cover (Incl. Ref. #33)	1
55	3296-29	Nut-Lock	2



T-2802

MAIN FRAME ASSEMBLY (Continued)

Ref. No.	Part No.	Description	No. Used	Ref. No.	Part No.	Description	No. Used
1	70-2200	Decal-Toro	1	7	3231-25	Screw-Carriage	4
2	98-3879	Asm-Frame (Incl. Ref. #1 & 3-13)	1	8	98-3864	Brace-Lower Left	1
3	98-3866	Brace0Upper	2	9	32128-21	Nut-Lock HFH	4
4	3234-24	Screw-HHF	2	10	67-1720	Decal-Torque	2
5	3234-25	Screw-HHF	10	11	53-4430	Decal-Oil Fill	1
6	98-3865	Brace-Lower Right	1	12	32148-9	Insert-Threaded	1
				13	27-7320	Decal-Traction Pedal	1

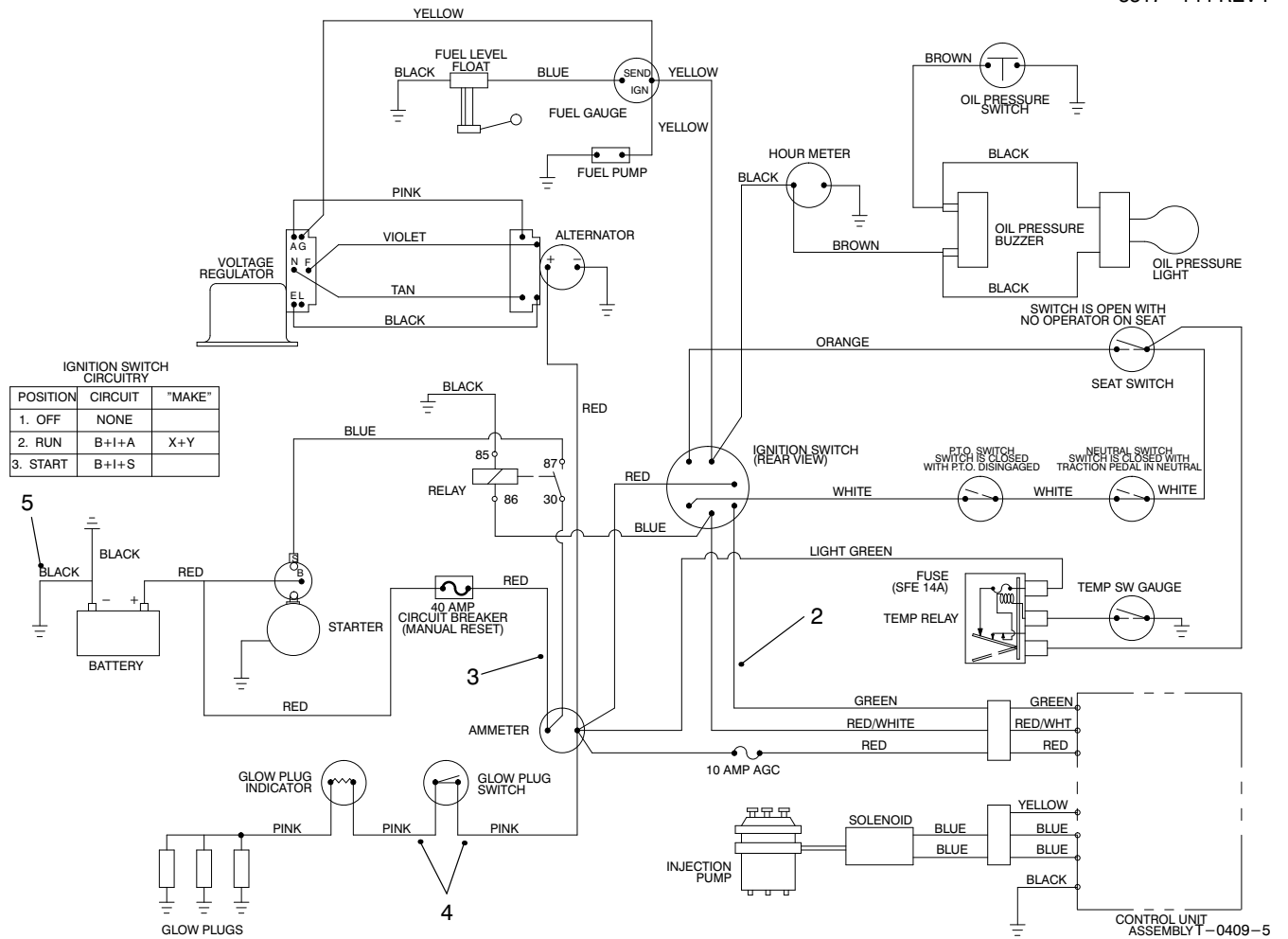


T-0408-3

INSTRUMENT PANEL ASSEMBLY

Ref. No.	Part No.	Description	No. Used	Ref. No.	Part No.	Description	No. Used
1	3219-14	Nut	6	22	3250-17	Screw—PH	2
2	38-1670	Clamp Mounting	2	23	43-3990	Throttle Control (Incl. Ref. #7)	1
3	3253-17	Washer—Lock	6	24	3254-2	Washer—Lock Int. Tooth	6
4	3290-134	Screw—Hex. Hd. Mach.	2	25	43-0410	Asm—Regulator	1
5	38-1650	Fuel Gauge (Incl. Ref. #1-3)	1	26	3296-12	Nut—Lock.	3
6	44-2220	Wire Lead	1	27	43-1880	Asm—Control Unit	1
7	233-35	Knob	2	28	3290-424	Screw—Hex. Hd. Mach.	1
8	44-2210	Warning Light (Inc. Ref. #9)	1	29	322-5	Screw—HH	2
9	218-533	Lens	1	30	321-4	Screw—HH	2
10	27-2360	Key Switch	1	31	3255-7	Washer—Lock, Ext. Tooth	3
11	63-8360	Key	1	32	3217-6	Nut—Hex	2
12	38-1660	Ammeter (Inc. Ref. #1-3)	1	33	32149-2	Nut—Lock	3
13	218-539	Clamp	1	34	43-3820	Spacer	1
14	42-9190	Glow Lamp	1	35	3256-14	Washer—Flat	1
15	26-6750	Engine Temperature Gauge (Incl. Ref. #1, 3, & 13)	1	36	22-7820	ASM—Buzzer	1
16	43-3970	Panel—Instrument	1	37	3217-26	Nut	1
17	218-473	Toggle Switch Boot	1	38	3255-5	Washer—Lock	1
18	26-6740	Temperature Reset Relay	1	39	218-515	Mounting Bracket	1
19	6-1659	Toggle Switch (Inc. Ref. #17)	1	40	12-9990	Hour Meter (Incl. Ref. #37-39)	1
†20		Fuse—Temp. Relay 14 Amp. SFE	1	41	3290-379	Cable Tie	1
21	43-4000	Circuit Breaker	1	42	63-7590	Relay	1
				43	70-1190	Cable—Ground	1
				44	321-6	Screw—HH	1
				46	43-3980	Decal—Panel, Instrument	1

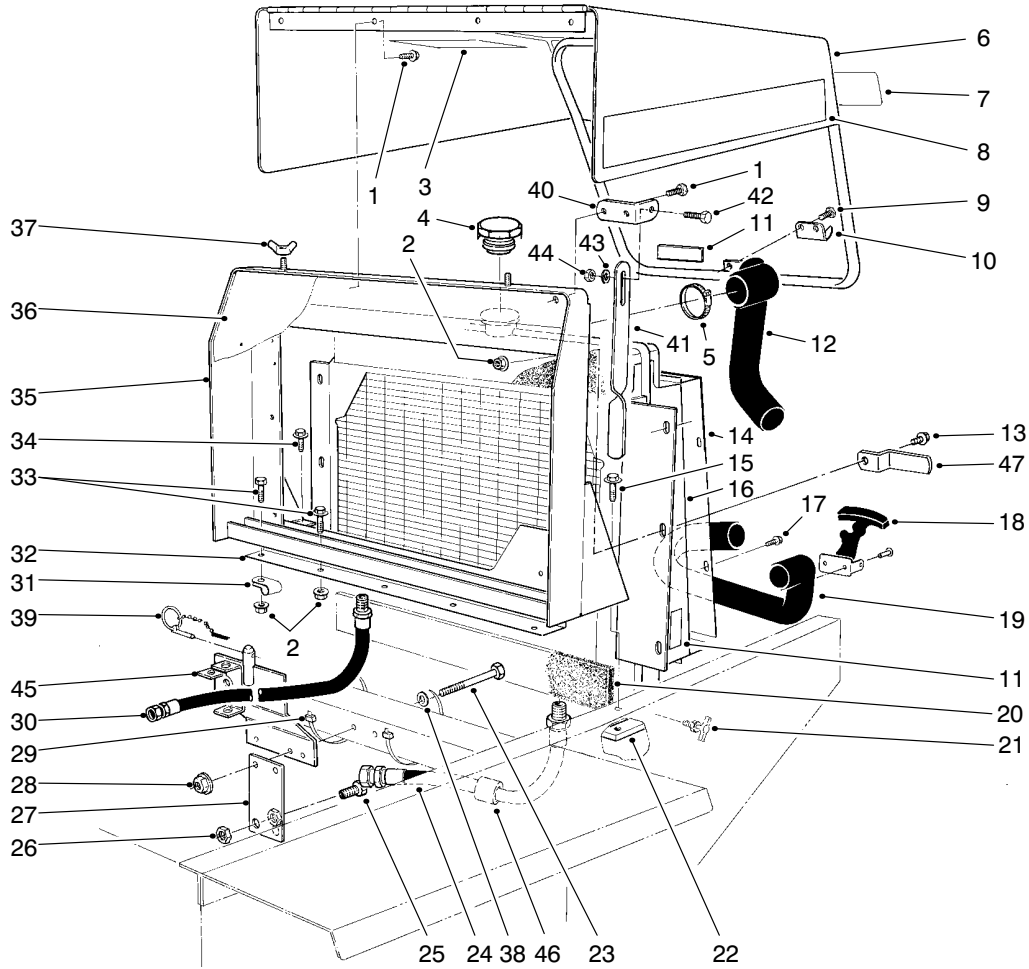
†Obtain Locally



ELECTRICAL SCHEMATIC

Ref. No.	Part No.	Description	No. Used
2	88-1790	Asm-Wire Harness	1
3	43-4040	Asm-Wire	1

Ref. No.	Part No.	Description	No. Used
4	43-4010	Asm-Wire	2
5	70-1190	Ground Cable	1

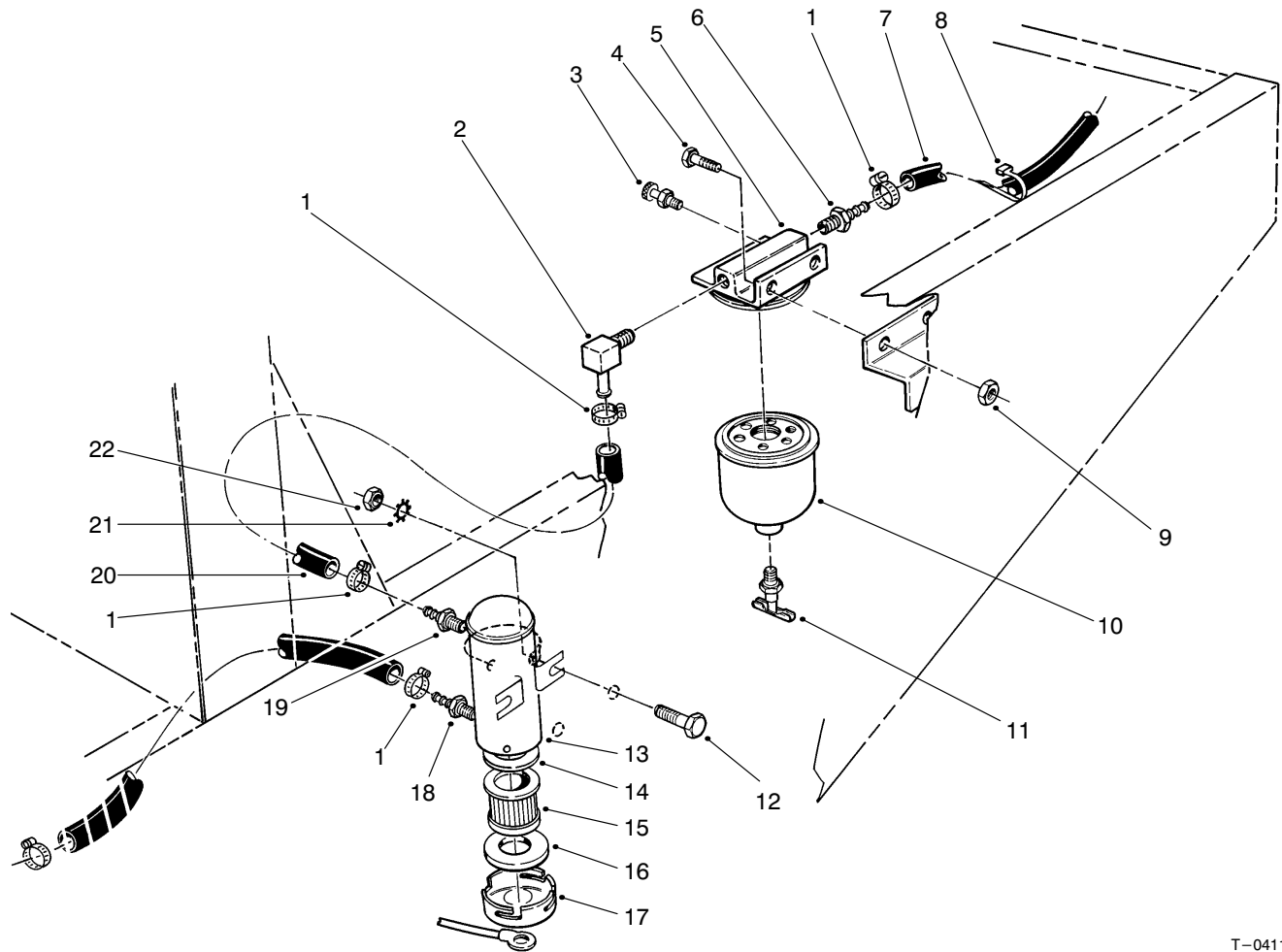


T-0410-3

RADIATOR & HOOD ASSEMBLY

Ref. No.	Part No.	Description	No. Used
1	32144-10	Screw-TAP	5
2	32128-20	Nut-HHF	7
3	82-8970	Decal-Engine Coolant	1
4	66-3240	Asm-Radiator Cap	1
5	2412-3	Hose Clamp	4
6	14-8459	Hood	1
7	66-6140	Decal-Toro	1
8	93-3188	Decal-325D	2
9	3290-271	Rivet	4
10	249-40	Keeper	1
11	77-3100	Decal -Warning	3
12	43-3350	Hose-Upper, Radiator	1
14	43-3330	Radiator Shroud	1
15	3234-1	Screw-HHF Flange Hd.	2
16	33-2570	Asm-Radiator	1
17	32104-116	Screw-TAP	8
18	59-9740	Flexible Draw Latch (Incl. Ref. #10)	1
19	43-7020	Hose-Lower, Radiator	1
20	43-3320	Foam-Radiator	2
21	304-46	Drain Cock	1
22	38-4600	Bar-Frame L.H.	1
23	323-14	Screw-HH	3

Ref. No.	Part No.	Description	No. Used
24	63-9010	Asm-Hose (Cooler to Pump)	1
25	340-71	Union-Bulkhead	2
26	340-70	Nut-Lock, Bulkhead	2
27	68-9160	Bracket	1
28	32128-21	Nut-HFH	3
29	3290-379	Cable Tie	4
30	63-8960	Asm-Hose (Valve to Cooler)	1
31	2412-39	Clamp	1
32	43-3340	Grille-Sealing Plate	1
33	322-6	Screw-HH	7
34	3234-24	Screw-HHF	2
35	88-1820	Radiator Support	1
36	67-9030	Grille	1
37	32103-2	Nut-Wing	2
38	5-0838	Washer-Flat	3
39	283-76	Pin-Lynch	1
40	84-5330	Bracket-Hood Prop	1
41	84-5380	Strap-Hood Prop	1
42	321-6	Screw-HH	1
43	3256-22	Washer-Flat	1
44	3296-16	Nut-Lock	1
45	86-9410	Bracket-Seat Support	1
46	86-7060	Bracket-Hood Hold Down	1



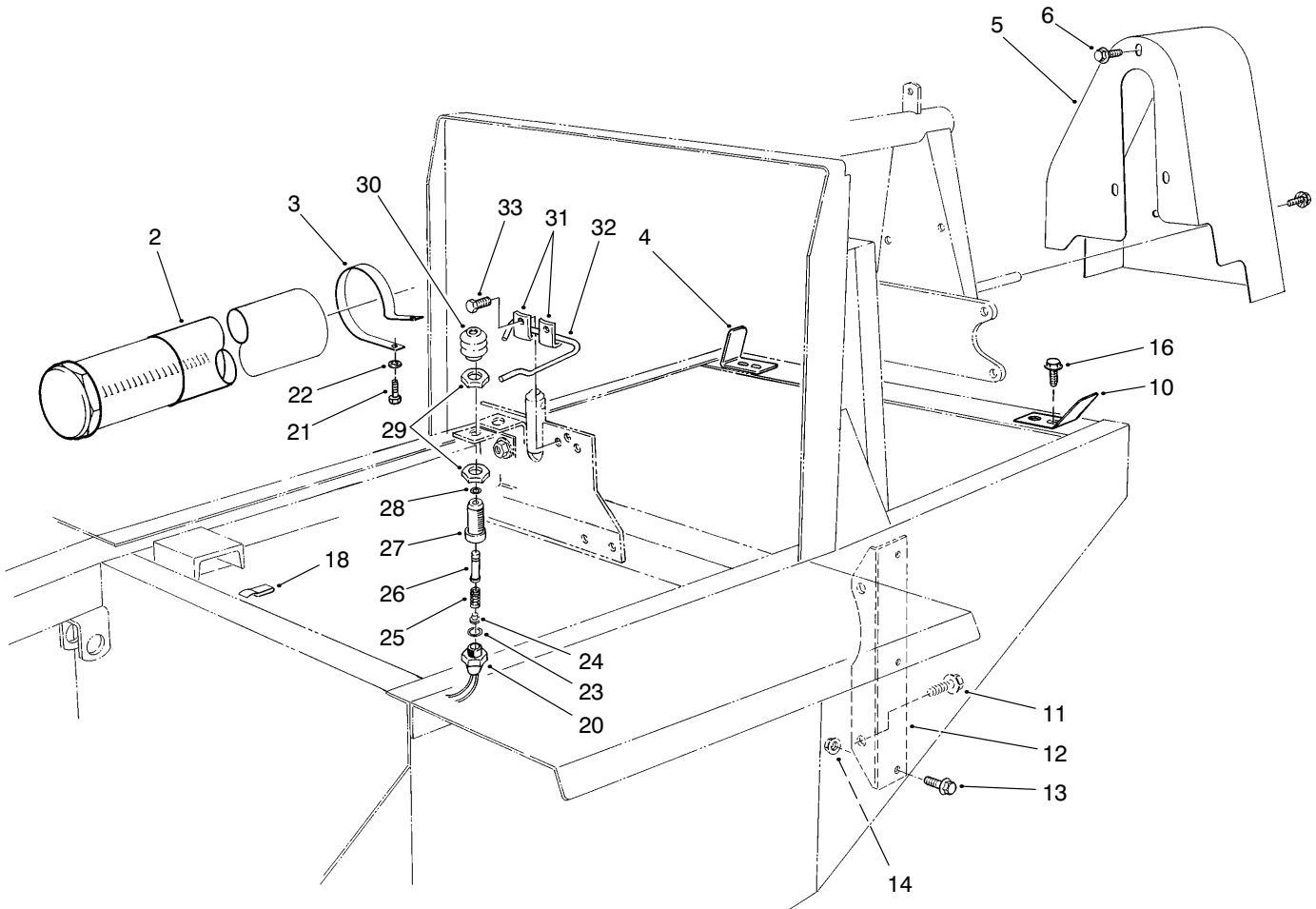
T-0411-2

FUEL FILTER ASSEMBLY

Ref. No.	Part No.	Description	No. Used
1	2412-108	Hose Clamp	5
2	304-96	90° Hose Barb	1
3	63-8290	Vent	1
4	321-4	Screw-HH	2
5	63-8280	Asm-Head	1
6	353-975	Hose Barb	1
7	63-9720	Hose	1
8	3290-378	Cable Tie	AR
9	32149-2	Nut	2
10	63-8300	Element-Fuel Filter (Incl. Ref. #11)	1
11	63-8310	Drain Valve	1
12	321-6	Screw-HH	2

Ref. No.	Part No.	Description	No. Used
13	53-8150	Asm-Pump Fuel, Electric (Incl. Ref. #14-17)	1
14	43-2570	Gasket	1
15	43-2550	Filter	1
16	43-2560	Gasket	1
17	43-2580	Magnet	1
18	353-702	Hose Barb	1
19	304-73	Hose Barb	1
20	63-9650	Hose	1
21	3255-7	Washer-Lock, Ext. Tooth	2
22	32149-2	Nut	2
*	95-3092	Kit-400 Hour Filter (Incl. Ref. #10 & 15)	1

*Not Illustrated



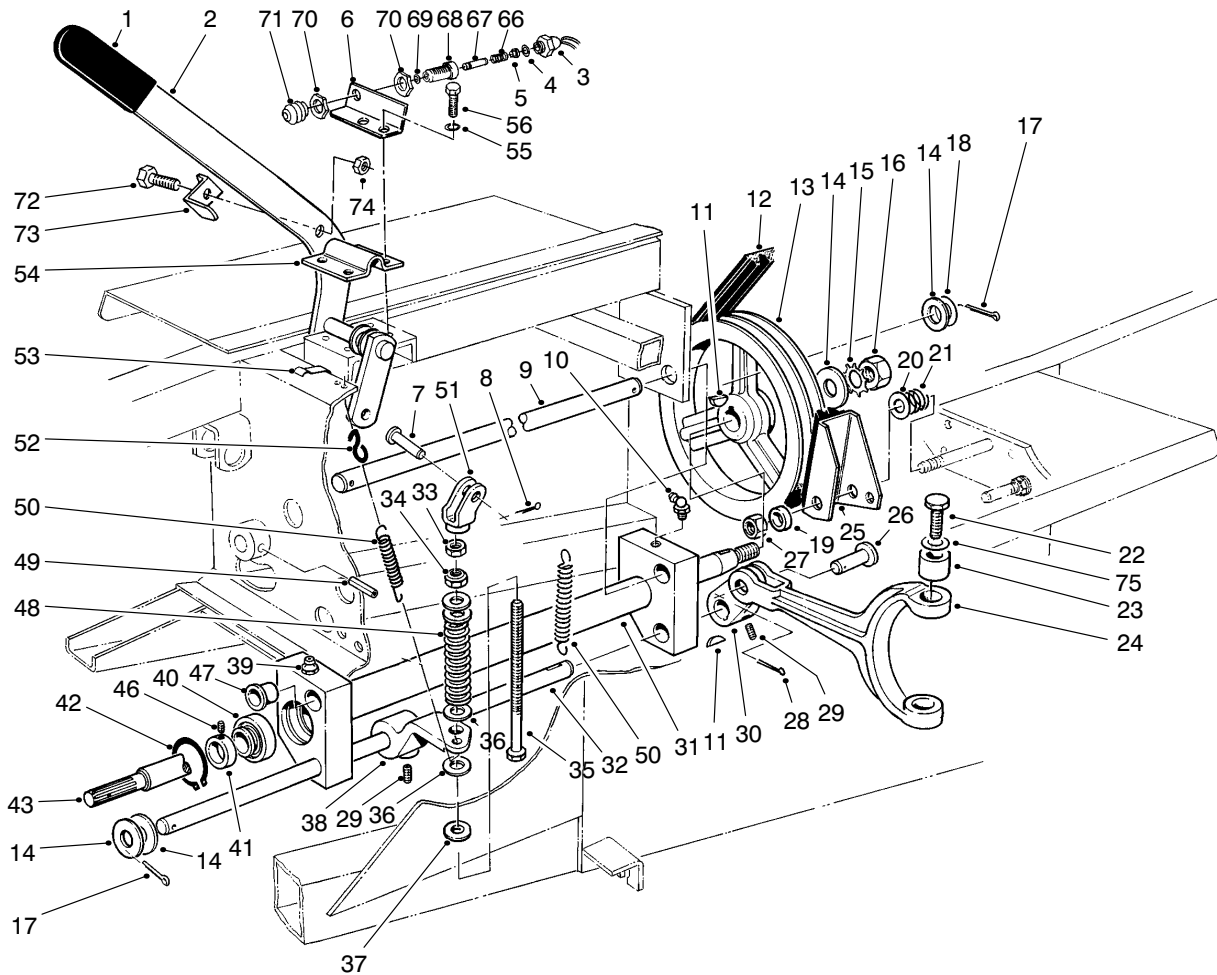
T-0412-2

INTERLOCK ASSEMBLY

Ref. No.	Part No.	Description	No. Used
2	74-0720	Tube-Manual	1
3	2412-133	R-Clamp	2
4	62-3010	Bracket, R.H.	1
5	43-3900	Guard-Fan Belt	1
6	3234-14	Screw-HH	5
10	62-3020	Bracket L.H.	1
11	3234-32	Screw-HHF	2
12	67-8190	Bracket-Engine Support	2
13	3234-11	Screw w/Locking Flange	6
14	3290-357	Nut-HFH	6
16	3234-17	Screw-HH	4
18	212-93	Wire Clip	2
20	72-4320	Switch-Ball	1
21	322-2	Screw-HH	2
22	3256-23	Washer-Flat	2

Ref. No.	Part No.	Description	No. Used
23	237-30	O-Ring	1
24	43-8610	Guide-Spring & Ball Seat	1
25	43-8600	Spring-Compression	1
26	43-8860	Plunger-Switch	1
27	43-8620	Guide-Switch Pin	1
28	237-7	O-Ring	1
29	218-461	Nut-Jam	2
30	43-8870	Boot-Switch	1
31	3-6657	Clip	2
32	86-7040	Rod-Seat Prop	1
33	32144-10	Screw-TAP	2
*	43-9071	Asm-Switch (Incl. Ref. #20, 23-30; Qty 1 of #29)	1

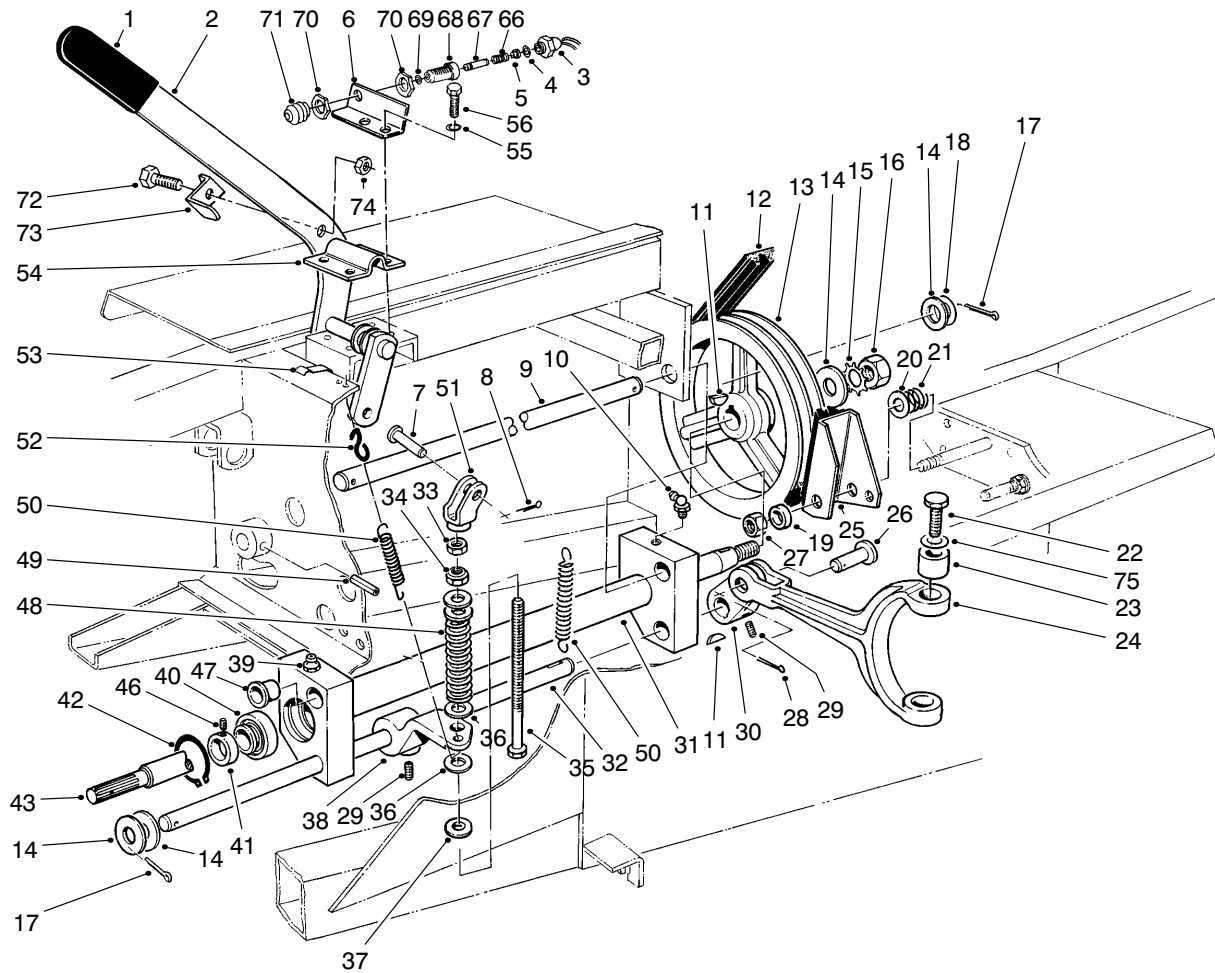
*Not Illustrated



T-0413-3

POWER TAKE OFF ASSEMBLY

Ref. No.	Part No.	Description	No. Used	Ref. No.	Part No.	Description	No. Used
1	21-1880	Grip Handle	1	27	3296-28	Nut-Lock	1
2	84-8500	Lever-P.T.O.	1	28	3272-11	Cotter Pin	1
3	72-4320	Switch-Ball	1	29	3246-3	Set Screw	4
4	237-30	O-Ring	1	30	92-4058	Arm-P.T.O.	1
5	43-8610	Guide-Spring & Ball Seat	1	31	43-5500	Pivot P.T.O.	1
6	84-8520	Bracket-P.T.O. Switch	1	32	43-5550	Shaft-Actuator P.T.O.	1
7	283-42	Clevis Pin	1	33	3219-3	Nut	1
8	3272-6	Cotter Pin	1	34	3296-6	Nut-Lock	1
9	43-3860	Shaft-Pivot P.T.O.	1	35	27-7900	Screw-Adjusting	1
10	302-10	Grease Fitting	1	36	3256-41	Washer-Flat	4
11	3257-5	Woodruff Key	3	37	5-0652	Spacer	1
12	53-9660	V-Belt Torque Team	1	38	43-5570	Arm, Actuator-P.T.O.	1
13	21-0230	Pulley P.T.O.	1	39	302-2	Grease Fitting	1
14	3256-28	Washer-Flat	4	40	251-252	Ball Bearing (Incl. Ref. #41)	2
15	3254-7	Washer-Lock	1	41	251-234	Lock Collar (Incl. Ref. #46)	2
16	3219-7	Nut	1	42	32120-22	Ring-Retaining	2
17	3272-22	Cotter Pin	2	43	43-5540	Shaft P.T.O.	1
18	3-6498	Washer	AR	46	3245-1	Set Screw	2
19	3-8812	Spacer	1	47	256-113	Bushing-Flange	4
20	3256-6	Washer-Flat	1	48	21-0400	Spring-Compression	1
21	5-1747	Spring	1	49	32121-9	Pin-Roll	1
22	92-5727	Screw-HH	2	50	21-1830	Spring-Tension	2
23	92-5723	Bushing-P.T.O. Fork	2	51	43-5630	Yoke-P.T.O.	1
24	92-4060	Fork P.T.O.	1	52	5-0701	Spring Anchor	1
25	27-7370	Asm-Brake P.T.O.	1				
26	93-3769	Clevis Pin	1				



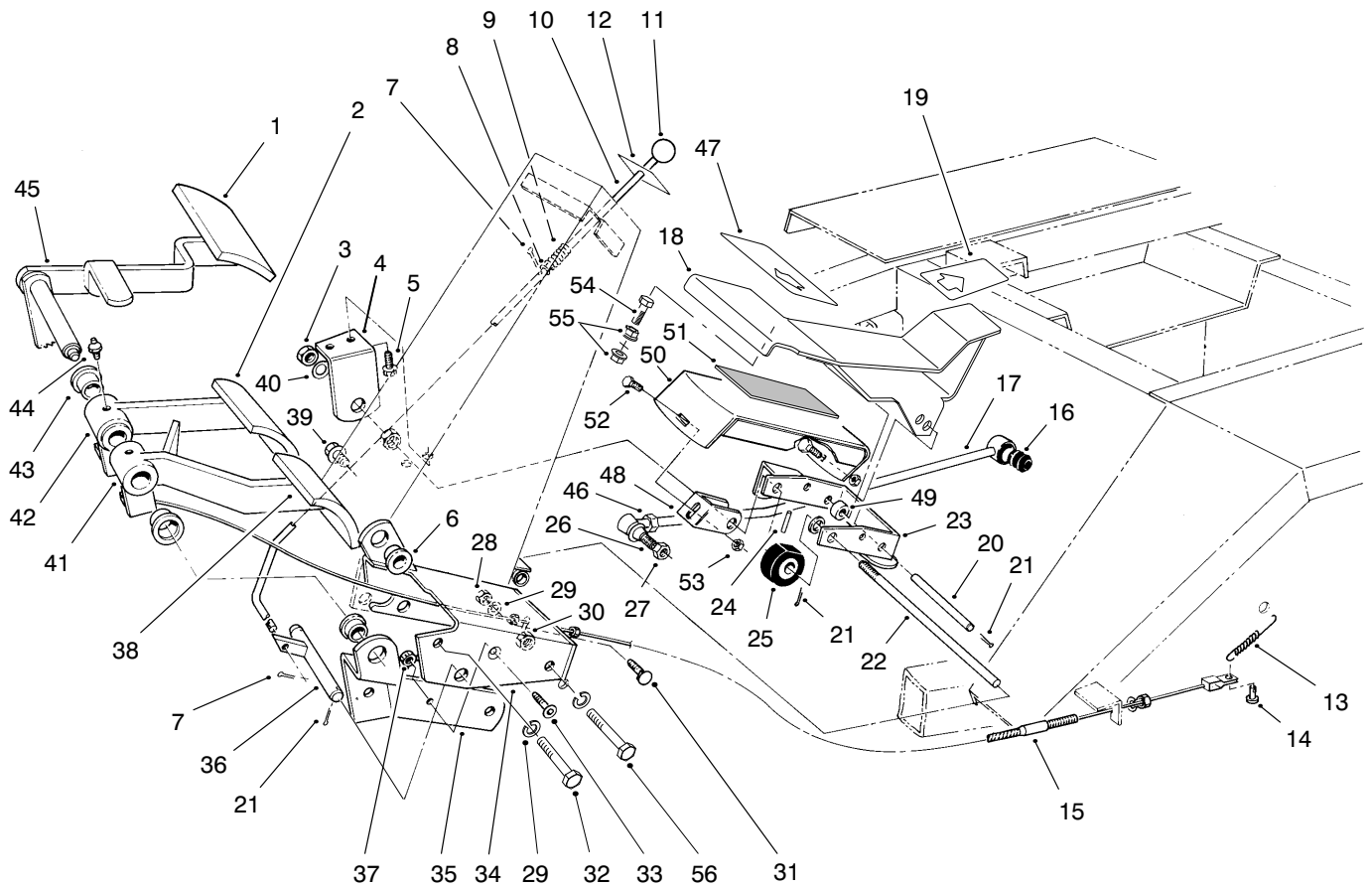
T-0413-3

POWER TAKE OFF ASSEMBLY (Continued)

Ref. No.	Part No.	Description	No. Used
53	212-93	Wire Clip	1
54	21-1600	Clamp P.T.O. Lever	1
55	3253-21	Washer-Lock	4
56	32104-6	Screw-TAP	4
66	43-8600	Spring-Compression	1
67	43-8860	Plunger-Switch	1
68	43-8620	Guide-Switch Pin	1
69	237-7	O-Ring	1
70	218-461	Nut-Jam	2
71	43-8870	Boot-Switch	1

Ref. No.	Part No.	Description	No. Used
72	321-4	Screw-HH	1
73	86-7050	Bracket-Switch Actuator	1
74	3296-16	Nut-Lock	1
75	75-9890	Washer-Shim	AR
*	43-9071	Asm-Switch Incl. Ref. #3-5, & 66-71; Qty. 1 of #70)	1
*	93-9996	Asm-Drive Shaft (Incl. Ref. #57-63)	1

*Not Illustrated

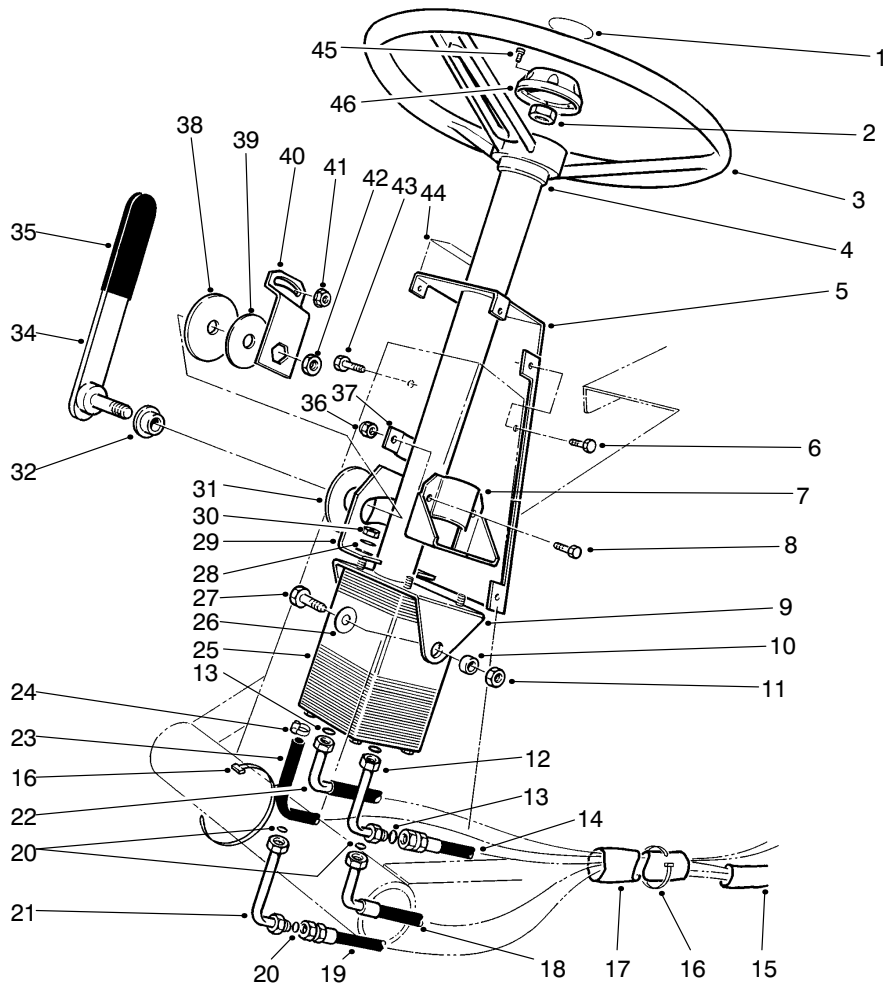


T-0415-4

BRAKE PEDAL ASSEMBLY

Ref. No.	Part No.	Description	No. Used	Ref. No.	Part No.	Description	No. Used
1	7-3900	Pad-Brake	1	29	3253-21	Washer-Lock	4
2	27-7580	Pad-Right Turn	1	30	32153-2	Nut-Lock	2
3	3218-5	Nut-Jam	2	31	3231-21	Bolt-Carriage	2
4	21-2850	Mount-R.H. Pedal	1	32	323-13	Screw-HH	1
5	11-0590	Screw-TAP	2	33	3274-47	Screw-HSFH	1
6	256-156	Bushing	5	34	27-7590	Mount-Brake	1
7	3272-5	Cotter Pin	3	35	27-9270	Mount-Brake Pivot Shaft	1
8	3256-22	Washer-Flat	1	36	27-7640	Shaft-Brake Latch	1
9	95-1821	Spring-Compression	1	37	32149-2	Nut	1
10	82-8670	Rod-Brake Latch	1	38	27-7570	Pad-Left Turn	1
11	233-17	Knob	1	39	3234-11	Screw-HH	3
12	82-8930	Decal-Parking Brake	1	40	3256-26	Washer-Flat	1
13	3-7243	Spring-Extension	2	41	27-7490	Pedal-L.H. Brake (Incl. Ref. #43)	1
14	283-58	Clevis Pin	2	42	27-7510	Pedal-R.H. Brake (Incl. Ref. #43)	1
15	21-3380	Cable-L.H. Brake	1	43	256-10	Bushing	4
*	21-3370	Cable-R.H. Brake	1	44	302-5	Fitting-Grease	2
16	23-2270	Bushing-Rubber	1	45	27-8550	Pedal-Parking Brake	1
17	23-2240	Rod-Pump Control	1	46	3220-5	Nut-Jam	1
18	94-3304	Pedal-Traction	1	47	94-3307	Pad-Front Pedal	1
19	94-3308	Pad-Pedal	1	48	88-1680	Bracket-Footrest	1
20	88-1640	Pin-Traction Pedal	1	49	88-0470	Tube-Pedal Spacer	1
21	3272-6	Cotter Pin	6	50	88-1710	Footrest	1
22	88-1650	Shaft-Traction Pedal	1	51	88-1720	Pad-Footrest	1
23	88-1670	Bracket-Pivot (Incl. Ref. #6)	1	52	3230-1	Bolt-Carriage	2
24	32121-16	Pin-Roll	1	53	32128-25	Nut-HFH	2
25	28-5220	Wheel-Friction	1	54	323-42	Screw-HH	1
26	21-0141	Asm-Socket R.H.	1	55	32128-43	Nut-HFH	2
27	3220-3	Nut-Jam	1	56	323-14	Screw-HH	1
28	3217-7	Nut-Hex	2				

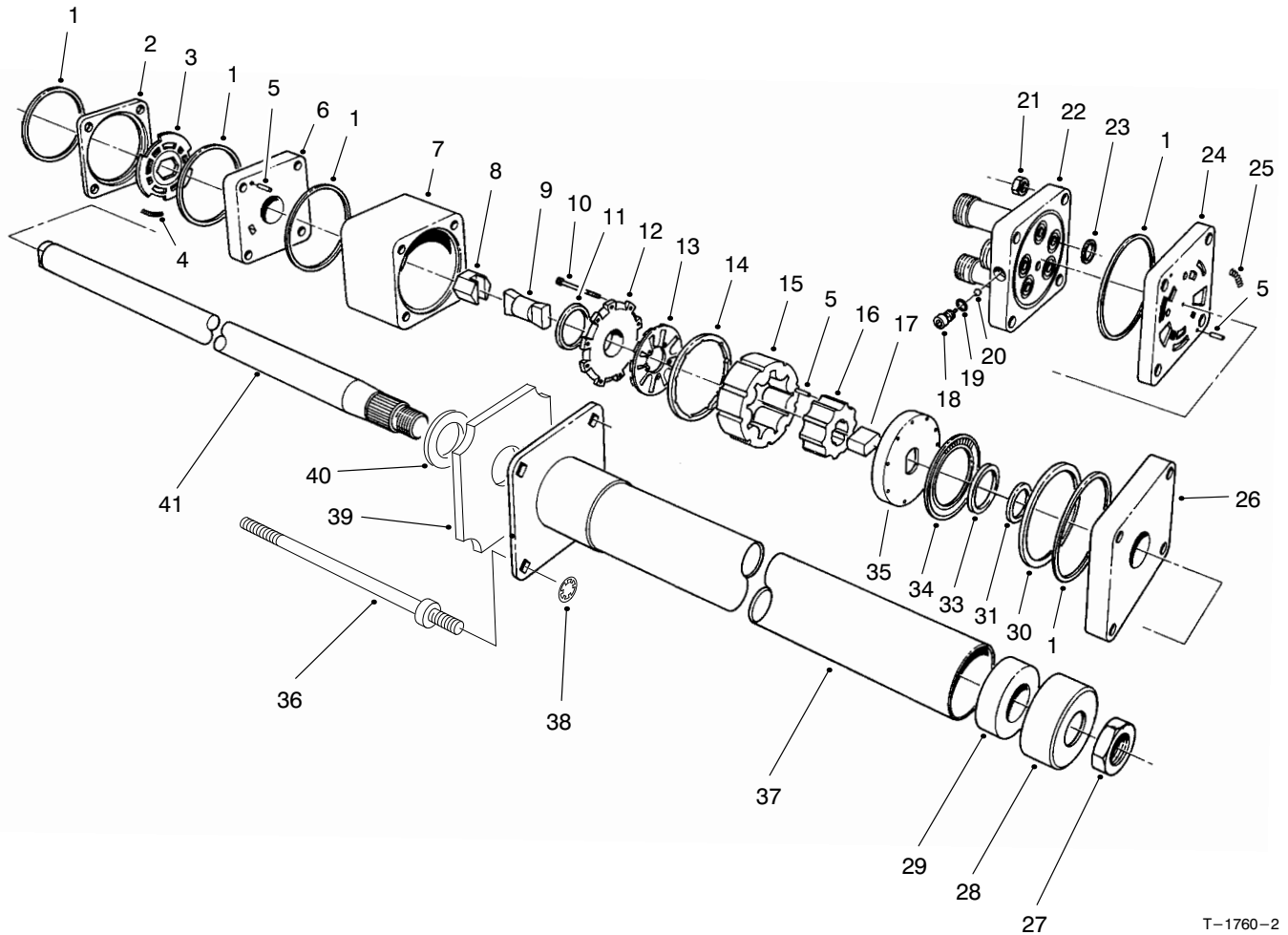
*Not Illustrated



T-1187-3

POWER STEERING ASSEMBLY

Ref. No.	Part No.	Description	No. Used	Ref. No.	Part No.	Description	No. Used
1	68-5370	Decal-Toro	1	23	63-8990	Hose	1
2	66-9760	Nut-Hex.	1	24	2412-36	Clamp	2
3	75-0560	Asm-Steering Wheel (Incl. Ref. #45 & 46)	1	25	92-7308	Valve-Steering, Power	1
4	21-9260	Cover-Dust	1	26	3256-46	Washer-Flat	2
5	82-8660	Cover-Tower	1	27	323-6	Screw-HH	2
6	32144-10	Screw-TAP	6	28	3256-3	Washer-Flat	4
7	67-8690	Support-Column	1	29	80-2940	Plate-Pivot	1
8	3234-17	Screw-HH	2	30	3296-20	Nut-Lock	4
9	77-3120	Bracket-Mount, Column	1	31	31-0390	Disc-Friction	1
10	80-2960	Spacer-Tower	2	32	80-2980	Boss-Pin	1
11	32153-2	Nut-Hex.	2	34	93-1353	Lever-Steering, Tilt	1
12	82-8760	Elbow	1	35	21-1880	Grip-Handle	1
13	237-30	O-Ring	3	36	3296-29	Nut-Lock	2
14	63-8970	Hose-Trans. to Steering	1	37	82-8650	Clamp-Half	1
15	70-1390	Sleeve-Protective	1	38	82-9010	Disc-Friction	1
16	3290-379	Tie-Cable	3	39	80-2930	Washer	1
17	70-1380	Sleeve-Protective	1	40	80-2880	Bracket-Steering, Tilt	1
18	68-9730	Hose-Steering to Cylinder	1	41	32128-20	Nut-Flange	1
19	68-9720	Hose-Cylinder to Steering	1	42	3218-7	Nut-Jam	1
20	237-22	O-Ring	3	43	322-4	Screw-HH	1
21	82-8770	Elbow	1	44	82-8940	Decal-Steering, Tilt	1
22	63-8980	Hose-Aux. to Valve	1	45	32144-21	Screw	1
				46	68-5140	Cap-Wheel, Steering	1



T-1760-2

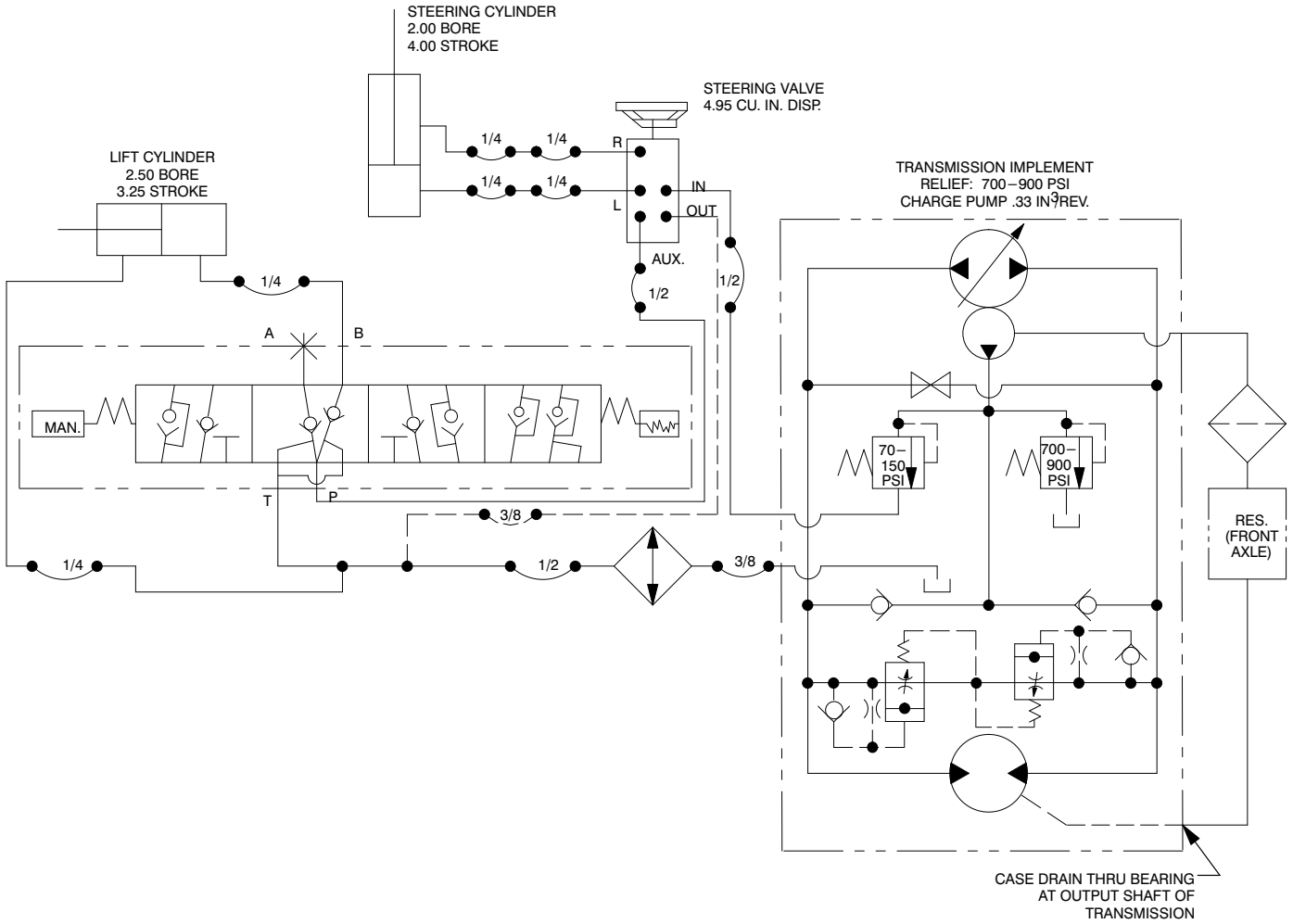
POWER STEERING VALVE ASSEMBLY NO. 92-7308

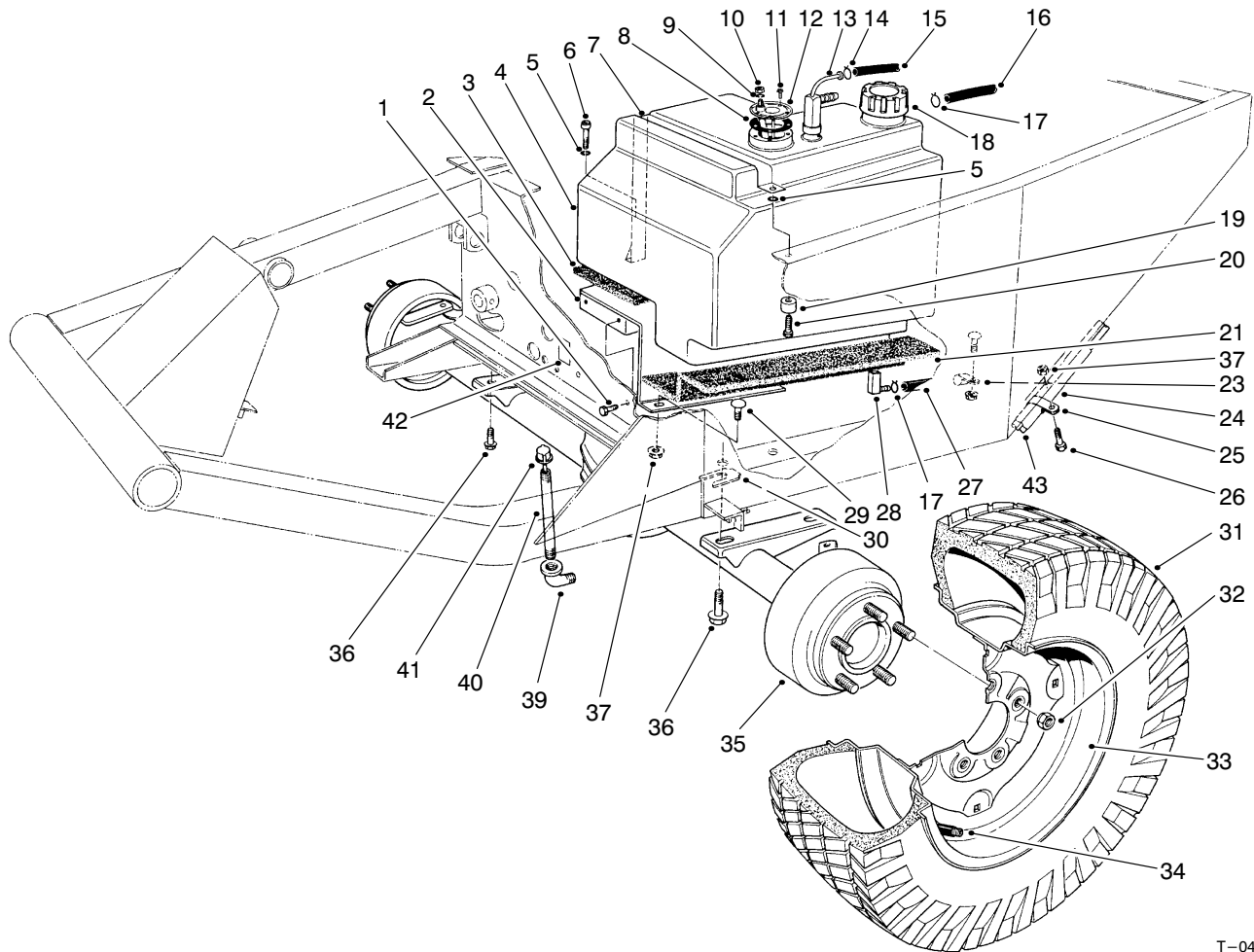
Ref. No.	Part No.	Description	No. Used
1		Ring-Seal	5
2		Ring-Valve	1
3		Plate-Valve	1
4		Spring	3
5		Pin-Alignment	9
6		Manifold-Isolation	1
7		Ring-Metering	1
8		Asm-Hex Drive	1
9		Link-Drive	1
10		Screw-HSH	11
11		Seal-Commutator	1
12		Cover-Commutator	1
13		Commutator	1
14		Ring-Commutator	1
15		Stator	1
16		Rotor	1
17		Spacer-Drive Link	1
18		Plug	1
19		O-Ring	1
20		Ball	1
21		Nut-Hex	4
22		Cover-Port	1
23		O-Ring	5
24		Manifold-Port	1
25		Spring	3

Ref. No.	Part No.	Description	No. Used
26		Plate-Upper Cover	1
27	3220-6	Nut	1
28	92-7315	Seal	1
29		Bearing	1
30		Spacer-Thrust Bearing	1
31		Spacer-Seal	1
33		Seal-Face	1
34		Bearing-Thrust	1
35		Plate-Drive	1
36	92-7310	Bolt-Special	4
37		Upper Cover & Jacket	1
38	92-7316	Nut-Push On	4
39	92-7317	Foam	1
40		Washer-Retaining	1
41		Shaft-Input	1
*	66-9970	Kit-Spring (Incl. Ref. #4 & 25)	1
*	66-9980	Kit-Seal (Incl. Ref. #1, 11, 19, 23 & 33)	1
*	66-9990	Kit-Needle Roller (Incl. Ref. #5)	1
*	92-7314	Asm-Column (Incl. Ref. #27-29 & 37-41)	1

*Not Illustrated

HYDRAULIC SCHEMATIC



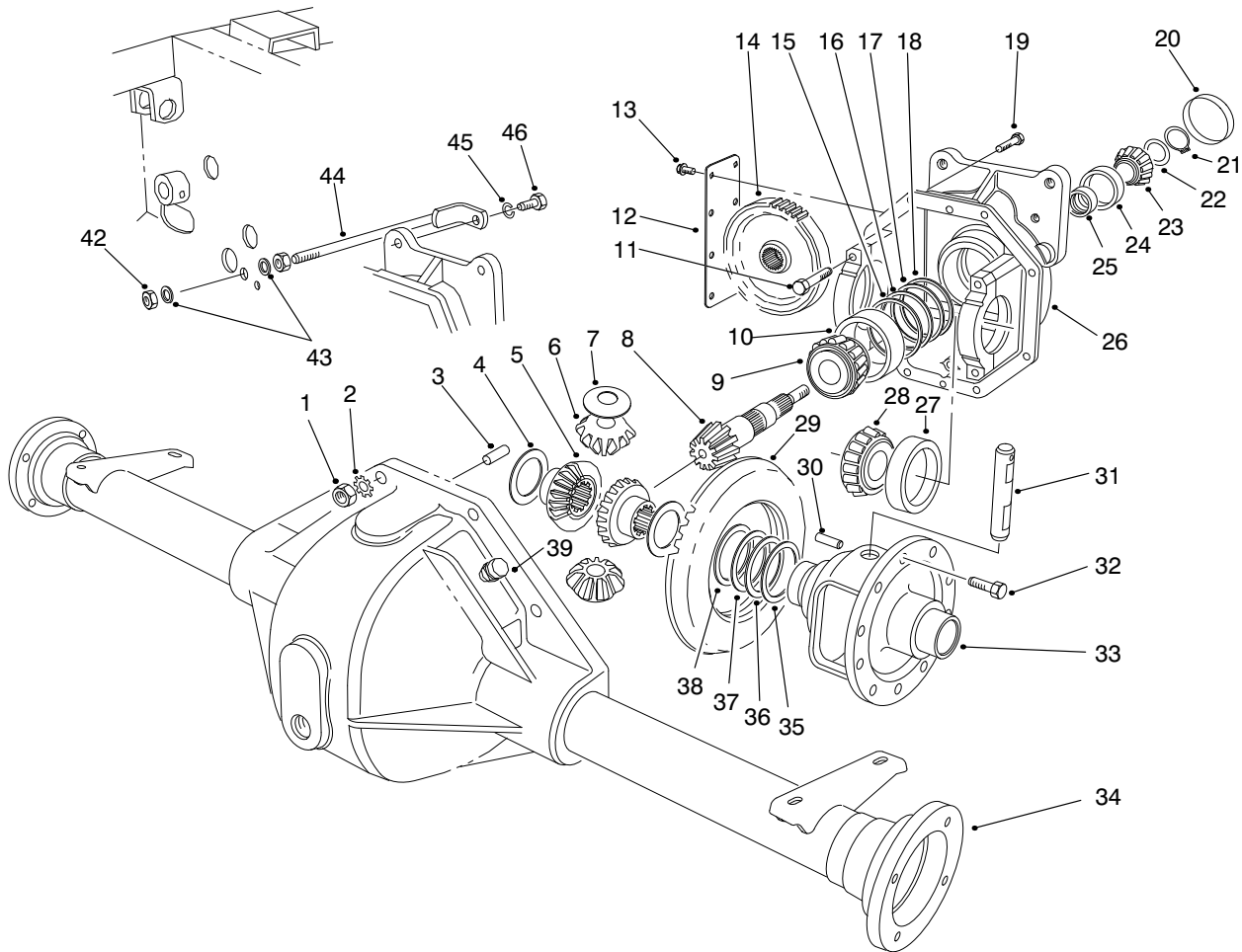


T-0419-3

FRONT AXLE & FUEL TANK ASSEMBLY

Ref. No.	Part No.	Description	No. Used	Ref. No.	Part No.	Description	No. Used
1	3234-11	Screw-HHF	2	29	3230-2	Bolt-Carriage	3
2	68-9760	Fuel Tank Base	1	30	42-6080	Shim-Axle	AR
3	21-3600	Foam-Tank Support	1	31	231-101	Tire	2
4	43-4150	Fuel Tank (Incl. Ref. #13 & 14)	1	*	231-95	Tire-23" x10.5" x12" 4 Ply (Optional)	2
5	3253-3	Washer-Lock	2	*	69-9880	Tire-23" x10.5" x12" 6 Ply (Optional)	2
6	32104-96	Screw-TAP	1	32	23-7270	Nut-Wheel	10
7	37-9550	Strap-Fuel Tank	1	33	217-117	Rim	2
8	62-7650	Gasket	1	*	217-116	Rim-23" x10.5" x12" (Optional)	2
9	3253-17	Washer-Lock	1	34	232-31	Valve Stem w/Cap	2
10	3219-14	Nut	1	*	232-27	Valve Stem (For 23" x10.5" x12" Rim)	1
11	32144-53	Screw-TAP	5	35	86-9600	Asm-Differential	1
12	62-6840	Sender-Fuel Level	1	36	32144-67	Screw-TAP	4
13	43-4160	Fitting-Return & Vent	1	37	32128-20	Nut-Flange	4
14	2412-79	Clamp	1	39	2811-9	Street Elbow	1
15	43-4230	Hose Return	1	40	289-37	Pipe Nipple	1
16	43-5690	Hose-Vent, Fuel Tank	1	41	23-5180	Dipstick	1
17	2412-6	Clamp	2	42	53-4430	Decal-Oil	1
18	55-3572	Fuel Cap	1	43	68-9710	Hose-Steering Cylinder	2
19	22-7810	Spacer	1	*	231-90	Tube-Inner	2
20	321-6	Screw-HH	1	*	62-7020	Asm-Wheel & Tire-23" x 10.5" x 12" 4 Ply (Optional)	2
21	21-3610	Foam-Tank Support	1	*	69-9870	Asm-Wheel & Tire-23" x 10.5" x 12" 6 Ply (Optional)	2
23	2412-4	Clamp	1				
24	56-7980	Sleeve-Protective	1				
25	2412-126	R-Clamp	1				
26	322-4	Screw-HH	1				
27	63-9640	Hose Fuel	1				
28	43-4190	Asm-Fitting	1				

*Not Illustrated



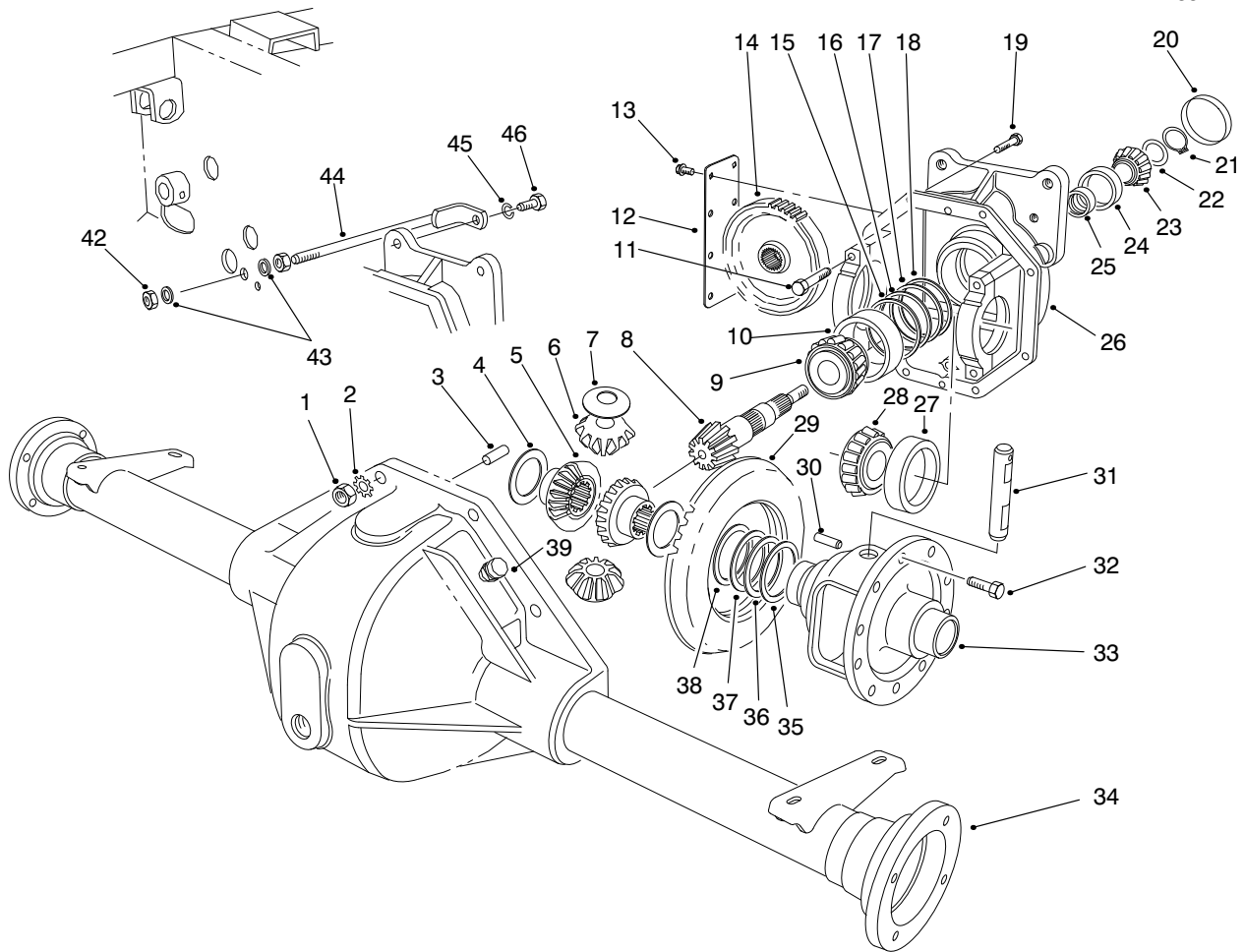
T-0919-2

DIFFERENTIAL ASSEMBLY NO. 86-9600

Ref. No.	Part No.	Description	No. Used
1	3219-2	Nut	8
2	3255-8	Washer-Lock	8
3	21-8270	Dowel Pin	2
4	21-7720	Thrust Washer	2
5	24-8790	Differential Bevel Gear Side	2
6	21-7690	Pinion Gear	2
7	21-7730	Thrust Washer	2
8		Drive Pinion (Incl. Ref. #29)	1
9	43-6760	Roller Bearing Cone	1
10	43-6750	Roller Bearing Cup	1
11	92-1773	Screw-HH	4
12	21-7830	Gear Cover	1
13	12-5450	Screw-TAP	8
14	86-7230	Spur-Gear	1
15	43-6710	Adjustment Shim .003	AR
16	43-6711	Adjustment Shim .005	AR
17	43-6712	Adjustment Shim .010	AR
18	43-6713	Adjustment Shim .030	AR
19	3210-7	Screw-HH	8
20	21-7850	Cup-Plug	1
21	43-6550	Snap Ring	1
22	46-2210	Shim-Front Pinion Bearing (.031)	AR
*	46-2211	Shim-Front Pinion Bearing (.033)	AR

Ref. No.	Part No.	Description	No. Used
*22	46-2212	Shim-Front Pinion Bearing (.035)	AR
*	46-2213	Shim-Front Pinion Bearing (.037)	AR
*	46-2214	Shim-Front Pinion Bearing (.039)	AR
*	46-2215	Shim-Front Pinion Bearing (.041)	AR/
*	46-2216	Shim-Front Pinion Bearing (.043)	AR
*	46-2220	Shim-Front Pinion Bearing (.045)	AR
*	46-2221	Shim-Front Pinion Bearing (.047)	AR
*	46-2222	Shim-Front Pinion Bearing (.049)	AR
*	46-2223	Shim-Front Pinion Bearing (.051)	AR
*	46-2224	Shim-Front Pinion Bearing (.053)	AR
*	46-2225	Shim-Front Pinion Bearing (.055)	AR
*	46-2226	Shim-Front Pinion Bearing (.057)	AR
*	46-2410	Shim-Front Pinion Bearing (.062)	AR

*Not Illustrated



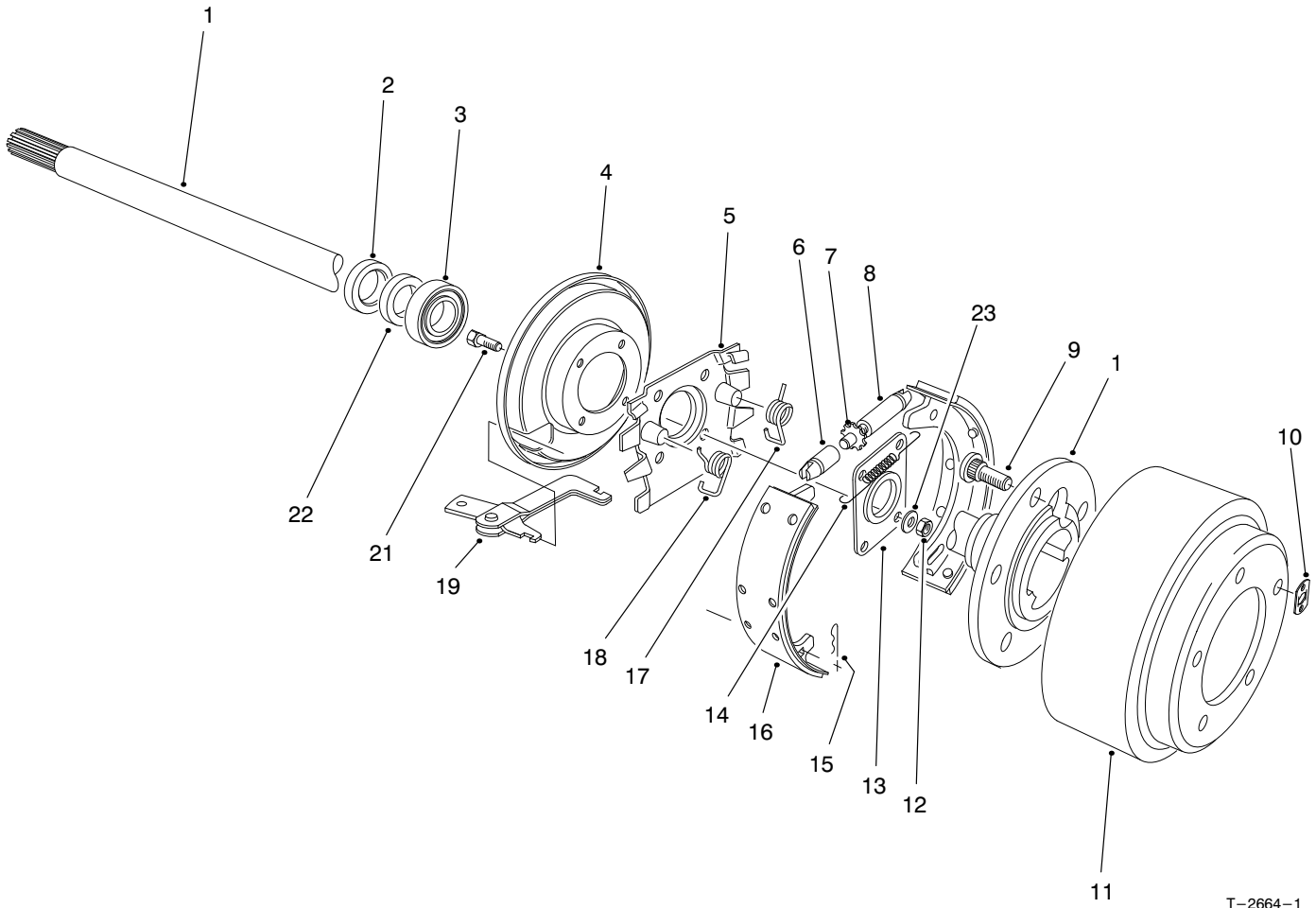
T-0919-2

DIFFERENTIAL ASSEMBLY NO. 86-9600 (Continued)

Ref. No.	Part No.	Description	No. Used	Ref. No.	Part No.	Description	No. Used
*22	46-2411	Shim—Front Pinion Bearing (.064)	AR	24	254-90	Bearing Cup	1
*	46-2412	Shim—Front Pinion Bearing (.066)	AR	25	21-8020	Spacer—Pinion Bearing	1
*	46-2413	Shim—Front Pinion Bearing (.068)	AR	26	86-9580	Upper Housing (Incl. Ref. #11)	1
*	46-2414	Shim—Front Pinion Bearing (.070)	AR	27	254-66	Cup—Tapered Bearing	2
*	46-2415	Shim—Front Pinion Bearing (.072)	AR	28	254-65	Cone—Tapered Bearing	2
*	46-2416	Shim—Front Pinion Bearing (.074)	AR	29		Ring Gear	1
*	46-2420	Shim—Front Pinion Bearing (.076)	AR	30	32121-15	Roll Pin	1
*	46-2421	Shim—Front Pinion Bearing (.078)	AR	31	21-7700	Pinion Mate Shaft	1
*	46-2422	Shim—Front Pinion Bearing (.080)	AR	32	21-7770	Drive Gear Screw	5
*	46-2423	Shim—Front Pinion Bearing (.082)	AR	33	21-7670	Differential Case	1
*	46-2424	Shim—Front Pinion Bearing (.084)	AR	34	43-6840	Lower Housing	1
*22	46-2425	Shim—Front Pinion Bearing (.086)	AR	35	21-8120	Adjustment Shim .030	AR
*	46-2426	Shim—Front Pinion Bearing (.088)	AR	36	21-8110	Adjustment Shim .010	AR
23	254-91	Bearing Cone	1	37	21-8100	Adjustment Shim .005	AR
				38	21-8090	Adjustment Shim .003	AR
				39	72-9420	Asm—Vent Tube	1
				†42	3217-9	Nut	2
				†43	3256-6	Washer—Flat	2
				†44	24-9830	Support—Axle	1
				†45	3253-21	Washer—Lock	1
				†46	323-6	Screw—HH	1
				*	92-4903	Asm—Upper Hsg., 2WD (Incl. Ref. #4-33 & 35-38)	1
				*	92-4848	Asm—Gear & Pinion (Incl. Ref. #8 & 29)	1

*Not Illustrated

† Not included in differential assembly.



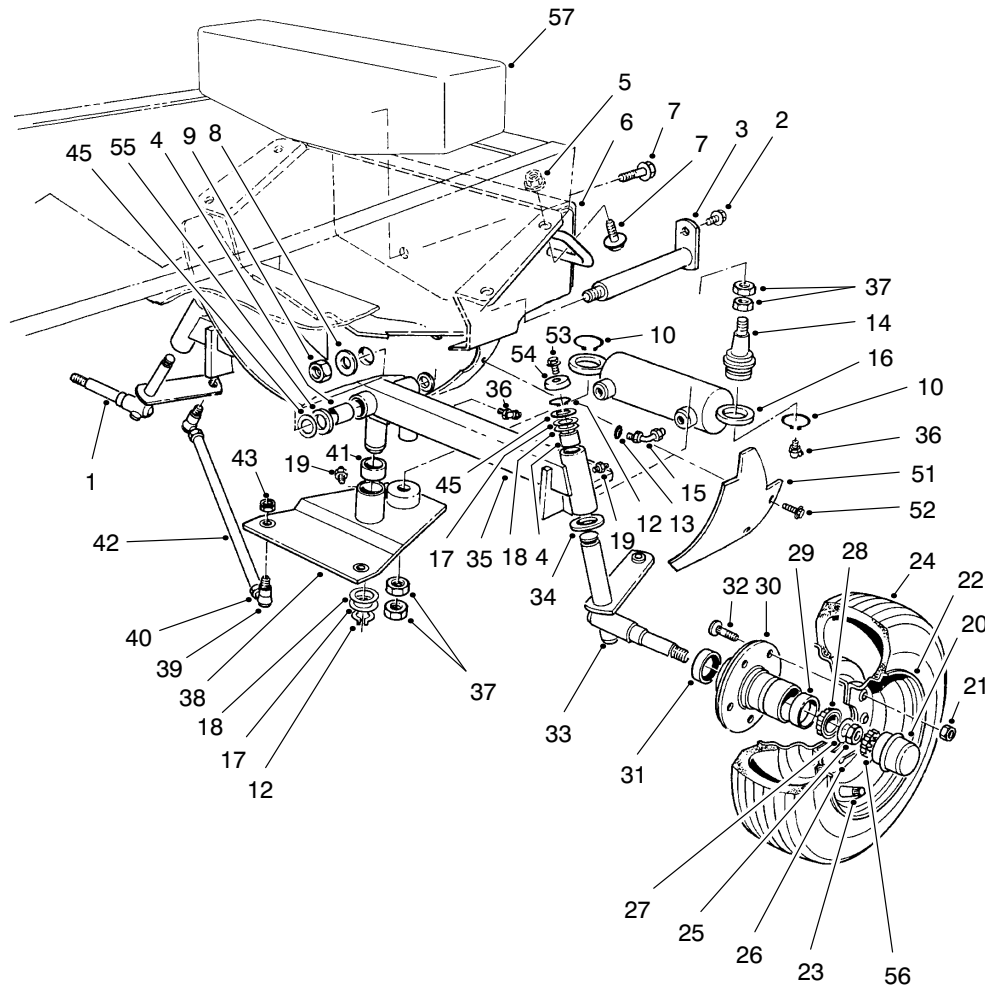
T-2664-1

BRAKE ASSEMBLY

Ref. No.	Part No.	Description	No. Used
1	28-0650	Flanged Axle Shaft	2
2	92-1774	Oil Seal	2
3	21-8180	Bearing	2
4	21-9450	Dust Shield	2
5	43-6810	Torque-Spider	2
6	21-9390	Socket-Adjusting Screw	2
7	21-9370	Screw-Adjusting	2
8	21-9380	Nut-Pivot	2
9	242-34	Axle Flange Stud	10
10	21-8360	Clip-Retaining	2
11	28-0680	Brake Drum	2
12	94-6935	Nut-Lock	8

Ref. No.	Part No.	Description	No. Used
13	28-0670	Oil Seal	2
14	21-9440	Spring-Adjusting Screw	2
15	21-9460	Retainer-Brake Lever	4
16	84-8600	Shoe & Lining Assembly (Set of 4)	1
17	21-9420	Spring-Shoe Return L.H.	2
18	21-9430	Spring-Shoe Return R.H.	2
19	24-9180	Strut & Lever Parking Brake	2
21	94-6934	Screw-Socket Head	8
22	24-8840	Ring-Wheel Bearing	2
23	94-6936	Washer	8
†	92-8775	Gasket Kit-Wheel Bearing	1

†One Kit required to do both gaskets.

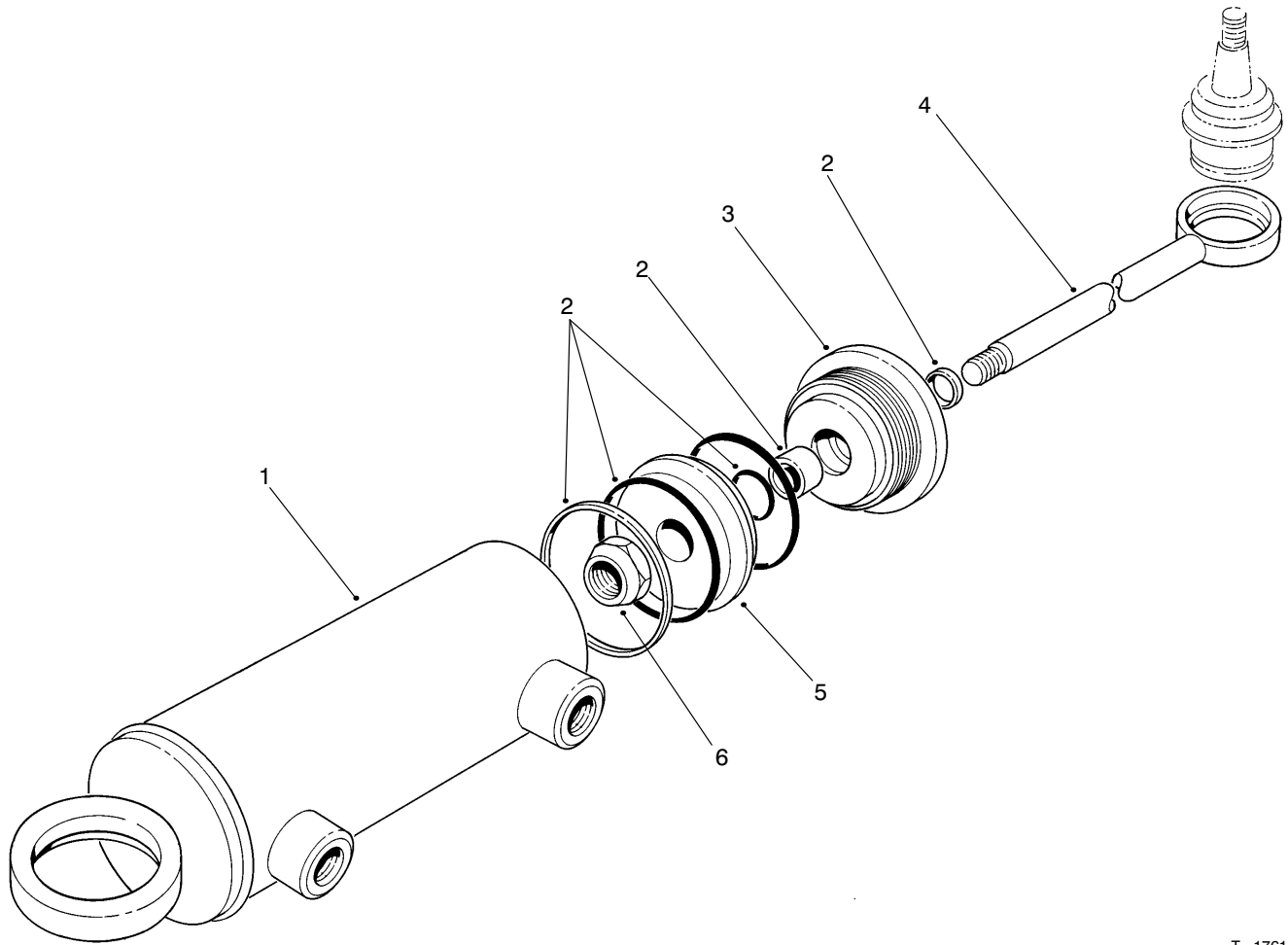


T-2808

REAR AXLE & WHEEL ASSEMBLY

Ref. No.	Part No.	Description	No. Used	Ref. No.	Part No.	Description	No. Used
1	93-3199	Asm-Spindle R.H.	1	30	21-2820	Hub Wheel (Incl. Ref. #29 & 32)	2
2	32144-14	Screw-TAP	2	31	253-129	Closure	2
3	92-7807	Pin-Rear Axle	1	32	10-6830	Stud-Drive	10
4	67-1750	Bushing	6	33	93-3198	Asm-Spindle L.H.	1
5	32128-23	Nut-Lock, Flange	4	34	256-121	Bushing-Thrust	2
6	92-7803	Support-Axle	1	35	92-7816	Axle-Rear (Incl. Ref. #4)	1
7	3234-32	Screw-HHF	6	36	302-11	Fitting-Grease	3
8	71-4540	Washer-Thrust	AR	37	3220-6	Nut-Jam	4
9	32146-20	Nut-Lock	1	38	92-7821	Steering Pivot (Incl. Ref. #41)	1
10	32151-104	Ring-Retaining	2	39	21-0141	Asm-Socket R.H. Thd.	2
12	32151-36	Ring-Retaining	3	*	21-0151	Asm-Socket L.H. Thd.	2
13	237-22	O-Ring	2	40	3220-5	Nut-Jam, R.H. Thd.	2
14	92-5838	Ball Joint	2	*	3220-12	Nut-Jam, L.H. Thd.	2
15	340-54	Fitting 45°	2	41	256-242	Bushing	2
16	92-7828	Cylinder-Hydraulic	1	42	21-2000	Tie Rod	2
17	5-1226	Washer	3	43	3220-3	Nut-Jam	8
18	10-8110	Washer-Thrust	AR	45	56-2460	Washer	AR
19	302-5	Fitting-Grease	3	51	93-7042	Cover Flywheel Guard	1
20	241-119	Dust Cap	2	52	32144-10	Screw-TAP	2
21	242-50	Nut-Wheel	10	53	3234-13	Screw	2
22	217-106	Wheel	2	54	66-2990	Cap-Spindle	2
23	232-31	Valve Stem w/Cap	2	55	92-7845	Spacer-Hardened	1
24	231-105	Tire	2	56	93-0307	Nut-Retainer, Lock	2
25	3220-7	Nut-Jam	2	57	67-8960	Weight-Rear	1
26	3272-13	Pin-Cotter	2				
27	93-0309	Washer-Tab	2				
28	254-94	Cone-Bearing	4				
29	254-72	Cup-Bearing	4				

*Not Illustrated

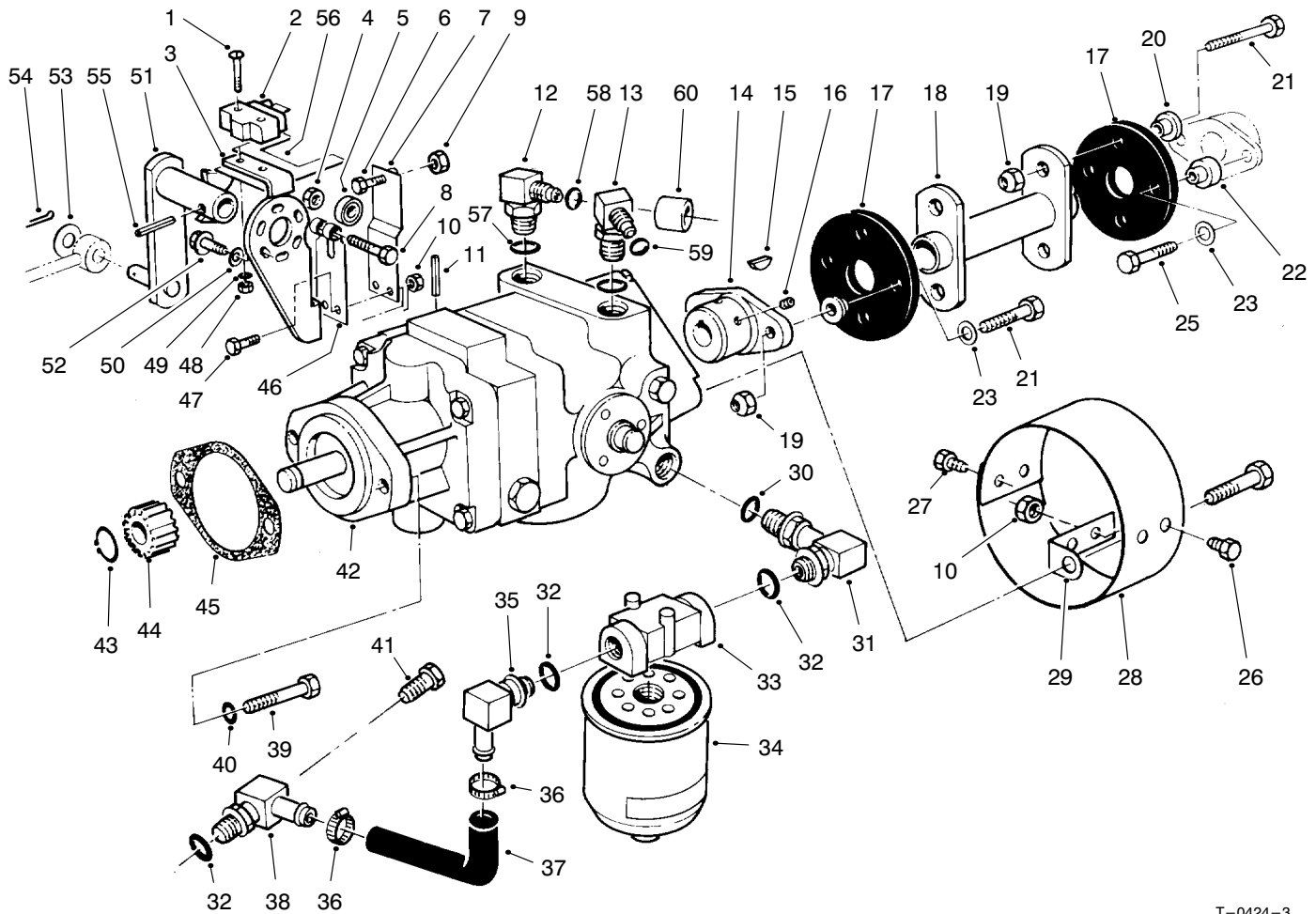


T-1761-2

HYDRAULIC STEERING CYLINDER

Ref. No.	Part No.	Description	No. Used
1		Asm-Tube	1
2	92-6593	Seal Kit	1
3	92-6588	Gland	1
4		Asm-Piston Rod	1
5	66-1940	Piston	1

Ref. No.	Part No.	Description	No. Used
6	66-1930	Nut-Lock	1
*	92-7828	Cylinder-Hyd. Steering (Incl. Ref. #1-6)	1

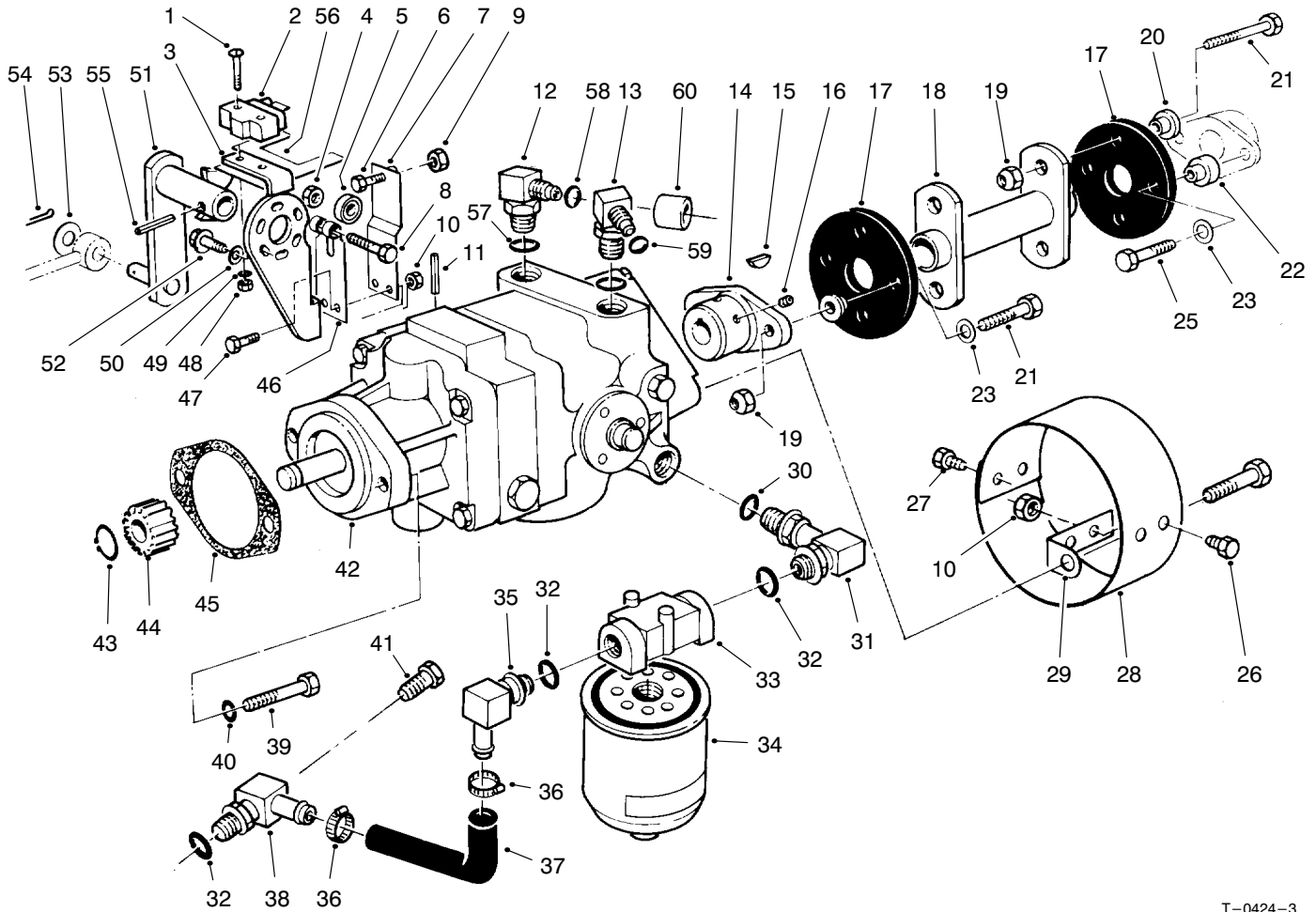


T-0424-3

HYDROSTATIC TRANSMISSION

Ref. No.	Part No.	Description	No. Used	Ref. No.	Part No.	Description	No. Used
1	3249-11	Screw-Mach. Rd. Hd.	2	28	54-9300	Cover	1
2	29-6163	Micro Switch	1	29	54-9290	Bracket	2
3	29-6120	Pump Plate	1	30	237-80	O-Ring	1
4	3296-29	Nut-Lock	1	31	68-8660	Elbow	1
5	251-259	Ball Bearing	1	32	237-81	O-Ring	3
6	3210-7	Screw-HH	1	33	68-8990	Head-Filter	1
7	29-6170	Extended Leaf Spring	1	34	23-9740	Oil Filter	1
8	322-17	Screw-HH	1	*	95-3092	Kit-400 Hour Filter (Incl. Ref. #34)	1
9	3219-2	Nut-Hex	1	35	353-987	Elbow	1
10	3296-42	Nut-Lock	6	36	2412-34	Clamp-Hose	2
11	32121-6	Pin-Roll	1	37	68-9650	Hose-Axle	1
12	340-77	Elbow	1	38	70-2620	Elbow-90°	1
13	340-99	Elbow	1	39	323-7	Screw-HH	2
14	33-4380	Pump Hub	1	40	3253-21	Washer-Lock	2
15	3257-32	Woodruff Key	1	41	353-508	Plug-Drain	1
16	3241-5	Screw-Set, Sq. Hd.	2	42	92-8947	Transmission-Inline	1
17	44-2230	Rubber Coupling	2	43	32120-72	Ring-Retaining External	1
18	46-6390	Drive Coupling	1	44	86-7220	Gear Transmission Output	1
19	32152-1	Nut-Lock	8	45	41-8760	Gasket Transmission	1
20	27-6600	Spacer-Rubber Coupling	6	46	29-6150	Leaf Spring	1
21	322-6	Screw-HH	6	47	321-6	Screw-HH	2
22	27-6590	Spacer-Rubber Coupling	2	48	3217-16	Nut-Hex.	2
23	3256-3	Washer-Flat	4	49	3254-9	Washer-Lock	2
25	322-8	Screw-HH	2	50	3255-7	Washer-Lock	3
26	321-2	Screw-HH	2	51	28-9570	Pump Lever	1
27	321-4	Screw-HH	2				

*Not Illustrated

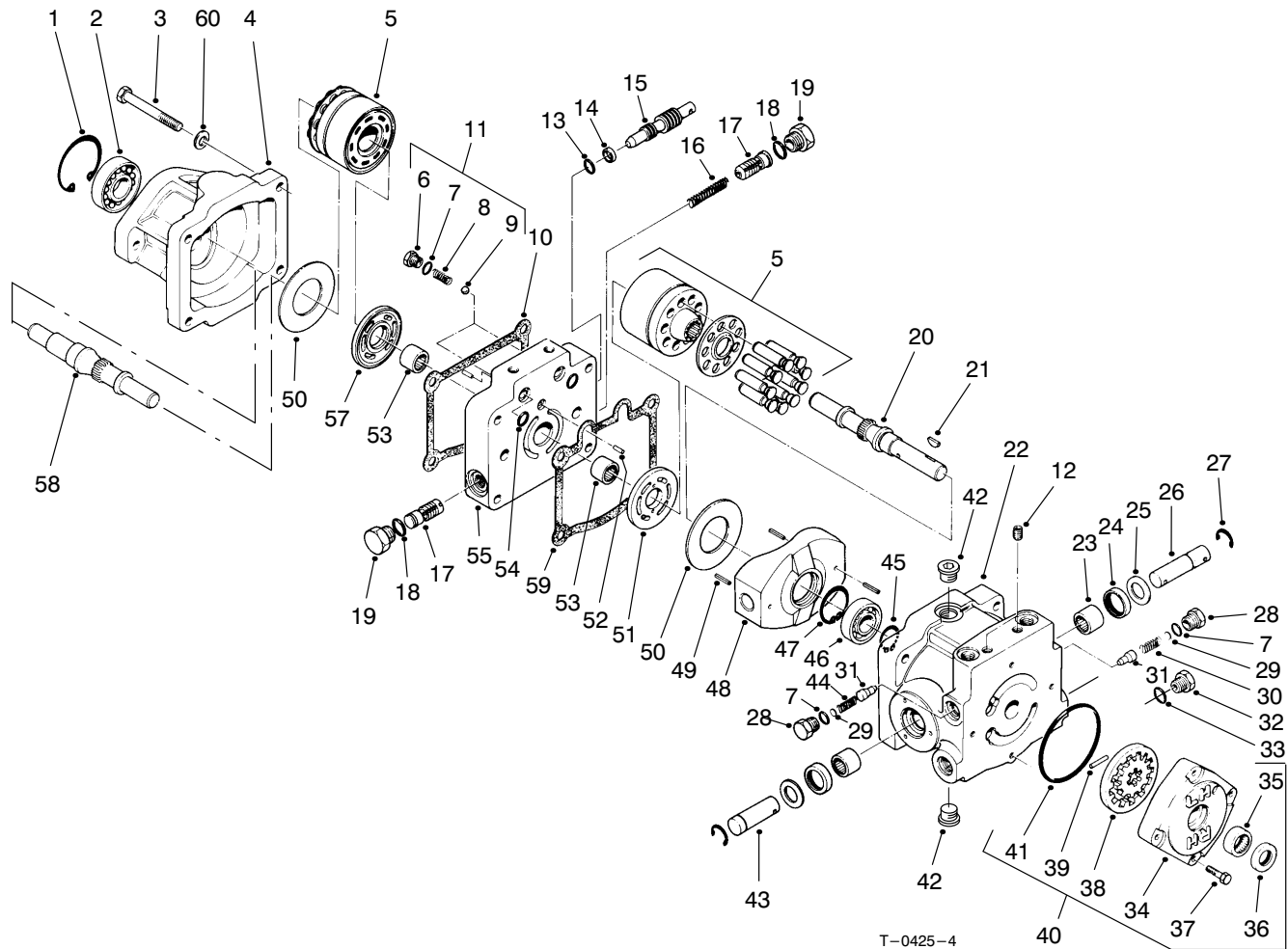


T-0424-3

HYDROSTATIC TRANSMISSION (Continued)

Ref. No.	Part No.	Description	No. Used
52	11-9760	Screw-TAP	3
53	3256-6	Washer-Flat	1
54	3272-10	Cotter Pin	1
55	32121-24	Pin-Roll	1
56	46-8810	Stop-Leaf Spring	1

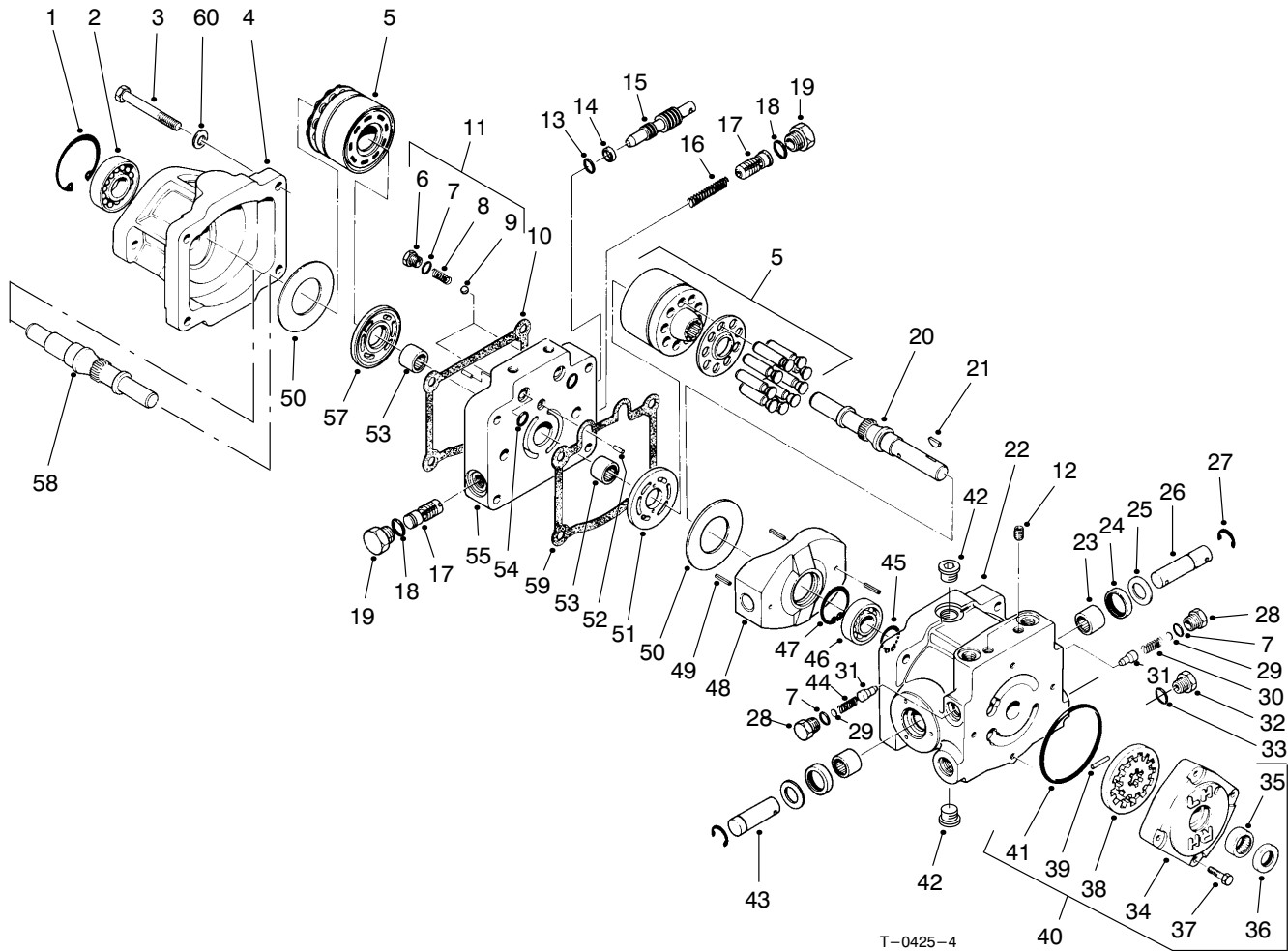
Ref. No.	Part No.	Description	No. Used
57	237-42	O-Ring	2
58	237-22	O-Ring	1
59	237-30	O-Ring	1
60	38-3400	Guard-Rubber	1



TRANSMISSION ASSEMBLY NO. 92-8947

Ref. No.	Part No.	Description	No. Used	Ref. No.	Part No.	Description	No. Used
1	32120-8	Retaining Ring	1	25	25-2510	Washer-Flat	2
2	72-3750	Ball Bearing	1	26	25-2580	Trunnion Shaft	1
3	323-56	Screw-HH	4	27	32151-46	Retaining Ring	2
4	67-9080	Motor Housing	1	28	25-2460	Plug-Hex. Hd.	2
5	48-1800	Kit-Cylinder Block	2	29	25-2470	Shim Pack	2
6	25-2650	Check Valve Plug	2	30	25-2570	Valve Spring	1
7	237-86	O-Ring	4	31	83-7260	Relief Valve Cone	2
8	25-2640	Valve Spring	2	32	353-551	Plug-Hex. Hd.	1
9	25-2490	Ball	2	33	237-80	O-Ring	1
10	67-9100	Gasket	1	34	25-2550	Charge Pump Housing	1
11		Kit-Check Valve (Incl. Ref. #6-9)	2	35	67-8050	Needle Bearing	1
12	285-17	Pipe Plug	4	36	93-4133	Lip Seal	1
13	237-22	O-Ring	1	37	322-4	Screw-HH	4
14	25-2630	Back-Up Ring	1	38	25-2680	Asm-Gerotor	1
15	25-2620	By-Pass Valve	1	39	25-2530	Headless Straight Pin	1
16	25-2610	Accel. Valve Spring	1	40	25-3190	Charge Pump (Incl. Ref. #34-39 & 41)	1
17	25-2410	Asm-Accel. Valve	2	41	237-95	O-Ring	1
18	76-1900	O-Ring	2	42	67-9090	Plug	2
19	353-550	Plug-Hex. Hd.	2	43	25-2500	Trunnion Shaft	1
20	67-8020	Pump Shaft	1	44	25-2480	Valve Spring	1
21	3257-32	Woodruff Key	1	45	32120-15	Retaining Ring	1
22	54-7890	Pump Housing (Incl. Ref. #12 & 23-25)	1	46	251-8	Ball Bearing	1
23	252-82	Needle Bearing	2	47	32120-11	Retaining Ring	1
24	25-3210	Lip Seal	2	48	25-2450	Variable Swashplate	1
				49	32121-91	Pin-Coil Spring	3

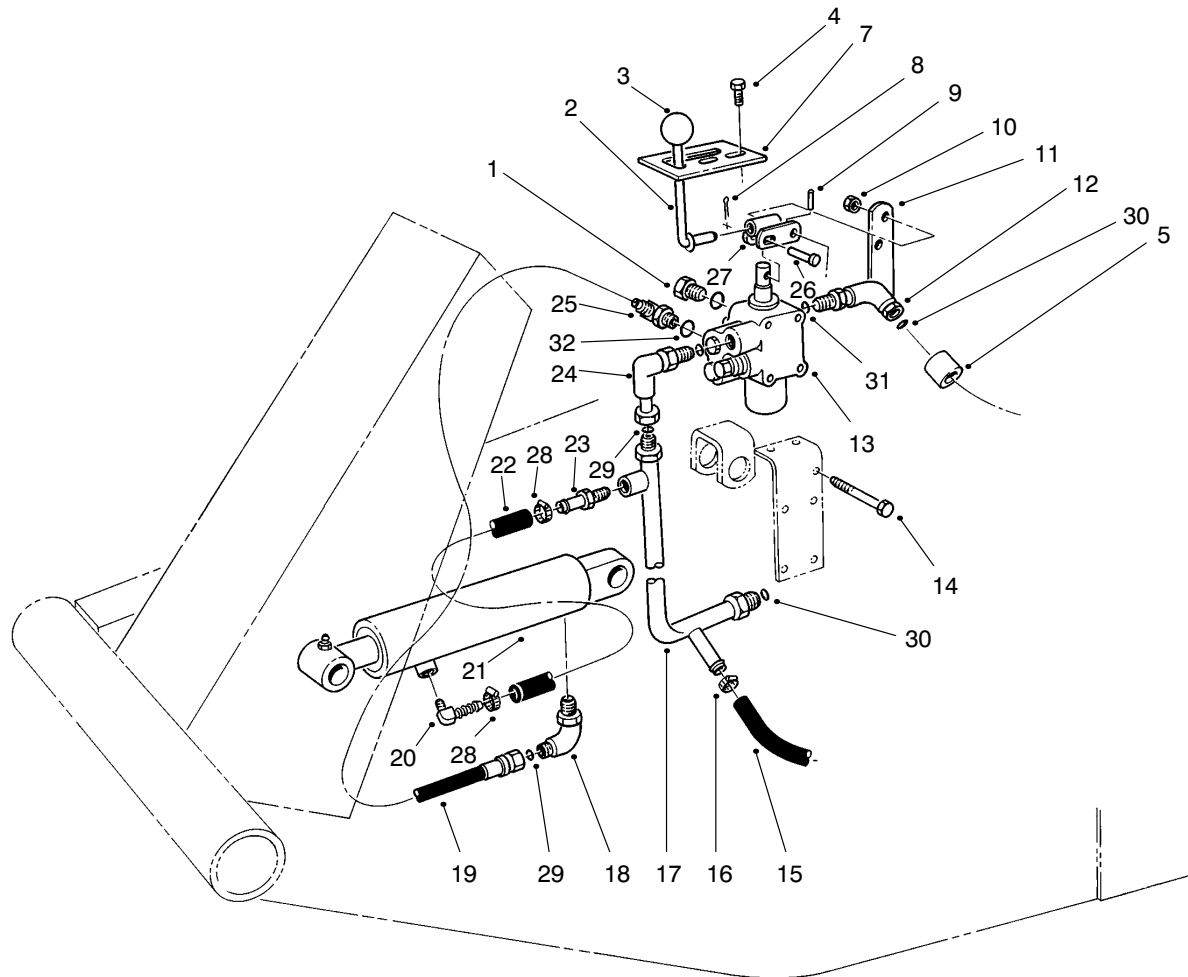
3317-144 REV F



TRANSMISSION ASSEMBLY NO. 92-8947 (Continued)

Ref. No.	Part No.	Description	No. Used
50	25-2380	Thrust Plate	2
51	25-2440	Pump Valve Plate	1
52	25-2430	Dowel Pin	2
53	46-8400	Needle Bearing	2
54	93-4132	O-Ring	2
55	92-8918	Center Section	1
57	25-2390	Motor Valve Plate	1

Ref. No.	Part No.	Description	No. Used
58	46-8410	Motor Shaft	1
59	25-2400	Gasket	1
60	93-0312	Washer-Hardened	4
61	92-8776	Plug (Incl. Ref. #62)	4
62	92-8777	O-Ring	4

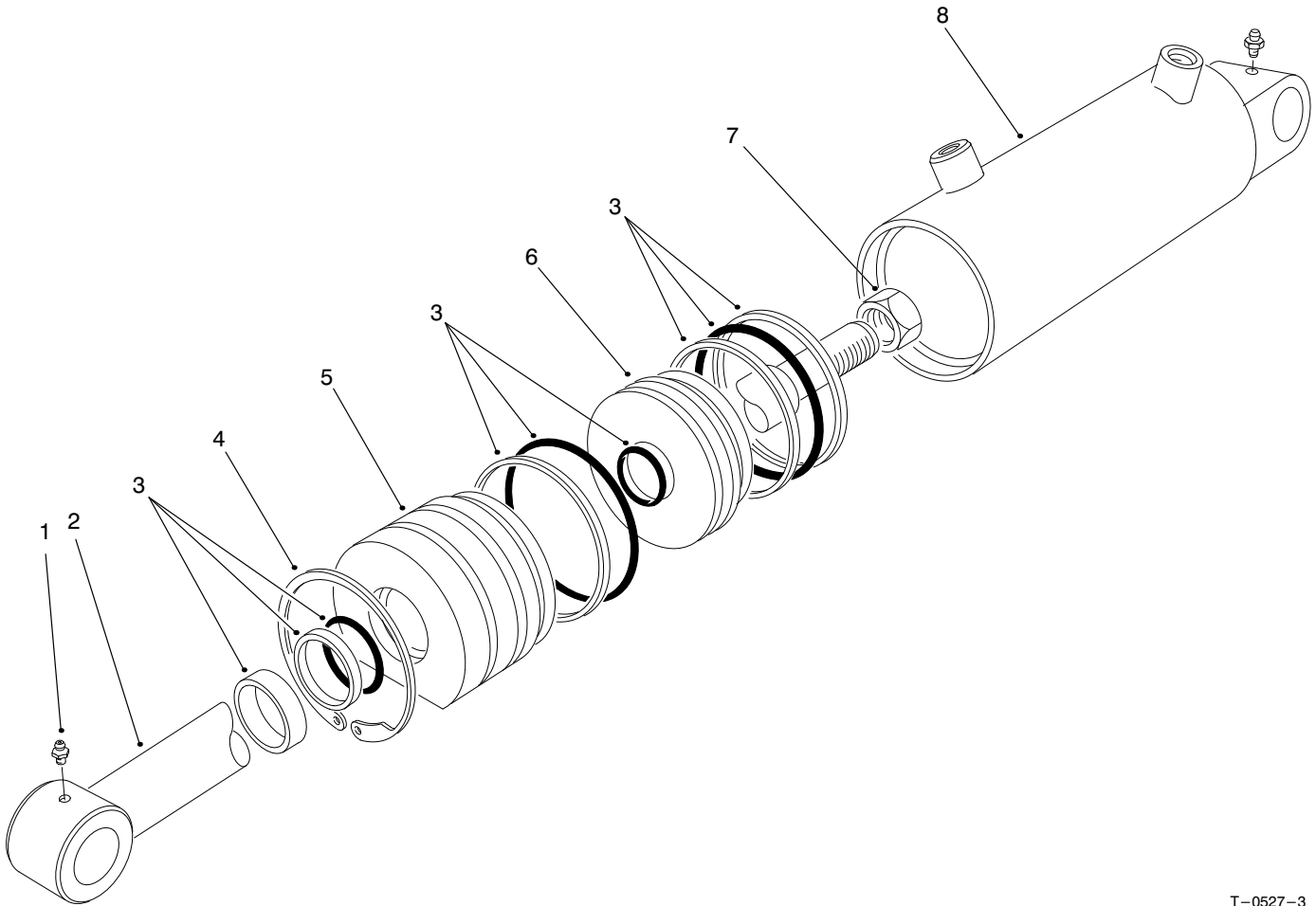


T-0426-4

VALVE & CYLINDER ASSEMBLY

Ref. No.	Part No.	Description	No. Used	Ref. No.	Part No.	Description	No. Used
1	353-512	Plug	1	19	92-7833	Hose--(Valve to Cylinder)	1
2	21-8620	Lever Valve	1	20	304-75	Fitting-90° Barb	1
3	233-21	Knob	1	21	62-4250	Cylinder-Hydraulic	1
4	32144-10	Screw-Self Tapping	2	*	66-1250	Cylinder-Hydraulic (Optional)	1
5	38-3400	Guard-Rubber	1	22	92-7834	Line-Hose	1
7	21-8640	Latch Valve Lever	1	23	304-73	Fitting-Straight Barb	1
8	3272-6	Cotter Pin	1	24	340-110	Elbow-90°	1
9	32121-73	Pin-Slotted Spring	1	25	340-97	Fitting-90°	1
10	3296-42	Nut-Lock	5	26	283-17	Pin	1
11	21-9010	Pivot Mount-Valve Lever	1	27	21-8590	Link-Valve Lever	1
12	340-99	Fitting-90° Elbow	1	28	2412-108	Clamp-Hose	2
13	43-1710	Asm-Valve	1	29	237-22	O-Ring	2
14	321-23	Screw-HH	5	30	237-30	O-Ring	2
15	63-8990	Hose	1	31	237-42	O-Ring	2
16	2412-36	Clamp Hose	1	32	237-78	O-Ring	2
17	63-9260	Manifold-Valve	1				
18	340-112	Elbow-90°	1				

*Not Illustrated



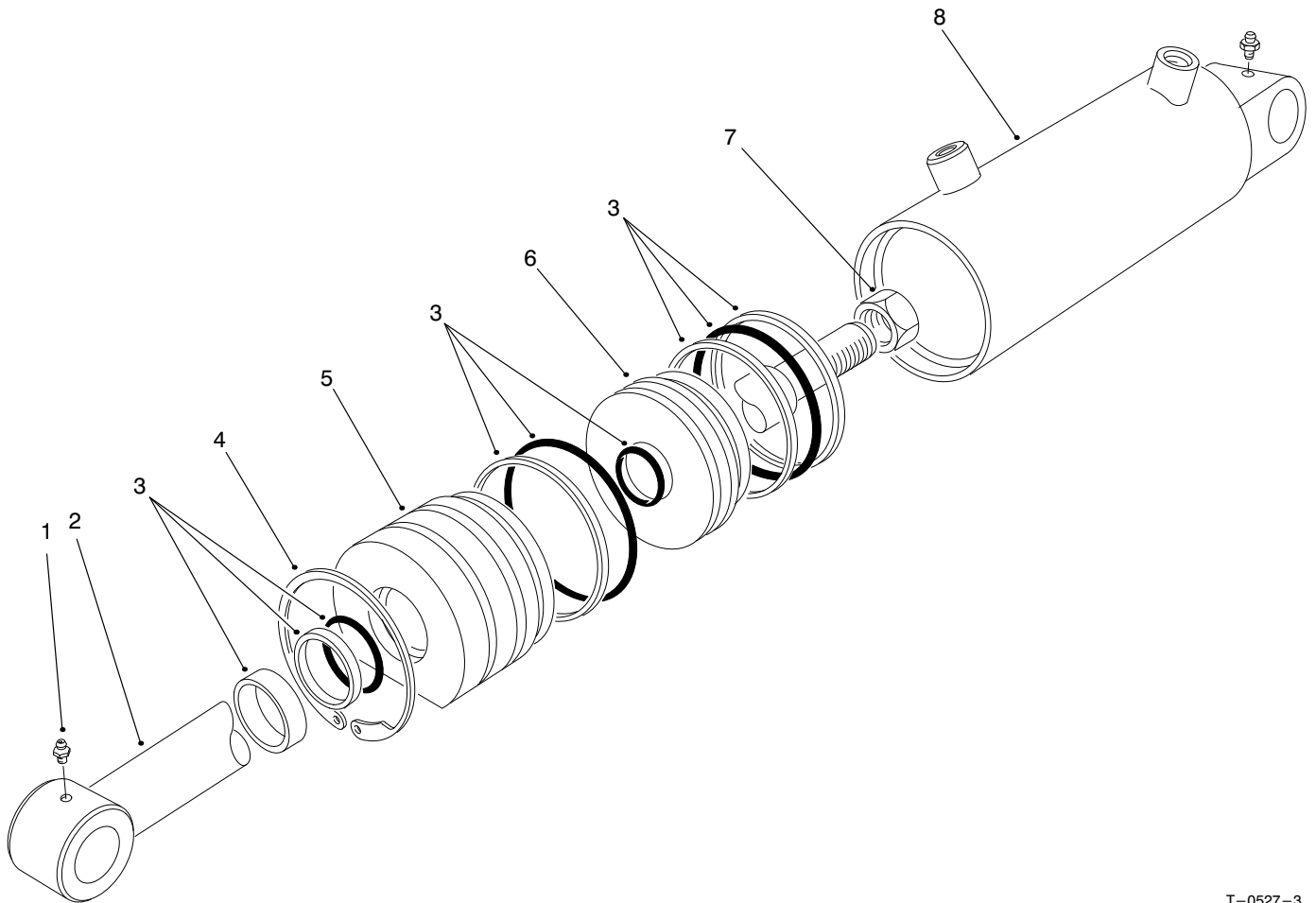
T-0527-3

HYDRAULIC LIFT CYLINDER ASSEMBLY NO. 62-4250 (2-1/2" Bore)

Ref. No.	Part No.	Description	No. Used
1	302-55	Fitting-Grease	2
2	61-4980	Shaft-w/Clevis	1
3	61-4960	Kit-Repair	1
4	61-4990	Ring-Retaining	1

Ref. No.	Part No.	Description	No. Used
5	60-9780	Head	1
6	60-9770	Piston	1
7	60-9760	Nut	1
*8		Barrel	1

*Not available separately.



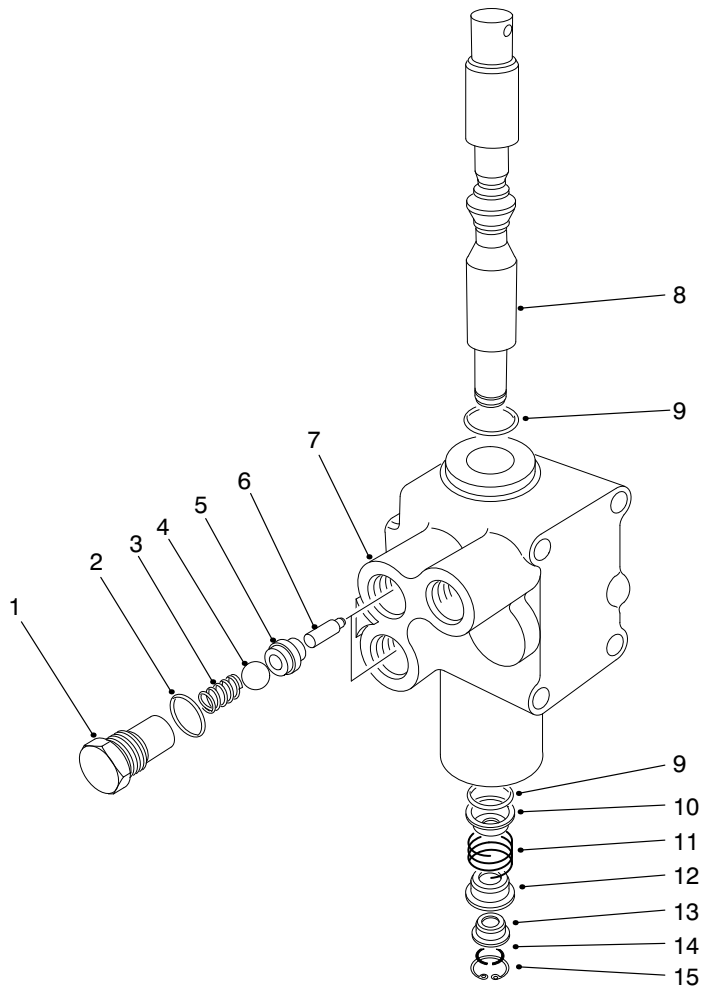
T-0527-3

HYDRAULIC LIFT CYLINDER ASSEMBLY NO. 66-1250 (3" Bore)

Ref. No.	Part No.	Description	No. Used
1	302-55	Grease Fitting	2
2	67-5480	Shaft	1
3	67-5500	Kit-Repair	1
4	67-5470	Ring-Retaining	1

Ref. No.	Part No.	Description	No. Used
5	67-5460	Head	1
6	67-5450	Piston	1
7	60-9760	Nut-Hex	1
*8		Barrel	1

*Not available separately.

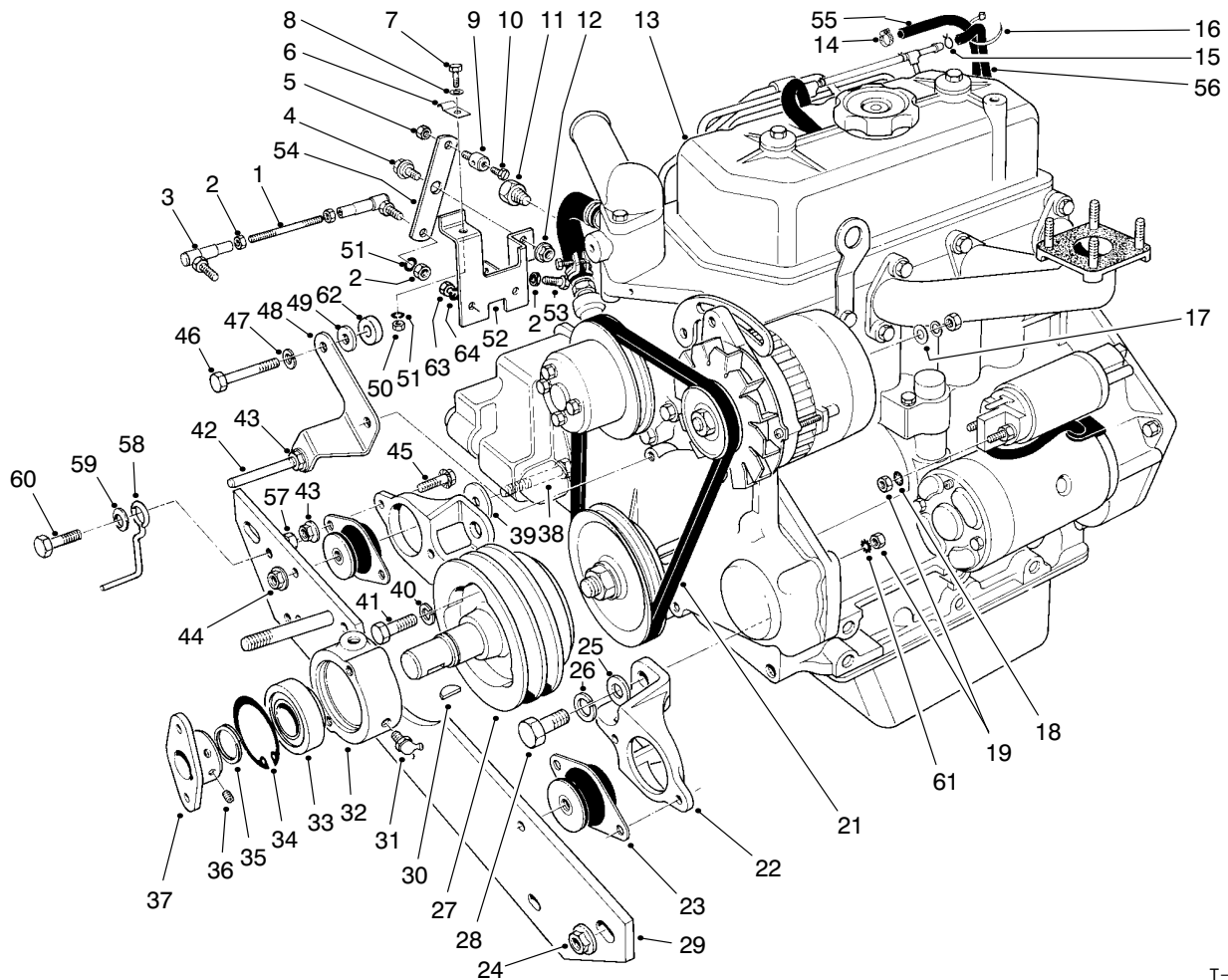


T-0428-1

CONTROL VALVE ASSEMBLY NO. 43-1710

Ref. No.	Part No.	Description	No. Used
1	22-8330	Plug	2
2	237-42	O-Ring	2
3	22-8340	Spring	2
4	22-8350	Ball	2
5	22-8370	Seat-Check Valve	2
6	22-8360	Pin-Cam	2
7	43-1730	Body	1
8	22-8420	Spool	1

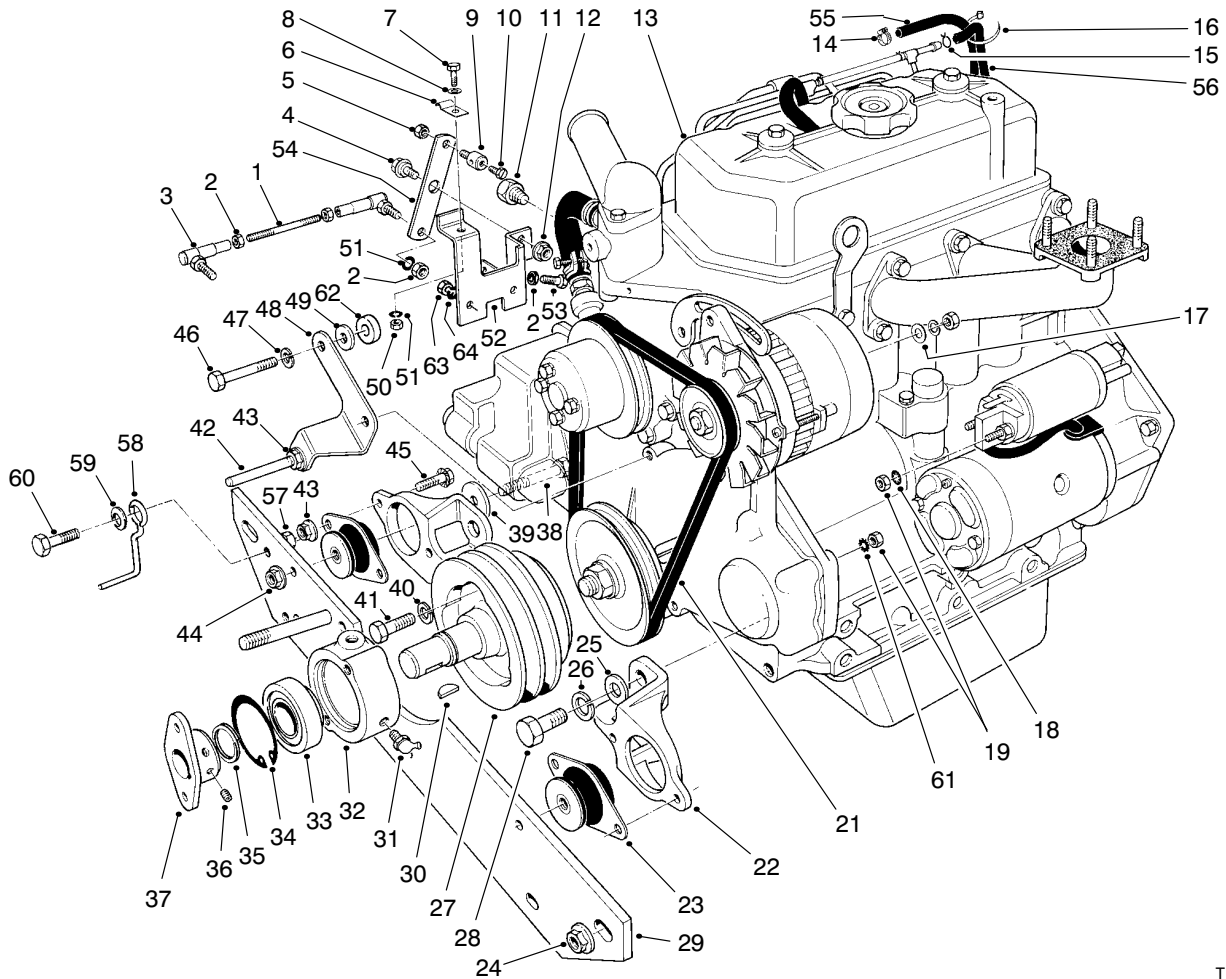
Ref. No.	Part No.	Description	No. Used
9	22-8500	O-Ring	1
10	22-8380	Spring Retainer	1
11	22-8410	Spring	1
12	22-8390	Spring Retainer	1
13	22-8400	Spacer Float	1
14	22-8480	Spring Ring Spool	1
15	22-8490	Snap Ring	1



T-0429-3

ENGINE ASSEMBLY

Ref. No.	Part No.	Description	No. Used	Ref. No.	Part No.	Description	No. Used
1	43-3770	Link-Throttle	1	28	43-3210	Screw-HH	4
2	3219-1	Nut	5	29	75-9900	Engine Support-Front	1
3	18-1720	Asm-Ball Joint	2	30	3257-33	Key Woodruff	1
4	37-8770	Bolt-Shoulder	1	31	302-10	Grease Fitting	1
5	3296-20	Nut-Lock	1	32	43-3720	Collar-Bearing	1
6	2412-31	Clamp-Bodine	1	33	251-252	Ball Bearing	1
7	321-4	Screw-HH	1	34	32120-22	Ring-Retaining, Internal	1
8	3256-22	Washer-Flat	1	35	32120-69	Ring-Retaining, External	1
9	43-3780	Swivel-Throttle Control	1	36	3241-5	Screw-Set, Socket Head	2
10	25-8640	Screw-Machine	1	37	27-1960	Hub-Engine	1
11	43-1940	Adapter-Temp. Gauge	1	38	324-12	Screw-HH	2
12	32152-1	Nut-Lock, Flange	1	39	53-9480	Washer	2
13	94-9160	Engine	1	40	42-9600	Washer-Lock	3
14	2412-108	Clamp-Worm Drive	1	41	43-3190	Screw-HH	3
15	2412-79	Clamp	1	42	21-1820	Stud-Belt Retainer	2
16	3290-379	Cable Tie	1	43	3290-357	Nut-Lock Flange	7
17	5-3637	Washer	1	44	32128-37	Nut-Lock Flange	2
18	3254-2	Washer-Lock Int. Tooth	2	45	3234-11	Screw-HH	4
19	42-9580	Nut	2	46	42-9510	Screw-HH	2
21	42-9100	Belt Fan	1	47	3253-4	Washer-Lock	2
22	53-9710	Engine Mount	2	48	43-3790	Bracket Belt Guide	1
23	53-9680	Engine Mount-Rubber	2	49	4-2390	Washer	2
24	32128-23	Nut-Lock Flange	2	50	3217-5	Nut	1
25	3256-64	Washer-Flat	4	51	3253-3	Washer-Lock	3
26	43-5950	Washer-Lock	4	52	43-3730	Bracket Throttle Control	1
27	43-3510	Pulley-Engine	1	53	329-7	Screw-HH	1

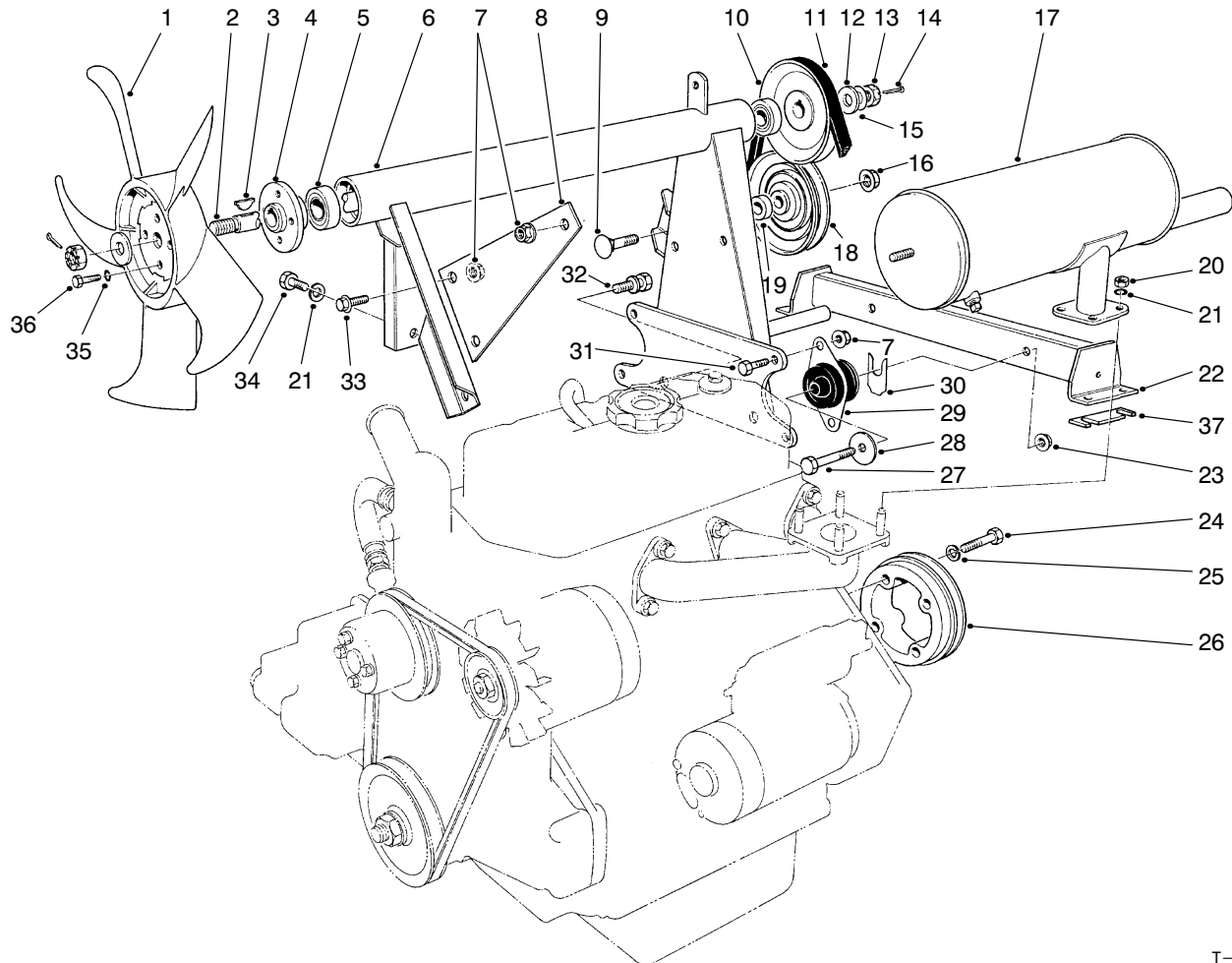


T-0429-3

ENGINE ASSEMBLY (Continued)

Ref. No.	Part No.	Description	No. Used
54	43-3760	Lever Throttle	1
55	47-7420	Hose	1
56	43-4230	Hose	1
57	32153-2	Nut-Lock	1
58	63-1400	Belt Guide	1
59	3290-224	Washer-Lock	1

Ref. No.	Part No.	Description	No. Used
60	3234-18	Screw-HH	1
61	3255-9	Washer-Lock External	1
62	5-0652	Spacer	2
63	48-7630	Screw-HH	2
64	43-5930	Washer-Lock	2

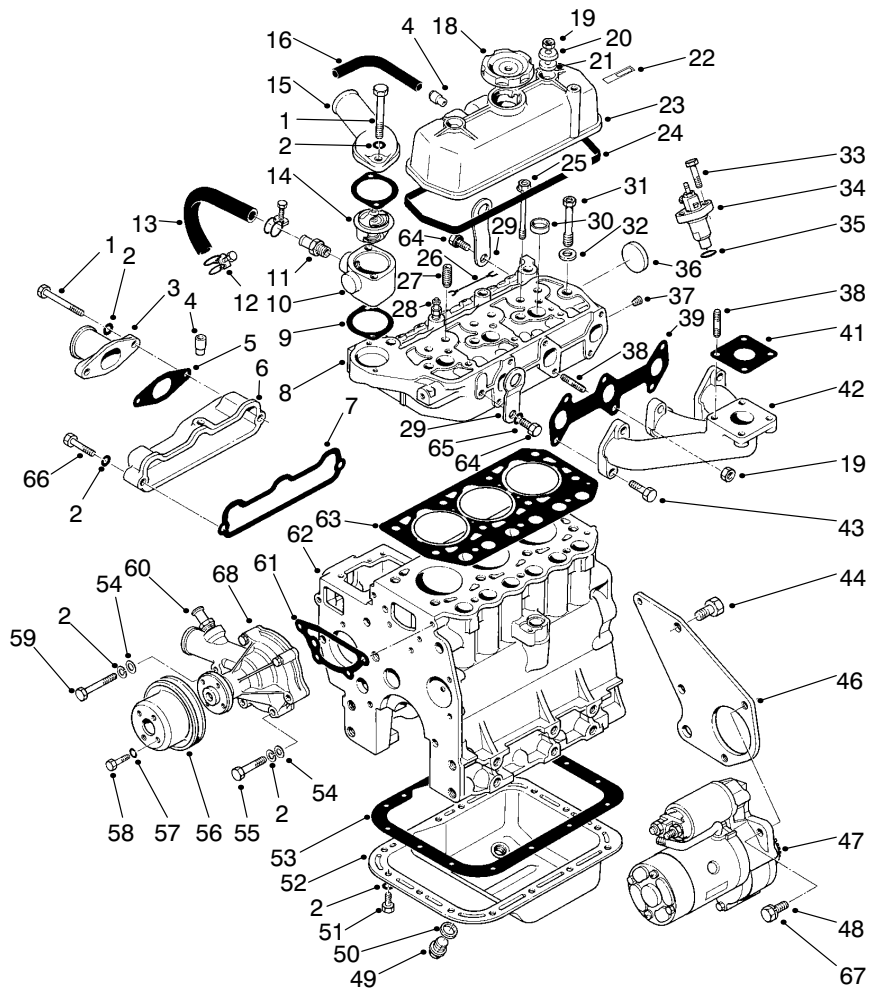


T-0430-4

ENGINE ASSEMBLY (Continued)

Ref. No.	Part No.	Description	No. Used	Ref. No.	Part No.	Description	No. Used
1	43-1910	Fan-Cooling	1	21	3253-4	Washer-Lock	5
2	43-3690	Fan- Shaft	1	22	77-3140	Engine Mount	1
3	3257-30	Key-Woodruff	2	23	32128-37	Nut-Lock Flange	2
4	43-3700	Hub-Fan	1	24	43-3200	Screw-HH	4
5	38-7820	Bearing	2	25	42-9600	Washer-Lock	4
6	53-9750	Fan Mount	1	26	43-3530	Pulley Flywheel	1
7	3290-357	Nut-Lock Flange	8	27	324-11	Screw-HH	2
8	43-3870	Support-Muffler	1	28	53-9480	Washer	2
9	3233-14	Bolt-Carriage	1	29	53-9680	Engine Mount-Rubber	2
10	43-3880	Pulley	1	30	42-6080	Shim	AR
11	43-5910	V-Belt	1	31	3234-11	Screw-HH	4
12	29-8910	Washer	2	32	66-7030	Screw-Cap w/Washer	2
13	32136-3	Nut-Hex. Slotted	2	33	3234-12	Screw-HHF	2
14	3272-16	Cotter Pin	2	34	42-9230	Screw-HH	1
15	3-6803	Washer	AR	35	3253-3	Washer-Lock	4
16	32128-23	Nut-Lock Flange	1	36	321-3	Screw-HH	4
17	43-3850	Muffler	1	37	68-9110	Shim	AR
18	66-5310	Idler Pulley	1	*	68-9111	Shim	AR
19	66-5320	Spacer	1	*	68-9112	Shim	AR
20	42-9580	Nut	4				

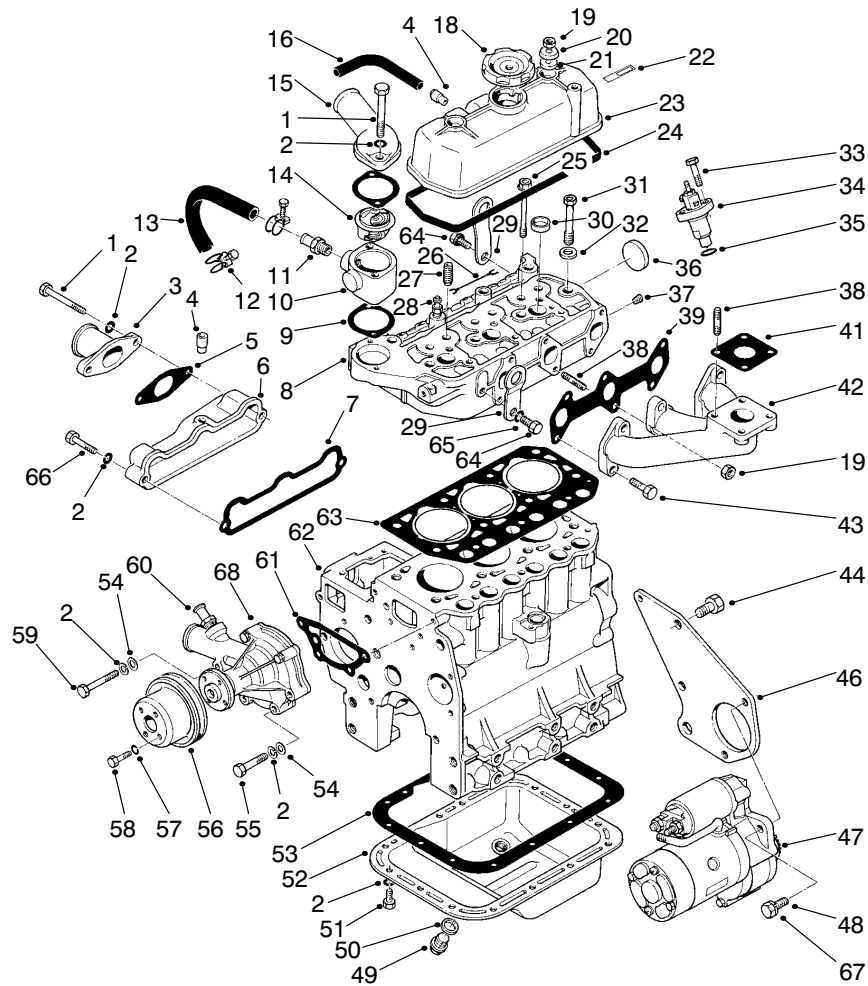
*Not Illustrated



T-0431-2

ENGINE ASSEMBLY (Continued)

Ref. No.	Part No.	Description	No. Used	Ref. No.	Part No.	Description	No. Used
1	42-9310	Screw-HH	4	27	42-7460	Guide-Valve	6
2	42-9850	Washer-Lock	24	28	42-7480	Glow Plug	3
3	42-9150	Pipe Inlet	1	29	42-7440	Hanger-Engine	2
4	42-7510	Pipe	2	30	42-7080	Cap-Sealing	3
5	42-9160	Gasket-Inlet Pipe	1	31	42-9320	Bolt-Cylinder Head	8
6	42-9120	Asm-Intake Manifold	1	32	42-9790	Washer-Head Bolt	8
7	42-9140	Gasket-Intake Manifold	1	33	42-9390	Bolt	6
8	93-1369	Asm-Head, Cylinder	1	34	44-8070	Asm-Nozzle & Holder	3
9	42-7550	Gasket	2	35	42-8120	Gasket-Nozzle Holder	3
10	43-1790	Fitting-Thermostat	1	36	42-7090	Cap-Sealing	1
11	42-7740	Nipple-Hose	1	37	86-6240	Plug-Taper	1
12	43-3140	Clamp-Hose	2	38	42-9570	Stud)	5
13	43-3130	Hose-Water (Incl. Ref. #12)	1	39	42-9170	Gasket-Exhaust Manifold	1
14	43-1780	Thermostat	1	41	42-9110	Gasket	1
15	42-7540	Fitting-Water Outlet	1	42	43-1870	Manifold-Exhaust	1
16	93-3685	Pipe-Air Breather	1	43	42-9520	Screw-HH	5
18	42-7420	Cap-Oil Filter	1	44	42-9240	Screw-HH	3
19	42-9580	Nut	3	46	43-1770	Plate-Rear	1
20	42-9800	Washer	2	47	46-7610	Asm-Starter	1
21	42-7490	Seal-Oil	2	48	43-0090	Screw-HH	2
22	42-7530	Label-Engine No.	1	49	42-9260	Plug-Oil Drain	1
23	42-7500	Asm-Cover, Rocker	1	50	42-7290	Gasket-Oil Drain Plug	1
24	42-7520	Gasket-Rocker Cover	1	51	42-9230	Screw-HH	15
25	93-3180	Bolt-Cylinder Head	3	52	42-7280	Asm-Oil Pan (Inc. Ref. #49 & 50)	1
26	42-9180	Wire-Glow Plug Lead	2	53	42-7300	Gasket-Oil Pan	1

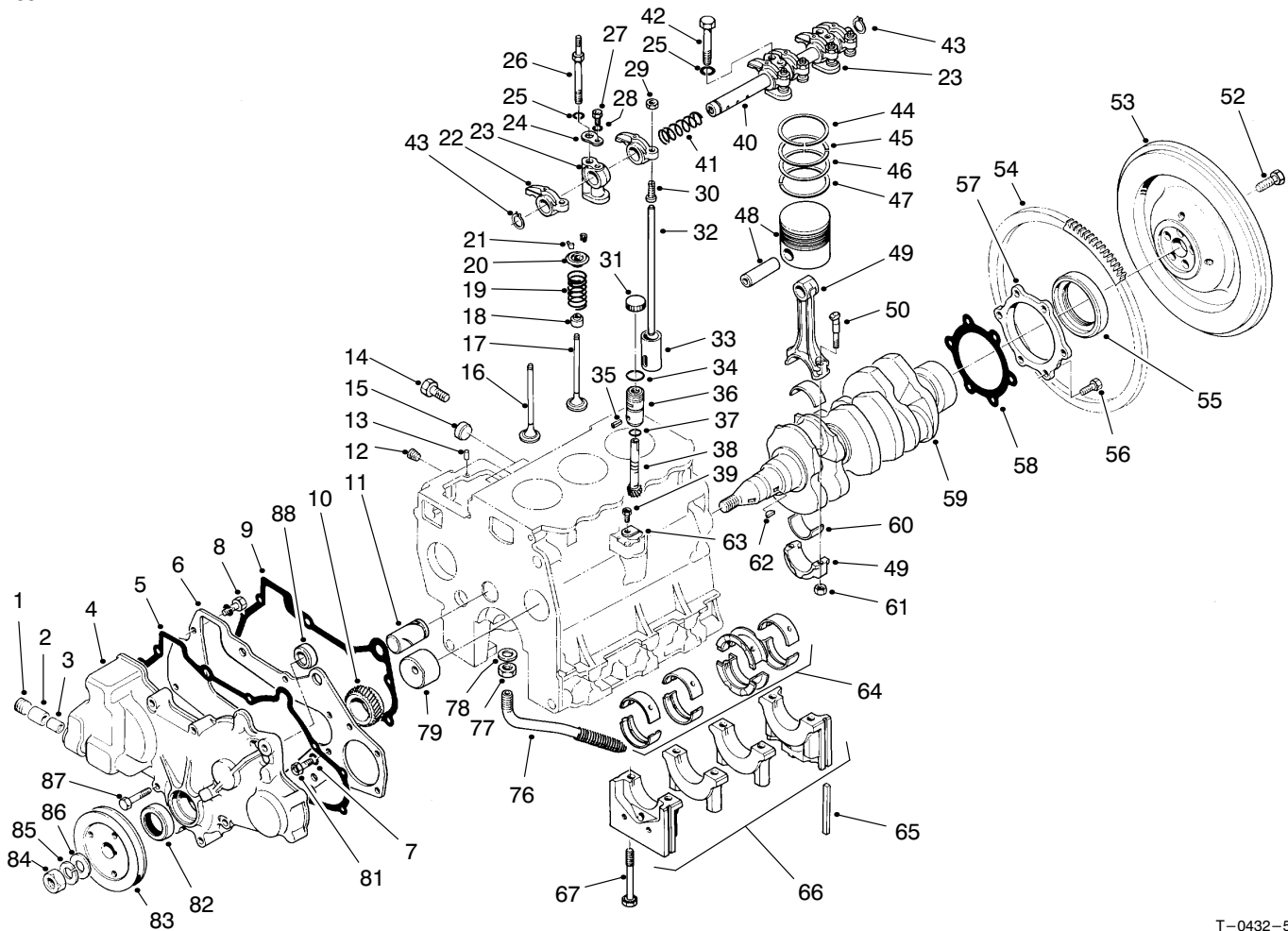


T-0431-2

ENGINE ASSEMBLY (Continued)

Ref. No.	Part No.	Description	No. Used	Ref. No.	Part No.	Description	No. Used
54	42-9660	Washer-Plain	4	62	48-2020	Cylinder Block Sub Assy.	1
55	42-9500	Screw-HH	3	63	42-7470	Gasket-Cylinder Head	1
56	42-9070	Pulley-Water Pump	1	64	42-9300	Screw-HH	2
57	43-5930	Washer-Lock	4	65	42-9600	Washer-Lock	2
58	42-9490	Screw-HH	4	66	42-9530	Screw-HH	1
59	42-9510	Screw-HH	1	67	42-9600	Washer-Lock	2
60	42-9080	Asm-Water Pump	1	68	93-3656	Gasket-Pump, Water	1
61	42-9090	Gasket-Water Pump	1	*	42-9200	Complete Gasket Set	1

*Not Illustrated



T-0432-5

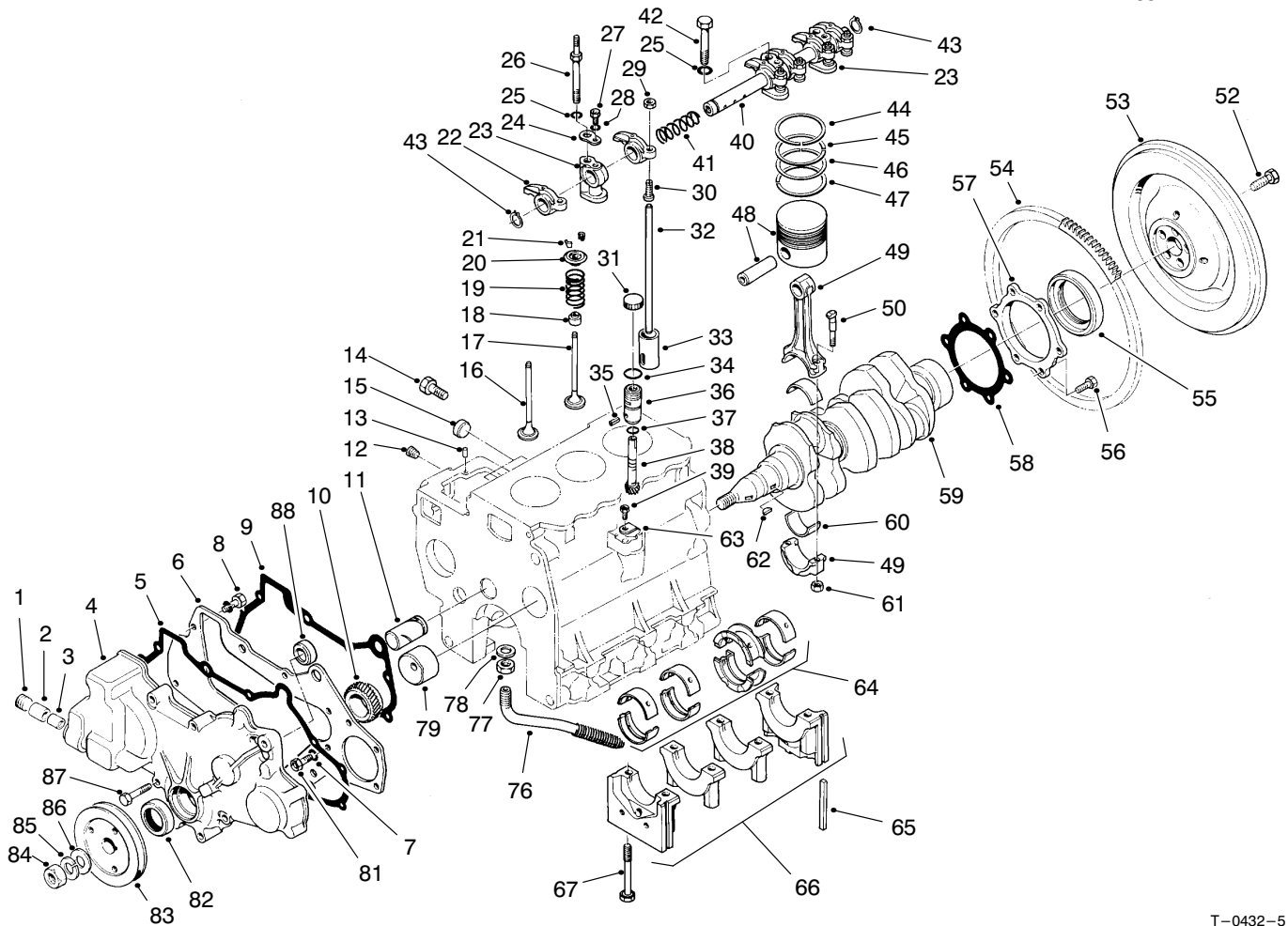
ENGINE ASSEMBLY (Continued)

Ref. No.	Part No.	Description	No. Used
1	42-7400	Plug-Taper	1
2	42-7320	Bearing-Needle	1
3	42-7310	Bearing-Needle	1
4	93-3689	Case-Gear	1
5	42-7340	Gasket-Gear Case	1
6	62-3740	Plate-Front	1
7	42-9850	Washer-Lock	5
8	62-3730	Screw-Cap, w/Washer	2
9	42-7150	Gasket-Front Plate	1
10	42-7700	Gear-Crankshaft	1
11	42-7110	Shaft-Idler	1
12	67-2390	Plug-Taper	3
13	56-0220	Pin-Dowel	2
14	42-9250	Screw-HH	4
15	42-7080	Cap-Sealing	2
16	93-1351	Valve-Intake	3
17	93-1352	Valve-Exhaust	3
18	92-1961	Seal-Valve Stem	6
19	42-7880	Spring-Valve	6
20	42-7850	Retainer-Valve Spring	6
21	42-7860	Lock-Spring Retainer	12
22	42-7940	Arm-Rocker	6
23	42-7970	Stay-Rocker	3
24	42-7950	Washer-Seat	2
25	42-9600	Washer-Spring	3

Ref. No.	Part No.	Description	No. Used
26	42-9360	Bolt	2
27	42-9350	Screw-HH	2
28	43-5930	Washer-Lock	2
29	42-9620	Nut-Jam	6
30	42-7980	Screw-Adjusting	6
31	93-3688	Cap-Shipping	1
32	42-7920	Rod-Push	6
33	42-7890	Tappet	6
34	42-9010	O-Ring	1
35	42-8970	Pin-Spring	1
36	42-8980	Sleeve-Gear	1
37	42-8990	O-Ring	1
†38		Gear-Driven	1
39	42-9440	Screw-HH	1
40	42-7960	Asm-Shaft, Rocker	1
41	42-7930	Spring-Rocker Shaft L.H.	1
42	42-9370	Screw-HH	1
43	42-7990	Ring-Snap	2
44	72-4200	Ring-Set-Piston Std.	3
45	72-4210	Ring Set-Piston 0.25 (.010 in.) 0.5.	3
46	72-4220	Ring Set-Piston 0.50 (.020 in.) 0.5.	3
47	72-4230	Ring Set-Piston 075 (.030 in.) 0.5.	3

*Not Illustrated

†Not Serviced Separately



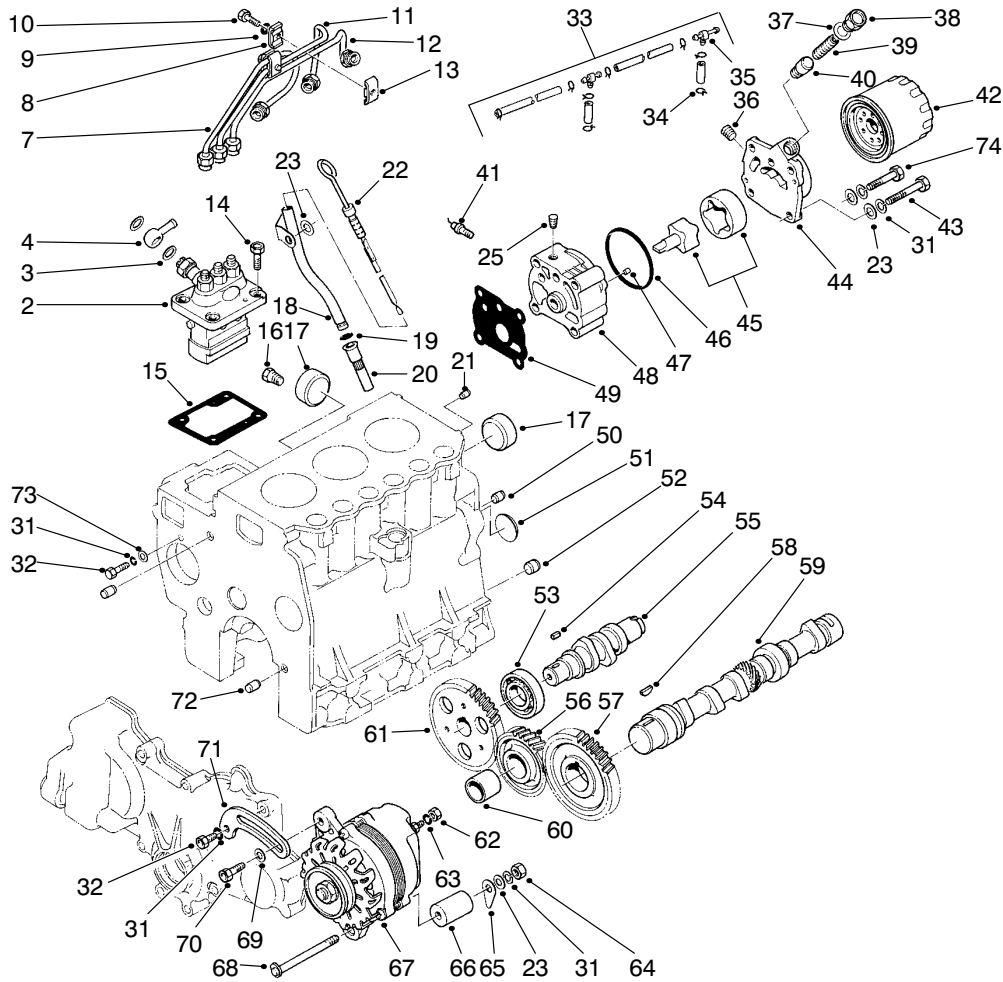
T-0432-5

ENGINE ASSEMBLY (Continued)

Ref. No.	Part No.	Description	No. Used	Ref. No.	Part No.	Description	No. Used
48	72-4240	Piston & Piston Pin Std.	3	61	42-9590	Nut-Connecting Rod	6
*	72-4250	Piston & Piston Pin 0.25 (.010 in.) 0.5.	3	62	42-7730	Key-Woodruff	2
*48	72-4260	Piston & Piston Pin 0.50 (.020 in.) 0.5.	3	63	42-9020	Plate-Locking	1
*	72-4270	Piston & Piston Pin 0.75 (.030 in.) 0.5.	3	64	42-7230	Bearing Set Crankshaft Std.	1
49	42-7650	Asm-Connecting Rod	3	*	42-7240	Bearing Set-Crankshaft 0.25 (.010 in.) U.S.	1
50	67-2860	Bolt-Connecting Rod	6	*	42-7250	Bearing Set-Crankshaft 0.50 (.020 in.) U.S.	1
52	54-8670	Bolt-Flywheel	5	*	42-7260	Bearing Set-Crankshaft 0.75 (.030 in.) U.S.	1
53	43-1800	Flywheel (Incl. Ref. #54)	1	65	42-7040	Seal-Side	4
54	43-1810	Gear-Ring	1	†66	Asm-Bearing Cap	1	
55	42-7060	Seal-Oil	1	67	42-9210	Bolt-Bearing Cap	8
56	42-9220	Screw-HH	6	76	48-2010	Asm-Screen, Oil	1
57	42-7120	Case-Oil Seal	1	77	48-1990	Nut-Jam	1
58	42-7130	Gasket-Oil Seal	1	78	48-1980	Gasket	1
59	42-7710	Crankshaft	1	79	42-7100	Bushing-Camshaft	1
60	42-7660	Bearing Set Connecting Rod Std.	3	81	42-9230	Screw-HH	3
*	42-7670	Bearing Set Connecting Rod 0.25 (.010 in.) U.S.	3	82	42-7390	Seal-Oil	1
*	42-7680	Bearing Set Connecting Rod 0.50 (.020 in.) U.S.	3	83	42-7720	Pulley-Crankshaft	1
*	42-7690	Bearing Set Connecting Rod 0.75 (.030 in.) U.S.	3	84	43-6470	Nut	1
				85	42-9860	Washer-Spring	1
				6	42-9810	Washer-Flat	1
				87	42-9500	Screw-HH	8
				88	82-2590	Plug-Thrust	1
				*	42-8960	Driven Unit-Speedometer (Incl. Ref. #34-38)	1

*Not Illustrated

†Not Serviced Separately



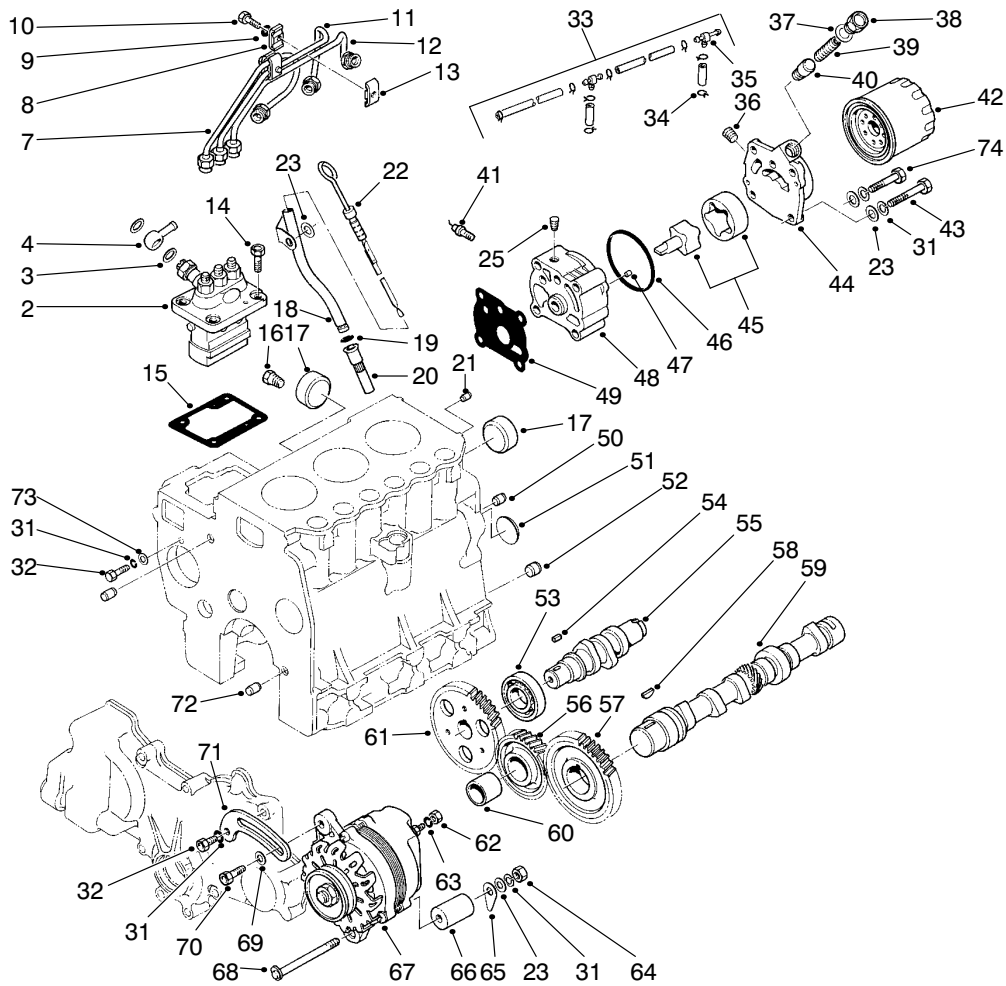
T-0433-3

ENGINE ASSEMBLY (Continued)

Ref. No.	Part No.	Description	No. Used	Ref. No.	Part No.	Description	No. Used
†2	42-8000	Asm-Pump, Fuel Injection	1	20	72-6950	Retainer-Oil Level Guide	1
3	42-9830	Washer-Seal	2	21	42-7160	Pin-Dowel	1
4	42-8100	Collar-Union	1	22	42-7270	Asm-Oil Level Gauge	1
7	42-8130	Asm-Pipe, Fuel Injection (No. 1)	1	23	42-9660	Washer-Flat	6
8	56-0750	Clamp	2	25	67-2570	Plug-Taper	1
9	43-5930	Washer-Lock	1	31	42-9850	Washer-Lock	7
10	43-2600	Screw-HH	2	32	42-9230	Screw-HH	2
11	42-8140	Asm-Pipe, Fuel Injection (No. 2)	1	33	42-8180	Asm-Fuel Return Pipe	1
12	42-8150	Asm-Pipe, Fuel Injection (No.3)	1	34	2412-79	Clamp-Hose	8
13	56-0760	Clamp	2	35	42-8190	Joint	2
†14	43-0110	Screw-HH	3	36	67-2390	Plug-Taper	1
15	42-8010	Shim-0.2 (.008 in.)	AR	37	42-7290	Gasket	1
*	42-8020	Shim-0.3 (.012 in.)	AR	38	67-2520	Plug	1
*	42-8030	Shim-0.4 (.016 in.)	AR	39	42-8930	Spring-Relief	1
15	42-8040	Shim-0.5 (.020 in.)	AR	40	67-2500	Plunger-Relief	1
*	42-8050	Shim-0.6 (.024 in.)	AR	41	56-1310	Asm-Oil Pressure Switch	1
*	42-8060	Shim-0.7 (.028 in.)	AR	42	42-9030	Asm-Filter, Oil	1
*	42-8070	Shim-0.8 (.032 in.)	AR	43	42-9480	Screw-HH	3
*	42-8080	Shim-0.9 (.036 in.)	AR	44	42-8920	Cover-Oil Pump	1
15	42-8090	Shim-1.0 (.039 in.)	AR	45	42-8910	Asm-Rotor, Oil Pump	1
16	281-1	Plug-Taper	1	46	42-8940	O-Ring	1
17	42-7090	Cap-Sealing	2	47	93-3657	Pin-Dowel	2
18	42-7050	Guide-Oil Level Gauge	1	48	42-8900	Body-Oil Pump	1
19	43-2710	O-Ring	1	49	42-8950	Gasket-Oil Pump Body	1
				50	42-7180	Bushing-Knock	2
				51	42-7170	Plug-Expansion	1
				52	42-7200	Bushing-Knock	1

*Not Illustrated

† Items must be serviced by a Mitsubishi Authorized Toro Dealer/Distributor.

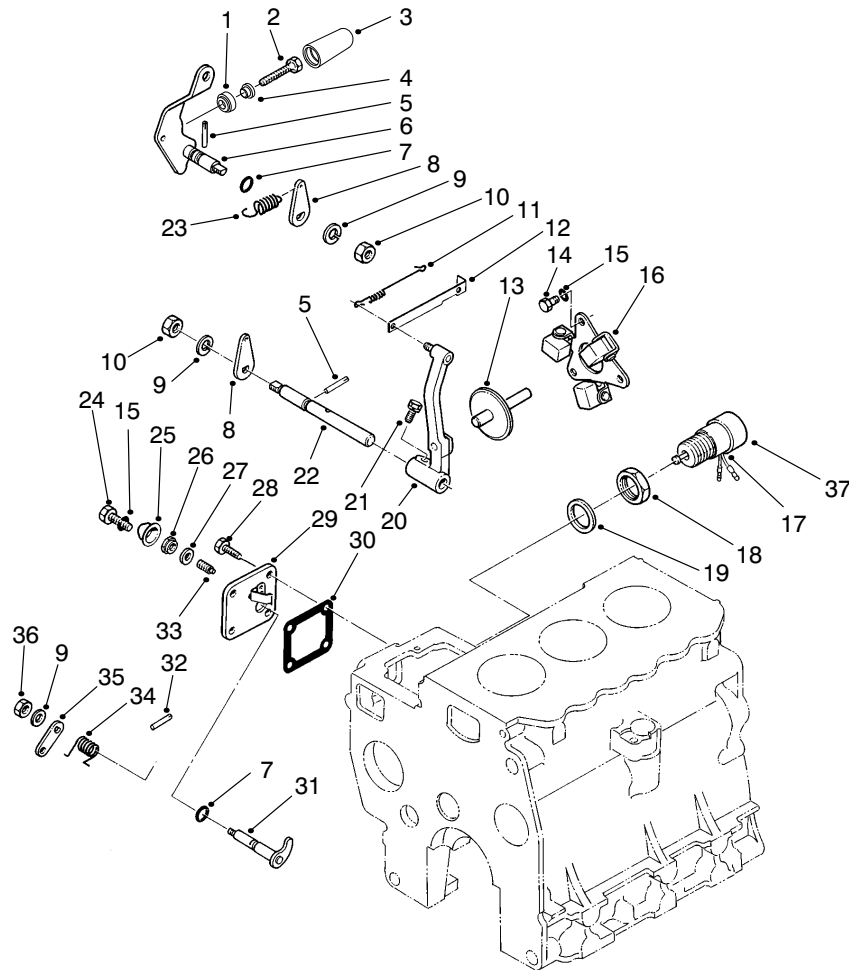


T-0433-3

ENGINE ASSEMBLY (Continued)

Ref. No.	Part No.	Description	No. Used	Ref. No.	Part No.	Description	No. Used
53	42-7820	Bearing-Ball	1	65	43-0370	Shim	AR
54	42-7840	Key-Sunk	1	66	43-0380	Spacer	1
55	42-7810	Shaft-Injection Pump Cam	1	67	43-0390	Alternator (Model AH2035M4)	1
56	42-7790	Asm-Idler Gear (Incl. Ref. #60)	1	68	43-1900	Screw-HH	1
57	42-7780	Gear-Camshaft	1	69	54-8660	Washer	1
58	42-7730	Key-Woodruff	1	70	54-8650	Screw-HHF	1
59	72-4280	Camshaft	1	71	43-0400	Brace-Alternator	1
60		Bushing-Idler Gear	1	72	42-7190	Bushing-Knock	2
61	42-7830	Gear-Injection Pump Cam	1	73	42-9820	Washer	1
62	43-5970	Nut	1	74	56-2120	Screw-HH	1
63	43-5920	Washer-Lock	1	*	42-8850	Asm-Oil Pump (Incl. Ref. 36-40 & 44-48)	1
64	42-9580	Nut	1				

*Not Illustrated

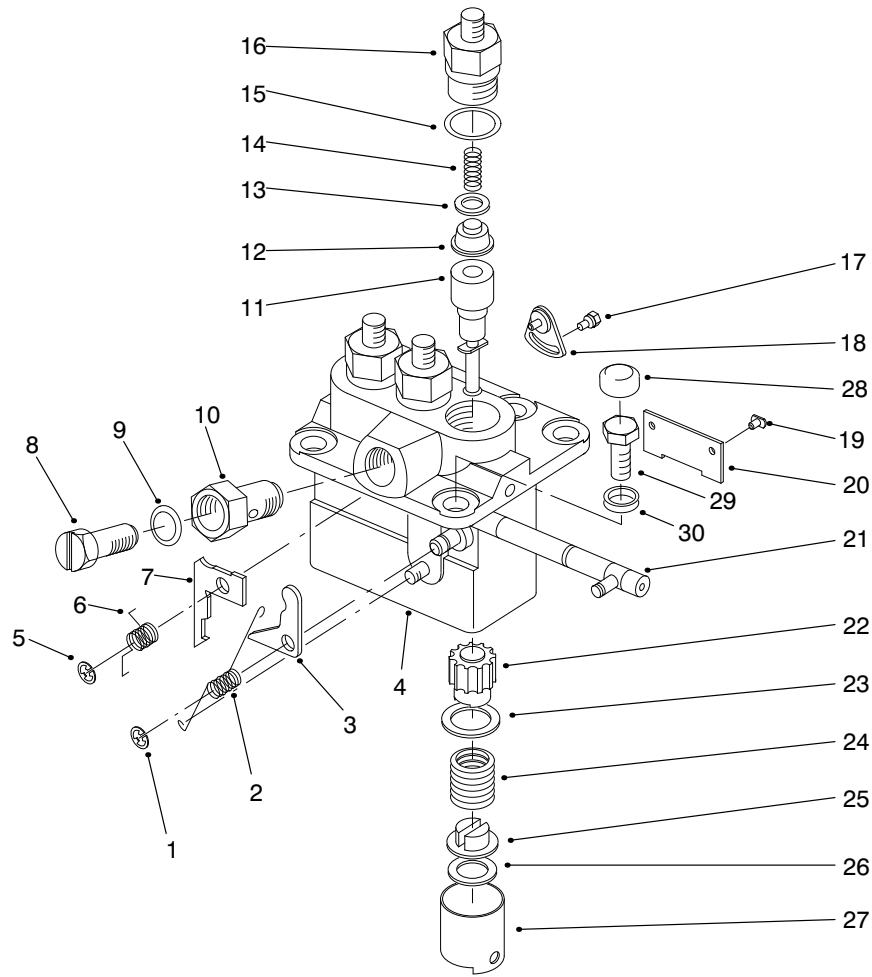


T-2434-4

GOVERNOR ASSEMBLY

Ref. No.	Part No.	Description	No. Used	Ref. No.	Part No.	Description	No. Used
†1		C-Ring, High Speed Set	1	20	42-8730	Asm-Governor Lever	1
†2		Bolt-High Speed Set	1	21	42-9450	Asm-Bolt/Washer	1
†3		Cover-High Speed Set	1	22	42-8760	Shaft-Governor	1
†4		Nut-High Speed Set	1	23	42-8820	Spring-Governor	1
5	42-8810	Pin-Grooved	2	24	43-2800	Screw-HH	1
6	42-8780	Asm-Speed Control Lever	1	25	43-2820	Sealing Cap	1
7	42-8830	O-Ring	2	26	43-5960	Nut-Special	1
8	42-8770	Lever-Governor Spring	2	27	43-3120	Washer-Seal	1
9	42-9850	Washer-Lock	2	28	67-2560	Screw-HH	3
10	42-9580	Nut-Jam	2	29	42-8790	Asm-Cover (Incl. Ref. #25, 27 & 33)	1
11	42-8740	Spring-Tie Rod	1	30	42-8800	Gasket Cover	1
12	42-8750	Tie Rod	1	31	44-8090	Asm-Lever, Stop	1
13	42-8720	Asm-Sliding Shaft	1	32	42-8810	Pin-Grooved	1
14	42-9430	Screw-HH	3	33	43-3160	Screw-Adjusting	1
15	43-5930	Washer-Lock	4	34	44-8100	Spring Return	1
16	67-4040	Asm-Weight, Governor	1	35	43-2770	Lever-Stop	1
17	43-2730	Solenoid-Tubular	1	36	42-9640	Nut-Jam	1
18	43-2750	Nut	1	37	62-6940	Cap	1
19	43-2740	Gasket	1				

† Items must be serviced by a Mitsubishi Authorized Toro Dealer/Distributor.



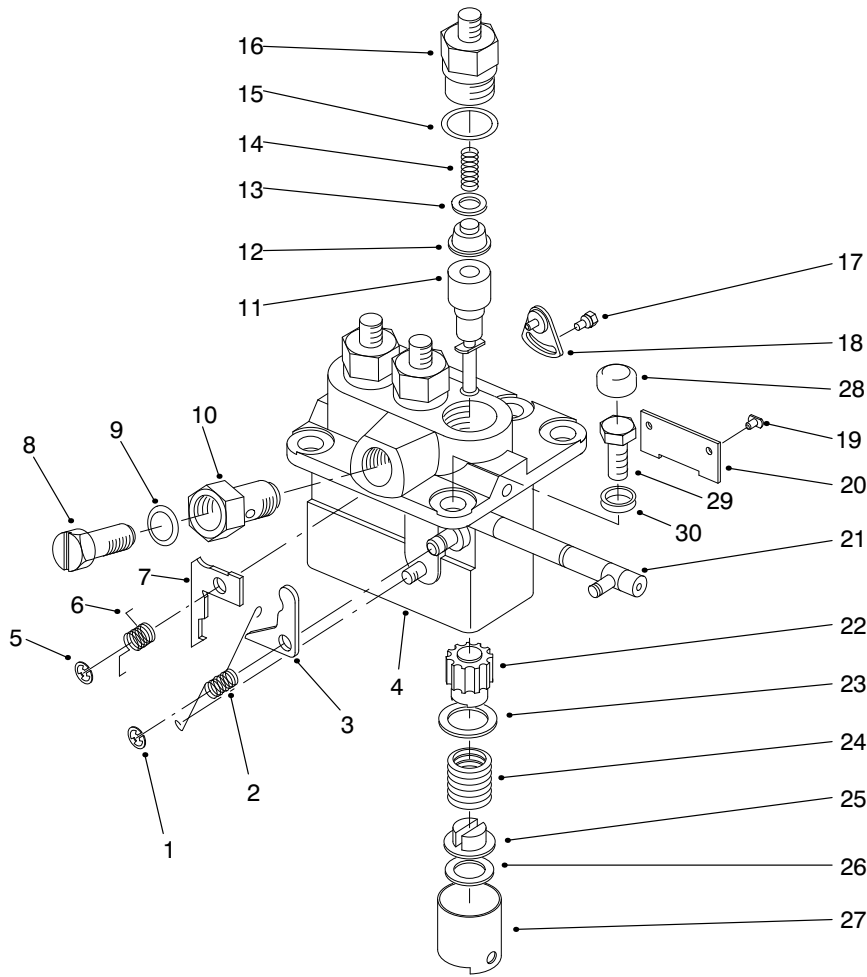
T-2435-1

FUEL INJECTION PUMP ASSEMBLY

Ref. No.	Part No.	Description	No. Used
1	70-4240	E-Ring	1
2	43-3110	Spring-Ungleich Set	1
3	95-1566	Plate-Ungleich Set 17.0 (.669 in.) Mark 6	AR
*	95-1567	Plate-Ungleich Set 16.9 (.665 in.) Mark 7	AR
*	95-1568	Plate-Ungleich Set 16.8 (.661 in.) Mark 8	AR
*	95-1569	Plate-Ungleich Set 16.7 (.657 in.) Mark 9	AR
*	95-1570	Plate-Ungleich Set 16.6 (.654 in.) Mark 10	AR
*	95-1571	Plate-Ungleich Set 16.85 (.663 in.) Mark 11	AR
*	95-1572	Plate-Ungleich Set 16.75 (.659 in.) Mark 12	AR
4		Pump Housing Sub Asm.	1
5	54-8780	E-Ring	1
6	42-8460	Spring Return	1
7	54-8700	Plate-Smoke Set 2.3 (.091 in.) Mark 60	AR
*	43-3010	Plate-Smoke Set 2.4 (.095 in.) Mark 61	AR
*	54-8710	Plate-Smoke Set 2.5 (.098 in.) Mark 62	AR

Ref. No.	Part No.	Description	No. Used
7	43-3020	Plate-Smoke Set 2.6 (.102 in.) Mark 63	AR
*	95-1573	Plate-Smoke Set 1.2 (.047 in.) Mark 49	AR
*	95-1574	Plate-Smoke Set 1.3 (.051 in.) Mark 50	AR
*	95-1576	Plate-Smoke Set 1.4 (.055 in.) Mark 51	AR
*	56-0900	Plate-Smoke Set 1.5 (.059 in.) Mark 52	AR
*	56-0990	Plate-Smoke Set 1.6 (.063 in.) Mark 53	AR
*	56-0910	Plate-Smoke Set 1.7 (.067 in.) Mark 54	AR
*	56-1000	Plate-Smoke Set 1.8 (.071 in.) Mark 55	AR
*	56-0920	Plate-Smoke Set 1.9 (.075 in.) Mark 56	AR
*	56-1010	Plate-Smoke Set 2.0 (.079 in.) Mark 57	AR
*	56-0930	Plate-Smoke Set 2.1 (.083 in.) Mark 58	AR
*	43-3000	Plate-Smoke Set 2.2 (.087 in.) Mark 59	AR
8	42-8370	Screw-Air Breather	1

*Not Illustrated



T-2435-1

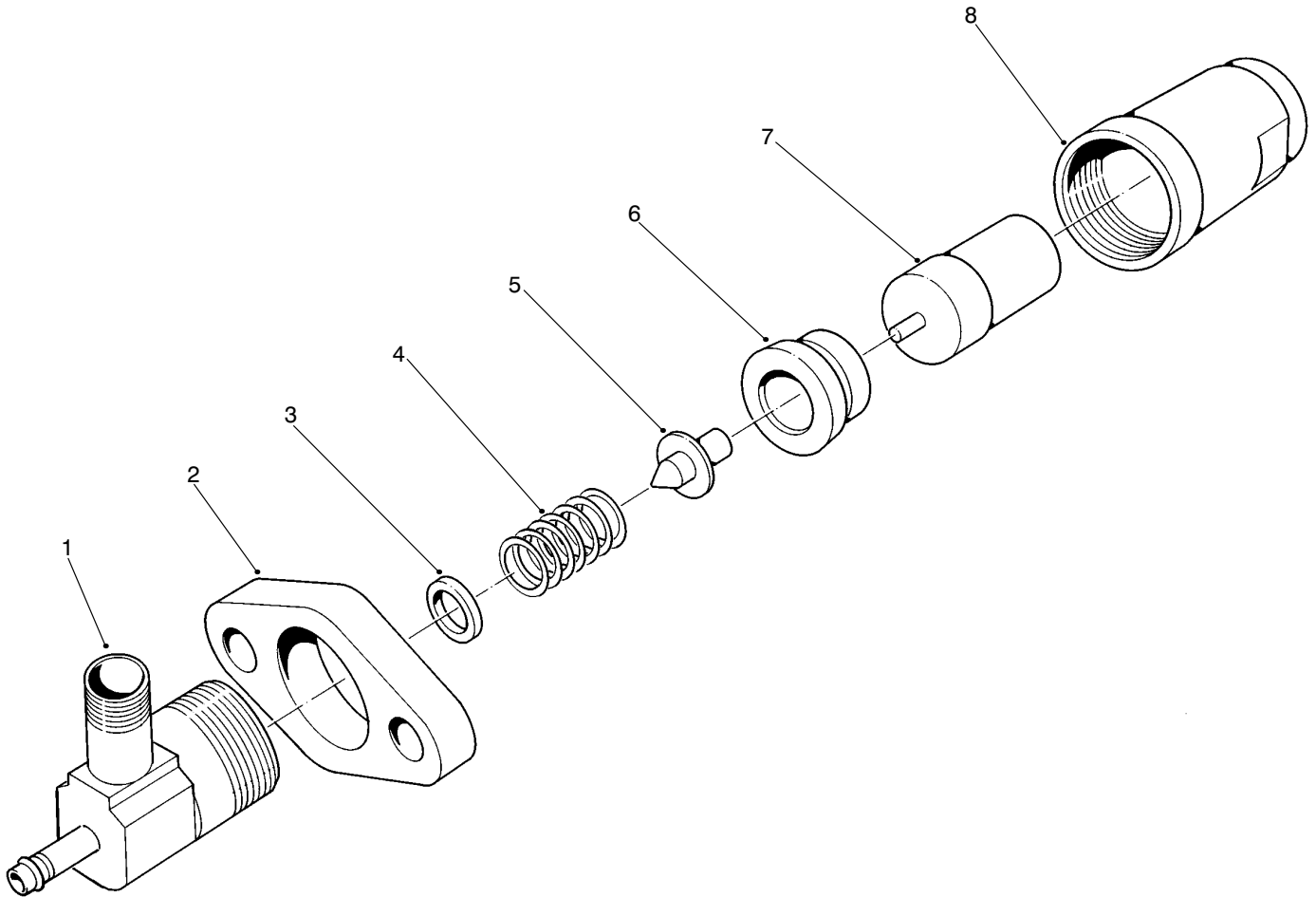
FUEL INJECTION PUMP ASSEMBLY

Ref. No.	Part No.	Description	No. Used
9	42-9770	Washer	1
10	42-8380	Screw-Hollow	1
11	42-8260	Element Sub Asm.	3
12	42-8250	Delivery Valve Sub Asm.	3
13	42-8240	Gasket-Delivery Valve	3
14	42-8230	Spring-Delivery Valve	3
15	42-8330	O-Ring	3
16	42-8220	Holder-Delivery Valve	3
17	43-3150	Asm-Bolt/Washer	2
18	42-8360	Asm-Plate, Adjusting	2
19	42-8340	Pin-Tappet Guide	3
20	42-8350	Plate	1
21	42-8310	Asm-Rack, Control	1
22	42-8270	Sleeve-Plunger Control	3
23	42-8280	Seat-Spring, Upper	3
24	42-8290	Spring-Pump Plunger	3
25	42-8320	Seat-Spring, Lower	3
26	70-3970	Shim-Plate 0.6 (.0241 in.)	AR
*	70-4070	Shim-Plate 0.2 (.008 in.)	AR

Ref. No.	Part No.	Description	No. Used
26	70-4080	Shim-Plate 0.3 (.0121 in.)	AR
*	70-4090	Shim-Plate 0.4 (.016 in.)	AR
*	70-4100	Shim-Plate 0.5 (.020 in.)	AR
*	42-8440	Shim-Plate 0.25 (.010 in.)	AR
*	42-8450	Shim-Plate 0.35 (.014 in.)	AR
*	43-6240	Shim-Plate 0.45 (.018 in.)	AR
*	54-8680	Shim-Plate 0.55 (.022 in.)	AR
*	54-8690	Shim-Plate 0.65 (.026 in.)	AR
27	42-8300	Tappet Sub Asm.	3
†28		Cover	1
†29		Screw-HH	1
†30		C-Ring	1

*Not Illustrated

† Items must be serviced by a Mitsubishi Authorized Toro Dealer/Distributor.



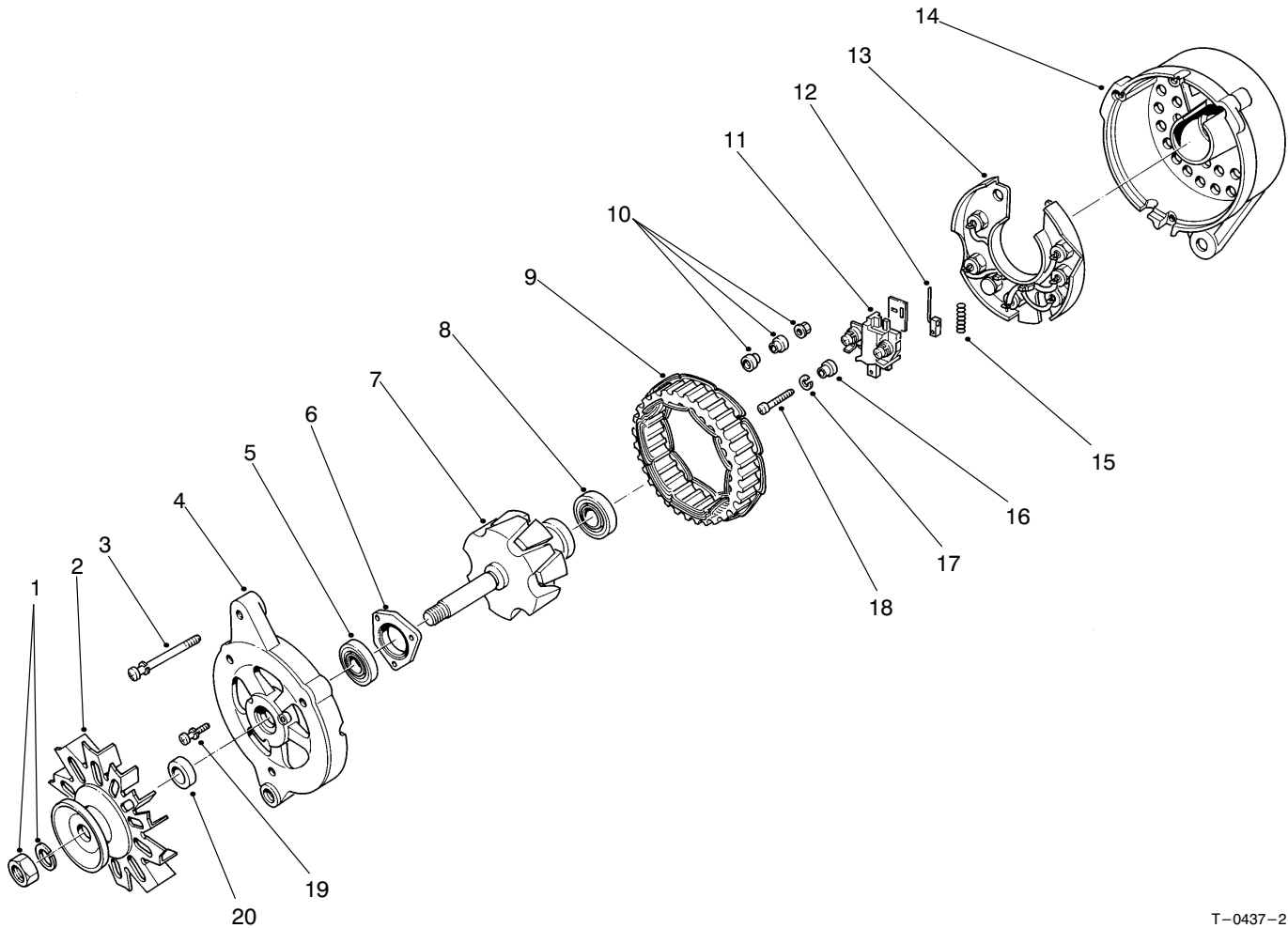
T-0436-2

NOZZLE & HOLDER ASSEMBLY NO. 44-8070

Ref. No.	Part No.	Description	No. Used
1	44-8080	Body	3
2	42-8670	Flange	3
3	42-9680	Washer 1.3 (.051 in.)	AR
*	42-9690	Washer 1.35 (.053 in.)	AR
*	42-9700	Washer 1.4 (.055 in.)	AR
*	42-9710	Washer 0.9 (.035 in.)	AR
*	42-9720	Washer 1.0 (.039 in.)	AR

Ref. No.	Part No.	Description	No. Used
*3	42-9730	Washer 1.1 (.043 in.)	AR
*	42-9740	Washer 1.2 (.047 in.)	AR
*	42-9750	Washer 0.1 (.004 in.)	AR
4	51-7500	Spring-Pressure	3
5	93-3181	Pin-Pressure	3
6	51-7520	Piece-Distance	3
7	42-8680	Asm-Nozzle	3
8	42-8650	Nut-Retaining	3

*Not Illustrated

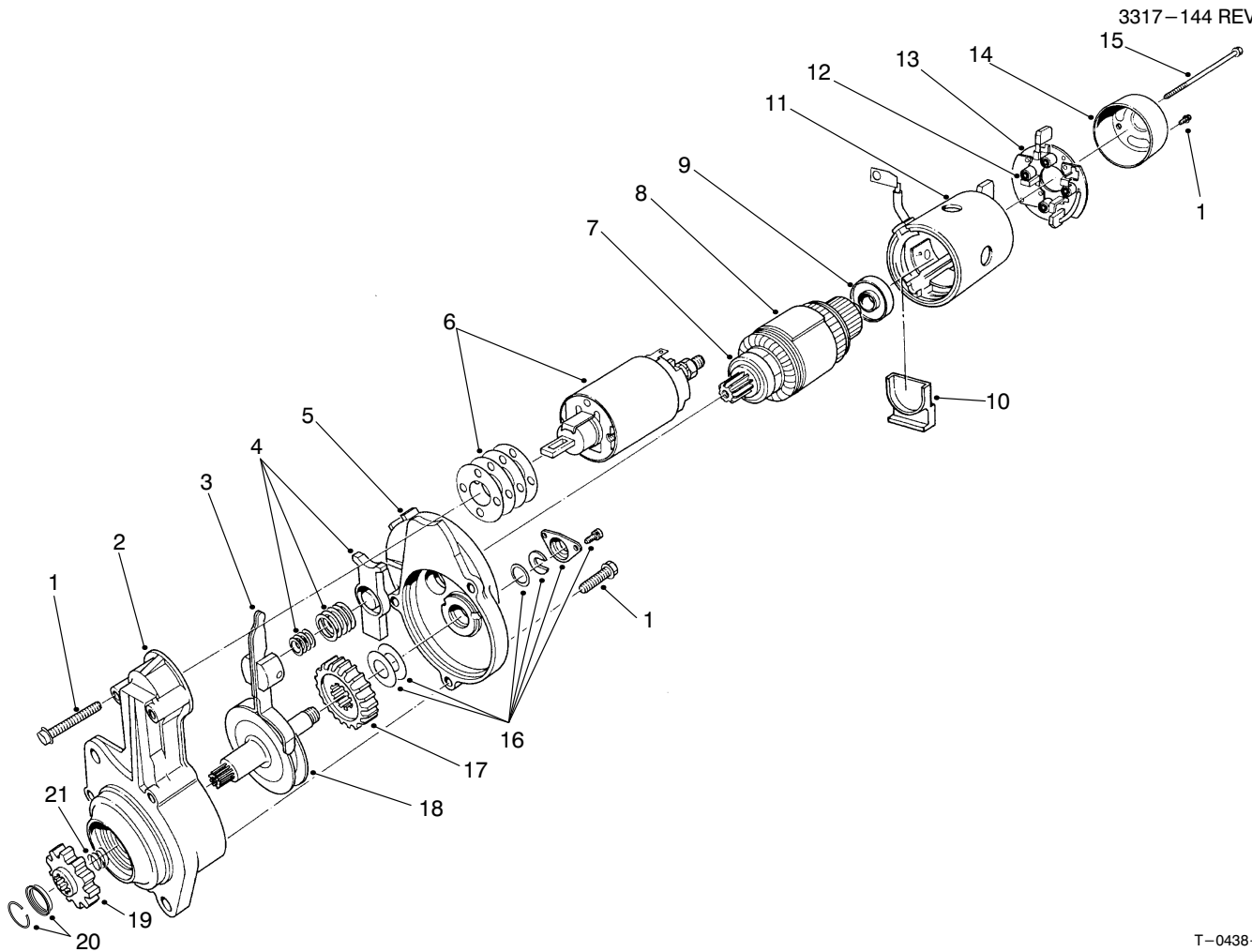


T-0437-2

ALTERNATOR ASSEMBLY NO. 43-0390

Ref. No.	Part No.	Description	No. Used
1	51-7850	Nut Set	1
2	43-0420	Asm-Pulley (Inc. Ref. #20)	1
3	43-0120	Screw-Set	1
4	43-0430	Asm-Bracket, Front (Incl. Ref. #5-6 & 19)	1
5	70-3320	Bearing-Front	1
6		Plate-Bearing Retainer	1
7	51-7910	Asm-Rotor (Inc. Ref. #8)	1
8	51-7920	Bearing-Rear	1
9	43-0470	Stator	1
10	43-0080	Nut-Set	1

Ref. No.	Part No.	Description	No. Used
11	43-0490	Asm-Holder, Brush (Incl. Ref. #12 & 15)	1
12	43-0500	Brush	2
13	43-0520	Asm-Rectifier	1
14	43-0480	Asm-Rear Bracket (Incl. Ref. #10-13 & 15-18)	1
15	70-2810	Spring-Brush	1
16	43-2720	Mold	1
17	43-5920	Washer-Lock	1
18	93-3654	Screw	1
19	51-7890	Screw-Set	1
20		Collar-Shaft	1



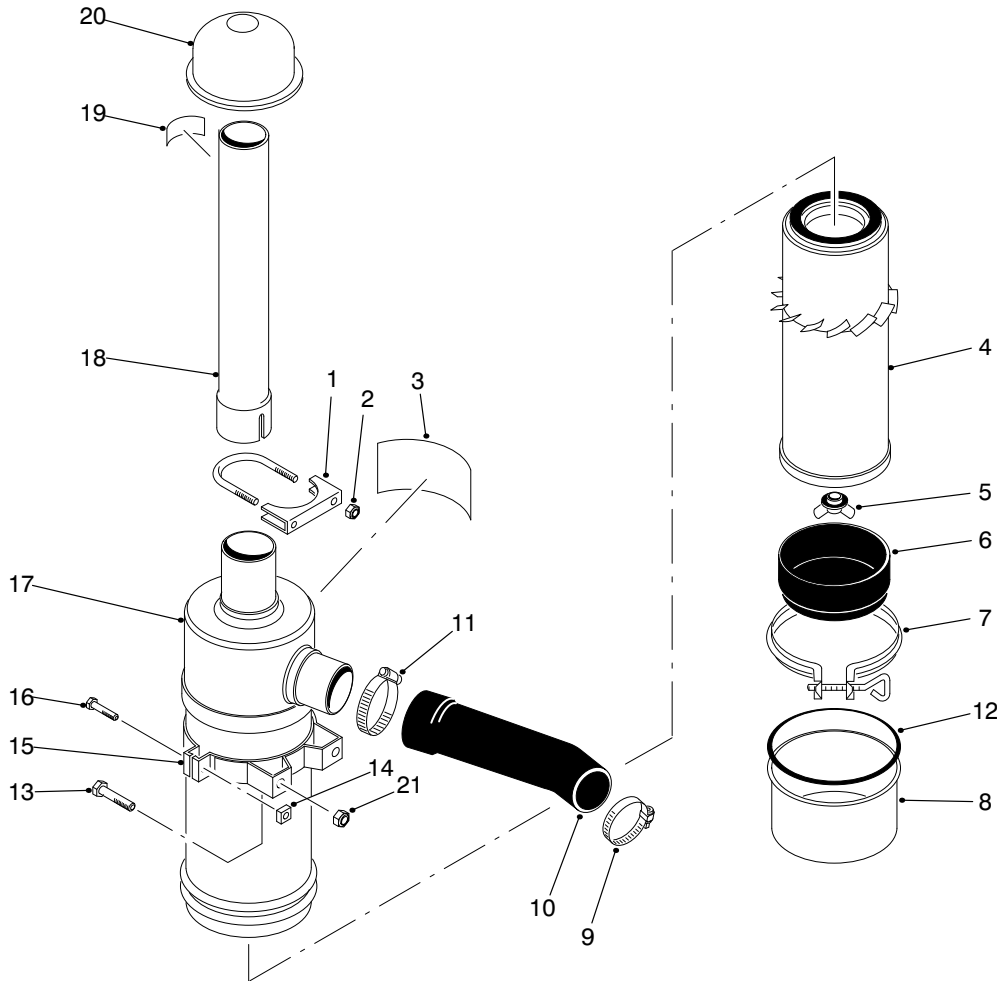
T-0438-3

STARTER ASSEMBLY NO. 46-7610

Ref. No.	Part No.	Description	No. Used
1	93-3655	Screw-Set	1
2	46-7630	Asm-Bracket, Front	1
3	46-7640	Asm-Lever	1
4	43-0190	Spring Set	1
5	46-7650	Asm-Bracket, Center	1
6	46-7660	Asm-Switch	1
7	46-7680	Bearing-Front	1
8	46-7670	Armature Set (Incl. Ref. #7 & 9)	1
9	70-3330	Bearing-Rear	1
10	46-8050	Packing	1
11	46-7780	Asm-Yoke	1
12	51-7820	Spring-Brush	4
13	51-7810	Asm-Brush Holder (Incl. Ref. #12)	1

Ref. No.	Part No.	Description	No. Used
14	51-7830	Bracket-Rear	1
15	93-3687	Bolt Set	1
16	51-7780	Cover Set	1
17	46-7760	Gear	1
18	46-7750	Asm-Shaft, Pinion	1
19	46-7720	Pinion Set (Incl. Ref. #20)	1
20	51-7740	Stopper	1
21		Spring	1
*	46-7740	Gear Set (Incl. Ref. #17 & 18)	1
*	46-7710	Asm-Shaft, Clutch (Incl. Ref. #16-20)	1

*Not Illustrated



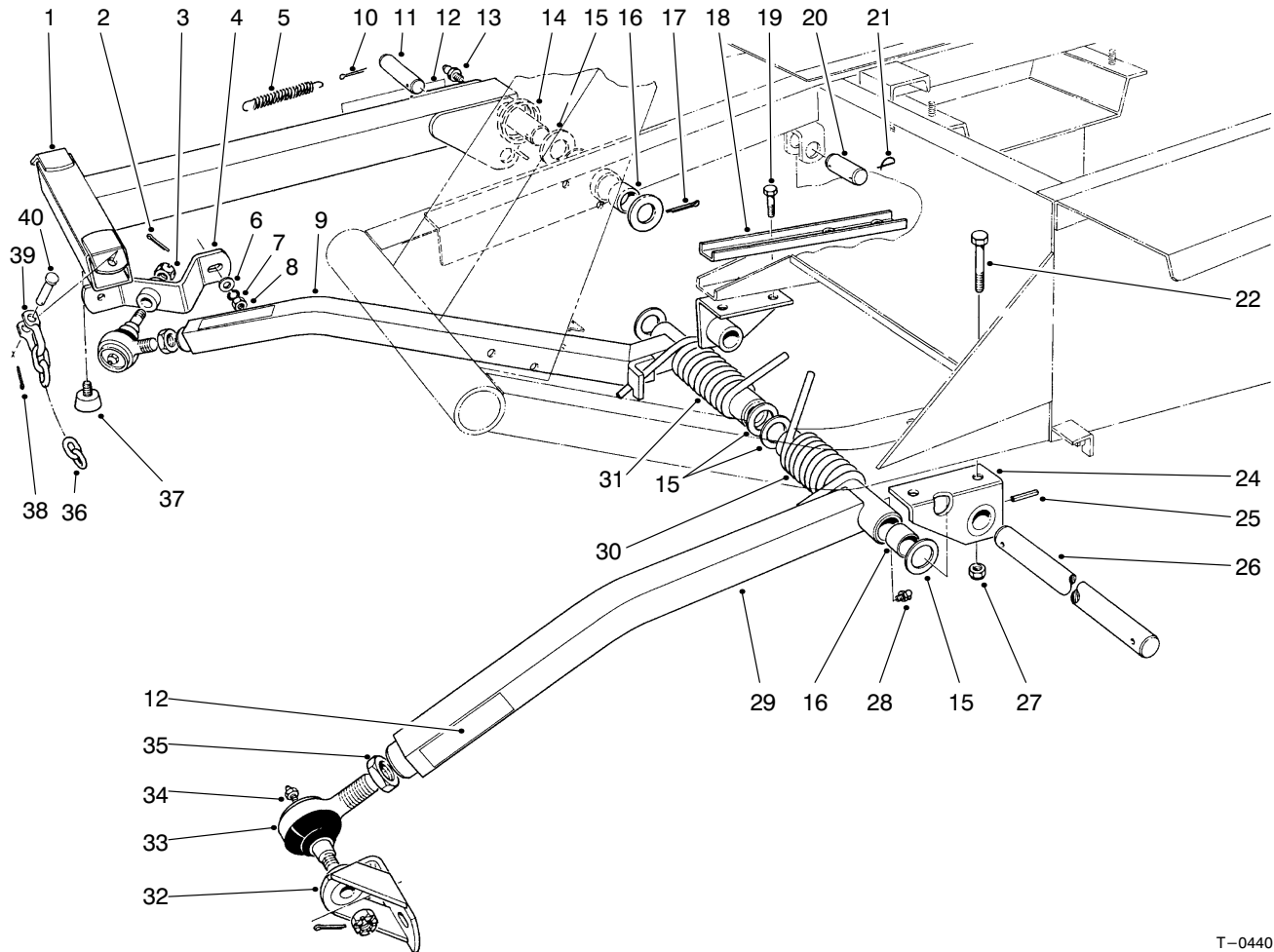
T-0439-1

AIR CLEANER ASSEMBLY

Ref. No.	Part No.	Description	No. Used
1	20-4840	Muffler Clamp (Incl. Ref. #2)	1
2	3217-6	Nut	2
3	27-7160	Decal-Instructions	1
4	27-7110	Asm-Element	1
5	27-7120	Asm-Nut & Gasket	1
6	27-7140	Skirt-Baffle	1
7	27-7130	Asm-Clamp	1
8	27-7150	Asm-Cup	1
9	2412-3	Hose-Clamp	1
10	43-3830	Hose-Air Cleaner	1
11	2412-42	Hose Clamp	1
12	80-3330	Gasket	1

Ref. No.	Part No.	Description	No. Used
13	322-3	Screw-HH	4
14	32107-11	Nut	2
15	27-7170	Asm-Band (Incl. Ref. #14 & 16)	2
16	3258-19	Screw-Mach. Rd. Hd.	2
17	27-7100	Asm-Air Cleaner (Incl. Ref. #3-8)	1
18	43-3810	Tube-Air Cleaner	1
19	83-9150	Decal-Starting Fluid	1
20	27-7180	Asm-Cap, Air Inlet	1
21	32128-20	Nut-Flange	4
*	95-3092	Kit-400 Hour Filter (Incl. Ref. #4)	1

*Not Illustrated



T-0440-5

PUSH ARM ASSEMBLY

Ref. No.	Part No.	Description	No. Used	Ref. No.	Part No.	Description	No. Used
1	66-6370	Lift Arm	1	21	5-3126	Spring Pin	3
2	3272-11	Cotter Pin	2	22	324-11	Screw-HH	2
3	32136-2	Nut	2	24	21-2860	Push Arm Bracket	2
4	21-3020	Ball Joint Mount R.H.	1	25	32121-84	Roll Pin	2
5	21-1830	Spring Tension	1	26	21-2990	Shaft-Pivot	1
6	3256-25	Washer-Flat	1	27	32128-42	Nut-Flange Lock	4
7	3253-6	Washer-Lock	2	28	302-33	Grease Fitting	2
8	3217-8	Nut-Full	2	29	21-2960	Push Arm L.H.	1
9	66-7150	Push Arm R.H. (Incl. Ref. #16 & 28)	1	30	21-2900	Spring-Torsion L.H.	1
10	3272-24	Cotter Pin	1	31	21-2890	Spring-Torsion R.H.	1
11	24-9510	Pin	1	32	21-3050	Ball Joint Mount L.H.	1
12	55-4300	Warning Decal	3	33	86-8100	Asm-Ball Joint	2
13	302-5	Grease Fitting	1	34	302-5	Grease Fitting	2
14	46-8840	Spring-Lift Arm	1	35	21-3000	Nut-Jam	2
15	5-1754	Washer	6	36	3-1365	Chain-Lift	3
16	256-126	Bushing	6	37	67-9800	Bumper	1
17	3272-33	Cotter Pin	1	38	3272-10	Cotter Pin	3
18	23-1950	Support Reinforcement	1	39	5-2942	Shackle	3
19	324-4	Screw-HH	2	40	283-10	Pin	3
20	3-7292	Pin	1				

TORO PART NUMBER INDEX

Part No.	Description	Pg. No.	Ref. No.	Qty.	Part No.	Description	Pg. No.	Ref. No.	Qty.
3-1365	Chain-Lift	45	36	3	21-8020	Spacer-Pinion Bearing	17	25	1
3-6498	Washer	9	18	AR	21-8090	Adjustment Shim .003	17	38	AR
3-6657	Clip	8	31	2	21-8100	Adjustment Shim .005	17	37	AR
3-6803	Washer	31	15	AR	21-8110	Adjustment Shim .010	17	36	AR
3-7243	Spring-Extension	11	13	2	21-8120	Adjustment Shim .030	17	35	AR
3-7292	Pin	45	20	1	21-8180	Bearing	18	3	2
3-8812	Spacer	9	19	1	21-8270	Dowel Pin	16	3	2
4-2390	Washer	29	49	2	21-8360	Clip-Retaining	18	10	2
5-0652	Spacer	9	37	1	21-8590	Link-Valve Lever	25	27	1
5-0652	Spacer	30	62	2	21-8620	Lever Valve	25	2	1
5-0701	Spring Anchor	9	52	1	21-8640	Latch Valve Lever	25	7	1
5-0838	Washer-Flat	6	38	3	21-9010	Pivot Mount-Valve Lever	25	11	1
5-1226	Washer	19	17	3	21-9260	Cover-Dust	12	4	1
5-1747	Spring	9	21	1	21-9370	Screw-Adjusting	18	7	2
5-1754	Washer	45	15	6	21-9380	Nut-Pivot	18	8	2
5-2942	Shackle	45	39	3	21-9390	Socket-Adjusting Screw	18	6	2
5-3126	Spring Pin	45	21	3	21-9420	Spring-Shoe Return L.H.	18	17	2
5-3637	Washer	29	17	1	21-9430	Spring-Shoe Return R.H.	18	18	2
6-1659	Toggle Switch	4	19	1	21-9440	Spring-Adjusting Screw	18	14	2
7-3900	Pad-Brake	11	1	1	21-9450	Dust Shield	18	4	2
10-6830	Stud-Drive	19	32	10	21-9460	Retainer-Brake Lever	18	15	4
10-8110	Washer-Thrust	19	18	AR	22-7810	Spacer	15	19	1
11-0590	Screw-TAP	11	5	2	22-7820	ASM-Buzzer	4	36	1
11-9760	Screw-TAP	22	52	3	22-8330	Plug	28	1	2
12-5450	Screw-TAP	16	13	8	22-8340	Spring	28	3	2
12-9990	Hour Meter	4	40	1	22-8350	Ball	28	4	2
14-8459	Hood	6	6	1	22-8360	Pin-Cam	28	6	2
18-1720	Asm-Ball Joint	29	3	2	22-8370	Seat-Check Valve	28	5	2
18-2770	Cable-Ground	2	52	1	22-8380	Spring Retainer	28	10	1
20-4840	Muffler Clamp	44	1	1	22-8390	Spring Retainer	28	12	1
21-0141	Asm-Socket R.H.	11	26	1	22-8400	Spacer Float	28	13	1
21-0141	Asm-Socket R.H. Thd.	19	39	2	22-8410	Spring	28	11	1
21-0151	Asm-Socket L.H. Thd.	19	*	2	22-8420	Spool	28	8	1
21-0230	Pulley P.T.O.	9	13	1	22-8480	Spring Ring Spool	28	14	1
21-0400	Spring-Compression	9	48	1	22-8490	Snap Ring	28	15	1
21-1600	Clamp P.T.O. Lever	10	54	1	22-8500	O-Ring	28	9	1
21-1820	Stud-Belt Retainer	29	42	2	23-1950	Support Reinforcement	45	18	1
21-1830	Spring Tension	45	5	1	23-2240	Rod-Pump Control	11	17	1
21-1830	Spring-Tension	9	50	2	23-2270	Bushing-Rubber	11	16	1
21-1880	Grip Handle	9	1	1	23-5180	Dipstick	15	41	1
21-1880	Grip-Handle	12	35	1	23-7270	Nut-Wheel	15	32	10
21-2000	Tie Rod	19	42	2	23-9740	Oil Filter	21	34	1
21-2660	Footrest	1	4	1	24-6390	Stud-Battery Hold Down	1	10	2
21-2760	Pad-Foot Rest L.H.	2	47	1	24-6420	Hold Down-Battery	1	24	1
21-2770	Pad-Foot Rest R.H.	2	46	1	24-8790	Differential Bevel Gear Side	16	5	2
21-2820	Hub Wheel	19	30	2	24-8840	Ring-Wheel Bearing	18	22	2
21-2850	Mount-R.H. Pedal	11	4	1	24-9180	Strut & Lever Parking Brake	18	19	2
21-2860	Push Arm Bracket	45	24	2	24-9510	Pin	45	11	1
21-2890	Spring-Torsion R.H.	45	31	1	24-9830	Support-Axle	17	44	1
21-2900	Spring-Torsion L.H.	45	30	1	25-2380	Thrust Plate	24	50	2
21-2960	Push Arm L.H.	45	29	1	25-2390	Motor Valve Plate	24	57	1
21-2990	Shaft-Pivot	45	26	1	25-2400	Gasket	24	59	1
21-3000	Nut-Jam	45	35	2	25-2410	Asm-Accel. Valve	23	17	2
21-3020	Ball Joint Mount R.H.	45	4	1	25-2430	Dowel Pin	24	52	2
21-3050	Ball Joint Mount L.H.	45	32	1	25-2440	Pump Valve Plate	24	51	1
21-3370	Cable-R.H. Brake	11	*	1	25-2450	Variable Swashplate	23	48	1
21-3380	Cable-L.H. Brake	11	15	1	25-2460	Plug-Hex. Hd.	23	28	2
21-3600	Foam-Tank Support	15	3	1	25-2470	Shim Pack	23	29	2
21-3610	Foam-Tank Support	15	21	1	25-2480	Valve Spring	23	44	1
21-7670	Differential Case	17	33	1	25-2490	Ball	23	9	2
21-7690	Pinion Gear	16	6	2	25-2500	Trunnion Shaft	23	43	1
21-7700	Pinion Mate Shaft	17	31	1	25-2510	Washer-Flat	23	25	2
21-7720	Thrust Washer	16	4	2	25-2530	Headless Straight Pin	23	39	1
21-7730	Thrust Washer	16	7	2	25-2550	Charge Pump Housing	23	34	1
21-7770	Drive Gear Screw	17	32	5	25-2570	Valve Spring	23	30	1
21-7830	Gear Cover	16	12	1	25-2580	Trunnion Shaft	23	26	1
21-7850	Cup-Plug	16	20	1	25-2610	Accel. Valve Spring	23	16	1

*Not Illustrated

TORO PART NUMBER INDEX (Cont.)

Part No.	Description	Pg. Ref. No. No. Qty.	Part No.	Description	Pg. Ref. No. No. Qty.
25-2620	By-Pass Valve	23 15 1	42-7060	Seal-Oil	35 55 1
25-2630	Back-Up Ring	23 14 1	42-7080	Cap-Sealing	34 15 2
25-2640	Valve Spring	23 8 2	42-7080	Cap-Sealing	32 30 3
25-2650	Check Valve Plug	23 6 2	42-7090	Cap-Sealing	36 17 2
25-2680	Asm-Gerotor	23 38 1	42-7090	Cap-Sealing	32 36 1
25-3190	Charge Pump	23 40 1	42-7100	Bushing-Camshaft	35 79 1
25-3210	Lip Seal	23 24 2	42-7110	Shaft-Idler	34 11 1
25-8640	Screw-Machine	29 10 1	42-7120	Case-Oil Seal	35 57 1
26-6740	Temperature Reset Relay	4 18 1	42-7130	Gasket-Oil Seal	35 58 1
26-6750	Engine Temperature Gauge	4 15 1	42-7150	Gasket-Front Plate	34 9 1
27-1960	Hub-Engine	29 37 1	42-7160	Pin-Dowel	36 21 1
27-2360	Key Switch	4 10 1	42-7170	Plug-Expansion	36 51 1
27-6590	Spacer-Rubber Coupling	21 22 2	42-7180	Bushing-Knock	36 50 2
27-6600	Spacer-Rubber Coupling	21 20 6	42-7190	Bushing-Knock	37 72 2
27-7100	Asm-Air Cleaner	44 17 1	42-7200	Bushing-Knock	36 52 1
27-7110	Asm-Element	44 4 1	42-7230	Bearing Set	35 64 1
27-7120	Asm-Nut & Gasket	44 5 1	42-7240	Bearing Set-Crankshaft	35 * 1
27-7130	Asm-Clamp	44 7 1	42-7250	Bearing Set-Crankshaft	35 * 1
27-7140	Skirt-Baffle	44 6 1	42-7260	Bearing Set-Crankshaft	35 * 1
27-7150	Asm-Cup	44 8 1	42-7270	Asm-Oil Level Gauge	36 22 1
27-7160	Decal-Instructions	44 3 1	42-7280	Asm-Oil Pan	32 52 1
27-7170	Asm-Band	44 15 2	42-7290	Gasket	36 37 1
27-7180	Asm-Cap, Air Inlet	44 20 1	42-7290	Gasket-Oil Drain Plug	32 50 1
27-7290	Decal-Power Take off	1 18 1	42-7300	Gasket-Oil Pan	32 53 1
27-7310	Decal-Refueling	2 33 1	42-7310	Bearing-Needle	34 3 1
27-7320	Decal-Traction Pedal	3 13 1	42-7320	Bearing-Needle	34 2 1
27-7370	Asm-Brake P.T.O.	9 25 1	42-7340	Gasket-Gear Case	34 5 1
27-7490	Pedal-L.H. Brake	11 41 1	42-7390	Seal-Oil	35 82 1
27-7510	Pedal-R.H. Brake	11 42 1	42-7400	Plug-Taper	34 1 1
27-7570	Pad-Left Turn	11 38 1	42-7420	Cap-Oil Filter	32 18 1
27-7580	Pad-Right Turn	11 2 1	42-7440	Hanger-Engine	32 29 2
27-7590	Mount-Brake	11 34 1	42-7460	Guide-Valve	32 27 6
27-7640	Shaft-Brake Latch	11 36 1	42-7470	Gasket-Cylinder Head	33 63 1
27-7900	Screw-Adjusting	9 35 1	42-7480	Glow Plug	32 28 3
27-8550	Pedal-Parking Brake	11 45 1	42-7490	Seal-Oil	32 21 2
27-9270	Mount-Brake Pivot Shaft	11 35 1	42-7500	Asm-Cover, Rocker	32 23 1
28-0650	Flanged Axle Shaft	18 1 2	42-7510	Pipe	32 4 2
28-0670	Oil Seal	18 13 2	42-7520	Gasket-Rocker Cover	32 24 1
28-0680	Brake Drum	18 11 2	42-7530	Label-Engine No.	32 22 1
28-1280	Boot-Cable	1 12 1	42-7540	Fitting-Water Outlet	32 15 1
28-5220	Wheel-Friction	11 25 1	42-7550	Gasket	32 9 2
28-9570	Pump Lever	21 51 1	42-7650	Asm-Connecting Rod	35 49 3
29-6120	Pump Plate	21 3 1	42-7660	Bearing Set	35 60 3
29-6150	Leaf Spring	21 46 1	42-7670	Bearing Set	35 * 3
29-6163	Micro Switch	21 2 1	42-7680	Bearing Set	35 * 3
29-6170	Extended Leaf Spring	21 7 1	42-7690	Bearing Set	35 * 3
29-8910	Washer	31 12 2	42-7700	Gear-Crankshaft	34 10 1
31-0390	Disc-Friction	12 31 1	42-7710	Crankshaft	35 59 1
33-2570	Asm-Radiator	6 16 1	42-7720	Pulley-Crankshaft	35 83 1
33-4380	Pump Hub	21 14 1	42-7730	Key-Woodruff	37 58 1
37-8770	Bolt-Shoulder	29 4 1	42-7730	Key-Woodruff	35 62 2
37-9550	Strap-Fuel Tank	15 7 1	42-7740	Nipple-Hose	32 11 1
37-9650	Trim	1 29 1	42-7780	Gear-Camshaft	37 57 1
38-1650	Fuel Gauge	4 5 1	42-7790	Asm-Idler Gear	37 56 1
38-1660	Ammeter	4 12 1	42-7810	Shaft-Injection Pump Cam	37 55 1
38-1670	Clamp Mounting	4 2 2	42-7820	Bearing-Ball	37 53 1
38-3400	Guard-Rubber	25 5 1	42-7830	Gear-Injection Pump Cam	37 61 1
38-3400	Guard-Rubber	22 60 1	42-7840	Key-Sunk	37 54 1
38-4550	Instrument Cover	1 19 1	42-7850	Retainer-Valve Spring	34 20 6
38-4600	Bar-Frame L.H.	6 22 1	42-7860	Lock-Spring Retainer	34 21 12
38-7820	Bearing	31 5 2	42-7880	Spring-Valve	34 19 6
39-8020	Trim-Instrument Cover	1 22 1	42-7890	Tappet	34 33 6
41-8760	Gasket Transmission	21 45 1	42-7920	Rod-Push	34 32 6
42-6080	Shim	31 30 AR	42-7930	Spring-Rocker Shaft L.H.	34 41 1
42-6080	Shim-Axle	15 30 AR	42-7940	Arm-Rocker	34 22 6
42-7040	Seal-Side	35 65 4	42-7950	Washer-Seat	34 24 2
42-7050	Guide-Oil Level Gauge	36 18 1	42-7960	Asm-Shaft, Rocker	34 40 1

*Not Illustrated

TORO PART NUMBER INDEX (Cont.)

Part No.	Description	Pg. No.	Ref. No.	Qty.	Part No.	Description	Pg. No.	Ref. No.	Qty.
42-7970	Stay-Rocker	34	23	3	42-9010	O-Ring	34	34	1
42-7980	Screw-Adjusting	34	30	6	42-9020	Plate-Locking	35	63	1
42-7990	Ring-Snap	34	43	2	42-9030	Asm-Filter, Oil	36	42	1
42-8000	Asm-Pump, Fuel Injection	36	2	1	42-9070	Pulley-Water Pump	33	56	1
42-8010	Shim-0.2 (.008 in.)	36	15	AR	42-9080	Asm-Water Pump	33	60	1
42-8020	Shim-0.3 (.012 in.)	36	*	AR	42-9090	Gasket-Water Pump	33	61	1
42-8030	Shim-0.4 (.016 in.)	36	*	AR	42-9100	Belt Fan	29	21	1
42-8040	Shim-0.5 (.020 in.)	36	15	AR	42-9110	Gasket	32	41	1
42-8050	Shim-0.6 (.024 in.)	36	*	AR	42-9120	Asm-Intake Manifold	32	6	1
42-8060	Shim-0.7 (.028 in.)	36	*	AR	42-9140	Gasket-Intake Manifold	32	7	1
42-8070	Shim-0.8 (.032 in.)	36	*	AR	42-9150	Pipe Inlet	32	3	1
42-8080	Shim-0.9 (.036 in.)	36	*	AR	42-9160	Gasket-Inlet Pipe	32	5	1
42-8090	Shim-1.0 (.039 in.)	36	15	AR	42-9170	Gasket-Exhaust Manifold	32	39	1
42-8100	Collar-Union	36	4	1	42-9180	Wire-Glow Plug Lead	32	26	2
42-8120	Gasket-Nozzle Holder	32	35	3	42-9190	Glow Lamp	4	14	1
42-8130	Asm-Pipe, Fuel Injection	36	7	1	42-9200	Complete Gasket Set	33	*	1
42-8140	Asm-Pipe, Fuel Injection	36	11	1	42-9210	Bolt-Bearing Cap	35	67	8
42-8150	Asm-Pipe, Fuel Injection	36	12	1	42-9220	Screw-HH	35	56	6
42-8180	Asm-Fuel Return Pipe	36	33	1	42-9230	Screw-HH	36	32	2
42-8190	Joint	36	35	2	42-9230	Screw-HH	31	34	1
42-8220	Holder-Delivery Valve	40	16	3	42-9230	Screw-HH	32	51	15
42-8230	Spring-Delivery Valve	40	14	3	42-9230	Screw-HH	35	81	3
42-8240	Gasket-Delivery Valve	40	13	3	42-9240	Screw-HH	32	44	3
42-8250	Delivery Valve Sub Asm.	40	12	3	42-9250	Screw-HH	34	14	4
42-8260	Element Sub Asm.	40	11	3	42-9260	Plug-Oil Drain	32	49	1
42-8270	Sleeve-Plunger Control	40	22	3	42-9300	Screw-HH	33	64	2
42-8280	Seat-Spring, Upper	40	23	3	42-9310	Screw-HH	32	1	4
42-8290	Spring-Pump Plunger	40	24	3	42-9320	Bolt-Cylinder Head	32	31	8
42-8300	Tappet Sub Asm.	40	27	3	42-9350	Screw-HH	34	27	2
42-8310	Asm-Rack, Control	40	21	1	42-9360	Bolt	34	26	2
42-8320	Seat-Spring, Lower	40	25	3	42-9370	Screw-HH	34	42	1
42-8330	O-Ring	40	15	3	42-9390	Bolt	32	33	6
42-8340	Pin-Tappet Guide	40	19	3	42-9430	Screw-HH	38	14	3
42-8350	Plate	40	20	1	42-9440	Screw-HH	34	39	1
42-8360	Asm-Plate, Adjusting	40	18	2	42-9450	Asm-Bolt/Washer	38	21	1
42-8370	Screw-Air Breather	39	8	1	42-9480	Screw-HH	36	43	3
42-8380	Screw-Hollow	40	10	1	42-9490	Screw-HH	33	58	4
42-8440	Shim-Plate	40	*	AR	42-9500	Screw-HH	33	55	3
42-8450	Shim-Plate	40	*	AR	42-9500	Screw-HH	35	87	8
42-8460	Spring Return	39	6	1	42-9510	Screw-HH	29	46	2
42-8650	Nut-Retaining	41	8	3	42-9510	Screw-HH	33	59	1
42-8670	Flange	41	2	3	42-9520	Screw-HH	32	43	5
42-8680	Asm-Nozzle	41	7	3	42-9530	Screw-HH	33	66	1
42-8720	Asm-Sliding Shaft	38	13	1	42-9570	Stud)	32	38	5
42-8730	Asm-Governor Lever	38	20	1	42-9580	Nut	29	19	2
42-8740	Spring-Tie Rod	38	11	1	42-9580	Nut	32	19	3
42-8750	Tie Rod	38	12	1	42-9580	Nut	31	20	4
42-8760	Shaft-Governor	38	22	1	42-9580	Nut	37	64	1
42-8770	Lever-Governor Spring	38	8	2	42-9580	Nut-Jam	38	10	2
42-8780	Asm-Speed Control Lever	38	6	1	42-9590	Nut-Connecting Rod	35	61	6
42-8790	Asm-Cover	38	29	1	42-9600	Washer-Lock	31	25	4
42-8800	Gasket Cover	38	30	1	42-9600	Washer-Lock	29	40	3
42-8810	Pin-Grooved	38	5	2	42-9600	Washer-Lock	33	65	2
42-8810	Pin-Grooved	38	32	1	42-9600	Washer-Lock	33	67	2
42-8820	Spring-Governor	38	23	1	42-9600	Washer-Spring	34	25	3
42-8830	O-Ring	38	7	2	42-9620	Nut-Jam	34	29	6
42-8850	Asm-Oil Pump	37	*	1	42-9640	Nut-Jam	38	36	1
42-8900	Body-Oil Pump	36	48	1	42-9660	Washer-Flat	36	23	6
42-8910	Asm-Rotor, Oil Pump	36	45	1	42-9660	Washer-Plain	33	54	4
42-8920	Cover-Oil Pump	36	44	1	42-9680	Washer	41	3	AR
42-8930	Spring-Relief	36	39	1	42-9690	Washer	41	*	AR
42-8940	O-Ring	36	46	1	42-9700	Washer	41	*	AR
42-8950	Gasket-Oil Pump Body	36	49	1	42-9710	Washer	41	*	AR
42-8960	Driven Unit-Speedometer	35	*	1	42-9720	Washer	41	*	AR
42-8970	Pin-Spring	34	35	1	42-9730	Washer	41	*3	AR
42-8980	Sleeve-Gear	34	36	1	42-9740	Washer	41	*	AR
42-8990	O-Ring	34	37	1	42-9750	Washer	41	*	AR

*Not Illustrated

TORO PART NUMBER INDEX (Cont.)

Part No.	Description	Pg. Ref. No. No. Qty.	Part No.	Description	Pg. Ref. No. No. Qty.
42-9770	Washer	40 9 1	43-3340	Grille-Sealing Plate	6 32 1
42-9790	Washer-Head Bolt	32 32 8	43-3350	Hose-Upper, Radiator	6 12 1
42-9800	Washer	32 20 2	43-3510	Pulley-Engine	29 27 1
42-9810	Washer-Flat	35 6 1	43-3530	Pulley Flywheel	31 26 1
42-9820	Washer	37 73 1	43-3690	Fan- Shaft	31 2 1
42-9830	Washer-Seal	36 3 2	43-3700	Hub-Fan	31 4 1
42-9850	Washer-Lock	32 2 24	43-3720	Collar-Bearing	29 32 1
42-9850	Washer-Lock	34 7 5	43-3730	Bracket Throttle Control	29 52 1
42-9850	Washer-Lock	38 9 2	43-3760	Lever Throttle	30 54 1
42-9850	Washer-Lock	36 31 7	43-3770	Link-Throttle	29 1 1
42-9860	Washer-Spring	35 85 1	43-3780	Swivel-Throttle Control	29 9 1
43-0080	Nut-Set	42 10 1	43-3790	Bracket Belt Guide	29 48 1
43-0090	Screw-HH	32 48 2	43-3810	Tube-Air Cleaner	44 18 1
43-0110	Screw-HH	36 14 3	43-3820	Spacer	4 34 1
43-0120	Screw-Set	42 3 1	43-3830	Hose-Air Cleaner	44 10 1
43-0190	Spring Set	43 4 1	43-3850	Muffler	31 17 1
43-0370	Shim	37 65 AR	43-3860	Shaft-Pivot P.T.O.	9 9 1
43-0380	Spacer	37 66 1	43-3870	Support-Muffler	31 8 1
43-0390	Alternator	37 67 1	43-3880	Pulley	31 10 1
43-0400	Brace-Alternator	37 71 1	43-3900	Guard-Fan Belt	8 5 1
43-0410	Asm-Regulator	4 25 1	43-3970	Panel-Instrument	4 16 1
43-0420	Asm-Pulley	42 2 1	43-3980	Decal-Panel, Instrument	4 46 1
43-0430	Asm-Bracket, Front	42 4 1	43-3990	Throttle Control	4 23 1
43-0470	Stator	42 9 1	43-4000	Circuit Breaker	4 21 1
43-0480	Asm-Rear Bracket	42 14 1	43-4010	Asm-Wire	5 4 2
43-0490	Asm-Holder, Brush	42 11 1	43-4040	Asm-Wire	5 3 1
43-0500	Brush	42 12 2	43-4150	Fuel Tank	15 4 1
43-0520	Asm-Rectifier	42 13 1	43-4160	Fitting-Return & Vent	15 13 1
43-1710	Asm-Valve	25 13 1	43-4190	Asm-Fitting	15 28 1
43-1730	Body	28 7 1	43-4230	Hose	30 56 1
43-1770	Plate-Rear	32 46 1	43-4230	Hose Return	15 15 1
43-1780	Thermostat	32 14 1	43-4300	Trim-Rear Frame	1 32 2
43-1790	Fitting-Thermostat	32 10 1	43-5500	Pivot P.T.O.	9 31 1
43-1800	Flywheel	35 53 1	43-5540	Shaft P.T.O.	9 43 1
43-1810	Gear-Ring	35 54 1	43-5550	Shaft-Actuator P.T.O.	9 32 1
43-1870	Manifold-Exhaust	32 42 1	43-5570	Arm, Actuator-P.T.O.	9 38 1
43-1880	Asm-Control Unit	4 27 1	43-5630	Yoke-P.T.O.	9 51 1
43-1900	Screw-HH	37 68 1	43-5690	Hose-Vent, Fuel Tank	15 16 1
43-1910	Fan-Cooling	31 1 1	43-5910	V-Belt	31 11 1
43-1940	Adapter-Temp. Gauge	29 11 1	43-5920	Washer-Lock	42 17 1
43-2550	Filter	7 15 1	43-5920	Washer-Lock	37 63 1
43-2560	Gasket	7 16 1	43-5930	Washer-Lock	36 9 1
43-2570	Gasket	7 14 1	43-5930	Washer-Lock	38 15 4
43-2580	Magnet	7 17 1	43-5930	Washer-Lock	34 28 2
43-2600	Screw-HH	36 10 2	43-5930	Washer-Lock	33 57 4
43-2710	O-Ring	36 19 1	43-5930	Washer-Lock	30 64 2
43-2720	Mold	42 16 1	43-5950	Washer-Lock	29 26 4
43-2730	Solenoid-Tubular	38 17 1	43-5960	Nut-Special	38 26 1
43-2740	Gasket	38 19 1	43-5970	Nut	37 62 1
43-2750	Nut	38 18 1	43-6240	Shim-Plate	40 * AR
43-2770	Lever-Stop	38 35 1	43-6470	Nut	35 84 1
43-2800	Screw-HH	38 24 1	43-6550	Snap Ring	16 21 1
43-2820	Sealing Cap	38 25 1	43-6710	Adjustment Shim .003	16 15 AR
43-3000	Plate-Smoke Set	39 * AR	43-6711	Adjustment Shim .005	16 16 AR
43-3010	Plate-Smoke Set	39 * AR	43-6712	Adjustment Shim .010	16 17 AR
43-3020	Plate-Smoke Set	39 7 AR	43-6713	Adjustment Shim .030	16 18 AR
43-3110	Spring-Ungleich Set	39 2 1	43-6750	Roller Bearing Cup	16 10 1
43-3120	Washer-Seal	38 27 1	43-6760	Roller Bearing Cone	16 9 1
43-3130	Hose-Water	32 13 1	43-6810	Torque-Spider	18 5 2
43-3140	Clamp-Hose	32 12 2	43-6840	Lower Housing	17 34 1
43-3150	Asm-Bolt/Washer	40 17 2	43-7020	Hose-Lower, Radiator	6 19 1
43-3160	Screw-Adjusting	38 33 1	43-8600	Spring-Compression	8 25 1
43-3190	Screw-HH	29 41 3	43-8600	Spring-Compression	10 66 1
43-3200	Screw-HH	31 24 4	43-8610	Guide-Spring & Ball Seat	9 5 1
43-3210	Screw-HH	29 28 4	43-8610	Guide-Spring & Ball Seat	8 24 1
43-3320	Foam-Radiator	6 20 2	43-8620	Guide-Switch Pin	8 27 1
43-3330	Radiator Shroud	6 14 1	43-8620	Guide-Switch Pin	10 68 1

*Not Illustrated

TORO PART NUMBER INDEX (Cont.)

Part No.	Description	Pg. No.	Ref. No.	Qty.	Part No.	Description	Pg. No.	Ref. No.	Qty.
43-8860	Plunger-Switch	8	26	1	51-7500	Spring-Pressure	41	4	3
43-8860	Plunger-Switch	10	67	1	51-7520	Piece-Distance	41	6	3
43-8870	Boot-Switch	8	30	1	51-7740	Stopper	43	20	1
43-8870	Boot-Switch	10	71	1	51-7780	Cover Set	43	16	1
43-9071	Asm-Switch	10	*	1	51-7810	Asm-Brush Holder	43	13	1
43-9071	Asm-Switch	8	*	1	51-7820	Spring-Brush	43	12	4
44-2210	Warning Light	4	8	1	51-7830	Bracket-Rear	43	14	1
44-2220	Wire Lead	4	6	1	51-7850	Nut Set	42	1	1
44-2230	Rubber Coupling	21	17	2	51-7890	Screw-Set	42	19	1
44-8070	Asm-Nozzle & Holder	32	34	3	51-7910	Asm-Rotor	42	7	1
44-8080	Body	41	1	3	51-7920	Bearing-Rear	42	8	1
44-8090	Asm-Lever, Stop	38	31	1	52-1321	Decal-Diesel Fuel	1	31	1
44-8100	Spring Return	38	34	1	53-4430	Decal-Oil	15	42	1
46-2210	Shim-Front Pinion Bearing	16	22	AR	53-4430	Decal-Oil Fill	3	11	1
46-2211	Shim-Front Pinion Bearing	16	*	AR	53-8150	Asm-Pump Fuel, Electric	7	13	1
46-2212	Shim-Front Pinion Bearing	16	*22	AR	53-9480	Washer	31	28	2
46-2213	Shim-Front Pinion Bearing	16	*	AR	53-9480	Washer	29	39	2
46-2214	Shim-Front Pinion Bearing	16	*	AR	53-9660	V-Belt Torque Team	9	12	1
46-2215	Shim-Front Pinion Bearing	16	*	AR/	53-9680	Engine Mount-Rubber	29	23	2
46-2216	Shim-Front Pinion Bearing	16	*	AR	53-9680	Engine Mount-Rubber	31	29	2
46-2220	Shim-Front Pinion Bearing	16	*	AR	53-9710	Engine Mount	29	22	2
46-2221	Shim-Front Pinion Bearing	16	*	AR	53-9750	Fan Mount	31	6	1
46-2222	Shim-Front Pinion Bearing	16	*	AR	54-7890	Pump Housing	23	22	1
46-2223	Shim-Front Pinion Bearing	16	*	AR	54-8650	Screw-HHF	37	70	1
46-2224	Shim-Front Pinion Bearing	16	*	AR	54-8660	Washer	37	69	1
46-2225	Shim-Front Pinion Bearing	16	*	AR	54-8670	Bolt-Flywheel	35	52	5
46-2226	Shim-Front Pinion Bearing	16	*	AR	54-8680	Shim-Plate	40	*	AR
46-2410	Shim-Front Pinion Bearing	16	*	AR	54-8690	Shim-Plate	40	*	AR
46-2411	Shim-Front Pinion Bearing	17	*22	AR	54-8700	Plate-Smoke Set	39	7	AR
46-2412	Shim-Front Pinion Bearing	17	*	AR	54-8710	Plate-Smoke Set	39	*	AR
46-2413	Shim-Front Pinion Bearing	17	*	AR	54-8780	E-Ring	39	5	1
46-2414	Shim-Front Pinion Bearing	17	*	AR	54-9290	Bracket	21	29	2
46-2415	Shim-Front Pinion Bearing	17	*	AR	54-9300	Cover	21	28	1
46-2416	Shim-Front Pinion Bearing	17	*	AR	55-3572	Fuel Cap	15	18	1
46-2420	Shim-Front Pinion Bearing	17	*	AR	55-4300	Warning Decal	45	12	3
46-2421	Shim-Front Pinion Bearing	17	*	AR	56-0220	Pin-Dowel	34	13	2
46-2422	Shim-Front Pinion Bearing	17	*	AR	56-0750	Clamp	36	8	2
46-2423	Shim-Front Pinion Bearing	17	*	AR	56-0760	Clamp	36	13	2
46-2424	Shim-Front Pinion Bearing	17	*	AR	56-0900	Plate-Smoke Set	39	*	AR
46-2425	Shim-Front Pinion Bearing	17	*22	AR	56-0910	Plate-Smoke Set	39	*	AR
46-2426	Shim-Front Pinion Bearing	17	*	AR	56-0920	Plate-Smoke Set	39	*	AR
46-6390	Drive Coupling	21	18	1	56-0930	Plate-Smoke Set	39	*	AR
46-7610	Asm-Starter	32	47	1	56-0990	Plate-Smoke Set	39	*	AR
46-7630	Asm-Bracket, Front	43	2	1	56-1000	Plate-Smoke Set	39	*	AR
46-7640	Asm-Lever	43	3	1	56-1010	Plate-Smoke Set	39	*	AR
46-7650	Asm-Bracket, Center	43	5	1	56-1310	Asm-Oil Pressure Switch	36	41	1
46-7660	Asm-Switch	43	6	1	56-2120	Screw-HH	37	74	1
46-7670	Armature Set	43	8	1	56-2460	Washer	19	45	AR
46-7680	Bearing-Front	43	7	1	56-7980	Sleeve-Protective	15	24	1
46-7710	Asm-Shaft, Clutch	43	*	1	59-9740	Flexible Draw Latch	6	18	1
46-7720	Pinion Set	43	19	1	60-9760	Nut	26	7	1
46-7740	Gear Set	43	*	1	60-9760	Nut-Hex	27	7	1
46-7750	Asm-Shaft, Pinion	43	18	1	60-9770	Piston	26	6	1
46-7760	Gear	43	17	1	60-9780	Head	26	5	1
46-7780	Asm-Yoke	43	11	1	61-4960	Kit-Repair	26	3	1
46-8050	Packing	43	10	1	61-4980	Shaft-w/Clevis	26	2	1
46-8400	Needle Bearing	24	53	2	61-4990	Ring-Retaining	26	4	1
46-8410	Motor Shaft	24	58	1	62-3010	Bracket, R.H.	8	4	1
46-8810	Stop-Leaf Spring	22	56	1	62-3020	Bracket L.H.	8	10	1
46-8840	Spring-Lift Arm	45	14	1	62-3730	Screw-Cap, w/Washer	34	8	2
47-7420	Hose	30	55	1	62-3740	Plate-Front	34	6	1
48-1800	Kit-Cylinder Block	23	5	2	62-4250	Cylinder-Hydraulic	25	21	1
48-1980	Gasket	35	78	1	62-6840	Sender-Fuel Level	15	12	1
48-1990	Nut-Jam	35	77	1	62-6940	Cap	38	37	1
48-2010	Asm-Screen, Oil	35	76	1	62-7020	Asm-Wheel & Tire	15	*	2
48-2020	Cylinder Block Sub Assy.	33	62	1	62-7650	Gasket	15	8	1
48-7630	Screw-HH	30	63	2	63-1400	Belt Guide	30	58	1

*Not Illustrated

TORO PART NUMBER INDEX (Cont.)

Part No.	Description	Pg. Ref. No. No. Qty.	Part No.	Description	Pg. Ref. No. No. Qty.
63-7590	Relay	4 42 1	68-9112	Shim	31 * AR
63-8280	Asm-Head	7 5 1	68-9160	Bracket	6 27 1
63-8290	Vent	7 3 1	68-9650	Hose-Axle	21 37 1
63-8300	Element-Fuel Filter	7 10 1	68-9710	Hose-Steering Cylinder	15 43 2
63-8310	Drain Valve	7 11 1	68-9720	Hose-Cylinder to Steering	12 19 1
63-8360	Key	4 11 1	68-9730	Hose-Steering to Cylinder	12 18 1
63-8960	Asm-Hose	6 30 1	68-9760	Fuel Tank Base	15 2 1
63-8970	Hose-Trans. to Steering	12 14 1	69-9870	Asm-Wheel & Tire	15 * 2
63-8980	Hose-Aux. to Valve	12 22 1	69-9880	Tire-23" x10.5" x12" 6 Ply	15 * 2
63-8990	Hose	25 15 1	70-1180	Cable-Battery Positive	1 13 1
63-8990	Hose	12 23 1	70-1190	Cable-Ground	4 43 1
63-9010	Asm-Hose	6 24 1	70-1190	Ground Cable	5 5 1
63-9230	Battery Type MF24-78	1 9 1	70-1380	Sleeve-Protective	12 17 1
63-9260	Manifold-Valve	25 17 1	70-1390	Sleeve-Protective	12 15 1
63-9640	Hose Fuel	15 27 1	70-2200	Decal-Toro	3 1 1
63-9650	Hose	7 20 1	70-2620	Elbow-90°	21 38 1
63-9720	Hose	7 7 1	70-2810	Spring-Brush	42 15 1
66-1250	Cylinder-Hydraulic	25 * 1	70-3320	Bearing-Front	42 5 1
66-1930	Nut-Lock	20 6 1	70-3330	Bearing-Rear	43 9 1
66-1940	Piston	20 5 1	70-3970	Shim-Plate	40 26 AR
66-2990	Cap-Spindle	19 54 2	70-4070	Shim-Plate	40 * AR
66-3240	Asm-Radiator Cap	6 4 1	70-4080	Shim-Plate	40 26 AR
66-5310	Idler Pulley	31 18 1	70-4090	Shim-Plate	40 * AR
66-5320	Spacer	31 19 1	70-4100	Shim-Plate	40 * AR
66-6140	Decal-Toro	6 7 1	70-4240	E-Ring	39 1 1
66-6370	Lift Arm	45 1 1	71-4540	Washer-Thrust	19 8 AR
66-6390	Decal-Caution	1 3 1	72-3690	Fender	2 41 2
66-7030	Screw-Cap w/Washer	31 32 2	72-3750	Ball Bearing	23 2 1
66-7150	Push Arm R.H.	45 9 1	72-4200	Ring-Set-Piston Std.	34 44 3
66-9760	Nut-Hex.	12 2 1	72-4210	Ring Set-Piston	34 45 3
66-9970	Kit-Spring	13 * 1	72-4220	Ring Set-Piston	34 46 3
66-9980	Kit-Seal	13 * 1	72-4230	Ring Set-Piston	34 47 3
66-9990	Kit-Needle Roller	13 * 1	72-4240	Piston & Piston Pin Std.	35 48 3
67-1710	Decal-Caution	1 30 1	72-4250	Piston & Piston Pin	35 * 3
67-1720	Decal-Torque	3 10 2	72-4260	Piston & Piston Pin	35 *48 3
67-1720	Decal-Torque	2 42 2	72-4270	Piston & Piston Pin	35 * 3
67-1750	Bushing	19 4 6	72-4280	Camshaft	37 59 1
67-2390	Plug-Taper	34 12 3	72-4320	Switch-Ball	9 3 1
67-2390	Plug-Taper	36 36 1	72-4320	Switch-Ball	8 20 1
67-2500	Plunger-Relief	36 40 1	72-6950	Retainer-Oil Level Guide	36 20 1
67-2520	Plug	36 38 1	72-9420	Asm-Vent Tube	17 39 1
67-2560	Screw-HH	38 28 3	74-0720	Tube-Manual	8 2 1
67-2570	Plug-Taper	36 25 1	75-0560	Asm-Steering Wheel	12 3 1
67-2860	Bolt-Connecting Rod	35 50 6	75-9890	Washer-Shim	10 75 AR
67-4040	Asm-Weight, Governor	38 16 1	75-9900	Engine Support-Front	29 29 1
67-5450	Piston	27 6 1	76-1900	O-Ring	23 18 2
67-5460	Head	27 5 1	77-3100	Decal -Warning	6 11 3
67-5470	Ring-Retaining	27 4 1	77-3120	Bracket-Mount, Column	12 9 1
67-5480	Shaft	27 2 1	77-3140	Engine Mount	31 22 1
67-5500	Kit-Repair	27 3 1	80-2880	Bracket-Steering, Tilt	12 40 1
67-8020	Pump Shaft	23 20 1	80-2930	Washer	12 39 1
67-8050	Needle Bearing	23 35 1	80-2940	Plate-Pivot	12 29 1
67-8190	Bracket-Engine Support	8 12 2	80-2960	Spacer-Tower	12 10 2
67-8690	Support-Column	12 7 1	80-2980	Boss-Pin	12 32 1
67-8960	Weight-Rear	19 57 1	80-3330	Gasket	44 12 1
67-9030	Grille	6 36 1	82-2590	Plug-Thrust	35 88 1
67-9080	Motor Housing	23 4 1	82-8650	Clamp-Half	12 37 1
67-9090	Plug	23 42 2	82-8660	Cover-Tower	12 5 1
67-9100	Gasket	23 10 1	82-8670	Rod-Brake Latch	11 10 1
67-9800	Bumper	45 37 1	82-8760	Elbow	12 12 1
68-5140	Cap-Wheel, Steering	12 46 1	82-8770	Elbow	12 21 1
68-5370	Decal-Toro	12 1 1	82-8930	Decal-Parking Brake	11 12 1
68-8610	Fender-Extension	2 43 1	82-8940	Decal-Steering, Tilt	12 44 1
68-8660	Elbow	21 31 1	82-8970	Decal-Engine Coolant	6 3 1
68-8990	Head-Filter	21 33 1	82-9010	Disc-Friction	12 38 1
68-9110	Shim	31 37 AR	83-7260	Relief Valve Cone	23 31 2
68-9111	Shim	31 * AR			

*Not Illustrated

TORO PART NUMBER INDEX (Cont.)

Part No.	Description	Pg. No.	Ref. No.	Qty.	Part No.	Description	Pg. No.	Ref. No.	Qty.
83-9150	Decal-Starting Fluid	44	19	1	93-1369	Asm-Head, Cylinder	32	8	1
84-5330	Bracket-Hood Prop	6	40	1	93-3180	Bolt-Cylinder Head	32	25	3
84-5380	Strap-Hood Prop	6	41	1	93-3181	Pin-Pressure	41	5	3
84-8500	Lever-P.T.O.	9	2	1	93-3183	Tool Box	2	36	1
84-8520	Bracket-P.T.O. Switch	9	6	1	93-3184	Cover	2	54	1
84-8600	Shoe & Lining Assembly	18	16	1	93-3188	Decal-325D	6	8	2
86-6240	Plug-Taper	32	37	1	93-3198	Asm-Spindle L.H.	19	33	1
86-7040	Rod-Seat Prop	8	32	1	93-3199	Asm-Spindle R.H.	19	1	1
86-7050	Bracket-Switch Actuator	10	73	1	93-3654	Screw	42	18	1
86-7060	Bracket-Hood Hold Down	6	46	1	93-3655	Screw-Set	43	1	1
86-7220	Gear Transmission Output	21	44	1	93-3656	Gasket-Pump, Water	33	68	1
86-7230	Spur-Gear	16	14	1	93-3657	Pin-Dowel	36	47	2
86-8100	Asm-Ball Joint	45	33	2	93-3685	Pipe-Air Breather	32	16	1
86-9410	Bracket-Seat Support	6	45	1	93-3687	Bolt Set	43	15	1
86-9580	Upper Housing	17	26	1	93-3688	Cap-Shipping	34	31	1
86-9600	Asm-Differential	15	35	1	93-3689	Case-Gear	34	4	1
88-0070	Floor Plate	2	48	1	93-3769	Clevis Pin	9	26	1
88-0470	Tube-Pedal Spacer	11	49	1	93-4132	O-Ring	24	54	2
88-1640	Pin-Traction Pedal	11	20	1	93-4133	Lip Seal	23	36	1
88-1650	Shaft-Traction Pedal	11	22	1	93-7042	Cover Flywheel Guard	19	51	1
88-1670	Bracket-Pivot	11	23	1	93-9996	Asm-Drive Shaft	10	*	1
88-1680	Bracket-Footrest	11	48	1	94-3304	Pedal-Traction	11	18	1
88-1710	Footrest	11	50	1	94-3307	Pad-Front Pedal	11	47	1
88-1720	Pad-Footrest	11	51	1	94-3308	Pad-Pedal	11	19	1
88-1790	Asm-Wire Harness	5	2	1	94-6934	Screw-Socket Head	18	21	8
88-1820	Radiator Support	6	35	1	94-6935	Nut-Lock	18	12	8
92-1773	Screw-HH	16	11	4	94-6936	Washer	18	23	8
92-1774	Oil Seal	18	2	2	94-9160	Engine	29	13	1
92-1961	Seal-Valve Stem	34	18	6	95-1566	Plate-Ungleich Set	39	3	AR
92-4058	Arm-P.T.O.	9	30	1	95-1567	Plate-Ungleich Set	39	*	AR
92-4060	Fork P.T.O.	9	24	1	95-1568	Plate-Ungleich Set	39	*	AR
92-4848	Asm-Gear & Pinion	17	*	1	95-1569	Plate-Ungleich Set	39	*	AR
92-4903	Asm-Upper Hsg., 2WD	17	*	1	95-1570	Plate-Ungleich Set	39	*	AR
92-5723	Bushing-P.T.O. Fork	9	23	2	95-1571	Plate-Ungleich Set	39	*	AR
92-5727	Screw-HH	9	22	2	95-1572	Plate-Ungleich Set	39	*	AR
92-5838	Ball Joint	19	14	2	95-1573	Plate-Smoke Set	39	*	AR
92-6588	Gland	20	3	1	95-1574	Plate-Smoke Set	39	*	AR
92-6593	Seal Kit	20	2	1	95-1576	Plate-Smoke Set	39	*	AR
92-7308	Valve-Steering, Power	12	25	1	95-1821	Spring-Compression	11	9	1
92-7310	Bolt-Special	13	36	4	95-3092	Kit-400 Hour Filter	21	*	1
92-7314	Asm-Column	13	*	1	95-3092	Kit-400 Hour Filter	44	*	1
92-7315	Seal	13	28	1	95-3092	Kit-400 Hour Filter	7	*	1
92-7316	Nut-Push On	13	38	4	98-3864	Brace-Lower Left	3	8	1
92-7317	Foam	13	39	1	98-3865	Brace-Lower Right	3	6	1
92-7800	Cover-Battery Access	1	21	1	98-3866	Brace0Upper	3	3	2
92-7801	Shield-Battery Cover	2	53	1	98-3879	Asm-Frame	3	2	1
92-7802	Decal-Starting Instructions	1	20	1	98-3883	Clamp	1	27	1
92-7803	Support-Axle	19	6	1	212-93	Wire Clip	8	18	2
92-7807	Pin-Rear Axle	19	3	1	212-93	Wire Clip	10	53	1
92-7816	Axle-Rear	19	35	1	217-106	Wheel	19	22	2
92-7821	Steering Pivot	19	38	1	217-116	Rim-23" x10.5" x12"	15	*	2
92-7828	Cylinder-Hyd. Steering	20	*	1	217-117	Rim	15	33	2
92-7828	Cylinder-Hydraulic	19	16	1	218-461	Nut-Jam	8	29	2
92-7833	Hose-(Valve to Cylinder)	25	19	1	218-461	Nut-Jam	10	70	2
92-7834	Line-Hose	25	22	1	218-473	Toggle Switch Boot	4	17	1
92-7845	Spacer-Hardened	19	55	1	218-515	Mounting Bracket	4	39	1
92-8775	Gasket Kit-Wheel Bearing	18	†	1	218-533	Lens	4	9	1
92-8776	Plug	24	61	4	218-539	Clamp	4	13	1
92-8777	O-Ring	24	62	4	231-90	Tube-Inner	15	*	2
92-8918	Center Section	24	55	1	231-95	Tire-23" x10.5" x12" 4 Ply	15	*	2
92-8947	Transmission-Inline	21	42	1	231-101	Tire	15	31	2
93-0307	Nut-Retainer, Lock	19	56	2	231-105	Tire	19	24	2
93-0309	Washer-Tab	19	27	2	232-27	Valve Stem	15	*	1
93-0312	Washer-Hardened	24	60	4	232-31	Valve Stem w/Cap	19	23	2
93-1351	Valve-Intake	34	16	3	232-31	Valve Stem w/Cap	15	34	2
93-1352	Valve-Exhaust	34	17	3	233-17	Knob	11	11	1
93-1353	Lever-Steering, Tilt	12	34	1	233-21	Knob	25	3	1

*Not Illustrated

TORO PART NUMBER INDEX (Cont.)

Part No.	Description	Pg. Ref.			Part No.	Description	Pg. Ref.		
		No.	No.	Qty.			No.	No.	Qty.
233-35	Knob	4	7	2	283-10	Pin	45	40	3
237-7	O-Ring	8	28	1	283-17	Pin	25	26	1
237-7	O-Ring	10	69	1	283-42	Clevis Pin	9	7	1
237-22	O-Ring	19	13	2	283-58	Clevis Pin	11	14	2
237-22	O-Ring	23	13	1	283-76	Pin-Lynch	6	39	1
237-22	O-Ring	12	20	3	285-17	Pipe Plug	23	12	4
237-22	O-Ring	25	29	2	289-37	Pipe Nipple	15	40	1
237-22	O-Ring	22	58	1	2811-9	Street Elbow	15	39	1
237-30	O-Ring	9	4	1	302-2	Grease Fitting	9	39	1
237-30	O-Ring	12	13	3	302-5	Fitting-Grease	19	19	3
237-30	O-Ring	8	23	1	302-5	Fitting-Grease	11	44	2
237-30	O-Ring	25	30	2	302-5	Grease Fitting	45	13	1
237-30	O-Ring	22	59	1	302-5	Grease Fitting	45	34	2
237-42	O-Ring	28	2	2	302-10	Grease Fitting	9	10	1
237-42	O-Ring	25	31	2	302-10	Grease Fitting	29	31	1
237-42	O-Ring	22	57	2	302-11	Fitting-Grease	19	36	3
237-78	O-Ring	25	32	2	302-33	Grease Fitting	45	28	2
237-80	O-Ring	21	30	1	302-55	Fitting-Grease	26	1	2
237-80	O-Ring	23	33	1	302-55	Grease Fitting	27	1	2
237-81	O-Ring	21	32	3	304-46	Drain Cock	6	21	1
237-86	O-Ring	23	7	4	304-73	Fitting-Straight Barb	25	23	1
237-95	O-Ring	23	41	1	304-73	Hose Barb	7	19	1
241-119	Dust Cap	19	20	2	304-75	Fitting-90° Barb	25	20	1
242-34	Axle Flange Stud	18	9	10	304-96	90° Hose Barb	7	2	1
242-50	Nut-Wheel	19	21	10	321-2	Screw-HH	21	26	2
249-21	Hook Clamp	1	16	3	321-3	Screw-HH	31	36	4
249-40	Keeper	6	10	1	321-4	Screw-HH	7	4	2
2412-3	Hose Clamp	6	5	4	321-4	Screw-HH	29	7	1
2412-3	Hose-Clamp	44	9	1	321-4	Screw-HH	21	27	2
2412-4	Clamp	15	23	1	321-4	Screw-HH	4	30	2
2412-6	Clamp	15	17	2	321-4	Screw-HH	10	72	1
2412-31	Clamp-Bodine	29	6	1	321-6	Screw-HH	7	12	2
2412-34	Clamp-Hose	21	36	2	321-6	Screw-HH	15	20	1
2412-36	Clamp	12	24	2	321-6	Screw-HH	6	42	1
2412-36	Clamp Hose	25	16	1	321-6	Screw-HH	4	44	1
2412-39	Clamp	6	31	1	321-6	Screw-HH	21	47	2
2412-42	Hose Clamp	44	11	1	321-23	Screw-HH	25	14	5
2412-61	Clip-Tinnerman	1	25	2	322-2	Screw-HH	8	21	2
2412-74	Clamp	2	35	1	322-3	Screw-HH	44	13	4
2412-79	Clamp	15	14	1	322-4	Screw-HH	15	26	1
2412-79	Clamp	29	15	1	322-4	Screw-HH	23	37	4
2412-79	Clamp-Hose	36	34	8	322-4	Screw-HH	12	43	1
2412-108	Clamp-Hose	25	28	2	322-5	Screw-HH	4	29	2
2412-108	Clamp-Worm Drive	29	14	1	322-6	Screw-HH	21	21	6
2412-108	Hose Clamp	7	1	5	322-6	Screw-HH	6	33	7
2412-126	R-Clamp	15	25	1	322-6	Screw-HH	2	34	2
2412-133	R-Clamp	8	3	2	322-8	Screw-HH	21	25	2
251-8	Ball Bearing	23	46	1	322-17	Screw-HH	21	8	1
251-234	Lock Collar	9	41	2	323-6	Screw-HH	17	46	1
251-252	Ball Bearing	29	33	1	323-6	Screw-HH	12	27	2
251-252	Ball Bearing	9	40	2	323-7	Screw-HH	21	39	2
251-259	Ball Bearing	21	5	1	323-13	Screw-HH	11	32	1
252-82	Needle Bearing	23	23	2	323-14	Screw-HH	6	23	3
253-129	Closure	19	31	2	323-14	Screw-HH	11	56	1
254-65	Cone-Tapered Bearing	17	28	2	323-42	Screw-HH	11	54	1
254-66	Cup-Tapered Bearing	17	27	2	323-56	Screw-HH	23	3	4
254-72	Cup-Bearing	19	29	4	324-4	Screw-HH	45	19	2
254-90	Bearing Cup	17	24	1	324-11	Screw-HH	45	22	2
254-91	Bearing Cone	17	23	1	324-11	Screw-HH	31	27	2
254-94	Cone-Bearing	19	28	4	324-12	Screw-HH	29	38	2
256-10	Bushing	11	43	4	329-7	Screw-HH	29	53	1
256-113	Bushing-Flange	9	47	4	3210-7	Screw-HH	21	6	1
256-121	Bushing-Thrust	19	34	2	3210-7	Screw-HH	16	19	8
256-126	Bushing	45	16	6	3217-5	Nut	29	50	1
256-156	Bushing	11	6	5	3217-6	Nut	44	2	2
256-242	Bushing	19	41	2	3217-6	Nut-Hex	4	32	2
281-1	Plug-Taper	36	16	1	3217-6	Nut-Hex.	1	7	2

*Not Illustrated

TORO PART NUMBER INDEX (Cont.)

Part No.	Description	Pg. No.	Ref. No.	Qty.	Part No.	Description	Pg. No.	Ref. No.	Qty.
3217-7	Nut-Hex	11	28	2	3253-21	Washer-Lock	10	55	4
3217-8	Nut-Full	45	8	2	3254-2	Washer-Lock Int. Tooth	29	18	2
3217-9	Nut	17	42	2	3254-2	Washer-Lock Internal	2	51	1
3217-16	Nut-Hex.	21	48	2	3254-2	Washer-Lock Int. Tooth	4	24	6
3217-26	Nut	4	37	1	3254-7	Washer-Lock	9	15	1
3218-5	Nut-Jam	11	3	2	3254-9	Washer-Lock	21	49	2
3218-7	Nut-Jam	12	42	1	3255-5	Washer-Lock	4	38	1
3219-1	Nut	29	2	5	3255-7	Washer-Lock, Ext. Tooth	4	31	3
3219-2	Nut	16	1	8	3255-7	Washer-Lock	21	50	3
3219-2	Nut-Hex	21	9	1	3255-7	Washer-Lock, Ext. Tooth	7	21	2
3219-3	Nut	9	33	1	3255-8	Washer-Lock	16	2	8
3219-7	Nut	9	16	1	3255-9	Washer-Lock External	30	61	1
3219-14	Nut	4	1	6	3256-3	Washer-Flat	21	23	4
3219-14	Nut	15	10	1	3256-3	Washer-Flat	12	28	4
3220-3	Nut-Jam	11	27	1	3256-6	Washer-Flat	17	43	2
3220-3	Nut-Jam	19	43	8	3256-6	Washer-Flat	9	20	1
3220-5	Nut-Jam	11	46	1	3256-6	Washer-Flat	22	53	1
3220-5	Nut-Jam, R.H. Thd.	19	40	2	3256-14	Washer-Flat	4	35	1
3220-6	Nut	13	27	1	3256-22	Washer-Flat	11	8	1
3220-6	Nut-Jam	19	37	4	3256-22	Washer-Flat	29	8	1
3220-7	Nut-Jam	19	25	2	3256-22	Washer-Flat	6	43	1
3220-12	Nut-Jam, L.H. Thd.	19	*	2	3256-23	Washer-Flat	1	1	2
3229-1	Bolt-Carriage	2	38	5	3256-23	Washer-Flat	8	22	2
3230-1	Bolt-Carriage	11	52	2	3256-25	Washer-Flat	45	6	1
3230-2	Bolt-Carriage	15	29	3	3256-26	Washer-Flat	11	40	1
3231-21	Bolt-Carriage	11	31	2	3256-28	Washer-Flat	9	14	4
3231-25	Screw-Carriage	3	7	4	3256-41	Washer-Flat	9	36	4
3233-14	Bolt-Carriage	31	9	1	3256-46	Washer-Flat	12	26	2
3234-1	Screw-HHF	6	15	2	3256-64	Washer-Flat	29	25	4
3234-11	Screw w/Locking Flange	8	13	6	3257-5	Woodruff Key	9	11	3
3234-11	Screw-HH	31	31	4	3257-30	Key-Woodruff	31	3	2
3234-11	Screw-HH	11	39	3	3257-32	Woodruff Key	21	15	1
3234-11	Screw-HH	29	45	4	3257-32	Woodruff Key	23	21	1
3234-11	Screw-HHF	15	1	2	3257-33	Key Woodruff	29	30	1
3234-11	Screw-HHF	1	28	5	3258-19	Screw-Mach. Rd. Hd.	44	16	2
3234-12	Screw-HHF	1	6	4	3272-5	Cotter Pin	11	7	3
3234-12	Screw-HHF	31	33	2	3272-6	Cotter Pin	25	8	1
3234-13	Screw	19	53	2	3272-6	Cotter Pin	9	8	1
3234-14	Screw-HH	8	6	5	3272-6	Cotter Pin	11	21	6
3234-14	Screw-HH	2	44	2	3272-10	Cotter Pin	45	38	3
3234-17	Screw-HH	12	8	2	3272-10	Cotter Pin	22	54	1
3234-17	Screw-HH	8	16	4	3272-11	Cotter Pin	45	2	2
3234-18	Screw-HH	30	60	1	3272-11	Cotter Pin	9	28	1
3234-24	Screw-HHF	3	4	2	3272-13	Pin-Cotter	19	26	2
3234-24	Screw-HHF	6	34	2	3272-16	Cotter Pin	31	14	2
3234-25	Screw-HHF	3	5	10	3272-22	Cotter Pin	9	17	2
3234-25	Screw-HHF	2	50	4	3272-24	Cotter Pin	45	10	1
3234-32	Screw-HHF	19	7	6	3272-33	Cotter Pin	45	17	1
3234-32	Screw-HHF	8	11	2	3274-47	Screw-HSFH	11	33	1
3241-5	Screw-Set, Socket Head	29	36	2	3290-134	Screw-Hex. Hd. Mach.	4	4	2
3241-5	Screw-Set, Sq. Hd.	21	16	2	3290-144	Screw-Machine	1	17	9
3245-1	Set Screw	9	46	2	3290-224	Washer-Lock	30	59	1
3246-3	Set Screw	9	29	4	3290-271	Rivet	6	9	4
3249-11	Screw-Mach. Rd. Hd.	21	1	2	3290-357	Nut-HFH	8	14	6
3250-17	Screw-PH	4	22	2	3290-357	Nut-Lock Flange	31	7	8
3253-3	Washer-Lock	15	5	2	3290-357	Nut-Lock Flange	29	43	7
3253-3	Washer-Lock	31	35	4	3290-357	Nut-Lock, Flange	1	26	5
3253-3	Washer-Lock	29	51	3	3290-378	Cable Tie	7	8	AR
3253-4	Washer-Lock	1	8	2	3290-378	Cable Tie	1	23	2
3253-4	Washer-Lock	31	21	5	3290-379	Cable Tie	29	16	1
3253-4	Washer-Lock	29	47	2	3290-379	Cable Tie	6	29	4
3253-6	Washer-Lock	45	7	2	3290-379	Cable Tie	4	41	1
3253-17	Washer-Lock	4	3	6	3290-379	Tie-Cable	12	16	3
3253-17	Washer-Lock	15	9	1	3290-424	Screw-Hex. Hd. Mach.	4	28	1
3253-21	Washer-Lock	17	45	1	3296-2	Nut	1	14	9
3253-21	Washer-Lock	11	29	4	3296-6	Nut-Lock	9	34	1
3253-21	Washer-Lock	21	40	2	3296-12	Nut-Lock.	4	26	3

*Not Illustrated

TORO PART NUMBER INDEX (Cont.)

Part No.	Description	Pg. Ref. No. No. Qty.	Part No.	Description	Pg. Ref. No. No. Qty.
3296-16	Nut-Lock	6 44 1	32128-37	Nut-Lock Flange	29 44 2
3296-16	Nut-Lock	10 74 1	32128-42	Nut-Flange Lock	45 27 4
3296-20	Nut-Lock	29 5 1	32128-43	Nut-HFH	11 55 2
3296-20	Nut-Lock	12 30 4	32136-2	Nut	45 3 2
3296-28	Nut-Lock	9 27 1	32136-3	Nut-Hex. Slotted	31 13 2
3296-29	Nut-Lock	21 4 1	32144-10	Screw, Self-Tapping	2 45 11
3296-29	Nut-Lock	12 36 2	32144-10	Screw-Self Tapping	25 4 2
3296-29	Nut-Lock	2 55 2	32144-10	Screw-TAP	6 1 5
3296-42	Nut-Lock	21 10 6	32144-10	Screw-TAP	12 6 6
3296-42	Nut-Lock	25 10 5	32144-10	Screw-TAP	8 33 2
32103-2	Nut-Wing	1 11 3	32144-10	Screw-TAP	19 52 2
32103-2	Nut-Wing	6 37 2	32144-14	Screw-TAP	19 2 2
32104-6	Screw-TAP	10 56 4	32144-21	Screw	12 45 1
32104-96	Screw-TAP	15 6 1	32144-53	Screw-TAP	15 11 5
32104-116	Screw-TAP	6 17 8	32144-67	Screw-TAP	15 36 4
32107-11	Nut	44 14 2	32146-20	Nut-Lock	19 9 1
32120-8	Retaining Ring	23 1 1	32148-9	Insert-Threaded	3 12 1
32120-11	Retaining Ring	23 47 1	32149-2	Nut	7 9 2
32120-15	Retaining Ring	23 45 1	32149-2	Nut	7 22 2
32120-22	Ring-Retaining	9 42 2	32149-2	Nut	11 37 1
32120-22	Ring-Retaining, Internal	29 34 1	32149-2	Nut-Lock	4 33 3
32120-69	Ring-Retaining, External	29 35 1	32151-36	Ring-Retaining	19 12 3
32120-72	Ring-Retaining External	21 43 1	32151-46	Retaining Ring	23 27 2
32121-6	Pin-Roll	21 11 1	32151-104	Ring-Retaining	19 10 2
32121-9	Pin-Roll	9 49 1	32152-1	Nut-Lock	21 19 8
32121-15	Roll Pin	17 30 1	32152-1	Nut-Lock, Flange	29 12 1
32121-16	Pin-Roll	11 24 1	32153-2	Nut-Hex.	12 11 2
32121-24	Pin-Roll	22 55 1	32153-2	Nut-Lock	11 30 2
32121-73	Pin-Slotted Spring	25 9 1	32153-2	Nut-Lock	30 57 1
32121-84	Roll Pin	45 25 2	340-54	Fitting 45°	19 15 2
32121-91	Pin-Coil ,Spring	23 49 3	340-70	Nut-Lock, Bulkhead	6 26 2
32128-20	Nut-Flange	44 21 4	340-71	Union-Bulkhead	6 25 2
32128-20	Nut-Flange	15 37 4	340-77	Elbow	21 12 1
32128-20	Nut-Flange	12 41 1	340-97	Fitting-90°	25 25 1
32128-20	Nut-HFH	6 2 7	340-99	Elbow	21 13 1
32128-20	Nut-Lock, Flange	2 37 1	340-99	Fitting-90° Elbow	25 12 1
32128-21	Nut-HFH	6 28 3	340-110	Elbow-90°	25 24 1
32128-21	Nut-Lock HFH	3 9 4	340-112	Elbow-90°	25 18 1
32128-21	Nut-Lock, Flange	1 5 10	353-508	Plug-Drain	21 41 1
32128-23	Nut-Lock Flange	31 16 1	353-512	Plug	25 1 1
32128-23	Nut-Lock Flange	29 24 2	353-550	Plug-Hex. Hd.	23 19 2
32128-23	Nut-Lock, Flange	19 5 4	353-551	Plug-Hex. Hd.	23 32 1
32128-25	Nut-HFH	11 53 2	353-702	Hose Barb	7 18 1
32128-33	Nut-Lock, Flange	2 39 5	353-975	Hose Barb	7 6 1
32128-37	Nut-Lock Flange	31 23 2	353-987	Elbow	21 35 1

PRODUCT CHANGES

In an effort to make improvements available to TORO owners as quickly as possible – minor changes are incorporated into Toro's products from time to time that do not become immediately shown in the Parts Catalog. If such a change has been made in your unit – which is not reflected in your manual – see your TORO Distributor or his Authorized TORO Service Dealer for information and part numbers.

IDENTIFICATION AND ORDERING

MODEL AND SERIAL NUMBERS

The Groundsmaster 325D has two identification numbers; a model number and a serial number. The two numbers are stamped on a plate which is located on the main frame under the seat. In any correspondence concerning the Groundsmaster 325D – supply model and serial numbers to assure that correct information and replacement parts are obtained.

To order replacement parts from an Authorized TORO Service Dealer – supply the following information:

1. Model and serial number of the Groundsmaster 325D.
2. Part number – description – and the quantity of part(s) desired.

NOTE: Do not order by reference number if a parts catalog is being used; use the PART NUMBER.

TABLE OF CONTENTS

Description	Page	Description	Page
Main Frame	1–3	Transmission Assembly No. 92–8947	23–24
Instrument Panel Assembly	4	Valve and Cylinder Assembly	25
Electrical Schematic	5	Hydraulic Lift Cylinder Assembly	
Radiator & Hood Assembly	6	No. 62–4250 (2–1/2" Bore)	26
Fuel Filter Assembly	7	Hydraulic Lift Cylinder Assembly	
Interlock Assembly	8	No. 66–1250 (3" Bore) (Opt.)	27
Power Take Off Assembly	9–10	Control Valve Assembly No. 43–1710	28
Brake Pedal Assembly	11	Engine Assembly	29–37
Power Steering Assembly	12	Governor Assembly	38
Power Steering Valve Assembly		Fuel Injection Pump Assembly	39–40
No. 92–7308	13	Nozzle and Holder Assembly	
Hydraulic Schematic	14	No. 44–8070	41
Front Axle and Fuel Tank Assembly	15	Alternator Assembly No. 43–0390	42
Differential Assembly No. 86–9600	16–17	Starter Assembly No. 46–7610	43
Brake Assembly	18	Air Cleaner Assembly	44
Rear Axle and Wheel Assembly	19	Push Arm Assembly	45
Hydraulic Steering Cylinder Assembly	20	TORO Part Number Index	46–55
Hydrostatic Transmission	21–22		