



Count on it.

Parts Catalog

22in Recycler[®] Lawn Mower

Model No. 20370—Serial No. 312000001 and Up

Ordering Replacement Parts

To order replacement parts, please supply the part number, the quantity, and the description of each part desired.

Understanding Reference Numbers

Each identified part in an illustration has a reference number. The reference number for a part also appears in the parts list, along with other information about the part.

This catalog uses two special reference number formats, one to indicate parts in a service assembly and another to indicate the quantity of a given part in an illustration.

Service Assembly Reference Numbers

Parts in service assemblies have reference numbers in the form a:b. The a represents the reference number of the entire service assembly and the b represents a sequential number unique to each part within the service assembly.

For example, a wheel assembly might be identified by reference number 6, the tire by 6:1, the valve by 6:2, and the wheel by 6:3. When you order the assembly identified by reference number 6, you receive all parts identified by reference numbers 6:1, 6:2, and 6:3. However, you may also order any part individually. Reference numbers of this type appear in illustration and in parts lists.

Reference Numbers Indicating Quantity

In an illustration, if a reference number indicates more than one part, the reference number has the form nX y. The n represents the quantity of the part, the X is the multiplication symbol, and the y represents the reference number.

For example, in an illustration, the reference number 2X 37 means that two of the parts identified by reference number 37 are indicated.

List of Abbreviations

AR: as required

ASM: assembly

BBC: blade brake control

BHTF: button head thread forming

CARR: carriage

CCW: counter clockwise

CW: clockwise

DEG: degrees

DPA: Dual Point Adjustment

ECM: electronic control module

EXT: external

FH: flat head

GA: gauge

HD: heavy-duty

HF: hex flange

HH: hex head

HHF: hex head flange

HHFTF: hex head flange thread forming

HJ: hex jam

HLH: hex lag head

HOC: height-of-cut

HSBH: hex socket button head

HSFH: hex socket flat head

HSH: hex socket head

HWH: hex washer head

HWHTF: hex washer head thread forming

HYD: hydraulic

LH: left hand

LP: Liquid Propane

NI: nylon insert

NPTF: national pipe thread fine

PFH: phillips flat head

PPH: phillips pan head

PPHTF: phillips pan head thread forming

PRH: phillips round head

PTH: phillips truss head

PTO: power-take-off

RH: right hand

ROPS: roll-over protection system

RRB: rear roller brush

SFH: slotted fillister head

SHH: slotted hex head

SHWH: slotted hex washer head

SPH: slotted pan head

SQH: square head

SRH: slotted round head

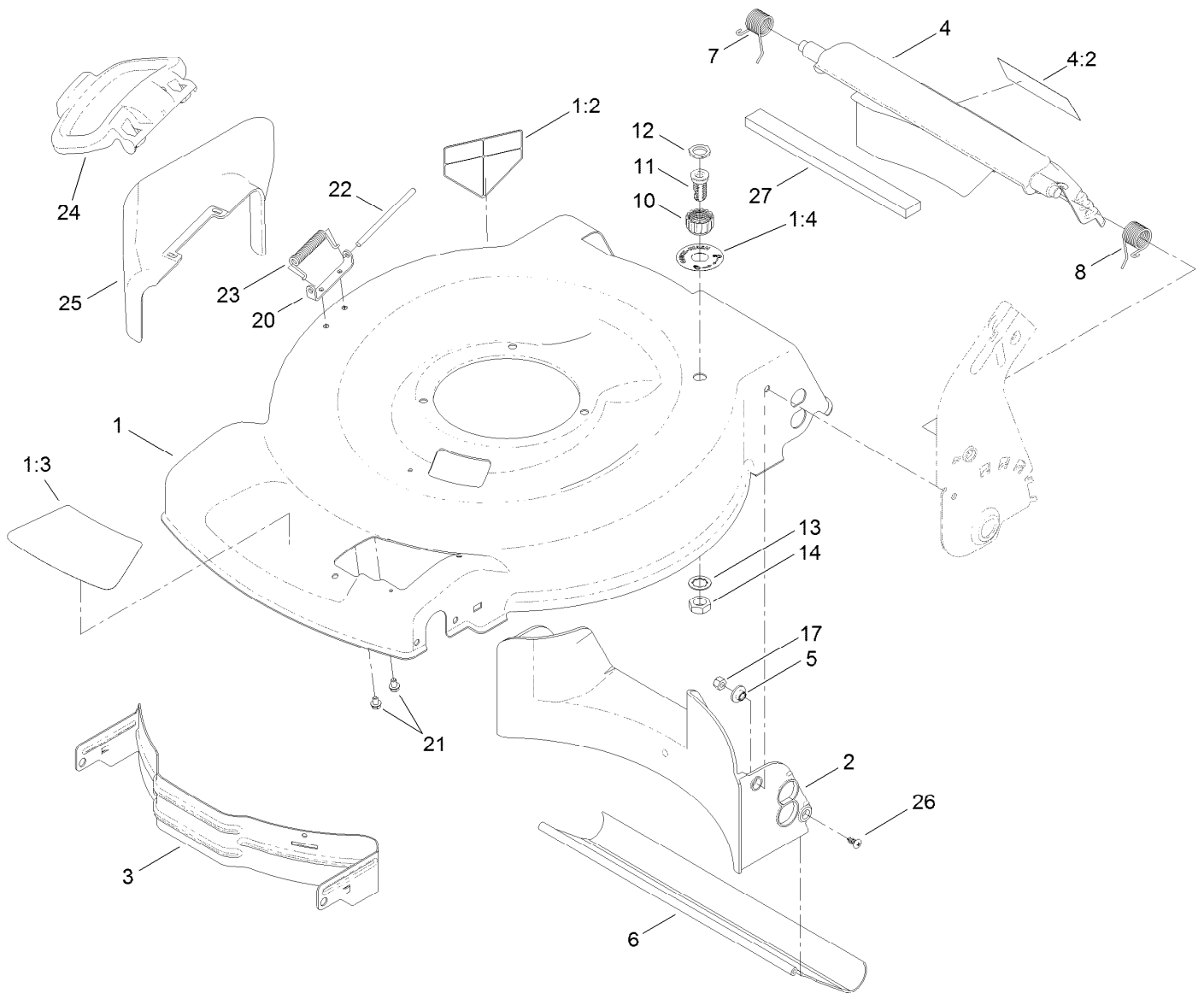
STD: standard

TAP: self tapping

TTH: torx truss head

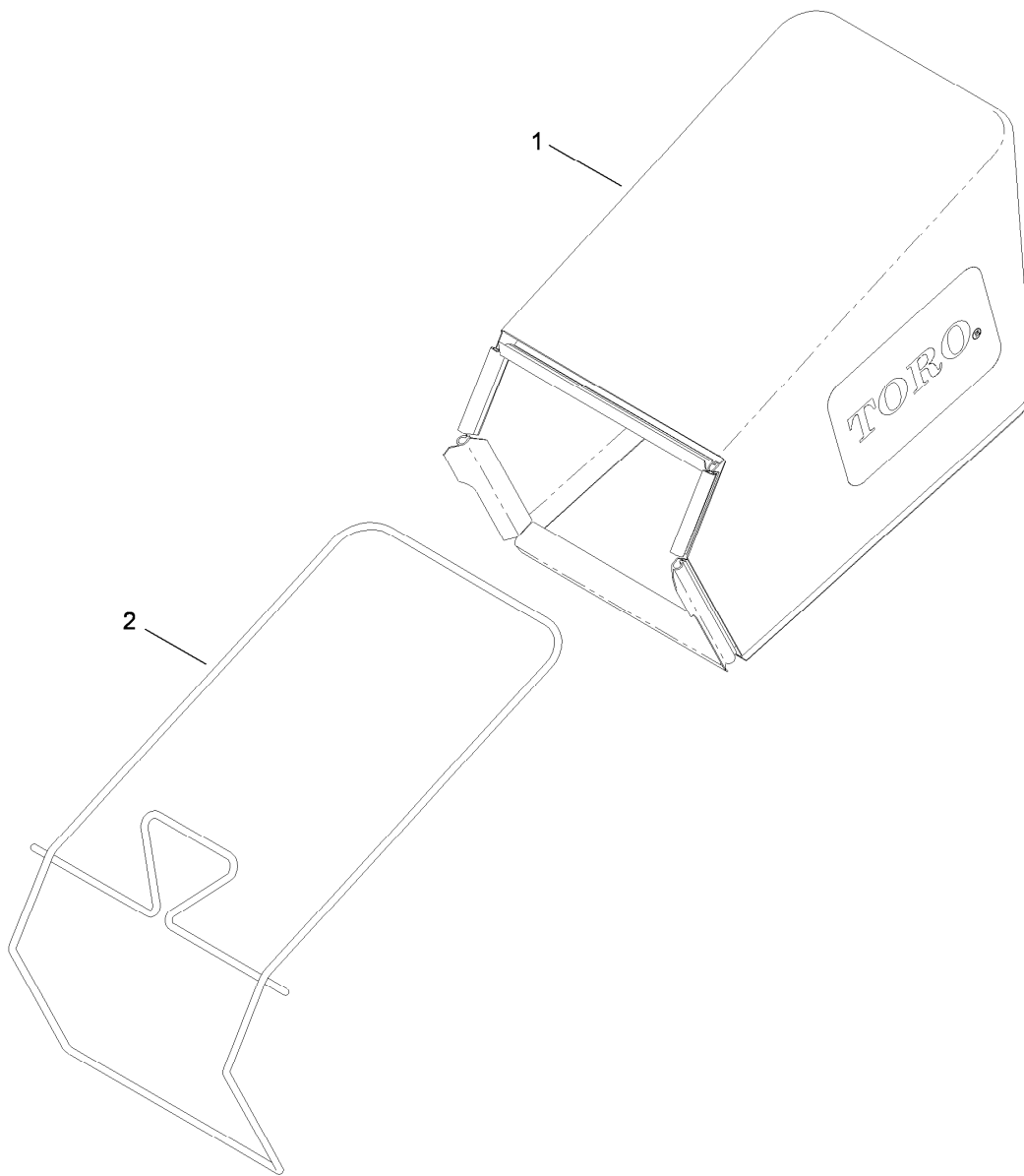
Contents

Housing and Rear Deflector Assembly	4
Rear Bag Assembly	5
Engine and Blade Assembly	6
Transmission and Front Wheel Drive Assembly	7
Rear Wheel and Height-of-Cut Assembly	8
Handle Assembly	9
Attachments and Accessories	10



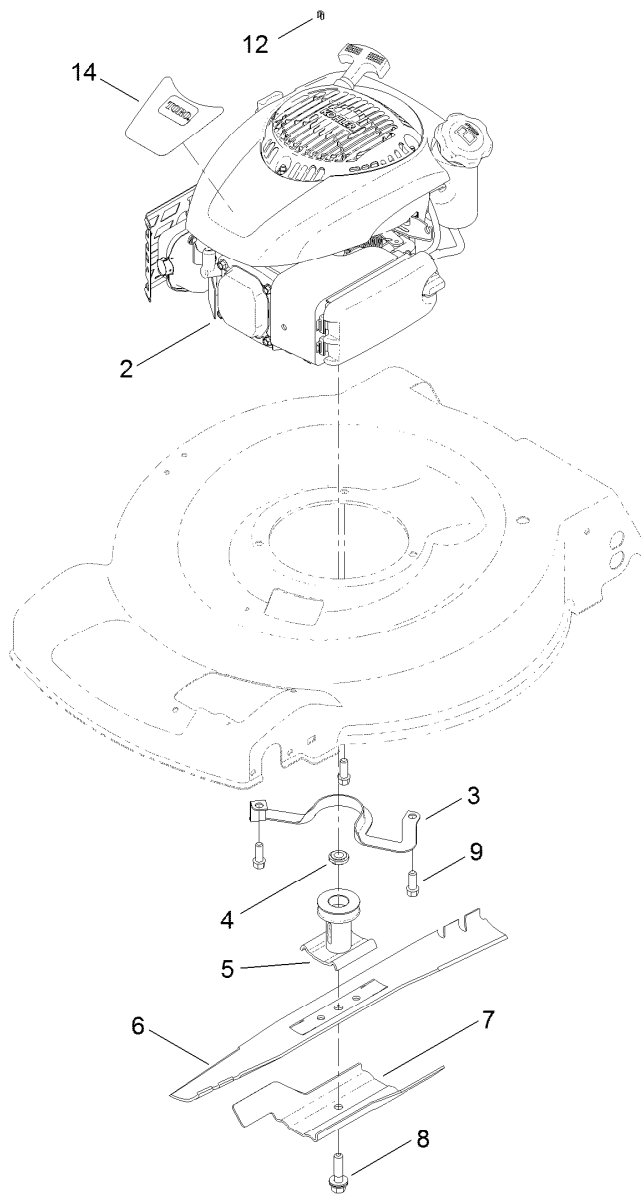
Housing and Rear Deflector Assembly

<i>Ref.</i>	<i>Part Number</i>	<i>Qty.</i>	<i>Description</i>	<i>Ref.</i>	<i>Part Number</i>	<i>Qty.</i>	<i>Description</i>
1	117-1085	1	Housing ASM	11	112-6400	1	Port-Washout
1:2	94-8072	1	Decal-Danger	12	112-6438	1	Washer-Seal, Washout Port
1:3	115-4678	1	Decal-Recycler	13	3254-5	1	Washer-Tooth, Internal
1:4	112-8867	1	Decal-Port, Washout	14	3218-6	1	Nut-Jam
2	120-5218	1	Baffle-Rear	17	3296-29	2	Nut-Lock, NI
3	114-7963-01	1	Baffle-Front	20	112-6416	1	Bracket-Cover
4	117-4199	1	Rear Deflector ASM	21	99-8445	2	Screw-HWH, Taptite
4:2	114-7982	1	Decal-Warning	22	99-5291	1	Rod-Cover
5	117-5991	2	Washer-Stepped, Baffle	23	99-5293	1	Spring-Torsion
6	115-8420	1	Shield-Trailing	24	115-8449	1	Deflector-Side
7	114-7924	1	Spring-Torsion	25	115-8447	1	Chute-Discharge, Side
8	115-2859	1	Spring-Torsion	26	117-1092	2	Screw-PTH
10	112-6401	1	Coupling-Hose, Washout Port	27	117-5924	1	Foam-Seal



Rear Bag Assembly

<i>Ref.</i>	<i>Part Number</i>	<i>Qty.</i>	<i>Description</i>
1	115-4664	1	Grass Bag ASM
2	114-2639-03	1	Bag Frame ASM

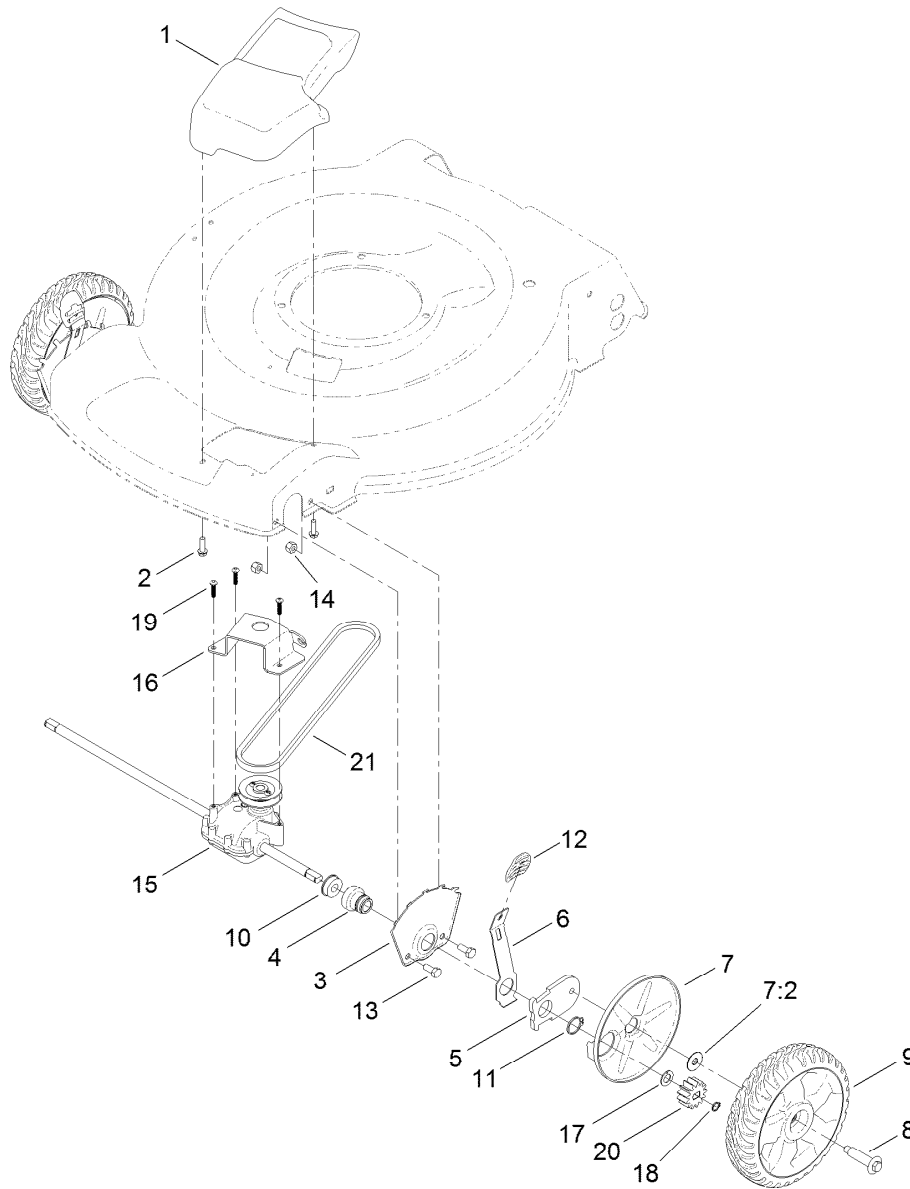


Engine and Blade Assembly

Ref.	Part Number	Qty.	Description
2		1	Engine-Kohler ●■
3	105-3031-03	1	Guide-Belt
4	106-3999	1	Spacer-Driver
5	106-3987	1	Blade Driver ASM
6	108-9764-03	1	Blade-22 Inch
7	108-3766-03	1	Support-Blade
8	105-8579	1	Bolt-Blade
9	95-1726	3	Screw-Taptite
12	92-1701	1	Stop-Rope
14	120-9464	1	Decal-Shroud

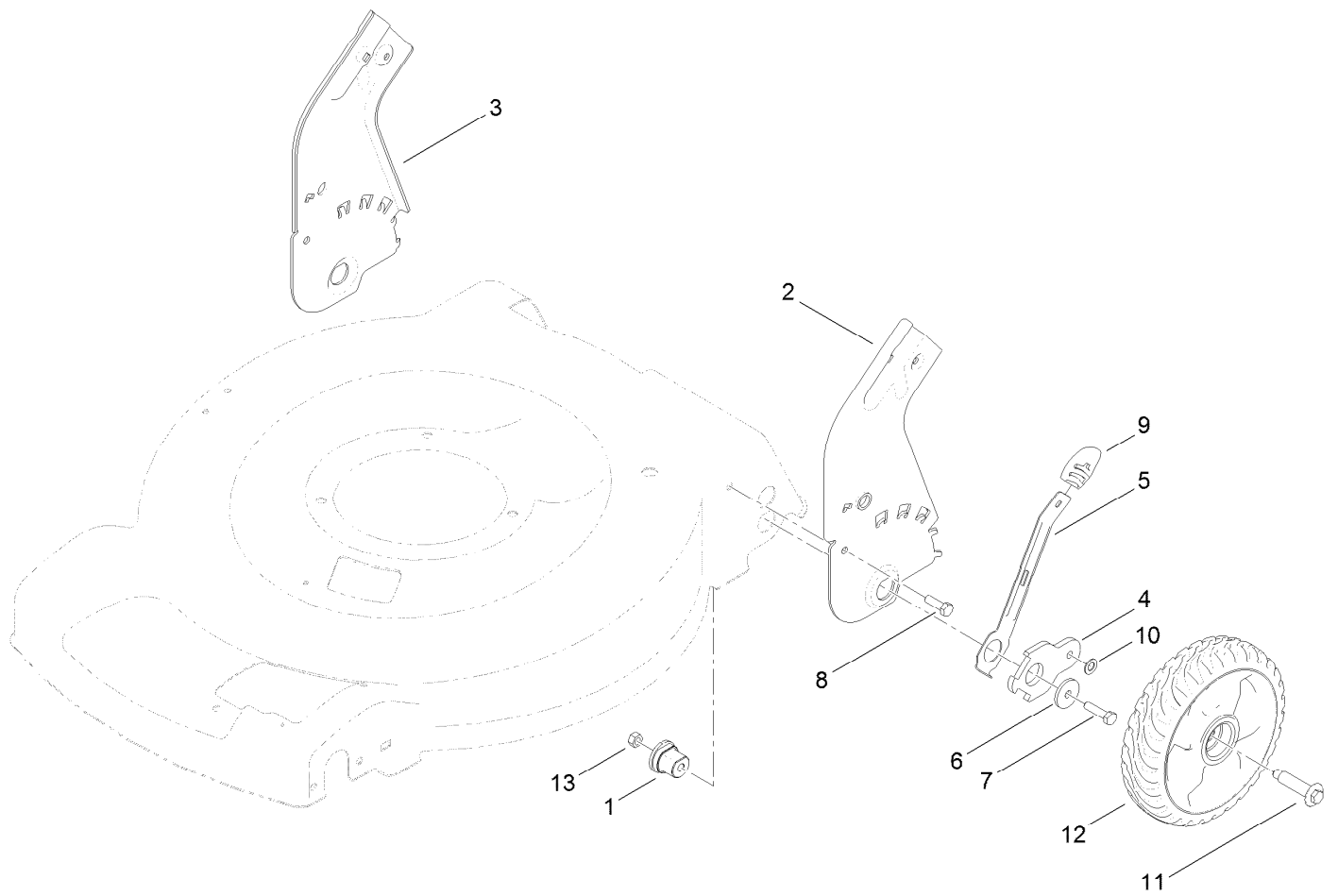
● Not serviced separately

■ Obtain parts from www.kohlerplus.com



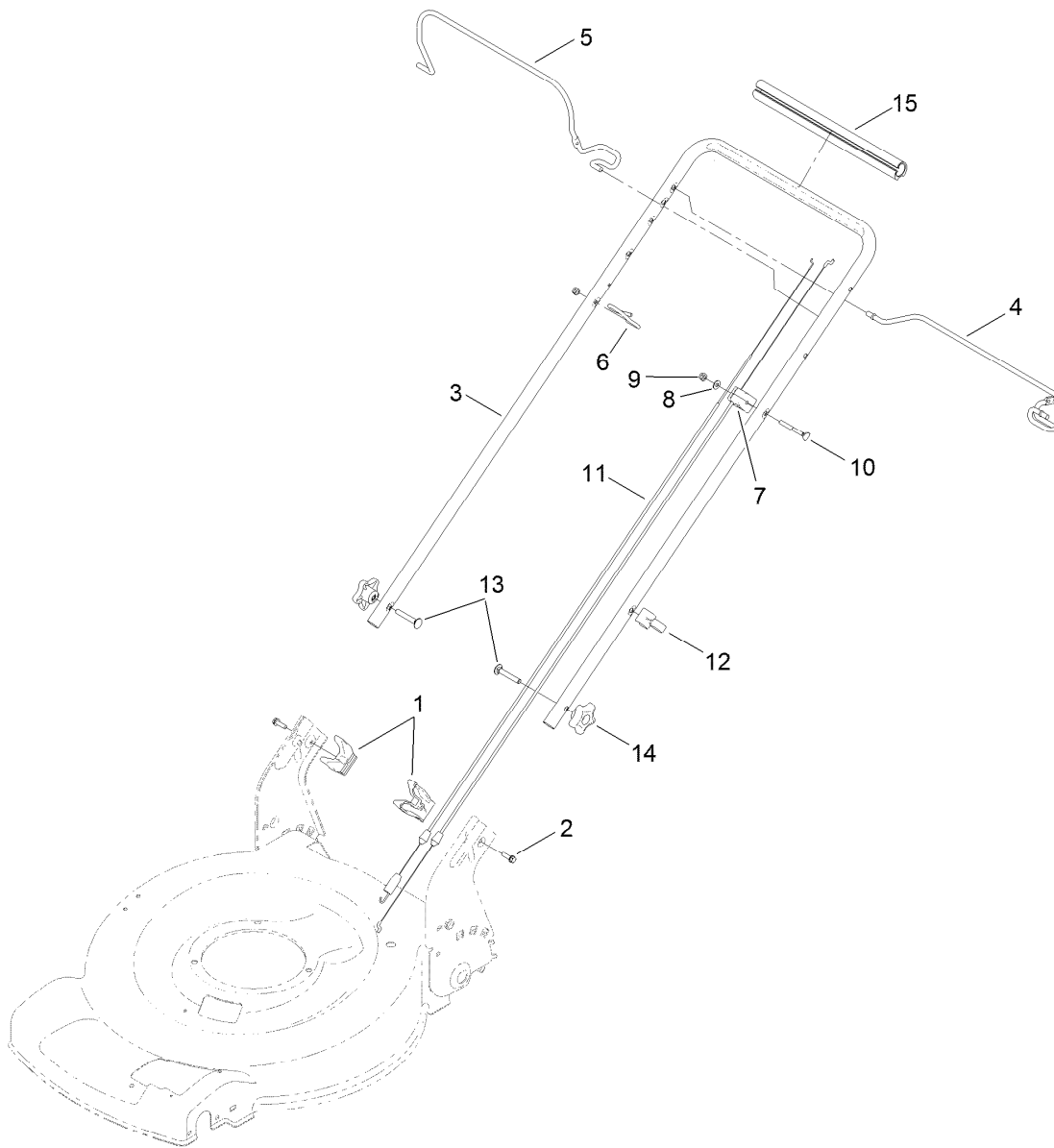
Transmission and Front Wheel Drive Assembly

<i>Ref.</i>	<i>Part Number</i>	<i>Qty.</i>	<i>Description</i>	<i>Ref.</i>	<i>Part Number</i>	<i>Qty.</i>	<i>Description</i>
1	115-1305	1	Cover-Belt	11	32151-36	2	Ring-Retaining
2	46-8091	2	Screw-HWH	12	105-3042	2	Knob-Lever, HOC
3	115-1956-03	2	Plate-HOC, Front	13	322-3	4	Screw-HH
4	104-8698	2	Retainer-Bearing, HOC	14	3296-29	4	Nut-Lock, NI
5	105-1807	2	Arm-Pivot, Front	15	115-1992	1	Transmission ASM
6	105-1809	2	Arm-Spring	16	114-7978-03	1	Bracket-Transmission
7	110-1792	2	Wheel Cover ASM	17	110-7191	2	Washer-Thrust
7:2	614426	1	Washer-Stepped	18	32151-61	2	Ring-Retaining
8	614650	2	Bolt-Shoulder	19	108-7476	3	Screw-Plastite
9	119-0311	2	8 Inch Wheel ASM (Gear)	20	115-4665	2	Gear-Pinion, 13T
10	104-8699	2	Bearing-Ball	21	117-1018	1	V-Belt



Rear Wheel and Height-of-Cut Assembly

<i>Ref.</i>	<i>Part Number</i>	<i>Qty.</i>	<i>Description</i>
1	115-4651	2	Bushing-Mount, HOC
2	114-7998-03	1	Plate-HOC, Rear (LH)
3	114-7999-03	1	Plate-HOC, Rear (RH)
4	114-7997	2	Arm-Pivot, Rear
5	115-2899	2	Arm-Spring, Rear
6	105-3048	2	Washer-Flat
7	322-7	2	Screw-HH
8	322-5	2	Screw-HH
9	105-3042	2	Knob-Lever, HOC
10	40-1940	2	Washer
11	614650	2	Bolt-Shoulder
12	115-2894	2	8 Inch Wheel ASM
13	3296-29	2	Nut-Lock, NI



Handle Assembly

Ref.	Part Number	Qty.	Description
1	115-2866	2	Anchor-Bag
2	46-8091	2	Screw-HWH
3	119-3810-05	1	Handle
4	119-2378-03	1	Bail-Traction
5	117-5965-03	1	Bail-Brake
6	86-9671	1	Guide-Rope
7	112-8818	1	Cable-Brake
8	3256-1	1	Washer-Flat
9	3296-73	2	Nut-Lock, NI
10	92-2270	1	Screw-Handle
11	119-2379	1	Cable-Traction
12	114-7988	1	Guide-Cable
13	3230-6	2	Screw-CARR
14	117-5976	2	Knob-Handle, Locking
15	119-2357	1	Grip-Handle, Comfort

Attachments and Accessories

For 20370 22in Recycler Lawn Mower

Product Name	Model/Part
Replacement Bag	59305
Replacement Bag Kit	59307
22in Blade Kit.....	59534

Notes:



Count on it.