



**Count on it.**

**Parts Catalog**

**Groundsmaster® 7200**

**Traction Unit with 72in Side Discharge  
Mower**

**Model No. 30360—Serial No. 312000001 and Up**

# Ordering Replacement Parts

To order replacement parts, please supply the part number, the quantity, and the description of each part desired.

## Understanding Reference Numbers

Each identified part in an illustration has a reference number. The reference number for a part also appears in the parts list, along with other information about the part.

This catalog uses two special reference number formats, one to indicate parts in a service assembly and another to indicate the quantity of a given part in an illustration.

## Service Assembly Reference Numbers

Parts in service assemblies have reference numbers in the form a:b. The a represents the reference number of the entire service assembly and the b represents a sequential number unique to each part within the service assembly.

For example, a wheel assembly might be identified by reference number 6, the tire by 6:1, the valve by 6:2, and the wheel by 6:3. When you order the assembly identified by reference number 6, you receive all parts identified by reference numbers 6:1, 6:2, and 6:3. However, you may also order any part individually. Reference numbers of this type appear in illustration and in parts lists.

## Reference Numbers Indicating Quantity

In an illustration, if a reference number indicates more than one part, the reference number has the form nX y. The n represents the quantity of the part, the X is the multiplication symbol, and the y represents the reference number.

For example, in an illustration, the reference number 2X 37 means that two of the parts identified by reference number 37 are indicated.

# List of Abbreviations

**AR:** as required

**ASM:** assembly

**BBC:** blade brake control

**BHTF:** button head thread forming

**CARR:** carriage

**CCW:** counter clockwise

**CW:** clockwise

**DEG:** degrees

**DPA:** Dual Point Adjustment

**ECM:** electronic control module

**EXT:** external

**FH:** flat head

**GA:** gauge

**HD:** heavy-duty

**HF:** hex flange

**HH:** hex head

**HHF:** hex head flange

**HHFTF:** hex head flange thread forming

**HJ:** hex jam

**HLH:** hex lag head

**HOC:** height-of-cut

**HSBH:** hex socket button head

**HSFH:** hex socket flat head

**HSH:** hex socket head

**HWH:** hex washer head

**HWHTF:** hex washer head thread forming

**HYD:** hydraulic

**LH:** left hand

**LP:** Liquid Propane

**NI:** nylon insert

**NPTF:** national pipe thread fine

**PFH:** phillips flat head

**PPH:** phillips pan head

**PPHTF:** phillips pan head thread forming

**PRH:** phillips round head

**PTH:** phillips truss head

**PTO:** power-take-off

**RH:** right hand

**ROPS:** roll-over protection system

**RRB:** rear roller brush

**SFH:** slotted fillister head

**SHH:** slotted hex head

**SHWH:** slotted hex washer head

**SPH:** slotted pan head

**SQH:** square head

**SRH:** slotted round head

**STD:** standard

**TAP:** self tapping

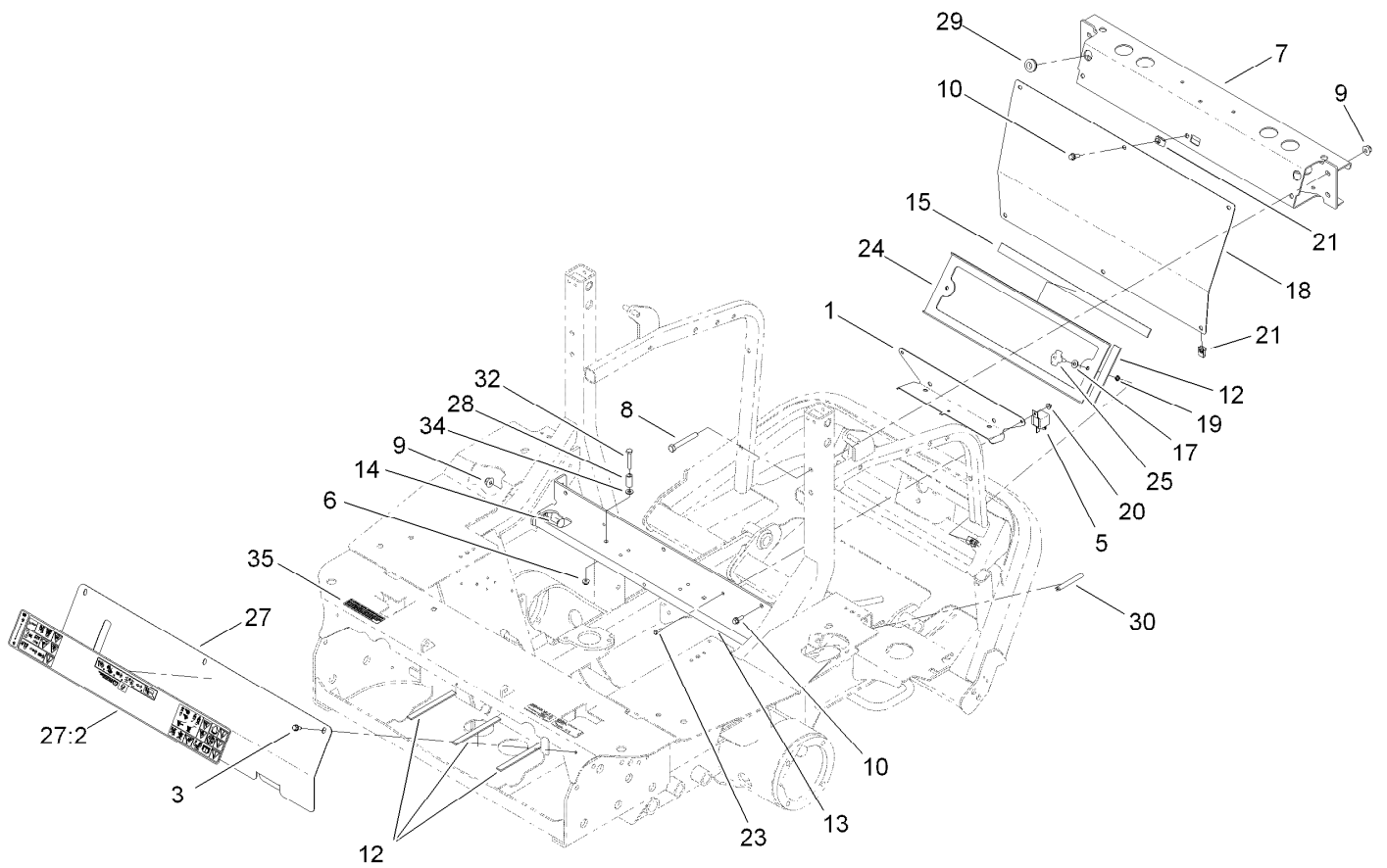
**TTH:** torx truss head

# Contents

Frame Assembly	5
Radiator Assembly	6
Control Panel Assembly	7
Transmission Assembly	8
Hydraulic Gear Pump Assembly No. 112-9542	9
Charge Pump Housing Assembly Transmission Assembly No. 120-9130	10
Center Section Assembly Transmission Assembly No. 120-9130	11
Gear Case and Clutch Assembly Transmission Assembly No. 120-9130	12
Traction Control Assembly	13
Engine Component Assembly	15
Air Cleaner Assembly No. 104-3428	17
Engine Component Assembly	18
Hydraulic Assembly	19
Parking Brake Assembly	20
Electrical Assembly	21
Hood Assembly	22
Fuel Tank Assembly	23
LH Fuel Tank Assembly No. 110-8230	24
RH Fuel Tank Assembly No. 110-8236	25
Seat Assembly	26
Seat Assembly No. 107-2286	27
Driveshaft Assembly	28
Driveshaft Assembly No. 110-3575	29
Rear Drive Assembly	30
Hydraulic Motor Assembly No. 108-5230	31
Hydraulic Motor Assembly No. 108-5155	32
LH Brake Caliper Assembly No. 120-0013	33
RH Brake Caliper Assembly No. 120-0014	34
Carrier Frame and Valve Assembly	35
Carrier Frame Kit Assembly No. 114-4087	37
Carrier Frame Assembly	38
Hydraulic Cylinder Assembly No. 110-9834	39
Hydraulic Valve Assembly No. 117-9235	40
Caster Fork Assembly	41
Caster Wheel Assembly No. 108-9954	42
Deck Linkage Assembly	43
Roll-Over Protection System and Rear Wheel Assembly	44
Deck Spindle, Belt and Pulley Assembly	45
Deck Decal Assembly No. 108-9901	46
Spindle Assembly No. 119-4778	47
High Spindle Assembly No. 117-9233	48
Double Spindle Assembly No. 117-9234	49
Roller and Baffle Assembly	50
Blade Assembly	51
Belt Cover, Gearbox and Baffle Assembly	52
Rubber Deflector Assembly No. 108-2792	53
Gearbox Assembly No. 117-9245-03	54
Adjustment Link and Bumper Assembly	55
Crankcase Assembly	56
Dipstick, Guide and Oil Pump Assembly	57
Cylinder Head Assembly	58
Cylinder Head Cover Assembly	59
Gear Case and Oil Filter Cartridge Assembly	60
Main Bearing Case Assembly	61

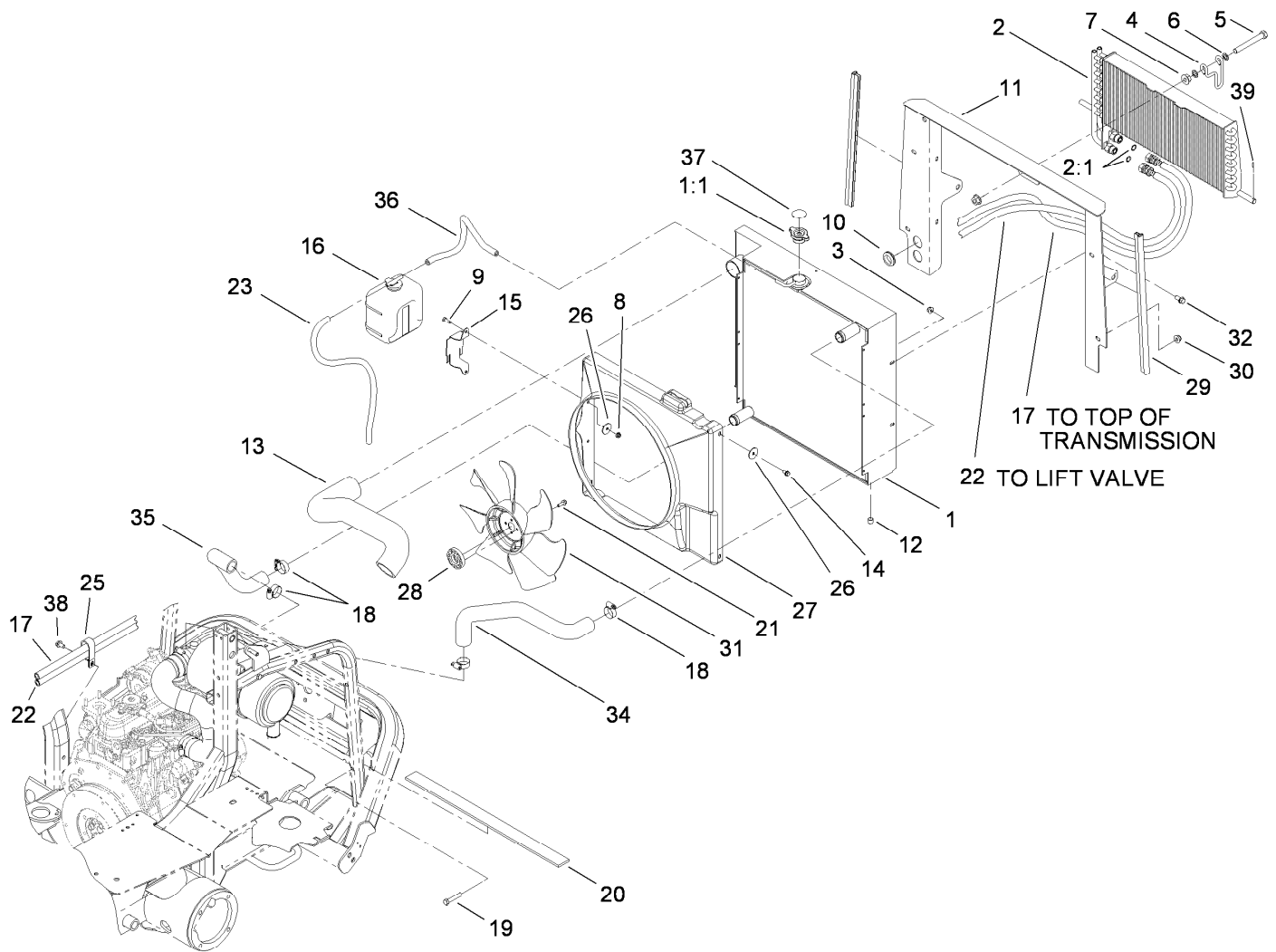
## Contents (continued)

Camshaft and Idle Gear Shaft Assembly .....	62
Piston and Crankshaft Assembly .....	63
Flywheel Assembly .....	64
Fuel Camshaft and Governor Shaft Assembly .....	65
Idle Apparatus and Stop Solenoid Assembly .....	66
Injection Pump Assembly .....	67
Governor Assembly .....	68
Speed Control Plate Assembly .....	69
Nozzle Holder and Glow Plug Assembly .....	70
Nozzle Holder Assembly .....	71
Alternator and Pulley Assembly .....	72
Alternator Components Assembly .....	73
Starter Components .....	74
Water Flange and Thermostat Assembly .....	75
Water Pump and Fuel Pump Cover Assembly .....	76
Inlet Manifold Assembly .....	77
Valve and Rocker Arm Assembly .....	78
Upper Gasket Kit .....	79
Lower Gasket Kit .....	80
Miscellaneous Engine Parts .....	81
Attachments and Accessories .....	82



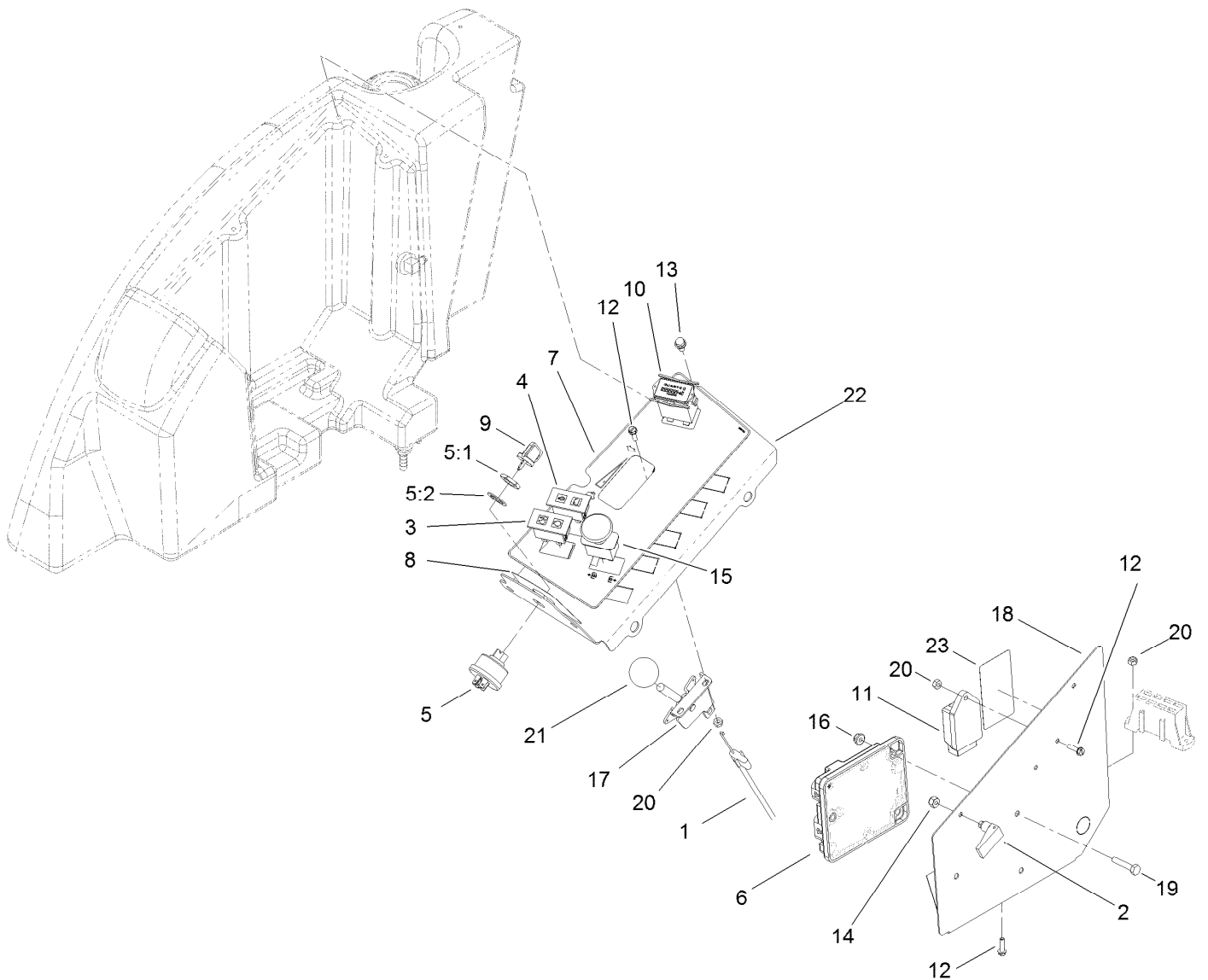
## Frame Assembly

<i>Ref.</i>	<i>Part Number</i>	<i>Qty.</i>	<i>Description</i>	<i>Ref.</i>	<i>Part Number</i>	<i>Qty.</i>	<i>Description</i>
1	114-4055-03	1	Bracket-Wire	19	32151-106	2	Ring-Retaining
3	32144-10	3	Screw-HWH	20	3290-148	2	Nut-HF
5	99-7435	1	Relay-Power	21	107069	8	Clip
6	104-7201	2	Nut-HF	23	3290-134	2	Screw
7	112-6361-03	1	Crossmember ASM	24	112-6384-03	1	Screen ASM
8	323-13	4	Screw-HH	25	98-8332	2	Knob
9	104-8301	8	Nut-Flange, NI	27	110-9794	1	Cover-Front
10	3234-4	6	Screw-HHF	27:2	110-9772	1	Decal-Safety
12	120-0017	5	Strip-Foam	28	95-5807	2	Spacer
13	105-7296-03	1	Support-Seat	29	237-124	2	Grommet
14	3231-2	4	Screw-CARR	30	110-8276	1	Trim-Hold Down, Battery
15	120-0019	2	Strip-Foam	32	321-10	2	Screw-HH
17	3256-22	2	Washer-Flat	34	3256-22	2	Washer-Flat
18	112-6367-03	1	Panel-Rear	35	117-2718	1	Decal-Arrester, Spark



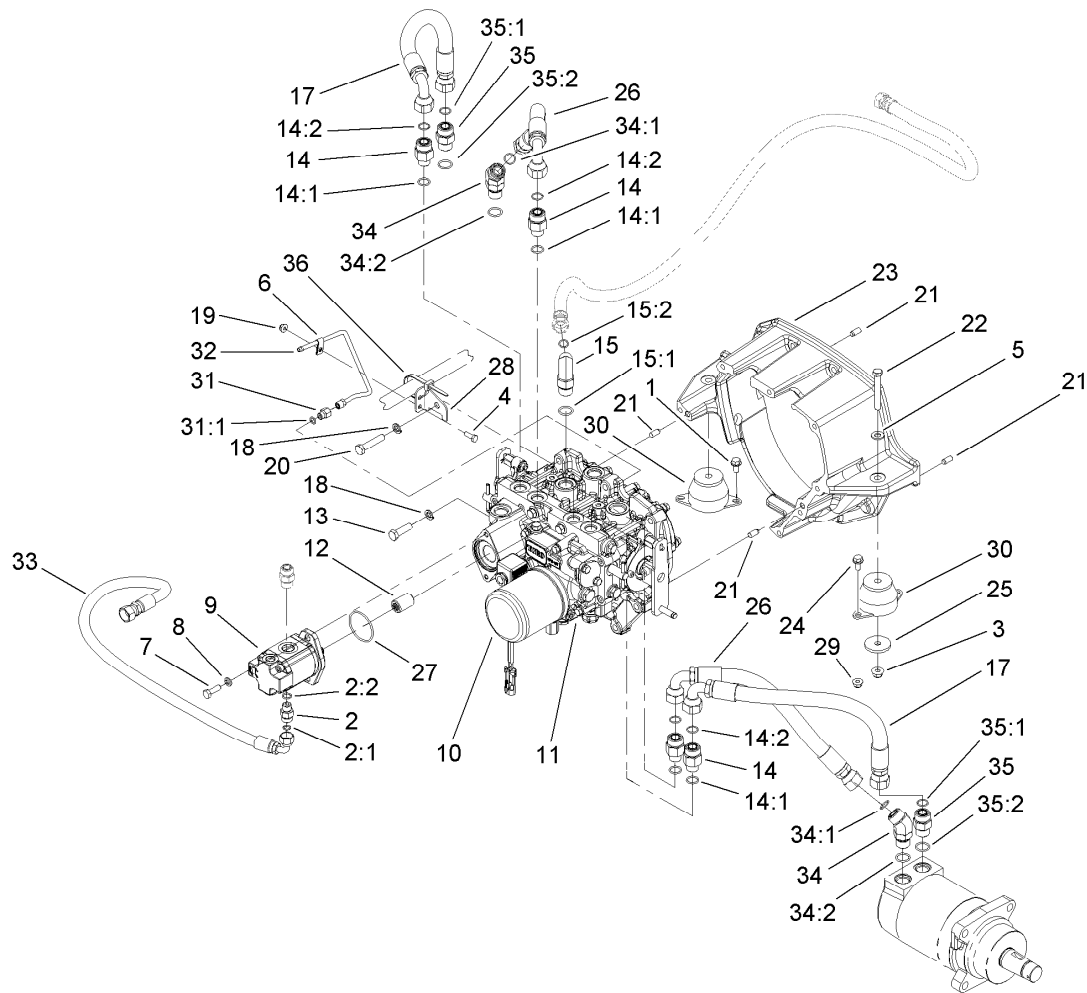
## Radiator Assembly

Ref.	Part Number	Qty.	Description	Ref.	Part Number	Qty.	Description
1	117-5135	1	Radiator	19	323-10	4	Screw-HH
1:1	117-5138	1	Cap-Radiator	20	108-9935	1	Strip-Foam
2	112-1684	1	Cooler-Oil	21	33103-020	4	Screw-HHF
2:1	237-30	2	O-Ring	22	110-5543	1	HYD Hose ASM
3	104-8300	4	Nut-Flange, NI	23	108-3284	1	Hose-Fuel
4	104-5429	1	Clamp-Form, Wire	25	2412-137	1	Clamp-R, Double
5	325-17	1	Screw-HH	26	3256-55	6	Washer-Flat
6	41-8440	2	Washer	27	117-9232	1	Shroud-Fan
7	32128-49	2	Nut-HHF	28	108-2872	1	Collar-Fan
8	104-7201	2	Nut-HF	29	107-2269	2	Seal-Bulb
9	321-4	2	Screw-HH	30	104-8301	4	Nut-Flange, NI
10	240-5	2	Grommet	31	104-4246	1	Fan-Engine
11	110-8277-03	1	Frame-Radiator	32	3234-5	4	Screw-HHF
12	99-8551	1	Plug-Pipe	34	105-7282	1	Hose-Radiator, Upper
13	105-7281	1	Hose-Air Inlet, Upper	35	105-7283	1	Hose-Radiator, Lower
14	32104-116	4	Screw-HF	36	109-0274	1	Hose-Fuel
15	108-9930-03	1	Bracket-Bottle	37	106-6755	1	Decal-Cap, Radiator
16	108-0638	1	Bottle-Overflow	38	32144-14	1	Screw-HWHTF
17	110-5542	1	HYD Hose ASM	39	32121-107	1	Pin-Roll, Slotted
18	2412-34	4	Clamp-Hose				



## Control Panel Assembly

<i>Ref.</i>	<i>Part Number</i>	<i>Qty.</i>	<i>Description</i>	<i>Ref.</i>	<i>Part Number</i>	<i>Qty.</i>	<i>Description</i>
1	110-5548	1	Cable-Throttle	12	32105-13	5	Screw-HWH
2	74-5950	2	Latch-Swell	13	3234-13	5	Screw-HHF
3	100-8071	1	Lamp-Warning	14	1-804254	2	Nut-Lock, HH
4	100-8070	1	Lamp-Warning	15	93-9999	1	Switch-PTO
5	104-2541	1	Switch ASM	16	104-7201	3	Nut-HF
5:1	218-461	1	Nut-HH	17	110-5547	1	Control Lever ASM
5:2	3254-5	1	Washer-Tooth, Internal	18	110-8257-03	1	Cover-Panel, Control
6	106-9277	1	Module-Control, Standard	19	321-13	3	Screw-HH
7	110-8253	1	Decal-Panel, Control	20	3296-2	5	Nut-Lock, NI
8	110-8254	1	Decal-Start, Control Panel	21	233-42	1	Knob
9	63-8360	2	Key-Ignition	22	110-8256-03	1	Panel-Control
10	1-513374	1	Meter-Hour	23	110-9796	1	Decal-Block, Fuse
11	107-9097	1	Controller-Glow				

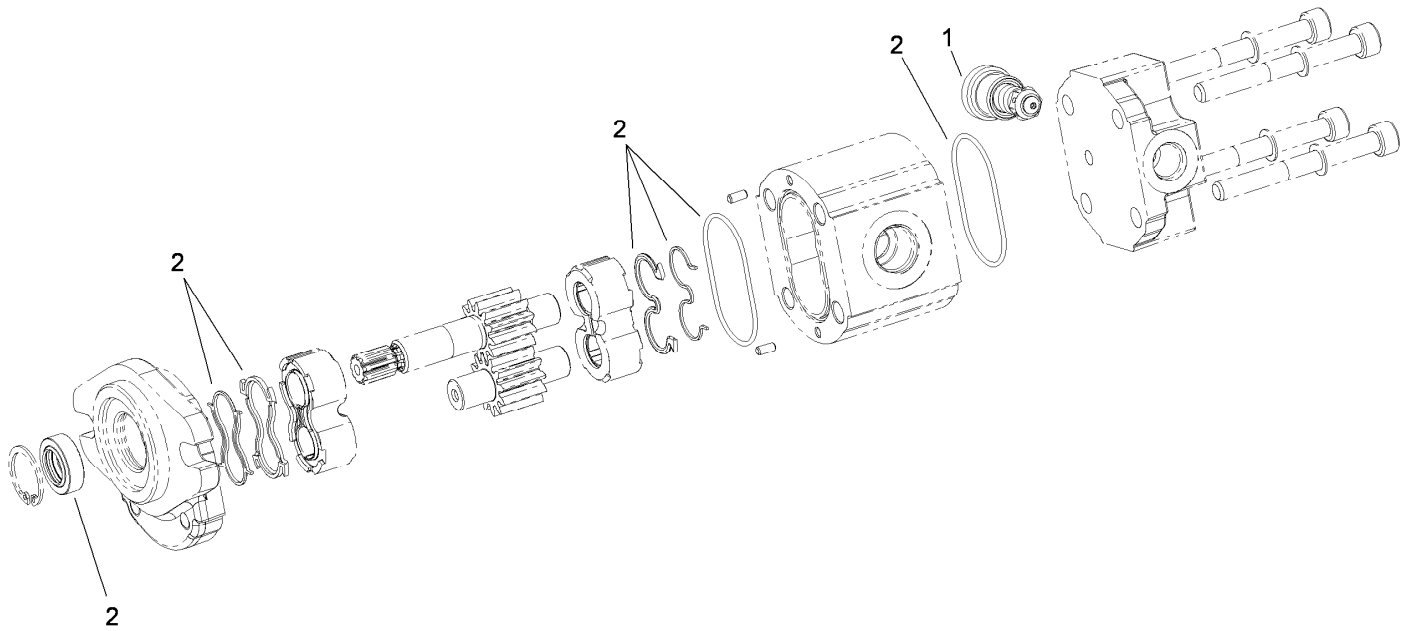


## Transmission Assembly

Ref.	Part Number	Qty.	Description
1	32144-14	2	Screw-HWHTF
2	340-2	1	Fitting-HYD, Straight
2:1	237-22	1	O-Ring
2:2	237-42	1	O-Ring
3	104-8301	2	Nut-Flange, NI
4	321-4	1	Screw-HH
5	3256-24	2	Washer-Flat
6	2412-72	1	Clip-Closed, Insulated
7	33114-025	2	Screw-HH
8	3253-4	2	Washer-Lock
9	112-9542	1	Gear Pump ASM
10	108-5194	1	Filter-Oil, HYD
11	120-9130	1	Transmission ASM
12	108-9920	1	Coupler-Spline, 9T
13	33115-035	1	Screw-HH
14	340-155	4	Fitting-HYD, Straight
14:1	237-79	1	O-Ring
14:2	237-151	1	O-Ring
15	340-105	1	Fitting-HYD, 90 DEG
15:1	237-80	1	O-Ring
15:2	237-30	1	O-Ring
17	112-1683	2	Hose ASM
18	48-9590	7	Washer-Lock

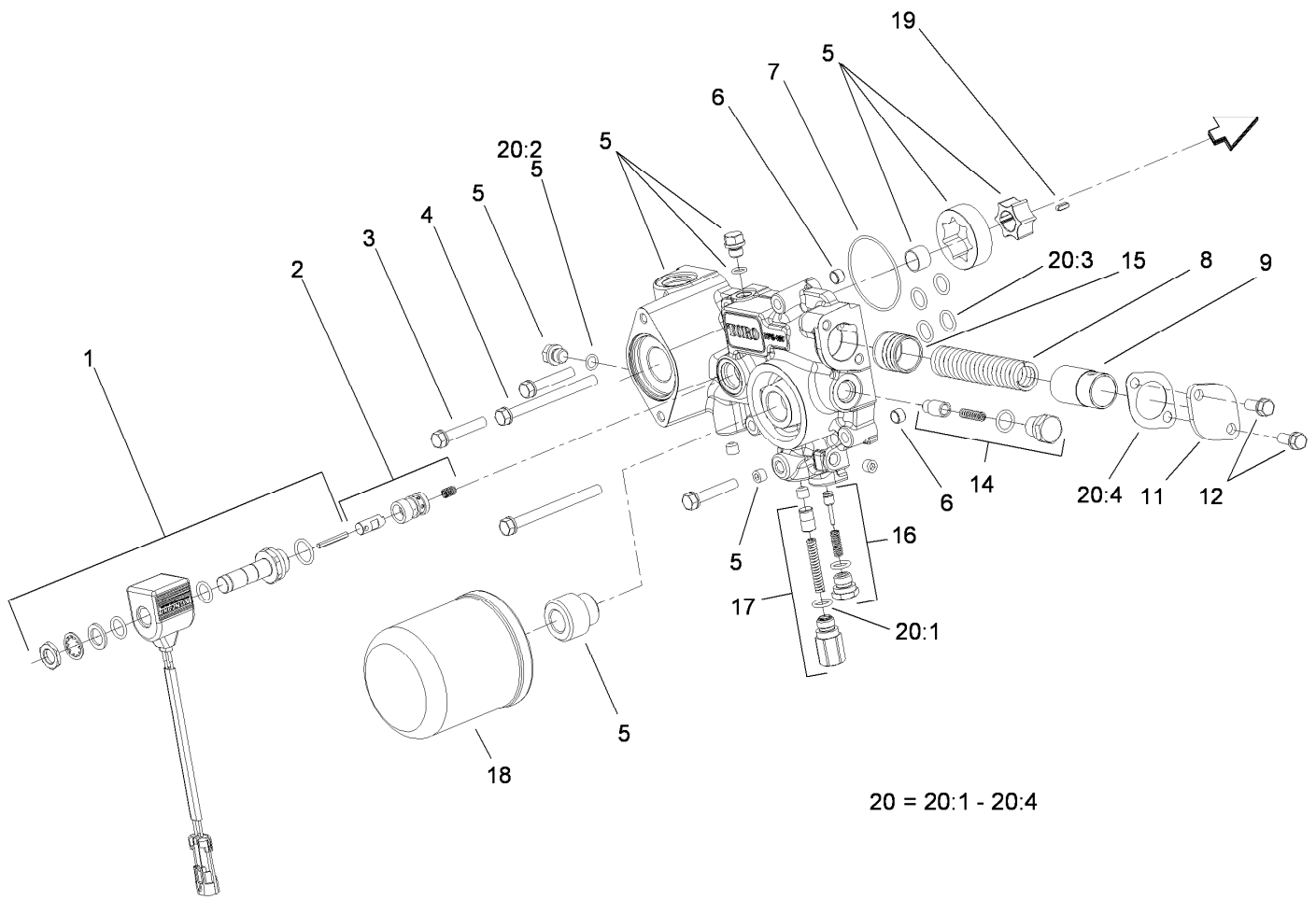
Ref.	Part Number	Qty.	Description
19	104-7201	1	Nut-HF
20	33115-050	6	Screw-HH
21	87-1910	4	Pin-Dowel
22	323-13	2	Screw-HH
23	108-5193	1	Housing-Flywheel
24	3234-17	2	Screw-HHF
25	80-8560	2	Washer-Hardened
26	110-5518	2	Hose ASM
27	108-9919	1	O-Ring
28	120-0239	1	Support-Tube
29	104-8300	2	Nut-Flange, NI
30	107-2289	2	Mount-Motor
31	110-5536	1	Fitting-HYD, Adapter
31:1	237-78	1	O-Ring
32	110-5537	1	Tube ASM
33	94-5961	1	Hose ASM
34	340-14	2	Fitting-HYD, 45 DEG
34:1	237-65	1	O-Ring
34:2	237-80	1	O-Ring
35	340-7	2	Adapter
35:1	237-65	1	O-Ring
35:2	237-80	1	O-Ring
36	3290-378	1	Tie-Cable





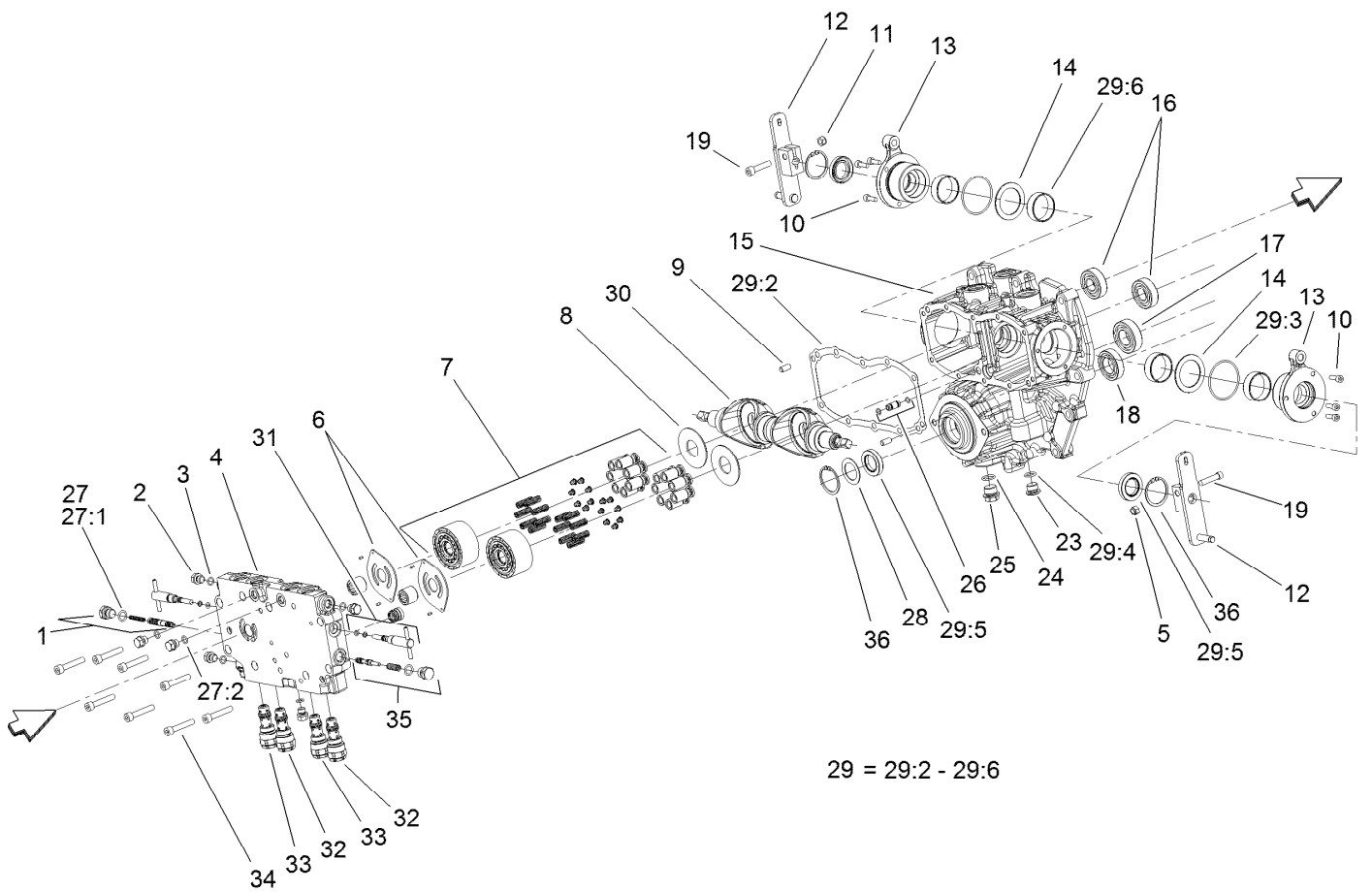
## Hydraulic Gear Pump Assembly No. 112-9542

<i>Ref.</i>	<i>Part Number</i>	<i>Qty.</i>	<i>Description</i>
1	112-0198	1	Valve
2	112-0199	1	Seal Kit



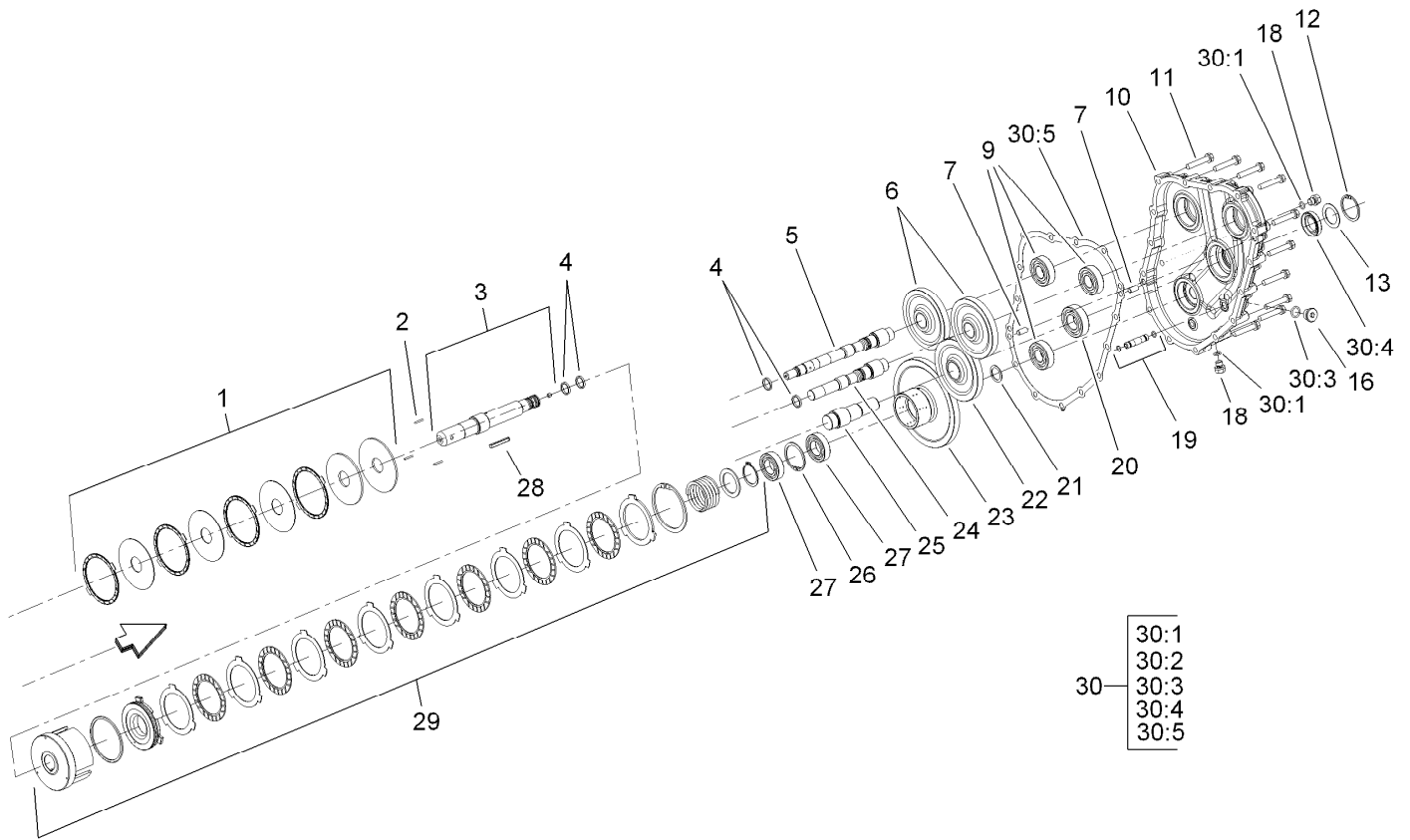
## Charge Pump Housing Assembly Transmission Assembly No. 120-9130

<i>Ref.</i>	<i>Part Number</i>	<i>Qty.</i>	<i>Description</i>	<i>Ref.</i>	<i>Part Number</i>	<i>Qty.</i>	<i>Description</i>
1	107-0851	1	Solenoid ASM	14	107-0843	1	Filter Bypass Valve ASM
2	107-0850	1	Solenoid Valve ASM	15	107-0818	1	Piston
3	107-0863	3	Bolt	16	107-0842	1	Charge Relief Valve ASM
4	107-0864	2	Bolt	17	107-0841	1	Pressure Valve ASM
5	107-0840	1	Pump Body ASM	18	108-5194	1	Filter-Oil, HYD
6	107-0848	2	Pin	19	107-0865	1	Key
7	107-0856	1	O-Ring	20	107-0855	1	Charge Pump Seal Kit
8	107-0845	1	Spring	20:1	93-0418	2	O-Ring
9	107-0844	1	Collar	20:2	107-0817	2	O Ring-Plug
11	107-0846	1	Cover	20:3	104-3298	6	Packing
12	93-0457	2	Bolt And Washer ASM	20:4	107-0847	1	Gasket



## Center Section Assembly Transmission Assembly No. 120-9130

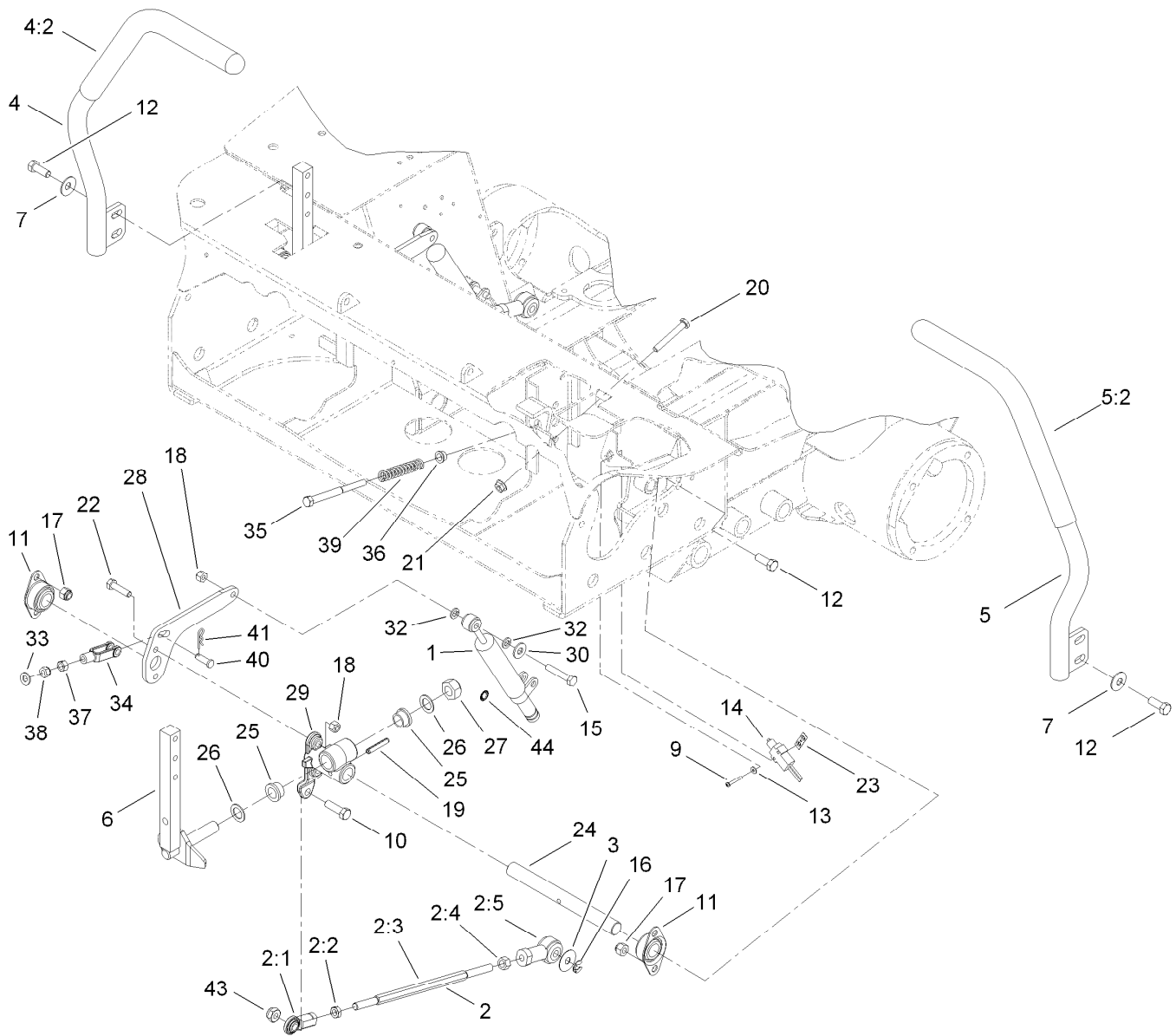
<i>Ref.</i>	<i>Part Number</i>	<i>Qty.</i>	<i>Description</i>	<i>Ref.</i>	<i>Part Number</i>	<i>Qty.</i>	<i>Description</i>
1	107-0807	1	Valve-Flushing, RH	24	107-0862	1	O-Ring
2	107-0857	6	Plug	25	107-0867	1	Plug
3	107-0817	6	O Ring-Plug	26	107-0812	1	Pipe
4	107-0802	1	Case-Center	27	107-0852	1	Center Case Seal Kit
5	107-0858	1	U-Nut	27:1	93-0418	2	O-Ring
6	107-0805	2	Plate-Valve	27:2	107-0817	6	O Ring-Plug
7	107-0824	2	Cylinder Block ASM	28	107-0813	1	Spacer
8	107-0830	2	Plate-Thrust	29	107-0853	1	Pump Housing Seal Kit
9	92-0765	4	Pin-Parallel	29:2	107-0810	1	Gasket-Case, Center
10	107-0859	6	Bolt	29:3	107-0817	2	O Ring-Plug
11	120-6681	2	U-Nut	29:4	104-3298	1	Packing
12	120-6680	2	Arm-Control	29:5	107-0814	3	Seal
13	107-0832	2	Side Cover ASM	29:6	107-0825	4	Ring-Seal
14	107-0829	2	Washer	30	120-6679	2	Plate-Swash
15	120-5151	1	Pump Housing ASM	31	107-0808	2	Valve-Bypass
16	107-0826	2	Bearing	32	107-0804	2	Valve-Rear
17	107-0821	1	Bearing	33	107-0803	2	Valve-Front
18	107-0838	1	Bearing	34	107-0863	8	Bolt
19	120-6682	2	Bolt (10 X 40)	35	107-0806	1	Valve-Flushing, LH
23	107-0861	1	Plug-NPTF	36	92-0757	2	Ring-Snap



## Gear Case and Clutch Assembly Transmission Assembly No. 120-9130

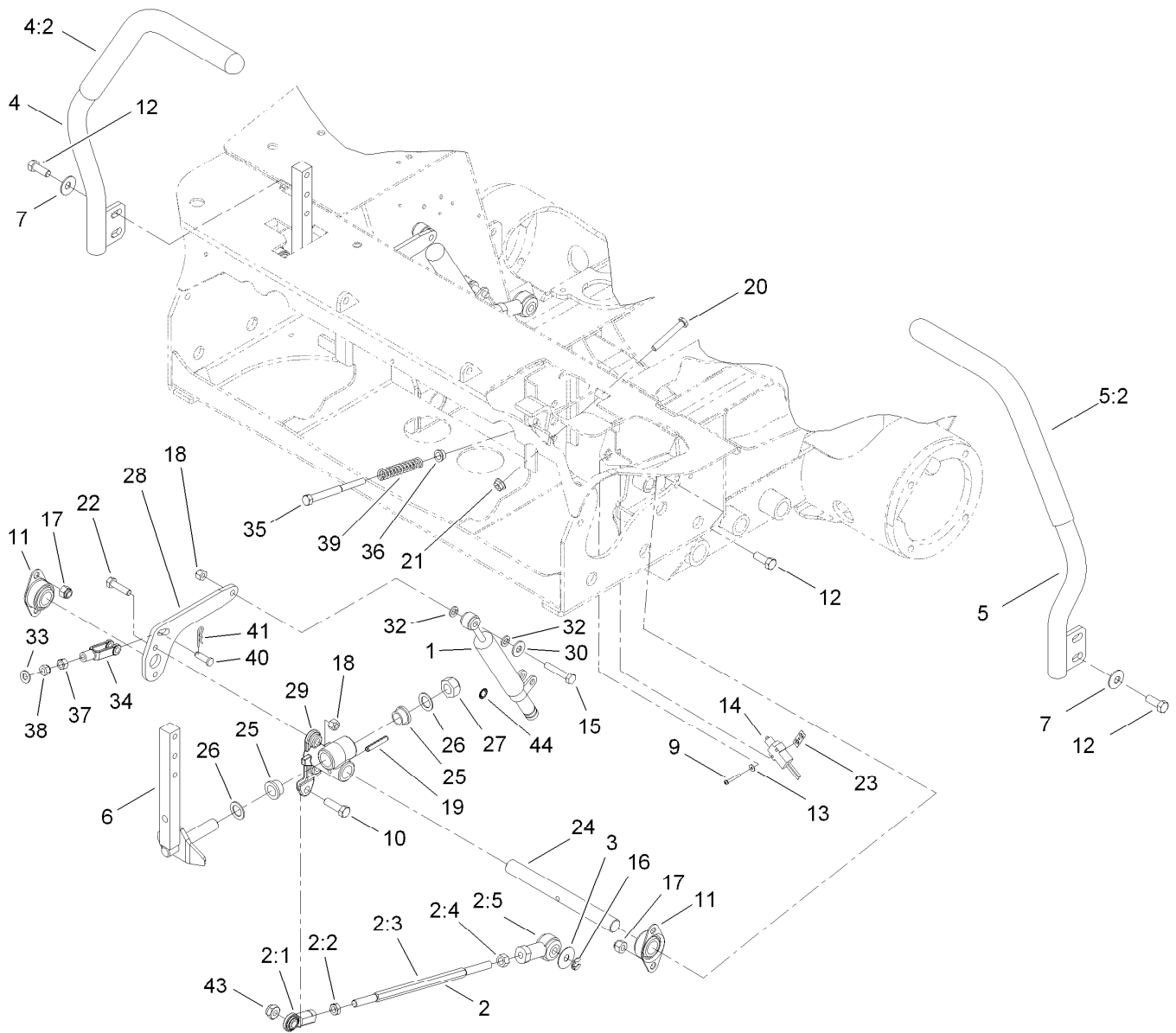
<i>Ref.</i>	<i>Part Number</i>	<i>Qty.</i>	<i>Description</i>	<i>Ref.</i>	<i>Part Number</i>	<i>Qty.</i>	<i>Description</i>
1	107-0839	1	PTO Brake ASM	21	107-0836	1	Spacer
2	107-0837	3	Rod-Push	22	107-0820	1	Gear-Input
3	107-0833	1	PTO Shaft ASM	23	107-0834	1	Gear-PTO
4	107-0825	2	Ring-Seal	24	107-0822	1	Shaft-Pump
5	107-0827	1	Shaft-Pump	25	107-0819	1	Shaft-Input
6	107-0823	2	Gear-Pump	26	92-0758	1	Ring-Snap
7	92-0765	4	Pin-Parallel	27	107-0838	3	Bearing
9	107-0826	4	Bearing	28	107-0866	1	Key
10	120-5152	1	Housing-Gear Case	29	107-0835	1	Clutch Cylinder ASM
11	107-0863	13	Bolt	30	107-0854	1	Gear Housing Seal Kit
12	92-0757	1	Ring-Snap	30:1	107-0817	2	O Ring-Plug
13	107-0813	1	Spacer	30:2		2	Ring-Retaining ●
16	107-0861	1	Plug-NPTF	30:3	104-3298	1	Packing
18	107-0857	6	Plug	30:4	107-0814	1	Seal
19	107-0811	1	Pipe	30:5	107-0816	1	Gasket-Housing, Gear
20	107-0821	2	Bearing				

● Not serviced separately



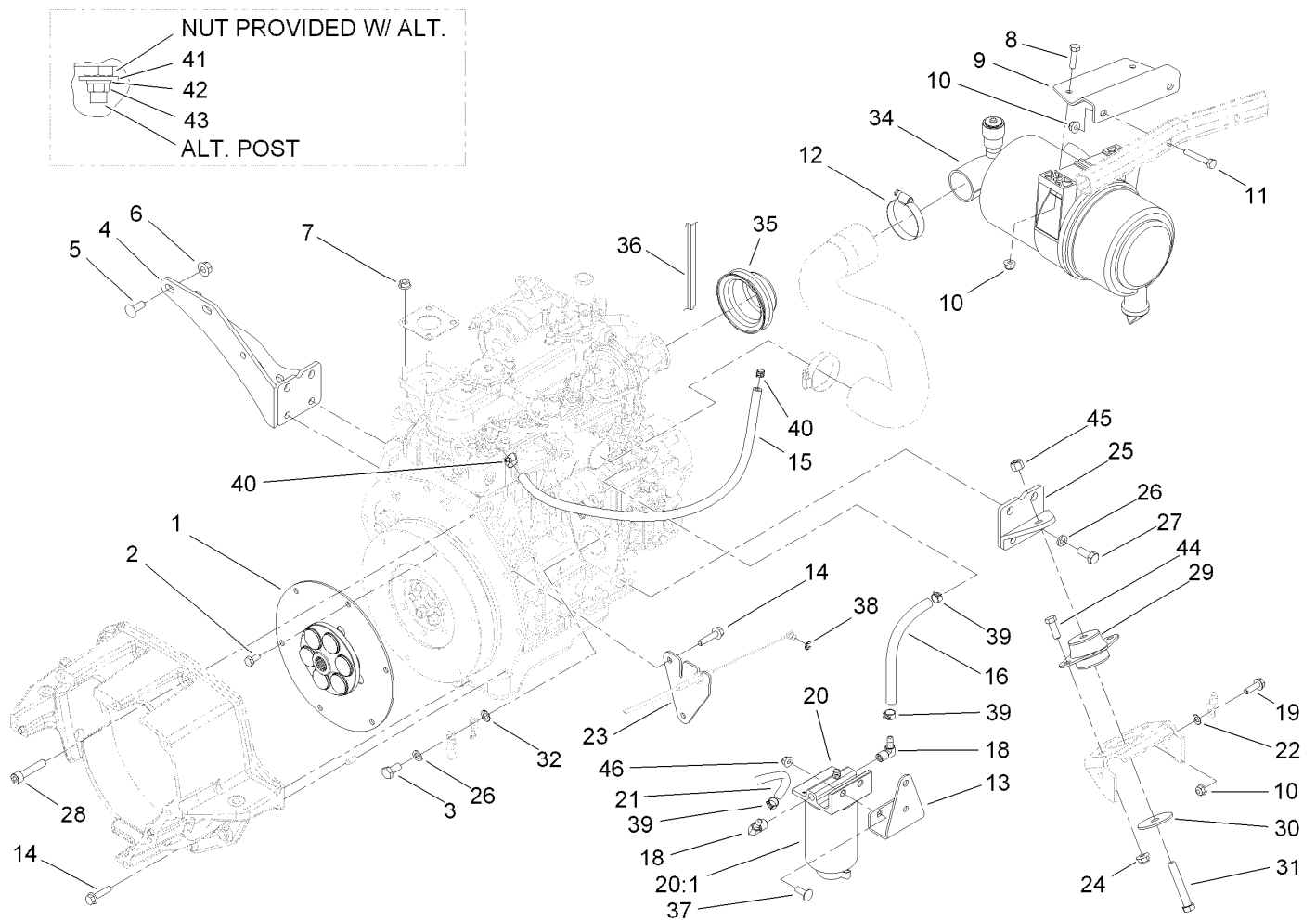
## Traction Control Assembly

Ref.	Part Number	Qty.	Description	Ref.	Part Number	Qty.	Description
1	105-7280	2	Damper	16	32151-47	2	Ring-Retaining
2	112-5099	2	Link ASM	17	3296-39	8	Nut-Lock, NI
2:1	103-1167	1	Joint-Ball End, LH	18	3296-29	6	Nut-Lock, NI
2:2	3219-20	1	Nut-Hex, LH	19	32121-15	2	Pin-Roll
2:3	105-7239	1	Rod-Threaded	20	9114524	2	Bolt-TAP, HH
2:4	3219-3	1	Nut-Hex	21	32128-26	2	Nut-Flange
2:5	105-7199	1	Rod End-Isolated	22	322-6	4	Screw-HH
3	105-6814	2	Washer-Plain	23	108-9824	2	Nut-Switch
4	108-5208	1	RH Lever And Grip ASM	24	108-9830	2	Shaft-Pivot
4:2	108-5213	1	Grip-Foam	25	105-3455	4	Bushing
5	108-5209	1	LH Lever And Grip ASM	26	105-3481	4	Washer-Thrust
5:2	108-5213	1	Grip-Foam	27	32152-6	2	Nut-Lock, Cone
6	108-9833-03	2	Lever ASM	28	108-9829-03	2	Lever-Damper
7	3290-461	4	Washer-Spring	29	108-9831	2	Hub-Control
9	3250-35	4	Screw-PPH	30	3256-3	2	Washer-Flat
10	323-7	2	Screw-HH	32	3253-4	4	Washer-Lock
11	1-633102	4	Bearing-Flange, Side	33	3256-23	2	Washer-Flat
12	323-6	12	Screw-HH	34	1-303105	2	Yoke-Adjustable
13	3256-53	4	Washer-Flat	35	1-603737	2	Bolt-Return, Neutral
14	99-3410	2	Switch	36	1-603735	2	Bushing-Flanged
15	322-9	2	Screw-HH	37	3219-2	2	Nut-Hex



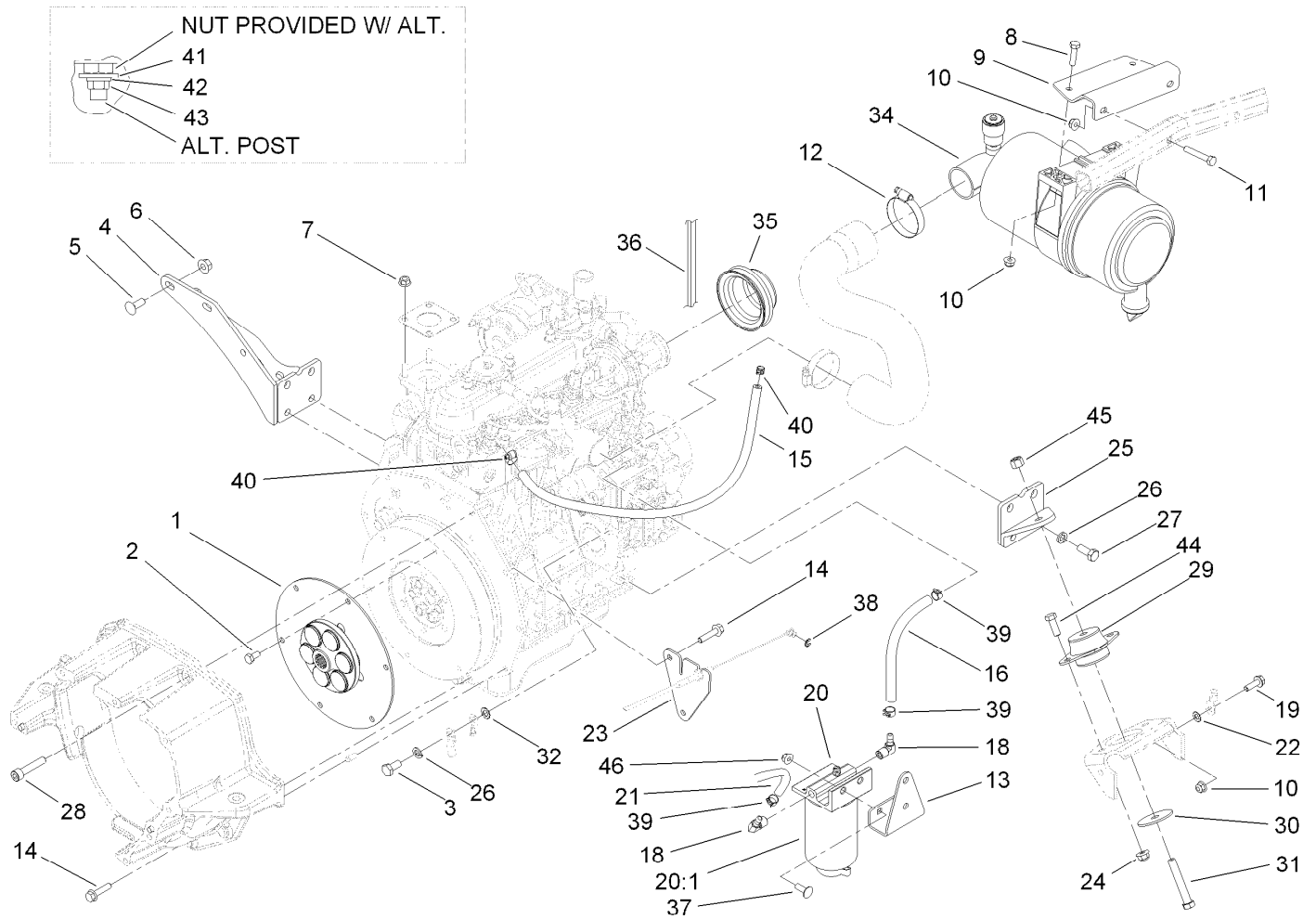
## Traction Control Assembly (continued)

<i>Ref.</i>	<i>Part Number</i>	<i>Qty.</i>	<i>Description</i>	<i>Ref.</i>	<i>Part Number</i>	<i>Qty.</i>	<i>Description</i>
38	3296-4	2	Nut-Lock	41	3290-307	2	Pin-Hair
39	1-603807	2	Spring-Return, Neutral	43	3296-44	2	Nut-Lock, NI
40	283-1	2	Pin-Clevis	44	32151-72	2	Ring-Retaining



## Engine Component Assembly

Ref.	Part Number	Qty.	Description	Ref.	Part Number	Qty.	Description
1	110-9729	1	Flywheel Coupling ASM	22	3255-8	1	Washer-Lock
2	33114-016	6	Screw-HH	23	114-4060	1	Bracket-Throttle
3	63-7790	1	Screw-Cap	24	104-8301	4	Nut-Flange, NI
4	108-9926-03	1	Muffler Bracket ASM	25	105-7235-03	1	LH Rear Mount ASM
5	3231-22	2	Screw-CARR	26	48-9590	9	Washer-Lock
6	32128-29	2	Nut-Lock, Flange	27	43-0090	8	Screw-HH
7	33004-00	4	Nut-HF	28	3274-106	2	Screw-HSH
8	322-6	2	Screw-HH	29	53-9681	2	Mount-Engine
9	108-9843-03	1	Support-Cleaner, Air	30	87-5100	2	Washer-Snubbing
10	104-8300	5	Nut-Flange, NI	31	324-11	2	Screw-HH
11	322-10	2	Screw-HH	32	3255-9	1	Washer-Lock
12	2412-130	1	Clamp-Hose	34	104-3428	1	Air Cleaner ASM
13	114-4058-03	1	Mount-Separator	35	98-9584	1	Pulley-Fan
14	33104-035	8	Screw-HHF	36	98-9676	1	V-Belt
15	110-8255	1	Hose-Fuel	37	3230-10	2	Screw-CARR
16	110-4104	1	Hose-Fuel	38	701197	1	E-Ring
18	353-781	2	Fitting-Elbow	39	92-2379	3	Clamp-Hose
19	3234-17	1	Screw-HHF	40	2412-80	2	Clamp-Hose
20	110-9044	1	Filter-Separator	41	3256-2	1	Washer-Flat
20:1	110-9049	1	Filter-Spin On	42	43-5930	1	Washer-Lock, Spring
21	114-4028	1	Hose-Fuel	43	33013-00	1	Nut-Hex

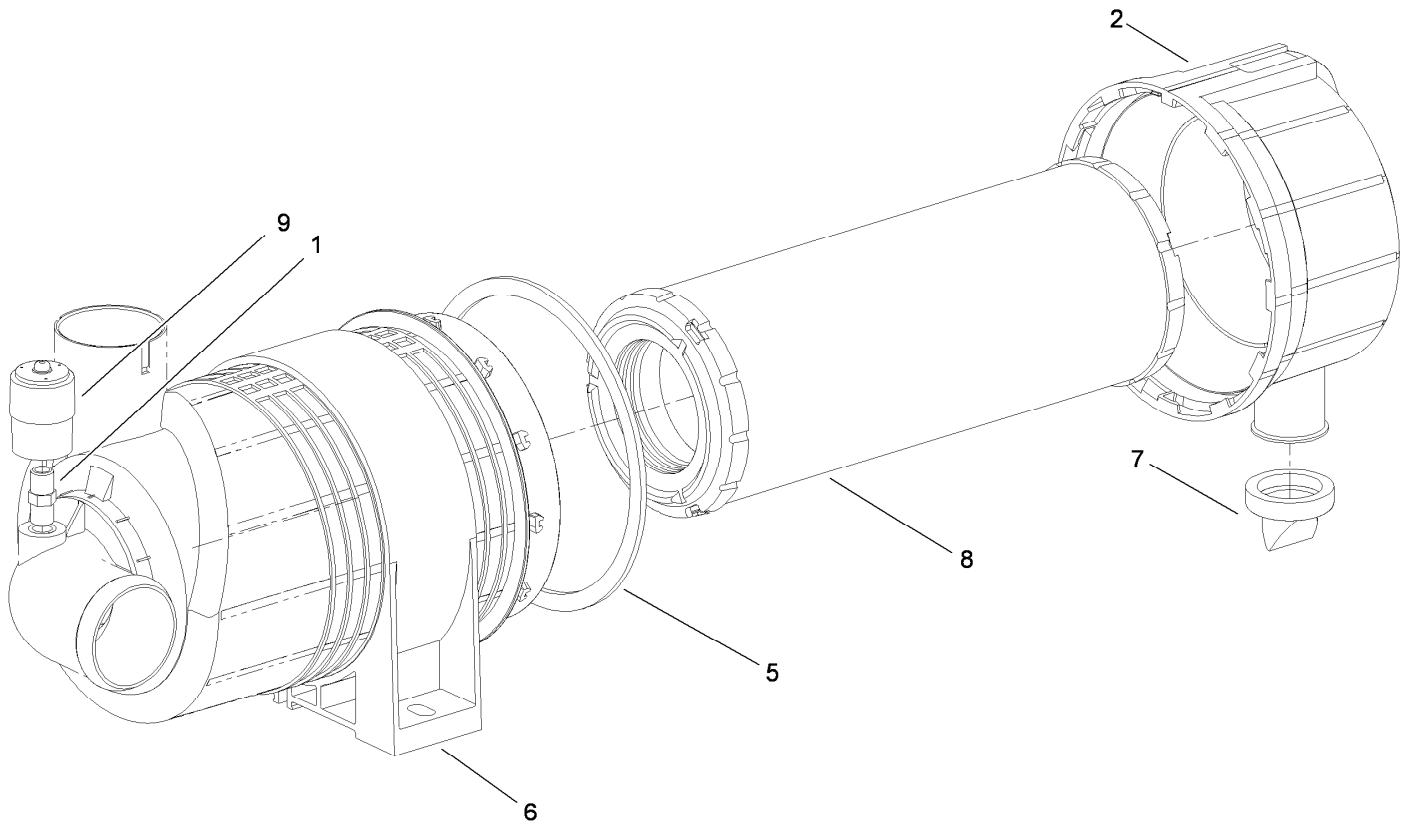


## Engine Component Assembly (continued)

Ref.	Part Number	Qty.	Description
44	323-6	4	Screw-HH

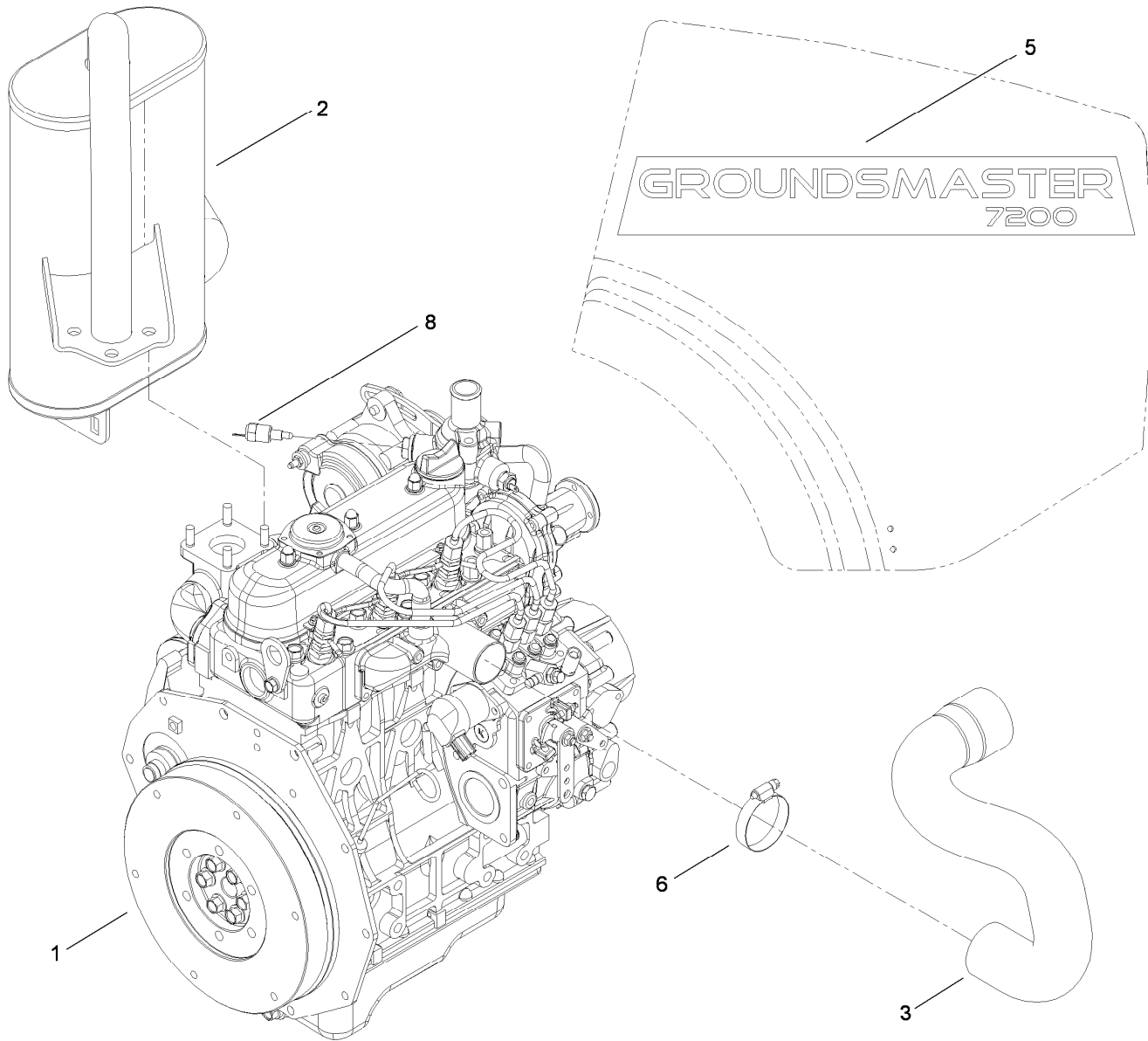
Ref.	Part Number	Qty.	Description
45	3296-48	2	Nut-Lock, NI
46	32128-44	2	Nut





## Air Cleaner Assembly No. 104-3428

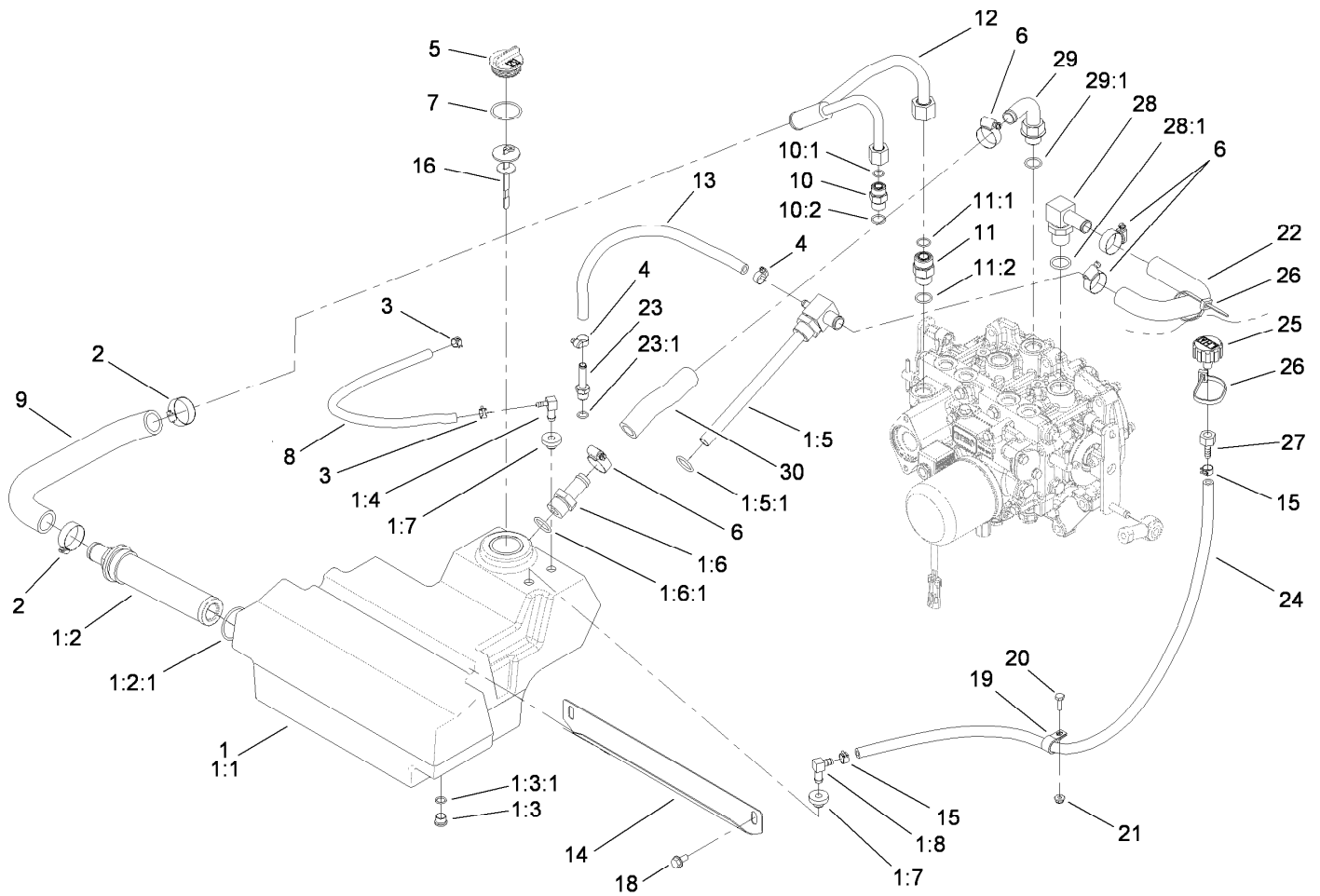
<i>Ref.</i>	<i>Part Number</i>	<i>Qty.</i>	<i>Description</i>
1	105-4292	1	Nipple-Pipe
2	104-0497	1	Cover ASM
5	104-4897	1	Gasket
6	98-4525	1	Bracket-Cleaner, Air
7	104-0498	1	Valve-Vacuator
8	108-3810	1	Filter-Air
9	93-9164	1	Indicator-Mini



## Engine Component Assembly

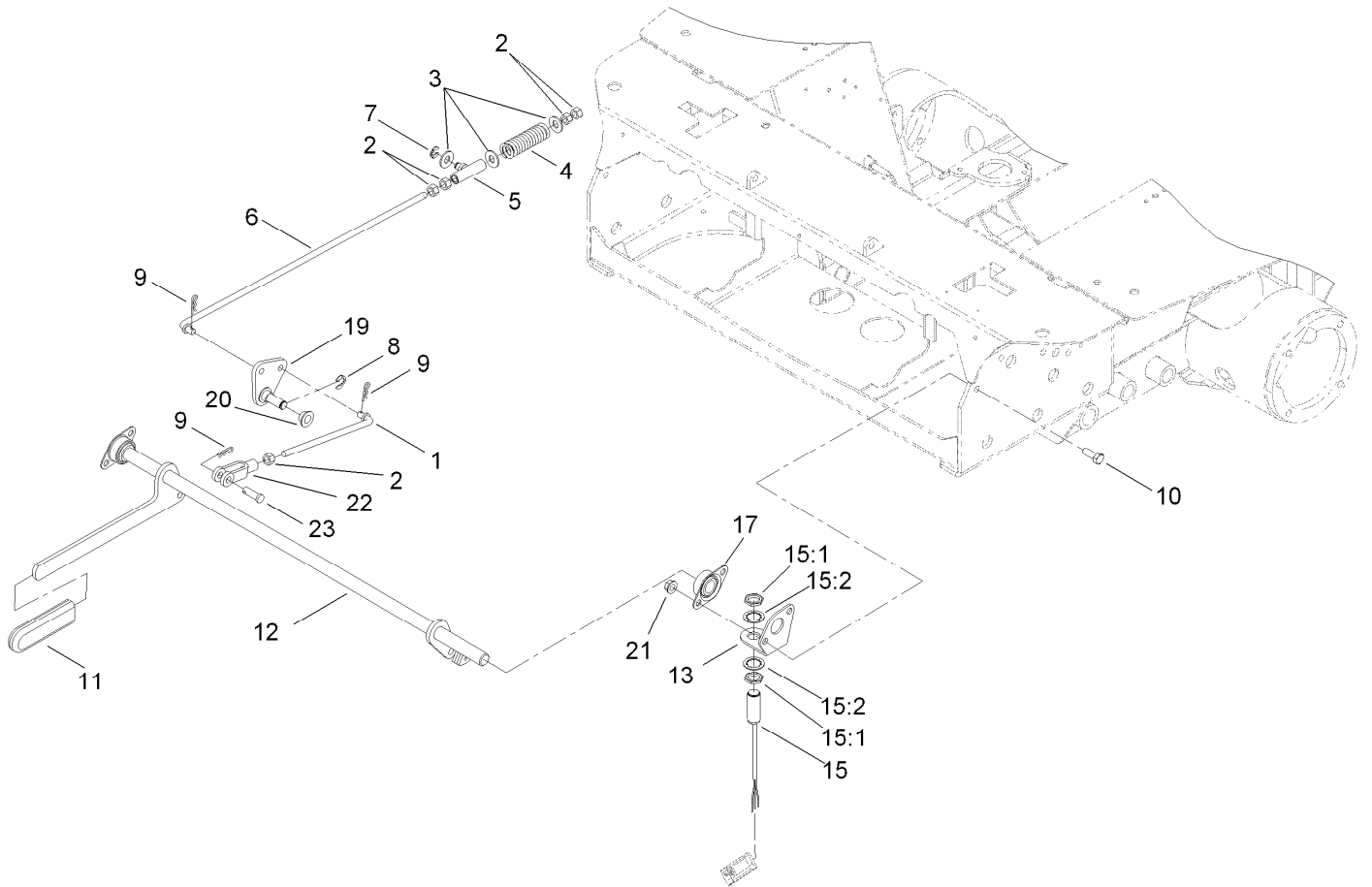
<i>Ref.</i>	<i>Part Number</i>	<i>Qty.</i>	<i>Description</i>
1	114-5093	1	Engine-Kubota
2	105-7230	1	Muffler
2:1	112-1688	1	Spark Arrestor Kit ●
3	105-7236	1	Hose-Inlet, Air
5	110-5544	2	Decal-Hood
6	2412-130	1	Clamp-Hose
8	98-9719	1	Thermoswitch

● Not illustrated



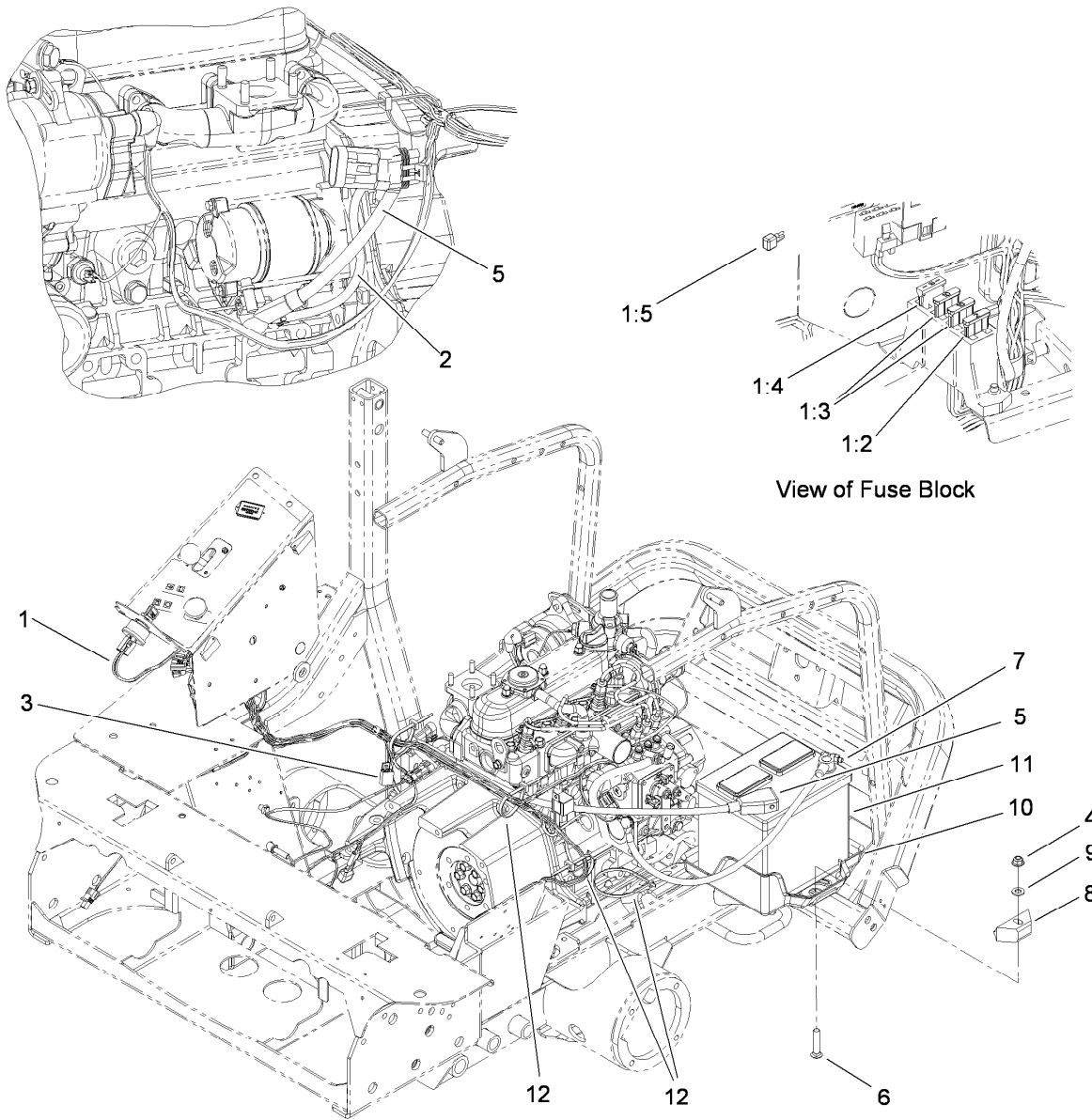
## Hydraulic Assembly

Ref.	Part Number	Qty.	Description	Ref.	Part Number	Qty.	Description
1	110-8237	1	Hydraulic Reservoir ASM	11:1	237-65	1	O-Ring
1:1	108-5200	1	Reservoir-Hydraulic	11:2	237-80	1	O-Ring
1:2	104-7546	1	Strainer-Tank	12	110-5532	1	Tube ASM
1:2:1	340-136	1	O-Ring	13	94-5625	1	Hose-Overflow, Radiator
1:3	353-989	1	Plug-Hex, Hollow	14	110-5529-03	1	Support-Reservoir
1:3:1	237-42	1	O-Ring	15	92-2379	2	Clamp-Hose
1:4	104-5228	1	Fitting-Elbow, 90 DEG	16	112-6365	1	Dipstick ASM
1:5	108-9894	1	Fitting-Elbow, Special	18	32144-14	2	Screw-HWHTF
1:5:1	237-81	1	O-Ring	19	2412-87	1	Clamp-Cable
1:6	354-73	1	Fitting-Straight	20	321-4	1	Screw-HH
1:6:1	237-81	1	O-Ring	21	104-7201	1	Nut-HF
1:7	46-6560	2	Bushing	22	110-5524	1	Hose-Return
1:8	46-6550	1	Fitting-Elbow, 90 DEG	23	353-979	1	Fitting-Straight
2	2412-34	2	Clamp-Hose	23:1	237-42	1	O-Ring
3	2412-98	2	Clamp-Hose	24	110-9662	1	Hose-Fuel
4	2412-108	2	Clamp-Worm	25	68-6150	1	Breather
5	93-7498	1	Plug-Plastic	26	3290-379	2	Tie-Cable
6	2412-129	4	Clamp-Hose	27	354-95	1	Fitting-Straight
7	94-8166	1	O-Ring	28	353-987	1	Fitting-HYD, 90 DEG (Barbed)
8	109-0299	1	Hose-Fuel	28:1	237-81	1	O-Ring
9	110-5526	1	Hose-Suction	29	110-5522	1	Fitting-Elbow, 90
10	340-4	1	Fitting-HYD, Straight	29:1	237-80	1	O-Ring
10:1	237-30	1	O-Ring	30	112-1680	1	Hose-HYD
10:2	237-79	1	O-Ring				
11	340-7	1	Adapter				



## Parking Brake Assembly

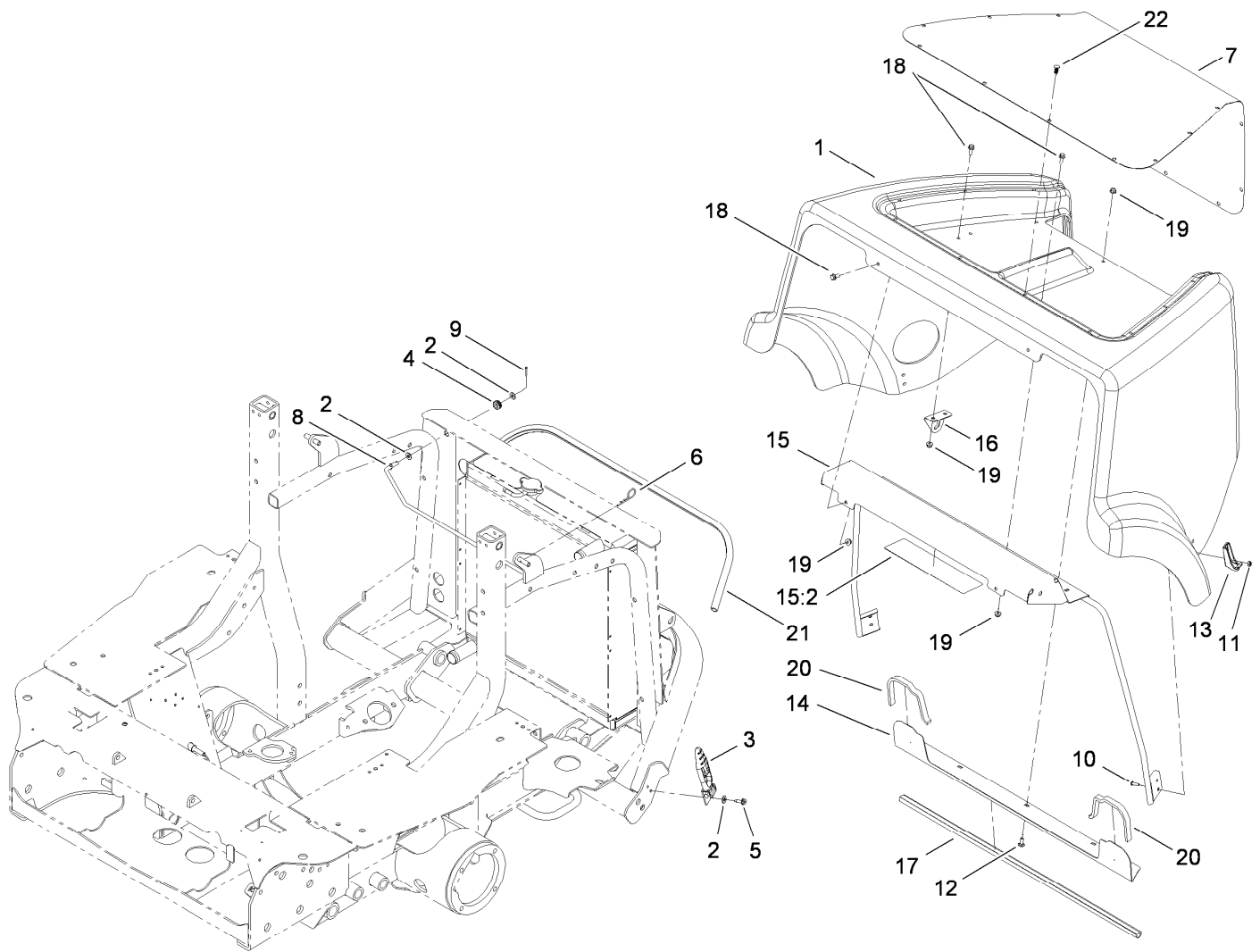
Ref.	Part Number	Qty.	Description	Ref.	Part Number	Qty.	Description
1	120-0023	2	Rod-Brake	12	117-5582-03	1	Brake Handle ASM
2	3219-3	10	Nut-Hex	13	117-5572	1	Bracket-Switch
3	3256-4	6	Washer-Flat	15	115-5300	1	Proximity Switch ASM
4	109-2230	2	Spring-Compression	15:1	117-3207	2	Nut-Hex
5	112-1676	2	Swivel ASM	15:2	117-3208	2	Washer-Lock, Int Tooth
6	120-0009	2	Rod-Brake	17	1-633102	2	Bearing-Flange, Side
7	32151-47	2	Ring-Retaining	19	120-0022	2	Brake Pivot ASM
8	32151-68	2	Ring-Retaining	20	1-513140	4	Bearing-Control
9	3290-307	6	Pin-Hair	21	3290-357	4	Nut-HHF, Whiz
10	323-6	4	Screw-HH	22	1-633131	2	Yoke-Linkage, Brake
11	1-633268	1	Grip-Lever	23	1-808285	2	Pin-Clevis



## Electrical Assembly

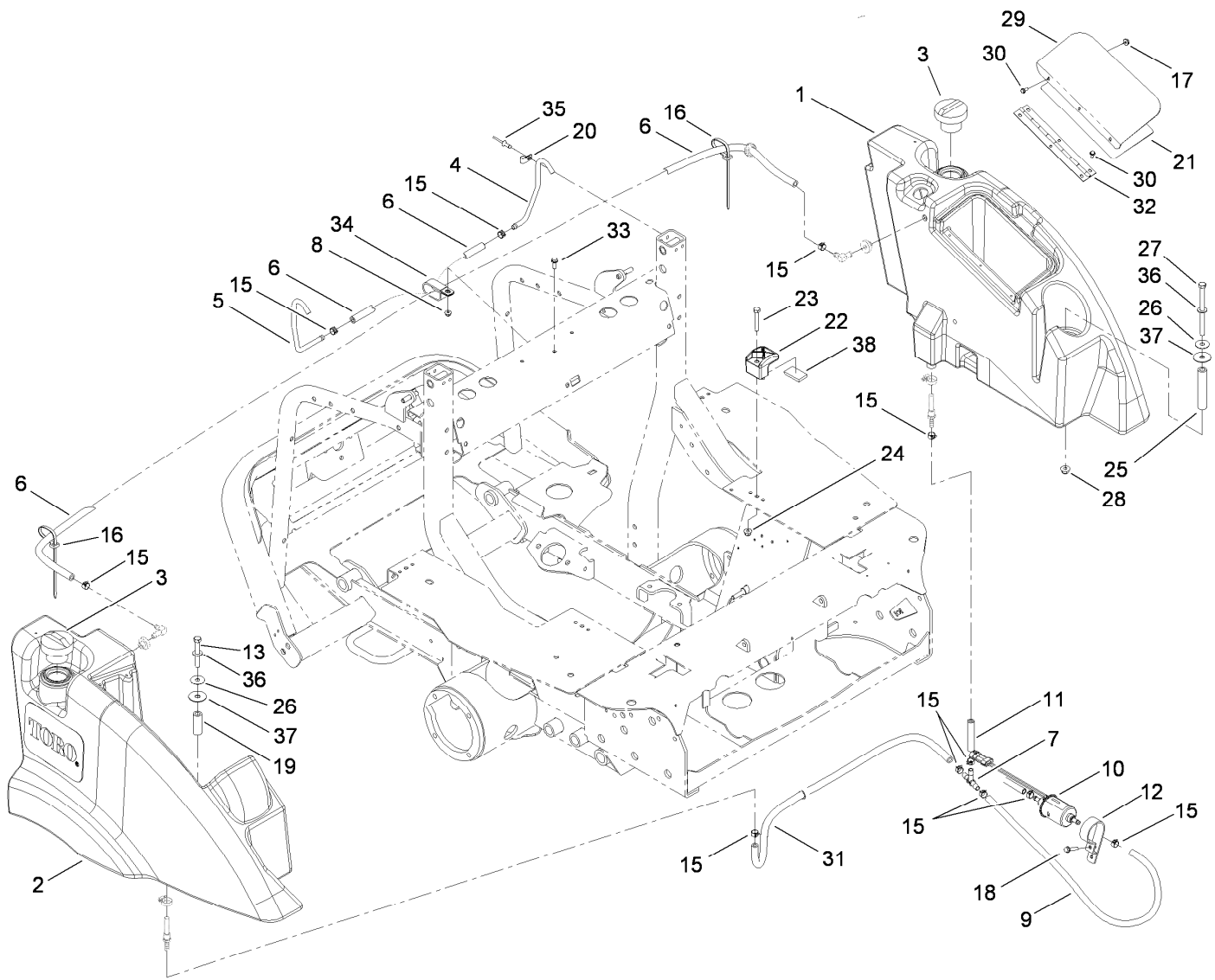
<i>Ref.</i>	<i>Part Number</i>	<i>Qty.</i>	<i>Description</i>
1	117-5636	1	Harness-Wire, Main
1:2	94-6710	1	Fuse-2 Amp
1:3	218-578	2	Fuse-Blade, 10 Amp
1:4	109355	1	Fuse-Blade, 15 Amp
1:5	100-4918	1	Diode
2	99-3441	1	Harness-Wire, Fusible Link
3	108-8657	1	Harness-Wire, Seat
4	104-8301	1	Nut-Flange, NI

<i>Ref.</i>	<i>Part Number</i>	<i>Qty.</i>	<i>Description</i>
5	119-1796	1	Cable-Battery, Positive
6	3231-6	1	Screw-CARR
7	105-0040	1	Cable-Battery, Negative
8	66-2490	1	Retainer-Battery
9	3256-24	1	Washer-Flat
10	108-9928	1	Tray-Battery
11	106-5187	1	Battery
12	3290-378	5	Tie-Cable



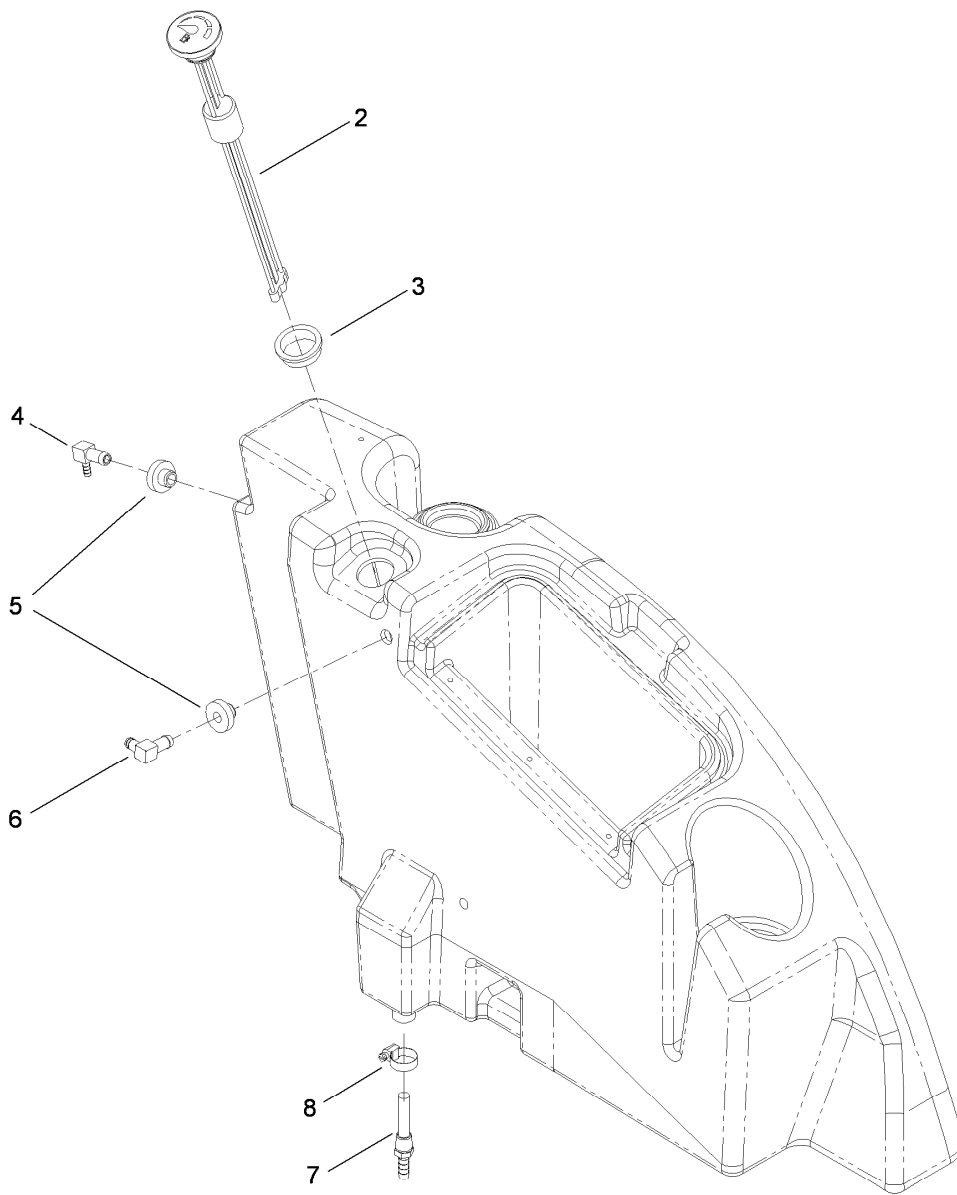
## Hood Assembly

<i>Ref.</i>	<i>Part Number</i>	<i>Qty.</i>	<i>Description</i>	<i>Ref.</i>	<i>Part Number</i>	<i>Qty.</i>	<i>Description</i>
1	112-6311	1	Hood ASM	13	103-2897	2	Latch-Catch
2	3256-2	4	Washer-Flat	14	110-8285-03	1	Angle-Seal
3	103-2898	2	Latch-Rubber	15	110-9795	1	Support-Hood
4	237-136	1	Grommet	15:2	110-9781	1	Decal-Danger
5	32104-95	2	Screw-HWH	16	108-9811	1	Support-Rod, Prop
6	3290-255	1	Pin-Cotter, Hair	17	110-8287	1	Bulb-Seal
7	115-1446-03	1	Screen-Intake	18	3234-33	8	Screw-HHF
8	110-8291	1	Rod-Prop, Hood	19	104-7201	11	Nut-HF
9	3272-6	1	Pin-Cotter	20	110-8288	2	Seal-Foam
10	3274-39	4	Screw-HSBH	21	112-1694	1	Seal-Bulb
11	3296-2	4	Nut-Lock, NI	22	114-4899	17	Plug-Plastic
12	3229-11	3	Screw-CARR				



## Fuel Tank Assembly

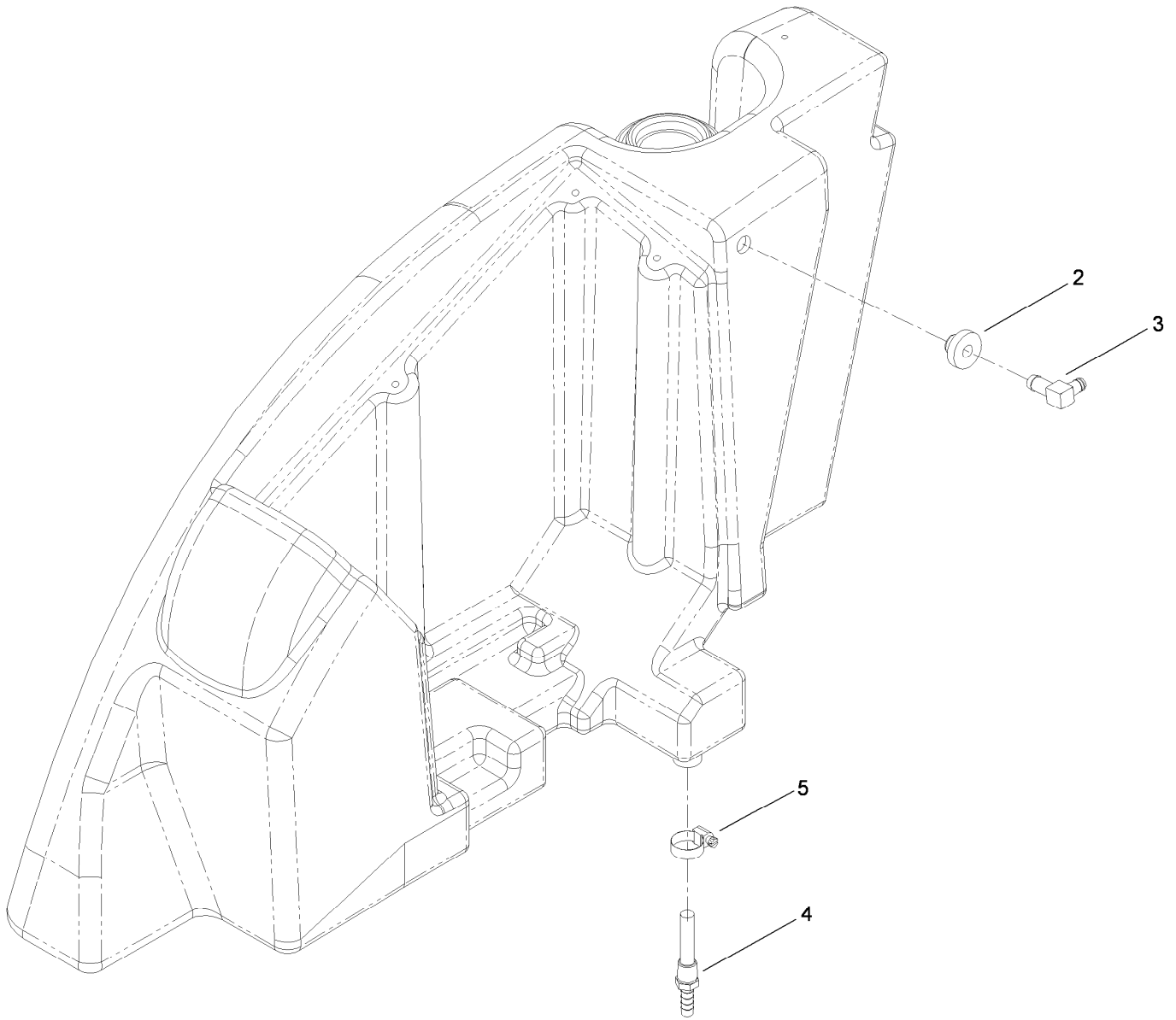
Ref.	Part Number	Qty.	Description	Ref.	Part Number	Qty.	Description
1	110-8230	1	LH Fuel Tank ASM	21	110-8252	1	Decal-Instructions, Service
2	110-8236	1	RH Fuel Tank ASM	22	107-4543	4	Clamp
3	115-5305	2	Cap-Fuel	23	322-10	4	Screw-HH
4	110-8261	1	Tube-Vent, LH	24	104-8300	4	Nut-Flange, NI
5	110-8260	1	Tube-Vent, RH	25	110-5539	1	Spacer
6	110-6186	2	Hose-Fuel	26	105-6814	2	Washer-Plain
7	354-107	1	Fitting-HYD, Tee	27	323-39	1	Screw-HH
8	104-7201	1	Nut-HF	28	104-8301	2	Nut-Flange, NI
9	110-4113	1	Hose-Fuel	29	110-5540-03	1	Cover-Toolbox
10	110-8806	1	Pump-Fuel	30	112-6349	6	Screw-HWH
11	112-6388	1	Hose-Fuel	31	109-0309	1	Hose-Fuel
12	110-8817	1	Bracket-Pump, Fuel	32	108-2024	1	Hinge
13	323-13	1	Screw-HH	33	3229-11	1	Screw-CARR
15	92-2379	11	Clamp-Hose	34	92-5753	1	Clamp-Hose
16	3290-378	2	Tie-Cable	35	3290-412	2	Rivet
17	32149-8	3	Nut-Keps	36	3256-24	2	Washer-Flat
18	32144-110	1	Screw-HWH	37	95-1905	2	Washer-Rubber
19	92-1239	1	Spacer-Support	38	112-9561	4	Pad-Foam
20	2412-89	2	Clamp-R				



## LH Fuel Tank Assembly No. 110-8230

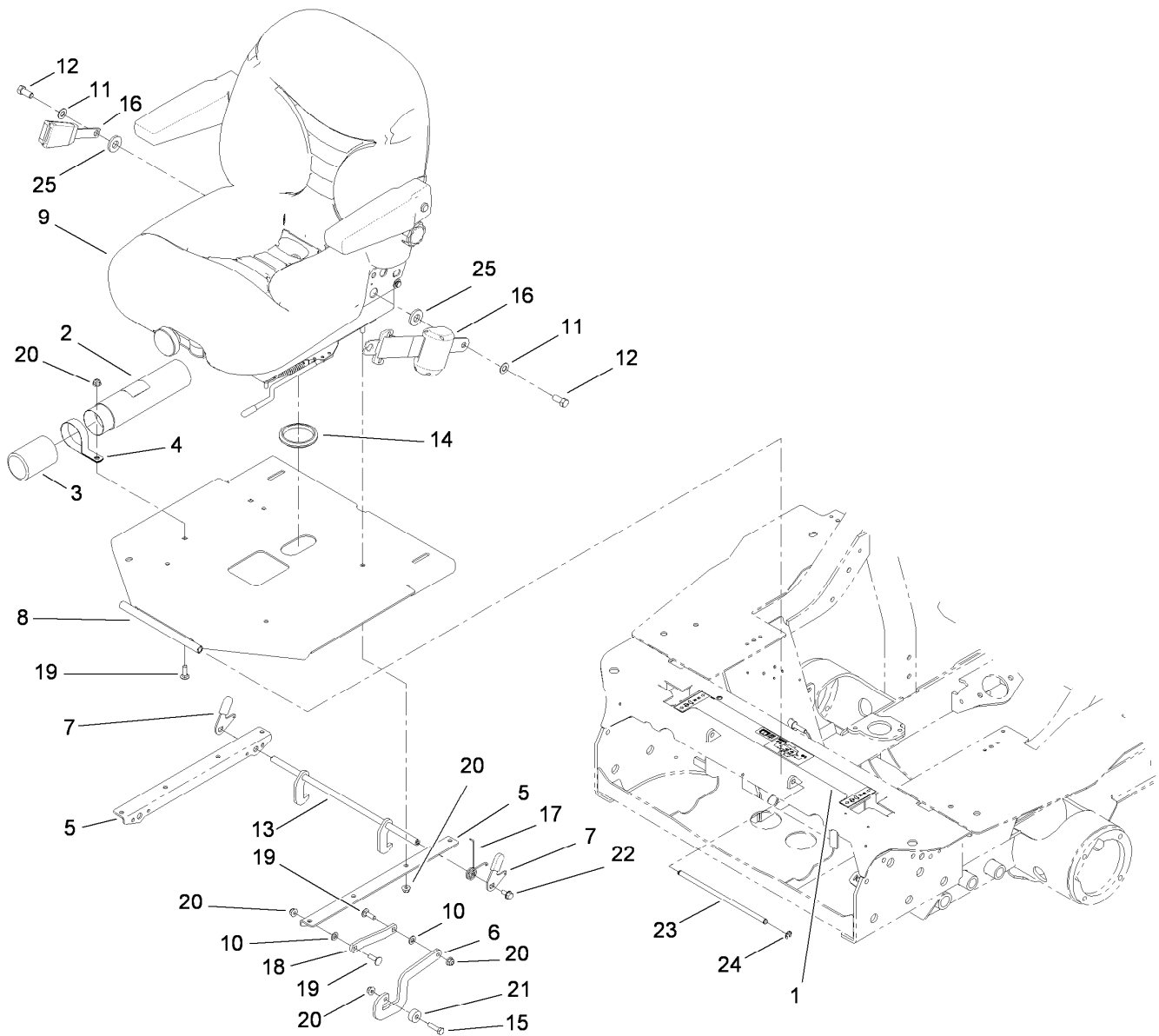
<i>Ref.</i>	<i>Part Number</i>	<i>Qty.</i>	<i>Description</i>
2	110-8262	1	Gauge-Fuel
3	95-8972	1	Grommet
4	104-5228	1	Fitting-Elbow, 90 DEG
5	46-6560	2	Bushing
6	1-643259	1	Fitting-Elbow
7	112-6374	1	Fitting-Strainer
8	2412-36	1	Clamp-Hose





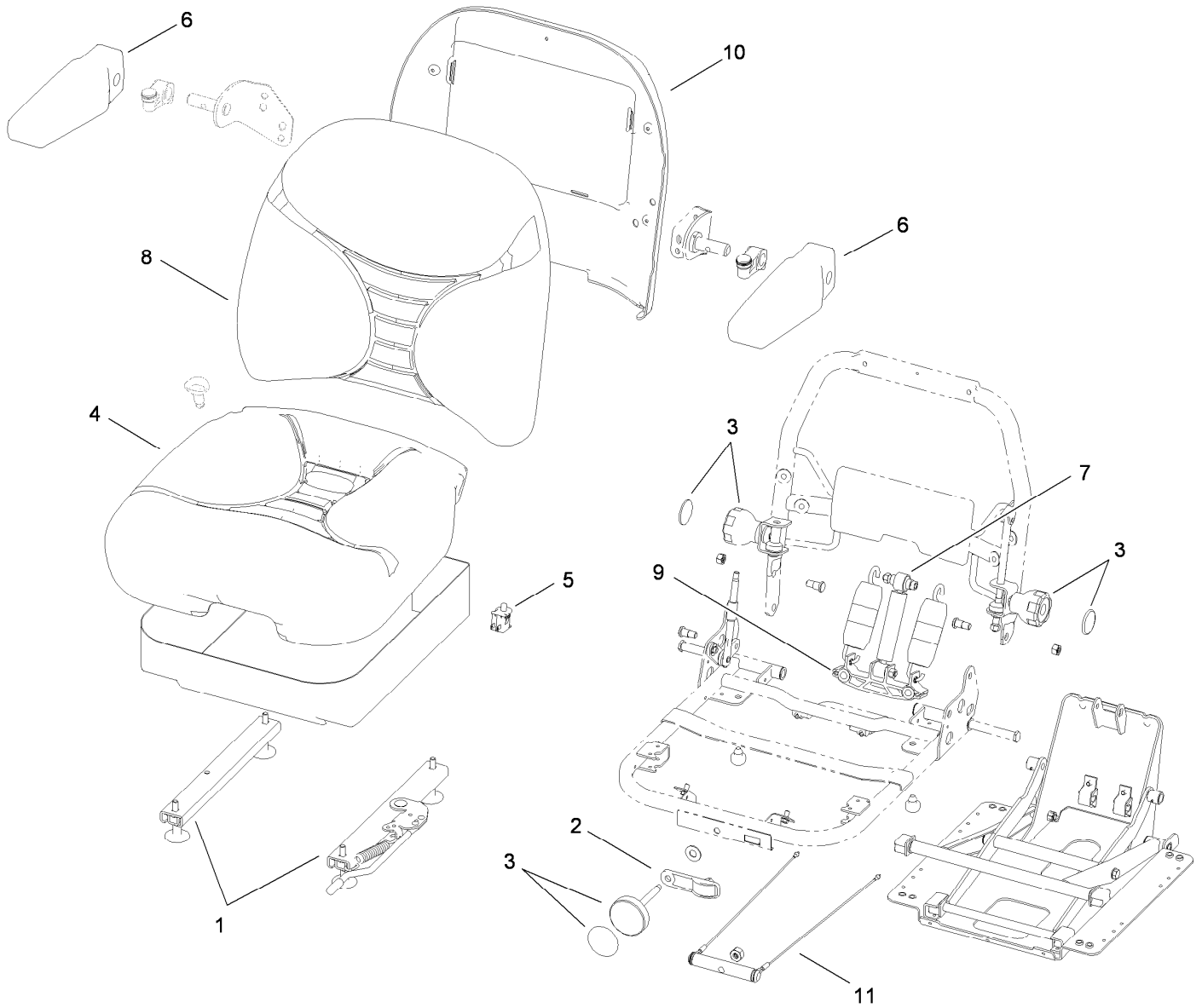
## RH Fuel Tank Assembly No. 110-8236

<i>Ref.</i>	<i>Part Number</i>	<i>Qty.</i>	<i>Description</i>
2	46-6560	1	Bushing
3	1-643259	1	Fitting-Elbow
4	112-6374	1	Fitting-Strainer
5	2412-36	1	Clamp-Hose



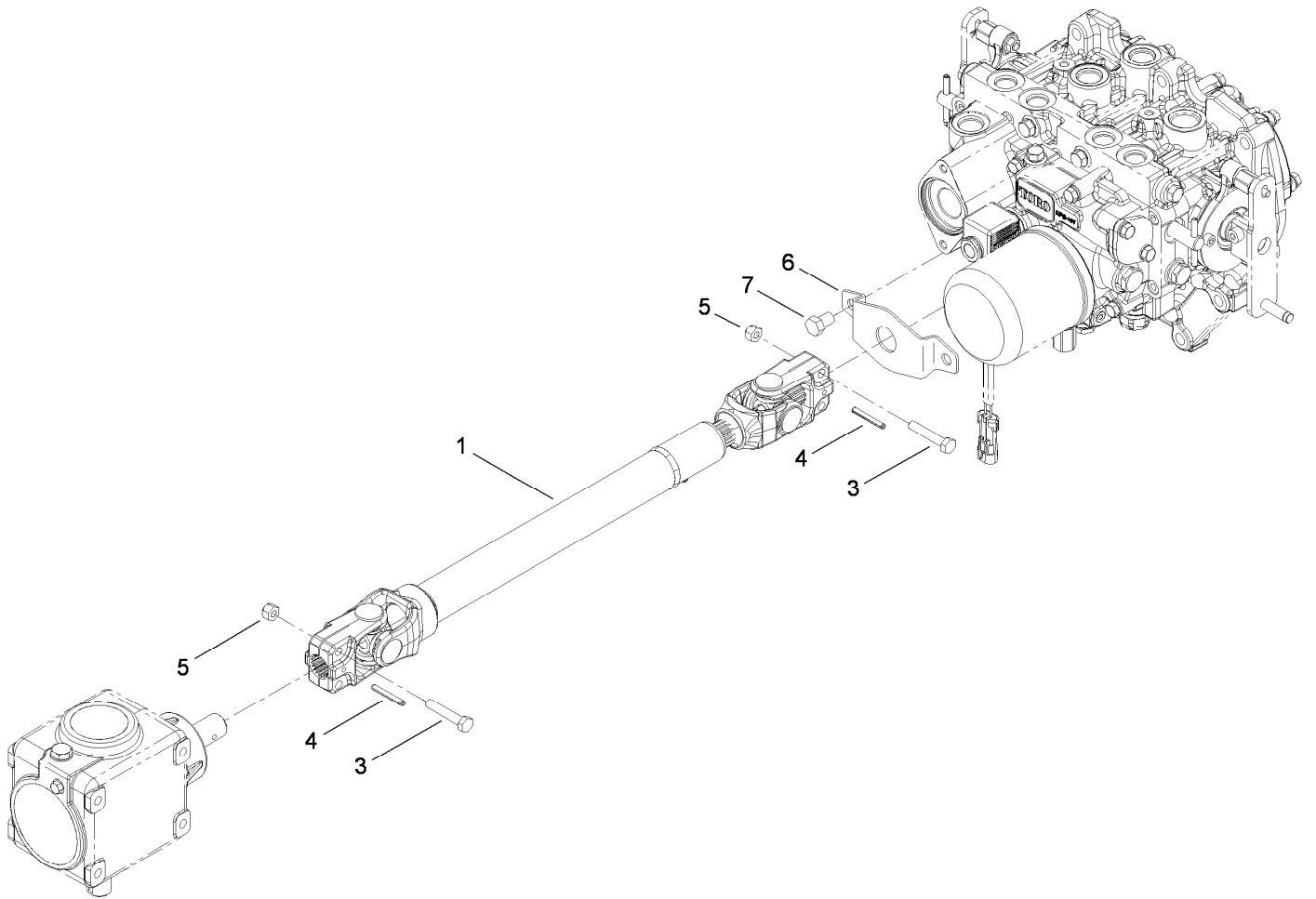
## Seat Assembly

Ref.	Part Number	Qty.	Description	Ref.	Part Number	Qty.	Description
1	110-9774	1	Decal-Safety	14	237-164	1	Grommet
2	104-7050	1	Tube-Manual	15	322-6	1	Screw-HH
3	104-7048	1	Cap-Housing	16	110-0413	1	Seatbelt-Retractable
4	2412-133	2	R-Clamp	17	106-4048	1	Spring-Torsion
5	108-5238-03	2	Angle-Latch	18	110-5513	1	Link-Seat
6	110-5512	1	Lever-Stop, Seat	19	3230-2	4	Bolt-CARR
7	108-5243	2	Lever-Latch	20	104-8300	9	Nut-Flange, NI
8	107-2272-03	1	Plate-Seat	21	104-1429	1	Spacer-Plain
9	107-2286	1	Seat ASM	22	32144-14	2	Screw-HWHTF
10	3256-23	2	Washer-Flat	23	112-1686	1	Pin-Clevis
11	3256-25	2	Washer-Flat	24	105-7004	2	E-Ring
12	3212-4	2	Screw-HH	25	99-7667	2	Washer-Flat
13	108-5240	1	Latch ASM				



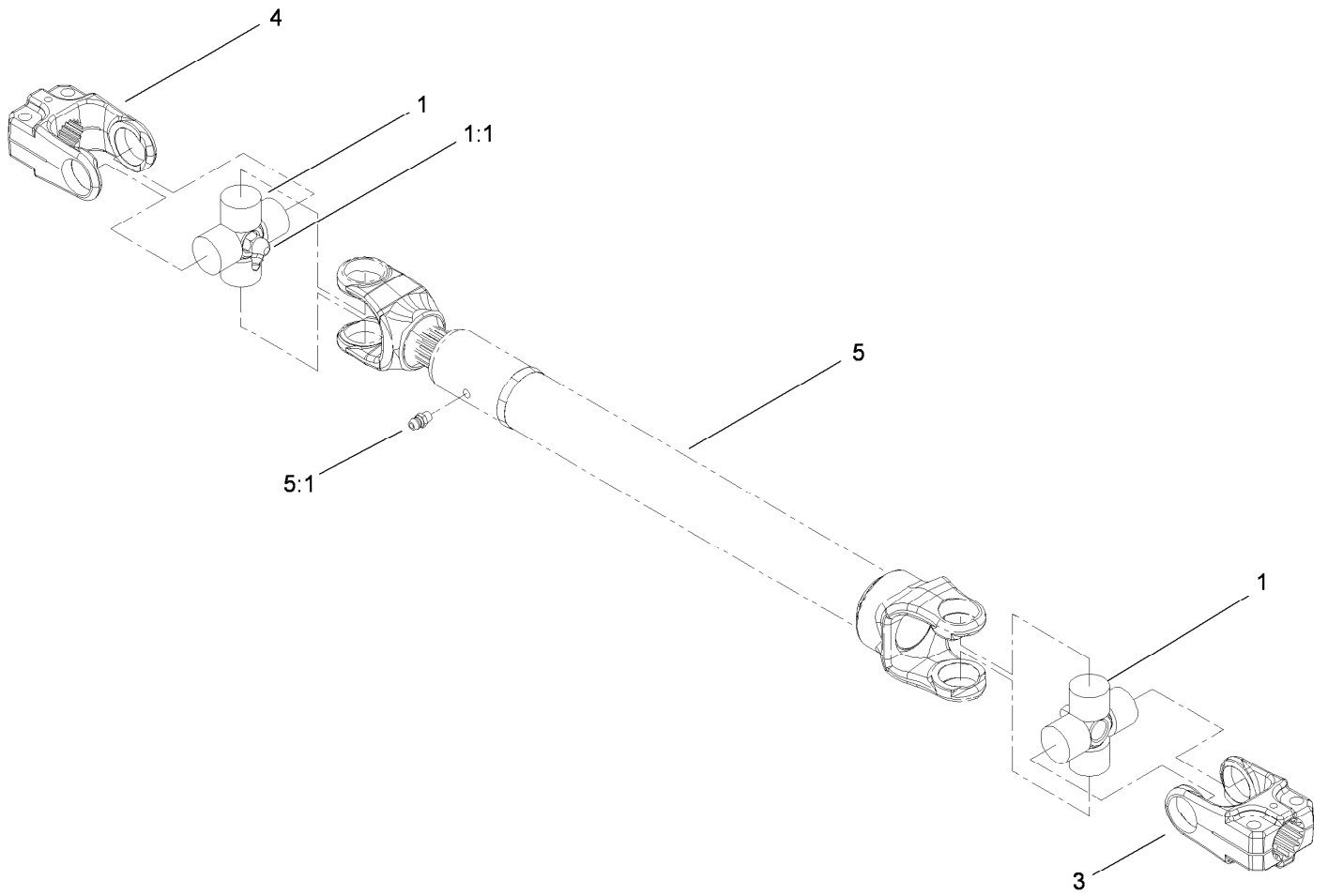
## Seat Assembly No. 107-2286

<i>Ref.</i>	<i>Part Number</i>	<i>Qty.</i>	<i>Description</i>
1	107-1880	1	Seat Track Kit
2	107-1885	1	Weight Indicator Kit
3	107-1881	1	Knob Kit
4	107-1883	1	Bottom Cushion Kit
5	82-2190	1	Switch-Bail
6	107-1887	1	Armrest Kit
7	107-1884	1	Shock Absorber Kit
8	107-1882	1	Back Cushion Kit
9	109-3343	1	Spring And Saddle Kit
10	109-3344	1	Back Panel Kit
11	109-3345	1	Weight Adjust Kit



## Driveshaft Assembly

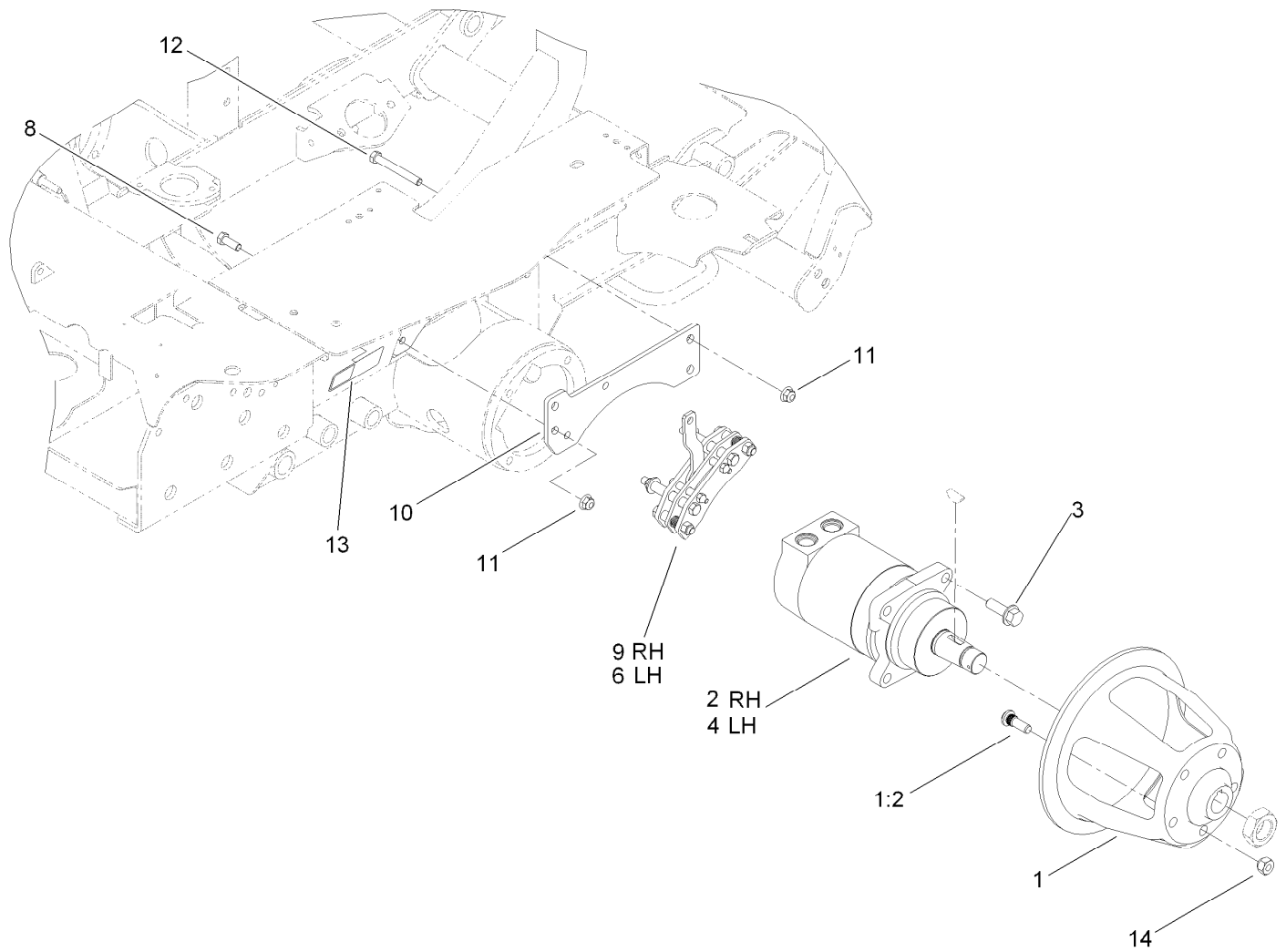
<i>Ref.</i>	<i>Part Number</i>	<i>Qty.</i>	<i>Description</i>
1	110-3575	1	Driveshaft ASM
3	322-9	4	Screw-HH
4	32121-34	2	Pin-Roll
5	3296-29	4	Nut-Lock, NI
6	114-4088	1	Shield-Seal
7	33115-016	2	Screw-HH



## Driveshaft Assembly No. 110-3575

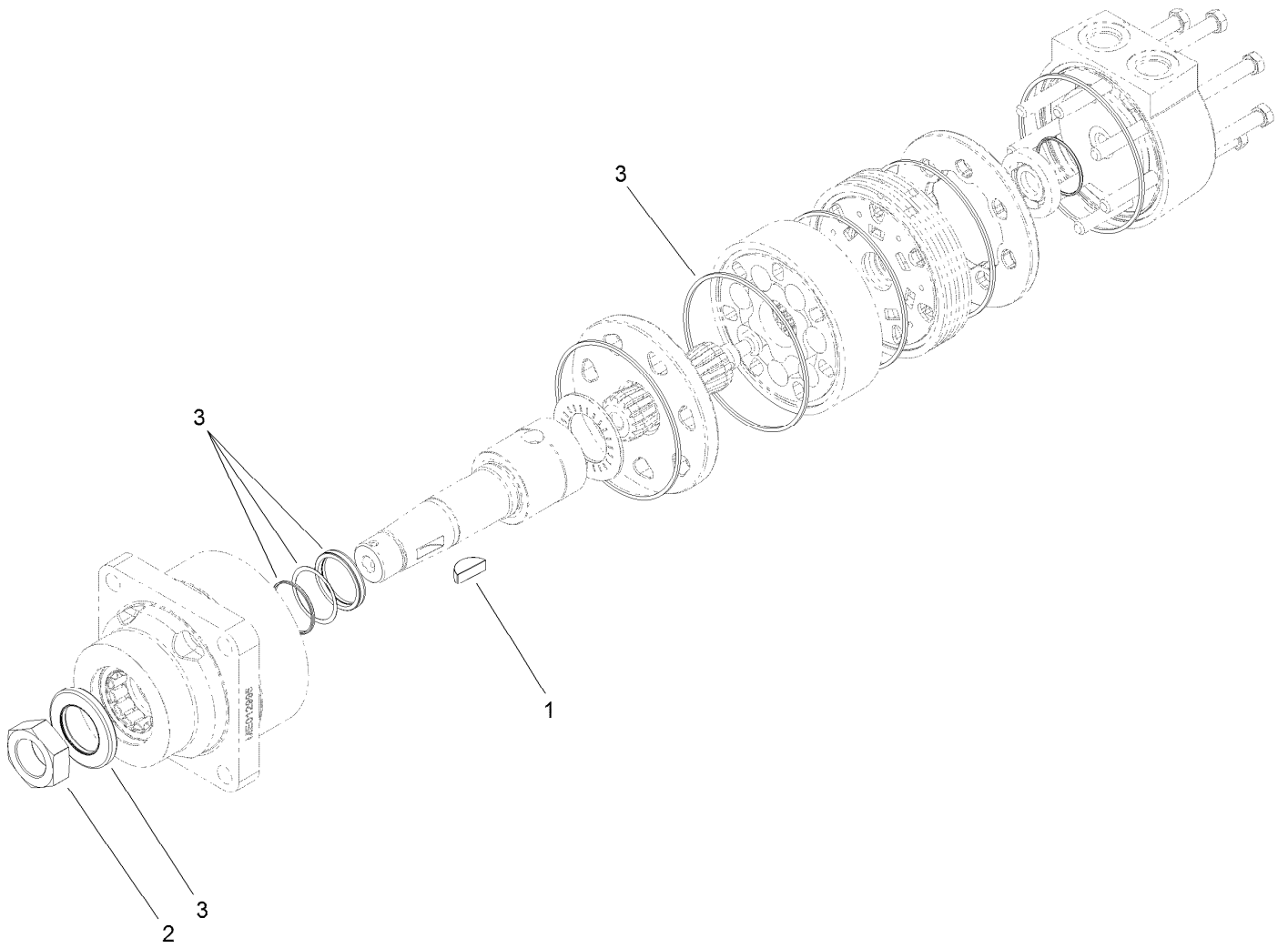
<i>Ref.</i>	<i>Part Number</i>	<i>Qty.</i>	<i>Description</i>
1	112-1687	2	Cross And Bearing Kit
1:1	62-3820	1	Fitting-Grease
3	54-9040	1	Yoke-End
4	54-9090	1	Yoke-End
5		1	Tube-Yoke, Slip ●
5:1	302-22	1	Fitting-Grease

● Not serviced separately



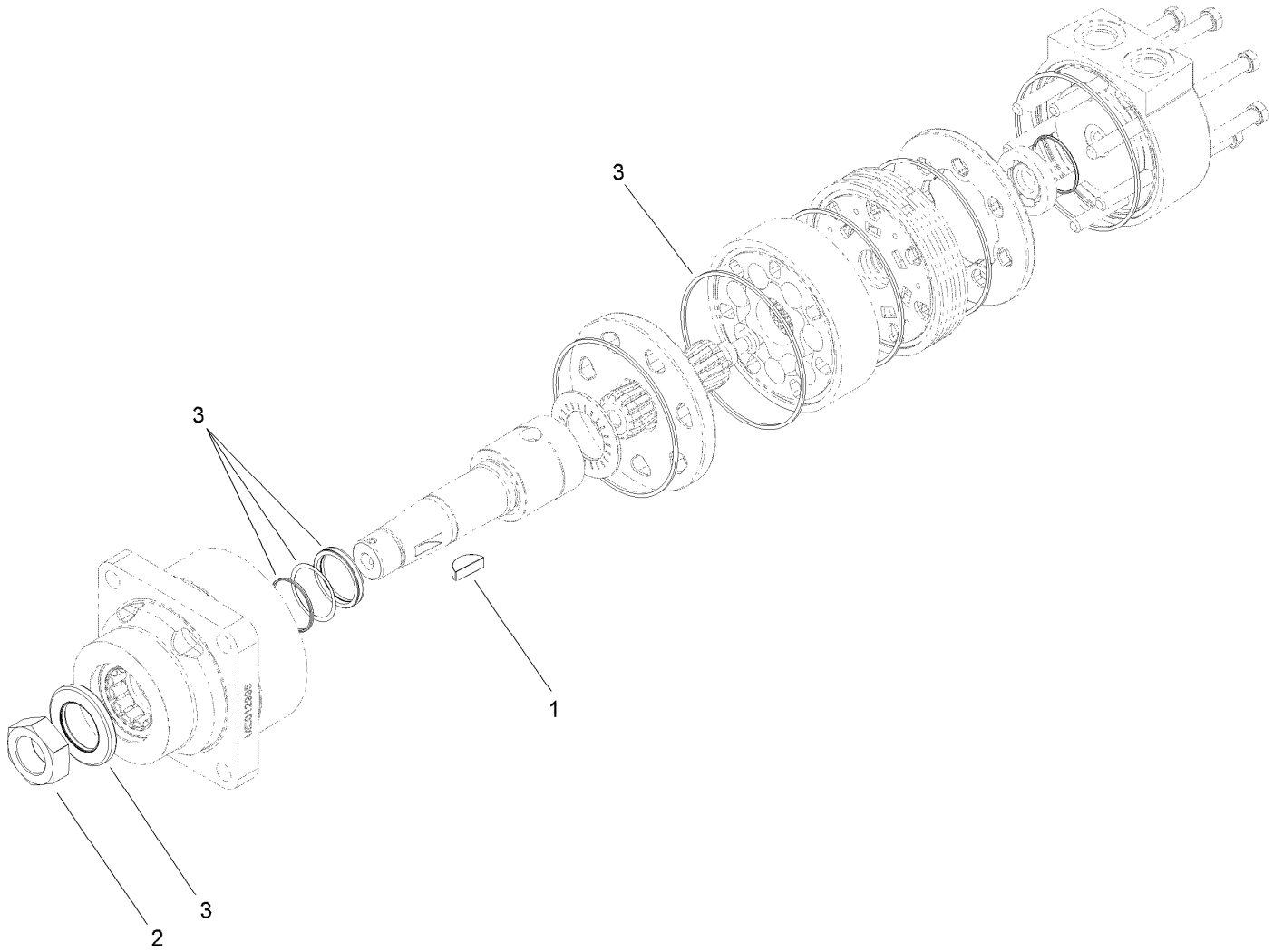
## Rear Drive Assembly

<i>Ref.</i>	<i>Part Number</i>	<i>Qty.</i>	<i>Description</i>
1	110-5535	2	Wheel Hub ASM
1:2	87-8730	5	Stud
2	108-5230	1	RH HYD Motor ASM
3	100-6116	8	Screw-HHF
4	108-5155	1	LH HYD Motor ASM
6	120-0013	1	LH Brake Caliper ASM
8	323-6	4	Screw-HH
9	120-0014	1	RH Brake Caliper ASM
10	112-9550-03	2	Bracket-Brake
11	104-8301	8	Nut-Flange, NI
12	323-14	4	Screw-HH
13	106-9206	2	Decal-Torque, Wheel
14	23-7270	10	Nut-Wheel



## Hydraulic Motor Assembly No. 108-5230

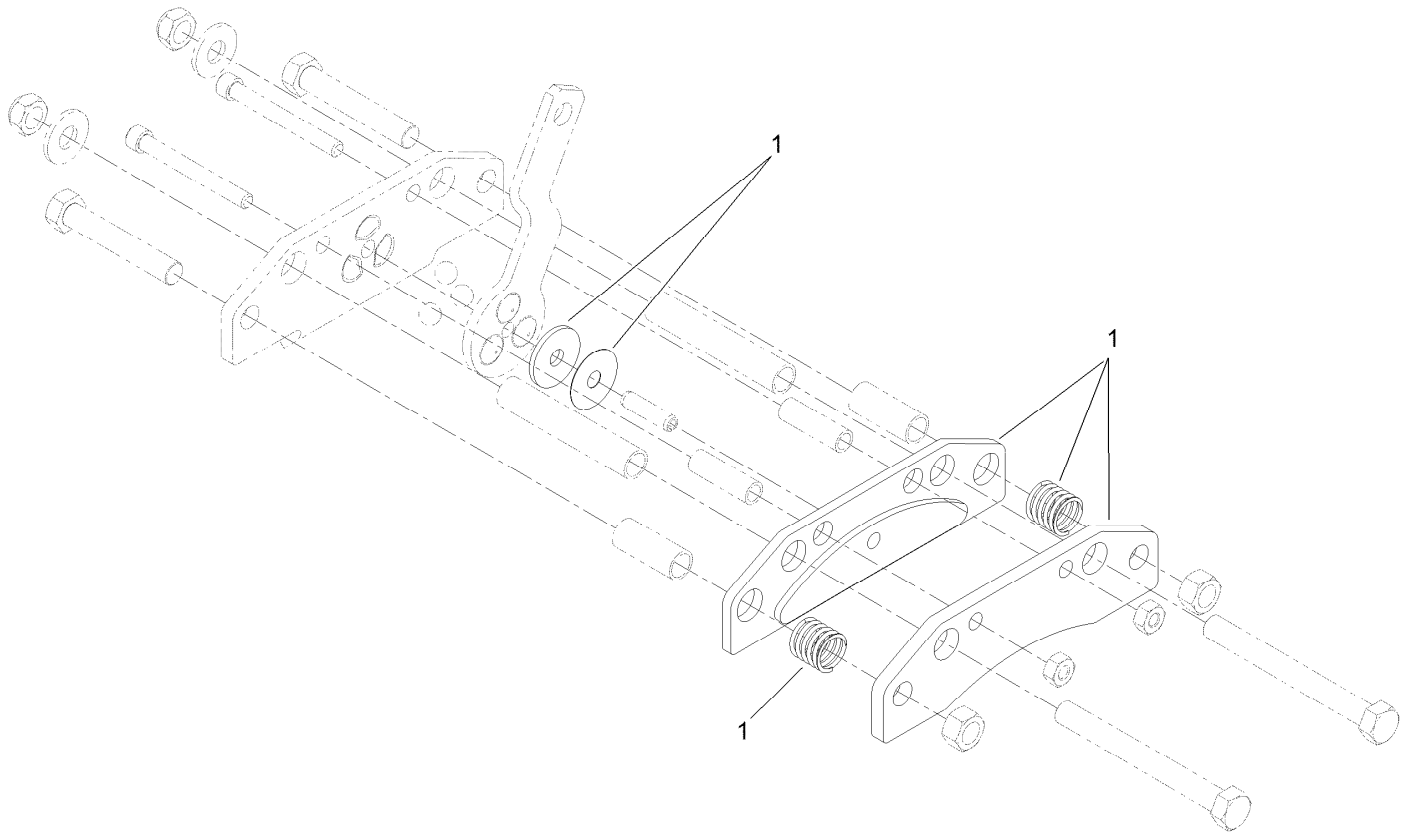
<i>Ref.</i>	<i>Part Number</i>	<i>Qty.</i>	<i>Description</i>
1	3257-42	1	Key-Woodruff
2	107-9319	1	Nut-Hex
3	112-8405	1	Seal Kit



## Hydraulic Motor Assembly No. 108-5155

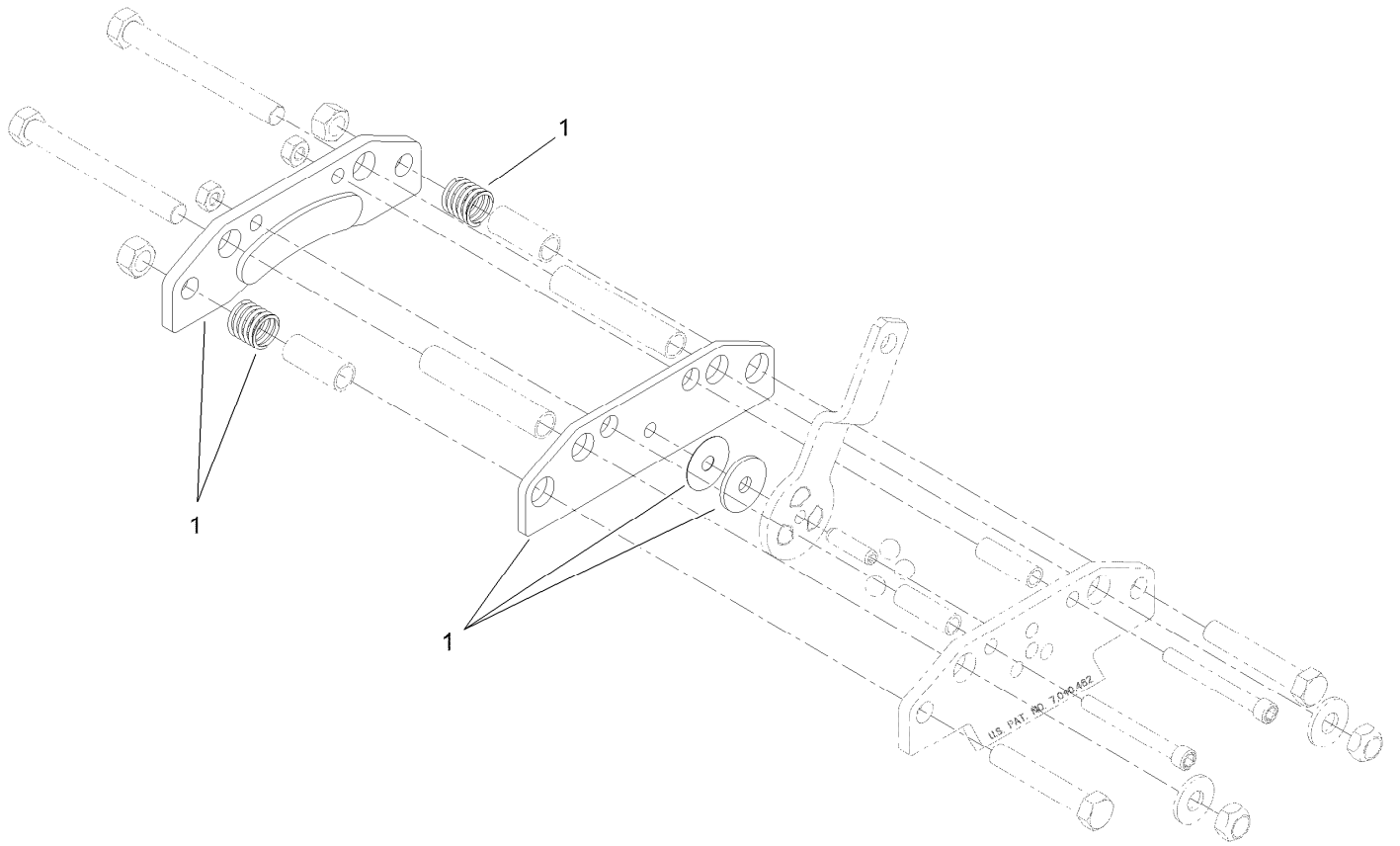
<i>Ref.</i>	<i>Part Number</i>	<i>Qty.</i>	<i>Description</i>
1	3257-42	1	Key-Woodruff
2	107-9319	1	Nut-Hex
3	112-8405	1	Seal Kit





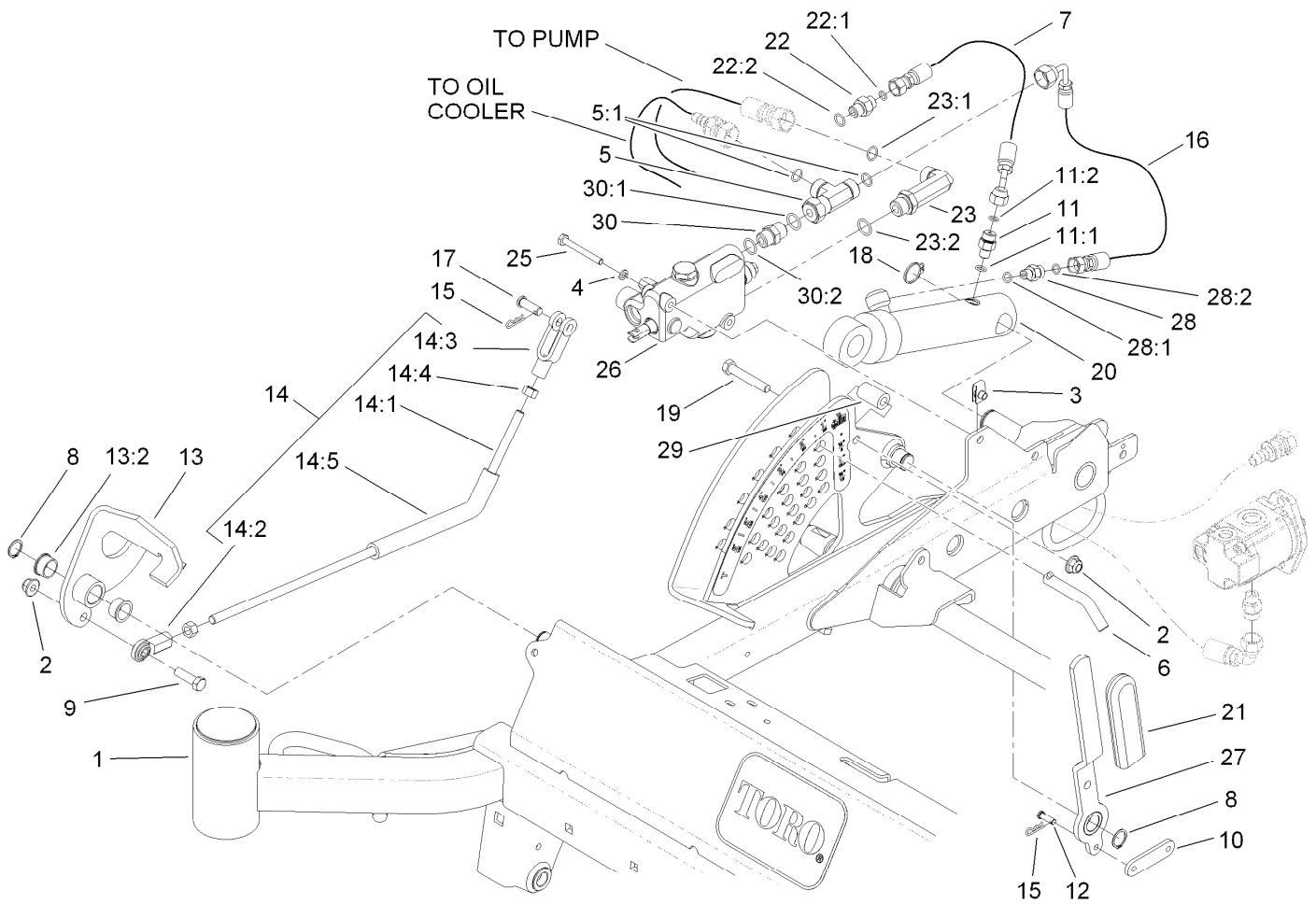
## LH Brake Caliper Assembly No. 120-0013

<i>Ref.</i>	<i>Part Number</i>	<i>Qty.</i>	<i>Description</i>
1	120-0015	1	Replacement Brake Pad Service Kit



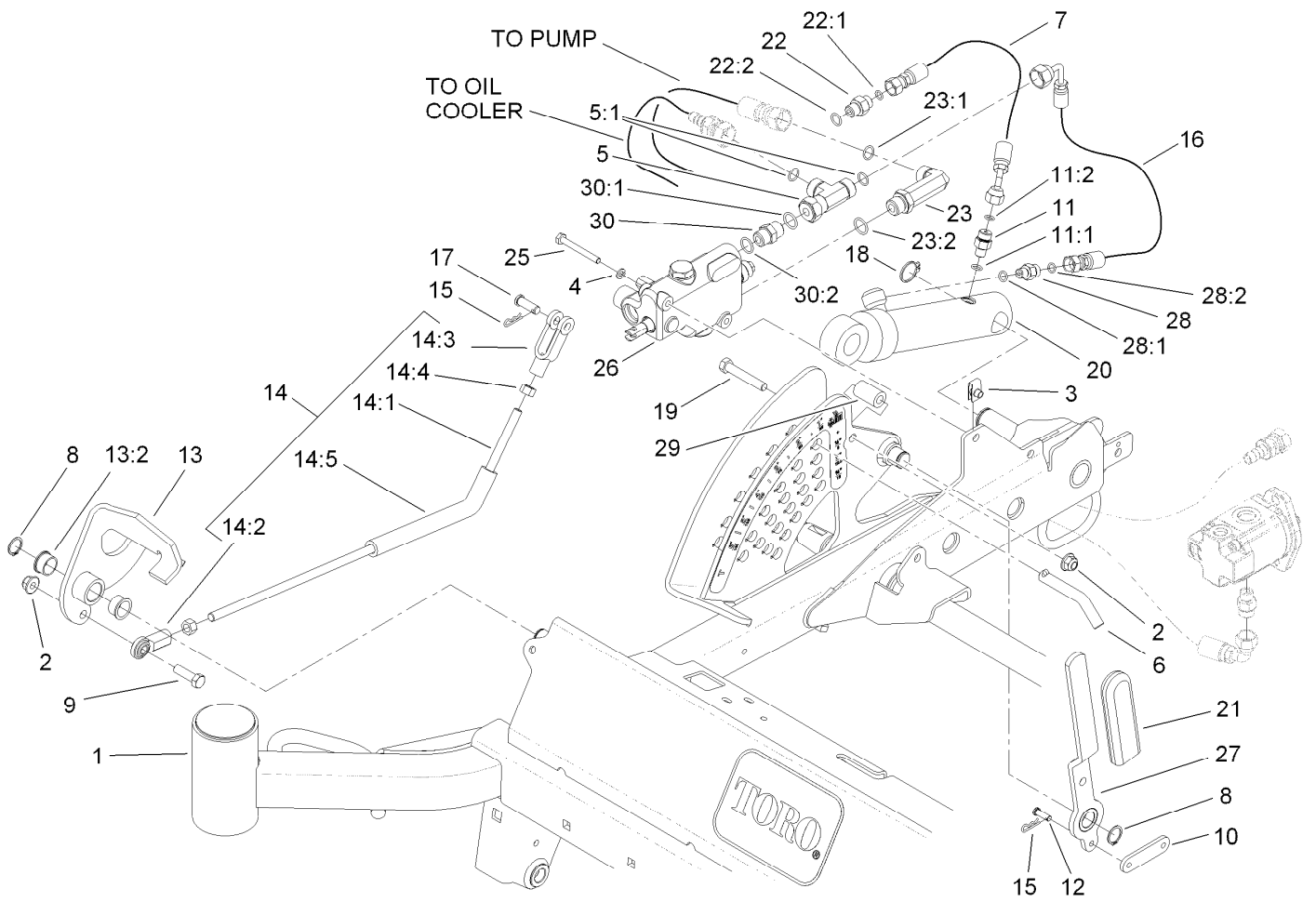
## RH Brake Caliper Assembly No. 120-0014

<i>Ref.</i>	<i>Part Number</i>	<i>Qty.</i>	<i>Description</i>
1	120-0015	1	Replacement Brake Pad Service Kit



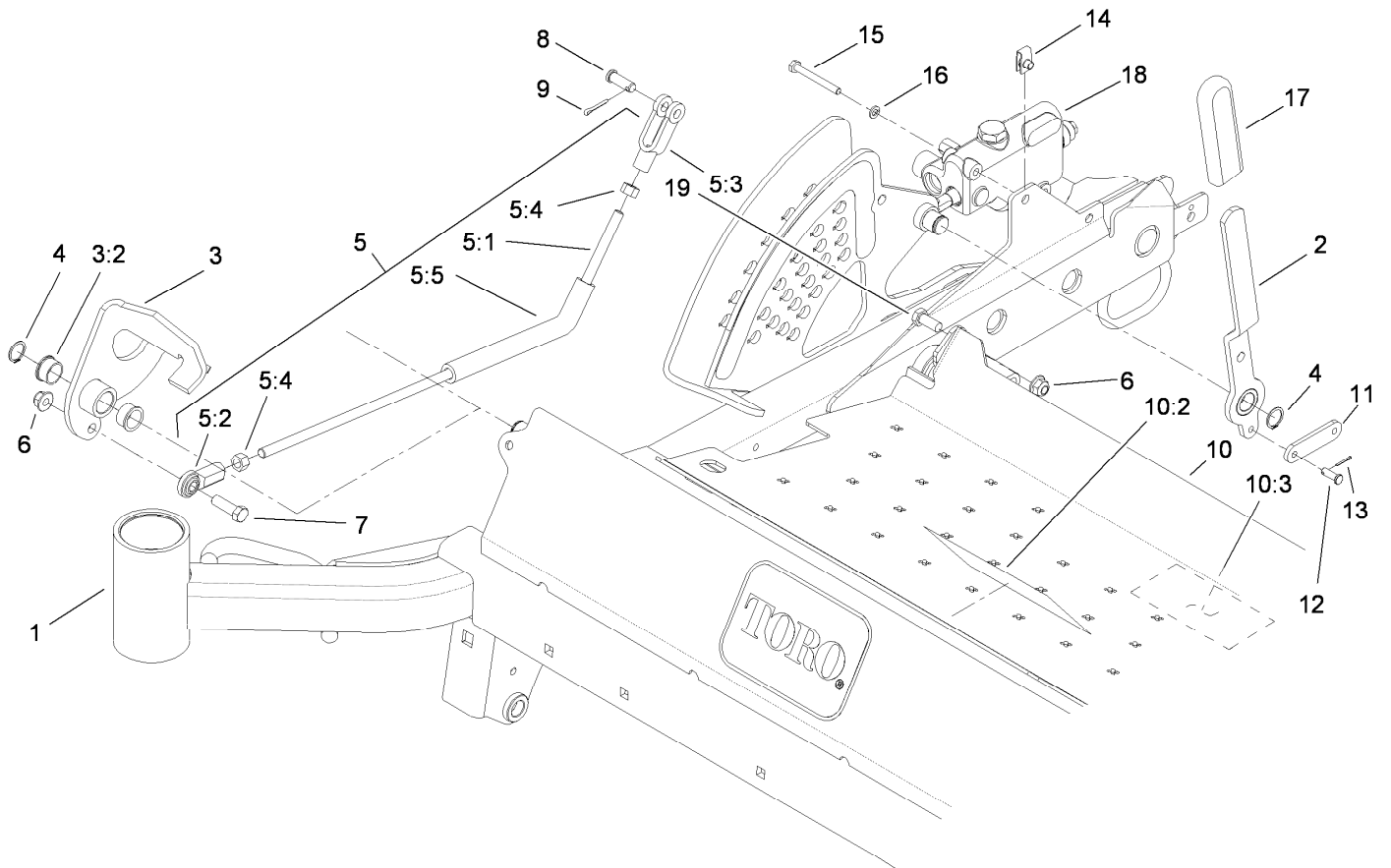
## Carrier Frame and Valve Assembly

Ref.	Part Number	Qty.	Description	Ref.	Part Number	Qty.	Description
1	114-4087	1	Carrier Frame Kit ASM	14:4	3219-3	2	Nut-Hex
2	104-8301	2	Nut-Flange, NI	14:5	114-4041	1	Hose-Foam
3	107069	2	Clip	15	3290-307	3	Pin-Hair
4	3253-3	2	Washer-Lock	16	117-9236	1	Hose ASM
5	340-104	1	Tee-Fitting	17	283-2	1	Pin-Clevis
5:1	237-30	2	O-Ring	18	32151-36	1	Ring-Retaining
6	112-9544	1	Pin-HOC	19	323-11	1	Screw-HH
7	110-8966	1	Hose ASM	20	110-9834	1	HYD Cylinder ASM
8	32120-72	2	Ring-Snap	21	1-633268	1	Grip-Lever
9	323-7	1	Screw-HH	22	340-1	1	Fitting-HYD, Straight (Adapter)
10	114-4042	1	Link	22:1	237-21	1	O-Ring
11	95-1639	1	Fitting-HYD	22:2	237-42	1	O-Ring
11:1	237-78	1	O-Ring	23	99-6160	1	Fitting-Elbow, 90 DEG
11:2	237-21	1	O-Ring	23:1	237-30	1	O-Ring
12	1-808265	2	Pin-Clevis	23:2	237-79	1	O-Ring
13	112-9534	1	Pedal ASM	25	321-18	2	Screw-HH
13:2	256-252	2	Bearing-Flange	26	117-9235	1	Valve ASM
14	112-9539	1	Link ASM	27	114-4027-03	1	Lever ASM
14:1	112-9535	1	Rod-Threaded	28	340-92	1	Fitting-HYD, Straight
14:2	103-0608	1	Joint-Ball, End	28:1	237-78	1	O-Ring
14:3	1-633131	1	Yoke-Linkage, Brake				



## Carrier Frame and Valve Assembly (continued)

<i>Ref.</i>	<i>Part Number</i>	<i>Qty.</i>	<i>Description</i>	<i>Ref.</i>	<i>Part Number</i>	<i>Qty.</i>	<i>Description</i>
28:2	237-21	1	O-Ring	30:1	237-30	1	O-Ring
29	115-1425	1	Spacer	30:2	237-79	1	O-Ring
30	340-4	1	Fitting-HYD, Straight				

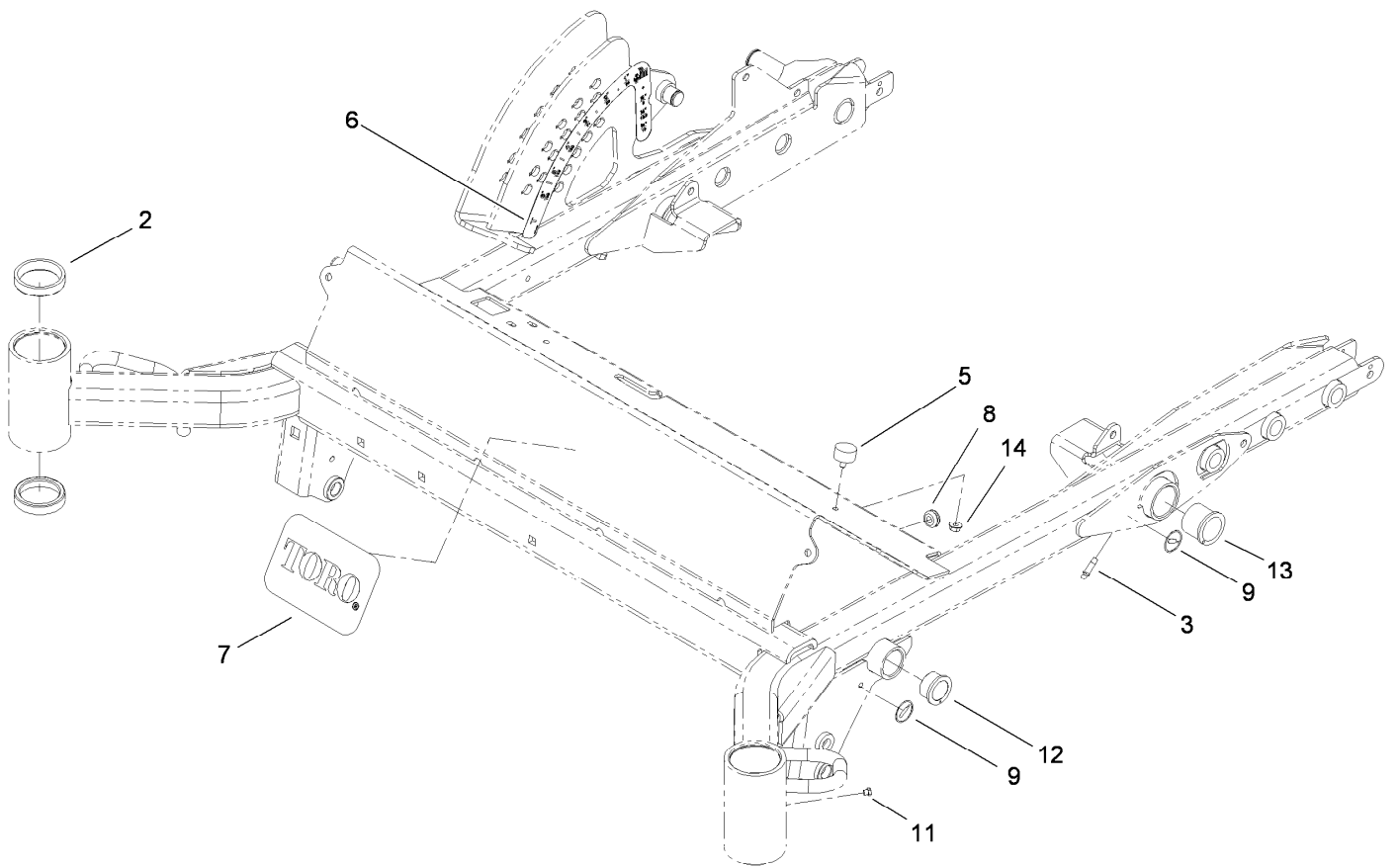


## Carrier Frame Kit Assembly No. 114-4087

Ref.	Part Number	Qty.	Description
1		1	Carrier Frame ASM ●
2	114-4027-03	1	Lever ASM
3	112-9534	1	Pedal ASM
3:2	256-252	2	Bearing-Flange
4	32120-72	2	Ring-Snap
5	112-9539	1	Link ASM
5:1	112-9535	1	Rod-Threaded
5:2	103-0608	1	Joint-Ball, End
5:3	1-633131	1	Yoke-Linkage, Brake
5:4	3219-3	2	Nut-Hex
5:5	114-4041	1	Hose-Foam
6	104-8301	3	Nut-Flange, NI
7	323-7	1	Screw-HH
8	283-2	1	Pin-Clevis

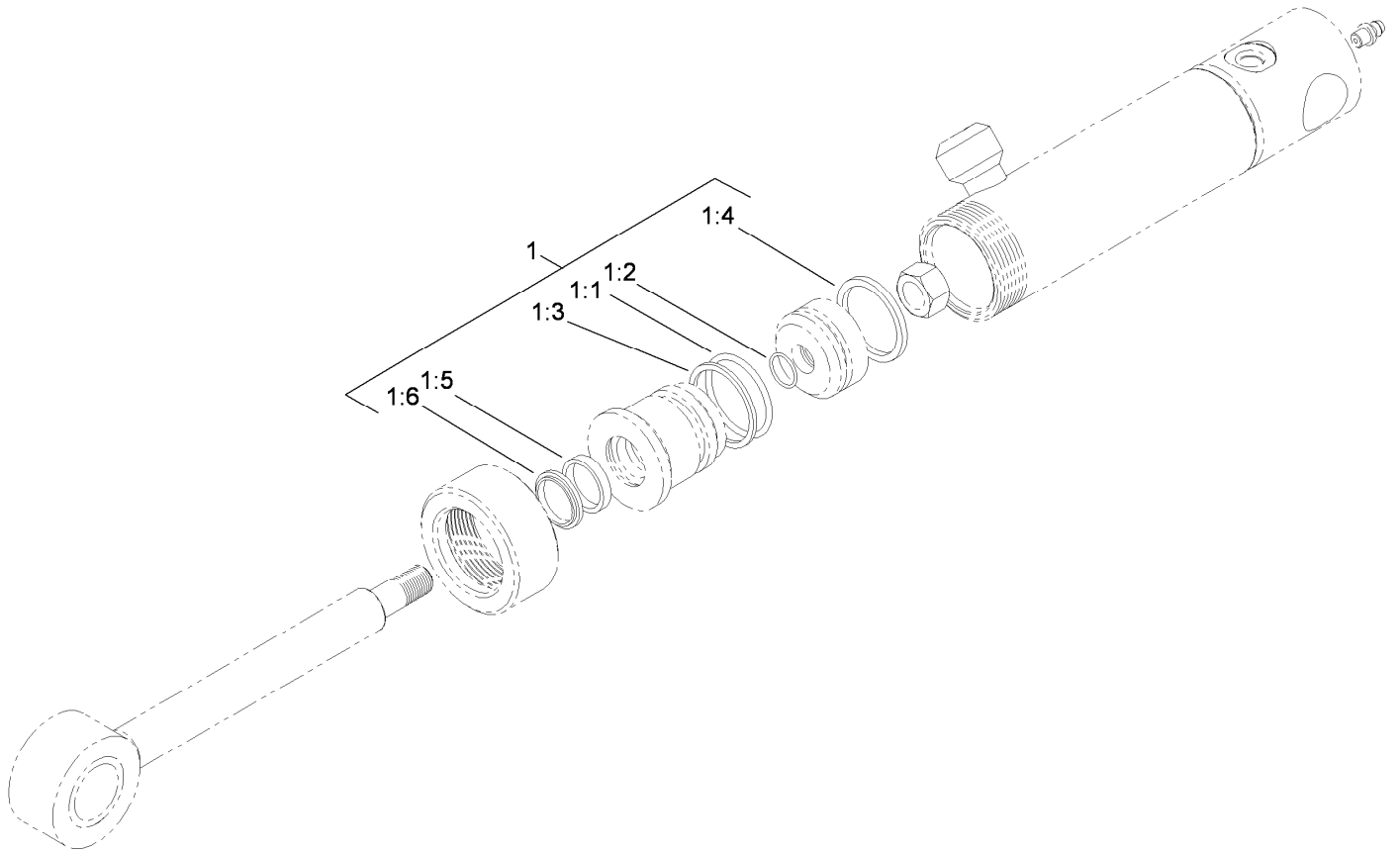
Ref.	Part Number	Qty.	Description
9	3272-10	1	Pin-Cotter
10	114-4048	1	Floor Plate ASM
10:2	107-1866	1	Decal-Danger, Slope
10:3	112-1461	1	Decal-Routing, Belt
11	114-4042	1	Link
12	1-808265	2	Pin-Clevis
13	3272-1	2	Pin-Cotter
14	107069	2	Clip
15	321-18	2	Screw-HH
16	3253-3	2	Washer-Lock
17	1-633268	1	Grip-Lever
18	117-9235	1	Valve ASM
19	323-5	2	Screw-HH

● Not serviced separately



## Carrier Frame Assembly

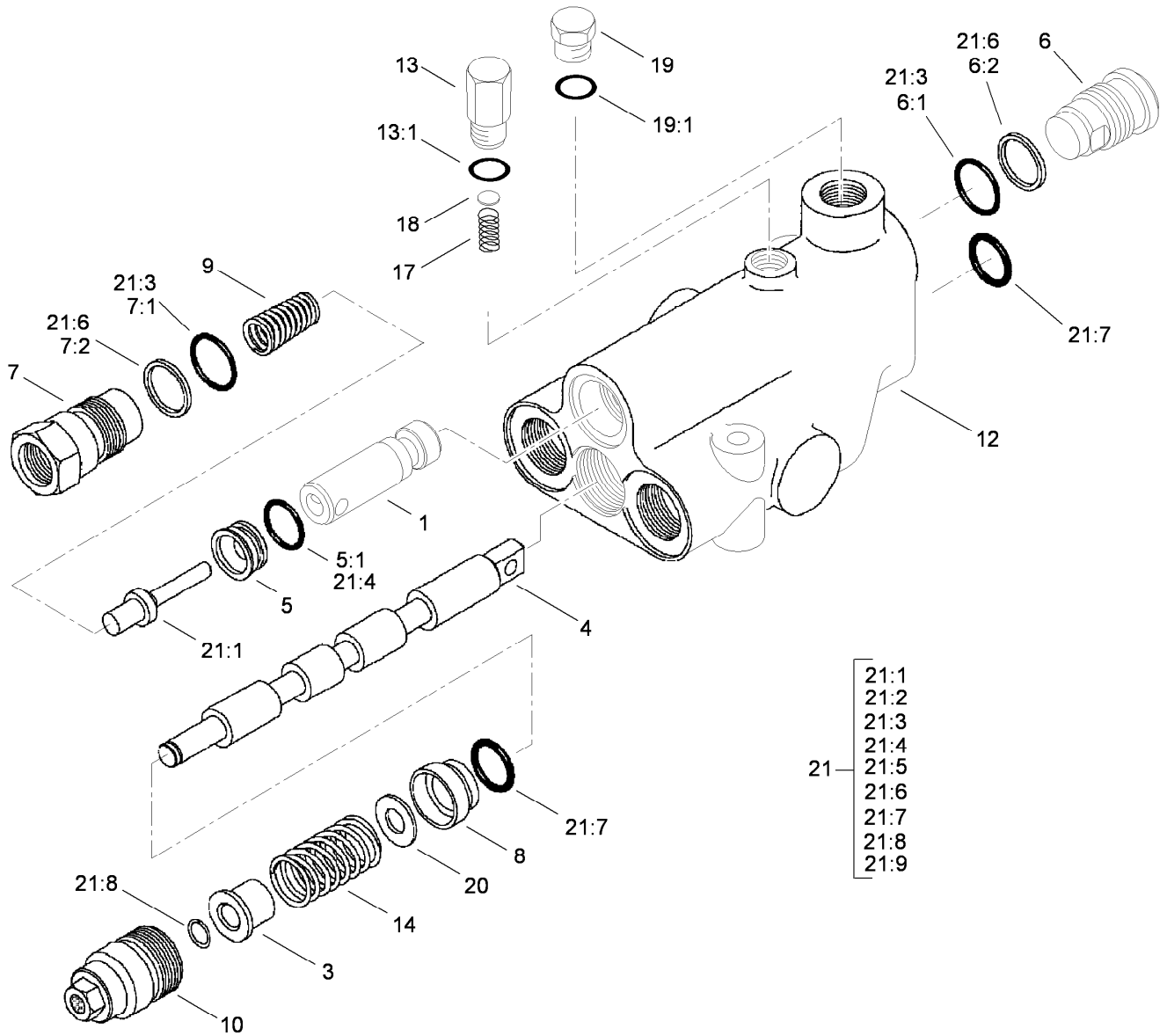
<i>Ref.</i>	<i>Part Number</i>	<i>Qty.</i>	<i>Description</i>
2	254-107	4	Cup-Bearing, Tapered
3	302-64	2	Fitting-Grease
5	240-14	4	Bumper-Rubber
6	112-1620	1	Decal-HOC
7	99-4693	1	Decal
8	237-141	1	Grommet-Rubber
9	58-6520	4	Decal-Grease
11	1-811010	2	Plug
12	94-7574	2	Bushing-Flanged
13	256-268	2	Bushing
14	104-7201	4	Nut-HF



## Hydraulic Cylinder Assembly No. 110-9834

<i>Ref.</i>	<i>Part Number</i>	<i>Qty.</i>	<i>Description</i>
1	112-6353	1	Seal Kit
1:1		1	O-Ring ●
1:2		1	O-Ring ●
1:3		1	Backup ●
1:4		1	Seal-Bp ●
1:5		1	Seal-Rod ●
1:6		1	Seal-Dust ●

● Not serviced separately



## Hydraulic Valve Assembly No. 117-9235

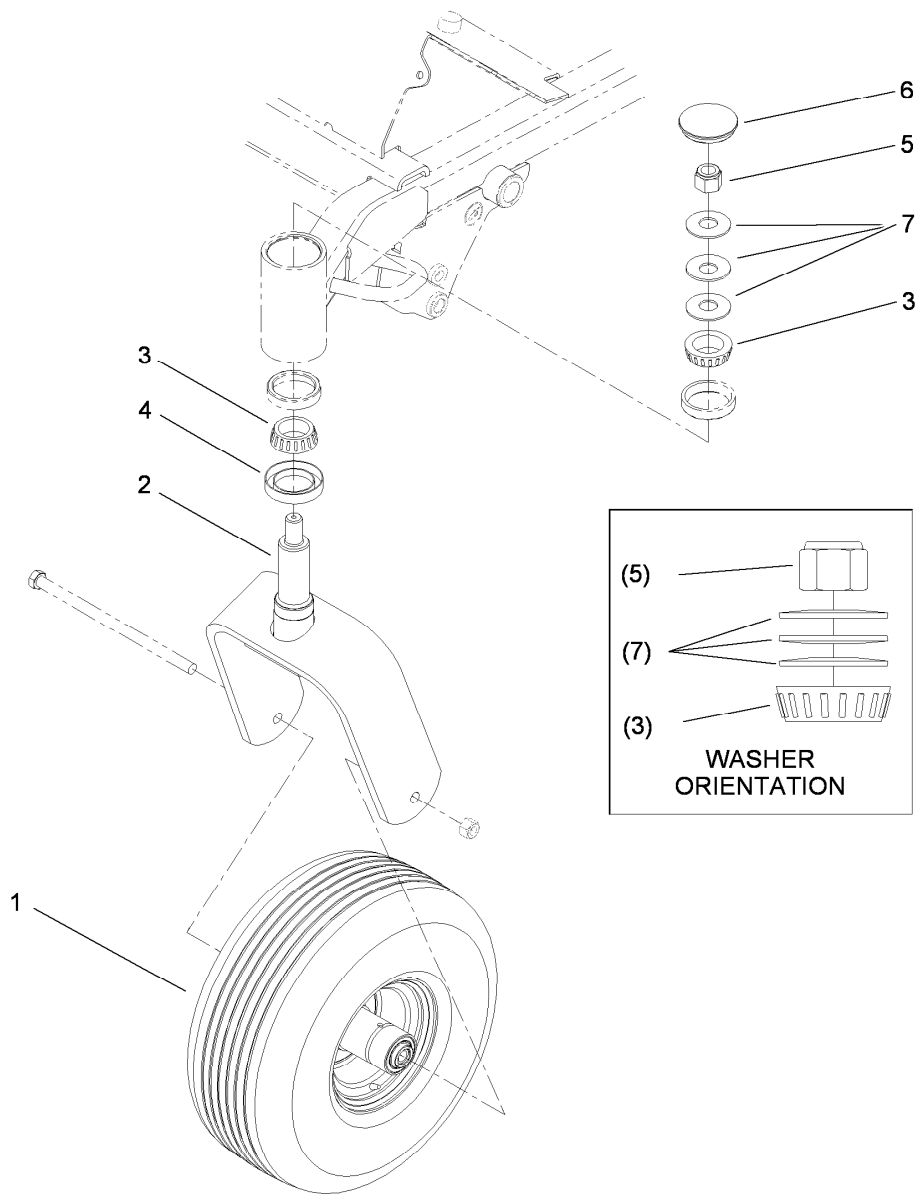
Ref.	Part Number	Qty.	Description
1	99-3586	1	Plunger
3	58-6310	1	Spacer
4		1	Spool ■
5	58-6330	1	Seat
5:1	58-6340	1	O-Ring
6	58-6350	1	Plug
6:1	60-5720	1	O-Ring
6:2	58-6370	1	Washer
7	69-1800	1	Plug ASM
7:1	60-5720	1	O-Ring
7:2	58-6370	1	Washer
8	58-6400	1	Bushing
9	69-1810	1	Spring
10	58-6420	1	Cap
12		1	Body ■
13	58-6780	1	Plug
13:1	58-6790	1	O-Ring

Ref.	Part Number	Qty.	Description
14	99-3531	1	Spring
17	58-6760	1	Spring
18	60-6450	1	Disc
19	58-6710	1	Plug
19:1	58-6720	1	O-Ring
20	65-2770	1	Washer
21	99-3589	1	Seal Kit ●
21:1	58-6290	2	Poppet
21:2	58-6320	1	Wiper
21:3	60-5720	2	O-Ring
21:4	58-6340	2	O-Ring
21:5	93-6314	1	O-Ring
21:6	58-6370	2	Washer
21:7	58-6450	2	O-Ring
21:8	58-6460	1	Ring-Retaining
21:9		1	O-Ring ■

● Not illustrated

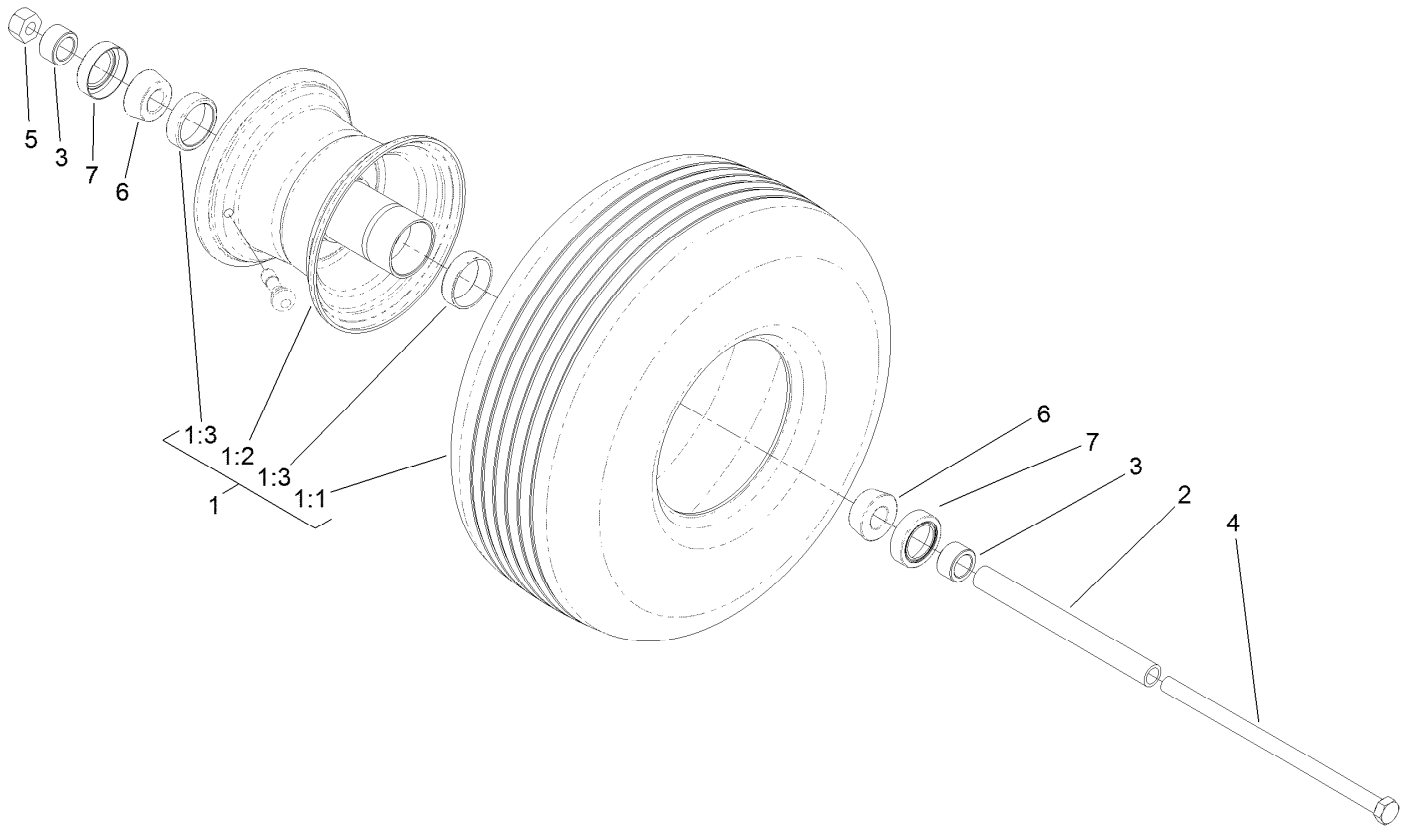
■ Not serviced separately





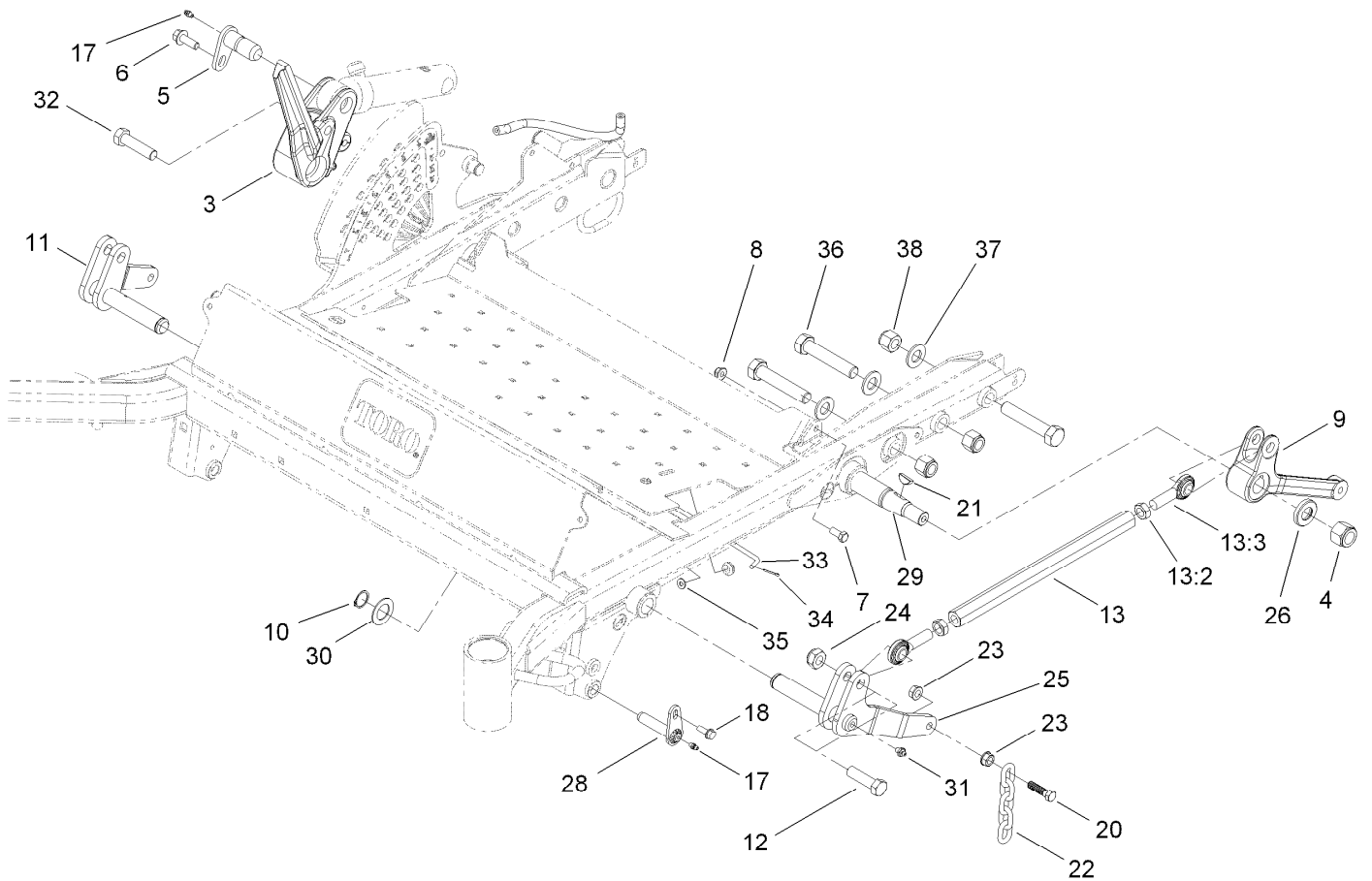
## Caster Fork Assembly

<i>Ref.</i>	<i>Part Number</i>	<i>Qty.</i>	<i>Description</i>
1	108-9954	2	Caster Wheel ASM
2	108-9946-03	2	Fork-Caster
3	254-106	4	Cone-Bearing, Tapered
4	69-2980	2	Seal
5	3296-51	2	Nut-Lock, NI
6	108-9950	2	Cap-Grease
7	108-9957	6	Washer-Belleville



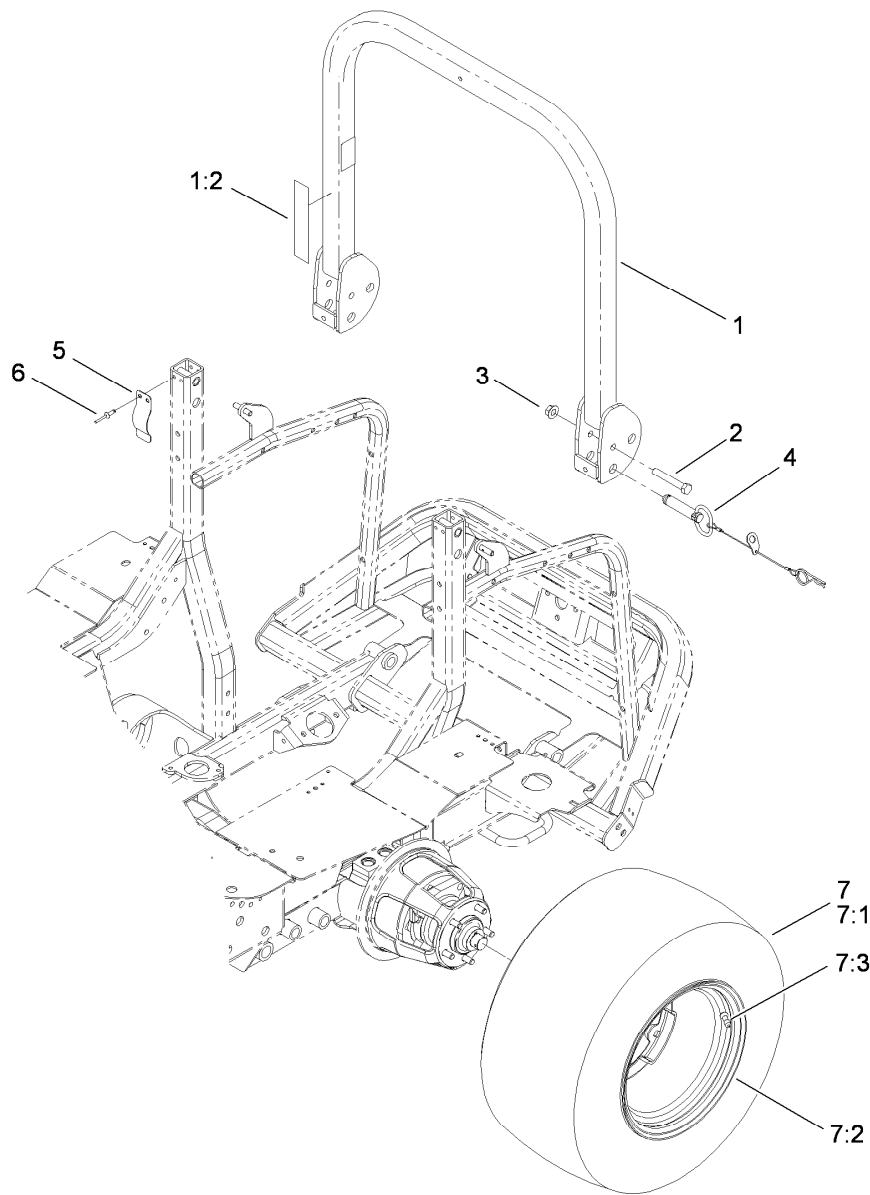
## Caster Wheel Assembly No. 108-9954

<i>Ref.</i>	<i>Part Number</i>	<i>Qty.</i>	<i>Description</i>
1	108-9956	1	Tire And Wheel ASM
1:1	108-9955	1	Tire
1:2	1-633987	1	Wheel
1:3	1-633584	2	Bearing-Cup
2	1-633959	1	Spacer-Caster, Front
3	1-633581	2	Spacer-Bearing
4	325-39	1	Screw-HH
5	3296-25	1	Nut-Lock, NI
6	1-633585	2	Bearing-Cone, Taper
7	1-633580	2	Seal-Bearing



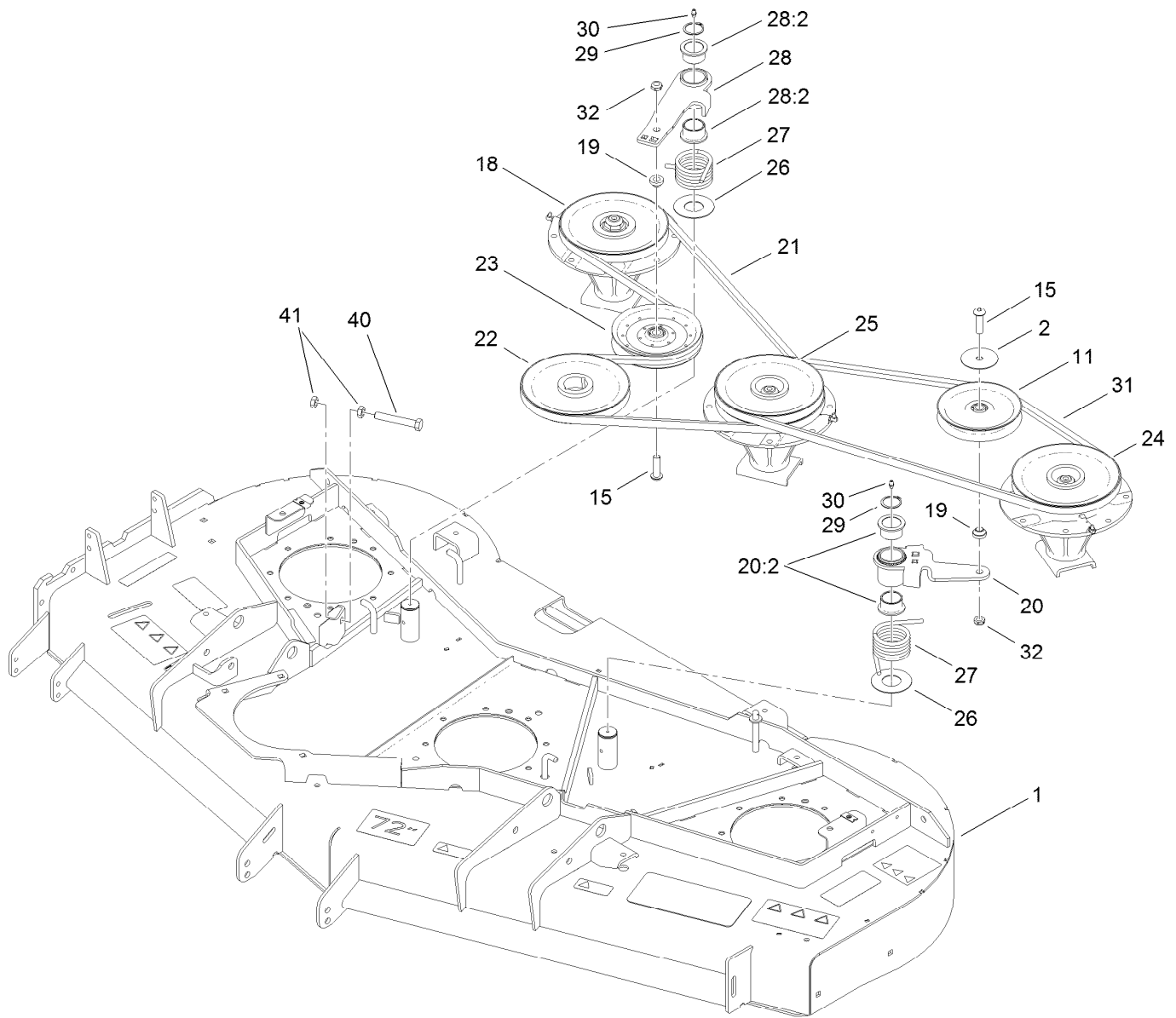
## Deck Linkage Assembly

Ref.	Part Number	Qty.	Description	Ref.	Part Number	Qty.	Description
3	112-1635	1	Arm-Lift, RH	22	1-633447	4	Chain-Lift, Deck
4	94-8000	2	Nut-Hex	23	32128-37	6	Nut-HF
5	98-2654	1	Pivot Pin ASM	24	3296-61	3	Nut-Lock
6	3234-15	1	Screw-HHF	25	110-9818-03	1	LH Lift ASM
7	323-5	2	Screw-HH	26	112-9585	2	Washer-Hardened
8	104-8301	2	Nut-Flange, NI	28	112-1602	2	Pin-Retainer
9	112-1637	1	Arm-Lift, LH	29	112-9522-03	1	Shaft-Lift, Deck
10	32151-29	2	Ring-Retaining	30	69-9010	2	Washer
11	110-9820-03	1	RH Lift ASM	31	302-2	2	Fitting-Grease
12	327-22	3	Screw-HH	32	327-7	1	Screw-HH
13	114-4059	2	Link ASM	33	110-9847	1	Rod-Prop
13:2	3220-6	2	Nut-Jam	34	3272-6	1	Pin-Cotter
13:3	1-633029	2	Balljoint-Spherical	35	3256-22	1	Washer-Flat
17	302-5	3	Fitting-Grease	36	328-7	5	Screw-HH
18	32144-41	2	Screw-Taptite	37	92-5836	5	Washer
20	103-1898	4	Screw-HH	38	3296-51	5	Nut-Lock, NI
21	3257-42	2	Key-Woodruff				



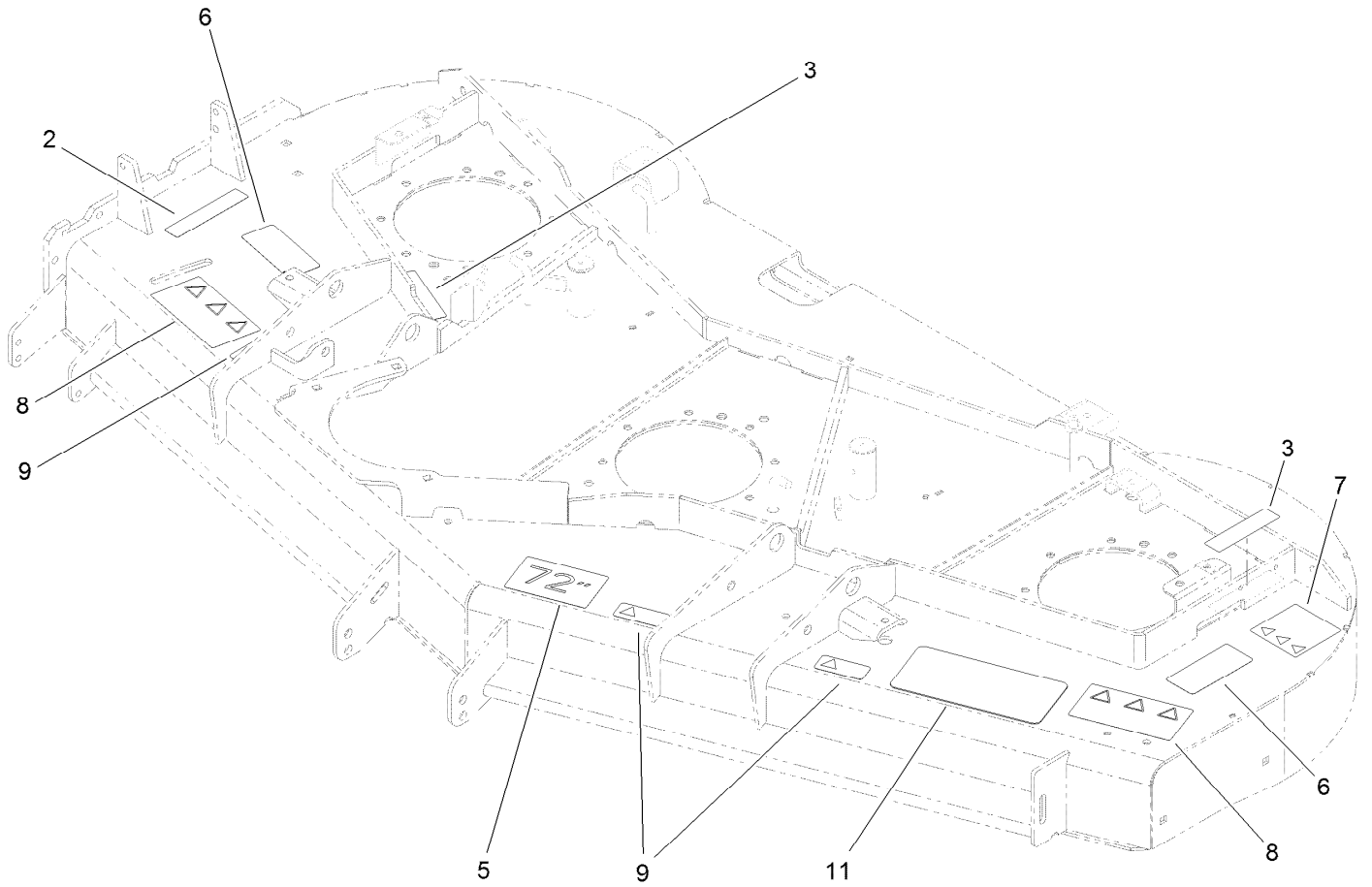
## Roll-Over Protection System and Rear Wheel Assembly

<i>Ref.</i>	<i>Part Number</i>	<i>Qty.</i>	<i>Description</i>
1	110-9770	1	Upper ROPS ASM
1:2	107-3069	1	Decal-Warning, Folding ROPS
2	112-7264	2	Screw-HH
3	32128-23	2	Nut-HF
4	103-4553	2	ROPS Fold Pin ASM
5	110-5696	2	Spring-Leaf
6	3290-412	4	Rivet
7	106-7864	2	Tire And Wheel ASM
7:1	106-7868	1	Tire
7:2	87-6750	1	Wheel
7:3	232-27	1	Stem-Valve



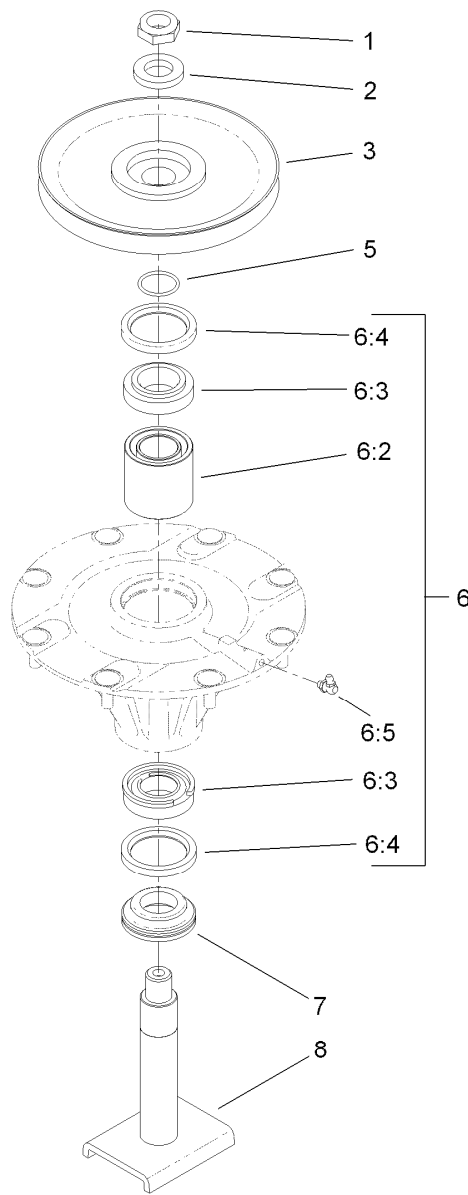
## Deck Spindle, Belt and Pulley Assembly

Ref.	Part Number	Qty.	Description	Ref.	Part Number	Qty.	Description
1	108-9901	1	Deck ASM	25	117-9234	1	Double Spindle ASM
2	100-3102	1	Washer-Flat	26	108-1926	2	Washer
11	01-268-0160	1	Pulley-Idler	27	108-1921	2	Spring-Torsion
15	108-1993	2	Screw-HSBH	28	108-1930	1	Idler Arm ASM
18	119-4778	1	Spindle ASM	28:2	93-4510	2	Bushing-Caster
19	108-1924	2	Spacer-Idler	29	32120-84	2	Ring-Snap, External
20	117-9176	1	Idler Arm ASM	30	302-5	2	Fitting-Grease
20:2	93-4510	2	Bushing-Caster	31	110-9591	1	Belt-V
21	110-9590	1	Belt-V	32	3296-45	2	Nut-Lock, NI
22	107-4767	1	Pulley ASM	40	325-14	1	Screw-HH
23	110-9596	1	Pulley-Idler	41	3218-5	2	Nut-Jam
24	117-9233	1	High Spindle ASM				



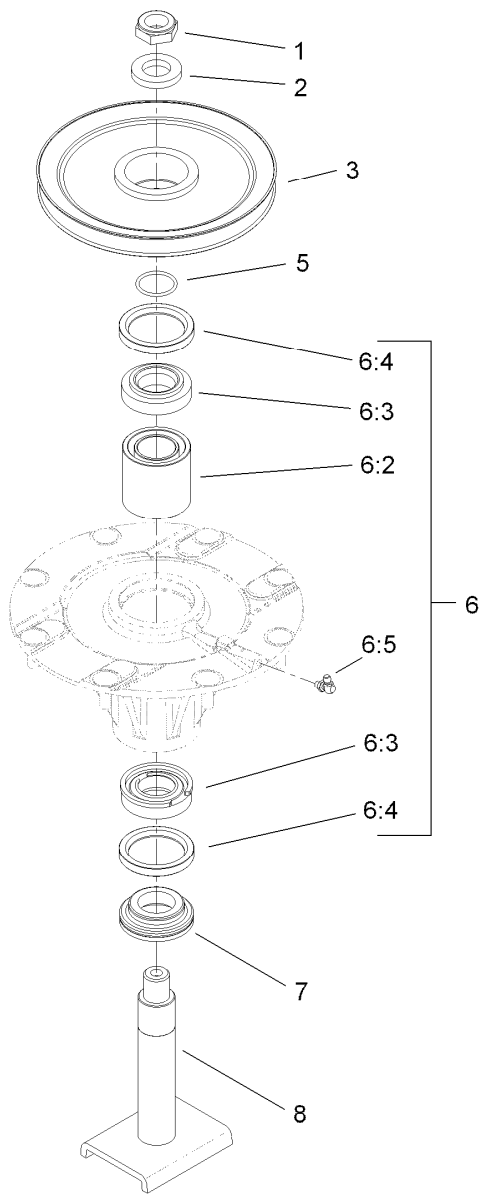
## Deck Decal Assembly No. 108-9901

<i>Ref.</i>	<i>Part Number</i>	<i>Qty.</i>	<i>Description</i>
2	107-2916	1	Decal-Warning
3	117-4979	2	Decal-Warning, Shields (Ce)
5	57-0280	1	Decal
6	93-7818	2	Decal-Torque, Blade Bolt
7	120-6604	1	Decal-Danger
8	107-2908	2	Decal-Danger, Combination
9	93-6696	3	Decal-Warning
11	110-0988	1	Tread-Floor, Side



## Spindle Assembly No. 119-4778

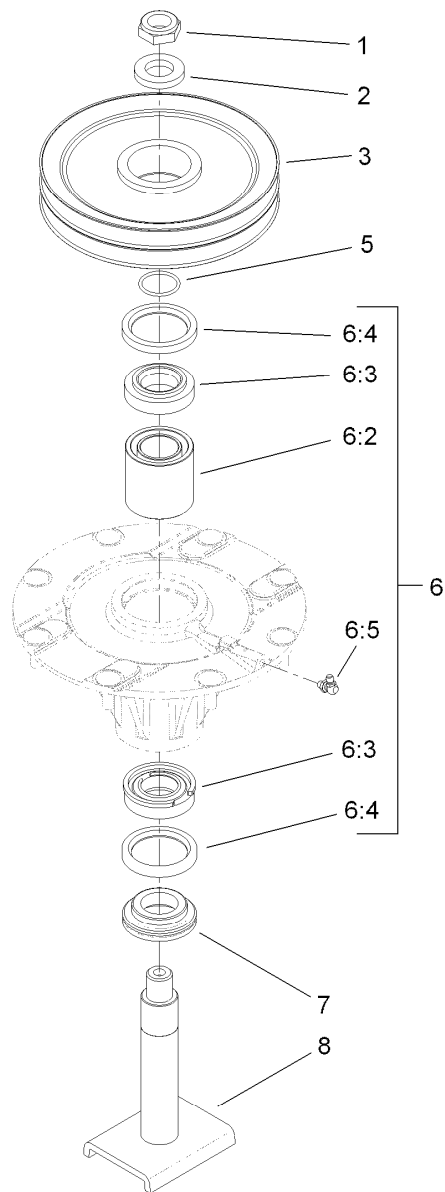
<i>Ref.</i>	<i>Part Number</i>	<i>Qty.</i>	<i>Description</i>
1	3296-60	1	Nut-Lock, NI
2	104-8322	1	Washer-Hardened
3	104-3546	1	Pulley-Driven, Low
5	106-7159	1	O-Ring
6	119-4777	1	Spindle ASM
6:2	108-1954	1	Spacer Set-Bearing
6:3	110-8297	1	Bearing ASM
6:4	253-154	2	Seal-Oil
6:5	302-60	1	Fitting-Grease
7	69-6950	1	Spacer-Shaft, Spindle
8	108-1956	1	Shaft ASM



## High Spindle Assembly No. 117-9233

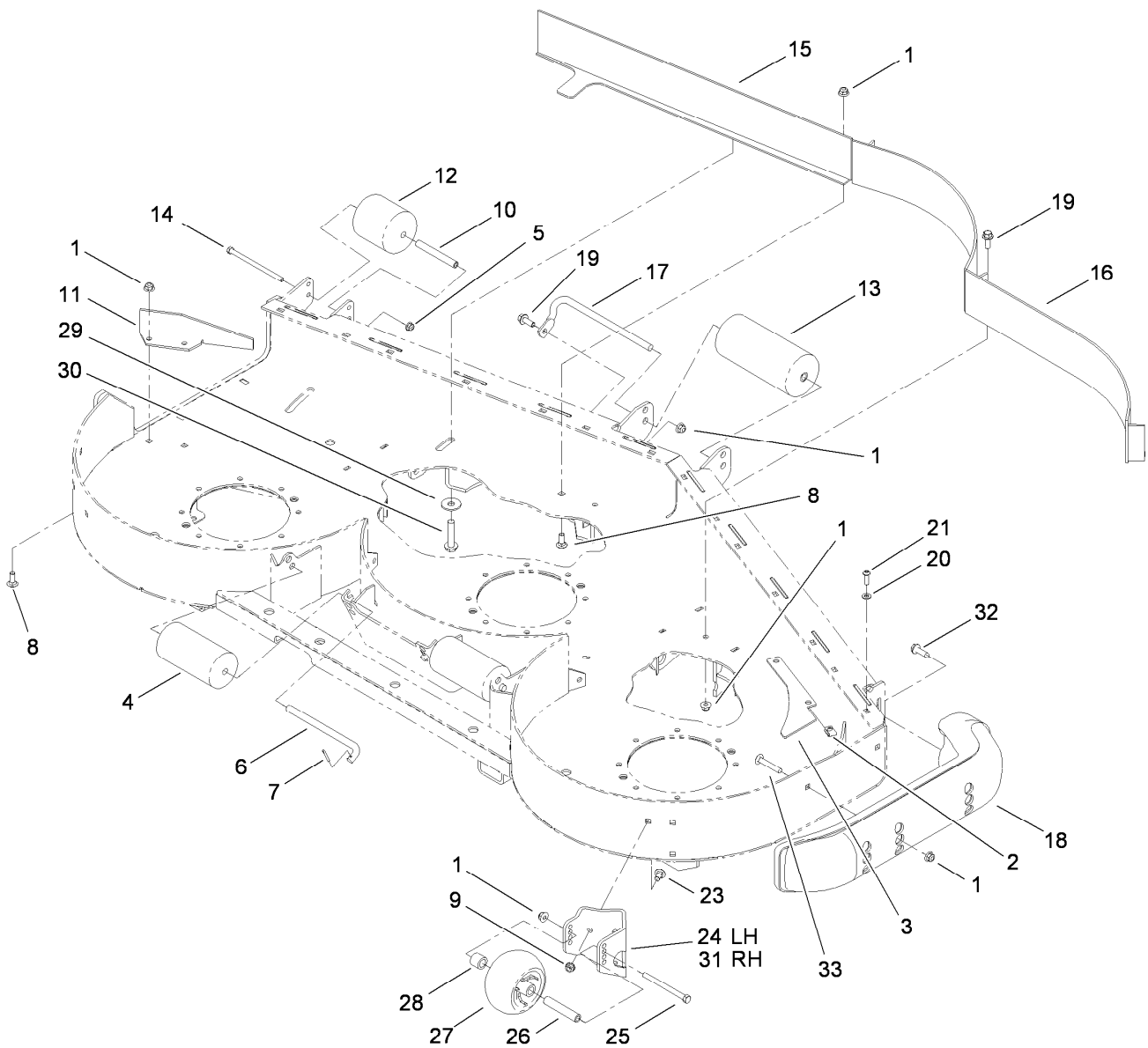
Ref.	Part Number	Qty.	Description
1	3296-60	1	Nut-Lock, NI
2	104-8322	1	Washer-Hardened
3	104-3548	1	Pulley-Driven, High
5	106-7159	1	O-Ring
6	119-4777	1	Spindle ASM
6:2	108-1954	1	Spacer Set-Bearing
6:3	110-8297	1	Bearing ASM
6:4	253-154	2	Seal-Oil
6:5	302-60	1	Fitting-Grease
7	69-6950	1	Spacer-Shaft, Spindle
8	108-1956	1	Shaft ASM





## Double Spindle Assembly No. 117-9234

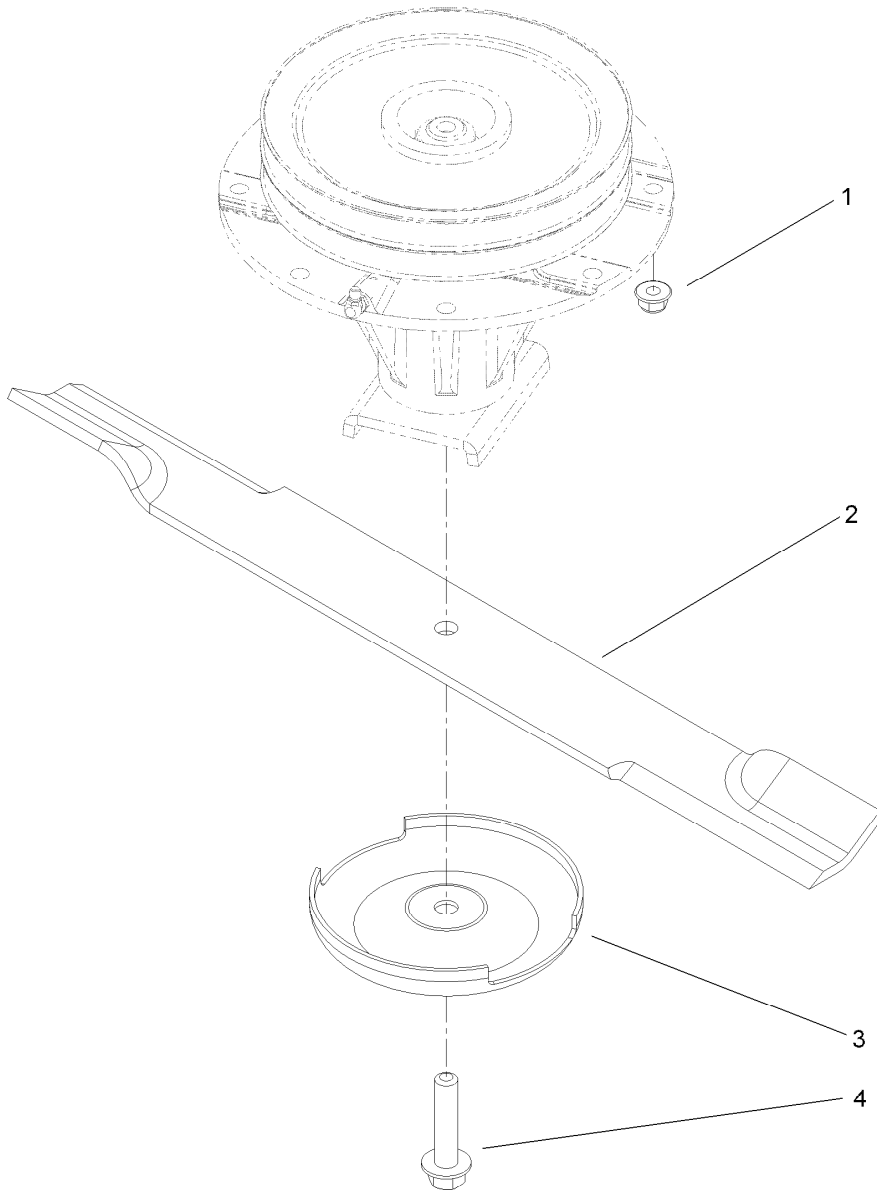
<i>Ref.</i>	<i>Part Number</i>	<i>Qty.</i>	<i>Description</i>
1	3296-60	1	Nut-Lock, NI
2	104-8322	1	Washer-Hardened
3	104-3547	1	Pulley-Driven, Double
5	106-7159	1	O-Ring
6	119-4777	1	Spindle ASM
6:2	108-1954	1	Spacer Set-Bearing
6:3	110-8297	1	Bearing ASM
6:4	253-154	2	Seal-Oil
6:5	302-60	1	Fitting-Grease
7	69-6950	1	Spacer-Shaft, Spindle
8	108-1956	1	Shaft ASM



## Roller and Baffle Assembly

Ref.	Part Number	Qty.	Description
1	104-8301	11	Nut-Flange, NI
2	112-3306	2	Nut
3	115-1396	1	Plate-Turbo
4	36-1740	2	Roller-Deck
5	104-8300	1	Nut-Flange, NI
6	40-0340	2	Shaft-Roller, Rear
7	3272-11	2	Pin-Cotter
8	3231-2	3	Screw-CARR
9	3290-357	6	Nut-HHF, Whiz
10	105-4549	1	Spacer-Roller
11	106-3216-01	1	Baffle-Discharge
12	93-4803	1	Roller-Deck
13	68-6710	1	Roller
14	322-49	1	Bolt-HH
15	105-7669-01	1	Baffle ASM
16	105-7730-01	1	Baffle ASM

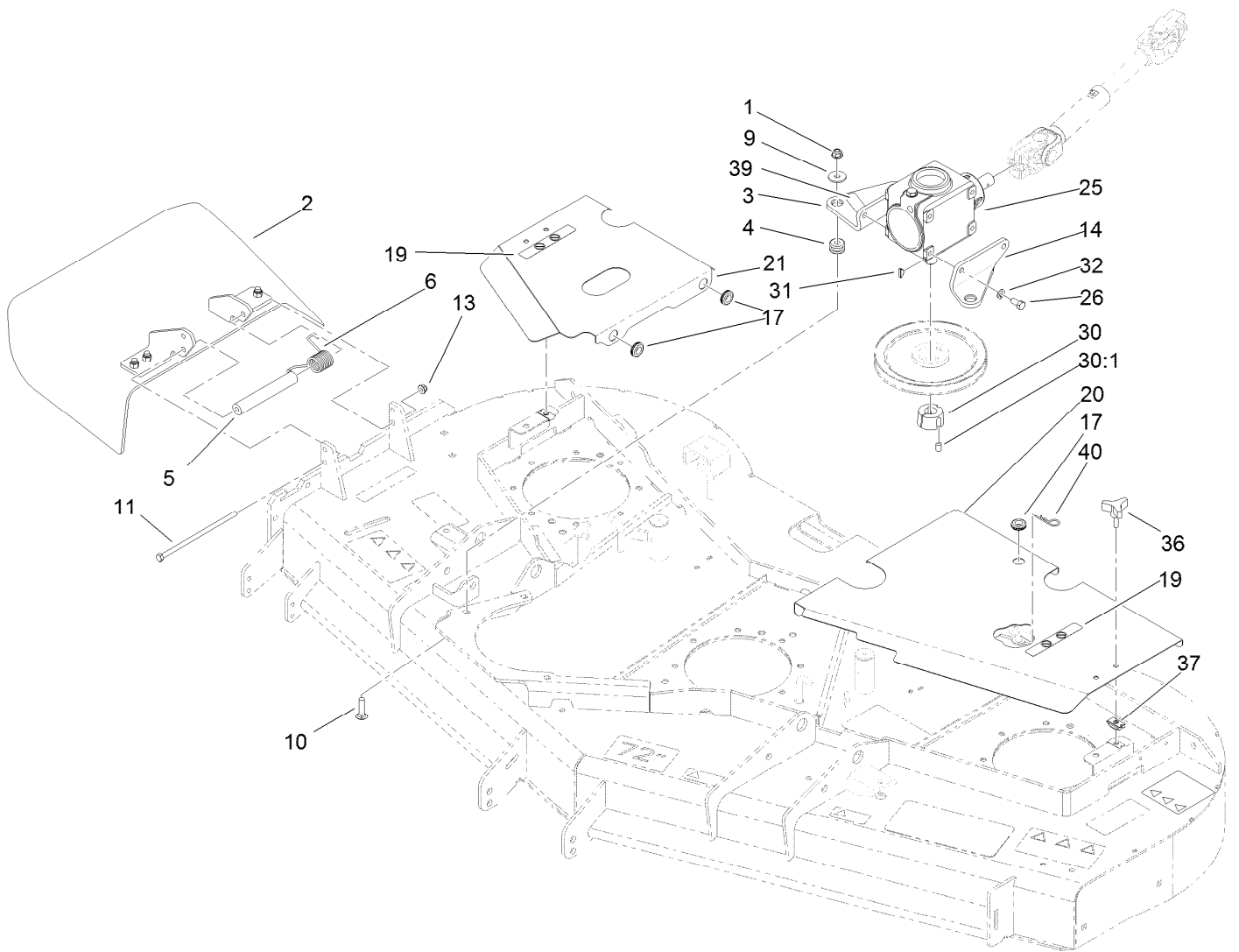
Ref.	Part Number	Qty.	Description
17	68-6840	1	Shaft-Roller
18	112-1479	1	Skid-Bumper, Deck
19	3234-42	4	Screw-HHF
20	3256-23	2	Washer-Flat
21	3274-104	2	Screw-HSBH
23	3231-1	6	Screw-CARR
24	106-7354-01	1	Mount-Wheel, LH
25	323-23	2	Screw-HH
26	98-7912	2	Tube-Spanner
27	1-603299	2	Roller-Scalp, Anti
28	98-7913	2	Tube-Spacer
29	105-7697	2	Washer-Plastic
30	3234-46	2	Screw-HHF
31	106-7355-01	1	Mount-Wheel, RH
32	9136144	1	Screw-HWHTF
33	3231-33	2	Screw-CARR



## Blade Assembly

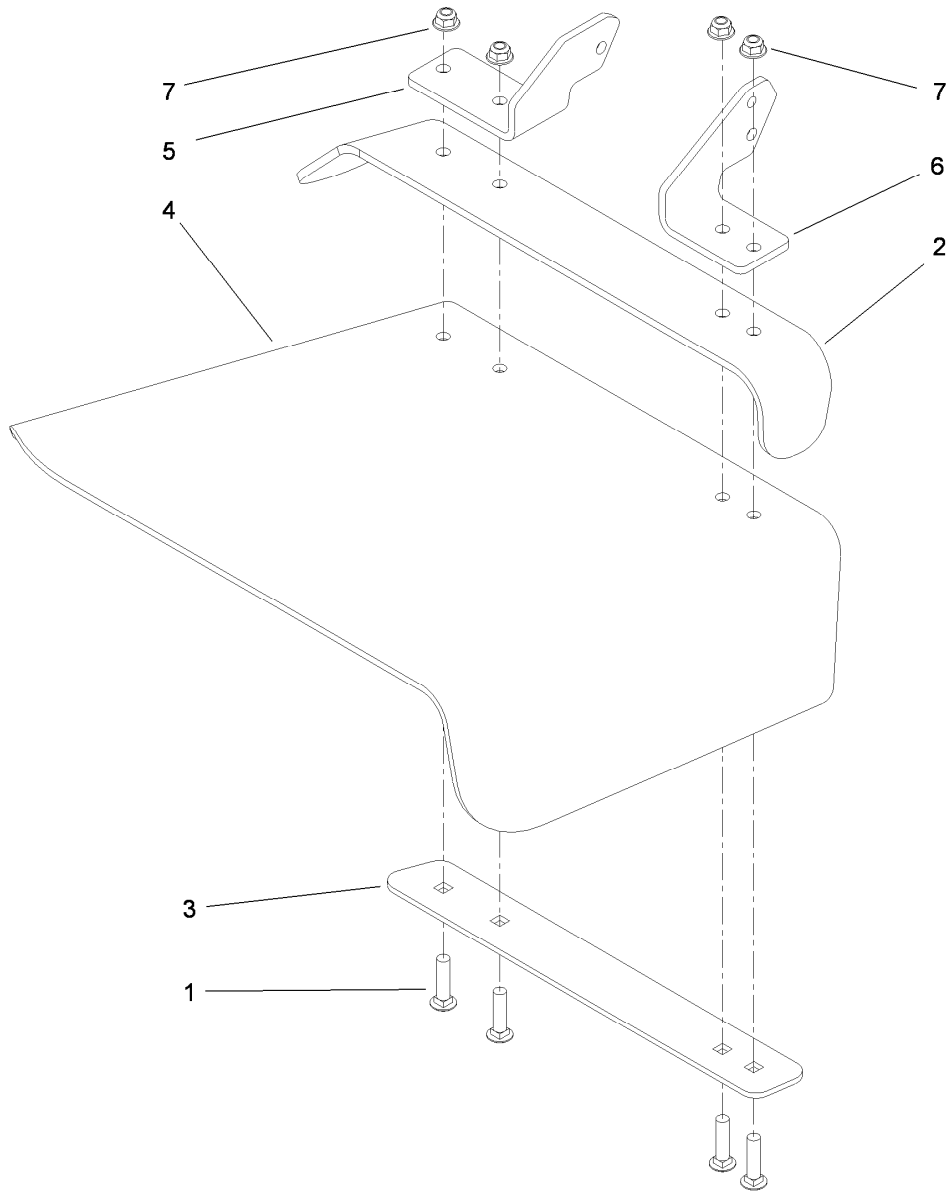
<i>Ref.</i>	<i>Part Number</i>	<i>Qty.</i>	<i>Description</i>
1	104-8301	24	Nut-Flange, NI
2	110-0621-03	3	Blade-Medium Flow
2	110-0622-03	3	Blade-Rotary, High Flow (24.5) ●
2	110-0624-03	3	Blade-Rotary, Atomic (24.5) ●
3	72-9361	3	Cup-Scalp, Anti
4	92-5816	3	Bolt-Blade

● Optional Equipment



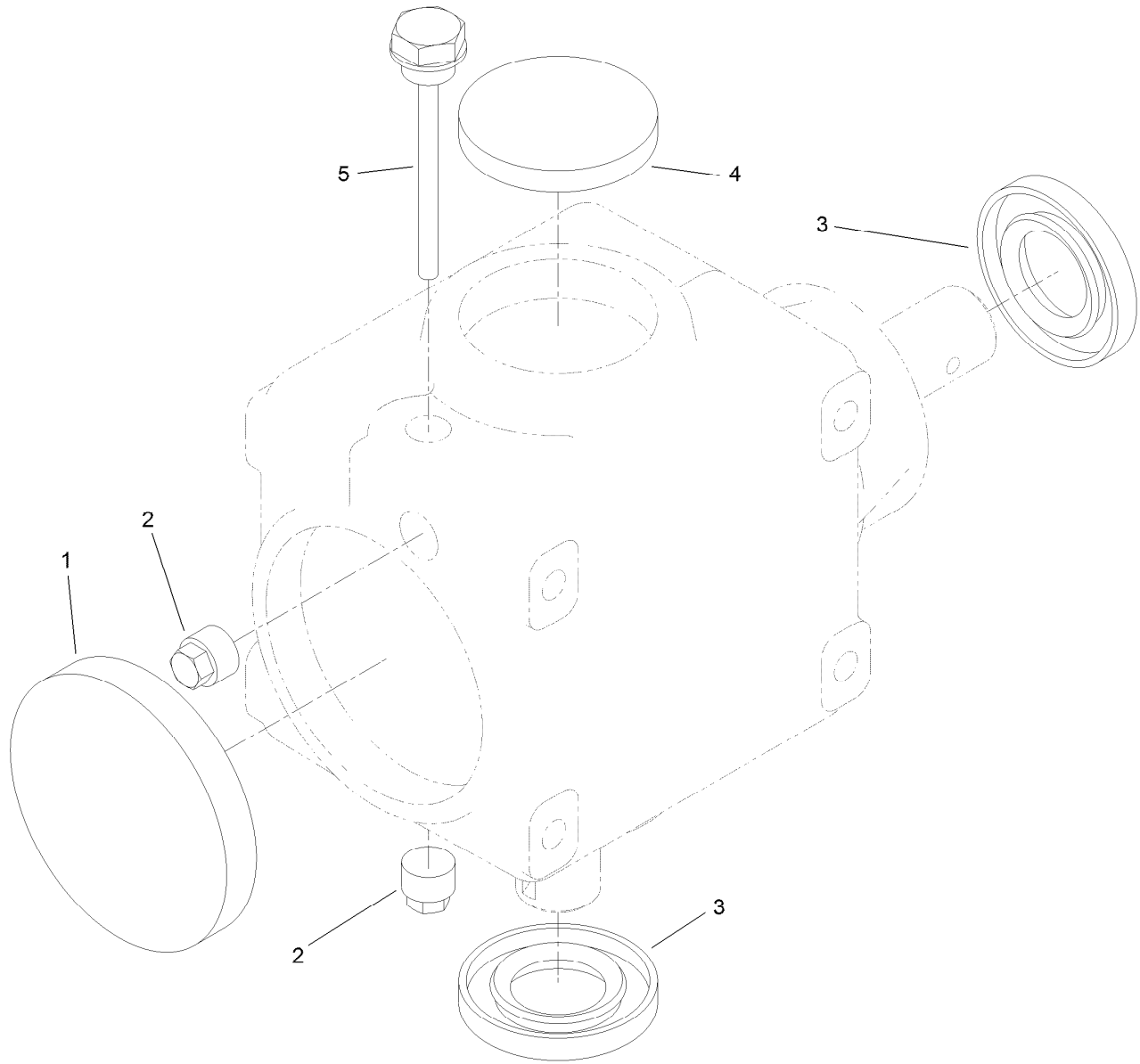
## Belt Cover, Gearbox and Baffle Assembly

<i>Ref.</i>	<i>Part Number</i>	<i>Qty.</i>	<i>Description</i>	<i>Ref.</i>	<i>Part Number</i>	<i>Qty.</i>	<i>Description</i>
1	104-8301	3	Nut-Flange, NI	20	112-1455-03	1	Cover-Deck, LH
2	108-2792	1	Rubber Deflector ASM	21	112-1456-03	1	Cover-Deck, RH
3	110-6385-03	1	Bracket-Gearbox, RH	25	117-9245-03	1	Gearbox ASM
4	63-9750	3	Mount	26	323-4	4	Screw-HH
5	105-4622	1	Spacer	30	23-1640	1	Bushing-Taperlock
6	108-4052	1	Spring-Torsion	30:1	3247-4	2	Screw-Set
9	63-8410	3	Washer	31	3257-5	1	Key-Woodruff
10	3231-26	3	Screw-CARR	32	3253-21	4	Washer-Lock
11	112-9557	1	Screw-HH	36	106-2240	2	Knob
13	104-8300	1	Nut-Flange, NI	37	110-3510	2	Nut-Retainer
14	110-6384-03	1	Bracket-Gearbox, LH	39	93-6697	1	Decal-Lube
17	112-9559	4	Grommet	40	9335054	1	Pin-Hair
19	93-6687	2	Decal-No Step				



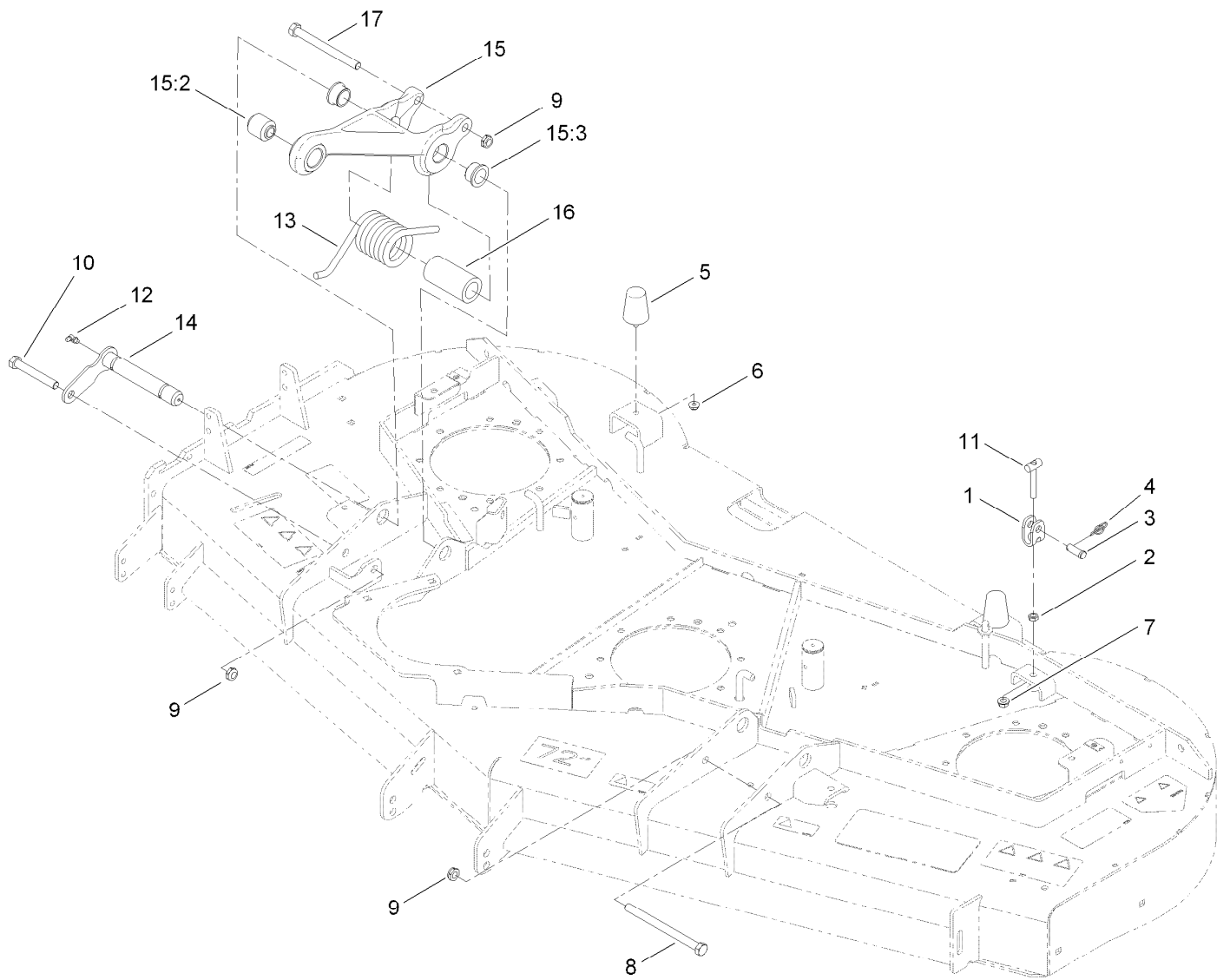
## Rubber Deflector Assembly No. 108-2792

<i>Ref.</i>	<i>Part Number</i>	<i>Qty.</i>	<i>Description</i>
1	3231-4	4	Screw-CARR
2	106-3246-01	1	Deflector
3	106-3248-03	1	Strap-Discharge
4	108-5029	1	Deflector-Rubber
5	108-4059-01	1	Plate-Hinge, Rear
6	106-3253-01	1	Plate-Hinge, Front
7	104-8301	4	Nut-Flange, NI



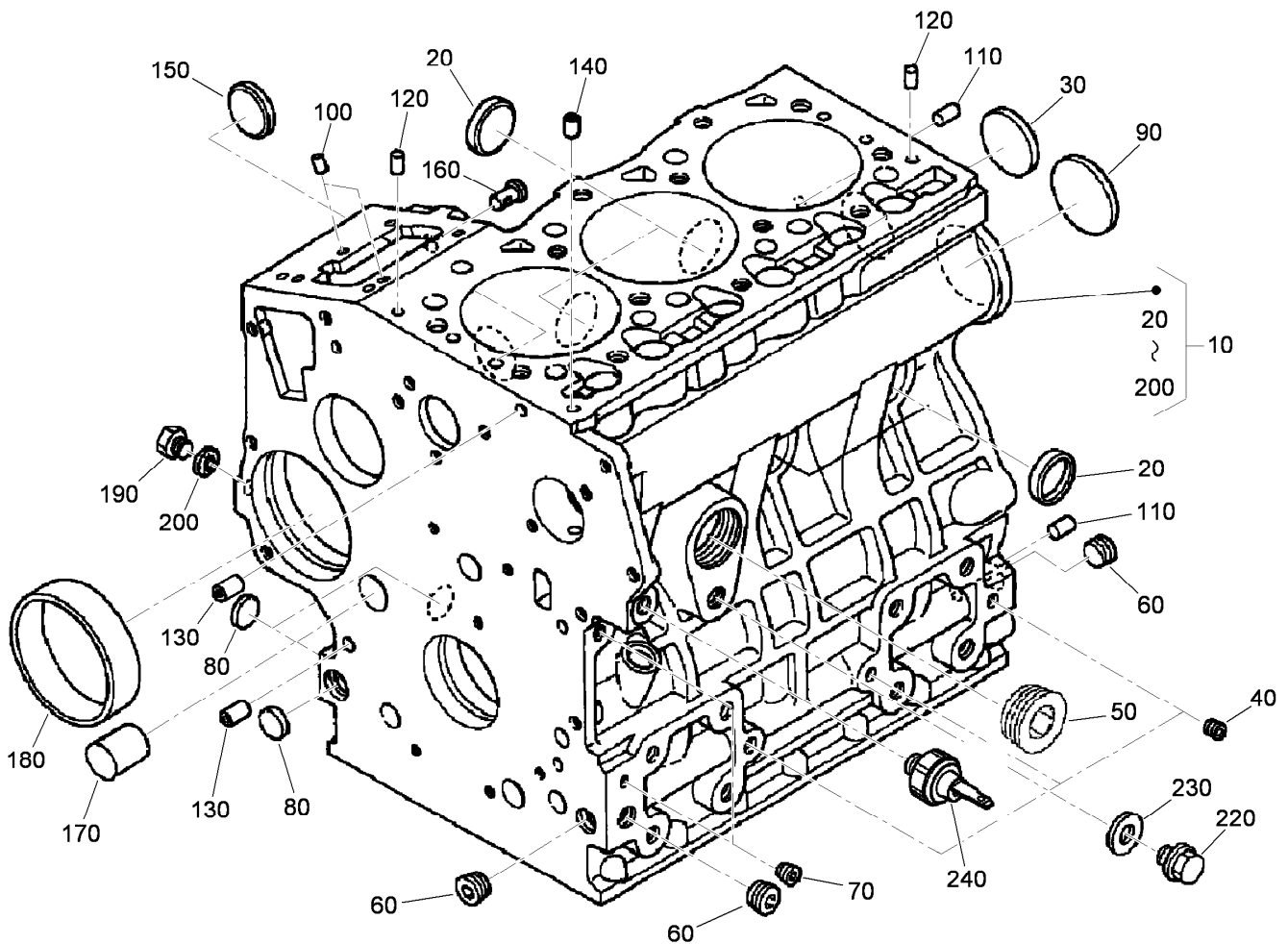
## Gearbox Assembly No. 117-9245-03

<i>Ref.</i>	<i>Part Number</i>	<i>Qty.</i>	<i>Description</i>
1	107-2932	1	Cap-Oil
2	107-2933	2	Plug
3	117-9247	2	Seal
4	107-2935	1	Cap-Oil
5	110-8283	1	Plug-Filler, Dipstick



## Adjustment Link and Bumper Assembly

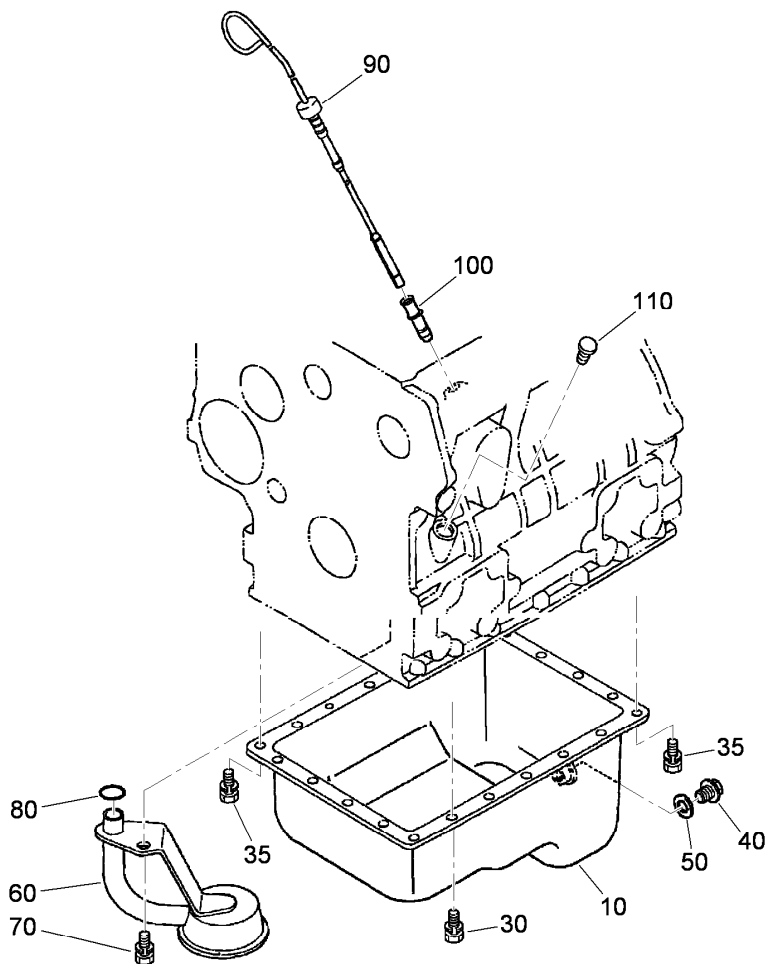
<i>Ref.</i>	<i>Part Number</i>	<i>Qty.</i>	<i>Description</i>	<i>Ref.</i>	<i>Part Number</i>	<i>Qty.</i>	<i>Description</i>
1	115-1429	4	Yoke-Clevis	11	115-1431	4	T-Bar ASM
2	3218-3	4	Nut-Jam	12	302-60	4	Fitting-Grease
3	700601	4	Pin-Clevis	13	110-9828	2	Spring-Torsion
4	112-1491	4	Pin-Cotter, Rue Ring	14	112-1622	2	Pin
5	110-5070	2	Bumper-Neoprene	15	112-1625	2	Pull Link ASM
6	104-8300	2	Nut-Flange, NI	15:2	107-2328	1	Bushing
7	3290-357	4	Nut-HHF, Whiz	15:3	114-5680	2	Bushing-Flange
8	325-33	1	Screw-HH	16	110-9845	2	Spacer-Plain
9	3296-45	4	Nut-Lock, NI	17	325-22	2	Screw-HH
10	325-14	1	Screw-HH				



## Crankcase Assembly

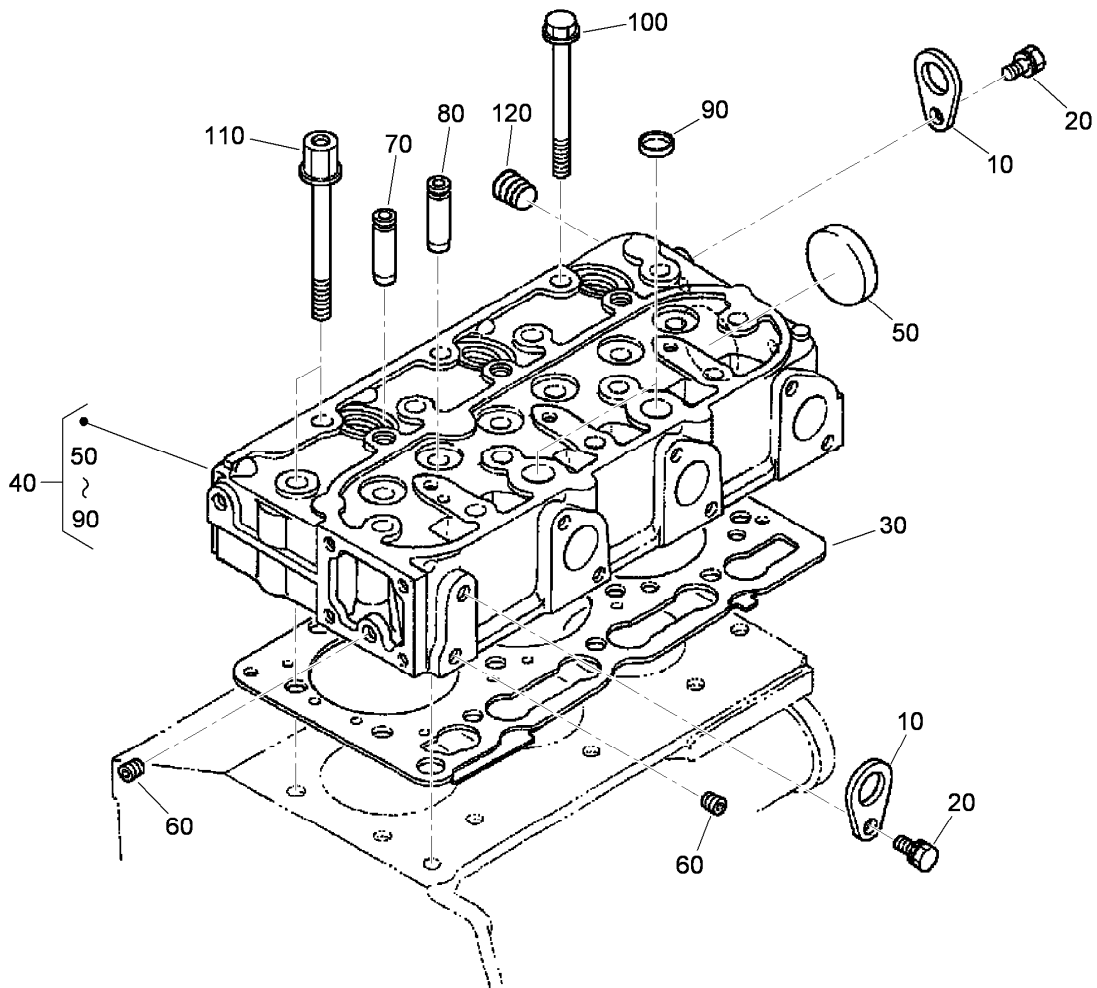
<i>Ref.</i>	<i>Part Number</i>	<i>Qty.</i>	<i>Description</i>
10	108-6571	1	Crankcase ASM
20	98-9398	4	Cap-Sealing
30	98-7539	1	Cap-Sealing
40	98-7540	3	Plug
50	105-3779	1	Plug
60	98-9597	3	Plug
70	98-7487	2	Plug
80	98-9379	3	Plug-Expansion
90	98-9668	1	Plug-Expansion
100	98-9375	2	Pin-Straight
110	98-9377	2	Pin-Straight
120	98-9376	2	Pin-Straight
130	98-9387	2	Pin-Pipe
140	98-9539	1	Pin-Pipe
150	98-9599	1	Plug
160	98-9630	1	Pin-Spring, Start
170	98-9675	1	Plug
180	98-9656	1	Bushing-Governor, Gear
190	98-7507	1	Plug
200	98-7428	1	Gasket
220	99-3447	1	Plug
230	106-7056	1	Gasket
240	98-9416	1	Switch-Oil





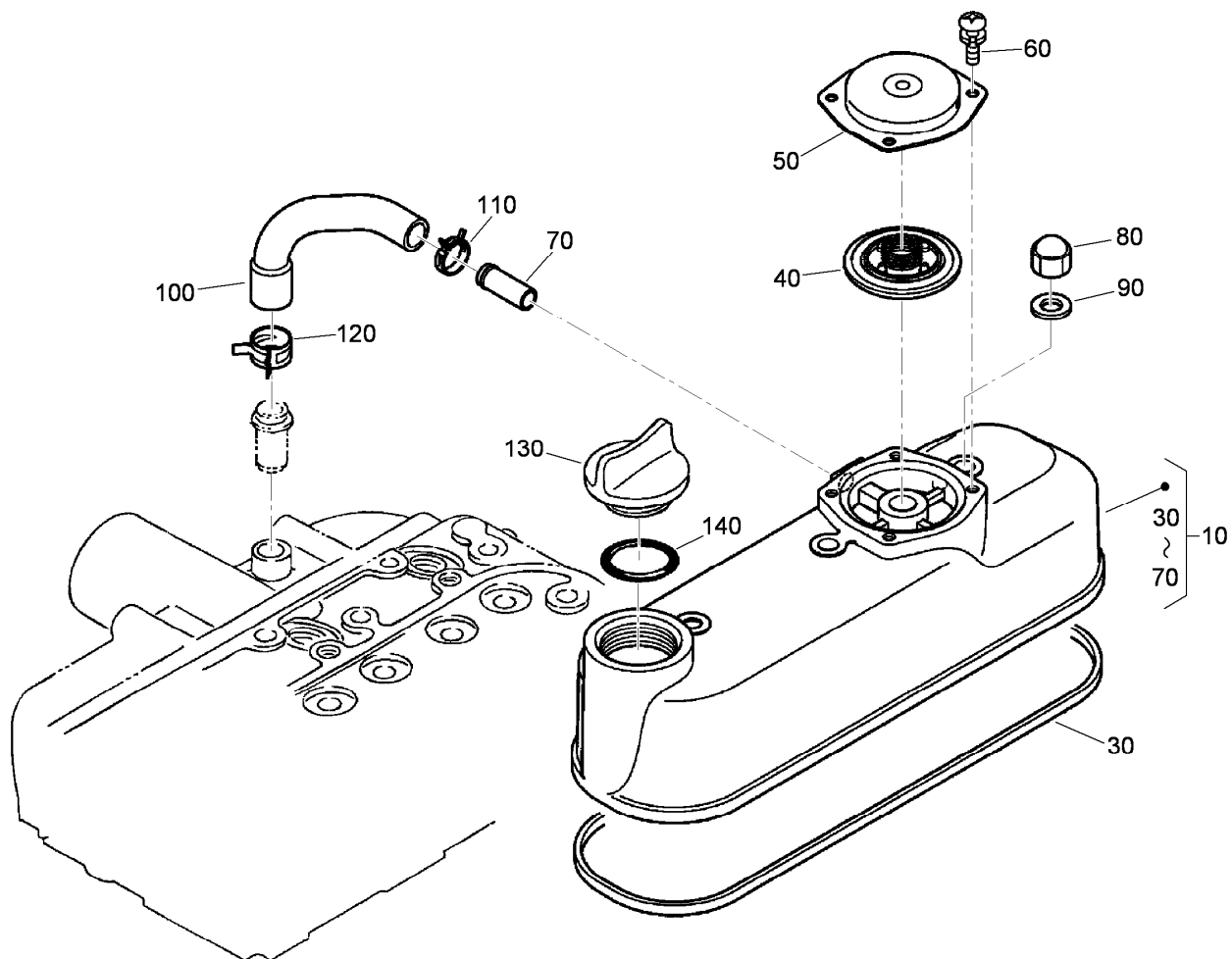
## Dipstick, Guide and Oil Pump Assembly

<i>Ref.</i>	<i>Part Number</i>	<i>Qty.</i>	<i>Description</i>
10	112-0179	1	Pan-Oil
30	98-9351	20	Bolt
35	98-9351	2	Bolt
40	114-8151	1	Plug-Drain
50	98-7524	1	Gasket
60	112-7044	1	*obs* Head-Filter
70	98-7526	1	Bolt
80	105-3776	1	O-Ring
90	107-9076	1	Gauge-Oil
100	105-4580	1	Guide-Gauge, Oil
110	100-9169	1	*obs* Plug-Gauge, Oil



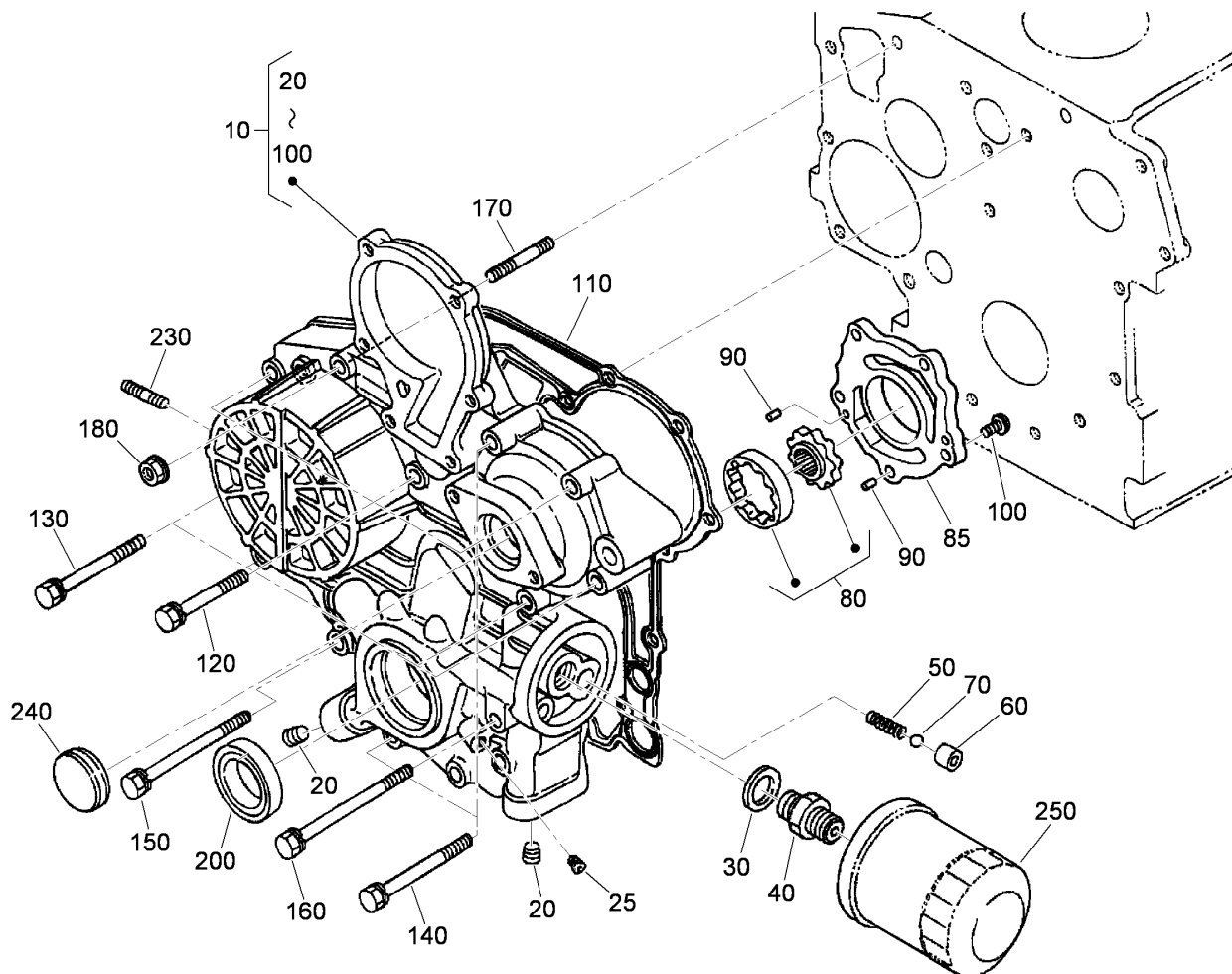
## Cylinder Head Assembly

<i>Ref.</i>	<i>Part Number</i>	<i>Qty.</i>	<i>Description</i>
10	98-7531	2	Hook-Engine
20	100-9195	2	Bolt
30	108-6573	1	Gasket-Head, Cylinder
40	115-3445	1	Cylinder Head ASM
50	105-3705	1	Cap-Sealing
60	98-7540	2	Plug
70	107-9066	3	Guide-Valve, Inlet
80	107-9067	3	Guide-Valve, Exhaust
90	98-9389	2	Cap-Sealing
100	98-9479	12	Bolt-Head, Cylinder
110	98-9647	2	Bolt-Head, Cylinder
120	98-9444	1	Plug



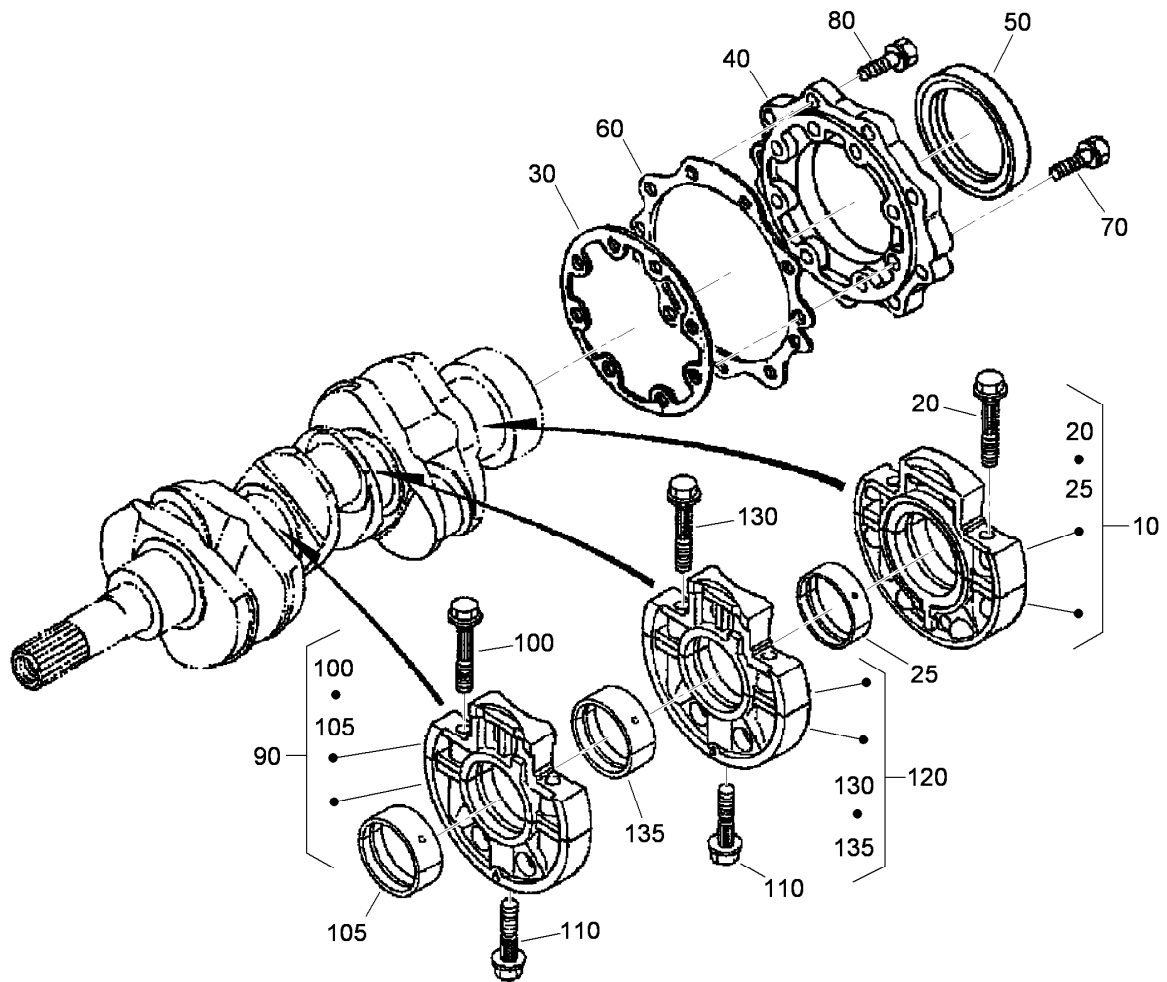
## Cylinder Head Cover Assembly

<i>Ref.</i>	<i>Part Number</i>	<i>Qty.</i>	<i>Description</i>
10	115-3446	1	Cylinder Head Cover ASM
30	98-9615	1	Gasket-Cover, Head
40	110-3715	1	Valve-Breather
50	110-3714	1	Cover-Breather
60	98-9364	4	Screw (With Washer)
70	98-7766	1	Pipe-Return, Water
80	98-9455	3	Nut-Cap
90	98-9454	3	Gasket
100	108-2858	1	Tube-Breather
110	108-2859	1	Clamp-Hose
120	108-2860	1	Clamp-Hose
130	107-9075	1	Plug-Filler, Oil
140	99-3446	1	O-Ring



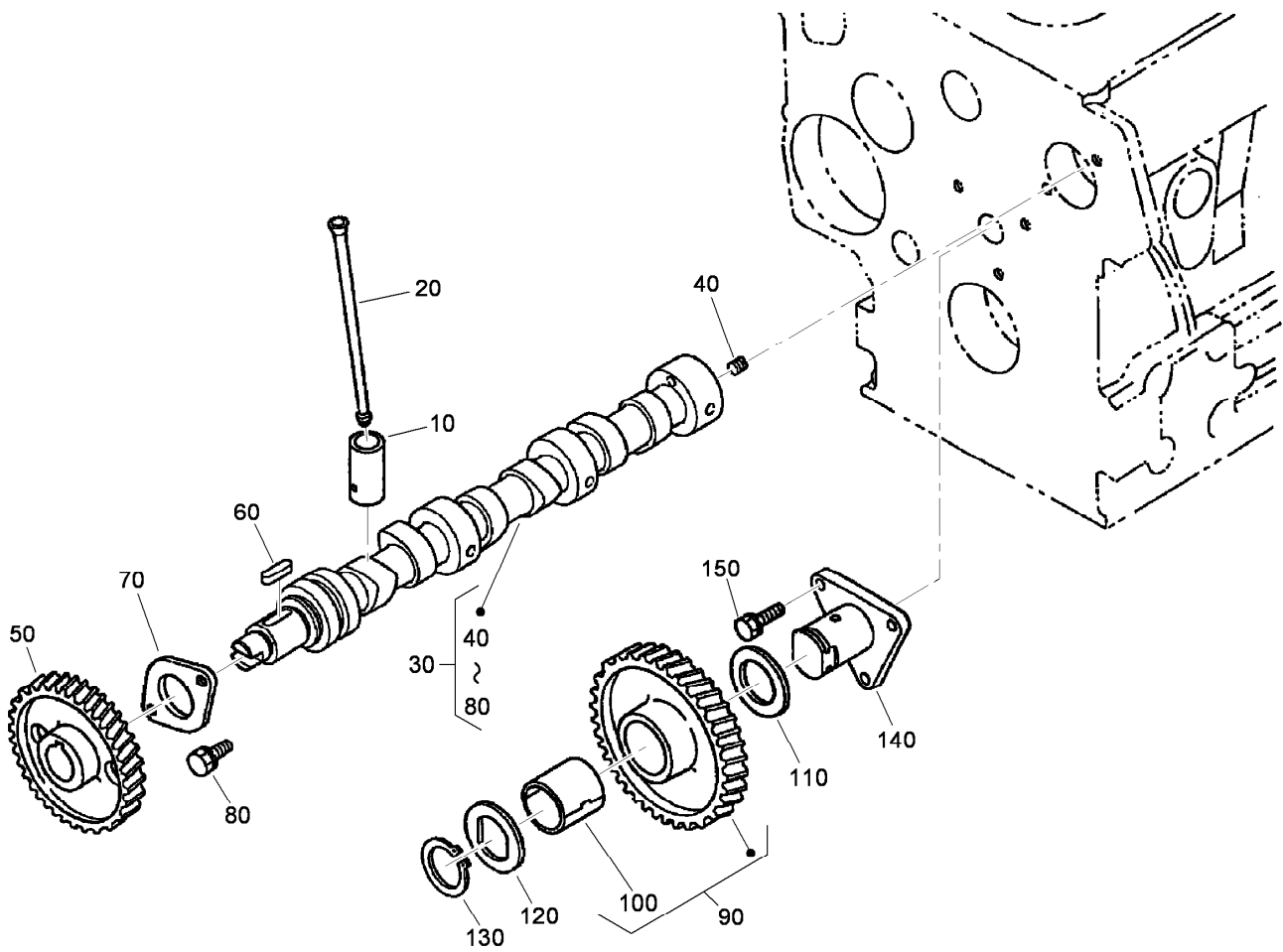
## Gear Case and Oil Filter Cartridge Assembly

<i>Ref.</i>	<i>Part Number</i>	<i>Qty.</i>	<i>Description</i>
10	115-4105	1	Gear Case ASM
20	98-9598	2	Plug
25	98-7487	1	Plug
30	98-7562	1	Washer-Plain
40	98-9388	1	Joint-Pipe
50	98-9544	1	Spring
60	98-9543	1	Seat-Valve
70	98-9380	1	Ball
80	98-9540	1	Oil Pump Rotor ASM
85	107-9069	1	Cover-Pump, Oil
90	107-9072	2	Pin-Straight
100	107-9071	5	Screw
110	98-9633	1	Gasket-Case, Gear
120	98-7496	3	Bolt
130	105-3797	4	Bolt
140	98-9356	4	Bolt
150	107-9074	1	Bolt
160	98-9586	1	Bolt
170	105-3709	1	Stud
180	100-2203	1	Nut-Flange
200	98-9482	1	Seal-Oil
230	105-3710	2	Stud
240	98-9641	1	Cover-Case, Gear
250	108-3841	1	Filter-Oil



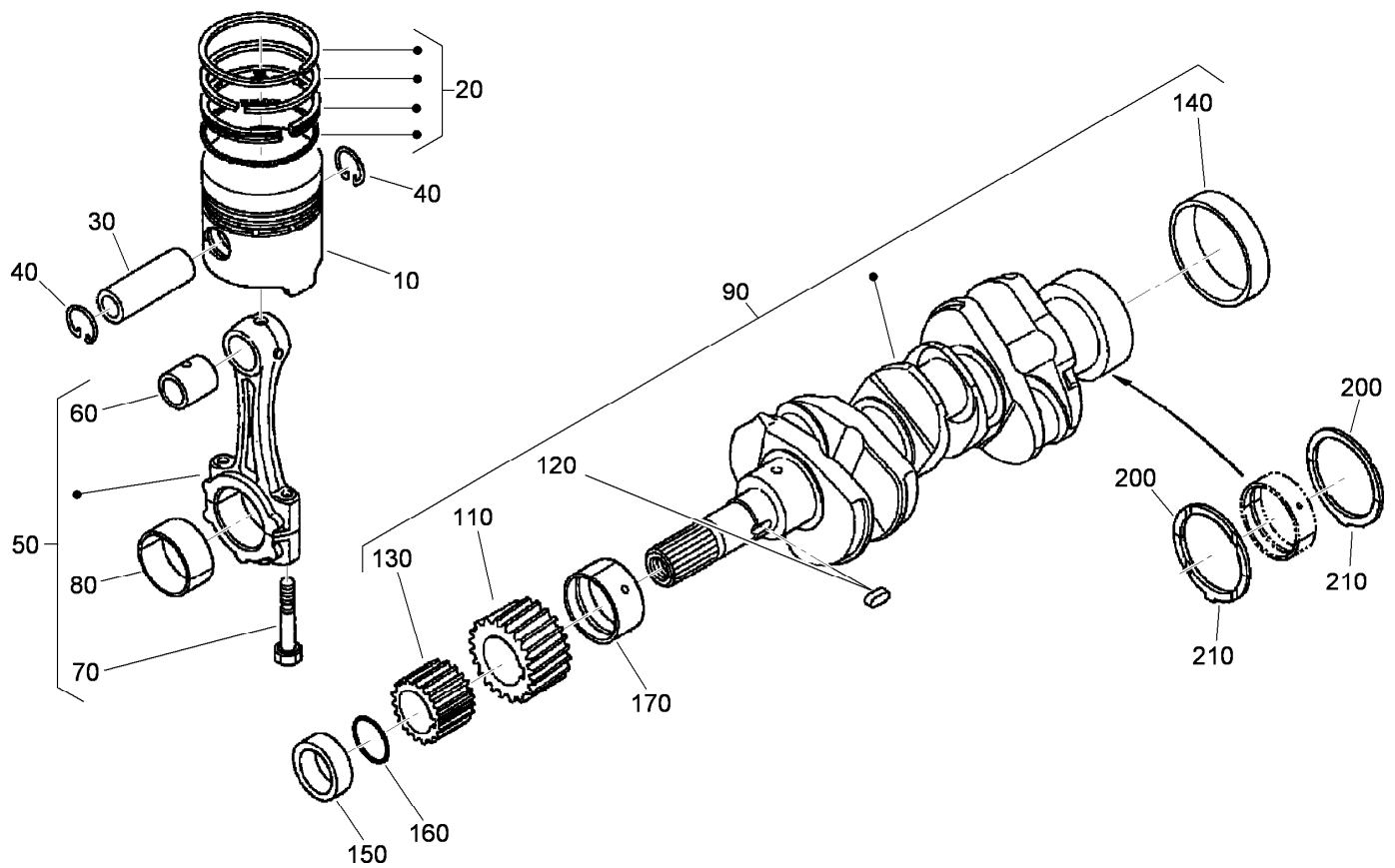
## Main Bearing Case Assembly

<i>Ref.</i>	<i>Part Number</i>	<i>Qty.</i>	<i>Description</i>
10	112-7026	1	Wheel Bearing Case ASM
20	98-9484	2	Bolt-Case, Bearing
25	112-7045	1	Metal-Crankshaft
25	112-7039	1	Metal-Crankshaft (0.2Mm)
25	112-7040	1	Metal-Crankshaft (-0.4Mm)
30	98-9634	1	Gasket-Case, Bearing
40	112-7046	1	Cover-Case, Bearing
50	112-0180	1	Seal-Oil
60	112-7037	1	Gasket-Cover, Case
70	98-9352	8	Bolt
80	98-7568	9	Bolt
90	115-4106	1	Main Bearing Case ASM
100	98-9484	2	Bolt-Case, Bearing
105	98-9524	1	Metal-Crankshaft (STD Set)
105	98-9530	1	Bearing-Main (0.2Mm)
105	98-9531	1	Bearing-Main (0.4Mm)
110	98-9485	2	Bolt-Case, Bearing
120	115-4107	1	Main Bearing Case ASM
130	98-9484	2	Bolt-Case, Bearing
135	98-9524	1	Metal-Crankshaft (STD Set)
135	98-9530	1	Bearing-Main (0.2Mm)
135	98-9531	1	Bearing-Main (0.4Mm)



## Camshaft and Idle Gear Shaft Assembly

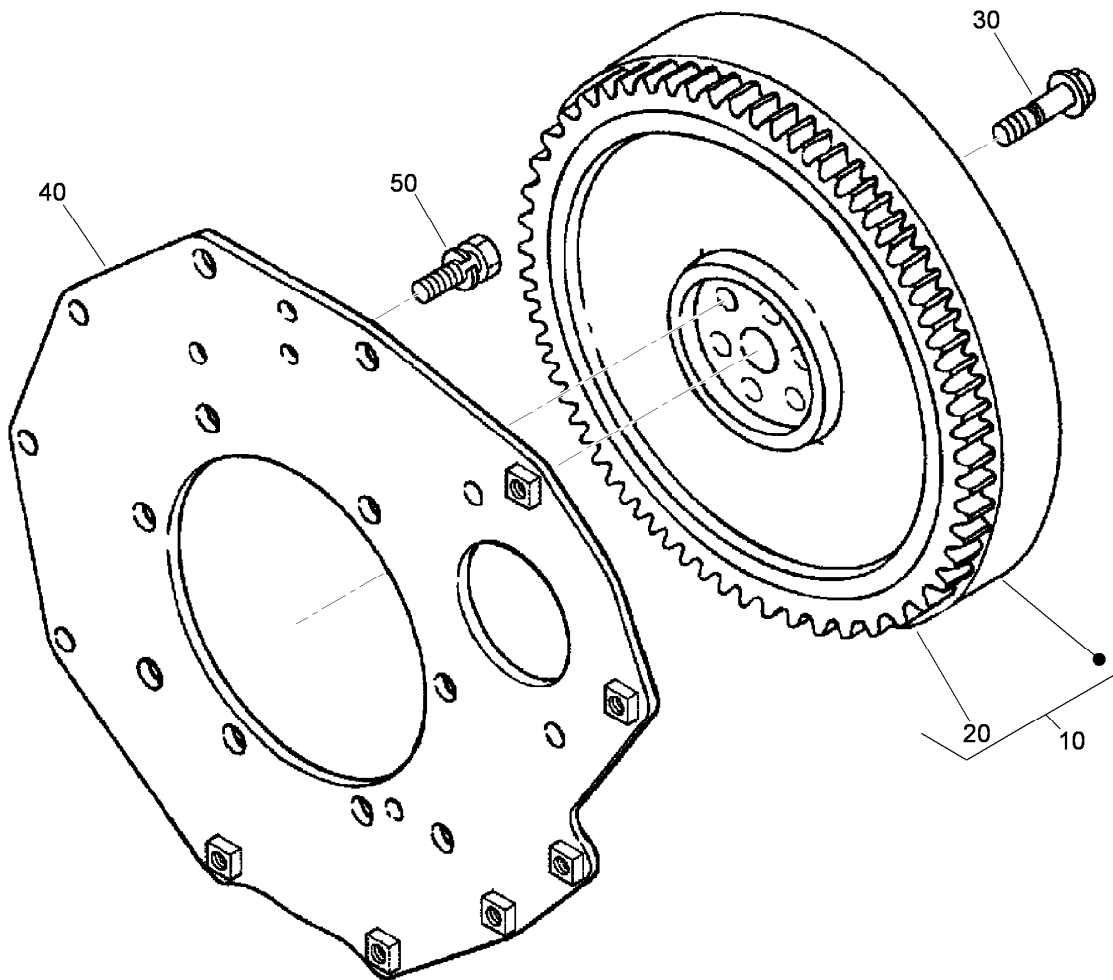
<i>Ref.</i>	<i>Part Number</i>	<i>Qty.</i>	<i>Description</i>
10	112-0185	6	Tappet
20	98-9509	6	Rod-Push
30	108-6576	1	Camshaft ASM
40	98-7449	1	Screw-Set
50	98-9512	1	Gear-Cam
60	98-9378	1	Key-Feather
70	98-9510	1	Stopper-Camshaft
80	98-7692	2	Bolt
90	98-9649	1	Idle Gear ASM
100	98-9650	1	Bushing-Gear, Idle
110	98-9535	1	Collar-Gear, Idle
120	98-9536	1	Collar-Gear, Idle
130	98-9534	1	Circlip-Gear, Idle
140	98-9533	1	Shaft-Gear, Idle
150	98-7692	3	Bolt



## Piston and Crankshaft Assembly

<i>Ref.</i>	<i>Part Number</i>	<i>Qty.</i>	<i>Description</i>
10	112-8404	3	Piston (STD)
10	112-8414	3	Piston (+0.5Mm)
20	98-9551	3	Piston Ring ASM (STD)
20	108-1404	3	Piston Ring ASM (0.5Mm)
30	98-9513	3	Pin-Piston
40	98-9514	6	Circlip-Pin, Piston
50	115-3013	3	Connecting Rod ASM
60	115-3014	3	Bushing-Pin, Piston
70	98-9517	6	Bolt-Rod, Connecting
80	98-9518	3	Metal-Crankpin (STD)
80	98-9519	3	Bearing-Rod (0.2Mm)
80	98-9520	3	Bearing-Rod (0.4Mm)
90	98-9642	1	Crankshaft ASM
110	98-9532	1	Gear-Crankshaft

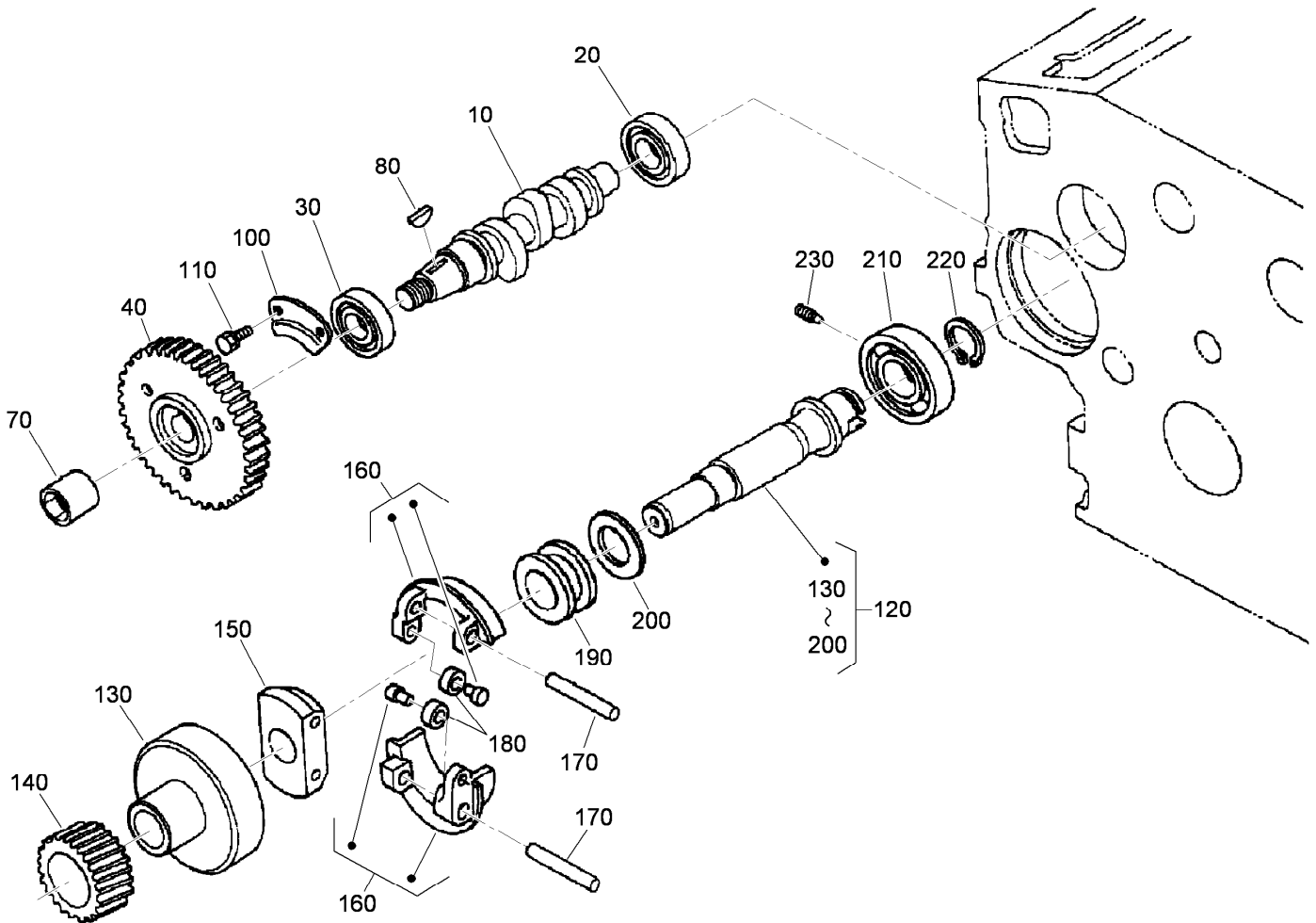
<i>Ref.</i>	<i>Part Number</i>	<i>Qty.</i>	<i>Description</i>
120	98-9666	1	Key
130	98-9542	1	Gear-Drive, Oil Pump
140	98-9522	1	Sleeve-Crankshaft
150	98-9521	1	Collar-Crankshaft
160	105-3783	1	O-Ring
170	98-9523	1	Metal Crankshaft (STD)
170	98-9528	1	Bearing-Main (0.2Mm)
170	98-9529	1	Bearing-Main (0.4Mm)
200	98-9413	2	Bearing-Thrust (STD)
200	98-9414	2	Bearing-Thrust (0.2Mm)
200	98-9415	2	Bearing-Thrust (0.4Mm)
210	98-9688	2	Bearing-Thrust (STD)
210	98-9689	2	Bearing-Thrust (0.2Mm)
210	98-9690	2	Bearing-Thrust (0.4Mm)



## Flywheel Assembly

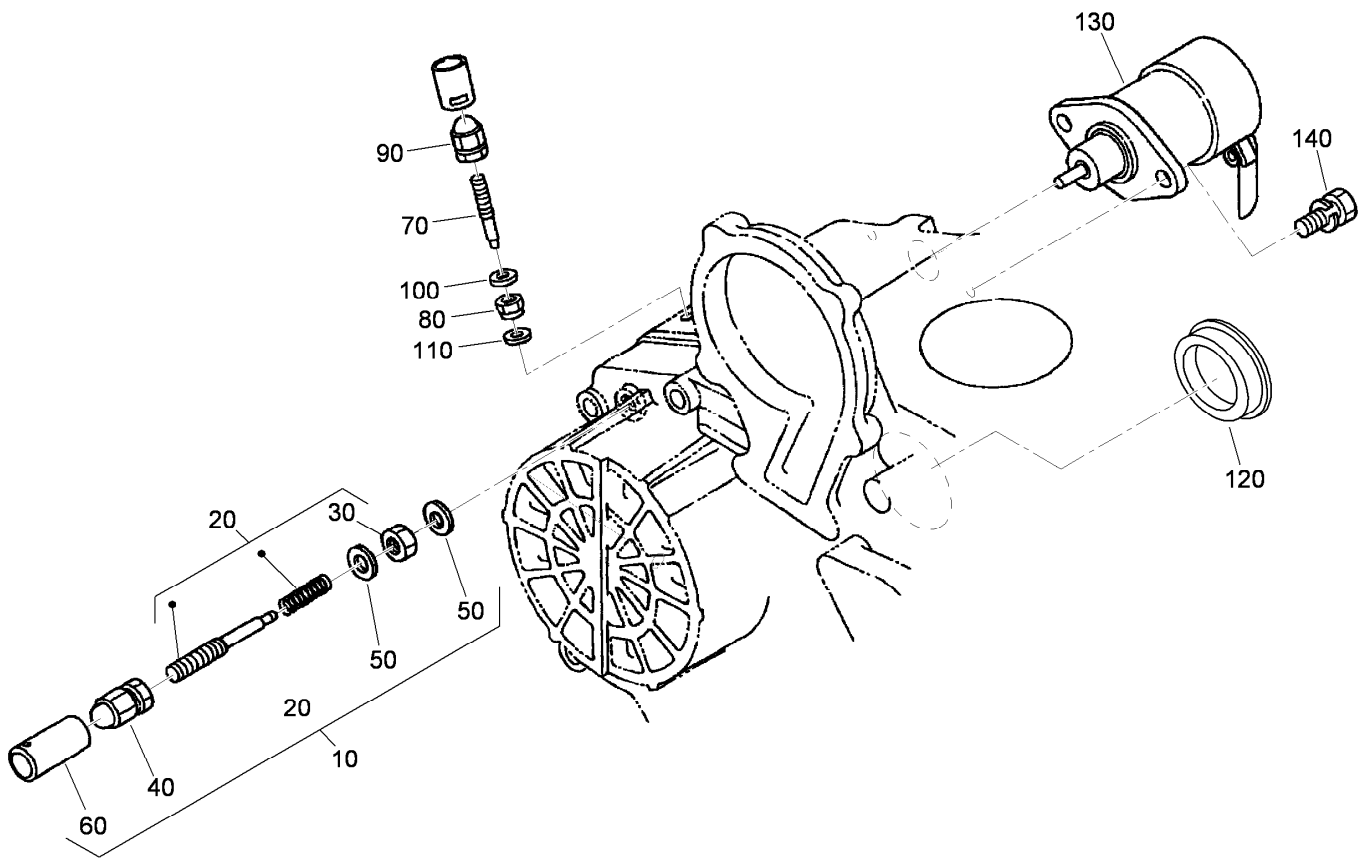
<i>Ref.</i>	<i>Part Number</i>	<i>Qty.</i>	<i>Description</i>
10	105-3784	1	Flywheel ASM
20	115-3015	1	Gear-Ring
30	98-9537	6	Bolt-Flywheel
40	98-9486	1	Plate-End, Rear
50	98-9392	8	Bolt





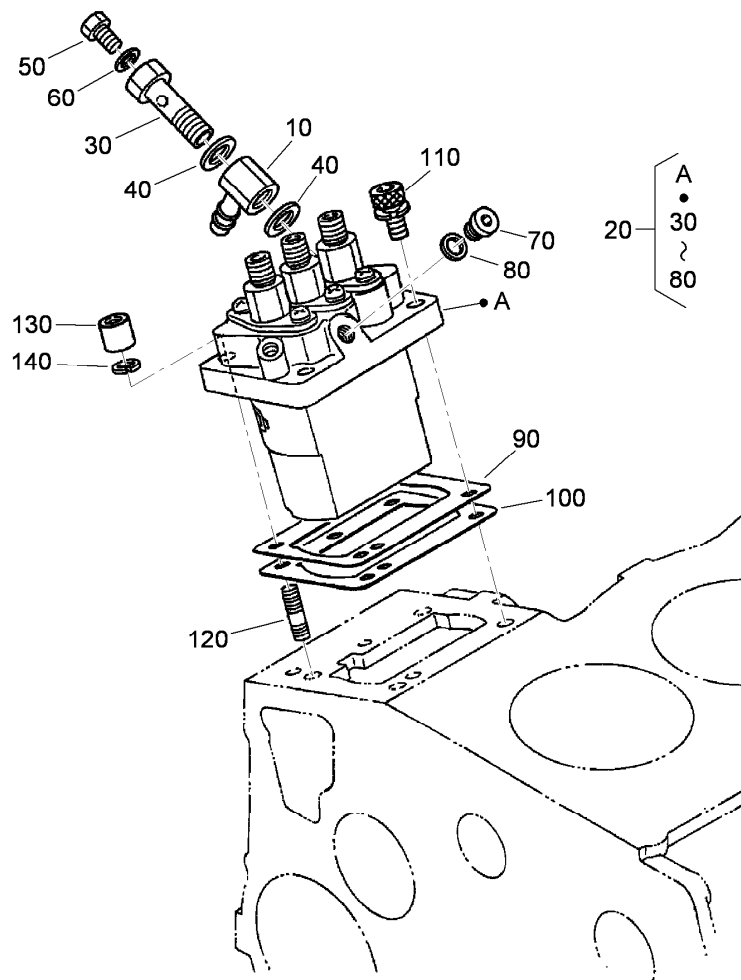
## Fuel Camshaft and Governor Shaft Assembly

<i>Ref.</i>	<i>Part Number</i>	<i>Qty.</i>	<i>Description</i>
10	98-9459	1	Camshaft-Fuel
20	107-9077	1	Bearing-Ball
30	107-9078	1	Bearing-Ball
40	98-9669	1	Gear-Pump, Injection
70	98-9590	1	Nut-Cap
80	98-9595	1	Key-Woodruff
100	98-9511	1	Stopper-Fuel, Camshaft
110	98-7692	2	Bolt
120	98-9644	1	Governor Shaft ASM
130	98-9562	1	Holder-Gear, Governor
140	98-9673	1	Gear-Governor
150	98-9561	1	Holder-Weight, Governor
160	98-9559	2	Governor Weight ASM
170	98-9560	2	Shaft-Weight, Governor
180	98-9692	2	Roller
190	98-9563	1	Sleeve-Governor
200	98-9564	1	Washer-Thrust
210	107-9079	1	Bearing-Ball
220	98-9657	1	Circlip-Shaft, Governor
230	98-9565	1	Screw-Set



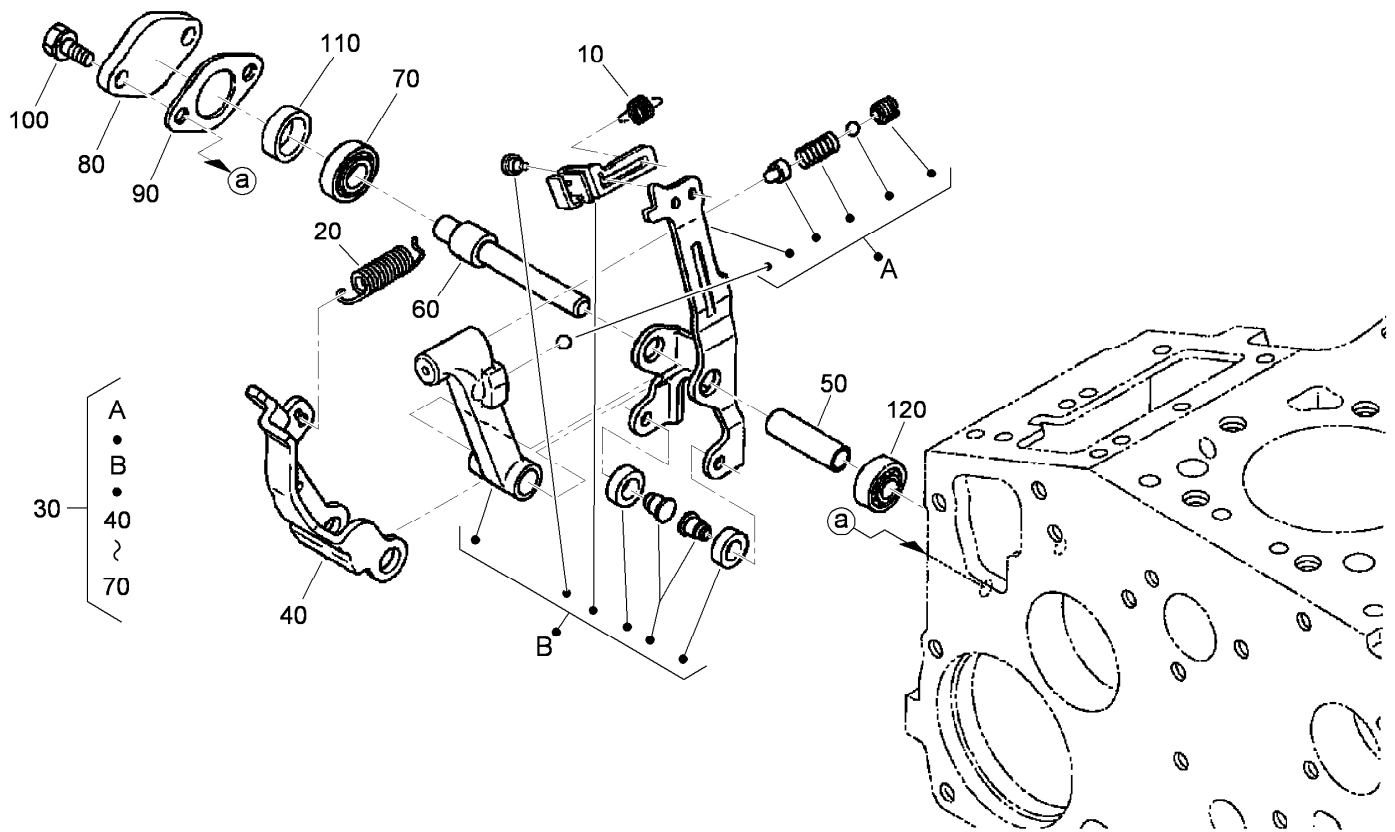
## Idle Apparatus and Stop Solenoid Assembly

<i>Ref.</i>	<i>Part Number</i>	<i>Qty.</i>	<i>Description</i>
10	98-9678	1	Idle Apparatus ASM
20	112-7014	1	Adjusting Bolt ASM
30	98-9439	1	Nut
40	112-0181	1	Nut
50	98-7654	2	Gasket
60	98-7656	1	Cap
70	112-7015	1	Bolt-Adjusting
80	100-2175	1	Nut-Lock
90	112-0181	1	Nut
100	98-7654	1	Gasket
110	107-9081	1	Gasket
120	112-7016	1	Cover-Pump
130	104-5155	1	Solenoid-Stop
140	115-3039	2	Bolt-HSH



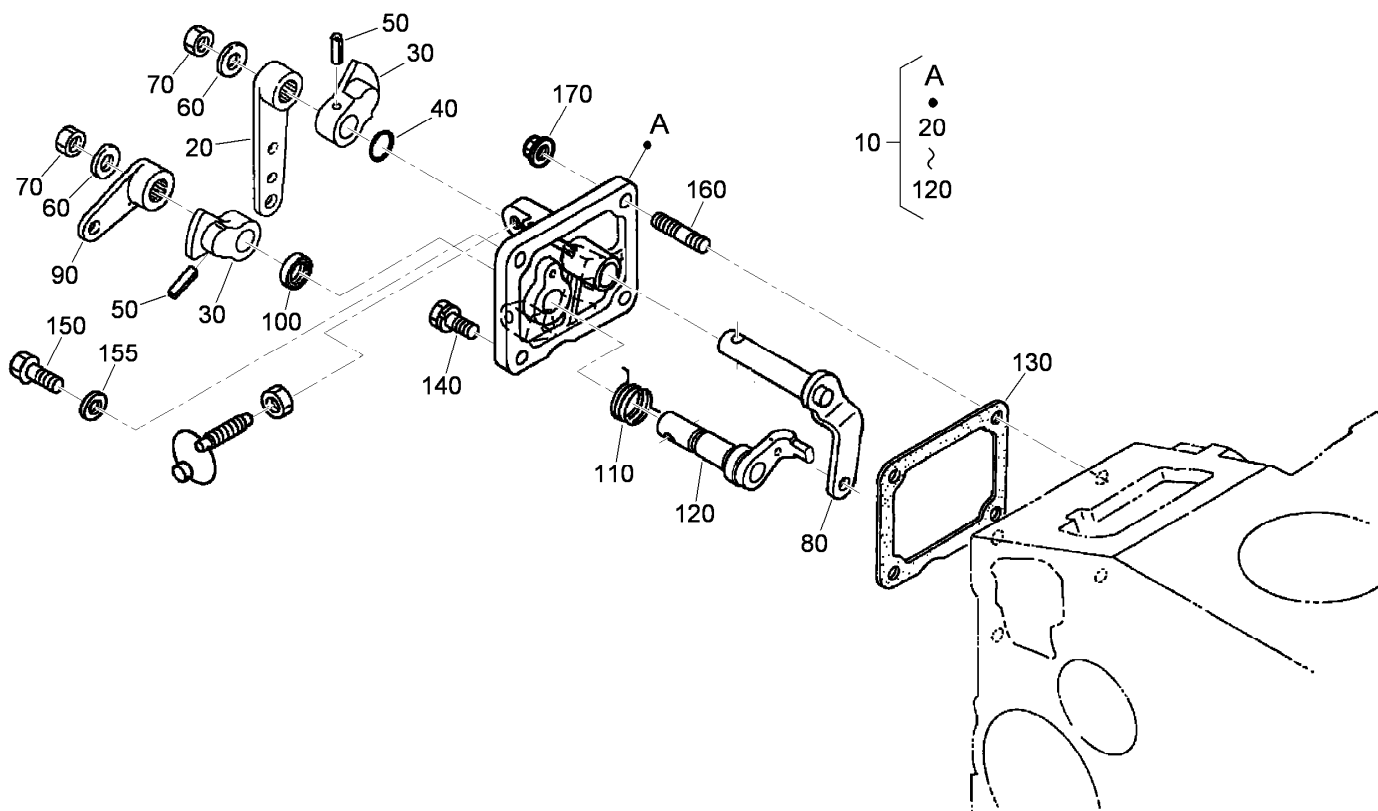
## Injection Pump Assembly

<i>Ref.</i>	<i>Part Number</i>	<i>Qty.</i>	<i>Description</i>
10	98-9596	1	Joint-Eye
20	98-9643	1	Injection Pump ASM
30	98-9464	1	Bolt-Joint
40	98-9445	2	Gasket
50	98-9430	1	Screw
60	98-9446	1	Gasket
70	98-9466	1	Plug
80	98-9451	1	Gasket
90	98-9456	1	Shim-Injection (0.20Mm)
90	98-9457	1	Shim-Injection (0.25Mm)
90	115-3045	1	Shim-Injection (0.175Mm)
100	98-9458	1	Shim-Injection (0.30Mm)
100	115-3046	1	Shim-Injection (0.35Mm)
110	117-7564	2	Bolt-Hex Soc HD
120	98-9438	2	Stud
130	98-9440	2	Nut-Cap
140	98-7699	4	Washer-Spring



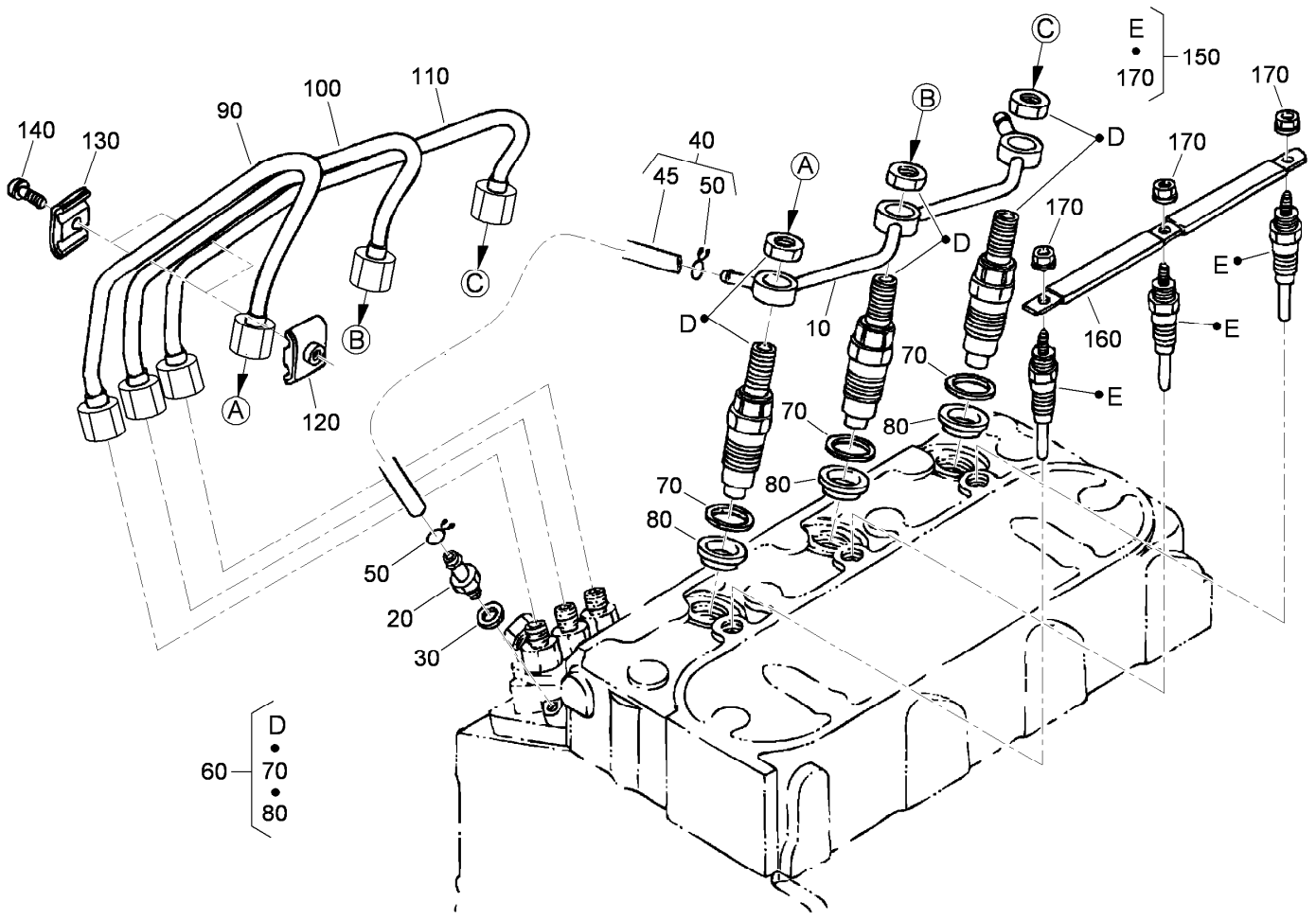
## Governor Assembly

<i>Ref.</i>	<i>Part Number</i>	<i>Qty.</i>	<i>Description</i>
10	105-3786	1	Spring-Start
20	98-9681	1	Spring-Governor
30	115-4502	1	Fork Lever ASM
40	107-9084	1	Lever-Fork
50	107-9085	1	Shaft-Lever, Fork
60	107-9086	1	Shaft-Lever, Fork
70	98-9570	1	Bearing-Miniaturize
80	115-4122	1	Cover-Shaft, Fork Lever
90	98-9682	1	Gasket
100	98-9350	2	Bolt
110	98-9567	1	Collar
120	98-9571	1	Bearing-Miniaturize



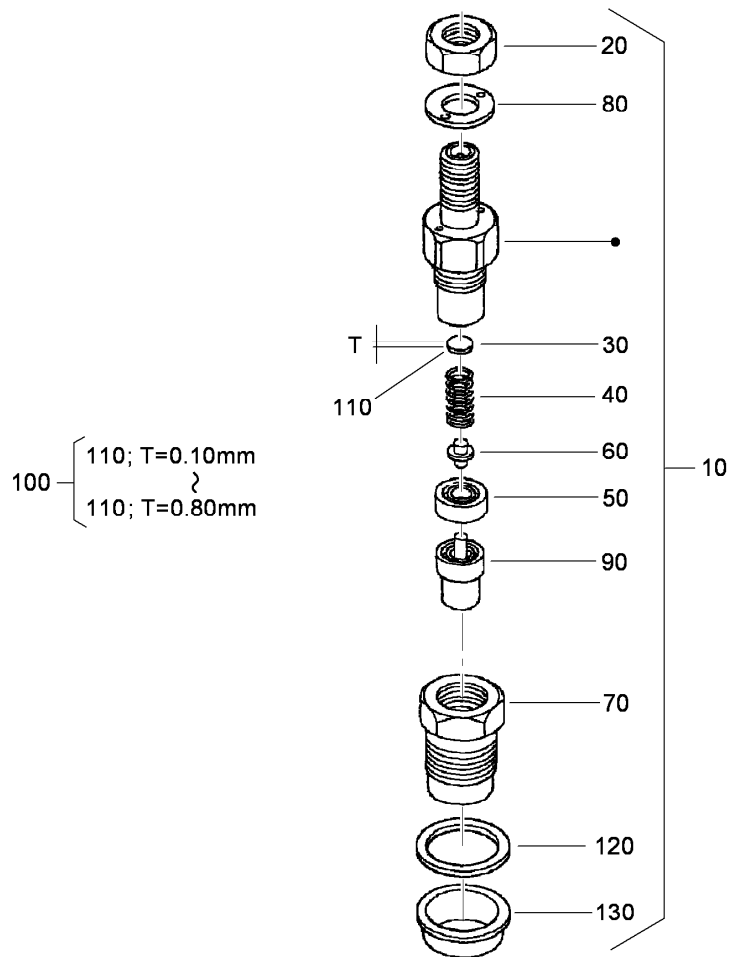
## Speed Control Plate Assembly

<i>Ref.</i>	<i>Part Number</i>	<i>Qty.</i>	<i>Description</i>
10	105-3735	1	Control Plate ASM
20	98-9662	1	Lever-Control, Speed
30	98-9572	2	Lever-Control, Speed
40	105-3788	1	O-Ring
50	98-7602	2	Pin-Spring
60	98-9594	2	Washer-Plain
70	98-9589	2	Nut
80	98-9658	1	Governor Lever ASM
90	98-9663	1	Lever-Stop, Engine
100	98-7601	1	Seal-Oil
110	98-9472	1	Spring-Return
120	98-9664	1	Shaft-Lever, Stop
130	98-9637	1	Gasket
140	98-7692	1	Bolt
150	99-8348	1	Bolt
155	98-7654	1	Gasket
160	105-3710	2	Stud
170	100-2203	2	Nut-Flange



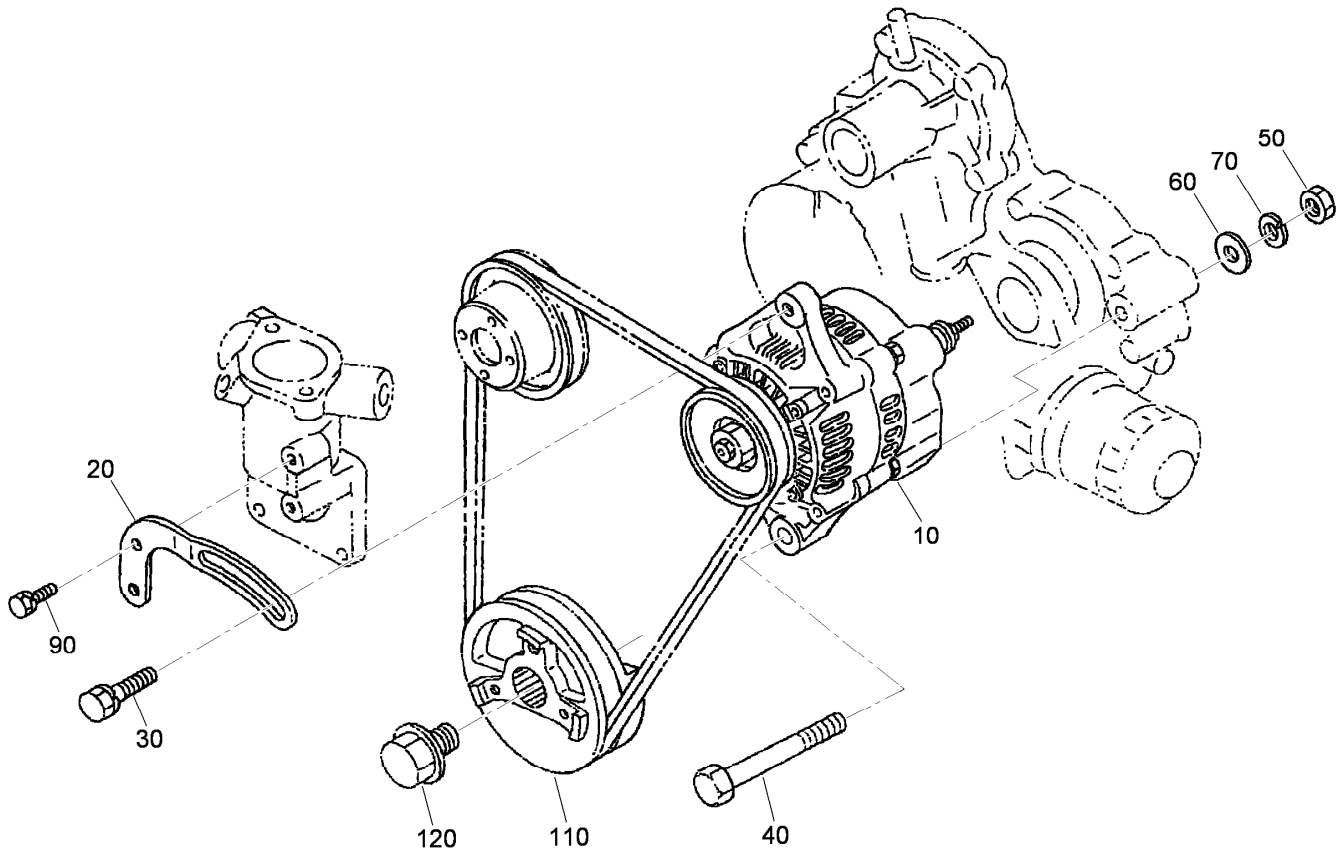
## Nozzle Holder and Glow Plug Assembly

Ref.	Part Number	Qty.	Description
10	98-9620	1	Overflow Pipe ASM
20	98-9431	1	Screw-Bleeder, Air
30	98-7654	1	Gasket
40	98-9420	1	Overflow Pipe ASM
45	112-0182	1	Pipe-Overflow
50	98-7671	2	Clip-Pipe
60	108-2866	3	Nozzle Holder Kit
70	98-7676	3	Gasket
80	98-7677	3	Seal-Heat
90	98-9653	1	Pipe-Injection
100	98-9654	1	Pipe-Injection
110	98-9655	1	Pipe-Injection
120	98-7682	2	Clamp-Pipe
130	98-7683	2	Clamp-Pipe
140	98-7684	2	Screw (W/Washer)
150	115-3019	3	Plug-Glow
160	98-9631	1	Cord-Plug, Glow
170	99-8377	3	Nut-Flange



## Nozzle Holder Assembly

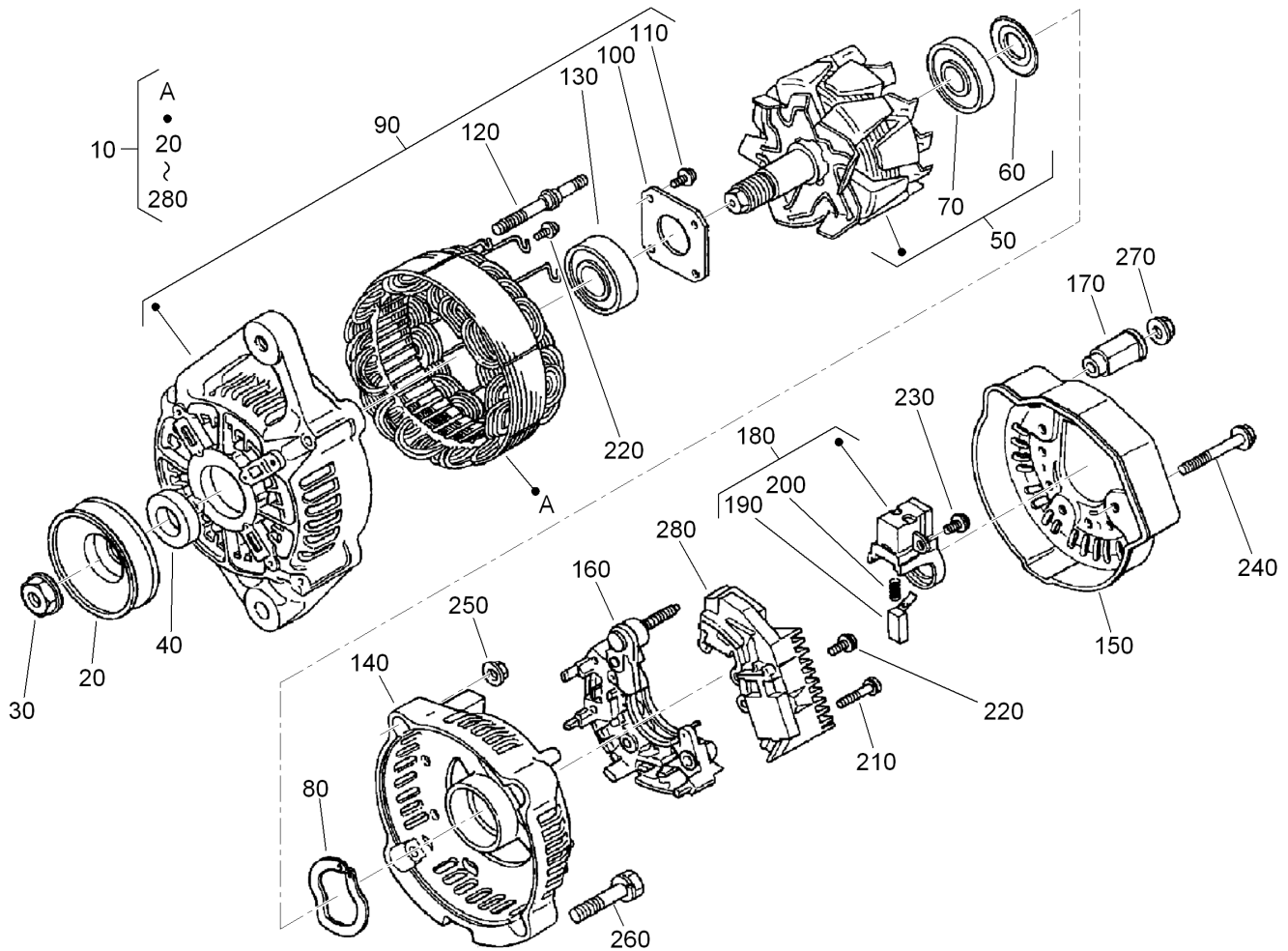
Ref.	Part Number	Qty.	Description
10	108-2866	3	Nozzle Holder Kit
20	99-8301	3	Nut
30	99-8302	3	Washer-Adjusting
40	99-8303	3	Spring-Nozzle
50	99-8304	3	Spacer-Distance
60	99-8305	3	Rod-Push
70	99-8306	3	Nut-Nozzle
80	99-8307	3	Washer-Plain
90	107-7826	3	Piece-Nozzle
100	99-8309	3	Adjusting Washer ASM
110	99-8310	3	Washer-Adjust (0.10Mm)
110	99-8311	3	Washer-Adjust (0.20Mm)
110	99-8312	3	Washer-Adjust (0.30Mm)
110	99-8313	3	Washer-Adjust (0.40Mm)
110	99-8314	3	Washer-Adjust (0.50Mm)
110	99-8315	3	Washer-Adjust (0.52Mm)
110	99-8316	3	Washer-Adjust (0.54Mm)
110	99-8317	3	Washer-Adjust (0.56Mm)
110	99-8318	3	Washer-Adjust (0.58Mm)
110	99-8319	3	Washer-Adjust (0.80Mm)
120	98-7676	3	Gasket
130	98-7677	3	Seal-Heat



## Alternator and Pulley Assembly

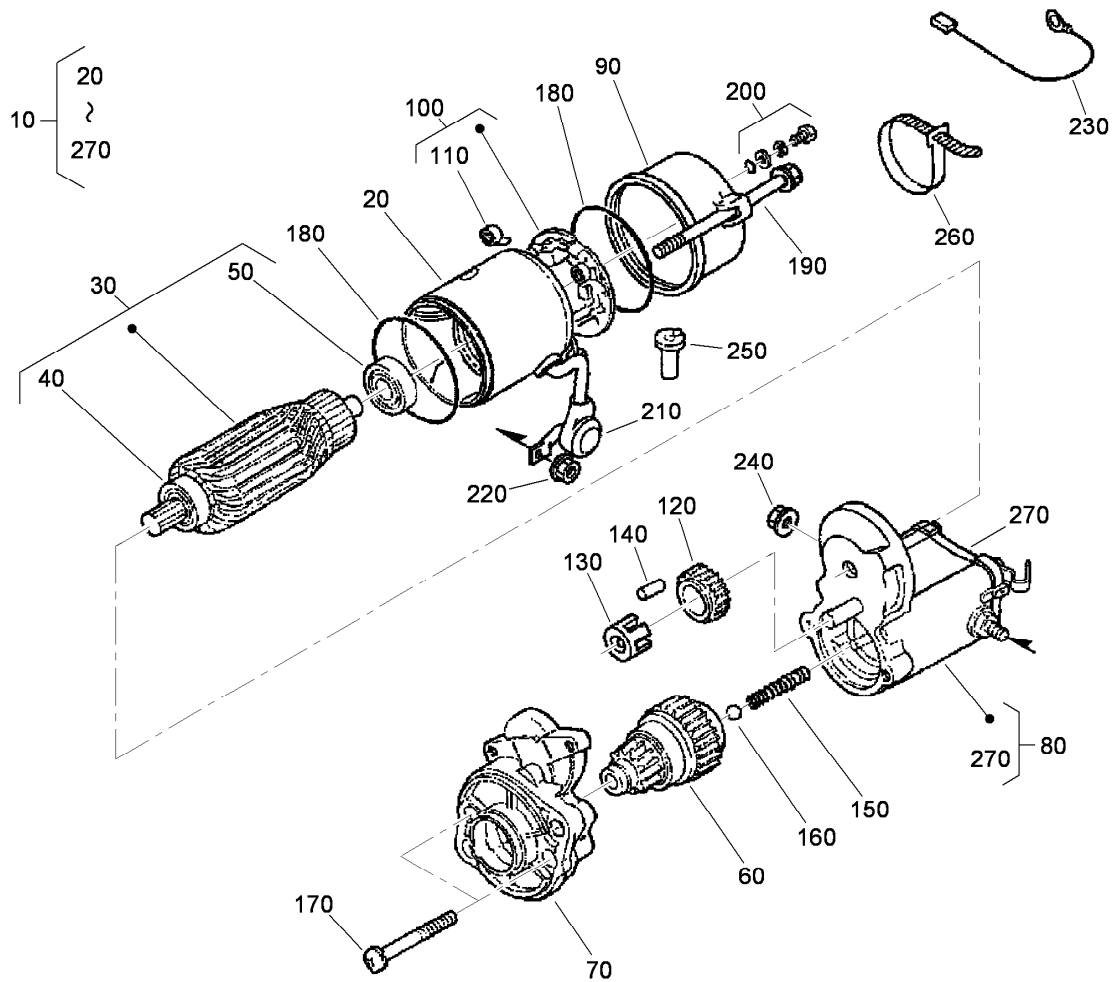
<i>Ref.</i>	<i>Part Number</i>	<i>Qty.</i>	<i>Description</i>
10	98-9474	1	Alternator ASM
20	112-7047	1	Stay-Dynamo
30	108-7088	1	Bolt
40	98-9360	1	Bolt
50	98-7737	1	Nut
60	98-9366	1	Washer-Plain
70	98-7738	1	Washer-Spring
90	98-7692	1	Bolt
110	98-9473	1	Pulley-Drive, Fan
120	98-9585	1	Bolt





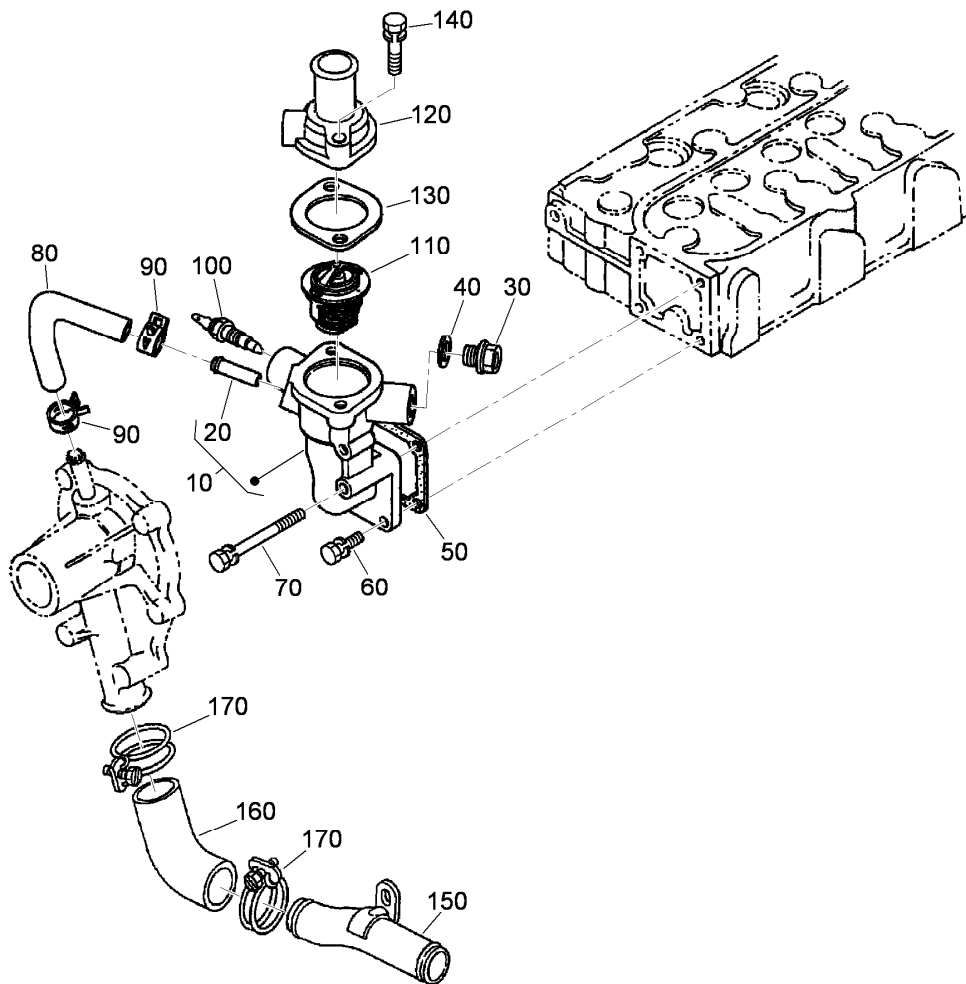
## Alternator Components Assembly

<i>Ref.</i>	<i>Part Number</i>	<i>Qty.</i>	<i>Description</i>	<i>Ref.</i>	<i>Part Number</i>	<i>Qty.</i>	<i>Description</i>
10	98-9474	1	Alternator ASM	150	107-0140	1	Cover-End
20	98-9453	1	Pulley-Dynamo	160	98-7721	1	Rectifier ASM
30	98-7708	1	Nut	170	98-7722	1	Bushing-Insulation
40	98-7709	1	Collar	180	107-0141	1	Brush Holder ASM
50	107-0136	1	Rotor ASM	190	98-7724	2	Brush
60	98-7711	1	Cover-Bearing	200	98-7725	2	Spring-Brush
70	107-0138	1	Bearing-Ball	210	98-7726	2	Screw-Head, Round
80	98-7713	1	Washer-Thrust	220	98-7727	6	Screw-Head, Round
90	107-0139	1	Drive End Frame ASM	230	98-7728	1	Screw-Head, Round
100	98-7715	1	Plate-Retainer	240	98-7729	3	Bolt
110	98-7716	4	Screw-Head, Round	250	98-7730	2	Nut
120	98-7717	2	Bolt-Through	260	98-7731	2	Bolt
130	107-0137	1	Bearing-Ball	270	98-7732	1	Nut
140	107-9087	1	Frame-End	280	110-3799	1	Regulator ASM



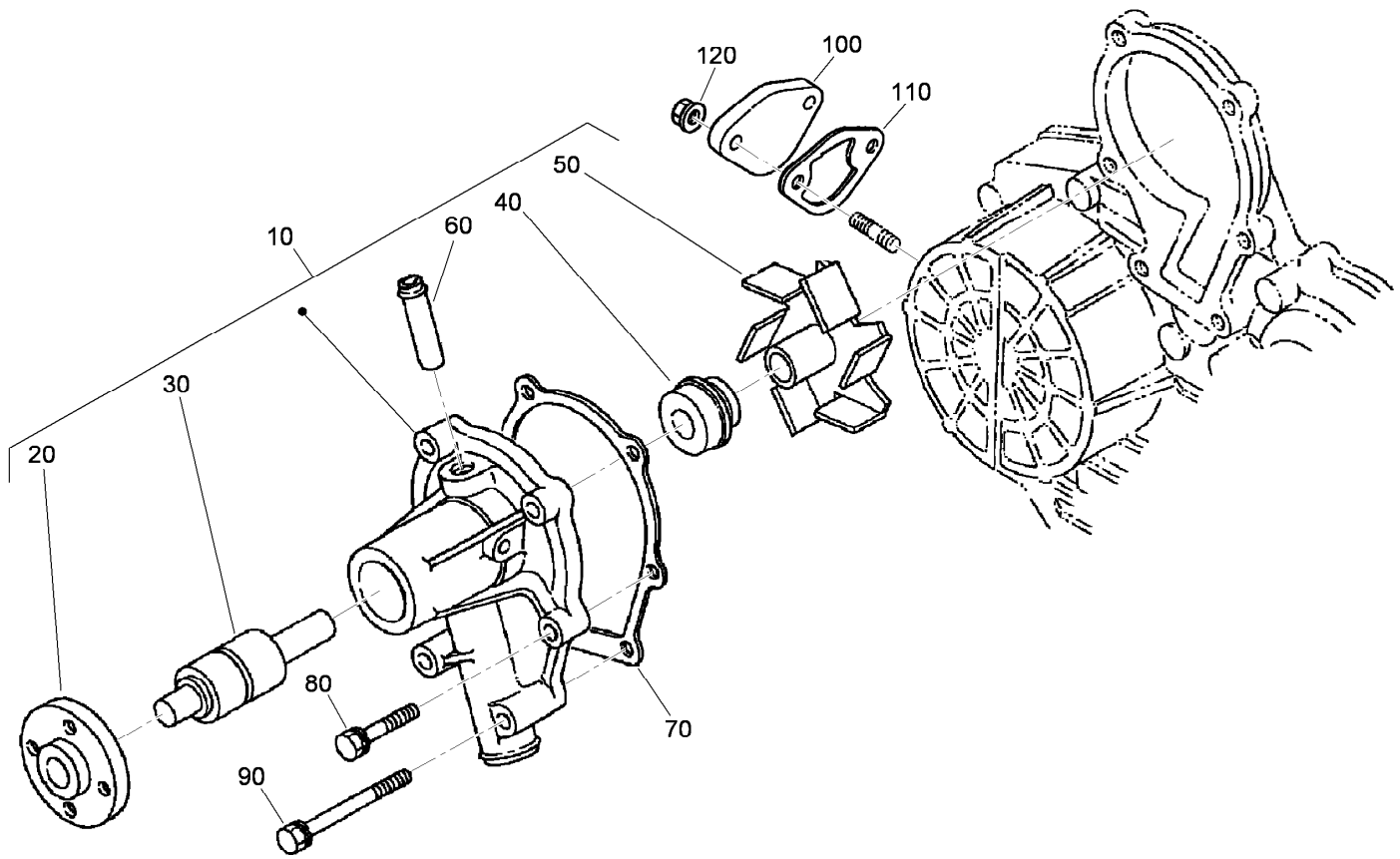
## Starter Components

<i>Ref.</i>	<i>Part Number</i>	<i>Qty.</i>	<i>Description</i>	<i>Ref.</i>	<i>Part Number</i>	<i>Qty.</i>	<i>Description</i>
10	98-9705	1	Starter ASM	150	98-7754	1	Spring
20	104-8608	1	Yoke ASM	160	98-7755	1	Ball
30	98-7742	1	Armature ASM	170	98-7756	2	Bolt
40	98-7744	1	Bearing	180	98-7757	2	O-Ring
50	98-7743	1	Bearing	190	100-9240	2	Bolt
60	99-8373	1	Clutch-Running, Over	200	98-7758	2	Bolt ASM
70	99-8374	1	Frame-End, Drive	210	99-8375	1	Cover
80	105-3746	1	Magnetic Switch ASM	220	99-8371	1	Nut-Hex
90	98-7748	1	Frame-End	230	98-9711	1	Cord-Solenoid, Stop
100	98-7749	1	Brush Holder ASM	240	99-8376	1	Nut-Hex
110	98-7750	4	Spring-Brush	250	98-7759	1	Pipe-Drain
120	98-7751	1	Gear	260	98-9712	1	Band-Cover
130	98-7752	1	Retainer	270	105-2886	1	Cover ASM
140	98-7753	5	Roller				



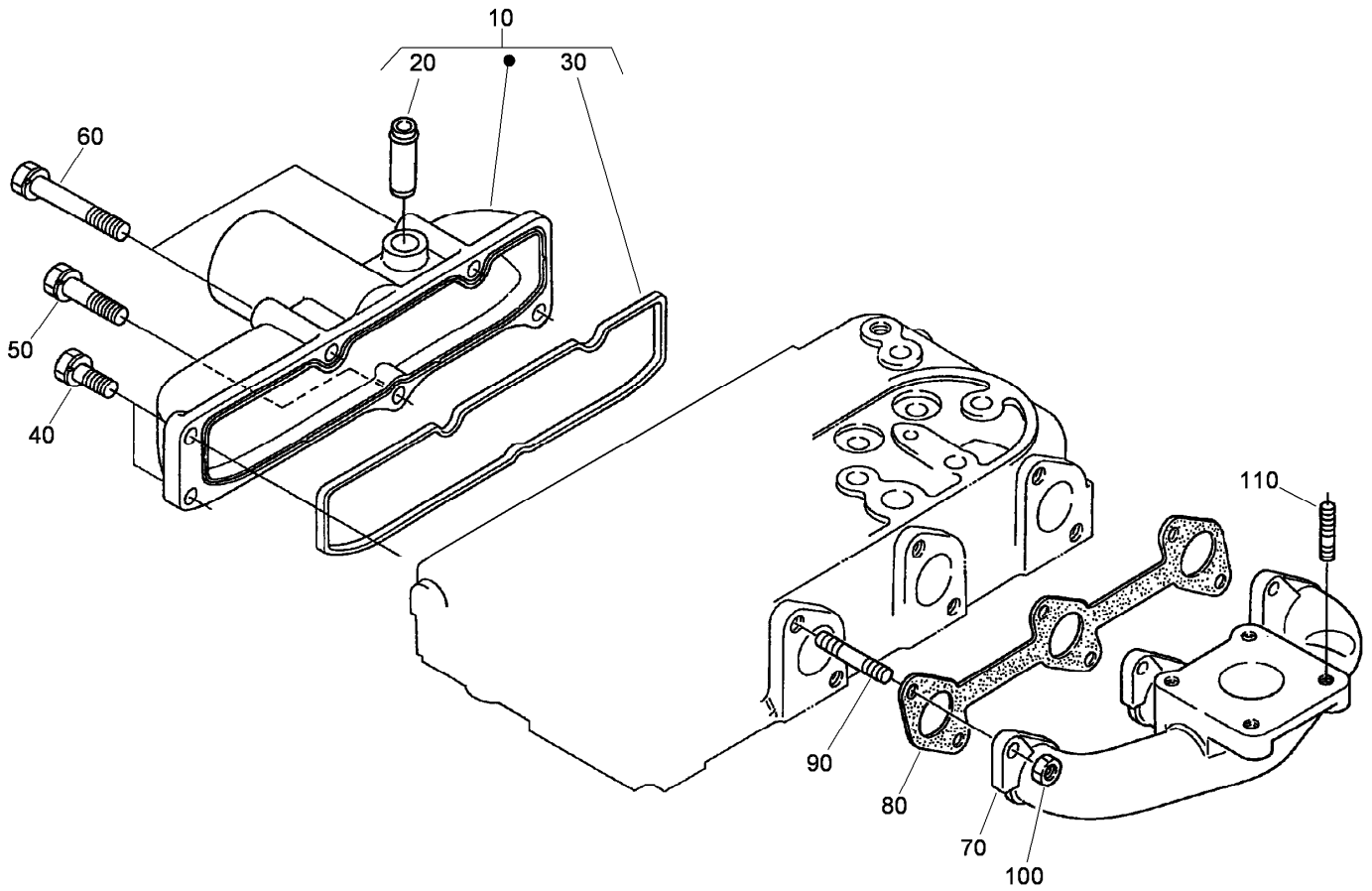
## Water Flange and Thermostat Assembly

<i>Ref.</i>	<i>Part Number</i>	<i>Qty.</i>	<i>Description</i>
10	98-9713	1	Water Flange ASM
20	98-9580	1	Pipe-Return, Water
30	105-3747	1	Plug
40	99-3583	1	Gasket
50	98-9638	1	Gasket-Flange, Water
60	98-7692	3	Bolt
70	98-9356	1	Bolt
80	98-9578	1	Pipe-Return, Water
90	98-9579	2	Band-Pipe
100	112-0183	1	Switch-Thermometer
110	98-7778	1	Thermostat ASM
120	98-9471	1	Cover-Thermostat
130	105-3748	1	Gasket-Thermostat
140	98-7777	2	Bolt
150	98-9716	1	Pipe-Water
160	107-9091	1	Pipe-Water
170	98-9717	2	Clamp



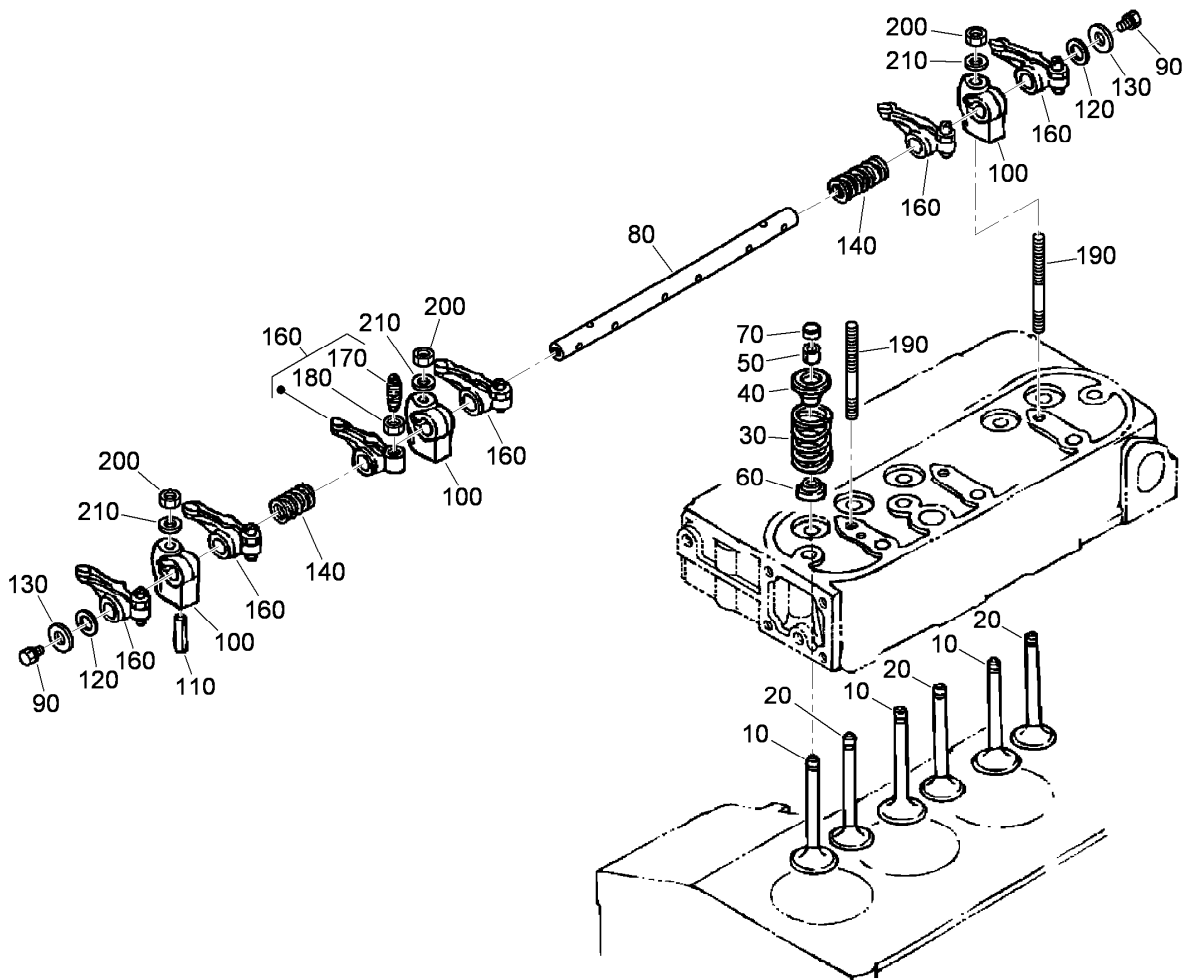
## Water Pump and Fuel Pump Cover Assembly

<i>Ref.</i>	<i>Part Number</i>	<i>Qty.</i>	<i>Description</i>
10	107-9089	1	Water Pump ASM
20	99-3516	1	Flange-Pump, Water
30	99-3517	1	Bearing-Pump, Water
40	105-3750	1	Mechanical Seal ASM
50	112-7017	1	Impeller-Pump, Water
60	100-1932	1	Pipe-Return, Water
70	99-3454	1	Gasket-Pump, Water
80	98-9353	4	Bolt
90	107-9090	2	Bolt
100	99-3514	1	Cover
110	98-9636	1	Gasket-Pump, Fuel
120	100-2203	2	Nut-Flange



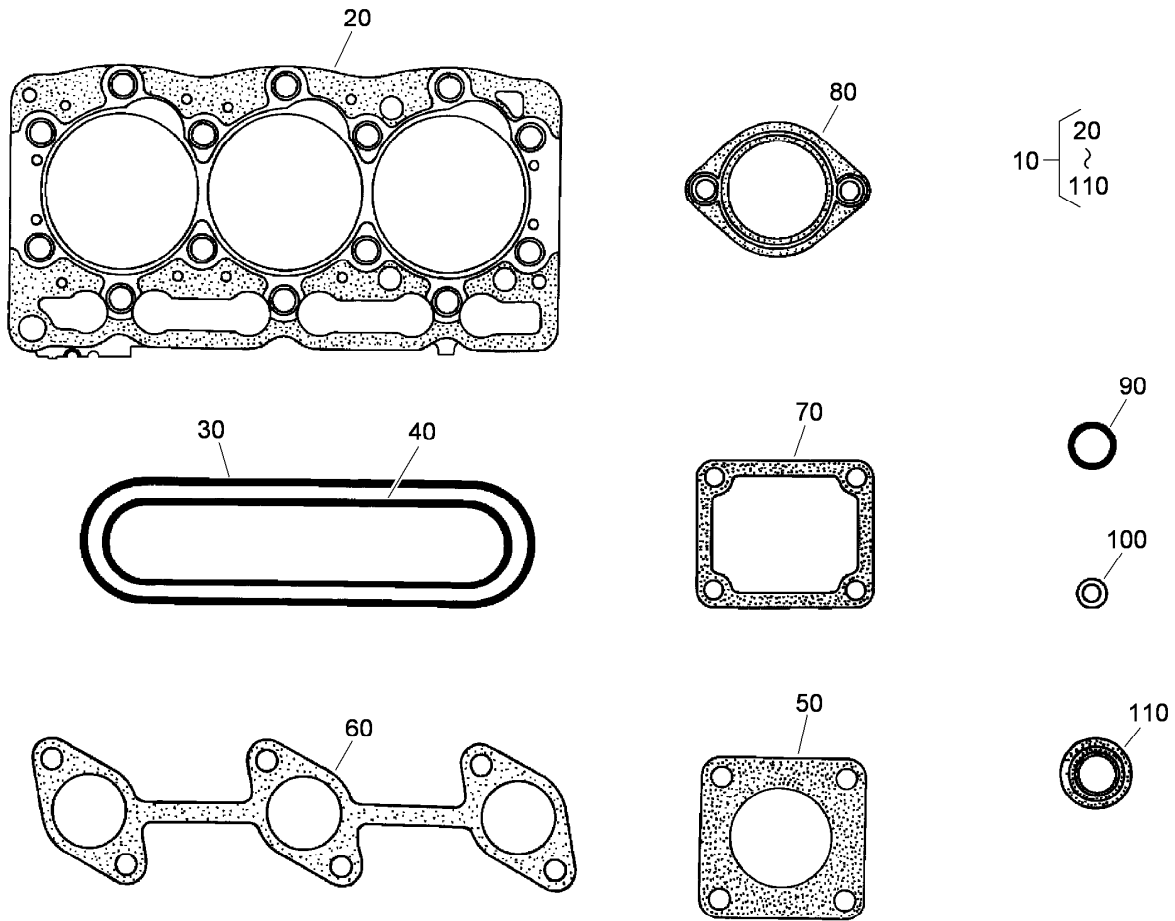
## Inlet Manifold Assembly

<i>Ref.</i>	<i>Part Number</i>	<i>Qty.</i>	<i>Description</i>
10	108-6577	1	Inlet Manifold ASM
20	98-9492	1	Joint-Pipe, Breather
30	98-9609	1	Gasket-Manifold, Inlet
40	98-7605	3	Bolt
50	98-9353	1	Bolt
60	105-3797	2	Bolt
70	107-9093	1	Manifold-Exhaust
80	99-8327	1	Gasket-Manifold, Exhaust
90	98-9588	6	Stud
100	98-9665	6	Nut
110	98-7769	4	Stud



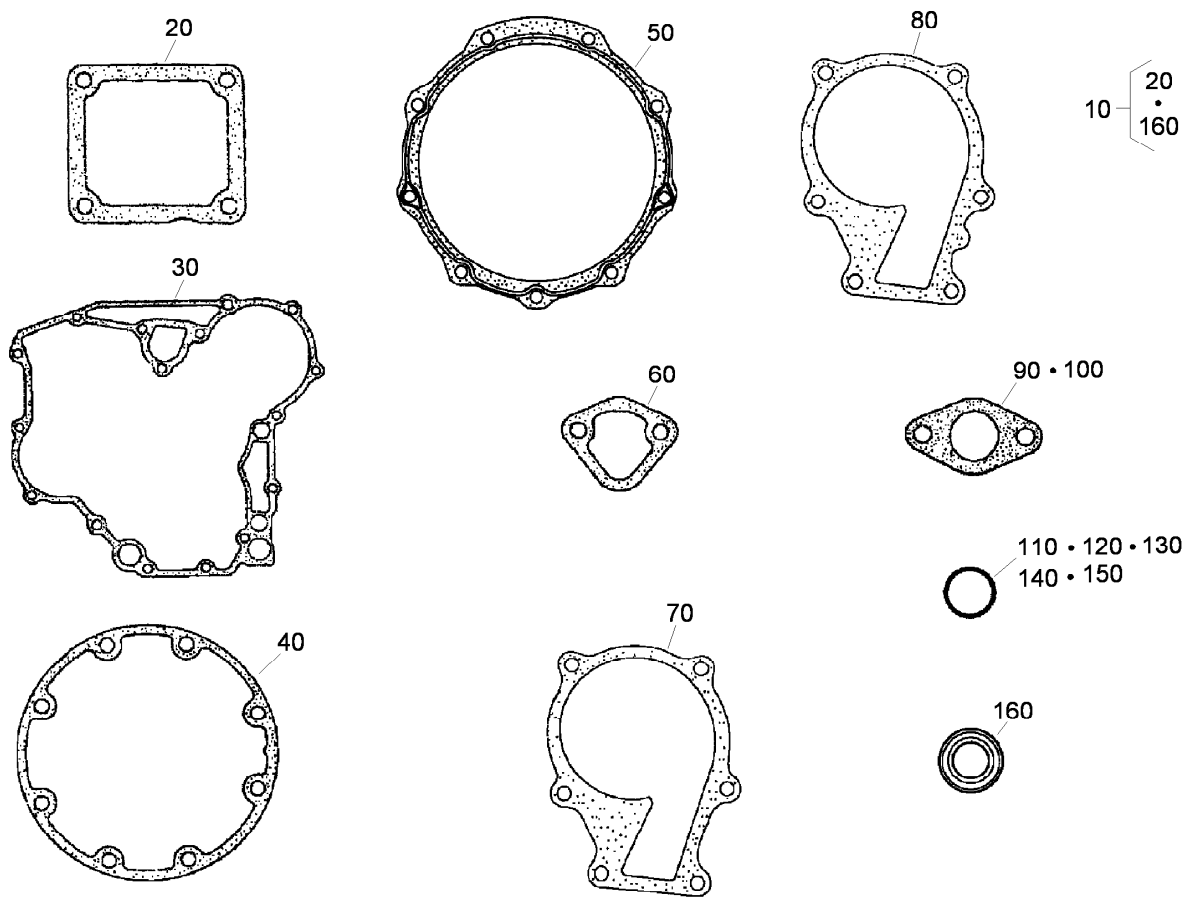
## Valve and Rocker Arm Assembly

<i>Ref.</i>	<i>Part Number</i>	<i>Qty.</i>	<i>Description</i>
10	112-7018	3	Valve-Inlet
20	112-7019	3	Valve-Exhaust
30	98-9648	6	Spring-Valve
40	107-9092	6	Retainer-Spring
50	98-9390	6	Collet-Spring, Valve
60	99-8385	6	Seal-Stem, Valve
70	98-9497	6	Cap-Valve
80	105-3790	1	R-Arm Shaft ASM
90	100-9265	2	Bolt
100	98-9505	3	Bracket-Arm, Rocker
110	105-3758	1	Pin-Spring
120	98-9507	2	Washer-Shaft, R-Arm
130	110-3832	2	Washer-Plain
140	98-9504	2	Spring-Arm, Rocker
160	112-7020	6	Rocker Arm ASM
170	98-9502	6	Screw-Adjusting
180	98-9503	6	Nut
190	98-9506	3	Stud
200	98-9393	3	Nut
210	98-9385	3	Washer-Flat



## Upper Gasket Kit

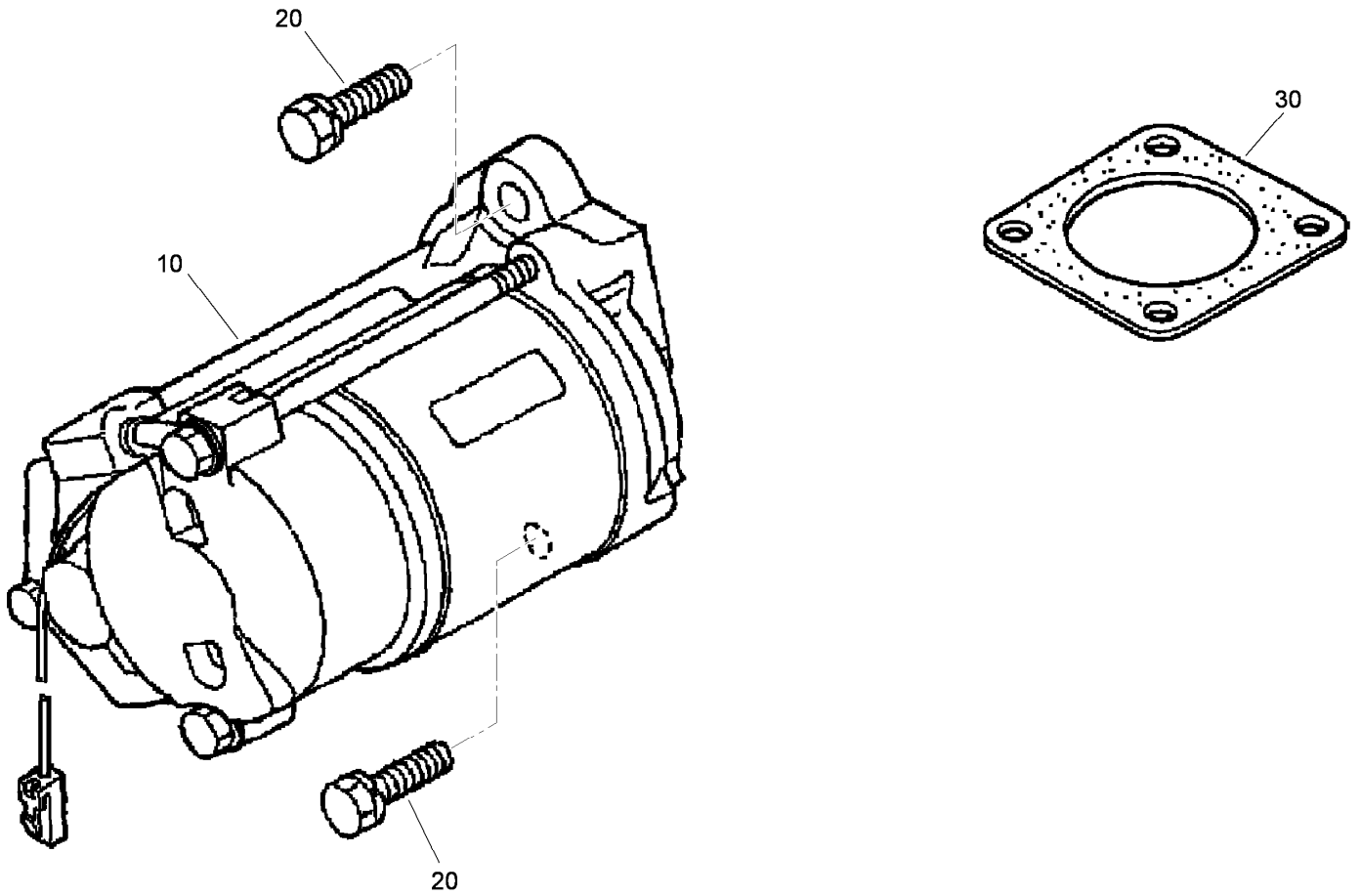
<i>Ref.</i>	<i>Part Number</i>	<i>Qty.</i>	<i>Description</i>
10	107-7848	1	Upper Gasket Kit
20	108-6573	1	Gasket-Head, Cylinder
30	98-9615	1	Gasket-Cover, Head
40	98-9609	1	Gasket-Manifold, Inlet
50	99-8343	1	Gasket-Muffler
60	99-8327	1	Gasket-Manifold, Exhaust
70	98-9638	1	Gasket-Flange, Water
80	105-3748	1	Gasket-Thermostat
90	99-3446	2	O-Ring
100	98-9454	3	Gasket
110	99-8385	6	Seal-Stem, Valve



## Lower Gasket Kit

<i>Ref.</i>	<i>Part Number</i>	<i>Qty.</i>	<i>Description</i>
10	117-7593	1	Lower Gasket Kit
20	98-9637	1	Gasket
30	98-9633	1	Gasket-Case, Gear
40	98-9634	1	Gasket-Case, Bearing
50	112-7037	1	Gasket-Cover, Case
60	117-7562	1	Gasket-Pump, Fuel
70	98-9632	1	Gasket-Pump, Water
80	99-3454	1	Gasket-Pump, Water
90	98-9682	1	Gasket
100	98-9683	1	Gasket-Cover, Solenoid
110	105-3781	2	O-Ring
120	105-3777	2	O-Ring
130	105-3783	1	O-Ring
140	105-3776	1	O-Ring
150	105-3788	1	O-Ring
160	98-7601	1	Seal-Oil





## Miscellaneous Engine Parts

<i>Ref.</i>	<i>Part Number</i>	<i>Qty.</i>	<i>Description</i>
10	98-9705	1	Starter ASM
20	98-7697	2	Bolt
30	99-8343	1	Gasket-Muffler

# Attachments and Accessories

## For 30360 Groundsmaster 7200 Traction Unit with 72in Side Discharge Mower

Product Name	Model/Part
Tooth Rake .....	08751
Finish Grader .....	08754
Drag Mat Carrier System .....	08756
Steel Drag Mat .....	08757
Coco Drag Mat .....	08758
Lug Tire (24 X 12 - 12) .....	103-6771
Bahiagrass Baffle Kit .....	105-7269
Blade-Belt Kit, 62in Guardian Only .....	105-7270
Blade-Belt Kit, 72in Guardian Only .....	105-7271
Blade-Belt Kit, 72in Side Discharge Only .....	105-7272
Striping Kit, 72in Side Discharge Only .....	105-7273
Yellow Hydraulic Cap .....	107-1576
Green Diesel Cap .....	107-2172
Premium Engine Oil, 15w40 (55 Gallon Drum) .....	108-1181
Premium Engine Oil, 15w40 (5 Gallon Pail) .....	108-1182
Premium Transmission/Hydraulic Tractor Fluid (55 Gallon Drum) .....	108-1183
Premium Transmission/Hydraulic Tractor Fluid (5 Gallon Pail) .....	108-1184
Leaf Mulching Kit .....	108-5273
Wheel and Tire ASM (Semi Pneumatic) .....	110-6406
Spark Arrestor Kit .....	112-1688
Bio-Diesel Fuel Filter Kit .....	112-9140
Slow Moving Vehicle Kit .....	114-4050
5in Air Cleaner Safety Element .....	114-4057
Weight Mount Bracket Kit .....	114-4090
42-pound Weight, For Kit 114-4090 .....	114-4096
60-Amp Alternator Kit, Kubota 05 Series-Powered Traction Unit .....	117-5540
Overflow Tank Kit .....	117-5570
Fender Kit .....	117-9170
Roll-Over Protection Kit .....	117-9179
CE Kit, Groundsmaster 7200 Series with 60in Mower .....	117-9248
CE Kit, Grass Collection System for Groundsmaster 7200 Series with 60in Mower .....	117-9249
Brake Service Kit .....	120-0015
MVP (Filter) Kit .....	30037
400-hour Filter Maintenance Kit .....	30052
Guardian Recycler Completion Kit .....	30304
62in Guardian Recycler Completion Kit .....	30306
Guardian Fine Recycler Completion Kit .....	30346
Recycler Kit, 72in Side Discharge Mower .....	30347
Recycler Kit .....	30348
Hardtop Sunshade .....	30359
Polar Trac Kit .....	30370
Polar Trac Cab .....	30371
Road Light Kit .....	30374
Z-Stand Kit .....	30375
Rear Quick Attach System .....	30377
V-Plow Mounting Kit .....	30378

# Attachments and Accessories (continued)

Auxiliary Hydraulic Power Kit ..... 30380  
Auxiliary Power Unit..... 30382  
CE Kit ..... 30392  
Debris Blower ..... 30393  
Grass Collection System, Groundsmaster 7200 Series with 60in Mower ..... 30460  
Rear Discharge Kit, 62in Base Mower ..... 30463  
Rear Discharge Kit, 72in Base Mower ..... 30466  
48in V-Plow..... 30750



**Count on it.**