



## Hydraulic Steering Hose Routing Instruction

**Product: Groundsmaster® 300 Series**

**July 22, 2011**

<b>Affected Units:</b>	<b>Models:</b>	<b>Serial Numbers:</b>
Groundsmaster 328D	30626	210000101-310009999
Groundsmaster 328D 4WD	30627	210000101-310009999
Groundsmaster 328D	30630	210000101-310009999
Groundsmaster 328D 4WD	30631	210000101-310009999
Groundsmaster 325D	30739	10001-210009999
Groundsmaster 325D 4WD	30741	10001-210009999
Groundsmaster 327D	30787	80001-210009999
Groundsmaster 322D	30788	80001-210009999
Groundsmaster 345	30789	00001-240009999
Groundsmaster 322D 4WD	30795	00001-09999
Groundsmaster 325D 4WD	30795	10001-210009999

---

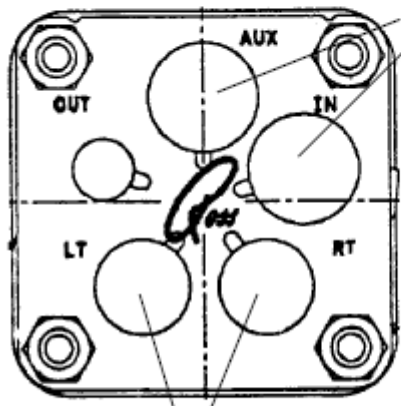
**Situation:** Published Groundsmaster 300 Series service manuals do not show specific hydraulic steering valve hose assembly location information by part number.

**Correction:** Reference the attached drawing when servicing the steer valve assembly. This information is intended as an aid in quickly and accurately assembling these hoses to the valve. Place this diagram with your Groundsmaster 300 Series tractor maintenance documents for future reference.

Please contact your local Toro Commercial Products Distributor for information regarding obtaining parts and assistance in performing this operation. Reference Toro Commercial Products Service Bulletin Rotaries 08-37 when making your inquiry.

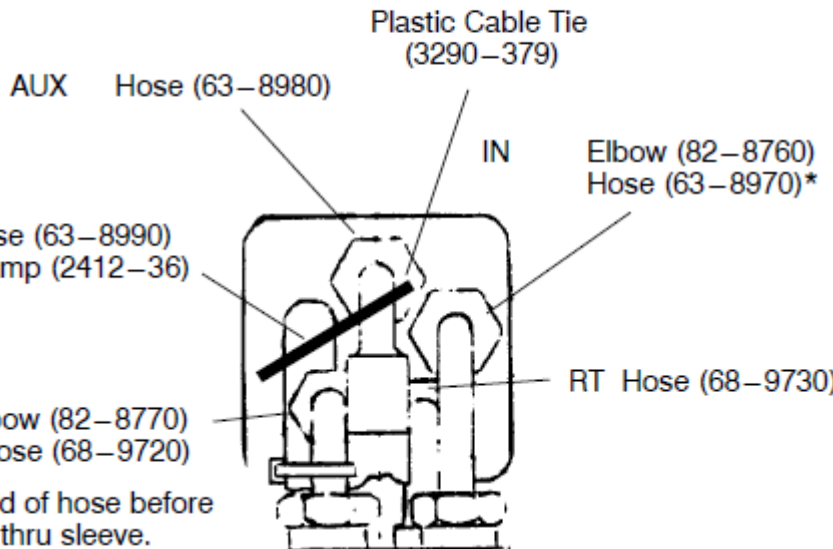
# Installation Instructions

## Steering Valve Asm

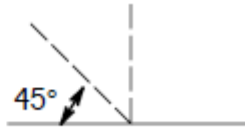


REF: O-ring (237-30)  
also for hose (63-8970)

REF: O-ring (237-22)  
also for hose (63-8920)



\*NOTE: Mark end of hose before routing thru sleeve.



\*NOTE: Before torquing hose to elbow orient hose elbow at opposite end toward center of valve and upward 45°.

