



**Count on it.**

**Parts Catalog**

**Three-Wheel Drive Kit without  
ROPS**

**Groundsmaster® 3250-D Traction Unit**

**Model No. 04477**

# Ordering Replacement Parts

To order replacement parts, please supply the part number, the quantity, and the description of each part desired.

## Understanding Reference Numbers

Each identified part in an illustration has a reference number. The reference number for a part also appears in the parts list, along with other information about the part.

This catalog uses two special reference number formats, one to indicate parts in a service assembly and another to indicate the quantity of a given part in an illustration.

## Service Assembly Reference Numbers

Parts in service assemblies have reference numbers in the form a:b. The a represents the reference number of the entire service assembly and the b represents a sequential number unique to each part within the service assembly.

For example, a wheel assembly might be identified by reference number 6, the tire by 6:1, the valve by 6:2, and the wheel by 6:3. When you order the assembly identified by reference number 6, you receive all parts identified by reference numbers 6:1, 6:2, and 6:3. However, you may also order any part individually. Reference numbers of this type appear in illustration and in parts lists.

## Reference Numbers Indicating Quantity

In an illustration, if a reference number indicates more than one part, the reference number has the form nX y. The n represents the quantity of the part, the X is the multiplication symbol, and the y represents the reference number.

For example, in an illustration, the reference number 2X 37 means that two of the parts identified by reference number 37 are indicated.

# List of Abbreviations

**AR:** as required

**ASM:** assembly

**BBC:** blade brake control

**BHTF:** button head thread forming

**CARR:** carriage

**CCW:** counter clockwise

**CW:** clockwise

**DEG:** degrees

**DPA:** Dual Point Adjustment

**ECM:** electronic control module

**EXT:** external

**FH:** flat head

**GA:** gauge

**HD:** heavy-duty

**HF:** hex flange

**HH:** hex head

**HHF:** hex head flange

**HHFTF:** hex head flange thread forming

**HJ:** hex jam

**HLH:** hex lag head

**HOC:** height-of-cut

**HSBH:** hex socket button head

**HSFH:** hex socket flat head

**HSH:** hex socket head

**HWH:** hex washer head

**HWHTF:** hex washer head thread forming

**HYD:** hydraulic

**LH:** left hand

**LP:** Liquid Propane

**NI:** nylon insert

**NPTF:** national pipe thread fine

**PFH:** phillips flat head

**PPH:** phillips pan head

**PPHTF:** phillips pan head thread forming

**PRH:** phillips round head

**PTH:** phillips truss head

**PTO:** power-take-off

**RH:** right hand

**ROPS:** roll-over protection system

**RRB:** rear roller brush

**SFH:** slotted fillister head

**SHH:** slotted hex head

**SHWH:** slotted hex washer head

**SPH:** slotted pan head

**SQH:** square head

**SRH:** slotted round head

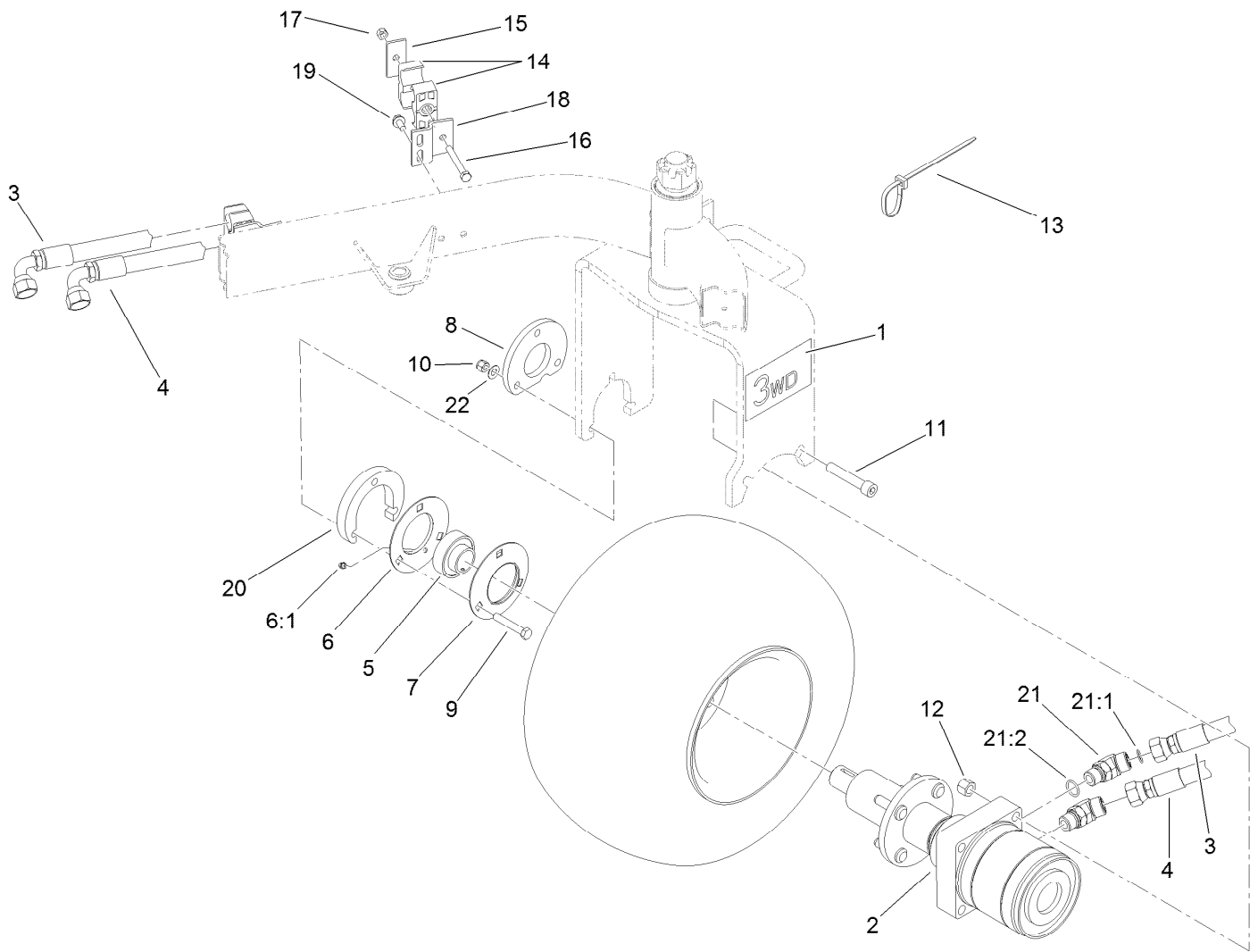
**STD:** standard

**TAP:** self tapping

**TTH:** torx truss head

# Contents

Wheel Motor Assembly ..... 4  
Motor and Hub Assembly ..... 5  
Hydraulic Motor Assembly No. 112-0225 ..... 6

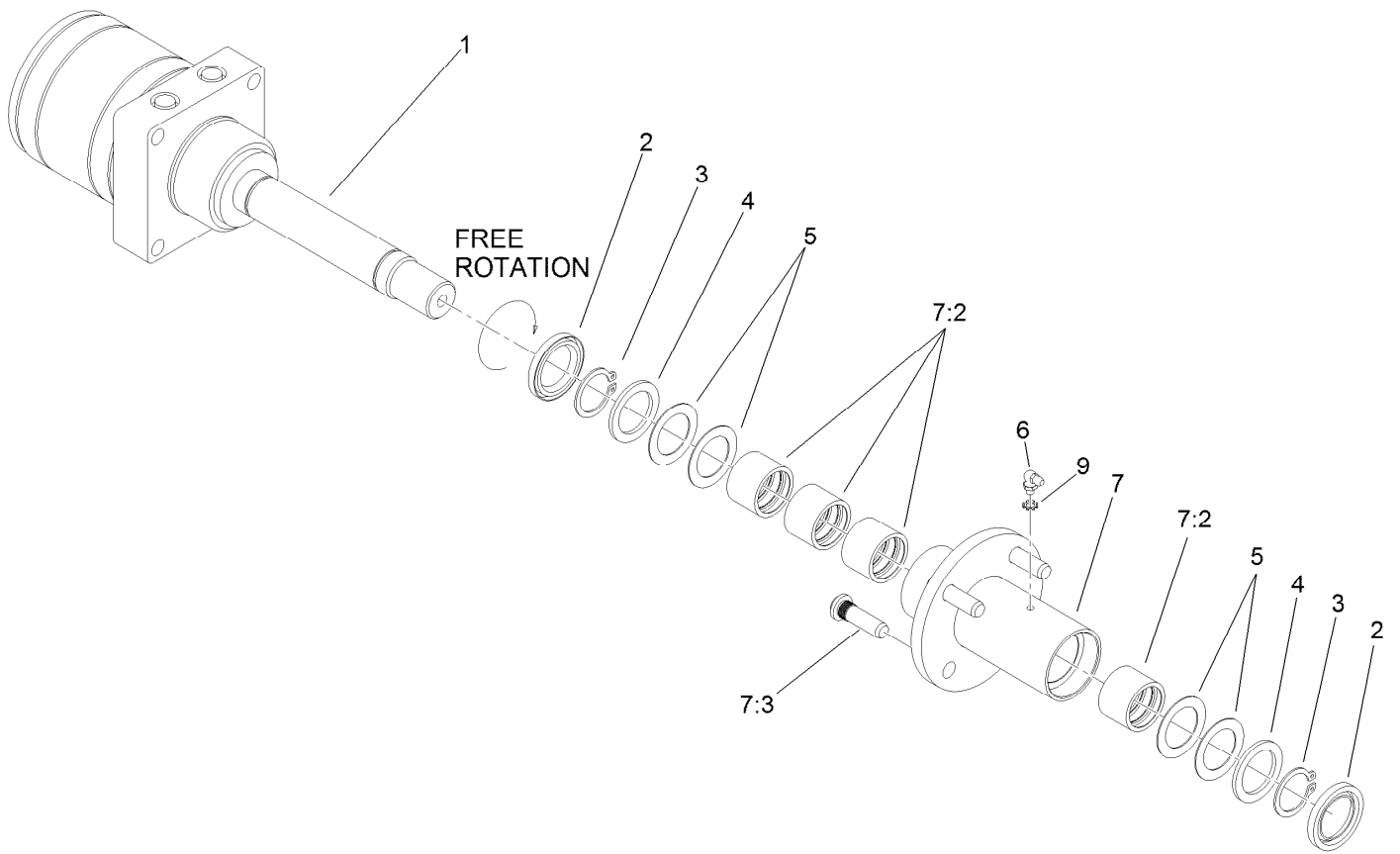


## Wheel Motor Assembly

Ref.	Part Number	Qty.	Description
1	92-9752	2	Decal
2		1	Motor And Hub ASM ●
3	95-0517	1	Hose ASM
4	100-6412	1	Hose ASM
5	251-352	1	Bearing
6	85-8940	1	Flangette-Relube
6:1	302-5	1	Fitting-Grease
7	85-8950	1	Flangette-Standard
8	112-0219-01	1	Spacer-Mount, 3Wd
9	323-45	3	Screw-HH
10	112-0236	3	Nut-Lock
11	3274-93	2	Screw-HSH
12	3296-23	2	Nut-Lock, NI

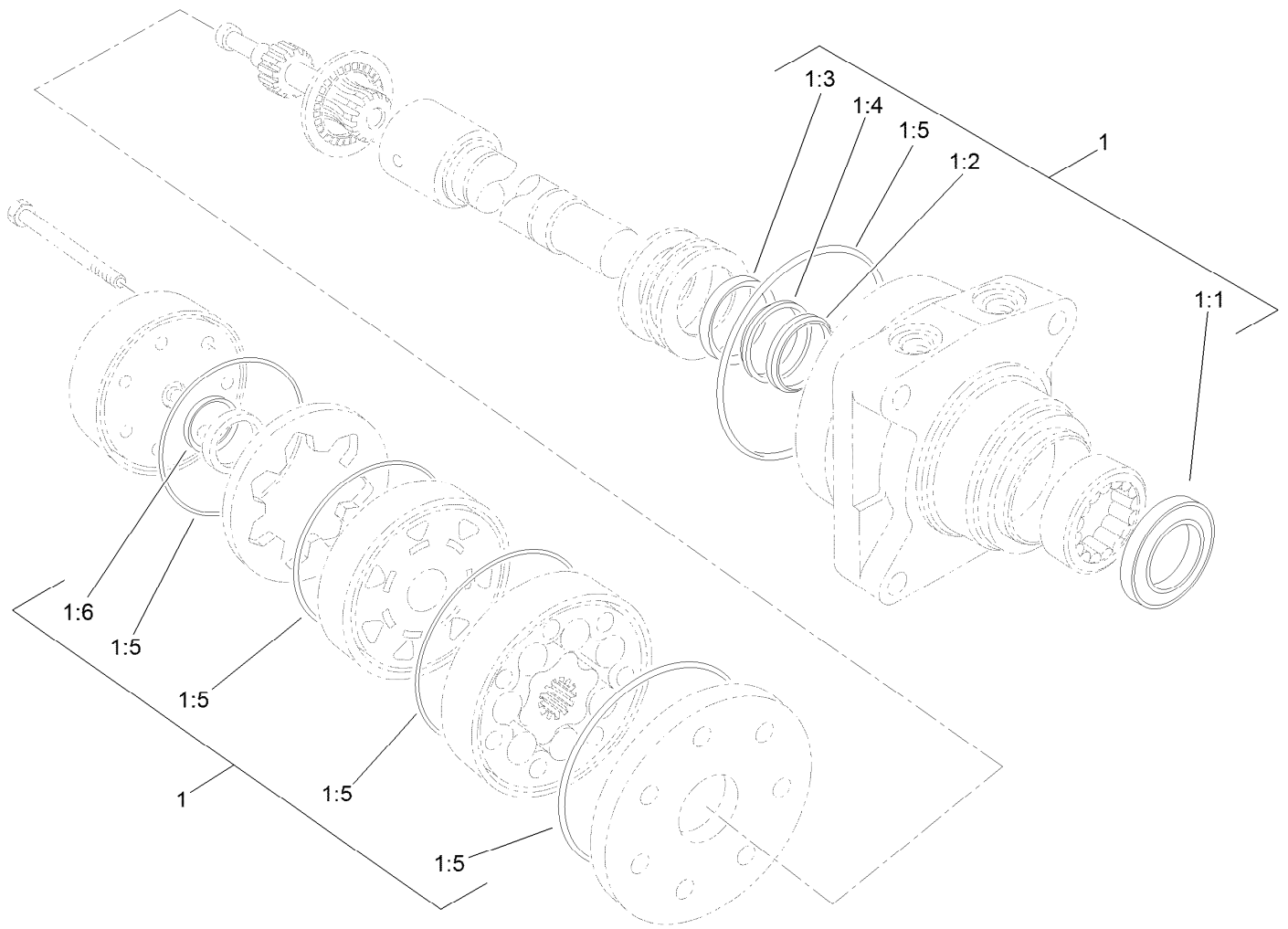
Ref.	Part Number	Qty.	Description
13	3290-378	1	Cable Tie
14	56-7974	4	Clamp-Tube
15	69-9761	2	Coverplate
16	33114-070	2	Screw-HH
17	33024-00	2	Nut-Lock
18	95-0516	2	Bracket-Clamp
19	32144-14	4	Screw-HWHTF
20	99-1487-01	1	Plate-Bearing, Adapter
21	340-14	2	Fitting-HYD, 45 DEG
21:1	237-65	1	O-Ring
21:2	237-80	1	O-Ring
22	108-1438	3	Washer-Hardened

● Not serviced separately



## Motor and Hub Assembly

<i>Ref.</i>	<i>Part Number</i>	<i>Qty.</i>	<i>Description</i>
1	112-0225	1	Motor-Hydraulic
2	92-9165	2	Seal
3	32151-10	2	Ring-Snap
4	92-9159	2	Washer
5	92-9166	4	Washer-Thrust
6	302-40	1	Fitting-Grease
7	100-6417	1	Hub ASM
7:2	92-9167	4	Clutch-Roller
7:3	10-6830	4	Stud-Type, Drive
9	3255-7	1	Washer-Lock/EXT



## Hydraulic Motor Assembly No. 112-0225

<i>Ref.</i>	<i>Part Number</i>	<i>Qty.</i>	<i>Description</i>
1	76-0800	1	Seal Kit
1:1		1	Seal-Dirt And Water ●
1:2		1	Backup-Ring ●
1:3		1	Seal-Shaft ●
1:4		1	Washer-Back Up ●
1:5		5	Seal-Square, Ring (Inner) ●
1:6		1	Seal-Commutator ●

● Not serviced separately

**Notes:**



**Count on it.**