



Count on it.

Parts Catalog

ProCore® SR70 Aerator

Model No. 09933—Serial No. 311000001 and Up

Ordering Replacement Parts

To order replacement parts, please supply the part number, the quantity, and the description of each part desired.

Understanding Reference Numbers

Each identified part in an illustration has a reference number. The reference number for a part also appears in the parts list, along with other information about the part.

This catalog uses two special reference number formats, one to indicate parts in a service assembly and another to indicate the quantity of a given part in an illustration.

Service Assembly Reference Numbers

Parts in service assemblies have reference numbers in the form a:b. The a represents the reference number of the entire service assembly and the b represents a sequential number unique to each part within the service assembly.

For example, a wheel assembly might be identified by reference number 6, the tire by 6:1, the valve by 6:2, and the wheel by 6:3. When you order the assembly identified by reference number 6, you receive all parts identified by reference numbers 6:1, 6:2, and 6:3. However, you may also order any part individually. Reference numbers of this type appear in illustration and in parts lists.

Reference Numbers Indicating Quantity

In an illustration, if a reference number indicates more than one part, the reference number has the form nX y. The n represents the quantity of the part, the X is the multiplication symbol, and the y represents the reference number.

For example, in an illustration, the reference number 2X 37 means that two of the parts identified by reference number 37 are indicated.

List of Abbreviations

AR: as required

ASM: assembly

BBC: blade brake control

BHTF: button head thread forming

CARR: carriage

CCW: counter clockwise

CW: clockwise

DEG: degrees

DPA: Dual Point Adjustment

ECM: electronic control module

EXT: external

FH: flat head

GA: gauge

HD: heavy-duty

HF: hex flange

HH: hex head

HHF: hex head flange

HHFTF: hex head flange thread forming

HJ: hex jam

HLH: hex lag head

HOC: height-of-cut

HSBH: hex socket button head

HSFH: hex socket flat head

HSH: hex socket head

HWH: hex washer head

HWTF: hex washer head thread forming

HYD: hydraulic

LH: left hand

LP: Liquid Propane

NI: nylon insert

NPTF: national pipe thread fine

PFH: phillips flat head

PPH: phillips pan head

PPHTF: phillips pan head thread forming

PRH: phillips round head

PTH: phillips truss head

PTO: power-take-off

RH: right hand

ROPS: roll-over protection system

RRB: rear roller brush

SFH: slotted fillister head

SHH: slotted hex head

SHWH: slotted hex washer head

SPH: slotted pan head

SQH: square head

SRH: slotted round head

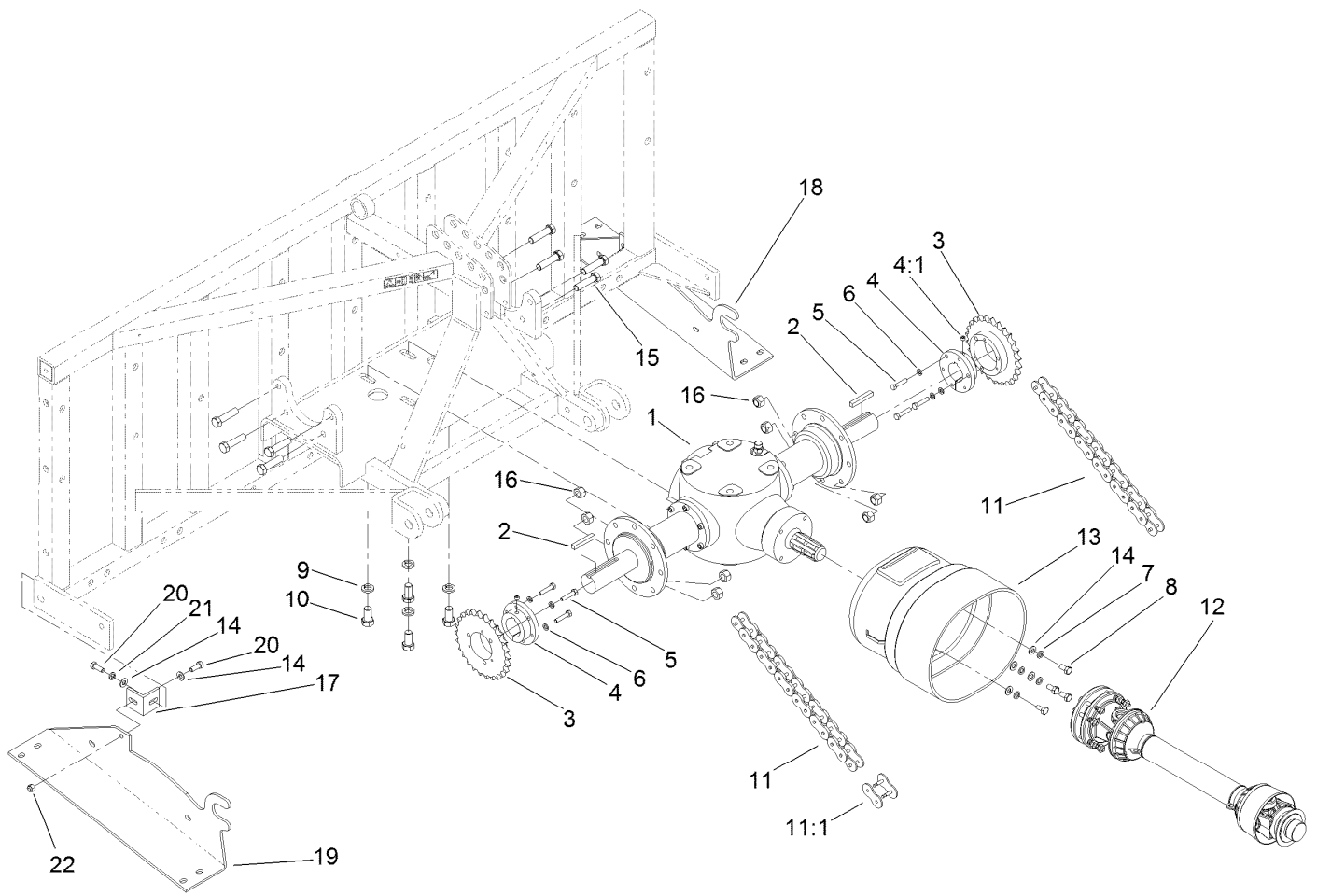
STD: standard

TAP: self tapping

TTH: torx truss head

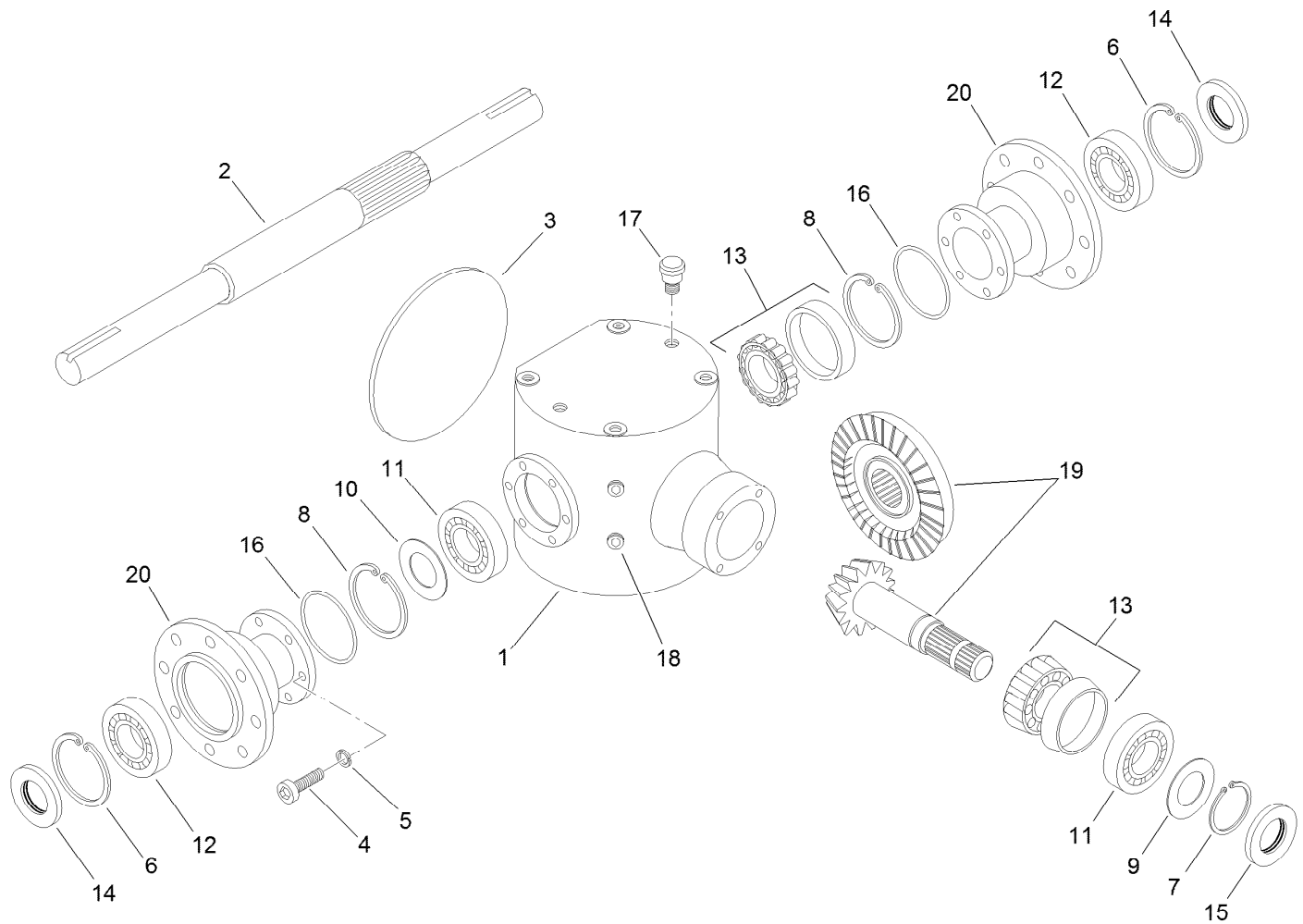
Contents

Drive Assembly	4
Gearbox Assembly No. SG504000-03	5
PTO Shaft Assembly No. SG528070	6
Frame and Roller Assembly	7
LH Crankshaft Assembly	9
Center Crankshaft Assembly	10
RH Crankshaft Assembly	11
Idler Assembly	12
Connecting Rod Assembly	13
Hinge Assembly	14
Linkage Arm Assembly	15
Head and Spring Assembly	16
Cover Assembly	17
Rear Guard Assembly	18
Attachments and Accessories	19



Drive Assembly

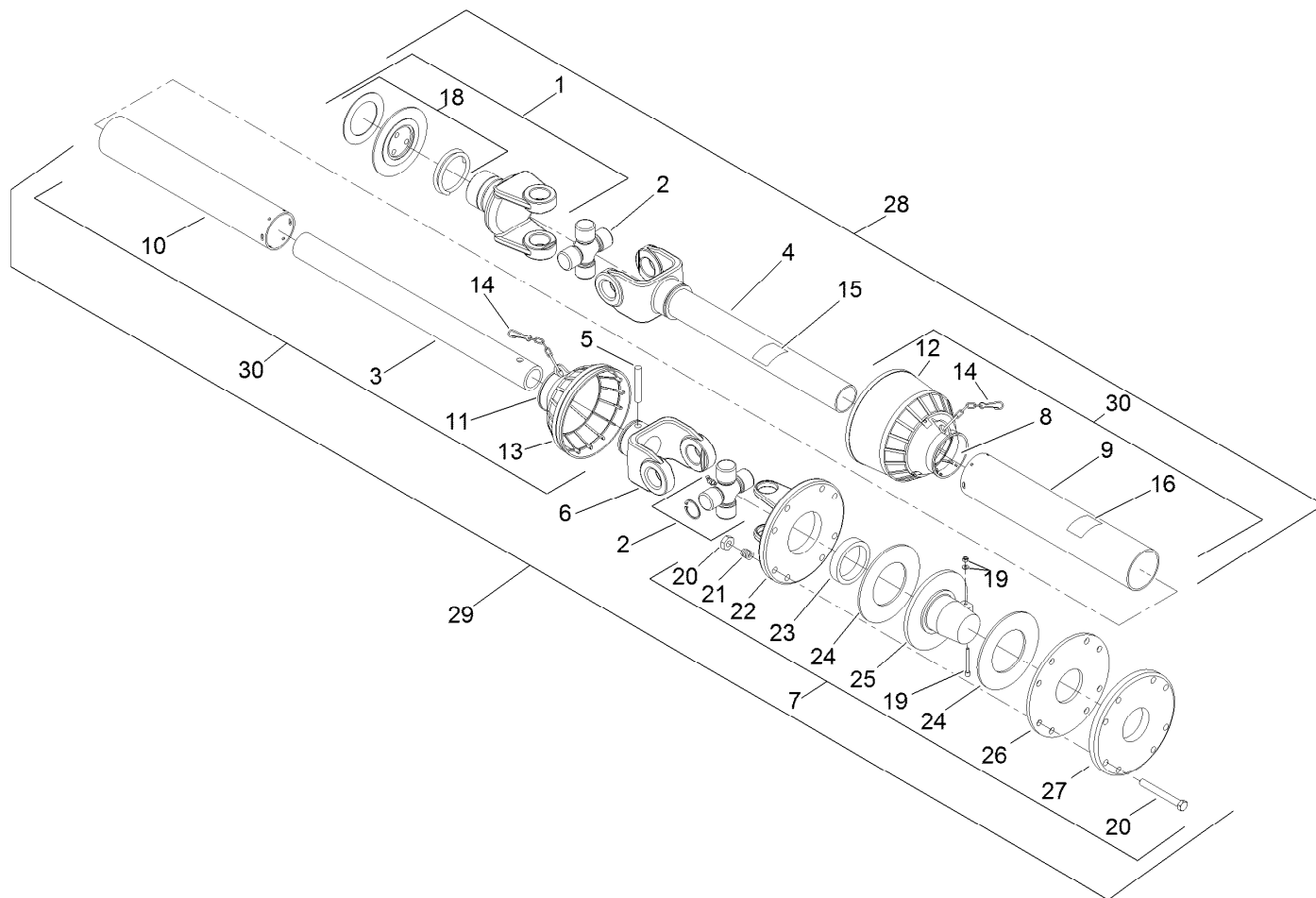
<i>Ref.</i>	<i>Part Number</i>	<i>Qty.</i>	<i>Description</i>	<i>Ref.</i>	<i>Part Number</i>	<i>Qty.</i>	<i>Description</i>
1	SG504000-03	1	Gearbox ASM	11:1	SG581083	1	Link-Master
2	80-6140	2	Key-Square	12	SG528070	1	PTO #5
3	SG517026	2	Gearbox-Sprocket	13	SG4170401	1	Cone-Shaft
4	SG527054	2	Sprocket-Hub	14	3256-24	8	Washer-Flat
4:1	3246-4	1	Screw-Set	15	SG562562	8	Screw-HH
5	5-1470	6	Screw-HH	16	99-4371	8	Nut-Lock
6	3253-4	6	Washer-Lock	17	117-7081-03	2	Angle-Mounting
7	48-9590	4	Washer-Lock	18	117-7139-03	1	Stand-Storage, LH
8	33115-020	4	Screw-HH	19	117-7138-03	1	Stand-Storage, RH
9	3253-8	4	Washer-Lock	20	323-6	4	Screw-HH
10	33118-030	4	Screw-HH	21	3253-21	2	Washer-Lock
11	SG580154	2	Chain-O-Ring	22	3296-39	2	Nut-Lock, NI



Gearbox Assembly No. SG504000-03

Ref.	Part Number	Qty.	Description	Ref.	Part Number	Qty.	Description
1		1	Housing-Gearbox ●	11	119-3228	2	Bearing-Ball
2	119-3221	1	Shaft-Gearbox, Output	12	119-3229	2	Bearing-Ball
3	119-3222	1	Cover-Housing, Gearbox	13	119-3230	2	Bearing-Roller
4	119-3244	12	Screw-HSH	14	119-3245	2	Seal-Oil
5	119-3249	12	Washer-Disc, Spring	15	119-3231	1	Seal-Oil
6	119-3223	2	Circlip-Internal	16	119-3246	2	Seal-Oil
7	119-3224	1	Circlip-External	17	119-3218	1	Plug-Breather
8	119-3225	2	Circlip-External	18	119-3219	3	Plug-HSH
9	119-3226	1	Shim Kit	19	119-3232	1	Gear-Bevel, Gearbox
10	119-3227	1	Shim Kit	20	119-3247	2	Housing-Gearbox

● Not serviced separately

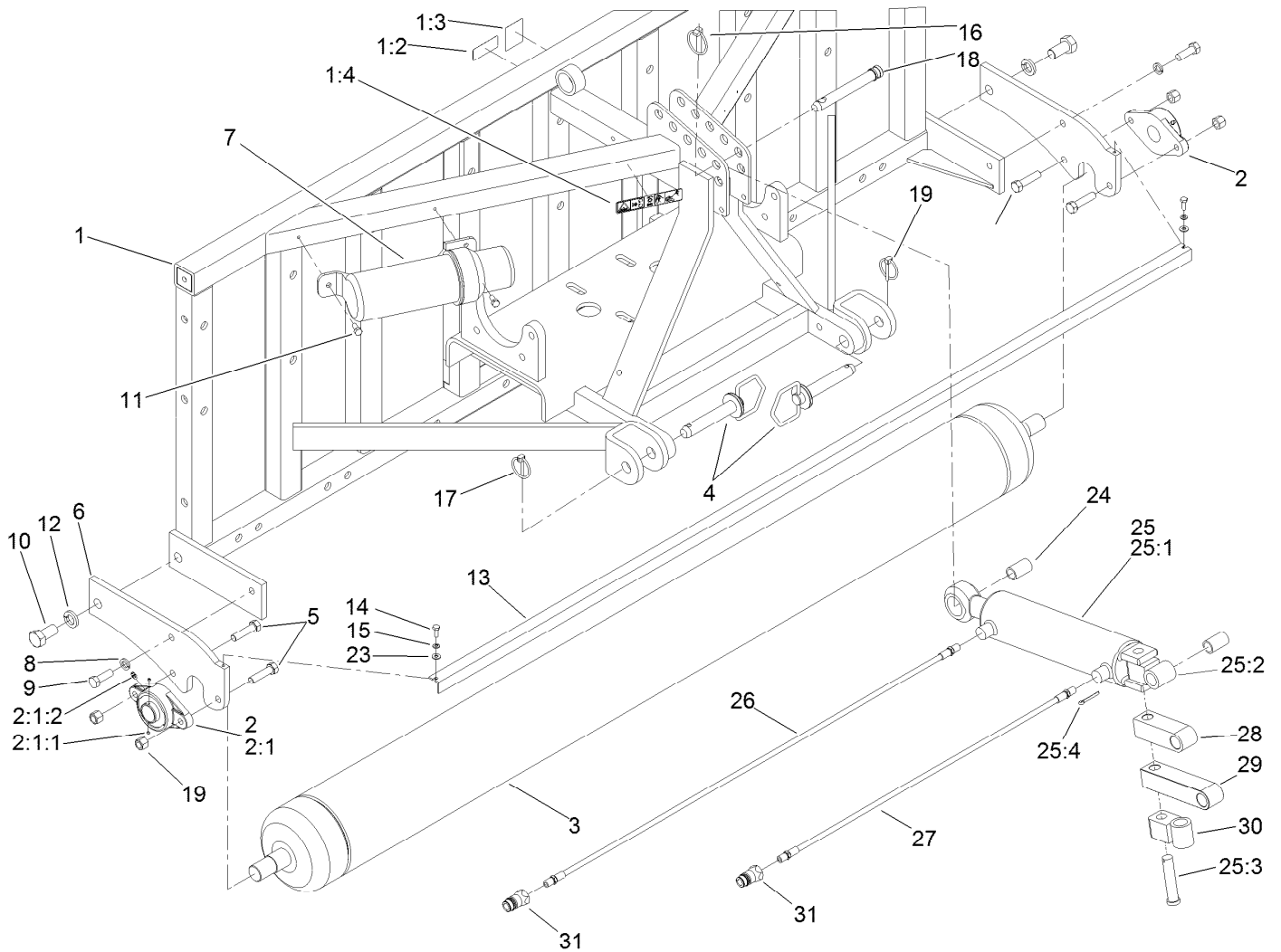


PTO Shaft Assembly No. SG528070

<i>Ref.</i>	<i>Part Number</i>	<i>Qty.</i>	<i>Description</i>	<i>Ref.</i>	<i>Part Number</i>	<i>Qty.</i>	<i>Description</i>
1	01-282-2240	1	Yoke-Rs	16	119-3115	1	Decal-Danger
2	119-3131	2	Cross Kit	17	119-3116	1	Booklet-Instruction, Usa ●
3		1	Tube-Inner ■	18	119-3117	1	Ball And Collar Kit
4		1	Yoke And Tube ASM ■	19	119-3118	1	Screw And Nut ASM
5	119-3134	1	Pin-Roll	20	119-3119	8	Bolt And Nut ASM
6	01-282-2100	1	Yoke-Tube, Inner	21	119-3143	8	Spring
7	119-3136	1	Clutch ASM	22		1	Yoke-Flange ■
8	01-282-0370	1	Bearing-Sheild	23		1	Bushing ■
9		1	Tube-Outer ■	24	119-3145	2	Lining-Clutch, PTO
10		1	Tube-Cover ■	25		1	Hub ■
11		1	Support-Shield ■	26	119-3147	1	Plate-Pressure
12	01-282-0390	1	Cone-Tube, Outer	27	119-3148	1	Plate-Outer
13		1	Cone Sets ■	28	119-3149	1	Half Shaft
14	119-3113	2	Chain-Safety	29	119-3150	1	Half Shaft
15	119-3114	1	Decal-Danger	30	119-3151	1	Shield ASM

● Not illustrated

■ Not serviced separately

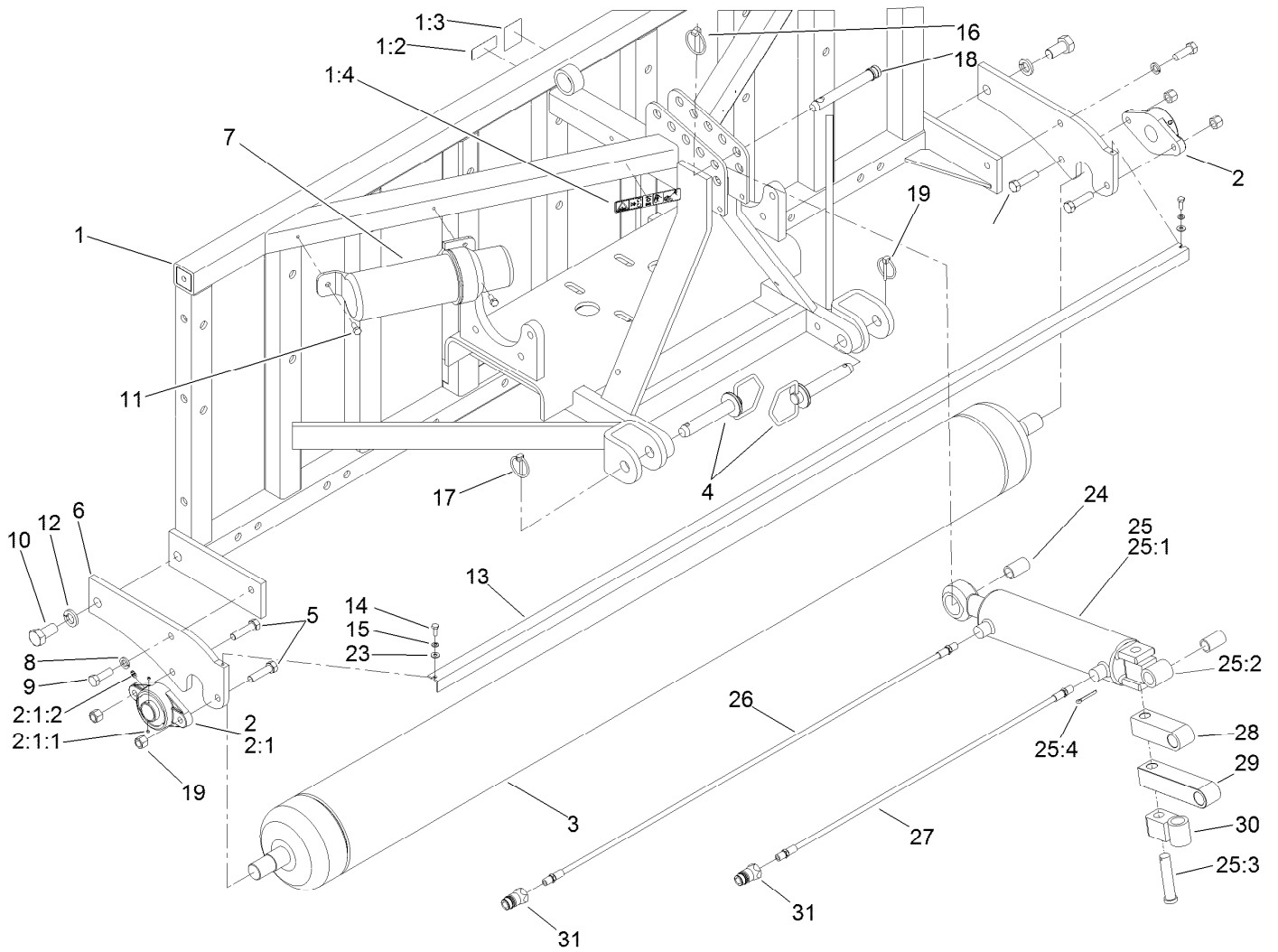


Frame and Roller Assembly

Ref.	Part Number	Qty.	Description	Ref.	Part Number	Qty.	Description
1	120-1071	1	Frame ASM	14	321-4	2	Screw-HH
1:2	117-7052	1	Decal-No Oil	15	3253-3	2	Washer-Lock
1:3	100-3612	1	Decal-Warning	16	100-5389	1	Pin-Lynch
1:4	110-4668	1	Decal-Warning, PTO	17	92-1298	2	Pin-Lynch
2	SG637070-03	2	Bearing-Roller	18	SG715450	1	Pin-Link, Top
2:1		1	Bearing-Flange ■	19	3296-23	4	Nut-Lock, NI
2:1:1	3245-35	2	Screw-Set, HSH	23	3256-22	2	Washer-Flat
2:1:2	302-19	1	Fitting-Grease	24	SG555013	2	Bushing
3	SG627070-03	1	Roller-Main, Large	25	SG715010	1	HYD Cylinder ASM
4	112-4378	2	Pin-Hitch	25:1		1	Cylinder-HYD ■
5	SG271517	4	Screw-HH	25:1:1	117-7175	1	Seal Kit ●
6	SG639072-01	2	Boot-Roller, Single	25:2	117-7182-03	1	Pivot-End, Cylinder
7	SG999018	1	Canister-Manual, Operators	25:3	108-2800	1	Pin-Clevis
8	3253-7	2	Washer-Lock	25:4	3272-23	1	Pin-Cotter
9	325-6	2	Screw-HH	26	SG795250	1	Hose ASM (Long)
10	328-26	2	Screw-HH	27	SG795245	1	Hose ASM (Short)
11	322-3	2	Screw-HH	28	SG795554-03	1	Extension-Adapter, 3.50 Inch
12	3253-9	2	Washer-Lock				
13	SG678970-03	1	Angle-Scraper				

● Not illustrated

■ Not serviced separately



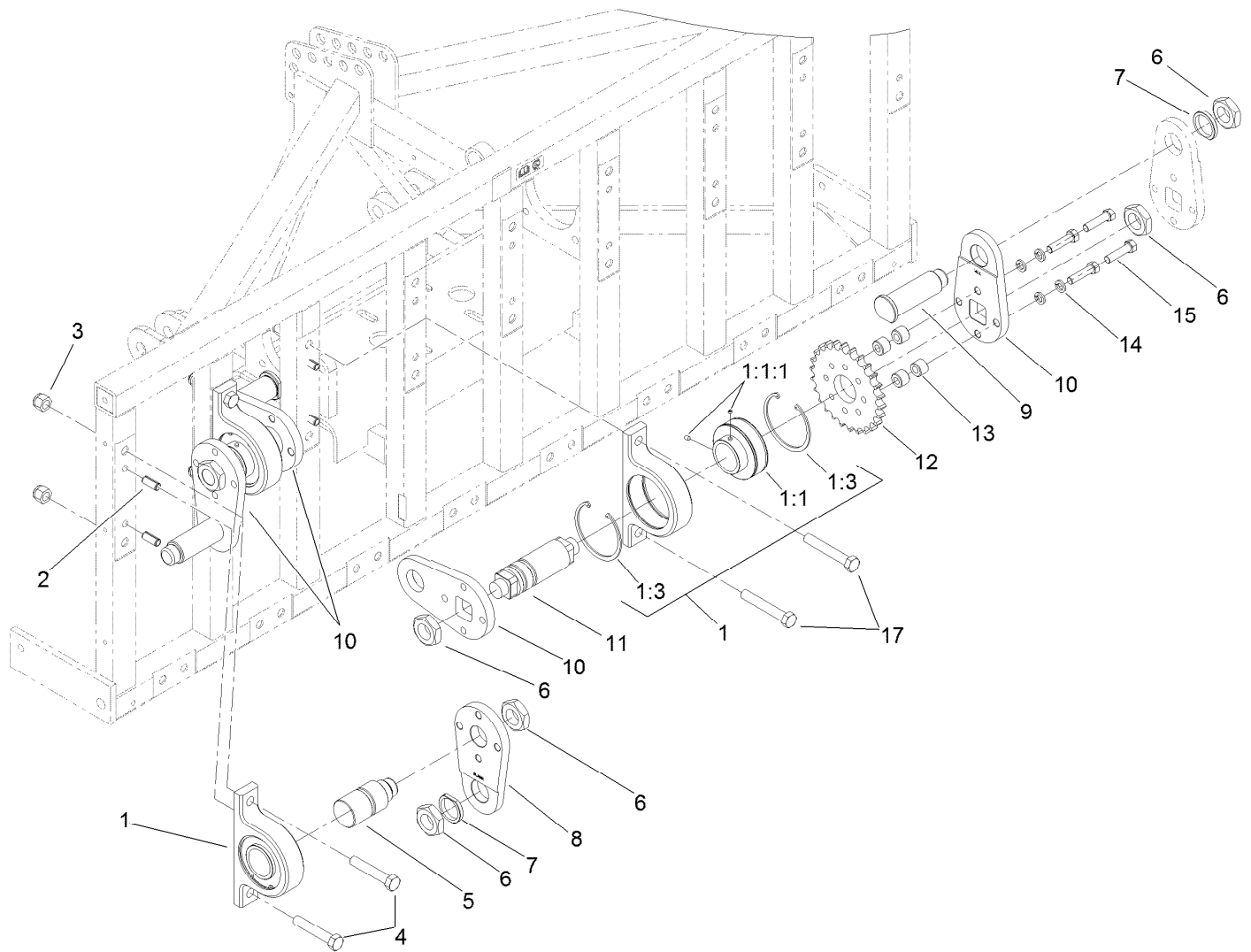
Frame and Roller Assembly (continued)

Ref.	Part Number	Qty.	Description
29	SG795551-03	1	Extension-Adapter, 5.50 Inch

Ref.	Part Number	Qty.	Description
30	117-7124-03	1	Mount-Adapter, 90 DEG
31	120-1032	2	Fitting-HYD

● Not illustrated

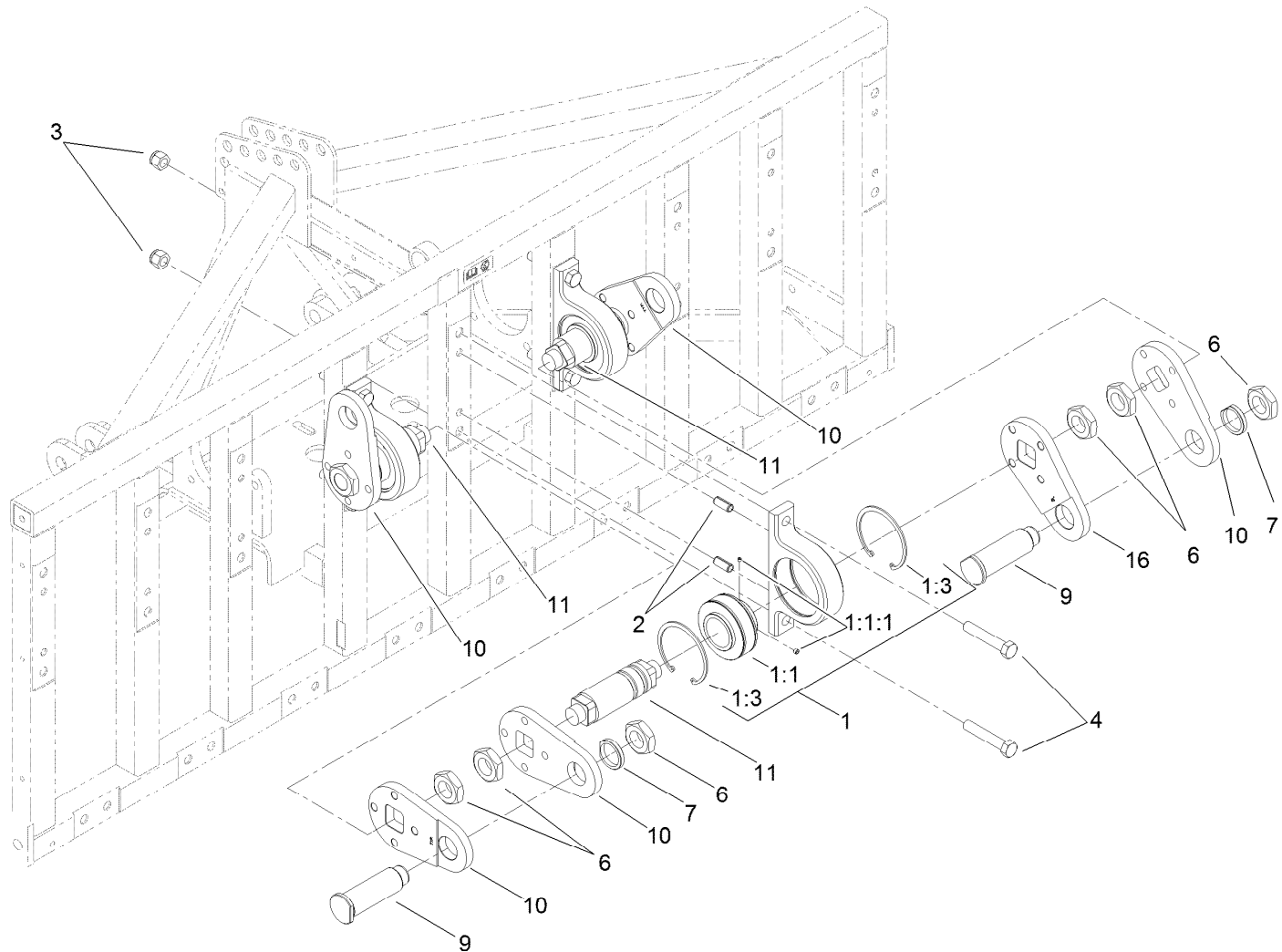
■ Not serviced separately



LH Crankshaft Assembly

Ref.	Part Number	Qty.	Description	Ref.	Part Number	Qty.	Description
1	SG204577	3	Bearing ASM	8	SG207054	1	Arm-Crank
1:1		1	Bearing-Ball ●	9	SG257054	3	Pin-Crank
1:1:1	99-0195	2	Screw-Set, HSH	10	SG217054	4	Arm-Crank
1:3	SG427540	2	Ring-Retaining	11	SG217354	2	Crankshaft
2	105-1041	6	Pin-Spring	12	SG217026	1	Sprocket-Crank
3	3296-53	6	Nut-Lock, NI	13	SG267500	4	Spacer
4	327-14	4	Screw-HH	14	3253-7	4	Washer-Lock
5	SG217557	1	Shaft-Stub, Outside	15	SG271517	4	Screw-HH
6	SG267200	8	Nut-Hex	17	327-16	2	Screw-HH
7	SG247540	3	Washer-Clipped				

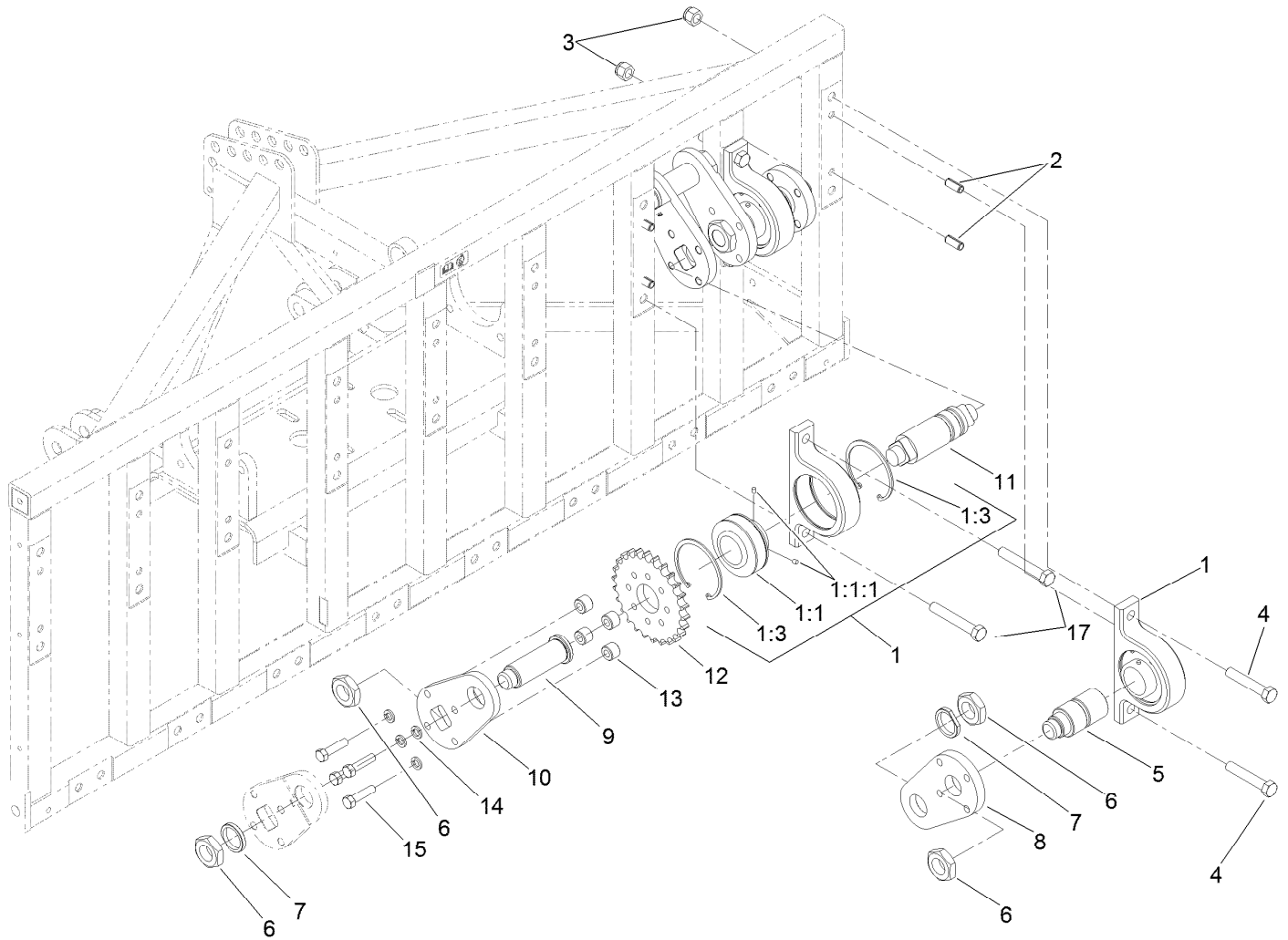
● Not serviced separately



Center Crankshaft Assembly

Ref.	Part Number	Qty.	Description
1	SG204577	3	Bearing ASM
1:1		1	Bearing-Ball ●
1:1:1	99-0195	2	Screw-Set, HSH
1:3	SG427540	2	Ring-Retaining
2	105-1041	6	Pin-Spring
3	3296-53	6	Nut-Lock, NI
4	327-14	6	Screw-HH
6	SG267200	8	Nut-Hex
7	SG247540	2	Washer-Clipped
9	SG257054	2	Pin-Crank
10	SG217054	5	Arm-Crank
11	SG217354	3	Crankshaft
16	SG217554	1	Arm-Crank, 45 DEG

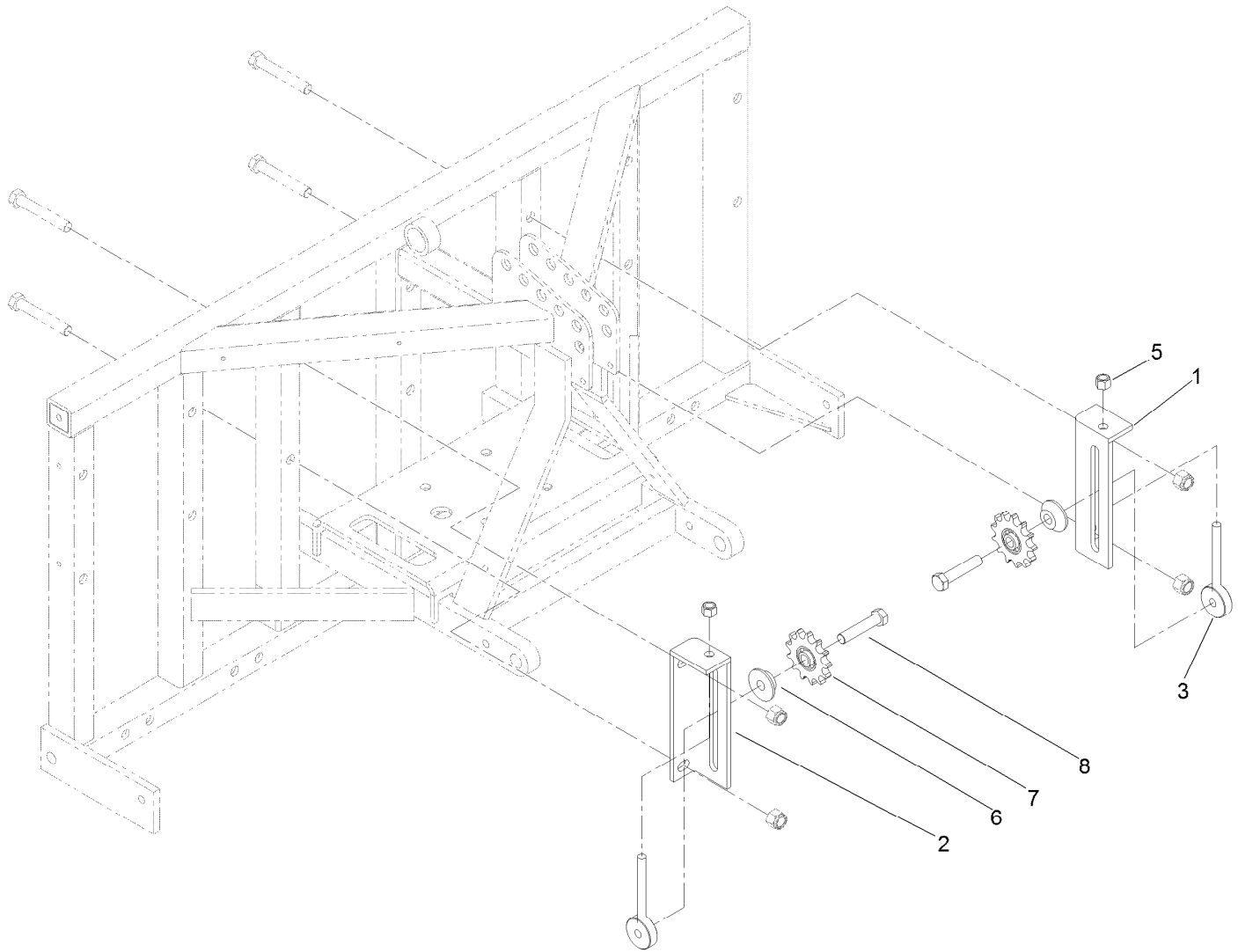
● Not serviced separately



RH Crankshaft Assembly

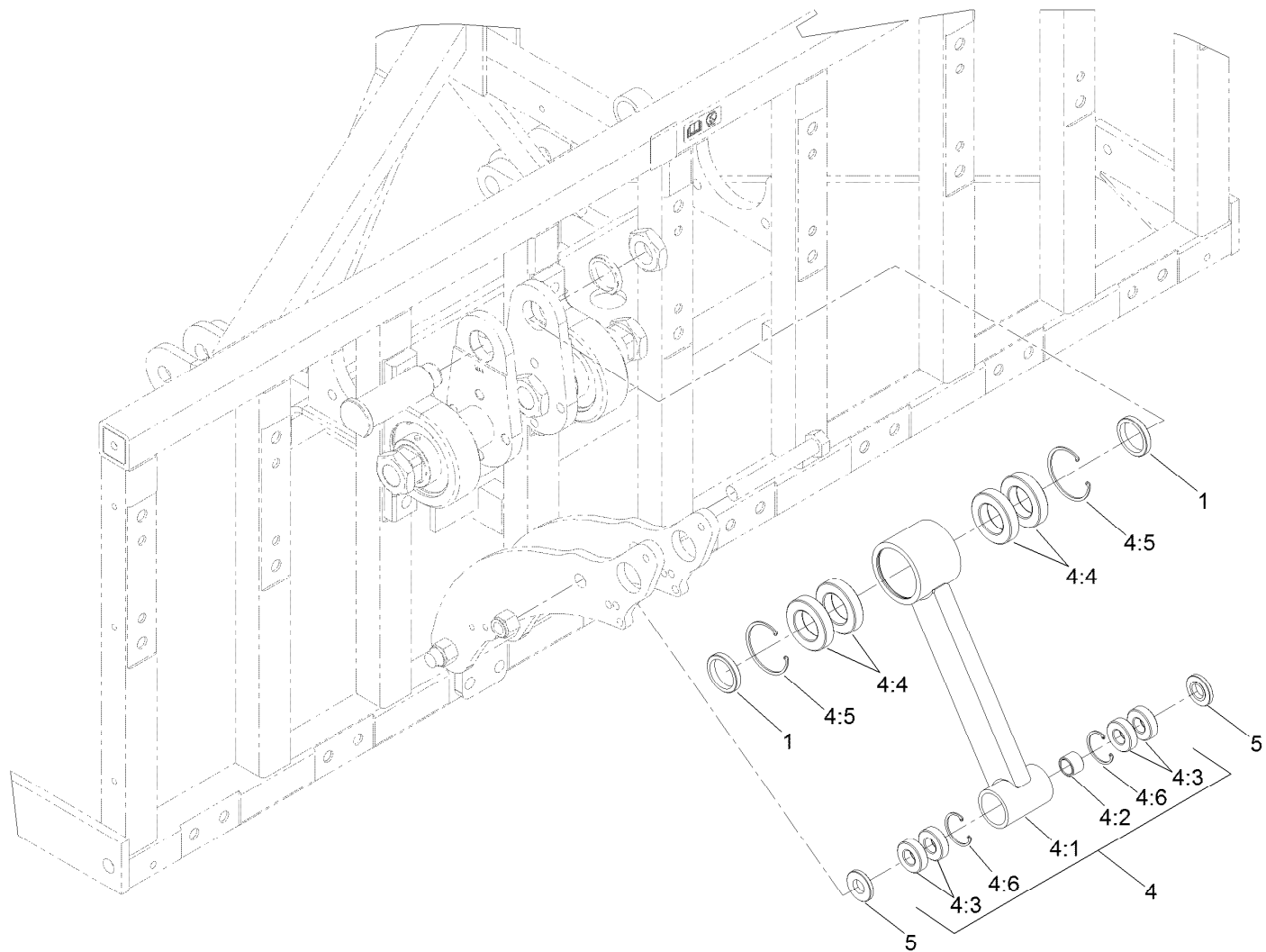
<i>Ref.</i>	<i>Part Number</i>	<i>Qty.</i>	<i>Description</i>	<i>Ref.</i>	<i>Part Number</i>	<i>Qty.</i>	<i>Description</i>
1	SG204577	3	Bearing ASM	8	SG207054	1	Arm-Crank
1:1		1	Bearing-Ball ●	9	SG257054	3	Pin-Crank
1:1:1	99-0195	2	Screw-Set, HSH	10	SG217054	4	Arm-Crank
1:3	SG427540	2	Ring-Retaining	11	SG217354	2	Crankshaft
2	105-1041	6	Pin-Spring	12	SG217026	1	Sprocket-Crank
3	3296-53	6	Nut-Lock, NI	13	SG267500	4	Spacer
4	327-14	4	Screw-HH	14	3253-7	4	Washer-Lock
5	SG217557	1	Shaft-Stub, Outside	15	SG271517	4	Screw-HH
6	SG267200	8	Nut-Hex	17	327-16	2	Screw-HH
7	SG247540	3	Washer-Clipped				

● Not serviced separately



Idler Assembly

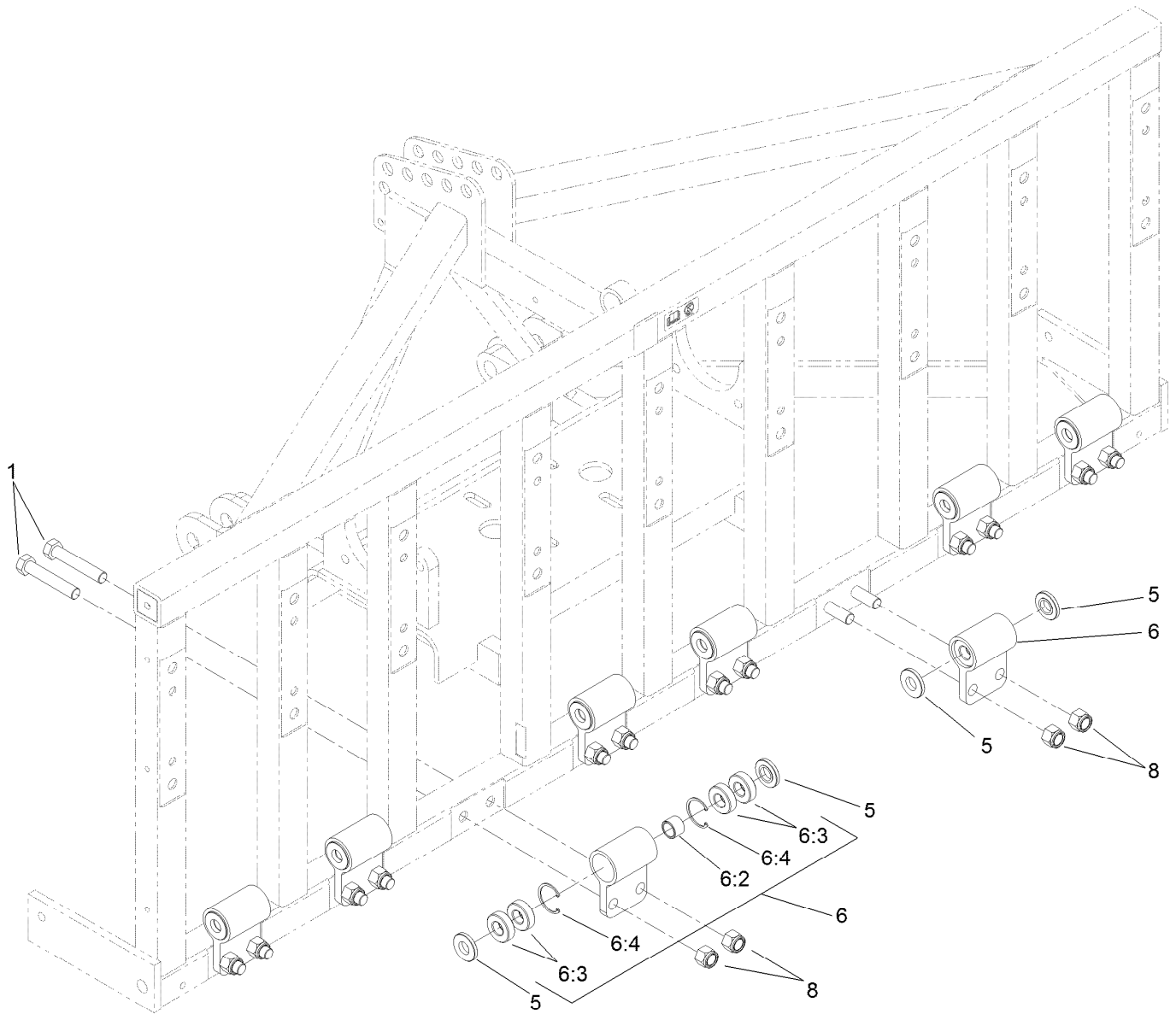
<i>Ref.</i>	<i>Part Number</i>	<i>Qty.</i>	<i>Description</i>
1	SG587054-03	1	Bracket-Idler
2	SG597054-03	1	Bracket-Idler
3	SG587202	2	Rod-Idler
5	3296-23	2	Nut-Lock, NI
6	SG537500	2	Spacer-Offset
7	SG517054	2	Sprocket-Idler
8	327-9	2	Screw-HH



Connecting Rod Assembly

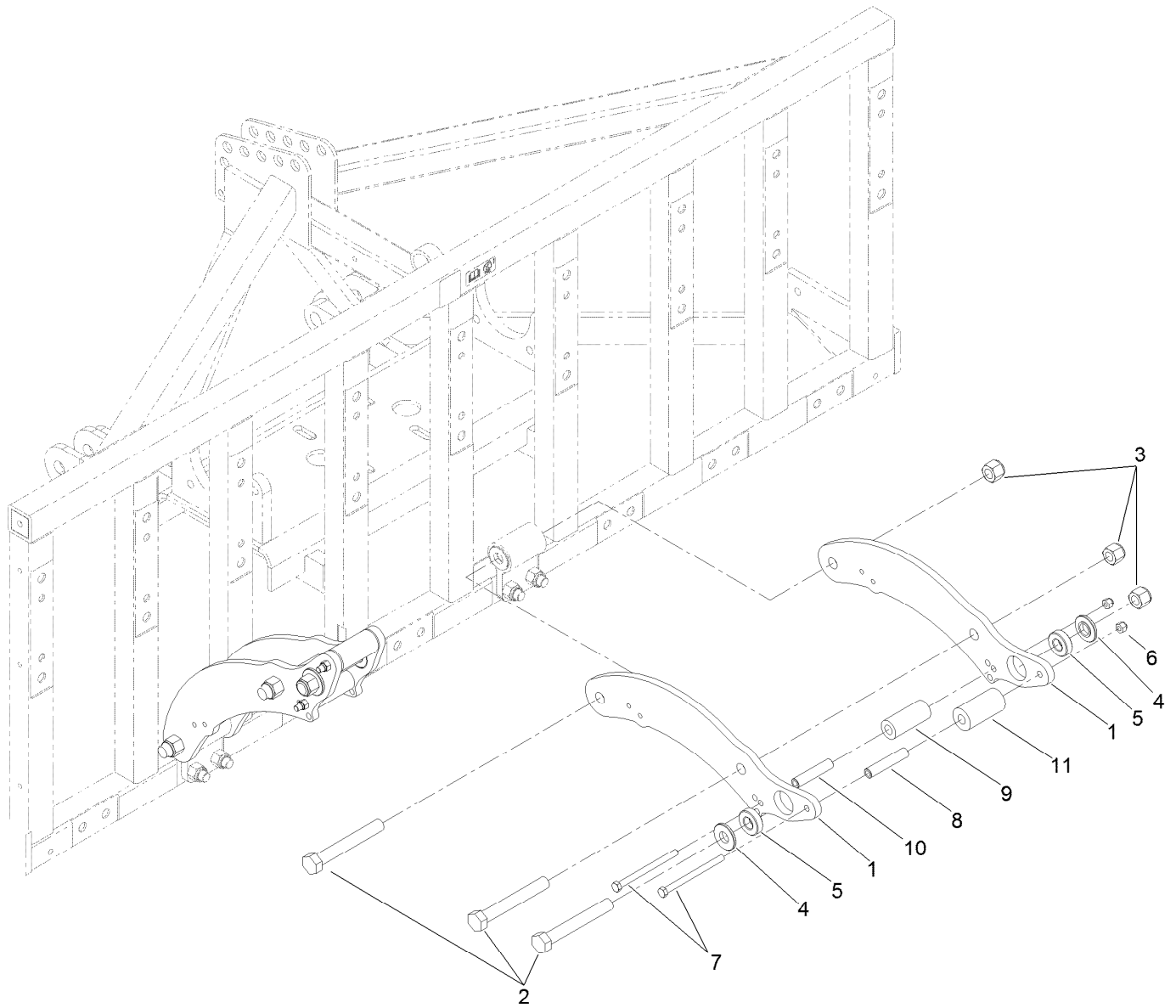
Ref.	Part Number	Qty.	Description
1	SG337100	16	Bushing-Outer
4	SG135154	8	Connecting Rod ASM
4:1		1	Rod-Connecting ●
4:2	SG337010	1	Bushing-Inner
4:3	SG337075	4	Bearing-Ball
4:4	SG337590	4	Bearing-Ball
4:5	SG427541	2	Ring-Retaining, Internal
4:6	SG427625	2	Ring-Retaining, Internal
5	SG337050	16	Bushing-Outer

● Not serviced separately



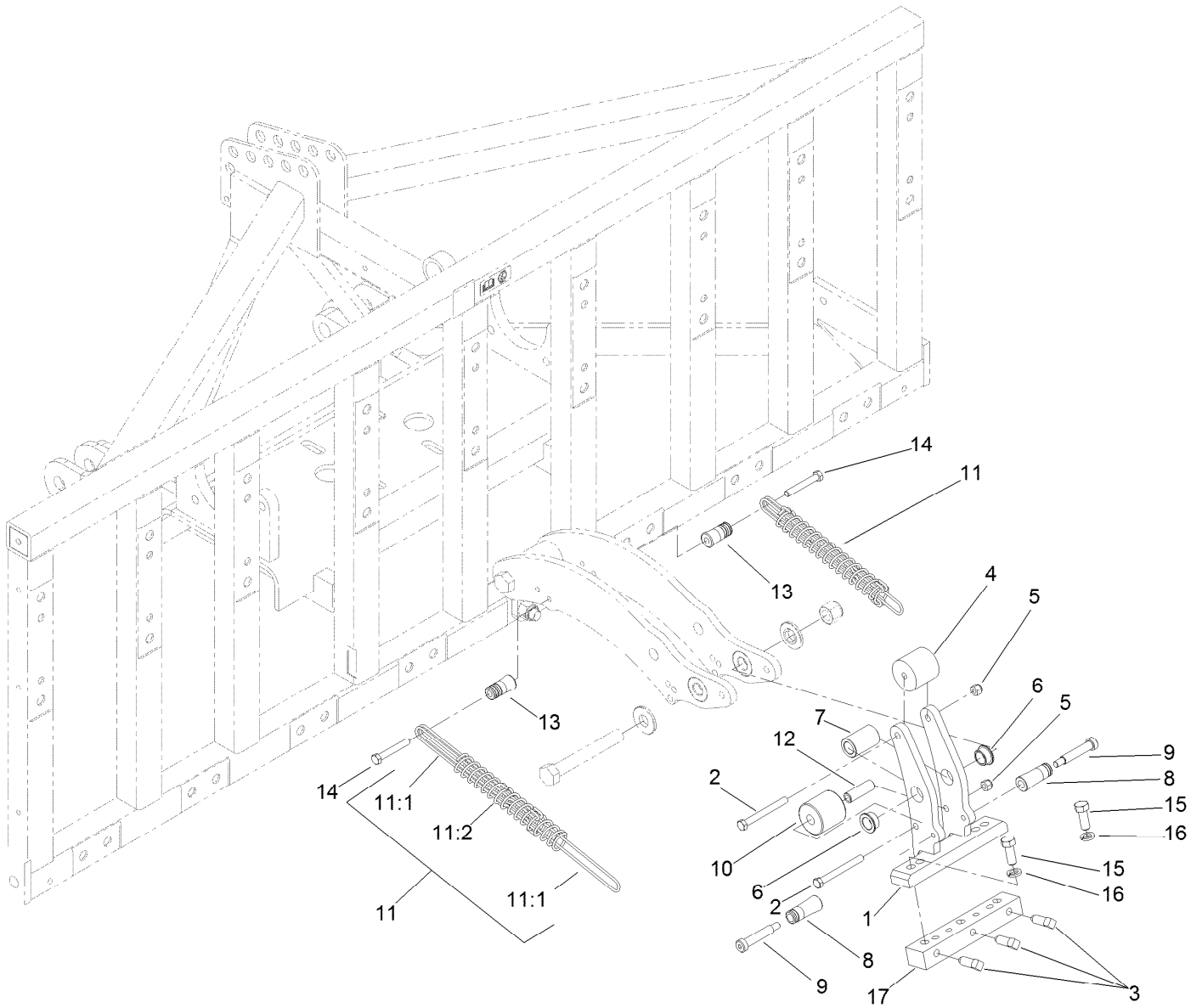
Hinge Assembly

Ref.	Part Number	Qty.	Description
1	327-14	16	Screw-HH
5	SG337050	16	Bushing-Outer
6	SG136354	8	Rear Spool ASM
6:2	SG337010	1	Bushing-Inner
6:3	SG337075	4	Bearing-Ball
6:4	SG427625	2	Ring-Retaining, Internal
8	3296-53	16	Nut-Lock, NI



Linkage Arm Assembly

<i>Ref.</i>	<i>Part Number</i>	<i>Qty.</i>	<i>Description</i>
1	SG387055-03	16	Arm-Linkage, Arched
2	328-12	24	Screw-HH
3	3296-51	24	Nut-Lock, NI
4	SG437125	16	Bushing-Outer
5	SG337075	16	Bearing-Ball
6	3296-39	16	Nut-Lock, NI
7	323-21	16	Screw-HH
8	SG337300	8	Spacer-Linkage
9	SG487125	8	Bumper-Rubber
10	SG486312	8	Spacer-Arm, Linkage
11	SG487126	8	Bumper-Rubber

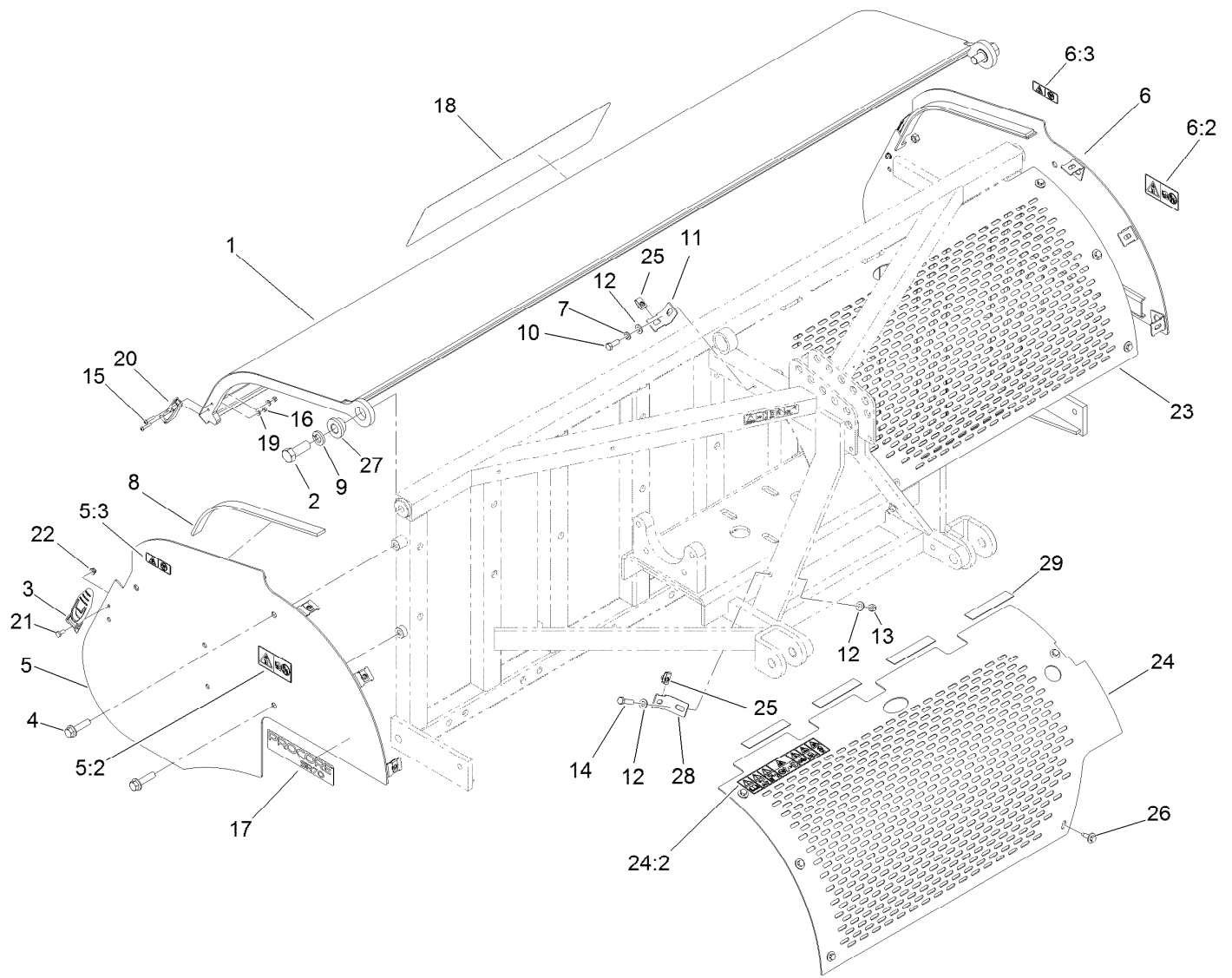


Head and Spring Assembly

Ref.	Part Number	Qty.	Description
1	SG404070-03	8	Head-Tine
2	323-15	16	Screw-HH
3	SG477125	40	Screw-Set, SQH
4	SG487200	8	Bumper-Head
5	3296-39	16	Nut-Lock, NI
6	SG447080	16	Bushing-Flanged
7	SG437100-03	8	Spacer-Head
8	SG449127-03	16	Post-Spring
9	SG449129	16	Bolt-Shoulder
10	SG487201	8	Spacer-Plastic

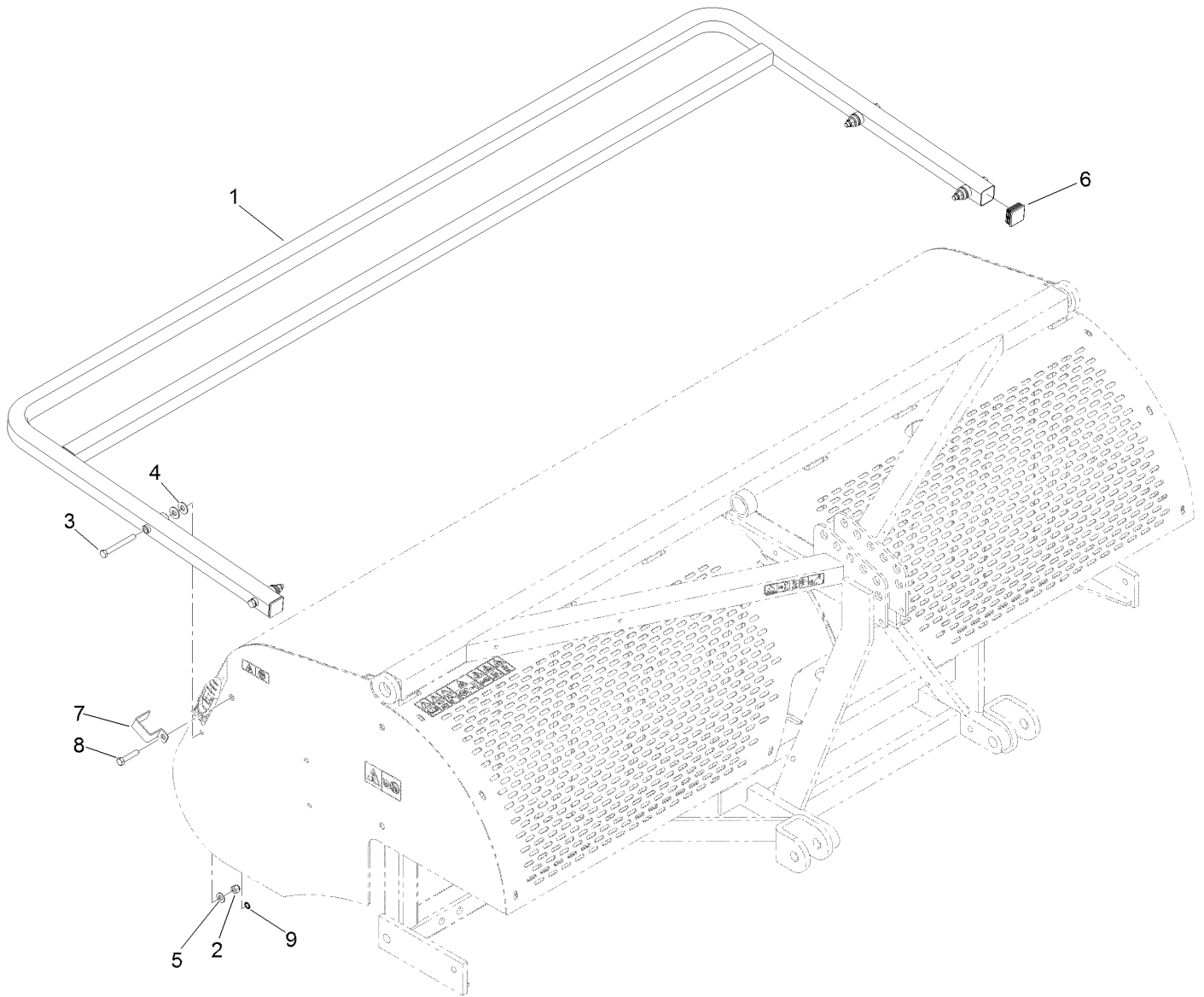
Ref.	Part Number	Qty.	Description
11		16	Spring ASM ●
11:1	SG487256	3	Wire-Draw, Spring
11:2	SG487257	1	Spring-Compression
12	SG486311	8	Tube-Metal, Head Bumper
13	SG449126-03	16	Post-Spring
14	323-12	16	Screw-HH
15	325-6	16	Screw-HH
16	3253-7	16	Washer-Lock
17	SGH08704-03	8	Head-Tine, Adapter

● Not serviced separately



Cover Assembly

Ref.	Part Number	Qty.	Description	Ref.	Part Number	Qty.	Description
1	120-7329-03	1	Hood ASM	13	3296-39	2	Nut-Lock, NI
2	328-24	2	Screw-HH	14	323-8	2	Screw-HH
3	103-2898	2	Latch-Rubber	15	108-3153	4	Screw-HSBH
4	3234-27	4	Screw-HHF	16	3296-2	4	Nut-Lock, NI
5	120-7256	1	RH Shield ASM	17	117-7085	2	Decal
5:2	117-7051	1	Decal-Danger, Keep Away Ce	18	117-7056	1	Decal
5:3	120-0625	1	Decal-Warning, Pinch Point	19	3256-14	4	Washer-Flat
6	120-7257	1	LH Shield ASM	20	103-2897	2	Latch-Catch
6:2	117-7051	1	Decal-Danger, Keep Away Ce	21	321-3	2	Screw-HH
6:3	120-0625	1	Decal-Warning, Pinch Point	22	104-7201	2	Nut-HF
7	3253-21	2	Washer-Lock	23	120-7326	1	Screen-Front, Left
8	120-7273	2	Strip-Rubber	24	120-7328	1	Front Right Guard ASM
9	3253-9	2	Washer-Lock	24:2	117-7050	1	Decal-Warning, Ce
10	323-6	2	Screw-HH	25	94-2413	10	U-Nut
11	120-1011-03	2	Bracket-Shield	26	114-8418	10	Screw-HWH, Sems
12	3256-24	6	Washer-Flat	27	120-1021	2	Bushing-Hood
				28	120-7323	2	Bracket-Shield
				29	120-1087	8	Strip-Rubber



Rear Guard Assembly

<i>Ref.</i>	<i>Part Number</i>	<i>Qty.</i>	<i>Description</i>
1	120-7322-03	1	Rear Guard ASM
2	3296-39	4	Nut-Lock, NI
3	323-20	4	Screw-HH
4	3256-4	8	Washer-Flat
5	3256-24	4	Washer-Flat
6	120-7261	2	Cap-End, Square
7	110-4673	2	Lock-Latch, Ce
8	323-53	2	Screw-HH
9	32151-72	2	Ring-Retaining

Attachments and Accessories

For 09933 ProCore SR70 Aerator

Product Name	Model/Part
Rear Roller Kit	09953
2x18mm Tine Head Adapter Kit	117-7194
2x12mm or 2x5/16-inch Tine Head Adapter Kit	117-7195
4x3/8-inch or 4x5/16-inch Tine Head Adapter Kit	117-7196
8x3/8-inch Tine Head Adapter Kit	117-7199



Count on it.