



Count on it.

Parts Catalog

ProCore® SR54-S Aerator

Model No. 09932—Serial No. 311000001 and Up

Ordering Replacement Parts

To order replacement parts, please supply the part number, the quantity, and the description of each part desired.

Understanding Reference Numbers

Each identified part in an illustration has a reference number. The reference number for a part also appears in the parts list, along with other information about the part.

This catalog uses two special reference number formats, one to indicate parts in a service assembly and another to indicate the quantity of a given part in an illustration.

Service Assembly Reference Numbers

Parts in service assemblies have reference numbers in the form a:b. The a represents the reference number of the entire service assembly and the b represents a sequential number unique to each part within the service assembly.

For example, a wheel assembly might be identified by reference number 6, the tire by 6:1, the valve by 6:2, and the wheel by 6:3. When you order the assembly identified by reference number 6, you receive all parts identified by reference numbers 6:1, 6:2, and 6:3. However, you may also order any part individually. Reference numbers of this type appear in illustration and in parts lists.

Reference Numbers Indicating Quantity

In an illustration, if a reference number indicates more than one part, the reference number has the form nX y. The n represents the quantity of the part, the X is the multiplication symbol, and the y represents the reference number.

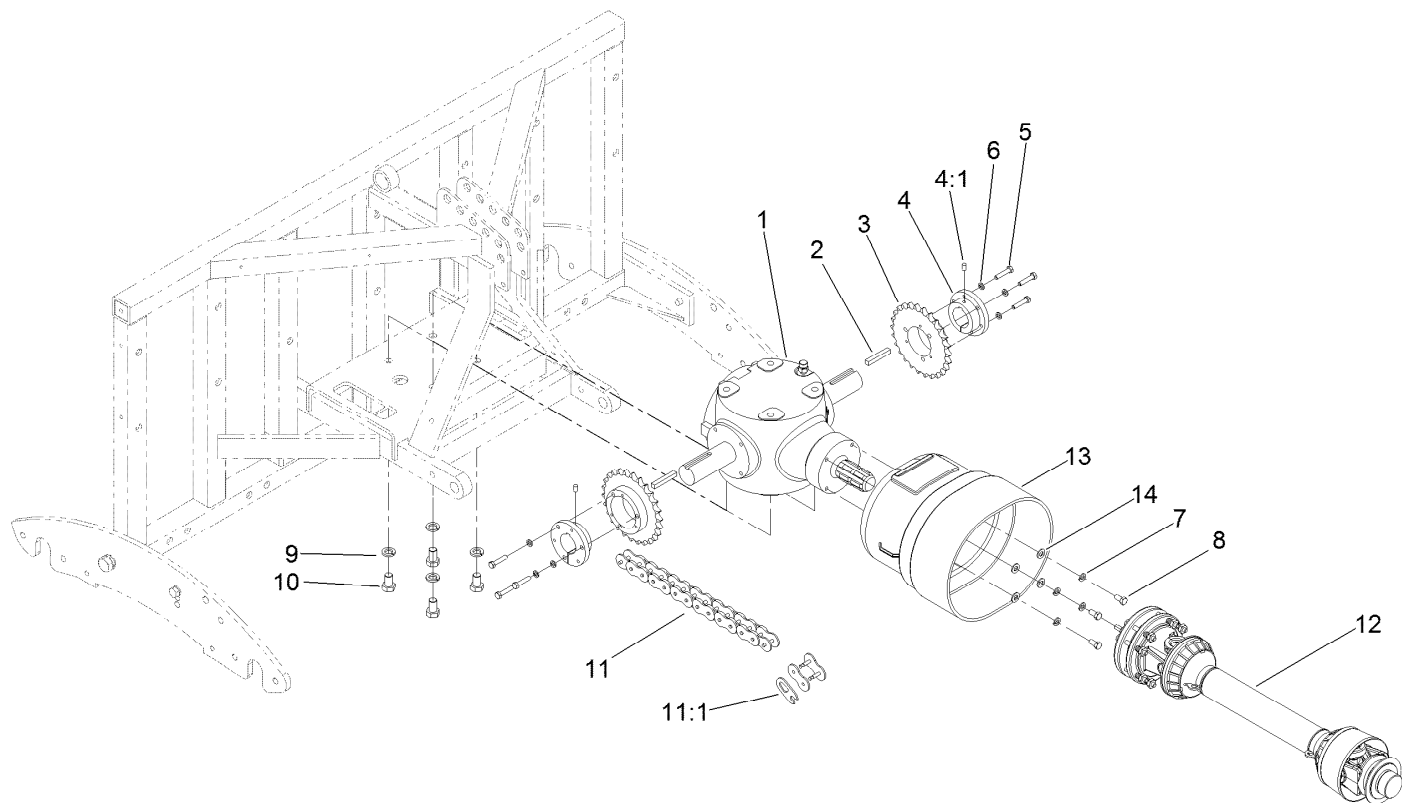
For example, in an illustration, the reference number 2X 37 means that two of the parts identified by reference number 37 are indicated.

List of Abbreviations

AR: as required	HOC: height-of-cut	RRB: rear roller brush
ASM: assembly	HSBH: hex socket button head	SFH: slotted fillister head
BBC: blade brake control	HSFH: hex socket flat head	SHH: slotted hex head
BHTF: button head thread forming	HSH: hex socket head	SHWH: slotted hex washer head
CARR: carriage	HWH: hex washer head	SPH: slotted pan head
CCW: counter clockwise	HWTF: hex washer head thread forming	SQH: square head
CW: clockwise	HYD: hydraulic	SRH: slotted round head
DEG: degrees	LH: left hand	STD: standard
DPA: Dual Point Adjustment	LP: Liquid Propane	TAP: self tapping
ECM: electronic control module	NI: nylon insert	TTH: torx truss head
EXT: external	NPTF: national pipe thread fine	
FH: flat head	PFH: phillips flat head	
GA: gauge	PPH: phillips pan head	
HD: heavy-duty	PPHTF: phillips pan head thread forming	
HF: hex flange	PRH: phillips round head	
HH: hex head	PTH: phillips truss head	
HHF: hex head flange	PTO: power-take-off	
HHFTF: hex head flange thread forming	RH: right hand	
HJ: hex jam	ROPS: roll-over protection system	
HLH: hex lag head		

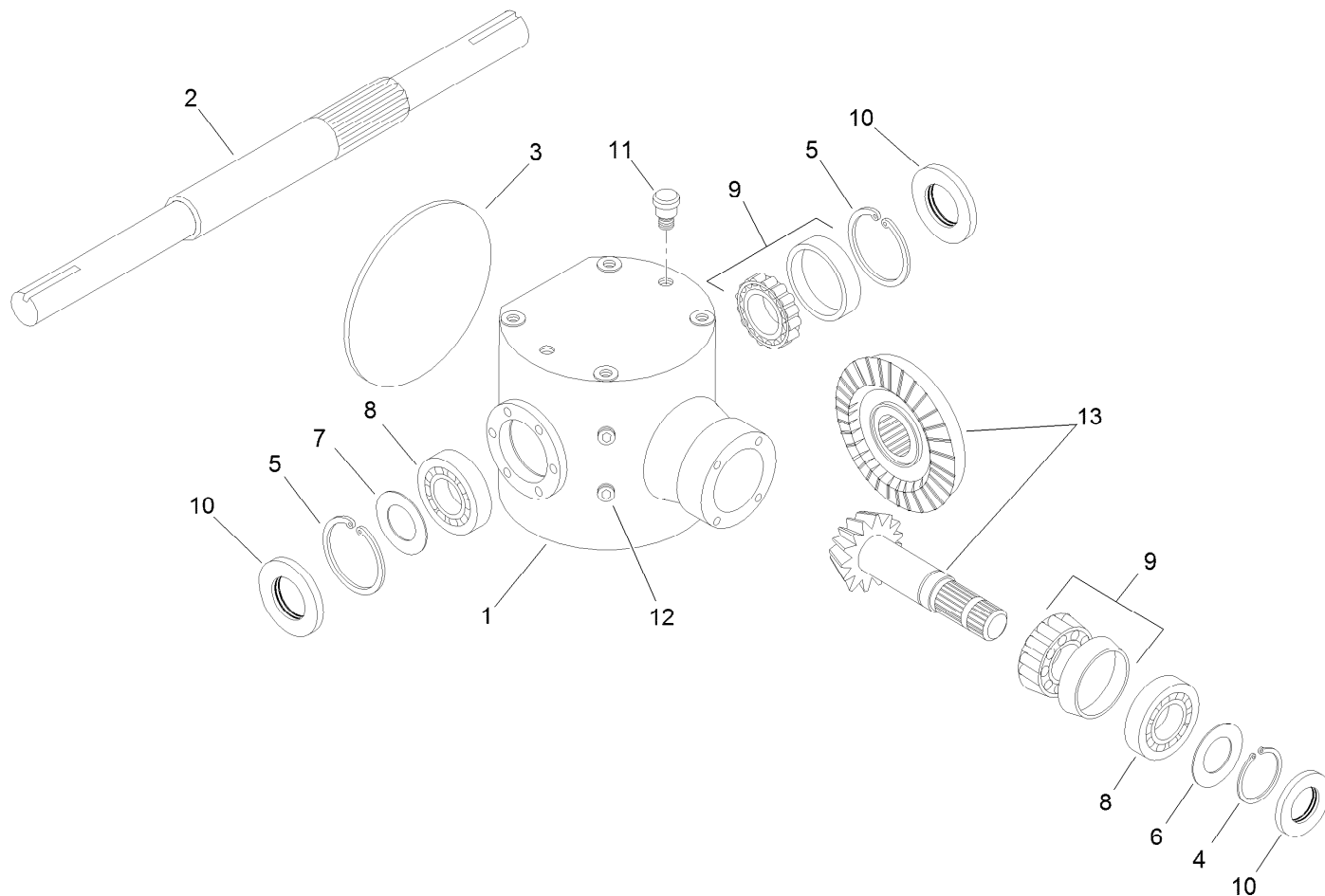
Contents

Drive Assembly	4
Gearbox Assembly No. SG507000-03	5
PTO Shaft Assembly No. SG528004	6
Frame and Roller Assembly	7
LH Crankshaft Assembly	8
Center Crankshaft Assembly	9
RH Crankshaft Assembly	10
Idler Assembly	11
Connecting Rod Assembly	12
Hinge Assembly	13
Linkage Arm Assembly	14
Head and Spring Assembly	15
Screen and Hood Assembly	16
Rear Guard Assembly	17
Attachments and Accessories	18



Drive Assembly

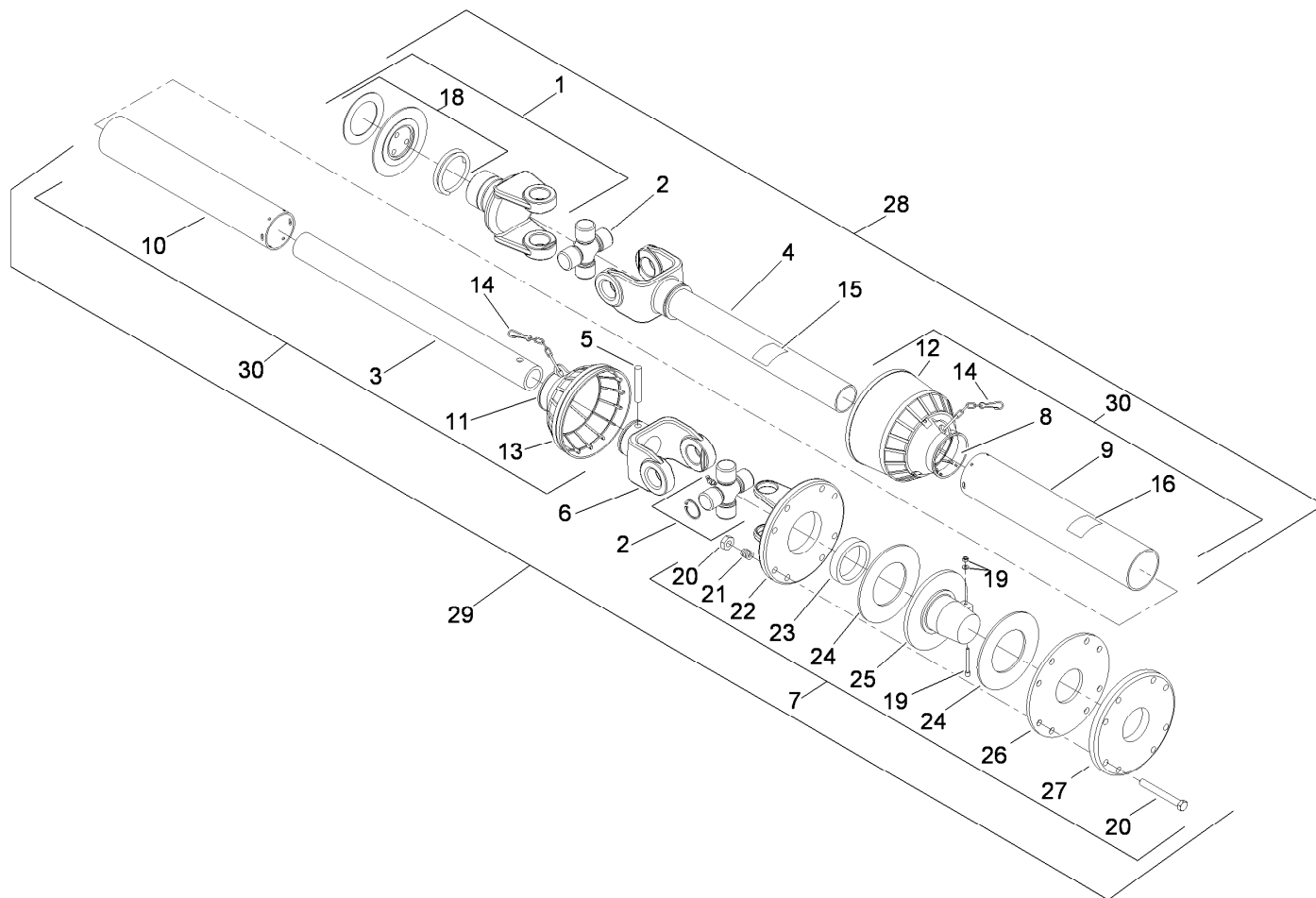
<i>Ref.</i>	<i>Part Number</i>	<i>Qty.</i>	<i>Description</i>	<i>Ref.</i>	<i>Part Number</i>	<i>Qty.</i>	<i>Description</i>
1	SG507000-03	1	Gearbox	8	323-4	4	Screw-HH
2	80-6140	2	Key-Square	9	3253-8	4	Washer-Lock
3	SG517026	2	Gearbox-Sprocket	10	327-2	4	Screw-HH
4	SG527054	2	Sprocket-Hub	11	SG580154	2	Chain-O-Ring
4:1	3246-4	1	Screw-Set	11:1	SG581083	1	Link-Master
5	5-1470	6	Screw-HH	12	SG528004	1	Shaft-PTO
6	3253-4	6	Washer-Lock	13	SG4170401	1	Cone-Shaft
7	3253-21	4	Washer-Lock	14	3256-24	4	Washer-Flat



Gearbox Assembly No. SG507000-03

Ref.	Part Number	Qty.	Description
1		1	Housing-Gearbox ●
2	119-3236	1	Shaft-Output
3	119-3222	1	Cover-Housing, Gearbox
4	119-3224	1	Circlip-External
5	119-3225	2	Circlip-External
6	119-3226	1	Shim Kit
7	119-3227	1	Shim Kit
8	119-3228	2	Bearing-Ball
9	119-3230	2	Bearing-Roller
10	119-3231	3	Seal-Oil
11	119-3218	1	Plug-Breather
12	119-3219	3	Plug-HSH
13	119-3232	1	Gear-Bevel, Gearbox

● Not serviced separately

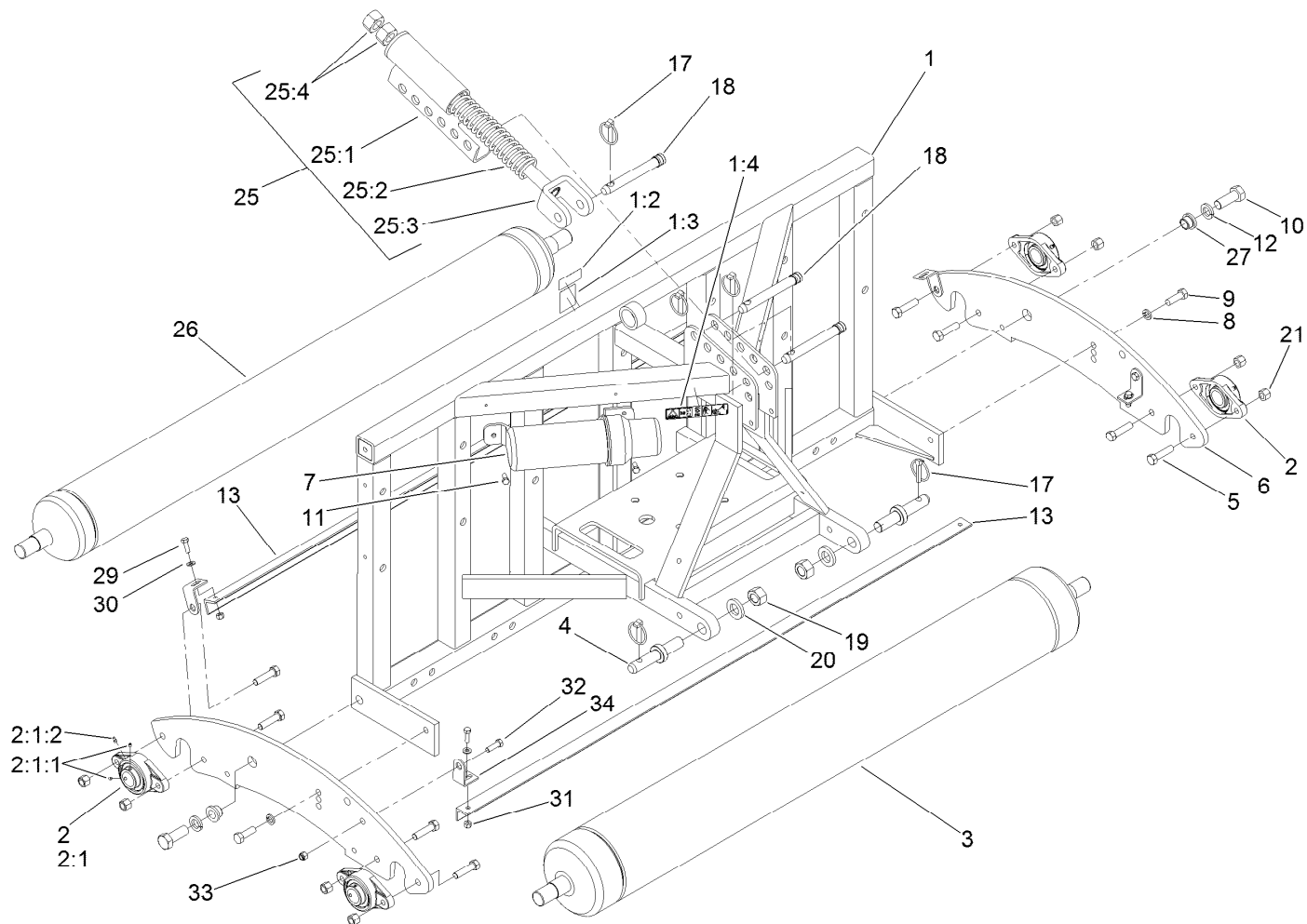


PTO Shaft Assembly No. SG528004

<i>Ref.</i>	<i>Part Number</i>	<i>Qty.</i>	<i>Description</i>	<i>Ref.</i>	<i>Part Number</i>	<i>Qty.</i>	<i>Description</i>
1	119-3100	1	Yoke-Tractor Side	16	119-3115	1	Decal-Danger
2	119-3101	2	Cross And Bearing Kit	17	119-3116	1	Booklet-Instruction, Usa ●
3		1	Tube-Inner (Male PTO #4) ■	18	119-3117	1	Ball And Collar Kit
4		1	Yoke W/ Tube #4 ■	19	119-3118	1	Screw And Nut ASM
5	119-3104	1	Pin-Roll	20	119-3119	8	Bolt And Nut ASM
6		1	Tube-Inner, Yoke #4 ■	21	119-3120	8	Spring
7	119-3106	1	Clutch ASM	22		1	Yoke-Flange ■
8		1	Support-Shield ■	23		1	Bushing ■
9		1	Tube-Safety ■	24	119-3123	2	Plate-Clutch
10		1	Tube-Safety ■	25		1	Hub ■
11		1	Connector ■	26	119-3125	1	Plate-Pressure
12		1	Cone Sets ■	27	119-3126	1	Plate-Pressure, PTO
13		1	Shield-Clutch ■	28	119-3127	1	Half Shaft ASM
14	119-3113	2	Chain-Safety	29	119-3128	1	Half Shaft ASM
15	119-3114	1	Decal-Danger	30	119-3129	1	Complete Shield ASM

● Not illustrated

■ Not serviced separately

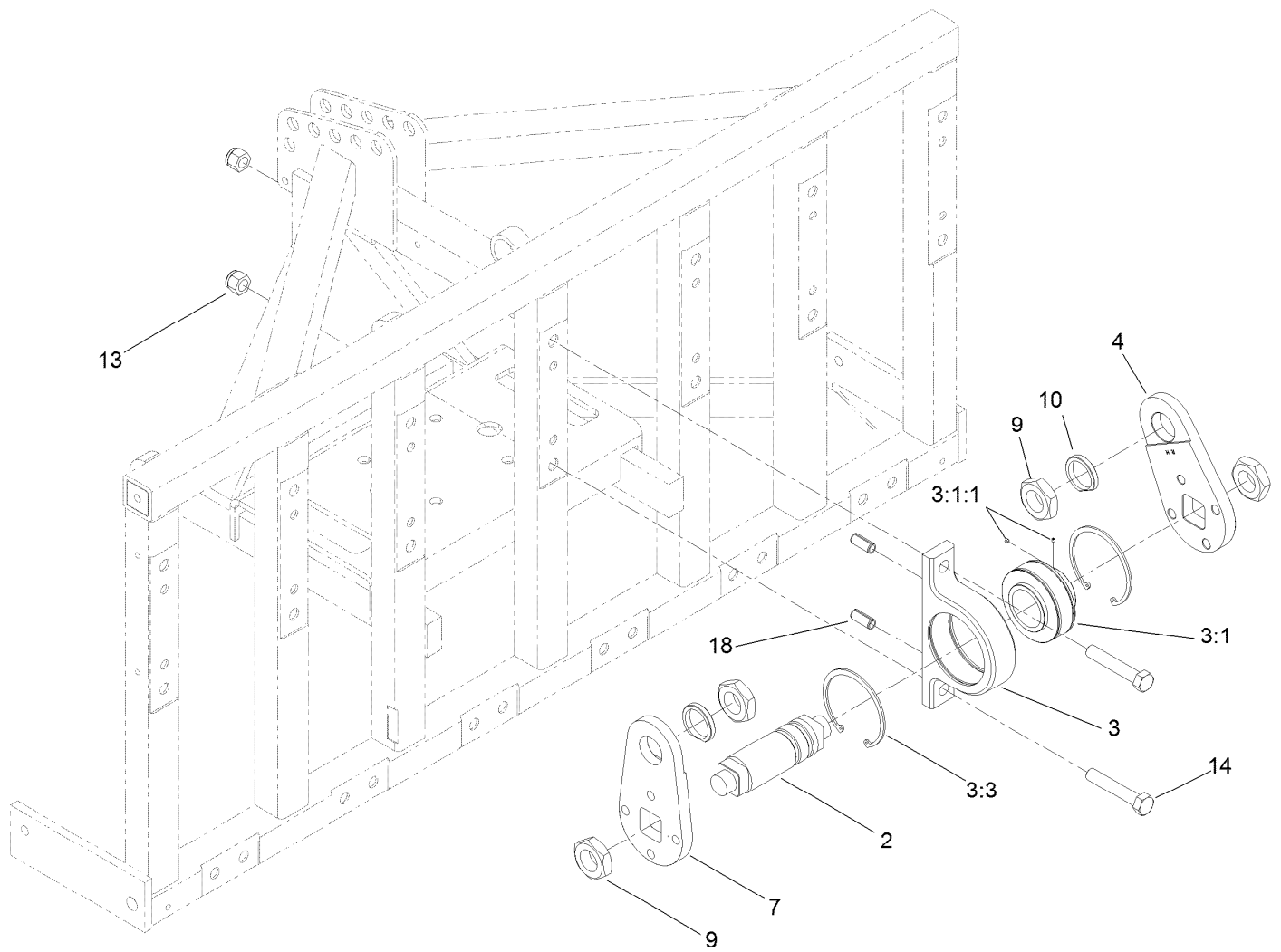


Frame and Roller Assembly

Ref.	Part Number	Qty.	Description
1	120-1055	1	Frame ASM
1:2	117-7052	1	Decal-No Oil
1:3	100-3612	1	Decal-Warning
1:4	110-4668	1	Decal-Warning, PTO
2	SG637070-03	4	Bearing-Roller
2:1		1	Bearing-Flange ●
2:1:1	3245-35	2	Screw-Set, HSH
2:1:2	302-19	1	Fitting-Grease
3	SG627054-03	1	Roller-Main
4	110-4314	2	Pin-Link, Cat 2
4	110-4315	2	Pin-Link, Cat 1
5	SG271517	8	Screw-HH
6	SG639070-01	2	Boot-Roller, Double
7	SG999018	1	Canister-Manual, Operators
8	3253-7	2	Washer-Lock
9	325-6	2	Screw-HH
10	328-24	2	Screw-HH
11	322-3	2	Screw-HH
12	3253-9	2	Washer-Lock

Ref.	Part Number	Qty.	Description
13	SG678917-03	2	Angle-Scraper
17	100-5389	5	Pin-Lynch
18	SG715450	3	Pin-Link, Top
19	3219-18	2	Nut-Hex
20	104-8322	2	Washer-Hardened
21	3296-23	8	Nut-Lock, NI
25	SG115070	1	Top Link Spring ASM
25:1	117-7137-03	1	Link-Adapter, Top
25:2	SG330080-03	1	Spring-Top Link
25:3	117-7136-03	1	Bracket-Spring Rod
25:4	SG330081	2	Nut-Hex
26	SG627050-03	1	Roller-Back, 5 Inch
27	SG639073	2	Bushing-Flange
29	322-5	4	Screw-HH
30	3256-23	4	Washer-Flat
31	3296-29	4	Nut-Lock, NI
32	323-7	2	Screw-HH
33	3296-39	2	Nut-Lock, NI
34	119-0955-03	4	Clip-Scraper

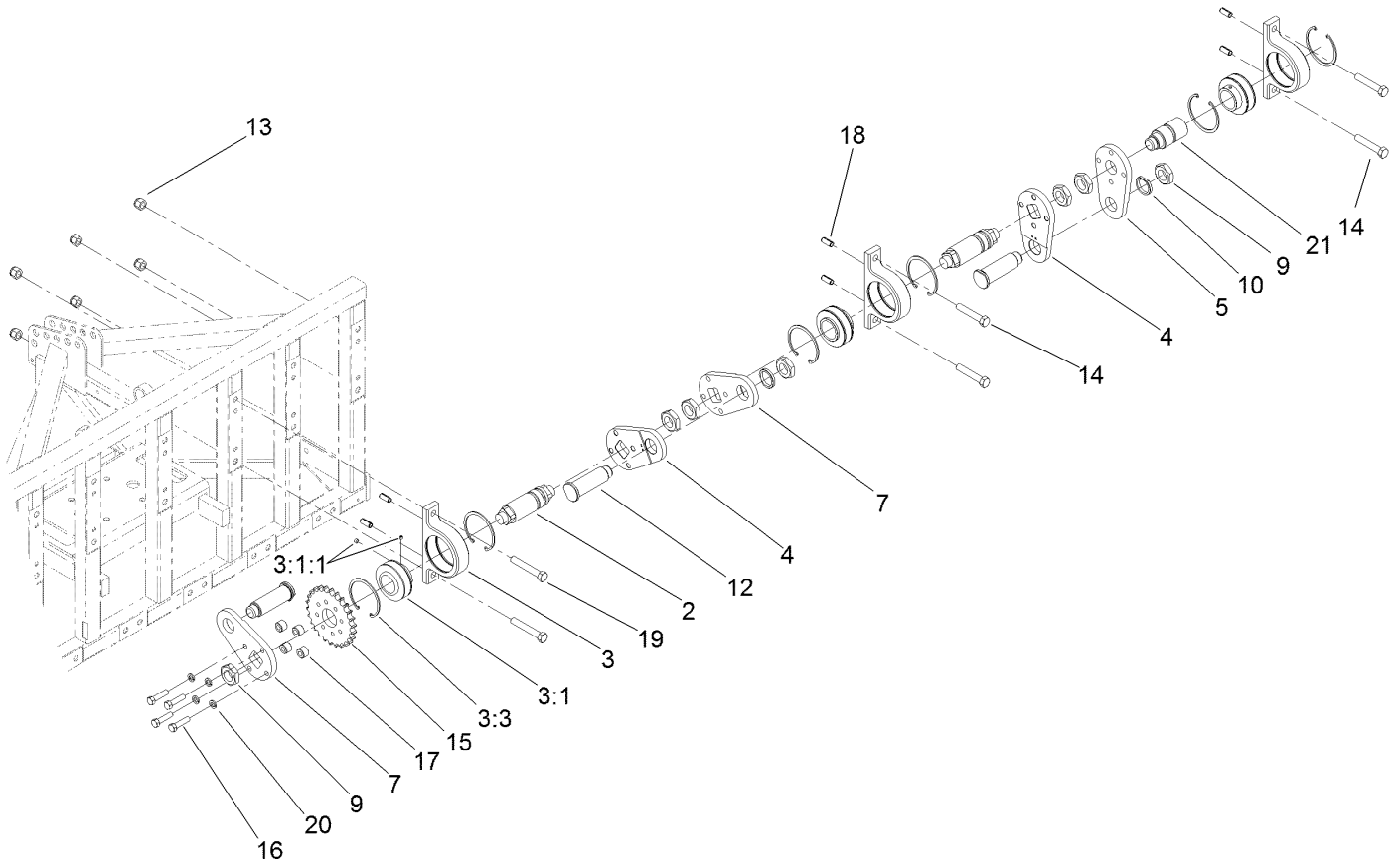
● Not serviced separately



Center Crankshaft Assembly

Ref.	Part Number	Qty.	Description
2	SG217354	1	Crankshaft
3	SG204577	1	Bearing ASM
3:1		1	Bearing-Ball ●
3:1:1	99-0195	2	Screw-Set, HSH
3:3	SG427540	2	Ring-Retaining
4	SG217154	1	Arm-Crank, Right
7	SG217054	1	Arm-Crank
9	SG267200	4	Nut-Hex
10	SG247540	2	Washer-Clipped
13	3296-53	2	Nut-Lock, NI
14	327-14	2	Screw-HH
18	105-1041	2	Pin-Spring

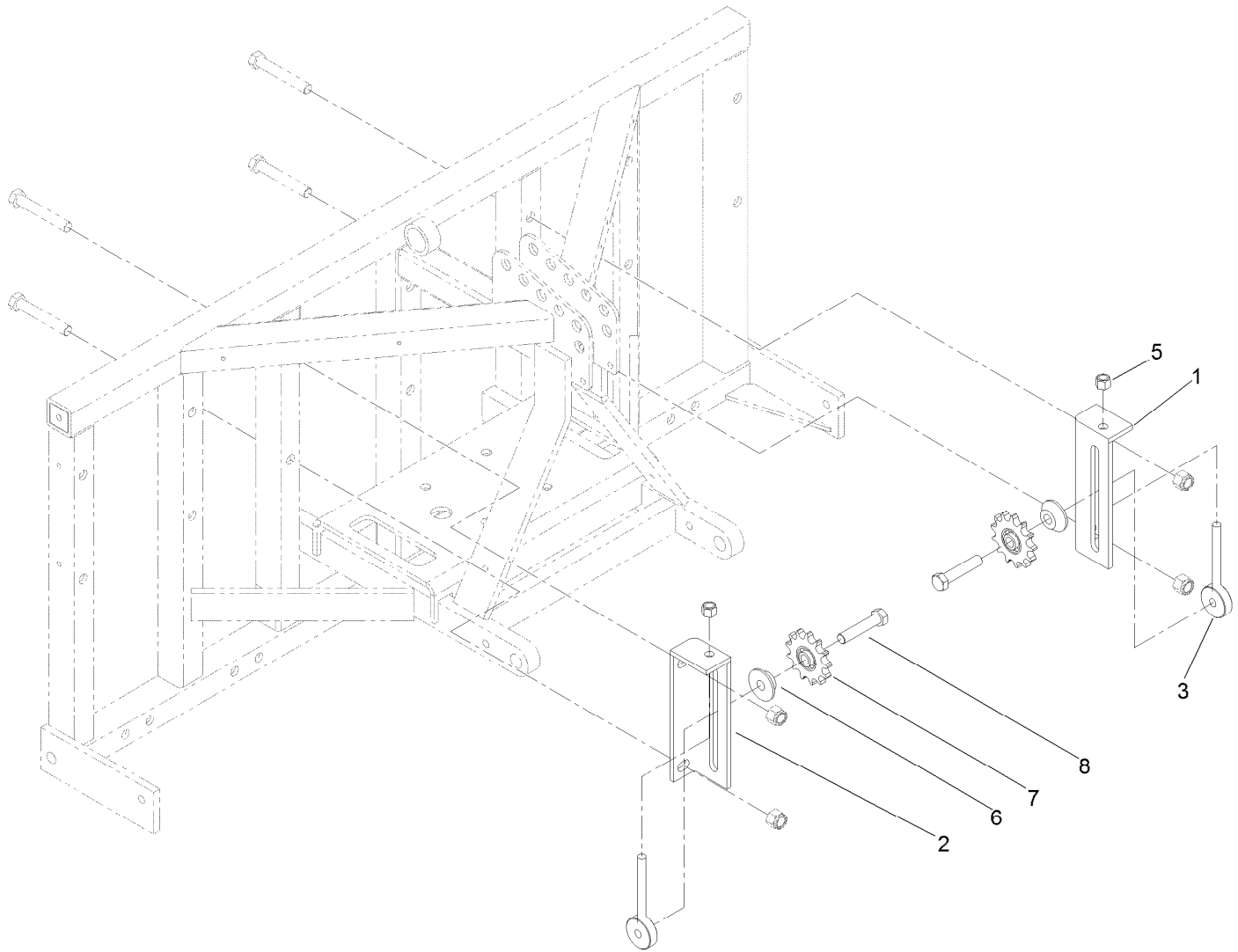
● Not serviced separately



RH Crankshaft Assembly

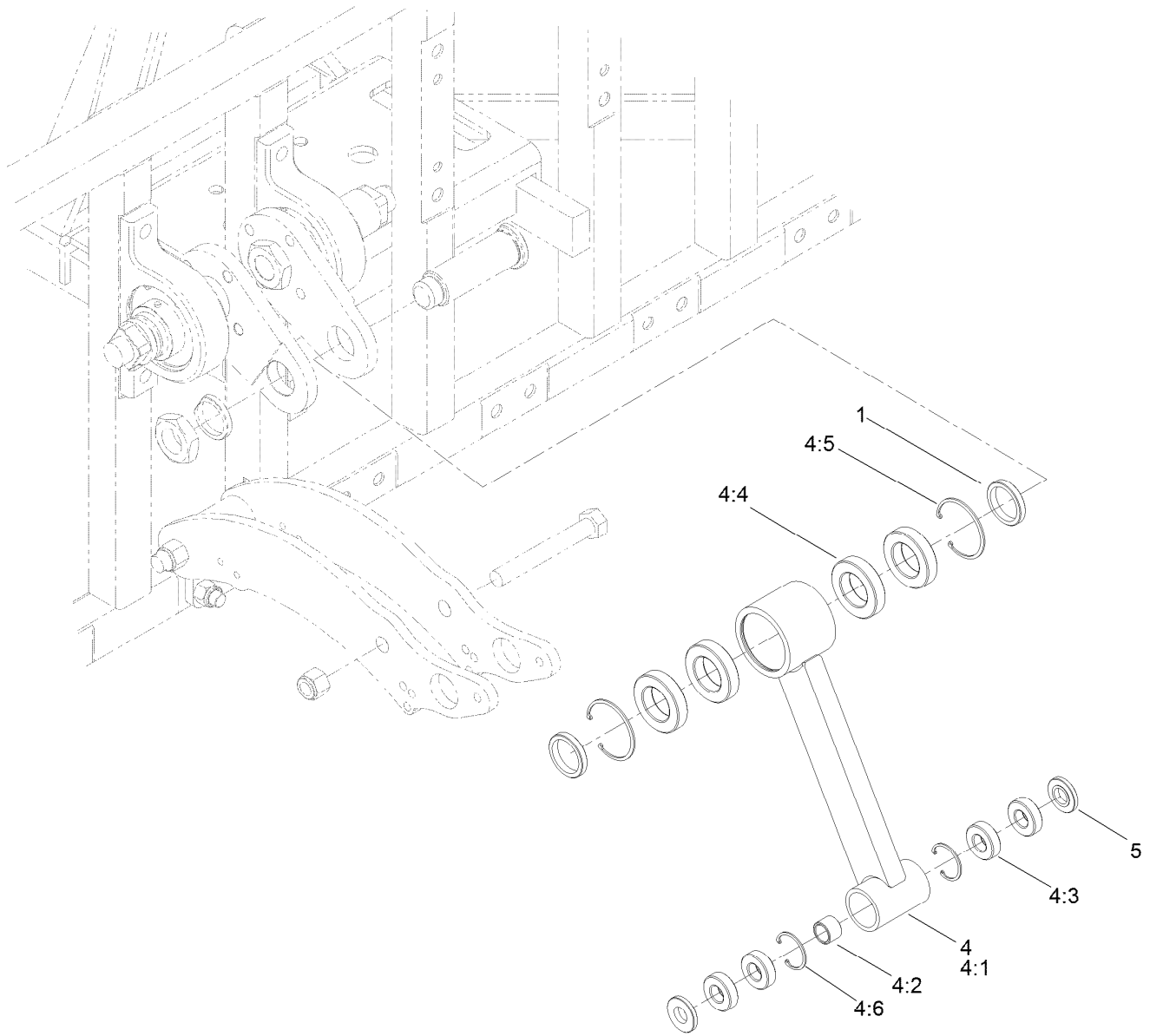
<i>Ref.</i>	<i>Part Number</i>	<i>Qty.</i>	<i>Description</i>	<i>Ref.</i>	<i>Part Number</i>	<i>Qty.</i>	<i>Description</i>
2	SG217354	2	Crankshaft	12	SG257054	3	Pin-Crank
3	SG204577	3	Bearing ASM	13	3296-53	6	Nut-Lock, NI
3:1		1	Bearing-Ball ●	14	327-14	4	Screw-HH
3:1:1	99-0195	2	Screw-Set, HSH	15	SG217026	1	Sprocket-Crank
3:3	SG427540	2	Ring-Retaining	16	SG271517	4	Screw-HH
4	SG217154	2	Arm-Crank, Right	17	SG267500	4	Spacer
5	SG207054	1	Arm-Crank	18	105-1041	6	Pin-Spring
7	SG217054	2	Arm-Crank	19	327-16	2	Screw-HH
9	SG267200	7	Nut-Hex	20	3253-7	4	Washer-Lock
10	SG247540	2	Washer-Clipped	21	SG217557	1	Shaft-Stub, Outside

● Not serviced separately



Idler Assembly

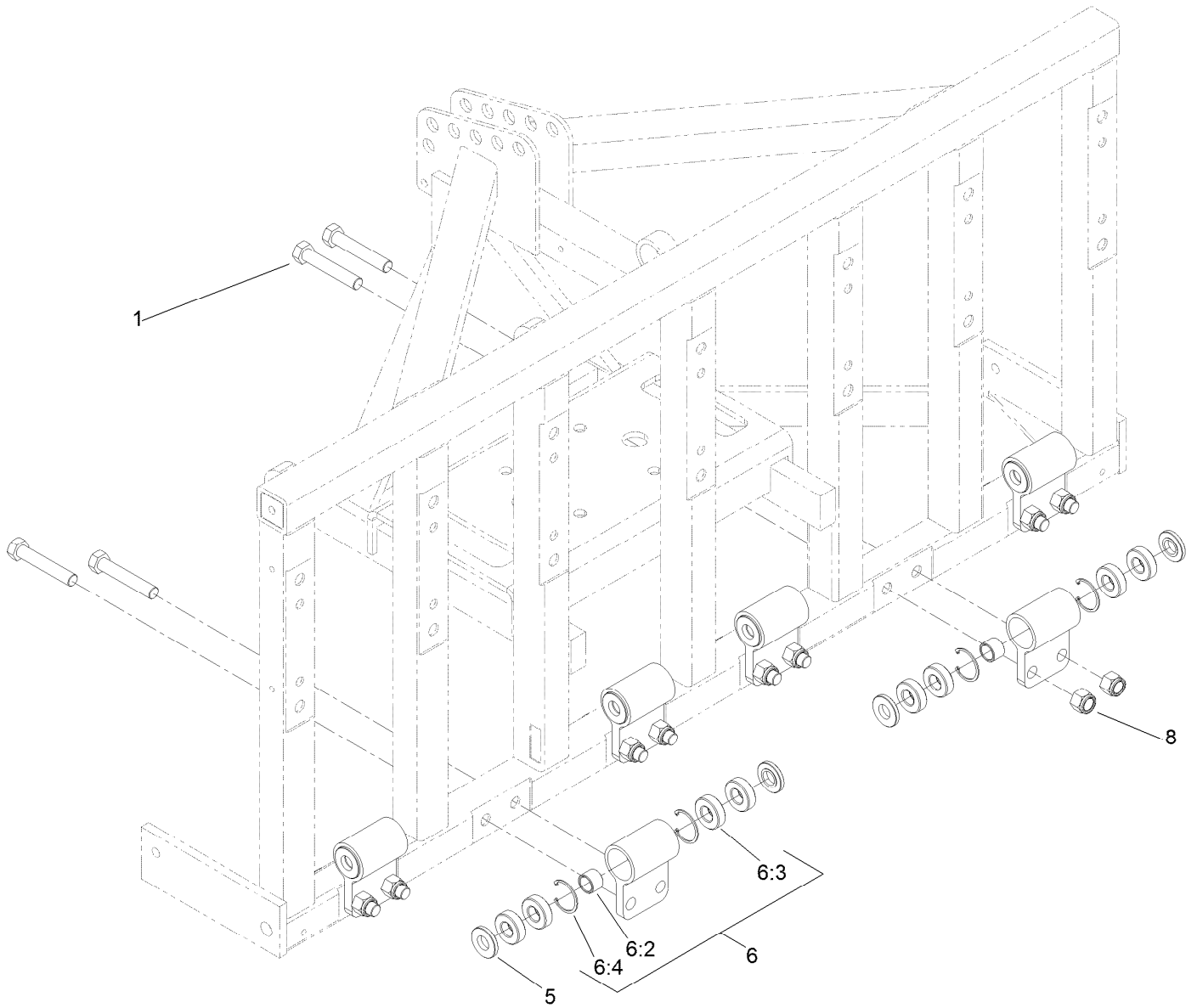
<i>Ref.</i>	<i>Part Number</i>	<i>Qty.</i>	<i>Description</i>
1	SG587054-03	1	Bracket-Idler
2	SG597054-03	1	Bracket-Idler
3	SG587202	2	Rod-Idler
5	3296-23	2	Nut-Lock, NI
6	SG537500	2	Spacer-Offset
7	SG517054	2	Sprocket-Idler
8	327-9	2	Screw-HH



Connecting Rod Assembly

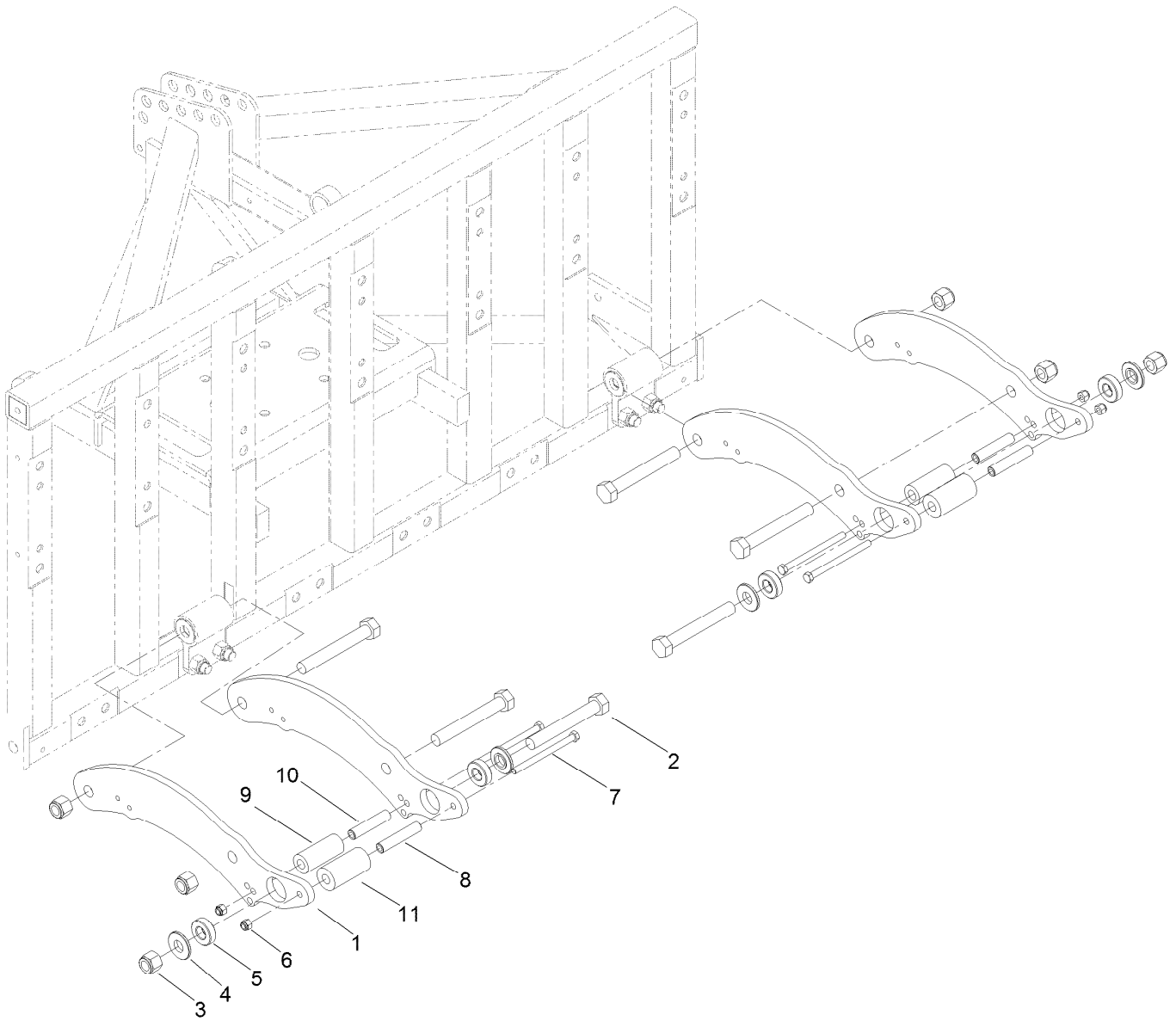
Ref.	Part Number	Qty.	Description
1	SG337100	12	Bushing-Outer
4	SG135154	6	Connecting Rod ASM
4:1		1	Rod-Connecting ●
4:2	SG337010	1	Bushing-Inner
4:3	SG337075	4	Bearing-Ball
4:4	SG337590	4	Bearing-Ball
4:5	SG427541	2	Ring-Retaining, Internal
4:6	SG427625	2	Ring-Retaining, Internal
5	SG337050	12	Bushing-Outer

● Not serviced separately



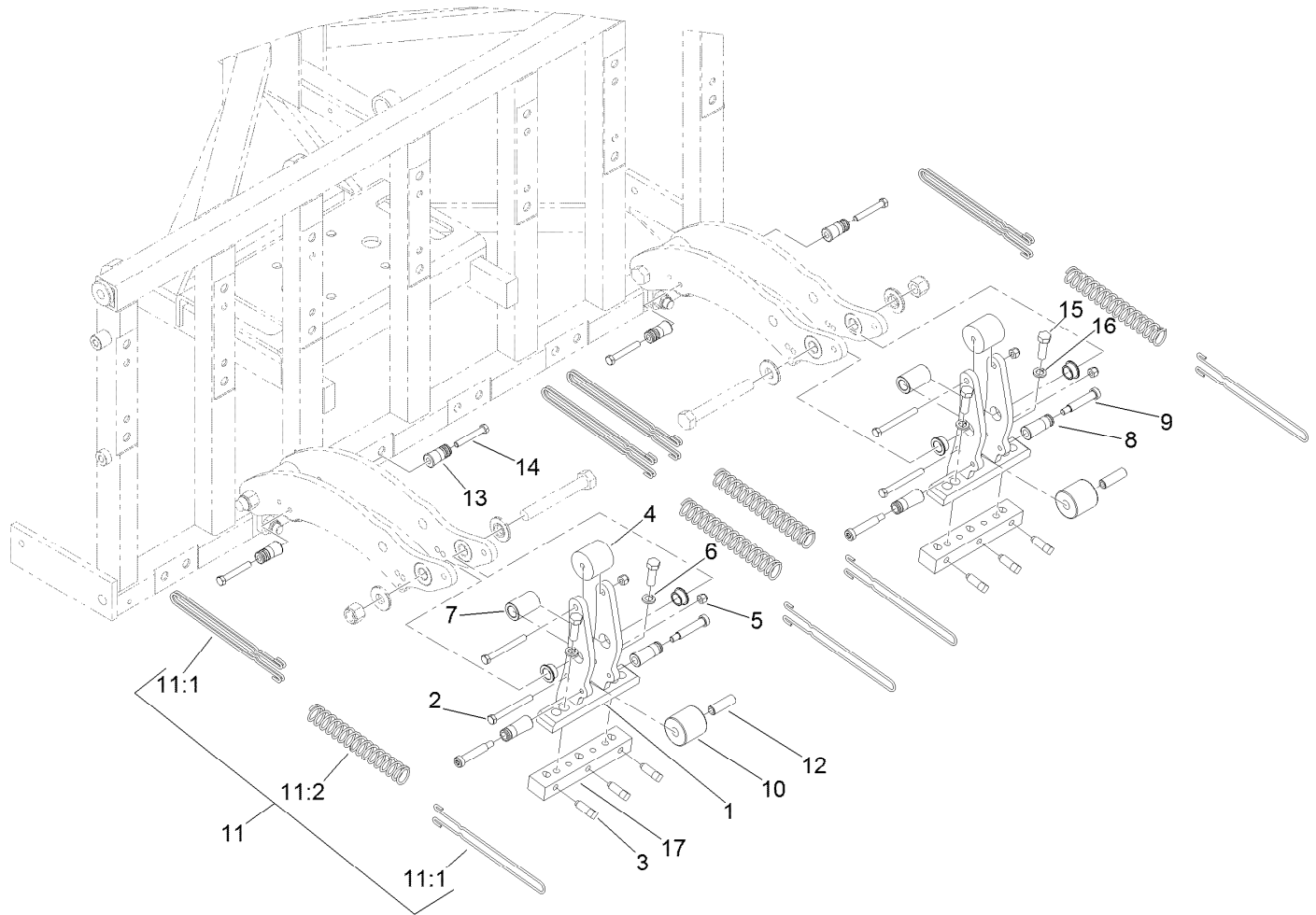
Hinge Assembly

Ref.	Part Number	Qty.	Description
1	327-14	12	Screw-HH
5	SG337050	12	Bushing-Outer
6	SG136354	6	Rear Spool ASM
6:2	SG337010	1	Bushing-Inner
6:3	SG337075	4	Bearing-Ball
6:4	SG427625	2	Ring-Retaining, Internal
8	3296-53	12	Nut-Lock, NI



Linkage Arm Assembly

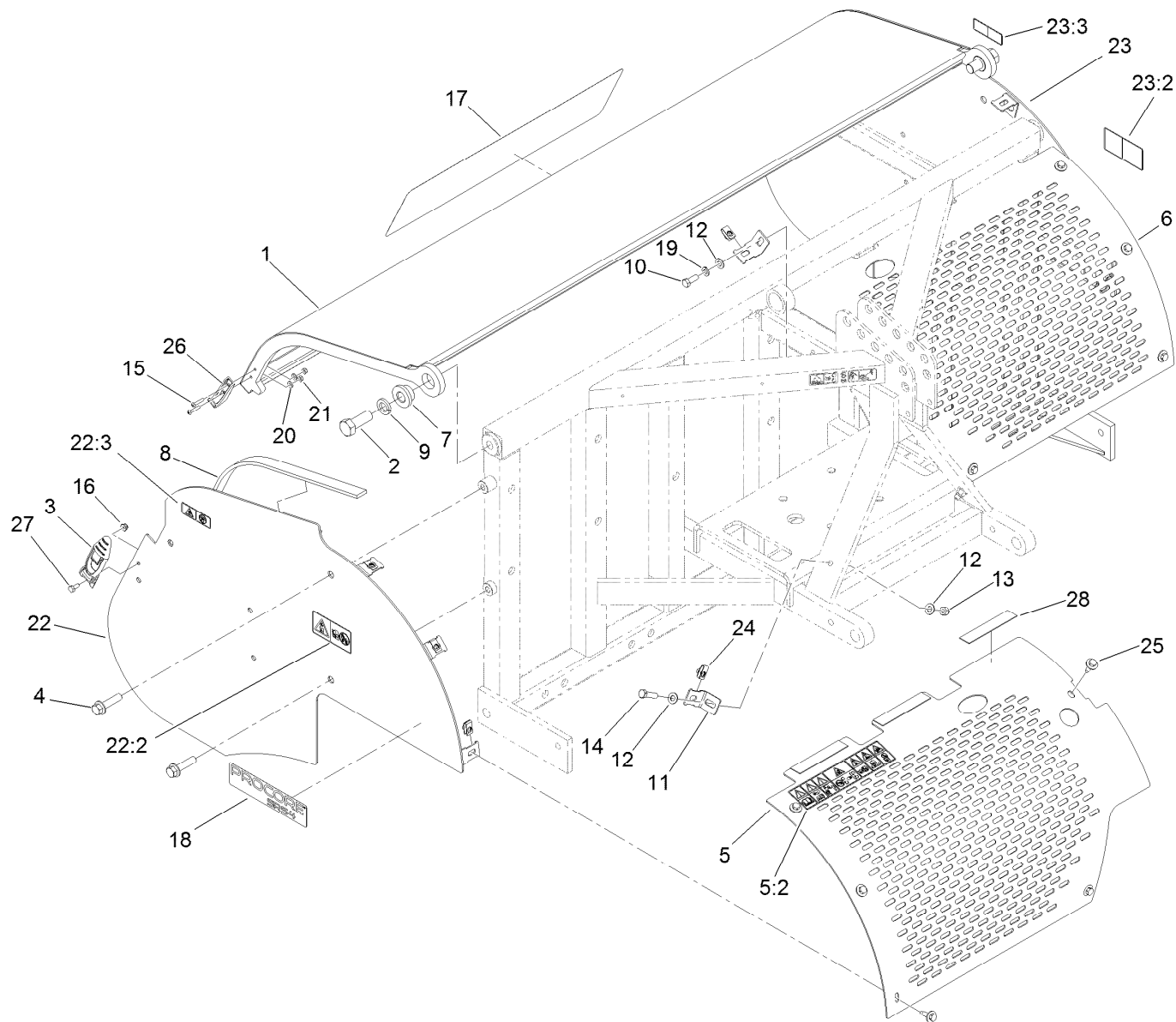
<i>Ref.</i>	<i>Part Number</i>	<i>Qty.</i>	<i>Description</i>
1	SG387055-03	12	Arm-Linkage, Arched
2	328-12	18	Screw-HH
3	3296-51	18	Nut-Lock, NI
4	SG437125	12	Bushing-Outer
5	SG337075	12	Bearing-Ball
6	3296-39	12	Nut-Lock, NI
7	323-21	12	Screw-HH
8	SG337300	6	Spacer-Linkage
9	SG487125	6	Bumper-Rubber
10	SG486312	6	Spacer-Arm, Linkage
11	SG487126	6	Bumper-Rubber



Head and Spring Assembly

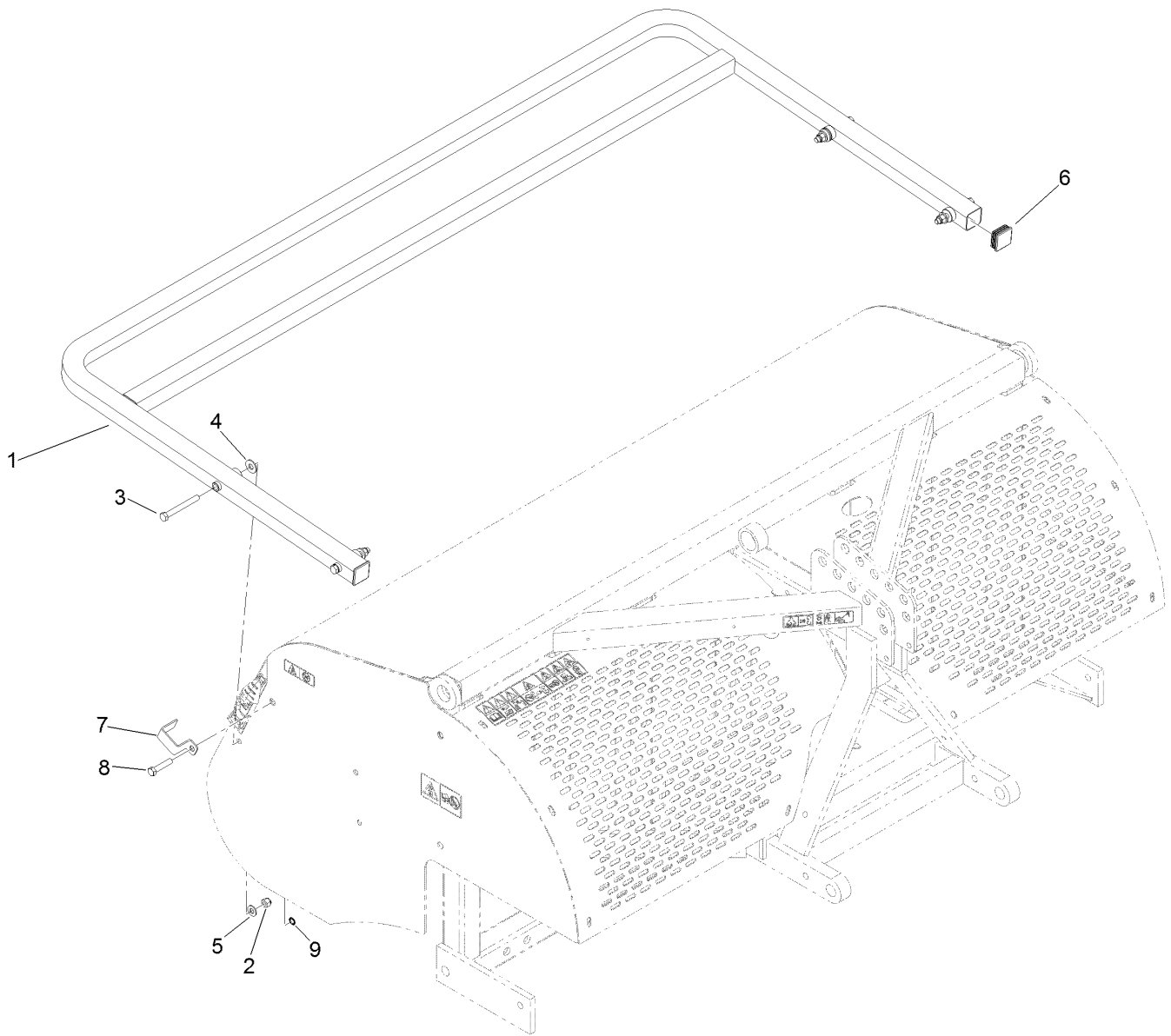
Ref.	Part Number	Qty.	Description	Ref.	Part Number	Qty.	Description
1	SG404070-03	6	Head-Tine	11		6	Spring ASM ●
2	323-15	12	Screw-HH	11:1	SG487256	3	Wire-Draw, Spring
3	SG477125	18	Screw-Set, SQH	11:2	SG487257	1	Spring-Compression
4	SG487200	6	Bumper-Head	12	SG486311	6	Tube-Metal, Head Bumper
5	3296-39	12	Nut-Lock, NI	13	SG449126-03	12	Post-Spring
6	SG447080	12	Bushing-Flanged	14	323-12	12	Screw-HH
7	SG437100-03	6	Spacer-Head	15	325-6	12	Screw-HH
8	SG449127-03	12	Post-Spring	16	3253-7	12	Washer-Lock
9	SG449129	12	Bolt-Shoulder	17	SGH08704-03	6	Head-Tine, Adapter
10	SG487201	6	Spacer-Plastic				

● Not serviced separately



Screen and Hood Assembly

Ref.	Part Number	Qty.	Description	Ref.	Part Number	Qty.	Description
1	119-3293-03	1	Hood ASM	18	117-7084	2	Decal
2	328-24	2	Screw-HH	19	3253-21	2	Washer-Lock
3	103-2898	2	Latch-Rubber	20	3256-14	4	Washer-Flat
4	3234-27	4	Screw-HHF	21	3296-2	4	Nut-Lock, NI
5	120-7255	1	Front Right Guard ASM	22	120-7256	1	RH Shield ASM
5:2	117-7050	1	Decal-Warning, Ce	22:2	117-7051	1	Decal-Danger, Keep Away Ce
6	117-7034-03	1	Guard-Front. LH	22:3	120-0625	1	Decal-Warning, Pinch Point
7	120-1021	2	Bushing-Hood	23	120-7257	1	LH Shield ASM
8	120-7273	2	Strip-Rubber	23:2	117-7051	1	Decal-Danger, Keep Away Ce
9	3253-9	2	Washer-Lock	23:3	120-0625	1	Decal-Warning, Pinch Point
10	323-6	2	Screw-HH	24	94-2413	10	U-Nut
11	120-1011-03	4	Bracket-Shield	25	114-8418	10	Screw-HWH, Sems
12	3256-24	6	Washer-Flat	26	103-2897	2	Latch-Catch
13	3296-39	2	Nut-Lock, NI	27	321-3	2	Screw-HH
14	323-8	2	Screw-HH	28	120-1087	6	Strip-Rubber
15	108-3153	4	Screw-HSBH				
16	104-7201	2	Nut-HF				
17	117-7055	1	Decal				



Rear Guard Assembly

<i>Ref.</i>	<i>Part Number</i>	<i>Qty.</i>	<i>Description</i>
1	120-7266-03	1	Rear Guard ASM
2	3296-39	4	Nut-Lock, NI
3	323-20	4	Screw-HH
4	3256-4	8	Washer-Flat
5	3256-24	4	Washer-Flat
6	120-7261	2	Cap-End, Square
7	110-4673	2	Lock-Latch, Ce
8	323-53	2	Screw-HH
9	32151-72	2	Ring-Retaining

Attachments and Accessories

For 09932 ProCore SR54-S Aerator

Product Name	Model/Part
Rear Roller Kit	09952
2x18mm Tine Head Adapter Kit	117-7194
2x12mm or 2x5/16-inch Tine Head Adapter Kit	117-7195
4x3/8-inch or 4x5/16-inch Tine Head Adapter Kit	117-7196
8x3/8-inch Tine Head Adapter Kit	117-7199

Notes:



Count on it.