



Count on it.

Parts Catalog

Workman® MD Utility Vehicle

Model No. 07266TC—Serial No. 311000501 and Up

Ordering Replacement Parts

To order replacement parts, please supply the part number, the quantity, and the description of each part desired.

Understanding Reference Numbers

Each identified part in an illustration has a reference number. The reference number for a part also appears in the parts list, along with other information about the part.

This catalog uses two special reference number formats, one to indicate parts in a service assembly and another to indicate the quantity of a given part in an illustration.

Service Assembly Reference Numbers

Parts in service assemblies have reference numbers in the form a:b. The a represents the reference number of the entire service assembly and the b represents a sequential number unique to each part within the service assembly.

For example, a wheel assembly might be identified by reference number 6, the tire by 6:1, the valve by 6:2, and the wheel by 6:3. When you order the assembly identified by reference number 6, you receive all parts identified by reference numbers 6:1, 6:2, and 6:3. However, you may also order any part individually. Reference numbers of this type appear in illustration and in parts lists.

Reference Numbers Indicating Quantity

In an illustration, if a reference number indicates more than one part, the reference number has the form nX y. The n represents the quantity of the part, the X is the multiplication symbol, and the y represents the reference number.

For example, in an illustration, the reference number 2X 37 means that two of the parts identified by reference number 37 are indicated.

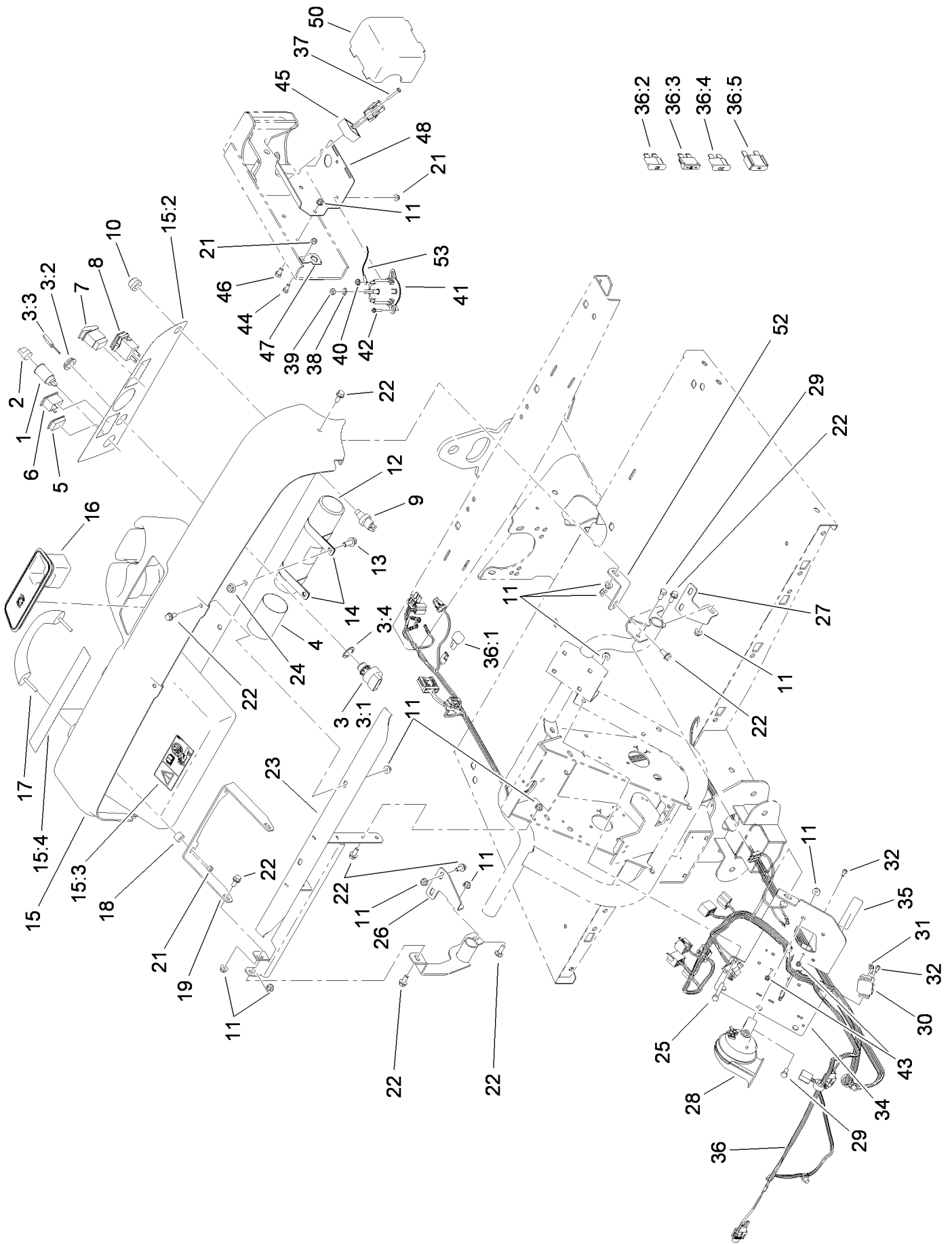
List of Abbreviations

AR: as required	HOC: height-of-cut	RRB: rear roller brush
ASM: assembly	HSBH: hex socket button head	SFH: slotted fillister head
BBC: blade brake control	HSFH: hex socket flat head	SHH: slotted hex head
BHTF: button head thread forming	HSH: hex socket head	SHWH: slotted hex washer head
CARR: carriage	HWH: hex washer head	SPH: slotted pan head
CCW: counter clockwise	HWTF: hex washer head thread forming	SQH: square head
CW: clockwise	HYD: hydraulic	SRH: slotted round head
DEG: degrees	LH: left hand	STD: standard
DPA: Dual Point Adjustment	LP: Liquid Propane	TAP: self tapping
ECM: electronic control module	NI: nylon insert	TTH: torx truss head
EXT: external	NPTF: national pipe thread fine	
FH: flat head	PFH: phillips flat head	
GA: gauge	PPH: phillips pan head	
HD: heavy-duty	PPHTF: phillips pan head thread forming	
HF: hex flange	PRH: phillips round head	
HH: hex head	PTH: phillips truss head	
HHF: hex head flange	PTO: power-take-off	
HHFTF: hex head flange thread forming	RH: right hand	
HJ: hex jam	ROPS: roll-over protection system	
HLH: hex lag head		

Contents

Dash Assembly	4
Pedal Box Assembly	6
Shifter Assembly	7
Front Frame Assembly	8
Seat Base Assembly	9
Front Tire, Spindle and Tie Rod Assembly	10
Brake Caliper Assembly No. 119-9535	12
Rear Tire and Transaxle Assembly	13
Transaxle Assembly No. 115-2300	14
LH Rear Brake Assembly No. 114-8332	16
RH Rear Brake Assembly No. 114-8331	17
Secondary Clutch Assembly No. 119-0803	18
Upper Steering Assembly	19
Steering Box Assembly No. 112-3130	20
Box and Tailgate Installation Assembly	21
Cargo Bed Service Assembly No. 119-9710	22
Hood and Fender Assembly	23
Frame Assembly	24
Engine and Clutch Assembly	25
Primary Clutch Assembly No. 119-0802	27
Starter Generator Assembly No. 119-9545	28
Air Cleaner Assembly No. 99-7120	29
Master Cylinder and Brake Line Assembly	30
Master Cylinder Assembly No. 104-6782	31
Cylinder Head Assembly	32
Crankshaft and Piston Assembly	33
Camshaft and Valve Assembly	34
Starter Air Shroud Assembly	35
Intake Assembly	36
Carburetor Assembly	37
Crankcase Assembly	38
Fuel Pump Assembly	39
Magneto Assembly	40
Engine Gaskets and Fittings	41
Attachments and Accessories	42

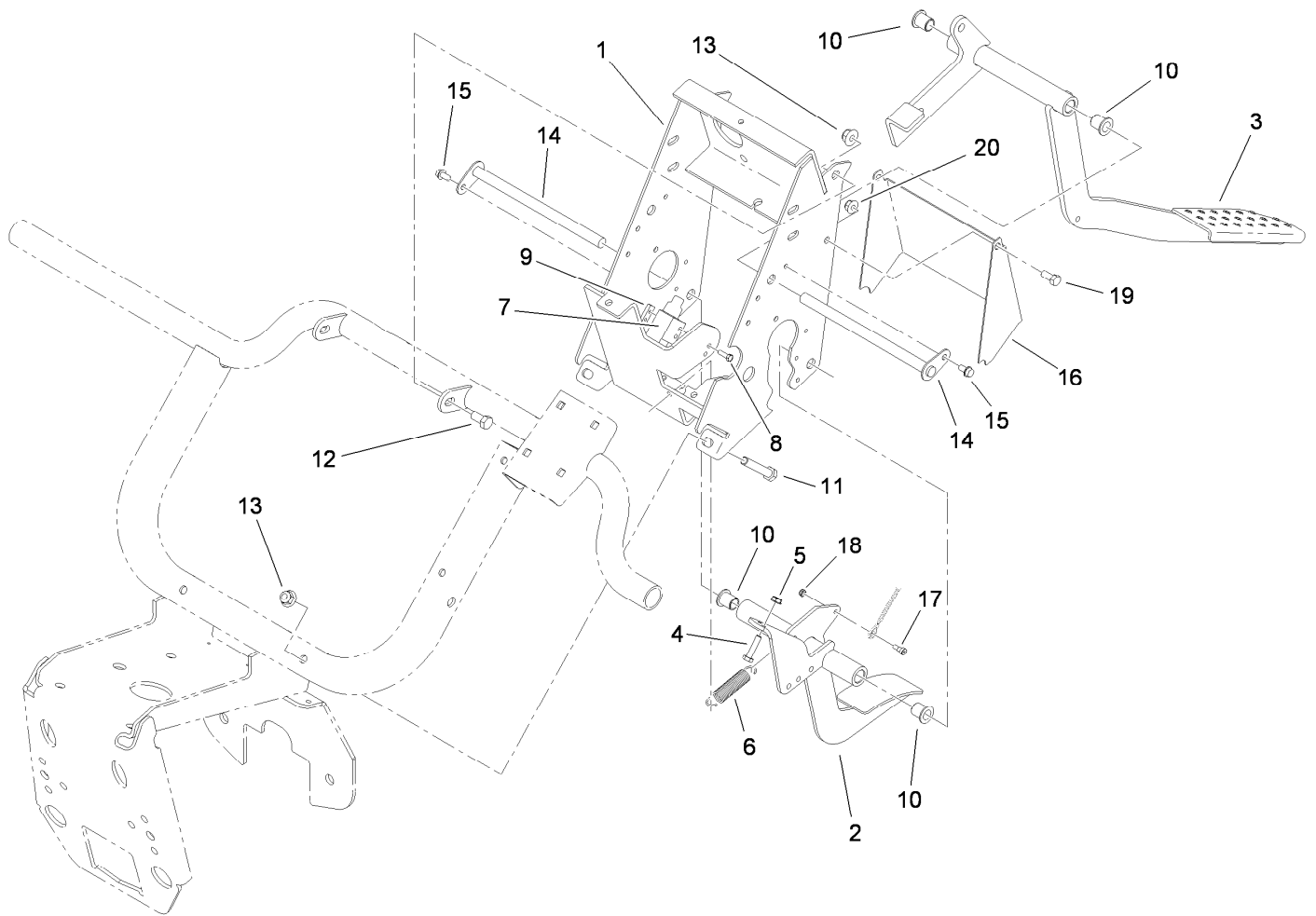
Dash Assembly



Dash Assembly (continued)

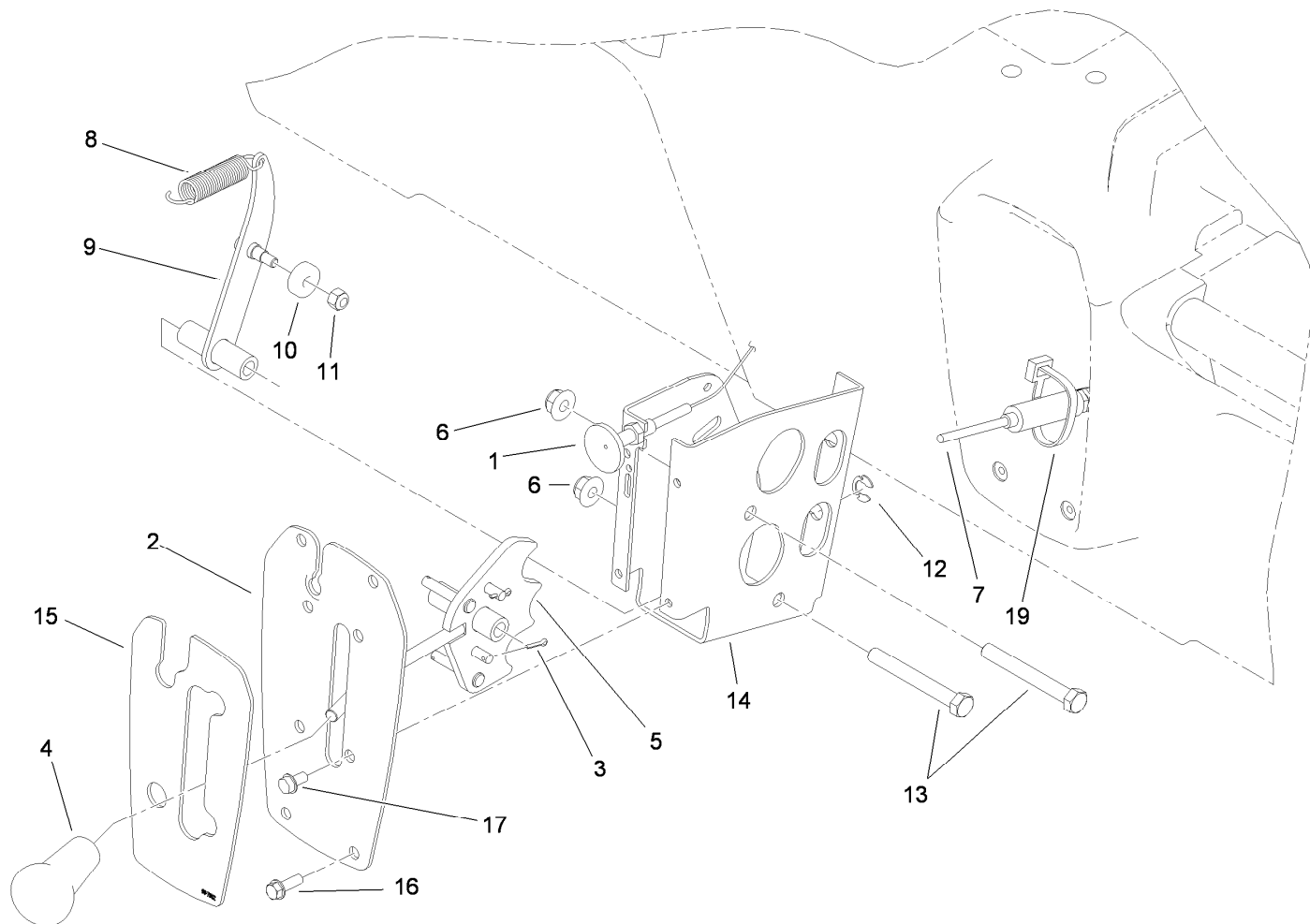
<i>Ref.</i>	<i>Part Number</i>	<i>Qty.</i>	<i>Description</i>	<i>Ref.</i>	<i>Part Number</i>	<i>Qty.</i>	<i>Description</i>
1	99-7411	1	Point-Power	25	322-11	2	Screw-HH
2	99-7416	1	Cap	26	114-8304	1	Bracket-Dash Mount, RH
3	112-3323	1	Ignition Switch ASM	27	114-8312	1	Bracket-Dash Mount, LH
3:1		1	Switch-Ignition ●	28	110-2594	1	Horn ASM
3:2	108-8660	1	Nut-Mounting	29	322-3	2	Screw-HH
3:3	99-7418	1	Key-Ignition	30	42862	1	Block-Terminal, Ground
3:4	108-8659	1	Washer-Backup	31	42863	1	Strip-Jumper
4	104-7048	1	Cap-Housing	32	32105-13	4	Screw-HWH
5	99-7420	1	Plug-Hole	34	112-3376-03	1	Plate-Mount, Electrical
6	99-7410	1	Indicator-Light, Low-Oil Pressure	35	112-3325	1	Decal-Block, Fuse
7	95-8999	1	Switch	36	119-5774	1	Harness-Wire
8	94-4208	1	Hourmeter	36:1	100-4918	1	Diode
9	112-3324	1	Switch-Horn	36:2	218-578	1	Fuse-Blade, 10 Amp
10	112-3313	1	Cap And Nut ASM	36:3	109355	1	Fuse-Blade, 15 Amp
11	104-8300	21	Nut-Flange, NI	36:4	109101	1	Fuse-Blade, 20 Amp
12	104-7050	1	Tube-Manual	36:5	114-3342	1	Fuse-Maxi, 60 Amp
13	3234-11	2	Screw-HHF	37	100-4352	1	Screw-HWH
14	2412-133	2	R-Clamp	38	3255-8	2	Washer-Lock
15	114-8310	1	Dash ASM	39	3220-2	2	Nut-Jam
15:2	117-5001	1	Decal-Panel, Control	40	32149-8	2	Nut-Keps
15:3	104-6581	1	Decal-Danger	41	114-3315	1	Solenoid-12 Vdc
15:4	115-2412	1	Decal-No Storage	42	3234-33	2	Screw-HHF
16	104-6930	1	Plug-Rubber	43	3296-2	4	Nut-Lock, NI
17	112-3320	1	Handle-Grip	44	321-3	1	Screw-HH
18	114-8301	2	Spacer	45	119-9492	1	Regulator-Voltage
19	112-3391-03	1	Bracket-Grip, Handle	46	322-2	2	Screw-HH
21	104-7201	5	Nut-HF	47	114-5502	1	Clip-Fuse
22	110-5053	15	Screw-Flange	48	119-0752-03	1	Mount-Component
23	115-7651-03	1	Dash Support ASM	50	112-3027	1	Cover-Controller
24	104-8301	2	Nut-Flange, NI	52	114-8305	1	Angle-Mount, Dash (LH)
				53	112-3537	1	Cable-Battery, Positive

● Not serviced separately



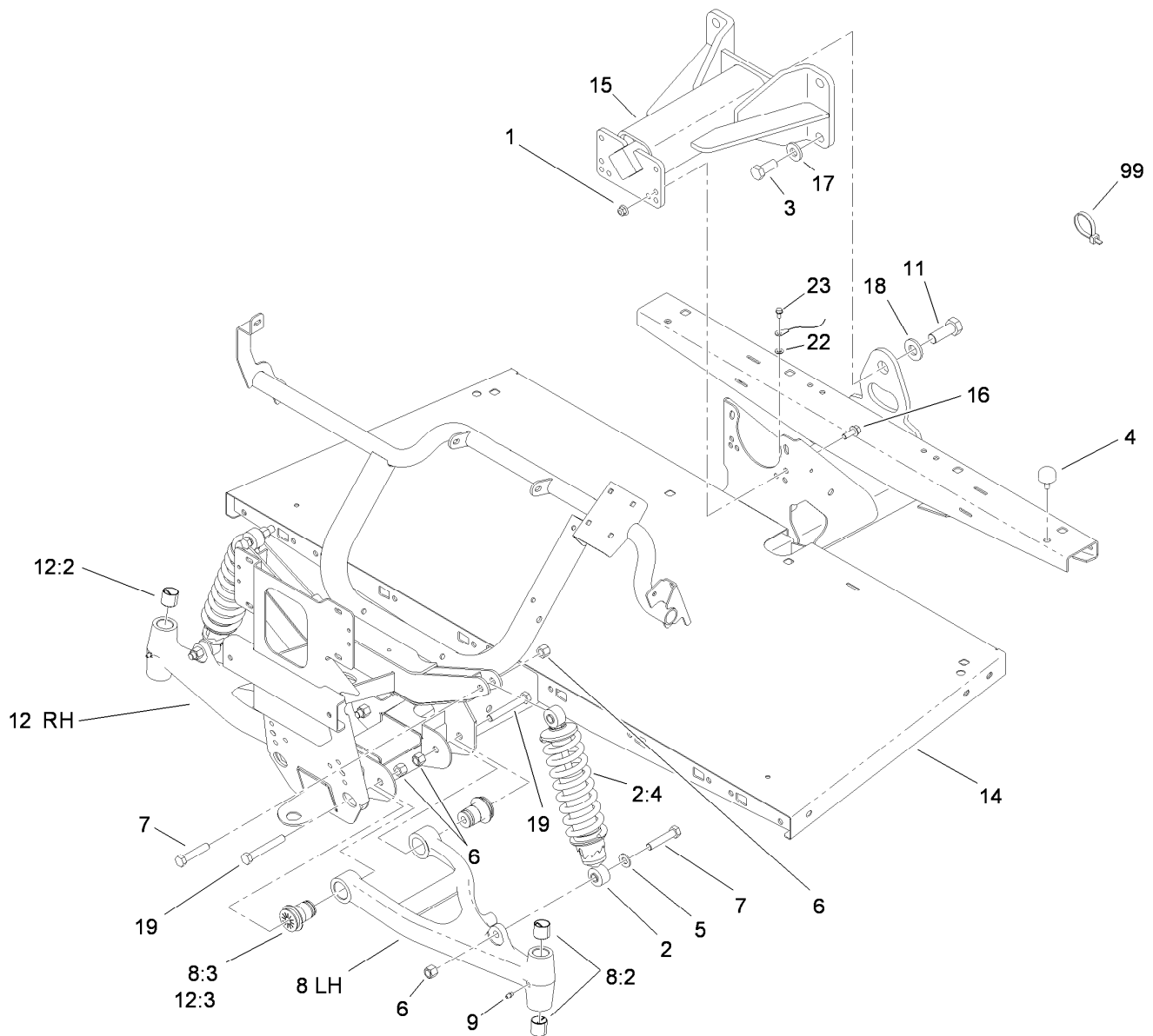
Pedal Box Assembly

<i>Ref.</i>	<i>Part Number</i>	<i>Qty.</i>	<i>Description</i>	<i>Ref.</i>	<i>Part Number</i>	<i>Qty.</i>	<i>Description</i>
1	119-0748-03	1	Pedal Support Frame ASM	11	323-11	2	Screw-HH
2	115-7630-03	1	Throttle Pedal ASM	12	323-4	2	Screw-HH
3	112-3314-03	1	Brake Pedal ASM	13	104-8301	4	Nut-Flange, NI
4	321-7	2	Screw-HH	14	104-7164	2	Pivot-Pedal
5	32149-2	2	Nut-Keps	15	32144-4	2	Screw-HWH
6	104-6415	1	Spring-Return, Pedal	16	115-7619-03	1	Cover
7	99-7407	1	Switch	17	115-7632	1	Bolt-Shoulder
8	3290-134	2	Screw	18	3296-47	1	Nut-Lock, NI
9	1-633181	1	Plate-Tapped	19	322-3	2	Screw-HH
10	256-155	4	Bushing-Flange	20	104-8300	2	Nut-Flange, NI



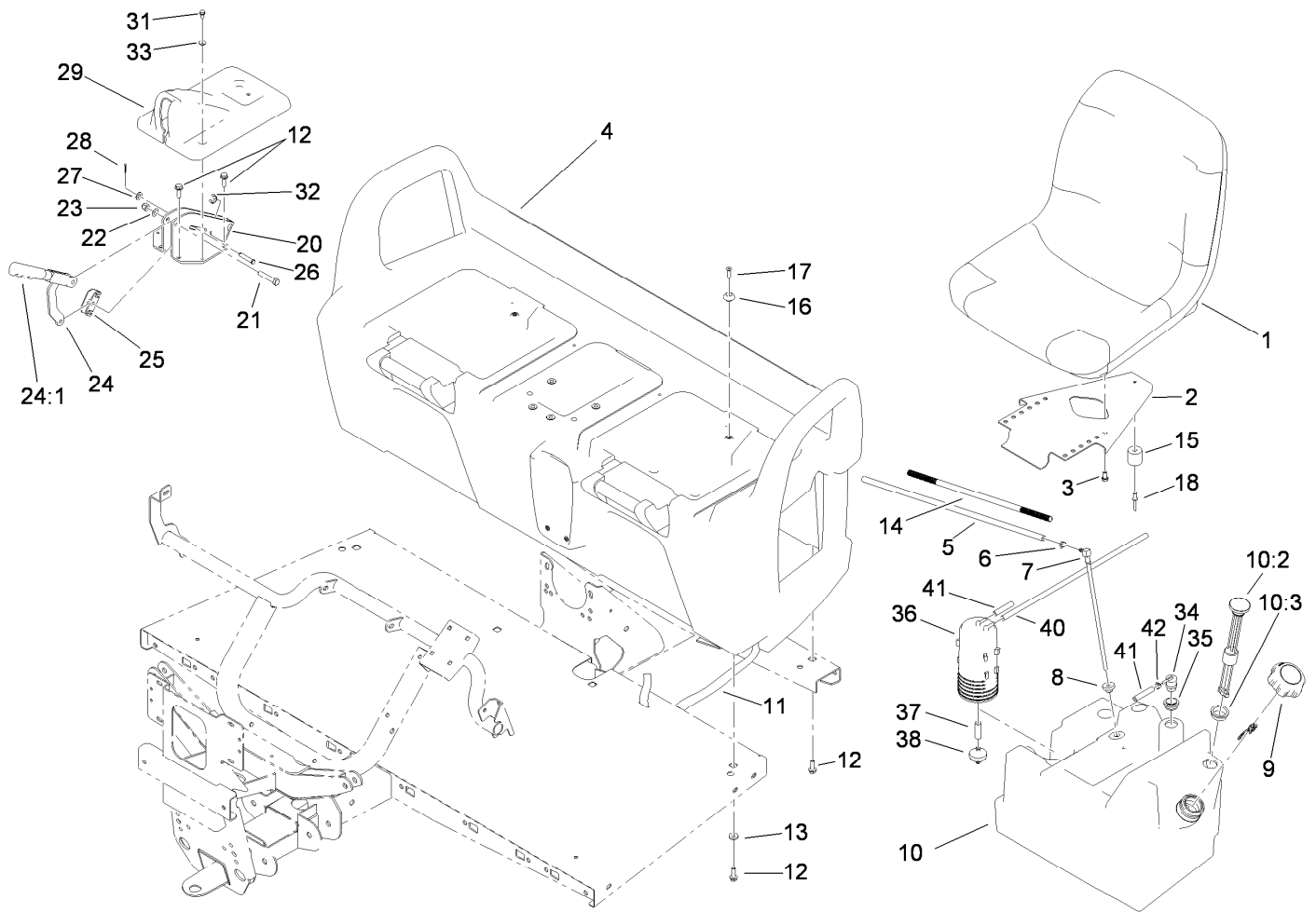
Shifter Assembly

<i>Ref.</i>	<i>Part Number</i>	<i>Qty.</i>	<i>Description</i>	<i>Ref.</i>	<i>Part Number</i>	<i>Qty.</i>	<i>Description</i>
1	104-6507	1	Cable-Choke	10	251-307	1	Bearing-Ball
2	99-7887-03	1	Plate-Shifter	11	3296-42	1	Nut-Lock, NI
3	3272-5	2	Pin-Cotter	12	32151-101	2	E-Ring
4	99-7981	1	Knob-Grip, Soft	13	323-14	2	Screw-HH
5	114-2719	1	Plate-Detent	14	108-3141-03	1	Bracket-Shift
6	104-8301	2	Nut-Flange, NI	15	99-7952	1	Decal-Shifter
7	115-7679	2	Tension Cable Control ASM	16	32105-15	4	Screw
8	104-6415	1	Spring-Return, Pedal	17	32144-4	4	Screw-HWH
9	108-3138	1	Arm-Detent	19	3290-378	1	Tie-Cable



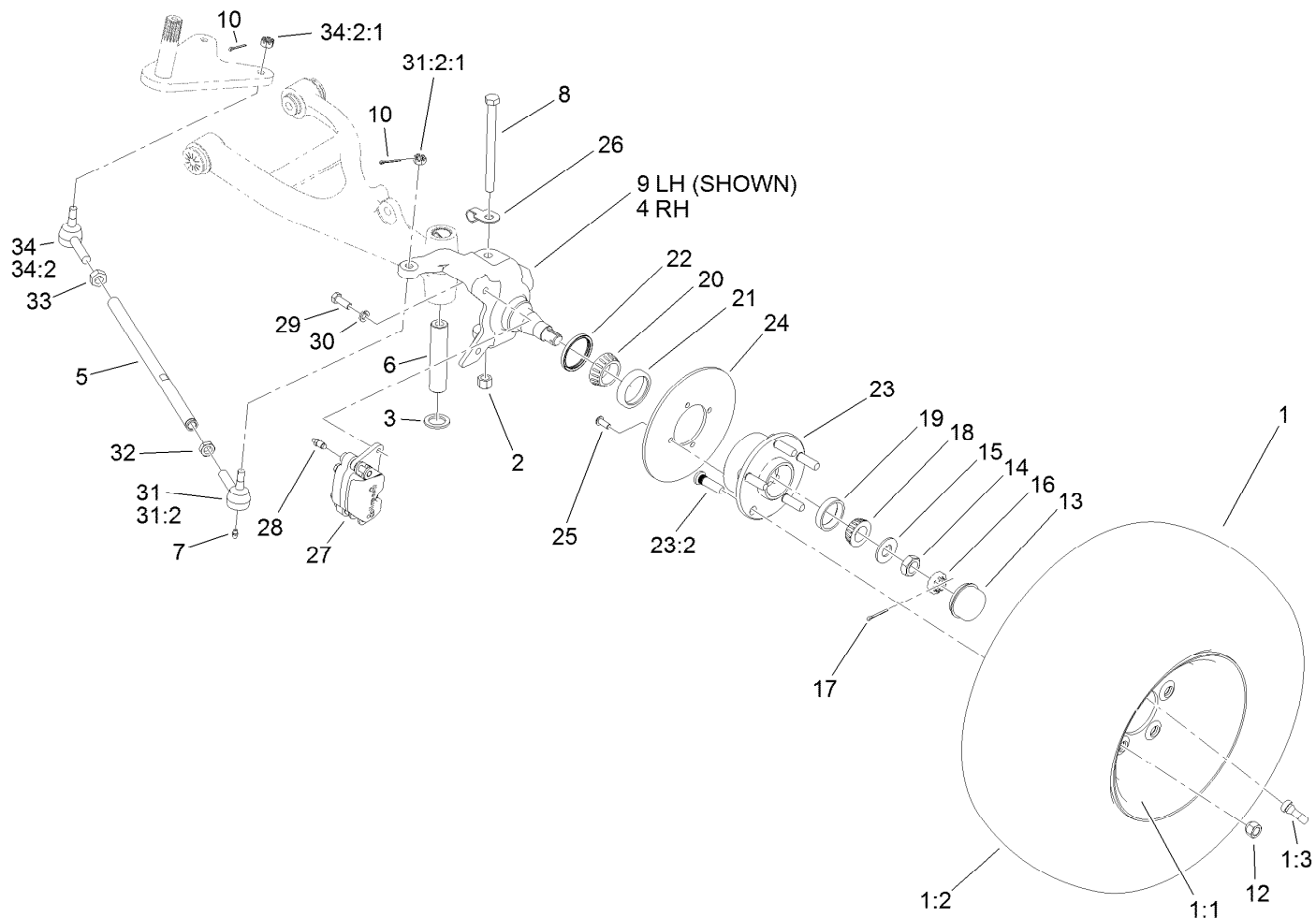
Front Frame Assembly

<i>Ref.</i>	<i>Part Number</i>	<i>Qty.</i>	<i>Description</i>	<i>Ref.</i>	<i>Part Number</i>	<i>Qty.</i>	<i>Description</i>
1	104-8301	4	Nut-Flange, NI	12	114-8314	1	RH A-Arm ASM
2	112-2975	2	Shock/Spring ASM	12:2	3-0348	2	Bushing
2:4	112-3383	1	Spring	12:3	87-1450	2	Bushing-Flange
3	327-4	4	Screw-HH	14	112-3340-03	1	Front Frame ASM
4	87-2440	1	Bumper-Rubber	15	99-7700	1	Pivot Yoke ASM
5	51-3500	2	Washer	16	3234-11	4	Screw-HHF
6	3296-23	8	Nut-Lock, NI	17	99-7667	4	Washer-Flat
7	325-10	4	Screw-HH	18	87-3060	1	Washer-Hardened
8	114-8313	1	LH A-Arm ASM	19	325-14	4	Screw-HH
8:2	3-0348	2	Bushing	22	3254-16	1	Washer-Lock/Int
8:3	87-1450	2	Bushing-Flange	23	32144-4	1	Screw-HWH
9	302-5	2	Fitting-Grease	99	3290-379	12	Tie-Cable
11	328-24	1	Screw-HH				



Seat Base Assembly

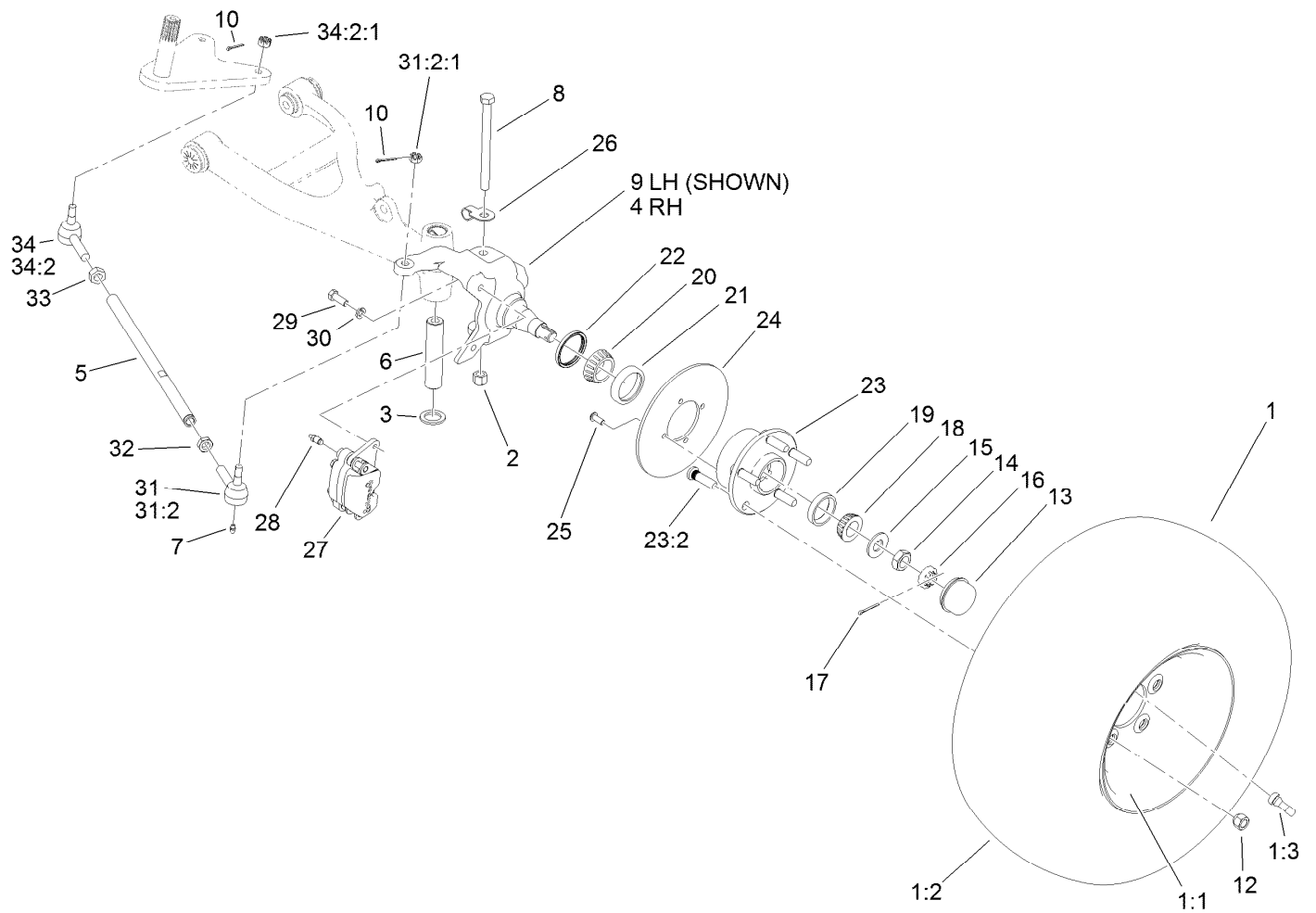
Ref.	Part Number	Qty.	Description	Ref.	Part Number	Qty.	Description
1	112-2923	2	Seat ASM	21	323-10	1	Screw-HH
2	99-7829	2	Bracket-Seat	22	3290-477	1	Washer-Curved
3	33114-016	8	Screw-HH	23	3296-39	1	Nut-Lock, NI
4	104-6847	1	Seat Base ASM	24	104-6842	1	Lever-Brake, Park
5	110-4103	1	Hose-Fuel	24:1	106-7972	1	Grip-Handle
6	2412-98	1	Clamp	25	87-3480	1	Bracket-Equalizer, Cable
7	99-7264	1	Pipe-Stand	26	94-3829	1	Pin-Clevis
8	46-6560	1	Bushing	27	3256-23	1	Washer-Flat
9	115-7788	1	Cap-Fuel	28	3272-6	1	Pin-Cotter
10	119-0784	1	Fuel Tank ASM	29	104-7014	1	Cover-Brake, Parking
10:2	99-7262	1	Gauge-Fuel	31	32144-4	2	Screw-HWH
10:3	95-8972	1	Grommet	32	32120-47	2	Ring-Retaining, External
11	3339-175	1	Strapping-Web, 48 Inch	33	3256-1	2	Washer-Flat
12	3234-17	12	Screw-HHF	34	114-0285	1	Valve-Rollover
13	88-7200	8	Washer-Flat	35	114-0284	1	Grommet
14	112-3337	1	Conduit-Line, Fuel	36	117-1221	1	Canister-Carbon, 800Cc
15	99-7830	2	Rubber Receptical ASM	37	106-5317	1	Hose-Fuel
16	99-7833	2	Post-Holding	38	115-7854	1	Filter-Fuel, Inline
17	32108-5	2	Screw-FH	40	109-0273	1	Hose-Fuel
18	3290-412	2	Rivet	41	110-8751	1	Hose-Fuel
20	104-6844-03	1	Support-Brake, Park	42	2412-146	1	Clamp-Hose



Front Tire, Spindle and Tie Rod Assembly

Ref.	Part Number	Qty.	Description	Ref.	Part Number	Qty.	Description
1	104-7290	2	Tire And Wheel ASM	18	254-94	2	Bearing-Cone, Tapered
1:1	104-7288	1	Wheel	19	254-72	2	Bearing-Cup, Tapered
1:2	104-7289	1	Tire	20	254-106	2	Cone-Bearing, Tapered
1:3	232-27	1	Stem-Valve	21	254-107	2	Cup-Bearing, Tapered
2	3296-23	2	Nut-Lock, NI	22	108-7019	2	Seal-Shaft
3	256-115	2	Washer-Thrust	23	117-8071	2	Hub ASM
4	119-9522	1	Spindle-RH	23:2	10-6830	5	Stud-Type, Drive
5	115-7654	2	Tie Rod	24	119-9520	2	Rotor
6	99-7499	2	Sleeve-Kingpin	25	3274-55	8	Screw-HSBH
7	302-5	4	Fitting-Grease	26	112-3311	2	Clip-Hose
8	325-20	2	Screw-HH	27	119-9535	2	Brake Caliper ASM
9	119-9521	1	Spindle-LH	28	119-9509	2	Screw-Bleed
10	3272-7	4	Pin-Cotter	29	323-6	4	Screw-HH
12	242-50	10	Nut-Lug	30	3253-21	4	Washer-Lock
13	241-119	2	Cap-Dust	31	112771-03	2	LH Ball Joint ASM
14	3220-7	2	Nut-Jam	31:2		1	Joint-Ball, LH ●
15	93-0309	2	Washer-Tab	31:2:1	915031	1	Nut
16	93-0307	2	Nut-Lock, Retainer	32	3218-21	2	Nut-Jam
17	3272-12	2	Pin-Cotter	33	3220-11	2	Nut-Jam

● Not serviced separately

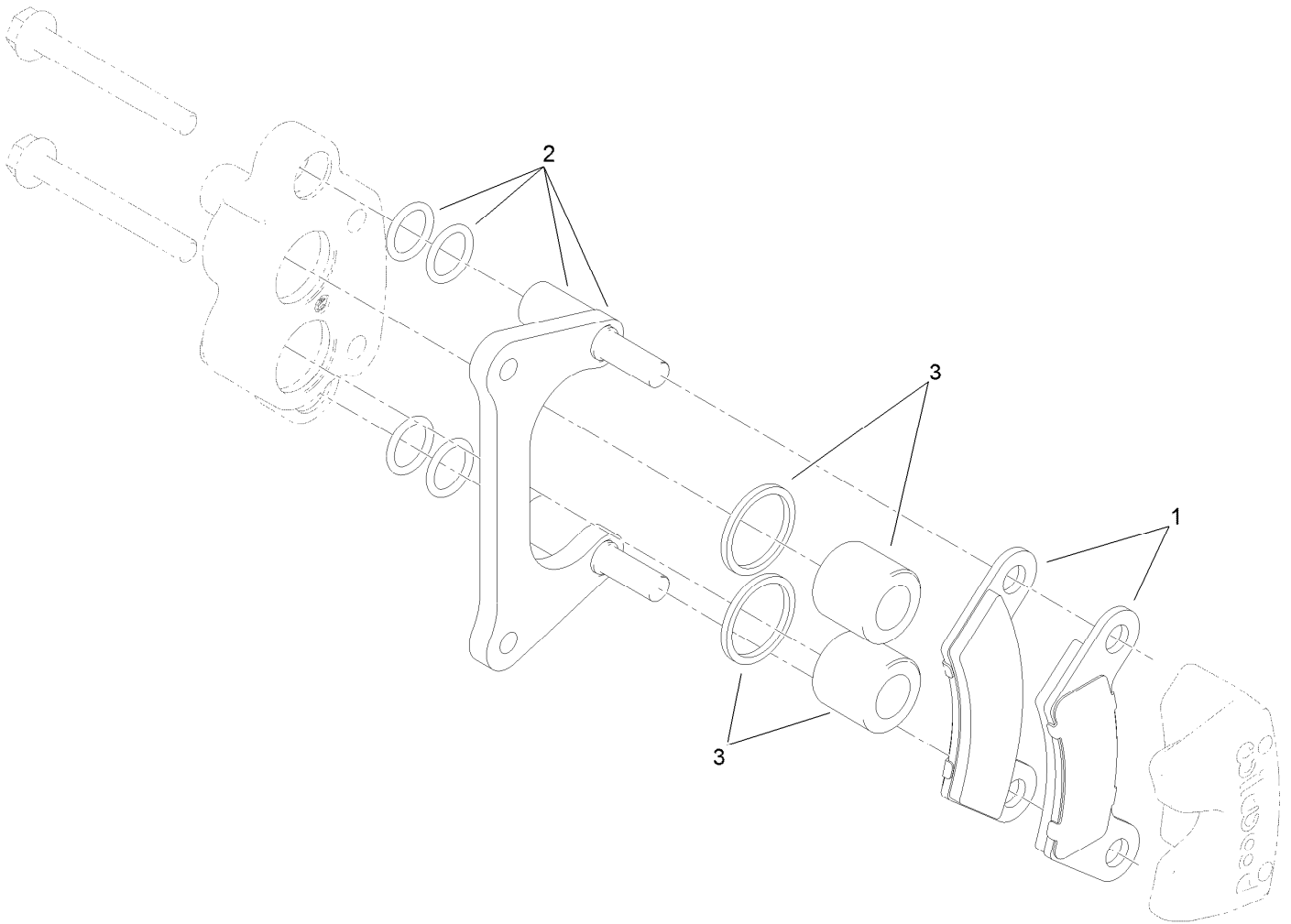


Front Tire, Spindle and Tie Rod Assembly (continued)

Ref.	Part Number	Qty.	Description
34	112772-03	2	RH Ball Joint ASM

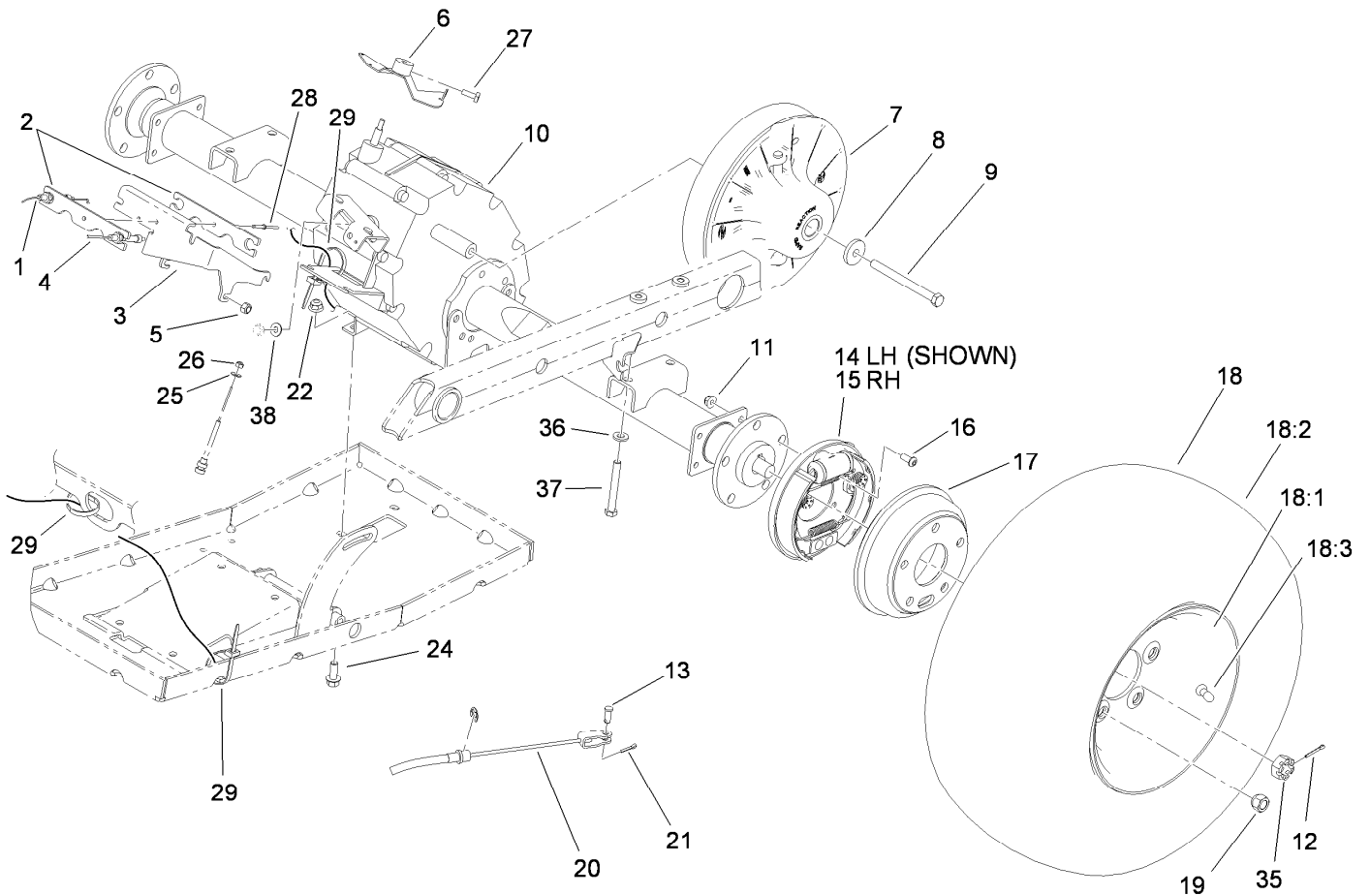
Ref.	Part Number	Qty.	Description
34:2		1	Joint-Ball, RH ●
34:2:1	915031	1	Nut

● Not serviced separately



Brake Caliper Assembly No. 119-9535

<i>Ref.</i>	<i>Part Number</i>	<i>Qty.</i>	<i>Description</i>
1	119-9510	1	Brake Pad Kit
2	119-9511	1	Bracket Kit
3	119-9512	1	Piston Kit

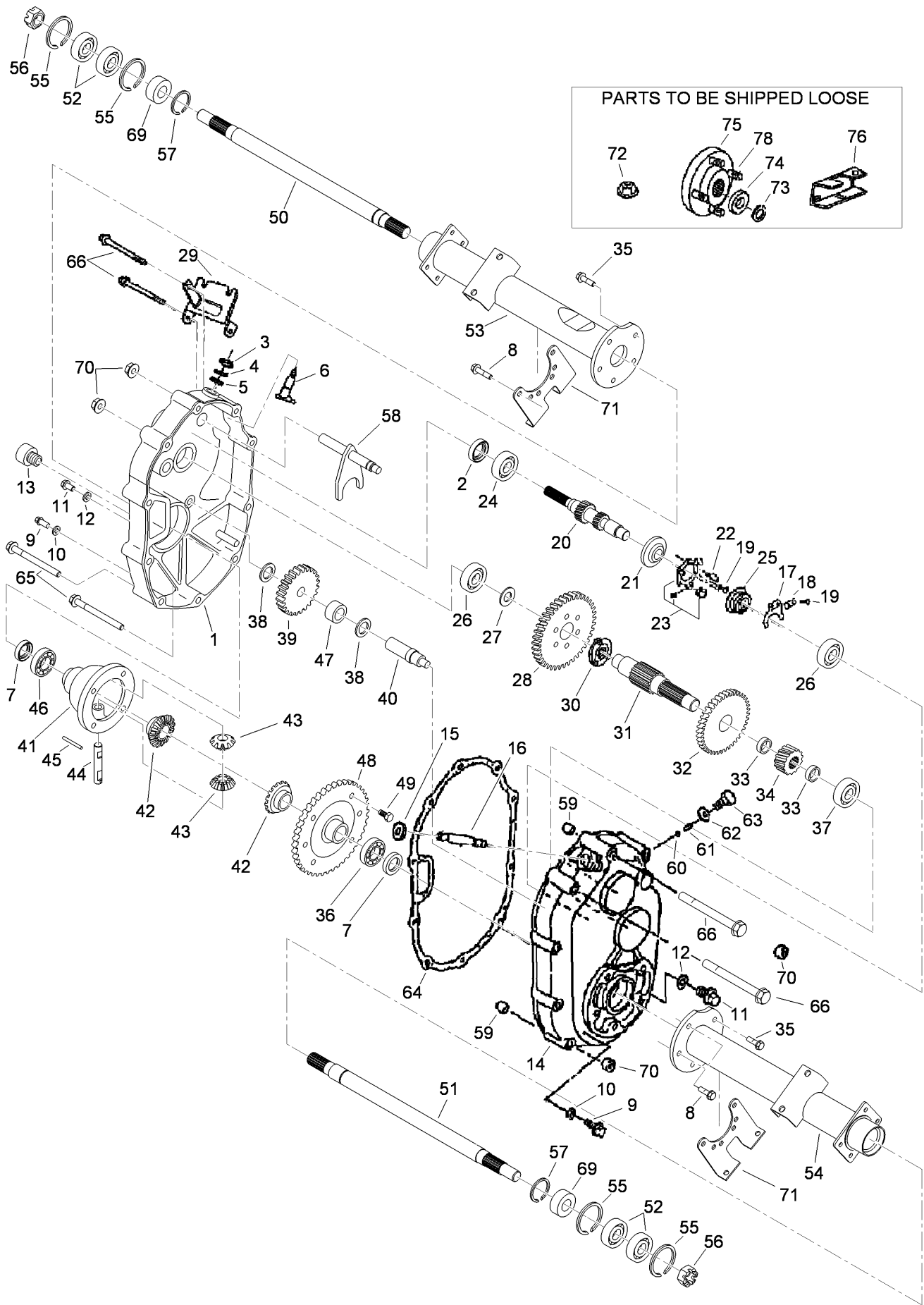


Rear Tire and Transaxle Assembly

Ref.	Part Number	Qty.	Description	Ref.	Part Number	Qty.	Description
1	104-6474	1	Cable-Governor	18:1	104-7288	1	Wheel
2	99-7121	2	Bracket-Tamper	18:2	104-7289	1	Tire
3	99-7054	1	Bracket-Cables	18:3	232-27	1	Stem-Valve
4	115-7613	1	Cable-Accelerator	19	242-50	10	Nut-Lug
5	33024-00	3	Nut-Lock	20	112-3309	2	Cable-Brake
6	104-6569	1	Bracket-Governor	21	3272-10	2	Pin-Cotter
7	119-0803	1	Clutch-Secondary	22	104-8301	4	Nut-Flange, NI
8	104-6563	1	Washer-Stepped	24	3234-11	4	Screw-HHF
9	119-0723	1	Screw-HH, Lock	25	3256-49	2	Washer-Flat
10	115-2300	1	Transaxle	26	3296-2	2	Nut-Lock, NI
11	104-8300	8	Nut-Flange, NI	27	3241-6	2	Screw-SQH
12	3272-12	2	Pin-Cotter	28	99-7122	1	Rivet-Annodized
13	283-62	2	Pin-Clevis	29	3290-378	2	Tie-Cable
14	114-8332	1	LH Brake ASM	35	104-1656	2	Nut-Castle
15	114-8331	1	RH Brake ASM	36	100-4852	4	Washer-Hardened
16	3274-55	8	Screw-HSBH	37	323-14	4	Screw-HH
17	104-6500	2	Drum-Brake	38	87-8640	1	Washer-Flat
18		2	Tire And Wheel ASM ●				

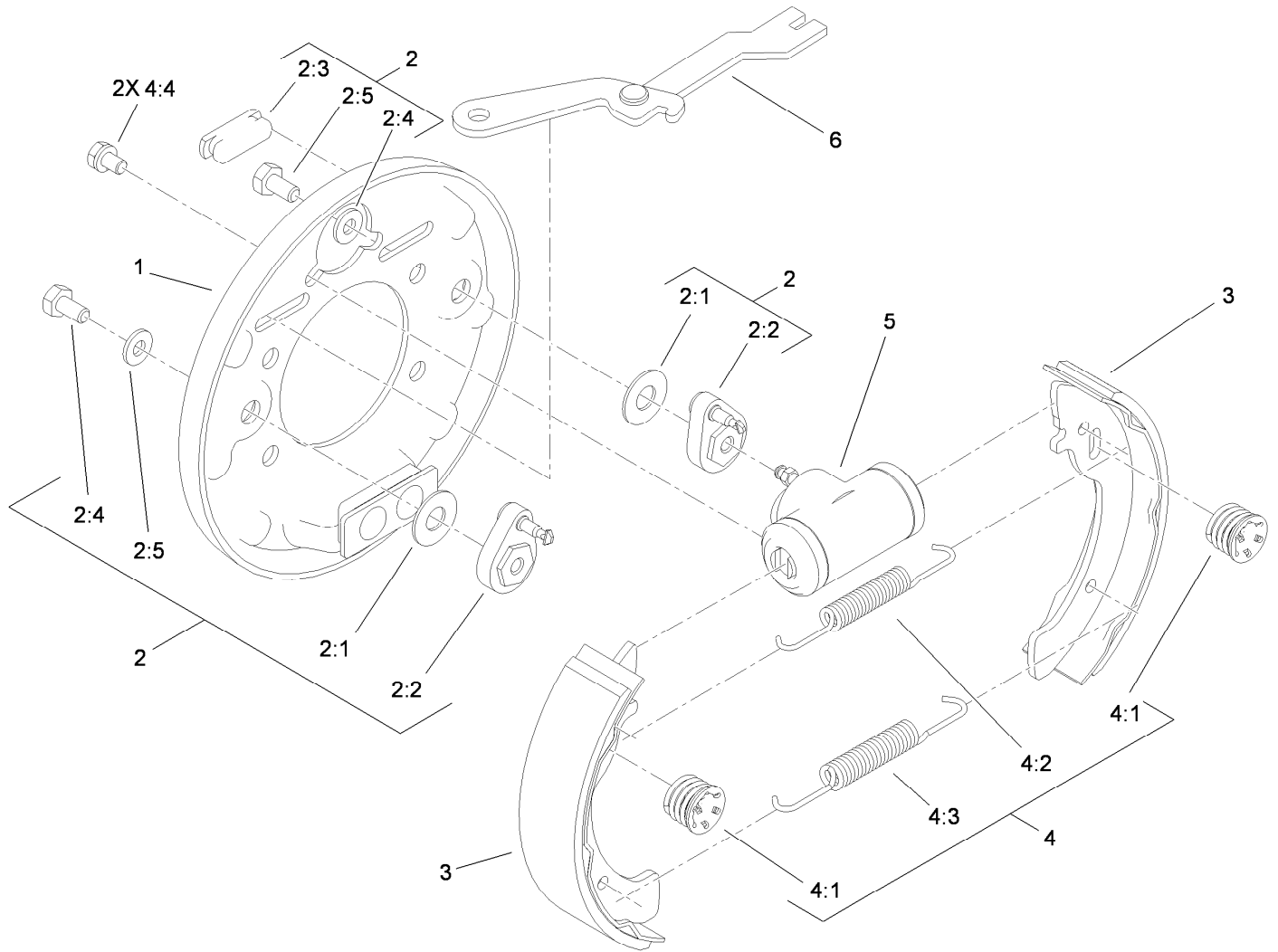
● Not serviced separately

Transaxle Assembly No. 115-2300



Transaxle Assembly No. 115-2300 (continued)

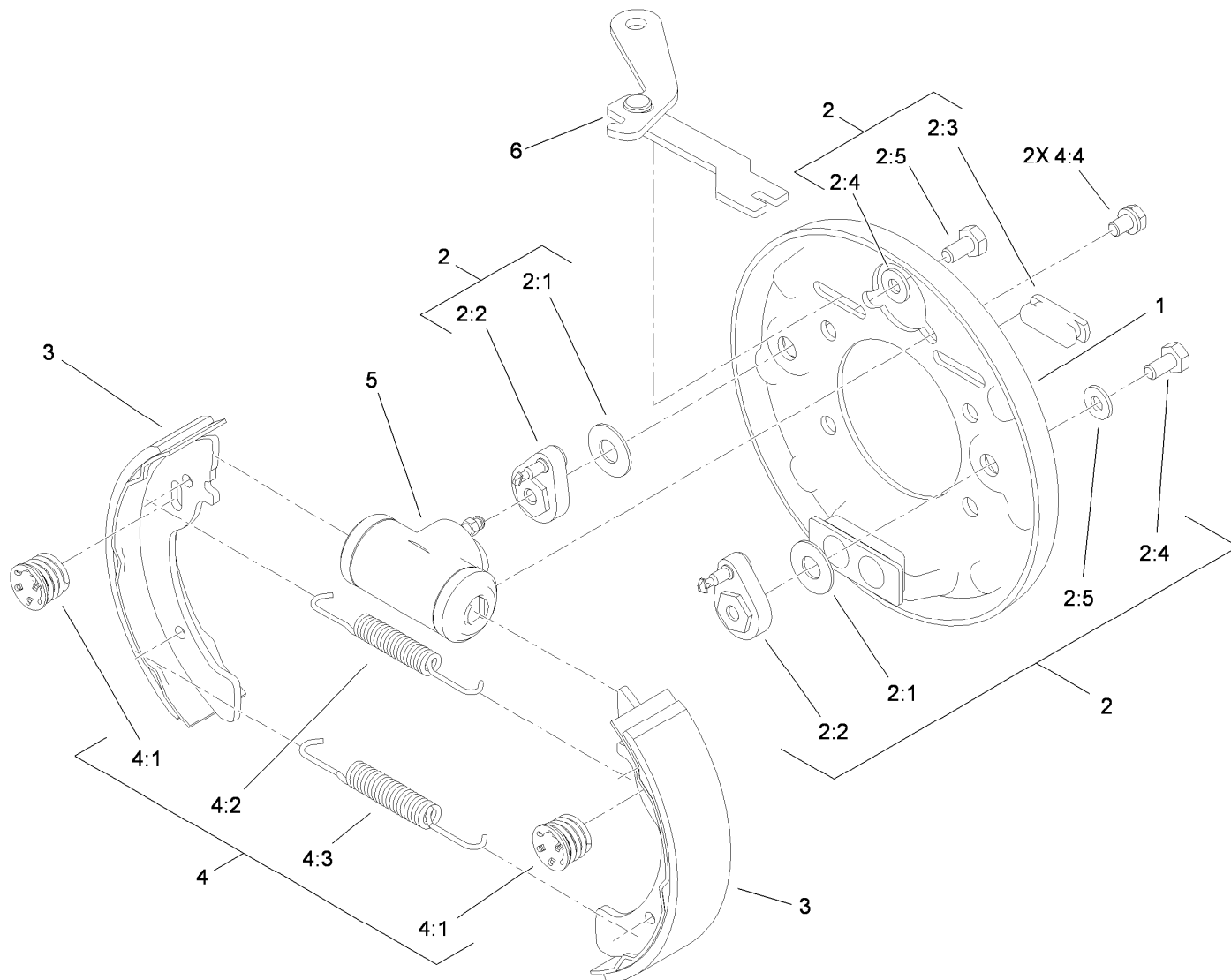
<i>Ref.</i>	<i>Part Number</i>	<i>Qty.</i>	<i>Description</i>	<i>Ref.</i>	<i>Part Number</i>	<i>Qty.</i>	<i>Description</i>
1	104-1601	1	Case-LH, Complete	39	104-1639	1	Gear
2	104-1602	1	Seal-Oil	40	104-1640	1	Shaft-Counter
3	104-1603	1	Seal-Oil	41	104-1641	1	Case-Differential
4	104-1604	1	Ring-Snap	42	104-1642	2	Gear-Side, Differential
5	104-1605	1	Spacer	43	104-1643	2	Pinion-Differential
6	104-1606	1	Shaft-Selector	44	104-1644	1	Shaft-Differential
7	104-1607	2	Seal-Oil	45	104-1645	1	Pin
8	104-1608	4	Bolt-Flange	46	104-1646	1	Bearing-Ball
9	104-1609	2	Plug-Check, Oil	47	104-1647	1	Bearing-Needle
10	104-1610	2	Gasket	48	104-1648	1	Gear
11	104-1611	2	Plug-Drain, Oil	49	104-1649	6	Bolt
12	104-1612	2	Gasket	50	104-1650	1	Shaft-Axle, LH
13	104-1613	1	Plug-Filler, Oil	51	104-1651	1	Shaft-Axle, RH
14	104-1614	1	Case-Complete, RH	52	104-1652	4	Bearing-Ball
15	104-1615	1	Seal-Oil	53	104-1653	1	Case-Axle, LH
16	104-1616	1	Shaft-Governor	54	104-1654	1	Case-Axle, RH
17	104-1617	1	Fork-Governor	55	104-1655	4	Ring-Snap
18	104-1618	1	Stopper	56	104-1656	2	Nut-Castle
19	104-1619	4	Screw And Washer ASM	57	104-1657	2	Ring-Snap
20	104-7002	1	Shaft-Input, Complete	58	104-6870	1	Shaft-Shift, Complete
21	104-1621	1	Base-Governor	59	104-1659	2	Knock-Pipe
22	104-1622	1	Pin-Lock	60	104-1660	1	Ball-Steel
23	104-1623	1	Unit-Plate, Governor	61	104-1661	1	Spring
24	104-1624	1	Bearing-Ball	62	104-1662	1	Gasket
25	104-1625	1	Sleeve-Governor	63	104-1663	1	Bolt
26	104-1626	2	Bearing-Ball	64	104-1664	1	Gasket
27	104-1627	1	Spacer	65	104-1665	6	Bolt-Flange
28	104-1628	1	Gear	66	104-1666	4	Bolt-Flange
29	115-7672	1	Bracket-Wire, Change	69	104-6867	2	Collar
30	104-1630	1	Clutch-Pin	70	33004-00	11	Nut-HF
31	104-1631	1	Shaft-Center	71	104-1671	2	Bracket-Axle
32	104-1632	1	Gear	72	104-1672	1	Nut-Lock
33	104-1633	2	Collar	73	104-1673	2	Washer-Spring
34	104-1634	1	Gear	74	104-1674	2	Washer
35	104-1635	6	Bolt-Flange	75	104-1675	2	Hub
36	104-1636	1	Bearing-Ball	76	112-3287	1	Lever-Select
37	104-1637	1	Bearing-Ball	78	104-8649	10	Stud
38	104-1638	2	Spacer				



LH Rear Brake Assembly No. 114-8332

Ref.	Part Number	Qty.	Description
1	100-8586	1	Backing Plate ASM
2	104-6820	1	Adjuster Kit
2:1	100-8585	2	Washer-Bellville
2:2	100-8588	2	Adjuster Lever ASM
2:3	100-8584	2	Cover-Dust
2:4		2	Washer ●
2:5		2	Bolt ●
3	104-6818	4	Shoe And Lining Kit
4	104-6819	1	Hardware Kit
4:1	100-8583	2	Shoe Hold Down Spring ASM
4:2	100-8581	2	Spring-Upper
4:3	100-8582	2	Spring-Lower
4:4		2	Bolt And Washer ●
5	114-8333	1	Wheel Cylinder ASM
6	104-6825	1	LH Park Brake Lever ASM

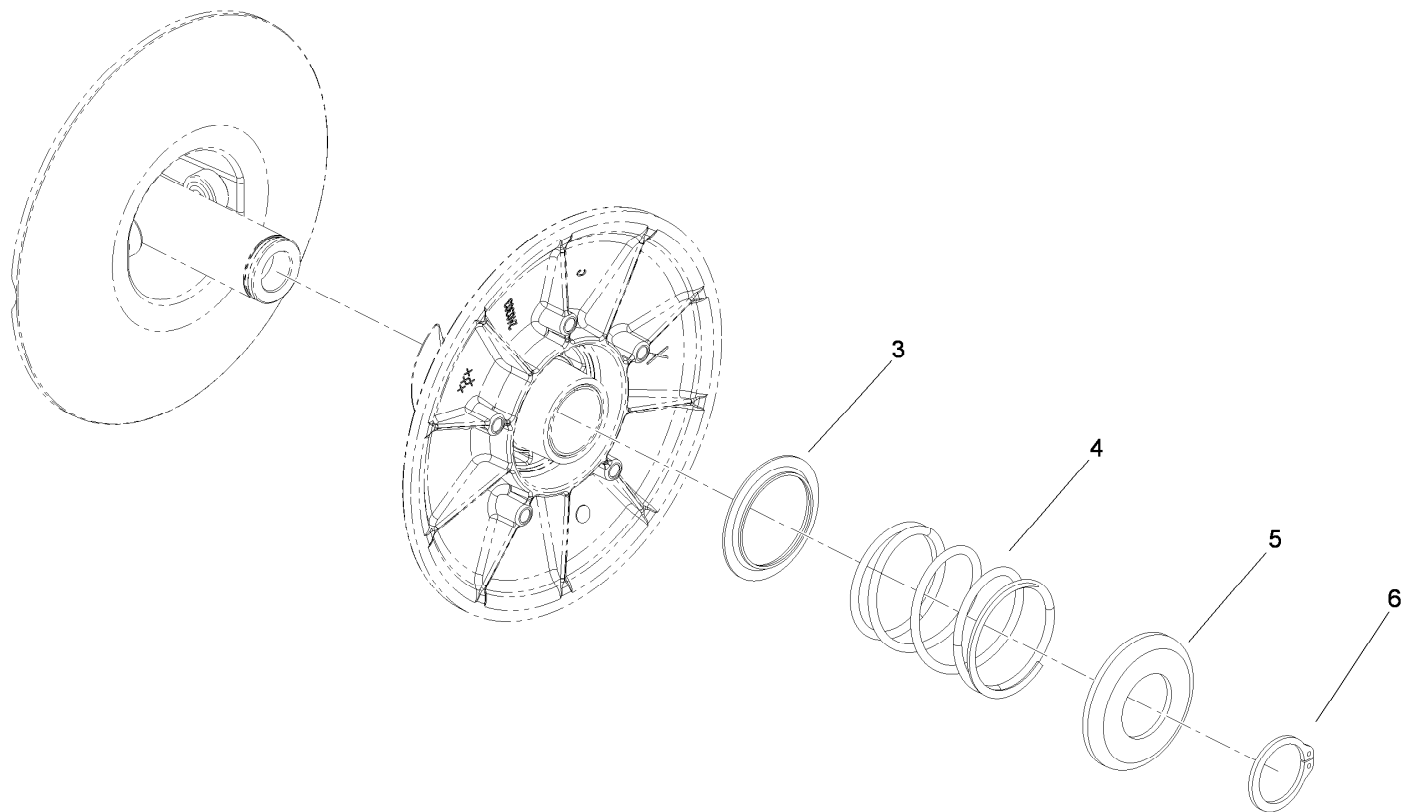
● Not serviced separately



RH Rear Brake Assembly No. 114-8331

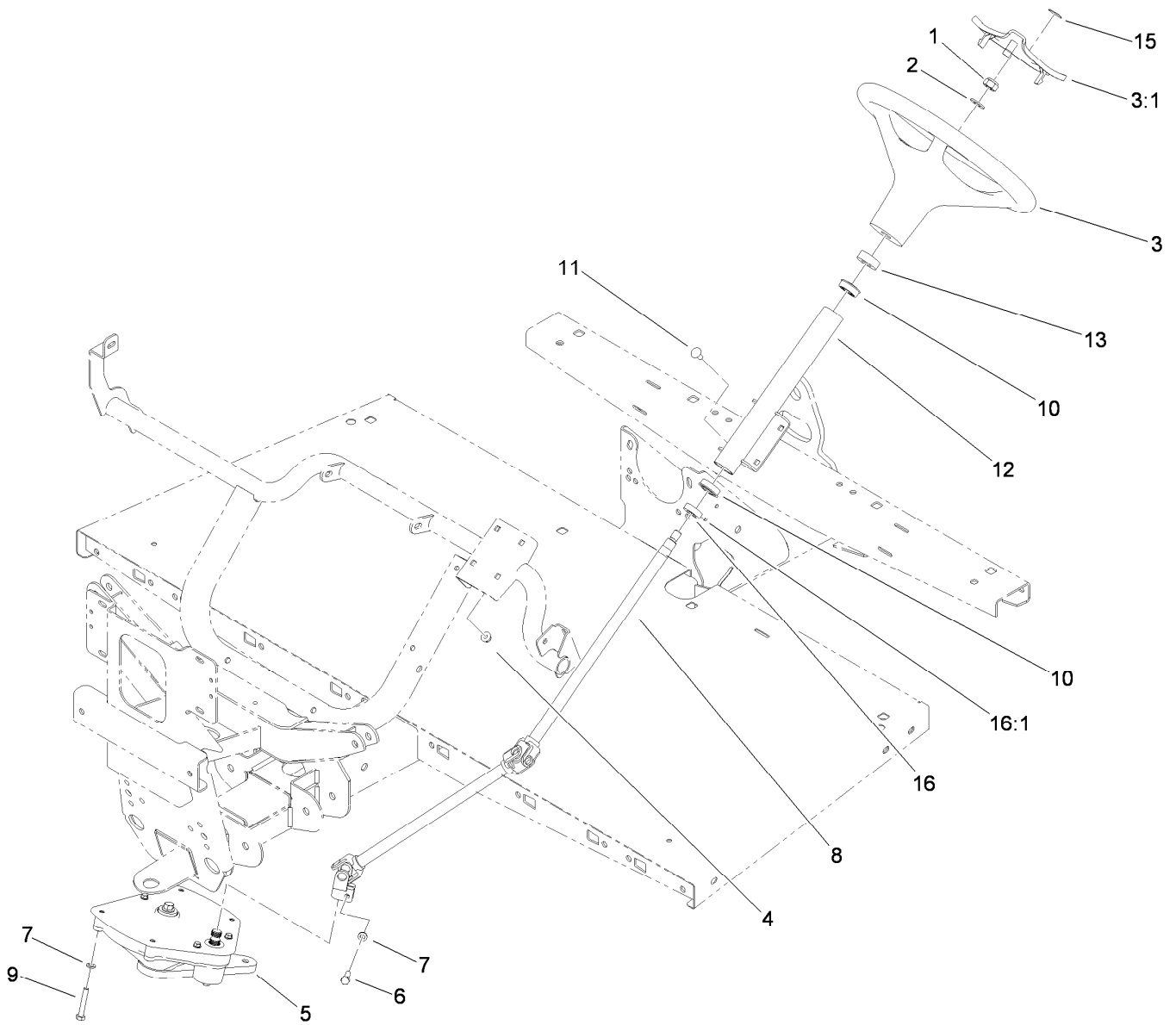
Ref.	Part Number	Qty.	Description
1	100-8586	1	Backing Plate ASM
2	104-6820	1	Adjuster Kit
2:1	100-8585	2	Washer-Bellville
2:2	100-8588	2	Adjuster Lever ASM
2:3	100-8584	2	Cover-Dust
2:4		2	Washer ●
2:5		2	Bolt ●
3	104-6818	4	Shoe And Lining Kit
4	104-6819	1	Hardware Kit
4:1	100-8583	2	Shoe Hold Down Spring ASM
4:2	100-8581	2	Spring-Upper
4:3	100-8582	2	Spring-Lower
4:4		2	Bolt And Washer ●
5	114-8333	1	Wheel Cylinder ASM
6	104-6826	1	RH Park Brake Lever ASM

● Not serviced separately



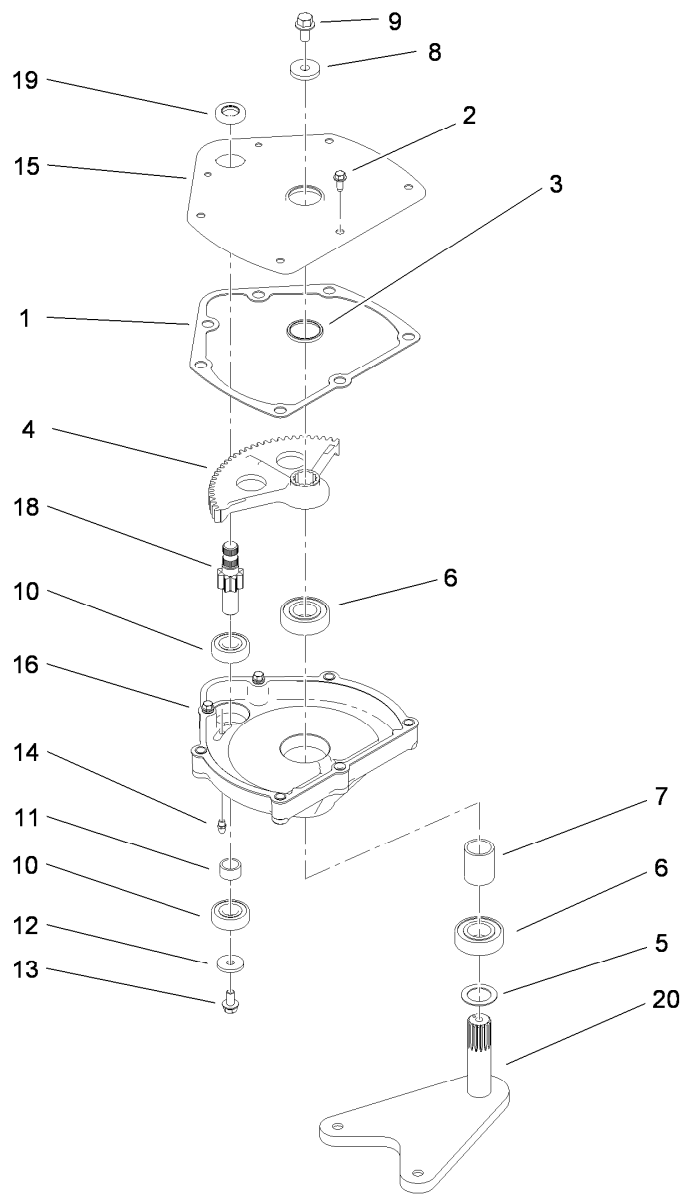
Secondary Clutch Assembly No. 119-0803

<i>Ref.</i>	<i>Part Number</i>	<i>Qty.</i>	<i>Description</i>
3	119-0809	1	Cup-Spring Retainer, Inner
4	119-0808	1	Spring-Secondary (Black/Blue)
5	119-0810	1	Cup-Spring Retainer, Outer
6	119-0811	1	Ring-Retaining



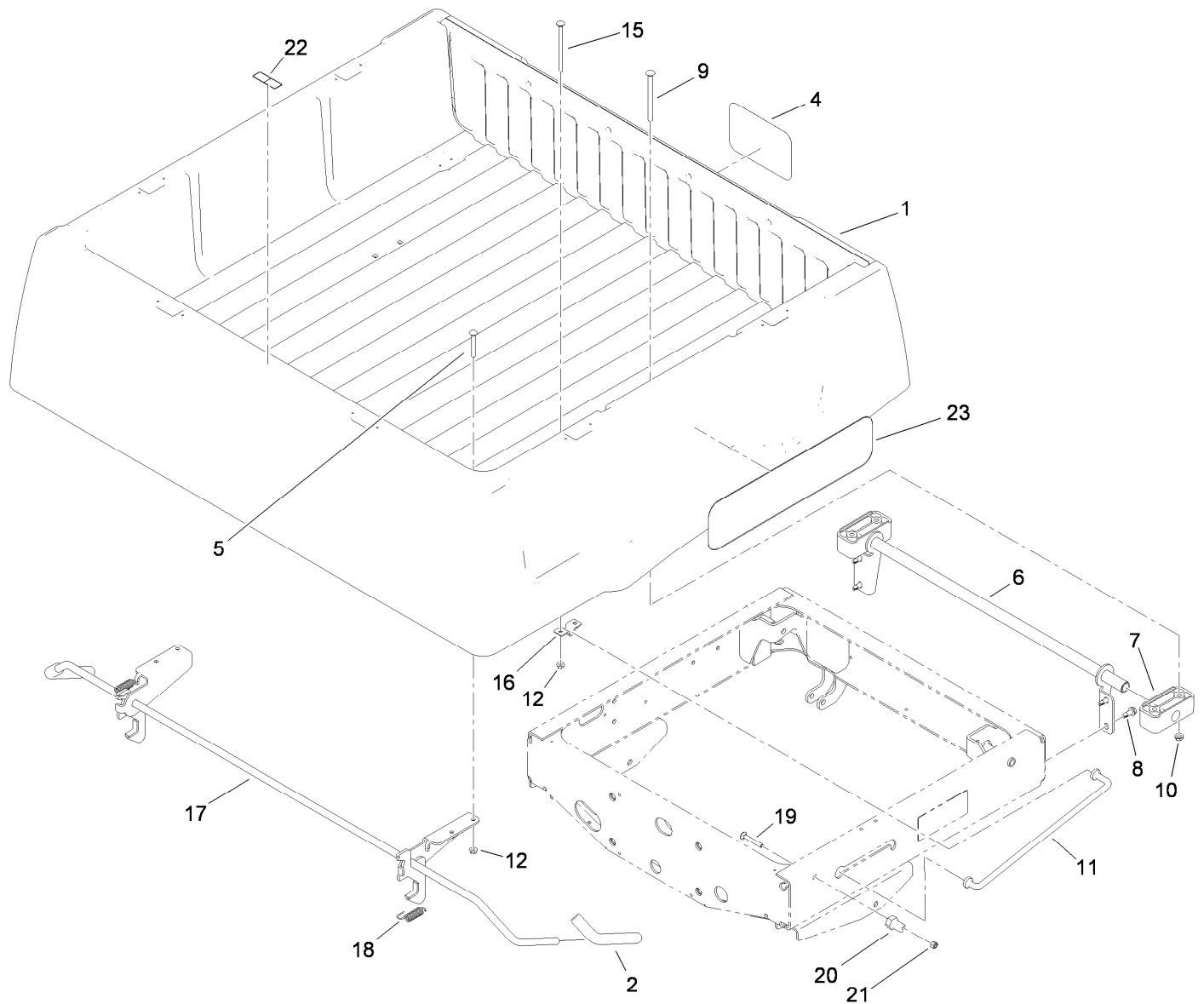
Upper Steering Assembly

<i>Ref.</i>	<i>Part Number</i>	<i>Qty.</i>	<i>Description</i>	<i>Ref.</i>	<i>Part Number</i>	<i>Qty.</i>	<i>Description</i>
1	119-9493	1	Nut-Lock, NI	9	112-3305	4	Screw-HH
2	3256-26	1	Washer-Flat	10	112-3262	2	Bearing
3	98-1471	1	Wheel-Steering	11	3230-1	4	Bolt-CARR
3:1	98-1468	1	Cover-Wheel, Steering	12	112-3264-03	1	Column ASM
4	104-8300	4	Nut-Flange, NI	13	21-9260	1	Cover-Dust
5	112-3130	1	Steering Box ASM	15	98-1459	1	Decal
6	48-7730	1	Screw-Cap, HH	16	111383	1	Collar
7	3253-4	5	Washer-Lock	16:1	3245-32	1	Screw-HSH
8	112-3355	1	Steering Shaft				



Steering Box Assembly No. 112-3130

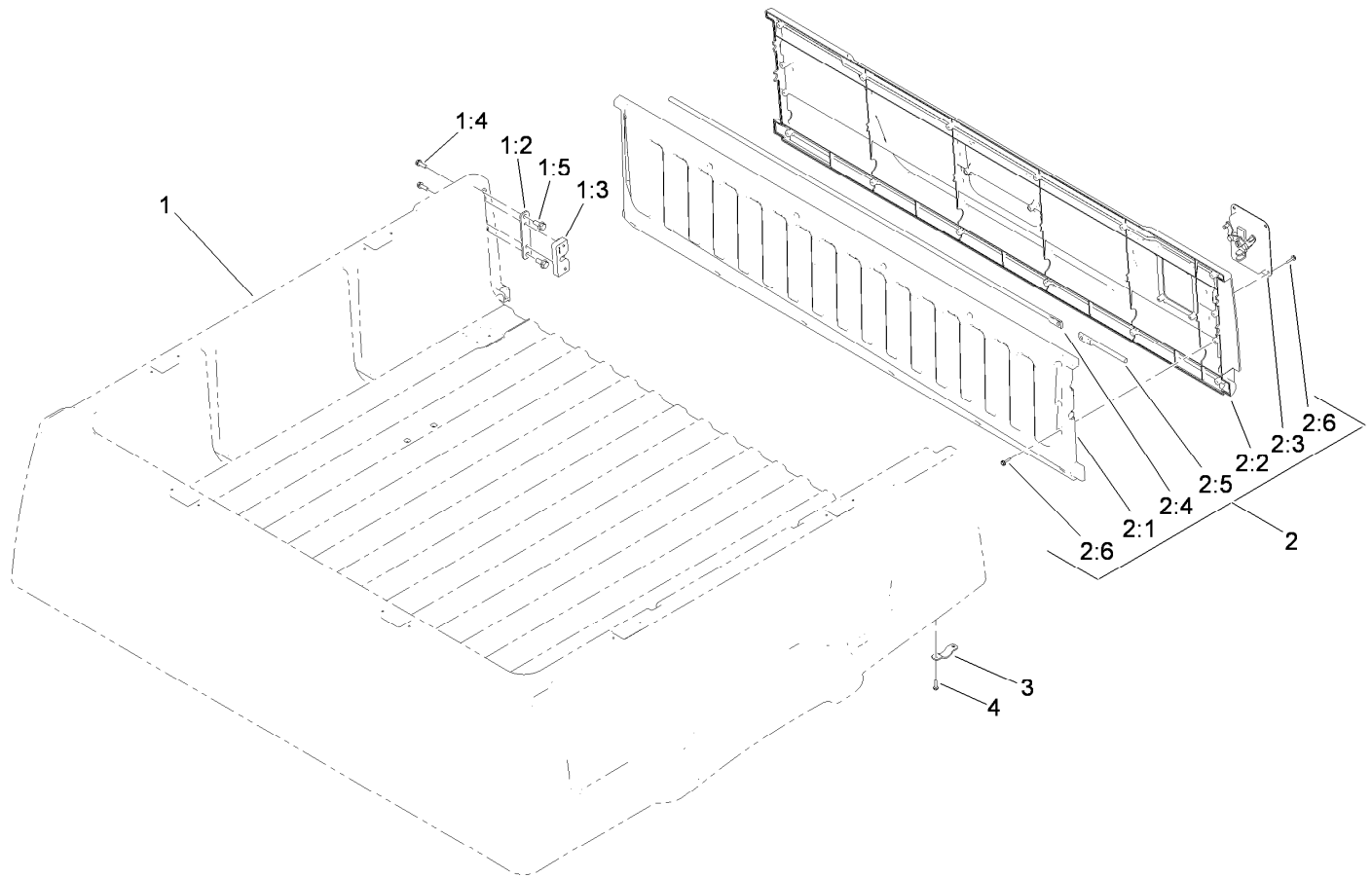
<i>Ref.</i>	<i>Part Number</i>	<i>Qty.</i>	<i>Description</i>	<i>Ref.</i>	<i>Part Number</i>	<i>Qty.</i>	<i>Description</i>
1	94-2135	1	Gasket	11	94-2217	1	Spacer-Shaft, Input
2	32144-10	3	Screw-HWH	12	1-613235	1	Washer
3	103118	1	Seal	13	98-3498	1	Screw-HH
4	99-7843	1	Sector-Gear	14	302-5	1	Fitting-Grease
5	3256-42	1	Washer-Flat	15	112-2918-03	1	Cover-Housing, Steering
6	251-82	2	Bearing-Ball	16	114-8309	1	Housing-Steering
7	112-2917	1	Spacer	18	115-7726	1	Gear-Pinion
8	104-6563	1	Washer-Stepped	19	99-7657	1	Seal-Oil
9	104-7156	1	Screw-HHF	20	112-3096-03	1	Pitman Arm ASM
10	38-7820	2	Bearing-Ball				



Box and Tailgate Installation Assembly

Ref.	Part Number	Qty.	Description	Ref.	Part Number	Qty.	Description
1		1	Cargo Bed And Tailgate ASM ●	12	32128-20	6	Nut-HF
2	119-9627	2	Grip-Handle	15	119-0914	2	Bolt-CARR
4	104-7213	1	Decal	16	99-7896	1	Bracket-U, Prop Rod
5	3230-8	4	Screw-CARR	17	119-0837	1	Latch ASM
6	119-0848-03	1	Pivot Bracket ASM	18	5-7290	2	Spring-Tension
7	119-0835	2	Bushing-Pivot	19	3230-7	2	Screw-CARR
8	105-6245	4	Screw-Tapping	20	104-7248	2	Pin-Latch
9	109-6795	4	Bolt-CARR	21	3296-29	2	Nut-Lock, NI
10	3290-357	4	Nut-HHF, Whiz	22	115-7739	1	Decal-No Riders
11	119-0844	1	Rod-Prop	23	119-0894	2	Decal

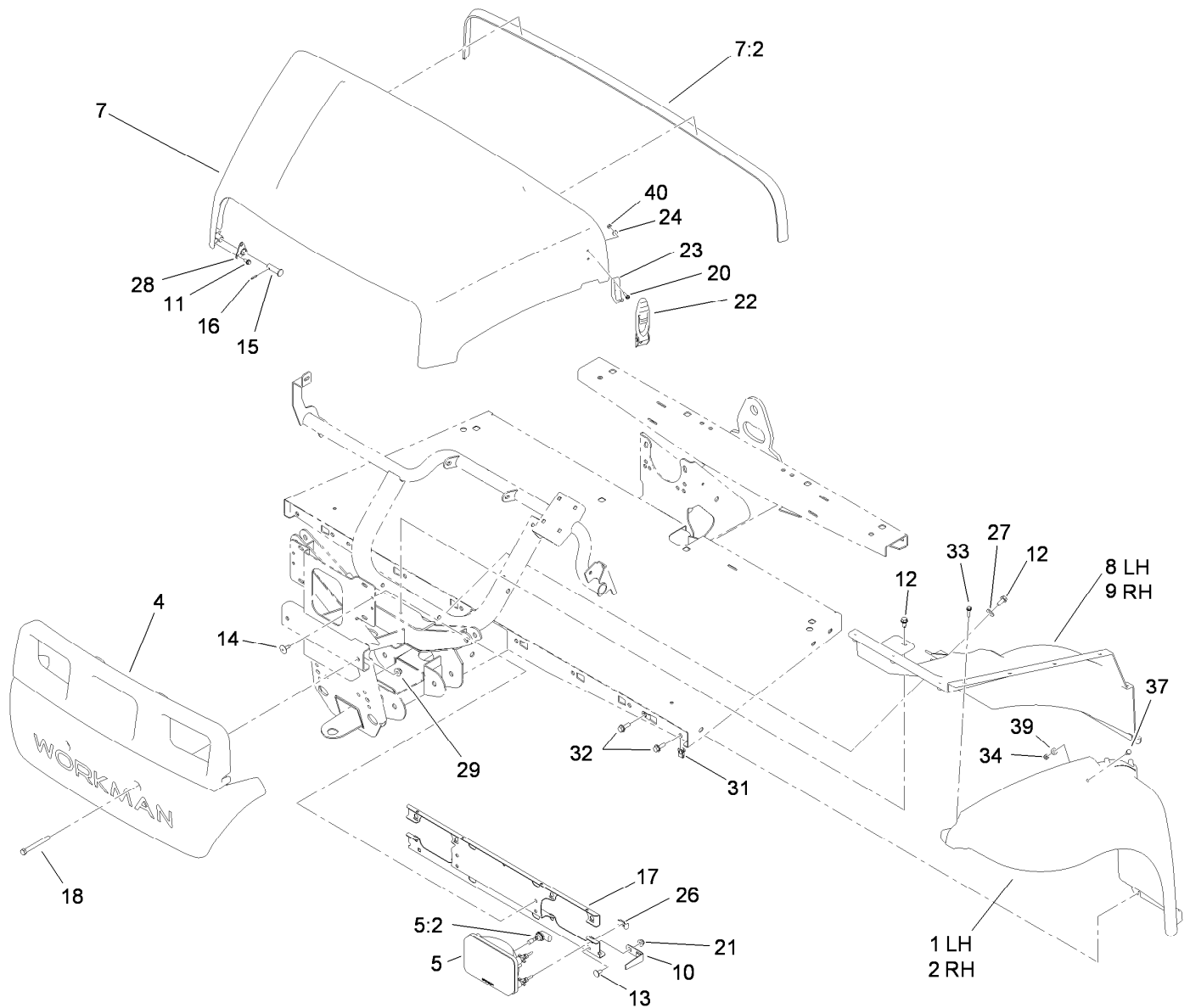
● Not serviced separately



Cargo Bed Service Assembly No. 119-9710

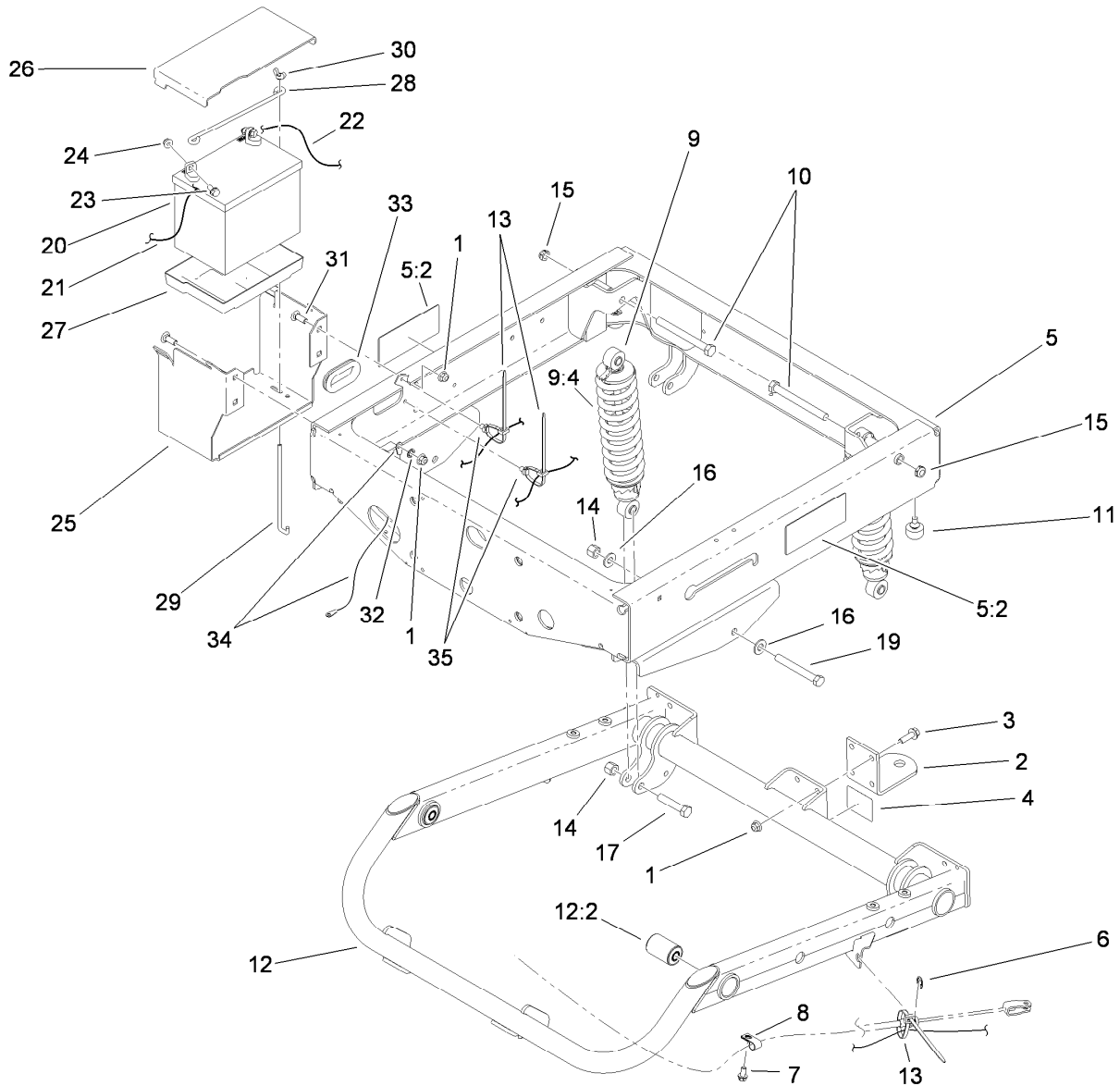
Ref.	Part Number	Qty.	Description
1		1	Cargo Bed W/ Strikes ●
1:2	119-0838	2	Mount-Striker
1:3	119-0892	2	Strike-Latch
1:4	3234-47	4	Screw-HHF
1:5	32105-15	4	Screw
2		1	Tailgate ASM ●
2:1	119-0839	1	Tailgate Inner
2:2	119-0840	1	Tailgate Outer
2:3	119-0891	1	Handle-Latch
2:4	119-0842	1	Rod-Latch, RH
2:5	119-0843	1	Rod-Latch, LH
2:6	98-1375	20	Screw-HWH
3	119-0849	2	Retainer-Tailgate
4	98-1375	4	Screw-HWH

● Not serviced separately



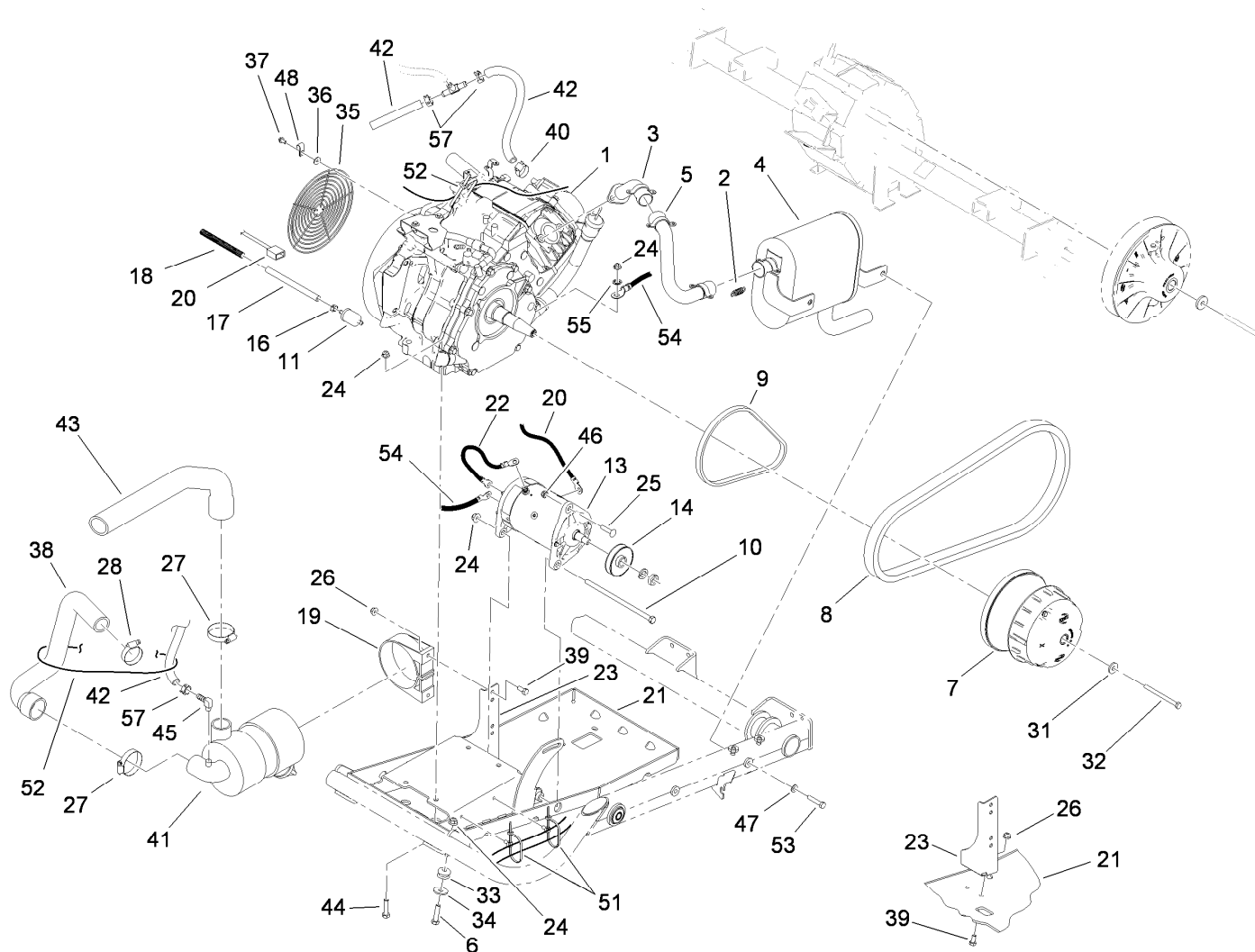
Hood and Fender Assembly

Ref.	Part Number	Qty.	Description	Ref.	Part Number	Qty.	Description
1	112-3371	1	Fender-LH	18	115-7660	2	Screw-HHF
2	112-3370	1	Fender-RH	20	32105-13	4	Screw-HWH
4	112-3365	1	Bumper	21	32128-20	2	Nut-HF
5	114-8322	2	Headlight	22	115-2416	2	Latch-Rubber
5:2	115-2395	1	Light Bulb ASM	23	103-2897	2	Latch-Catch
7	115-7636	1	Hood ASM	24	3256-14	4	Washer-Flat
7:2	115-7635	1	Seal-Foam	26	115-2408	6	Clip-Speed
8	112-3369	1	Well-Fender, LH	27	3256-71	2	Washer-Flat
9	112-3368	1	Well-Fender, RH	28	112-3308	2	Retainer-Pin
10	112-3373	2	Keeper-Pivot, Hood	29	104-8301	2	Nut-Flange, NI
11	46-8093	6	Screw-Plastite	31	112-3306	10	Nut
12	32104-32	4	Screw-HWH	32	3234-29	10	Screw-HHF
13	3230-18	2	Screw-CARR	33	46-8091	20	Screw-HWH
14	146489	4	Rivet	34	3296-42	2	Nut-Lock, NI
15	117-5094	2	Pin-Clevis	37	321-39	2	Screw-HH
16	32121-50	2	Pin-Spring	39	3256-22	2	Washer-Flat
17	119-0841-03	1	Bracket-Headlight	40	3296-2	4	Nut-Lock, NI



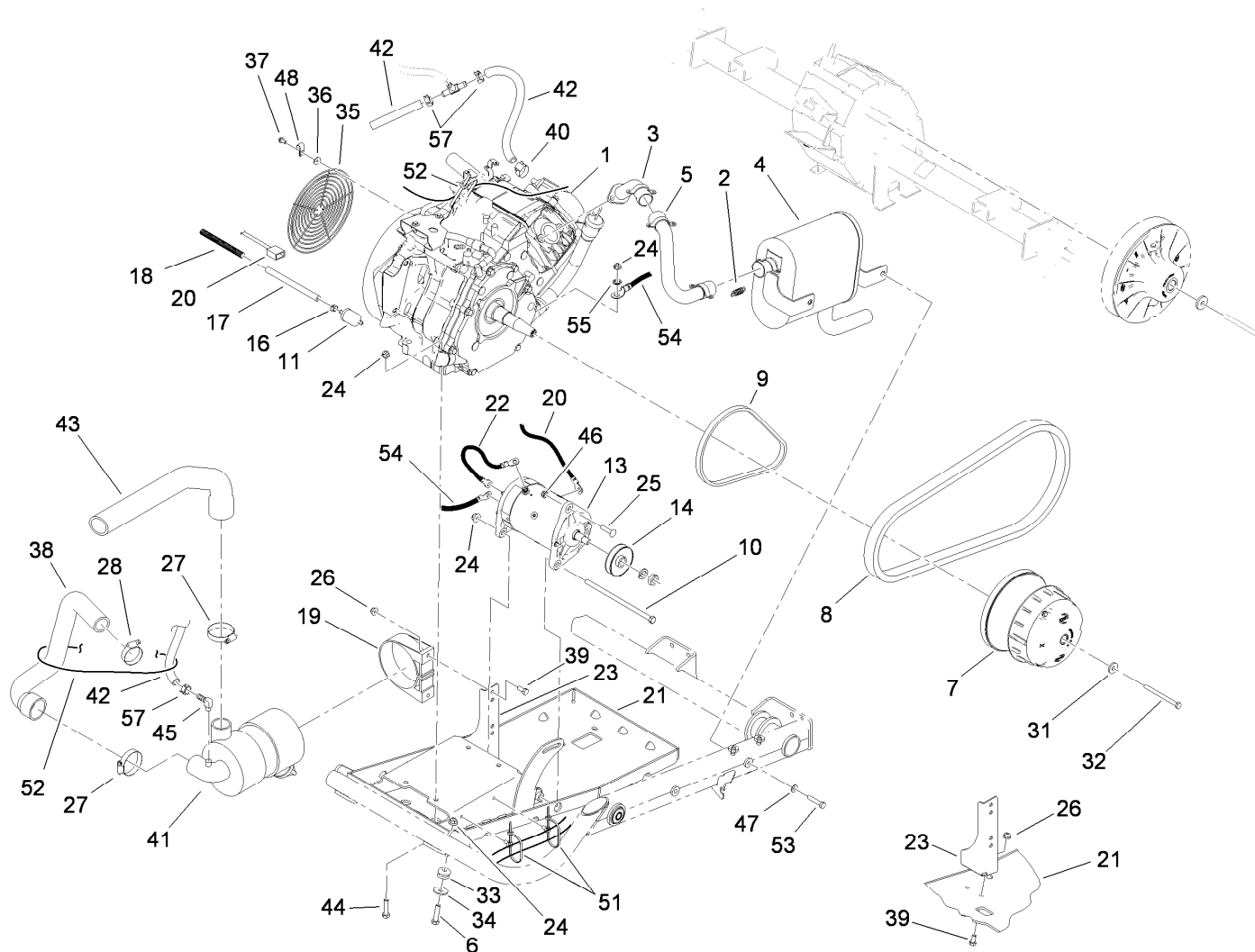
Frame Assembly

Ref.	Part Number	Qty.	Description	Ref.	Part Number	Qty.	Description
1	104-8301	8	Nut-Flange, NI	16	87-7270	4	Washer-Thrust
2	99-7654-03	1	Hitch-Duty, Light	17	325-10	2	Screw-HH
3	3234-24	4	Screw-HHF	19	325-17	2	Screw-HH
4	99-7350	1	Decal-Rating, Hitch (Light Duty)	20	104-8162	1	Battery
5	119-9628	1	Rear Frame Service ASM	21	115-8107	1	Cable-Battery, Negative
5:2	99-7345	2	Decal-Warning	22	114-9404	1	Cable-Battery, Positive
6	32120-47	2	Ring-Retaining, External	23	3234-5	2	Screw-HHF
7	32144-4	2	Screw-HWH	24	104-8300	2	Nut-Flange, NI
8	2412-89	2	Clamp-R	25	115-2302-03	1	Base-Battery
9	112-3168	2	Rear Shock/Spring ASM	26	115-2394	1	Cover-Battery
9:4	112-3386	1	Spring	27	106948	1	Tray-Battery
10	325-19	2	Screw-HH	28	100-6434	1	Rod-Hold Down, Battery
11	87-2440	2	Bumper-Rubber	29	100-6435	2	Post-Battery
12	115-7614	1	Swing Arm ASM	30	32103-22	2	Nut-Wing
12:2	112-3377	2	Bushing-Arm, Control	31	3231-22	4	Screw-CARR
13	3290-378	4	Tie-Cable	32	3254-6	1	Washer-Lock, Internal
14	3296-23	4	Nut-Lock, NI	33	240-12	1	Grommet
15	3296-45	2	Nut-Lock, NI	34	115-8108	1	Cable-Battery, Negative
				35	32180-030	2	Clip-Harness



Engine and Clutch Assembly

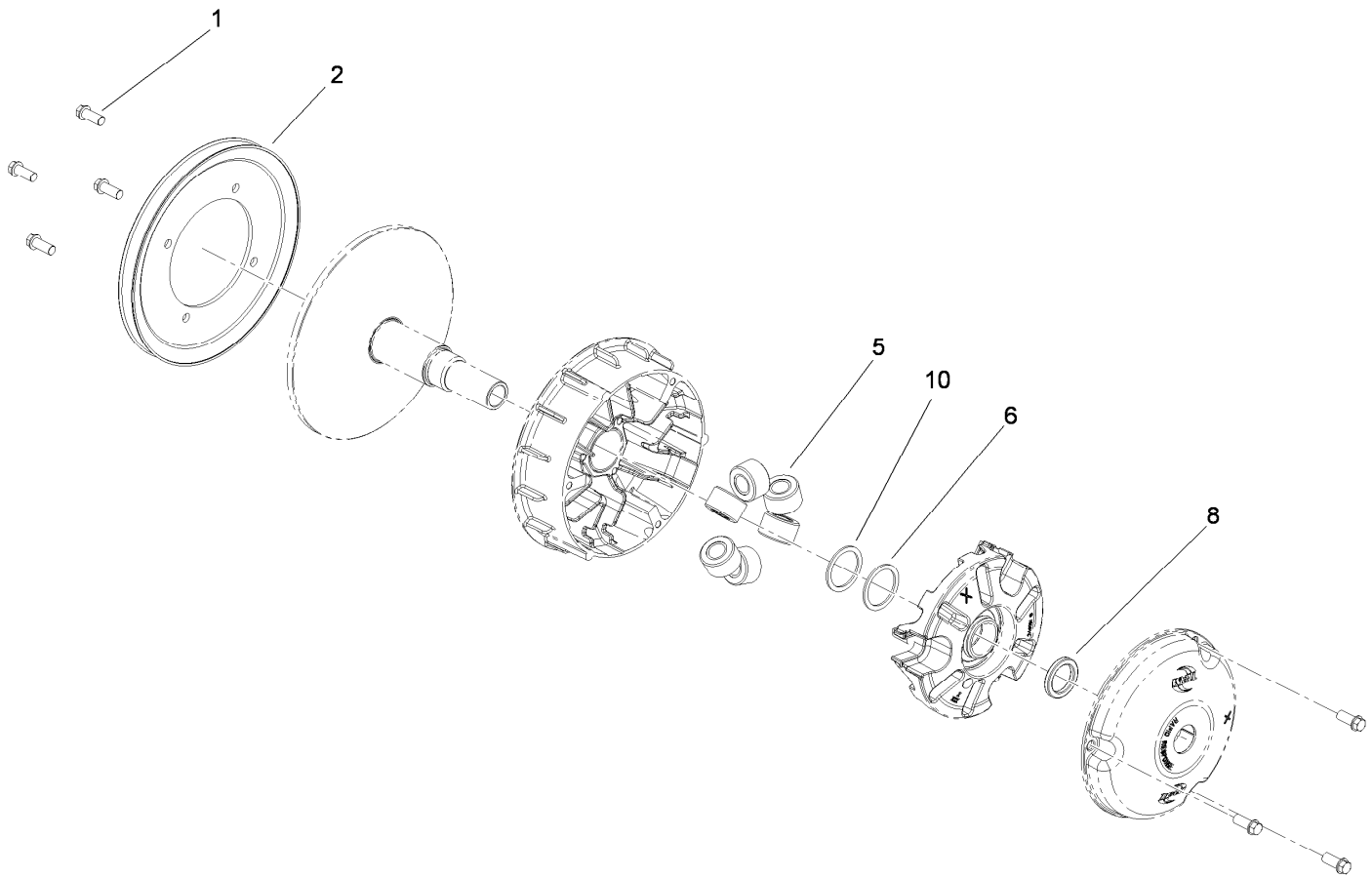
Ref.	Part Number	Qty.	Description	Ref.	Part Number	Qty.	Description
1	119-0816	1	Engine-Yamaha, Mz360	24	104-8301	7	Nut-Flange, NI
2	104-6478	4	Spring-Coupler, Exhaust	25	112-6950	1	Screw-CARR
3	104-6511	1	Manifold	26	104-8300	4	Nut-Flange, NI
4	119-0746	1	Muffler	27	2412-130	2	Clamp-Hose
5	119-0716	1	Pipe-Exhaust, Kohler	28	2412-111	1	Clamp
6	323-8	2	Screw-HH	31	119-0724	1	Washer-Flange
7	119-0802	1	Clutch-Primary	32	119-0721	1	Screw-HH
8	119-0710	1	Belt-Variable	33	63-9750	2	Mount
9	112-3131	1	Belt-Starter	34	2844	2	Washer
10	323-30	1	Screw-HH	35	119-9502	1	Grill-Engine
11	94-2690	1	Filter-Fuel	36	3256-78	4	Washer-Flat
13	119-9545	1	Starter Generator ASM	37	33103-012	4	Screw-HHF
14	119-9482	1	Pulley-Drive	38	112-3247	1	Hose-Intake
16	2412-98	3	Clamp	39	3234-36	4	Screw-HHF
17	107-0588	1	Hose-Fuel	40	2412-36	1	Clamp-Hose
18	99-7377	1	Conduit-Line, Fuel	41	99-7120	1	Air Cleaner ASM
19	95-5806	1	Bracket-Mounting	42	74-9120	2	Hose-Overflow, Radiator
20	115-8125	1	Harness-Wire, Engine	43	115-7625	1	Hose-Intake
21	119-0707-03	1	Engine Tray ASM	44	323-9	4	Screw-HH
22	99-7403	1	Cable-Negative	45	99-7230	1	Fitting-90 DEG
23	119-0863-03	1	Bracket-Cleaner, Air	46	3296-69	1	Nut-Lock NI



Engine and Clutch Assembly (continued)

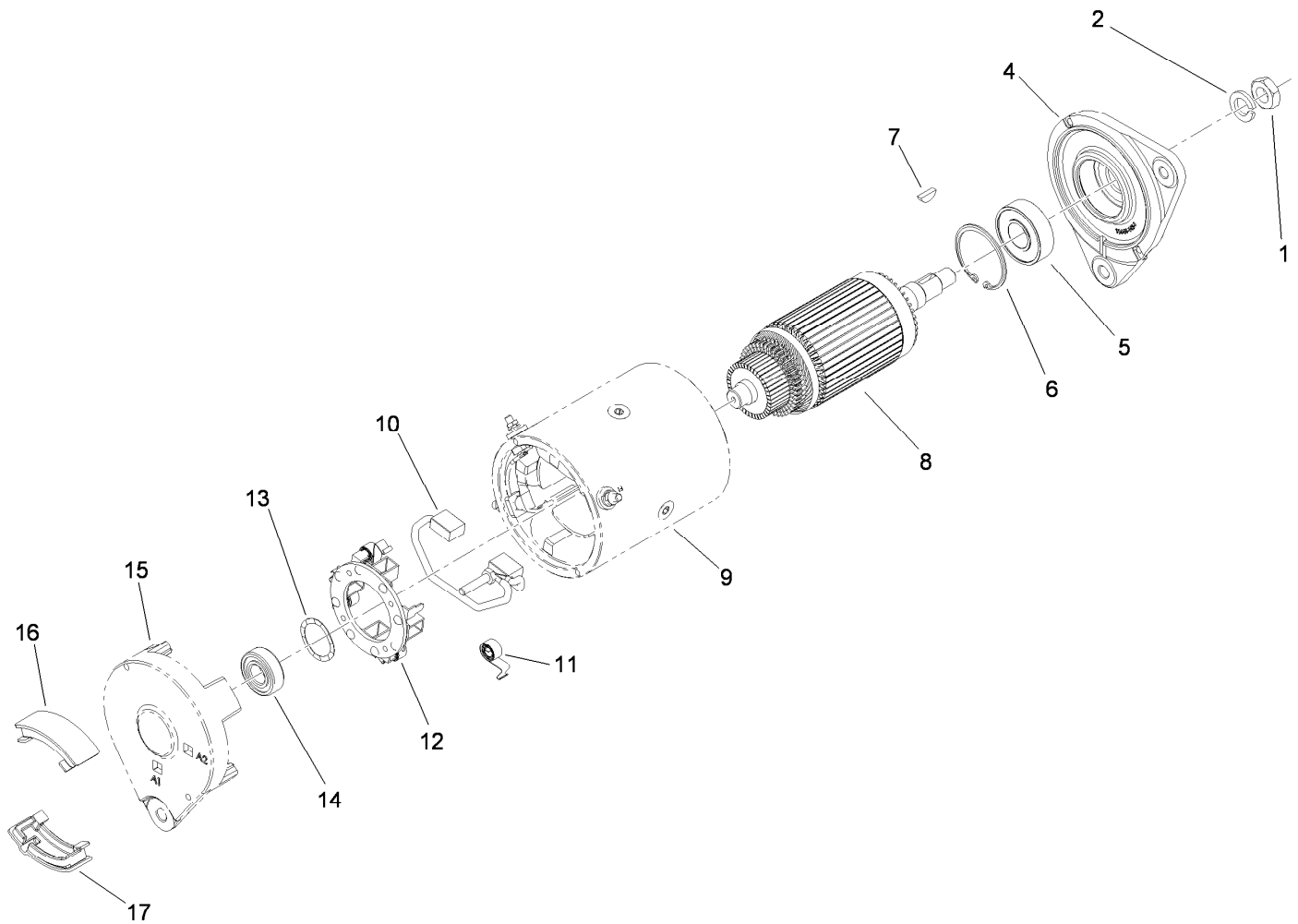
<i>Ref.</i>	<i>Part Number</i>	<i>Qty.</i>	<i>Description</i>
47	3253-4	2	Washer-Lock
48	2412-89	1	Clamp-R
51	32180-030	2	Clip-Harness
52	3290-378	2	Tie-Cable

<i>Ref.</i>	<i>Part Number</i>	<i>Qty.</i>	<i>Description</i>
53	322-11	2	Screw-HH
54	100335	1	Wire-Ground
55	3254-6	1	Washer-Lock, Internal
57	103-1988	3	Clamp-Hose



Primary Clutch Assembly No. 119-0802

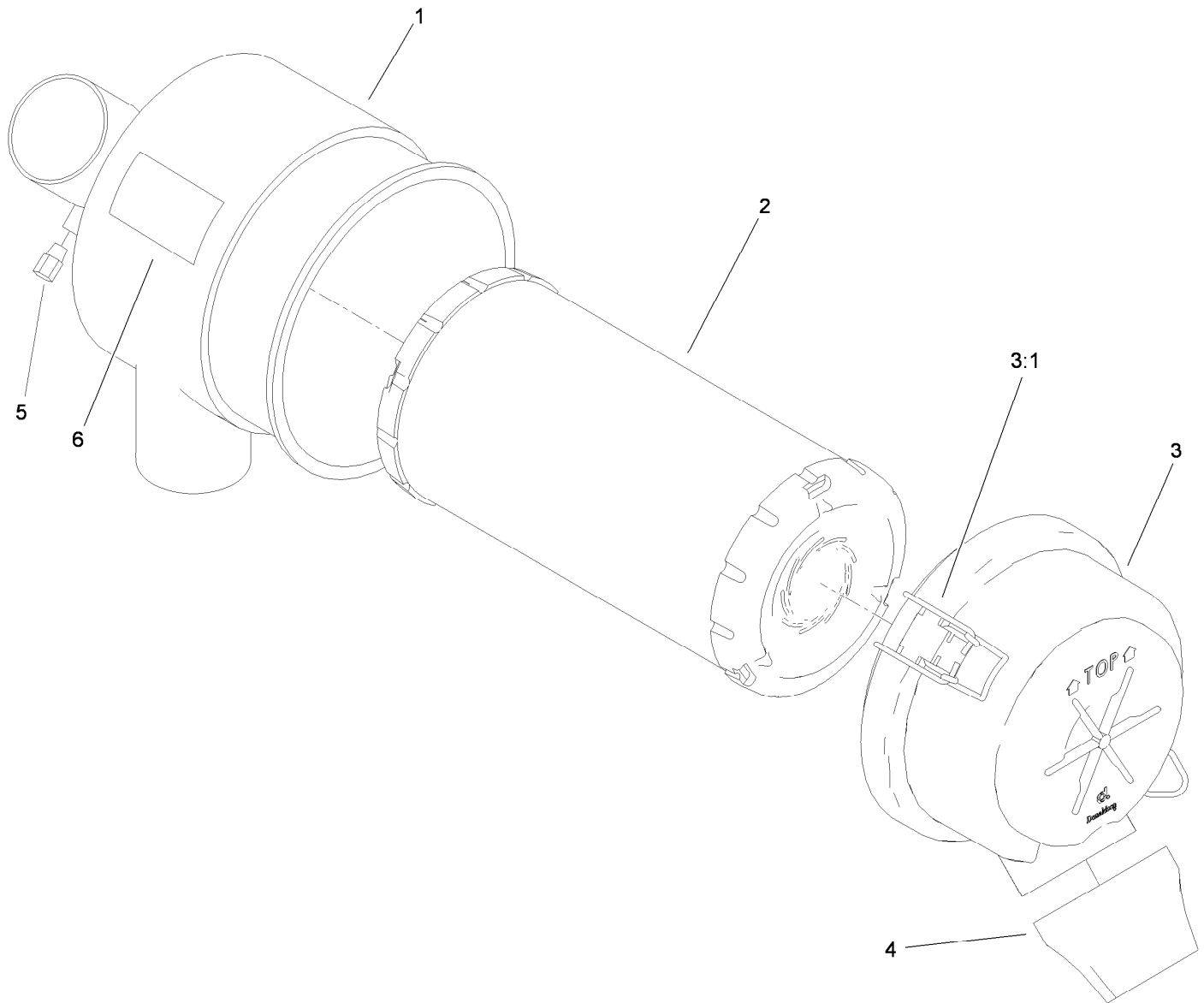
<i>Ref.</i>	<i>Part Number</i>	<i>Qty.</i>	<i>Description</i>
1	49-2040	7	Screw-HWHTF
2	119-0813	1	Pulley-Primary
5	119-0805	6	Weight-Roller (38.3Gm)
6	119-0812	1	Shim-Spider
8	119-0807	1	Shim-Limiter (.175)
10	119-0815	1	Shim-Spider



Starter Generator Assembly No. 119-9545

<i>Ref.</i>	<i>Part Number</i>	<i>Qty.</i>	<i>Description</i>	<i>Ref.</i>	<i>Part Number</i>	<i>Qty.</i>	<i>Description</i>
1	119-9651	1	Nut	10	119-9659	1	Brush Lead And Terminal Service Kit
2	119-9652	1	Washer-Lock	11	119-9660	4	Spring-Brush
4	119-9654	1	Head-Drive End	12	119-9661	1	Brush Box ASM
5	119-9655	1	Bearing	13	119-9662	1	Washer-Wave
6	119-9656	1	Ring-Retaining	14	119-9663	1	Bearing
7	119-9657	1	Key-Woodruff	15		1	Cummutator End Head ●
8	119-9658	1	Armature ASM	16	119-9664	3	Plug-Rubber
9		1	Frame And Field Assembly ●	17	119-9665	1	Plug-Rubber

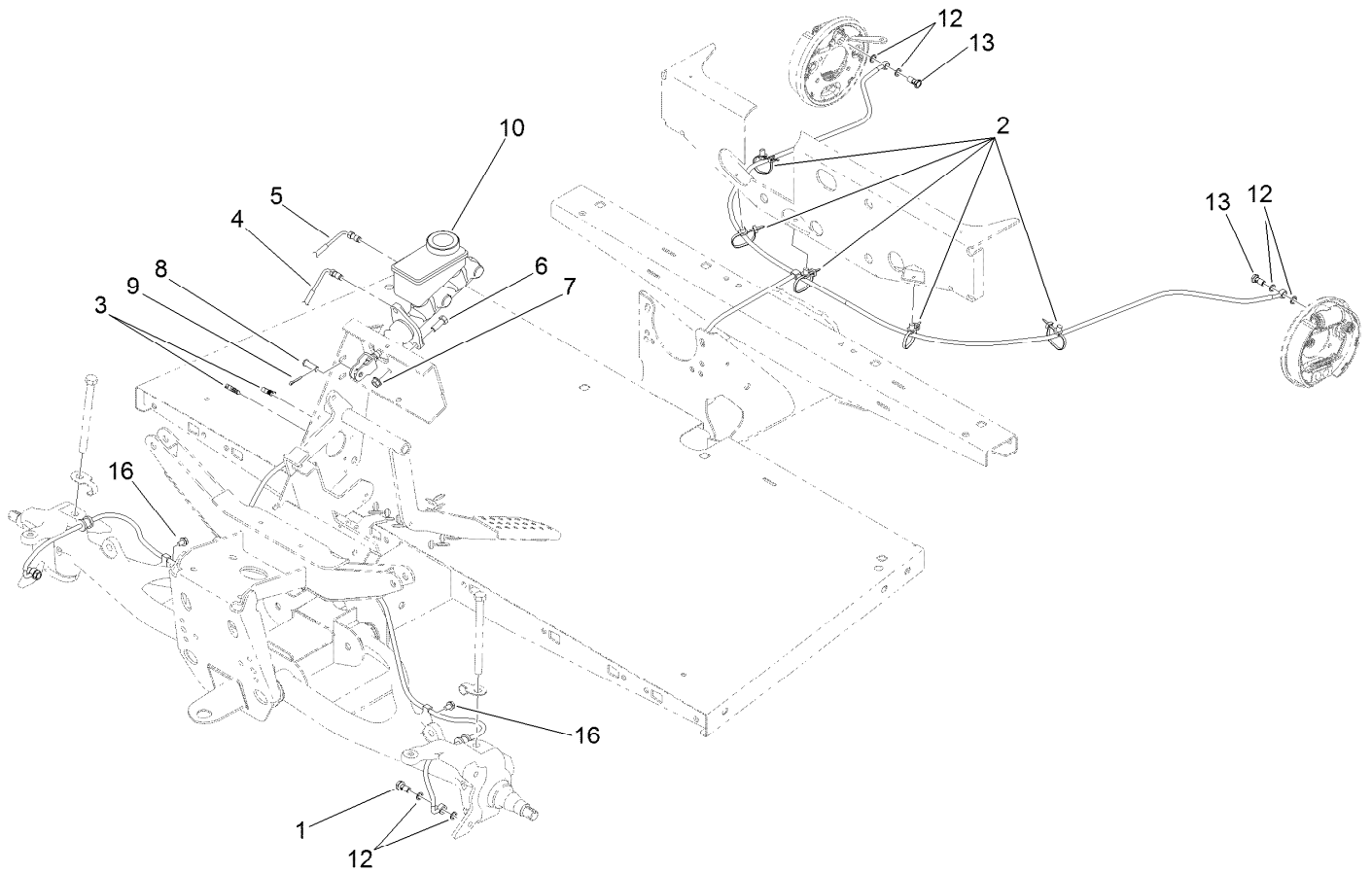
● Not serviced separately



Air Cleaner Assembly No. 99-7120

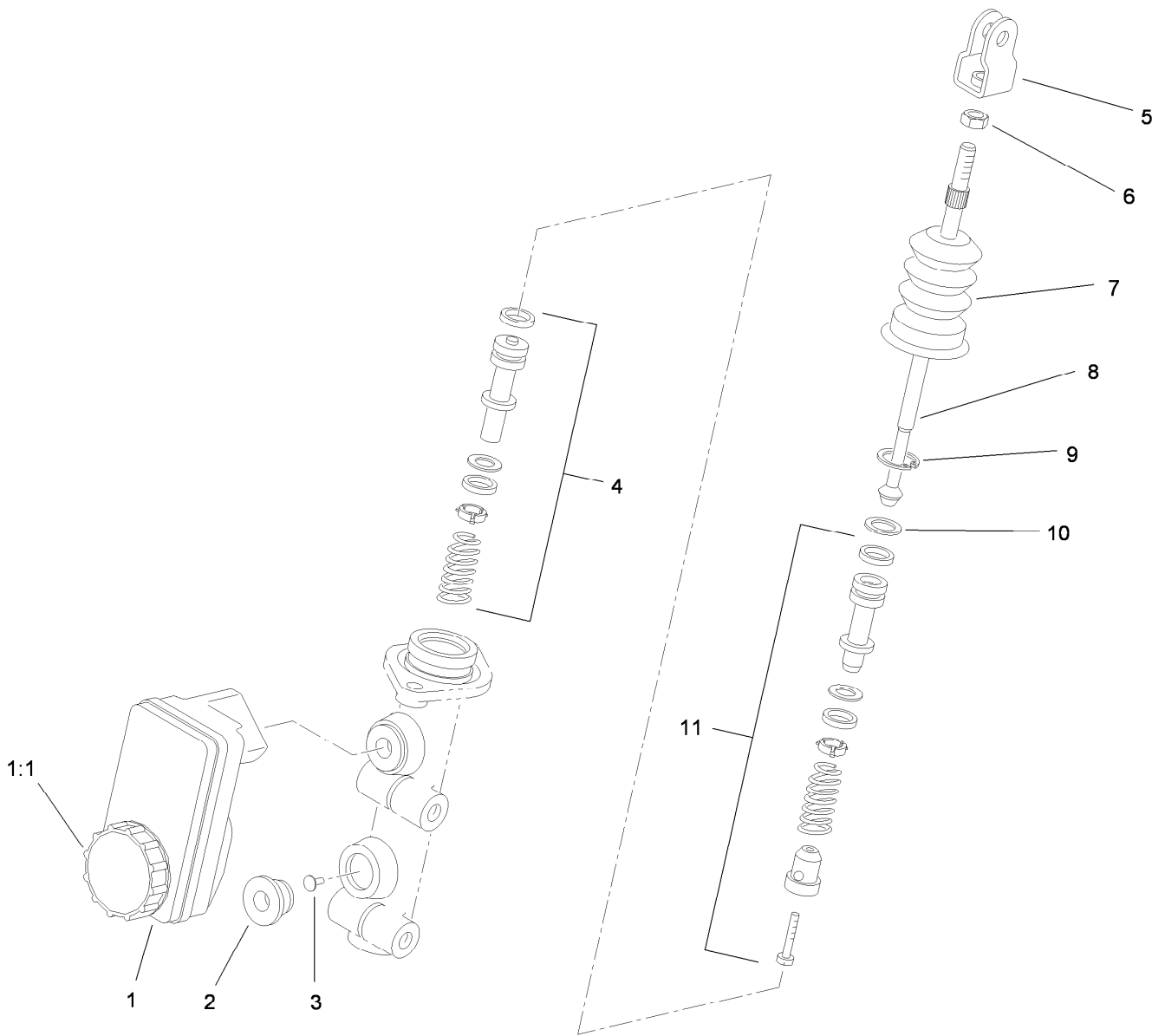
Ref.	Part Number	Qty.	Description
1		1	Body ●
2	108-3811	1	Filter-Air
3	94-3652	1	Cover ASM
3:1	1-643283	2	Latch-Cleaner, Air
4	87-9400	1	Valve-Vacuator
5		1	Plug ●
6		1	Marking ●

● Not serviced separately



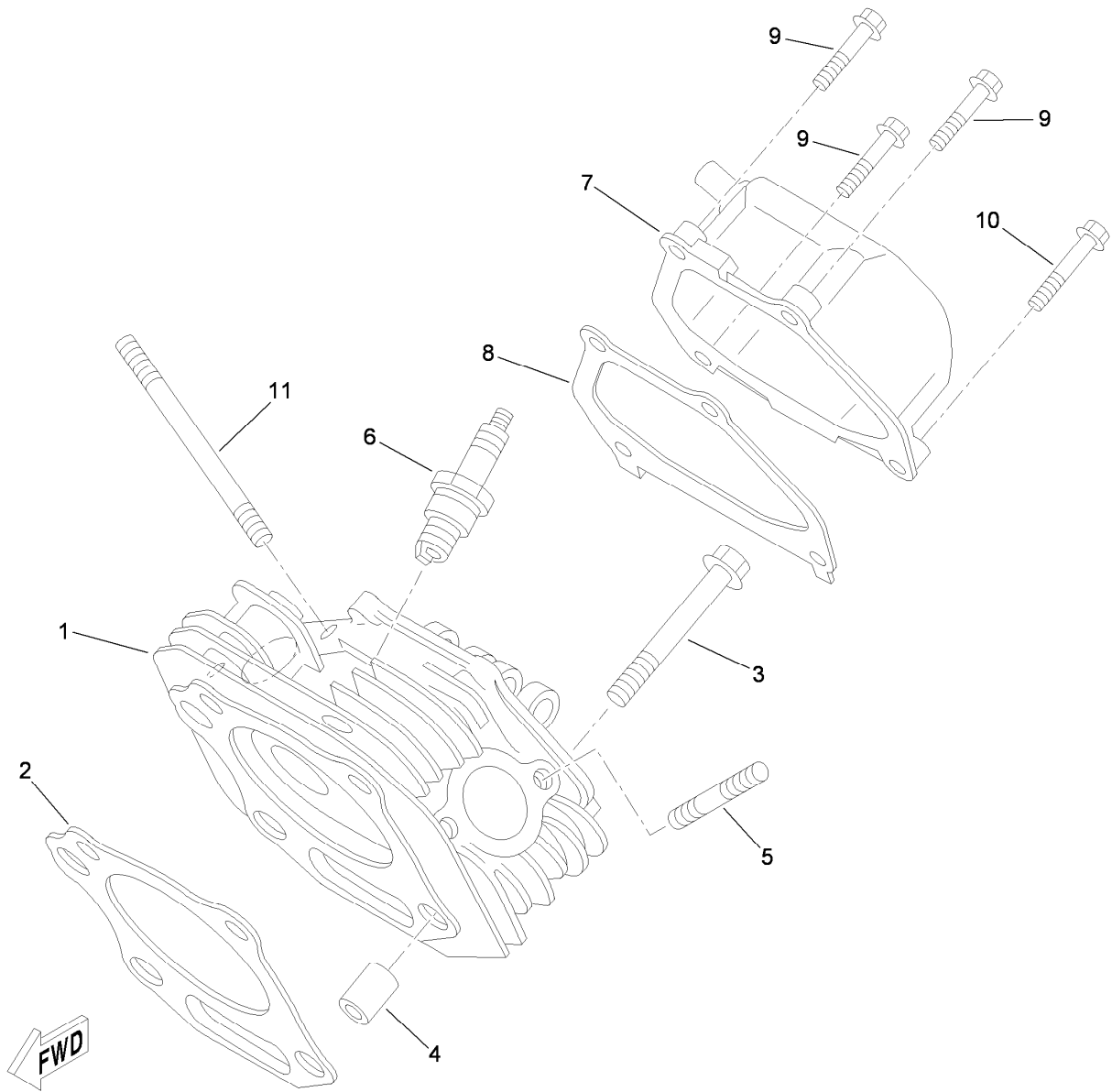
Master Cylinder and Brake Line Assembly

Ref.	Part Number	Qty.	Description
1	120-4875	2	Bolt-Flange, Banjo
2	32180-030	5	Clip-Harness
3	114-8324	4	Clip-Line, Brake
4	119-9683	1	Front Brake Line
5	112-2926	1	Rear Brake Line ASM
6	323-6	2	Screw-HH
7	3290-357	2	Nut-HHF, Whiz
8	283-2	1	Pin-Clevis
9	3272-10	1	Pin-Cotter
10	104-6782	1	Cylinder-Master
12	115-2341	8	Washer-Banjo
13	115-2340	2	Bolt-Banjo
16	32104-82	2	Screw-HHF



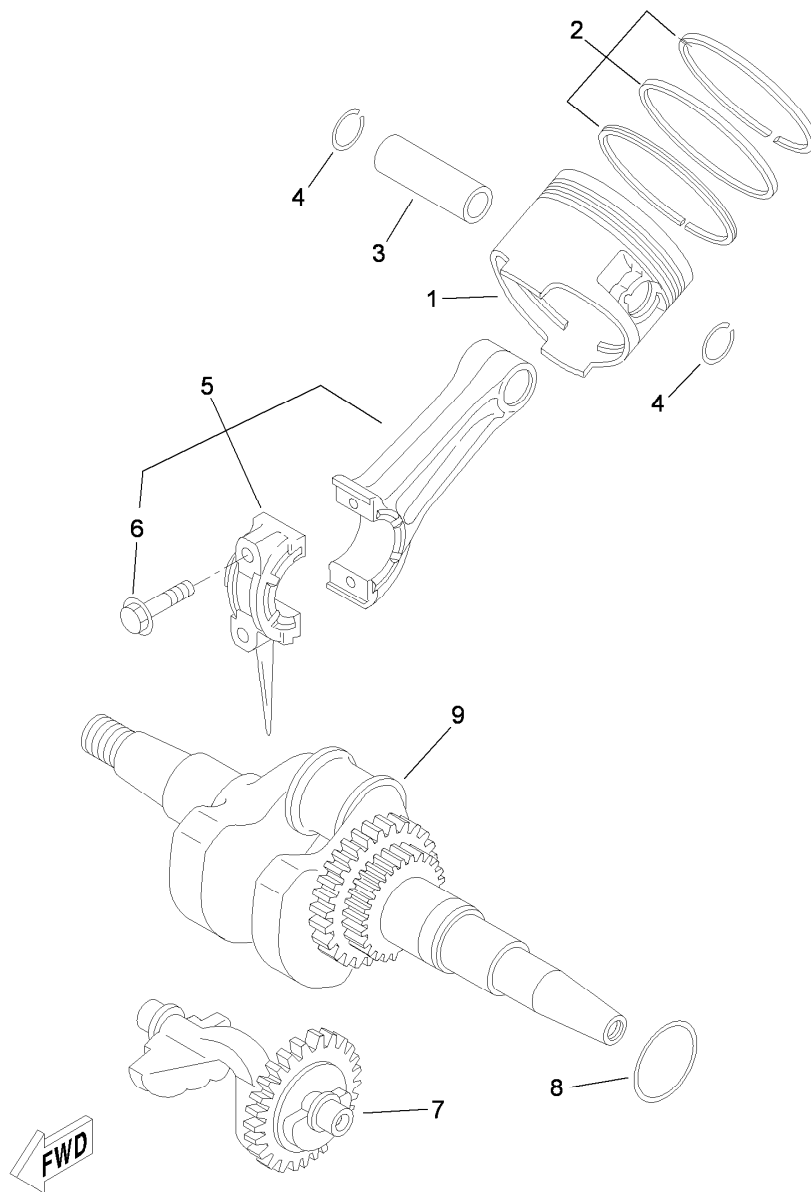
Master Cylinder Assembly No. 104-6782

Ref.	Part Number	Qty.	Description
1	104-6845	1	Reservoir ASM
1:1	92-4112	1	Cap ASM
2	93-8971	2	Seal-Port, Flange
3	92-4103	1	Pin-Stop
4	92-4102	1	Secondary Piston ASM
5	92-4110	1	Clevis
6	21-0360	1	Nut-Hex
7	94-5209	1	Cover-Dust
8	94-5210	1	Rod-Push
9	92-4109	1	Ring-Snap
10	92-4108	1	Retainer-Washer
11	92-4101	1	Primary Piston ASM



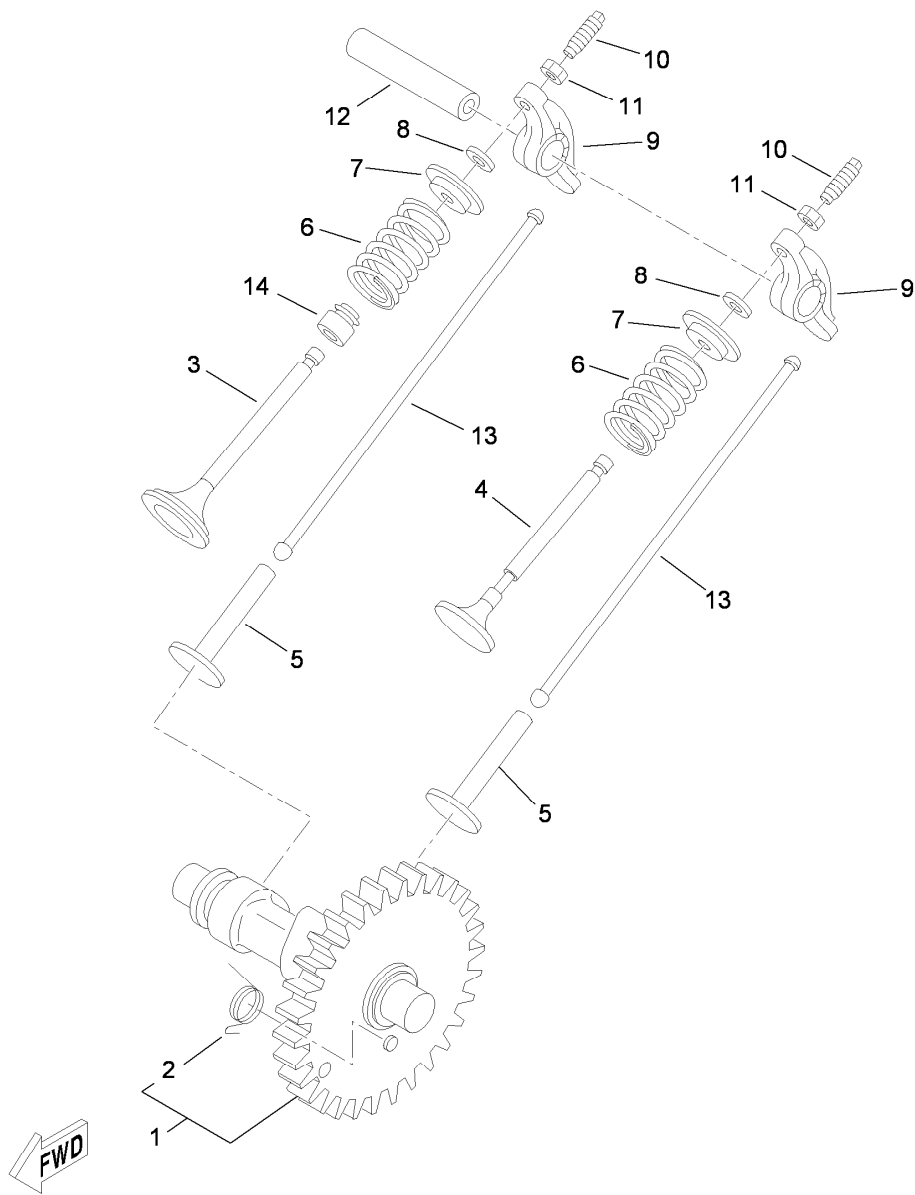
Cylinder Head Assembly

Ref.	Part Number	Qty.	Description
1	120-5600	1	Head-Cylinder
2	120-5601	1	Gasket-Head, Cylinder
3	120-5602	4	Bolt-Flange
4	120-5603	2	Pin-Dowel
5	120-5604	2	Bolt-Stud
6	120-5605	1	*obs* Sparkplug (Ngk Bpr4Es)
7	120-5606	1	Cover-Head, Cylinder
8	120-5607	1	Gasket-Cover, Head
9	120-5608	3	Bolt-Flange
10	120-5609	1	Bolt-Flange
11	120-5610	2	Bolt-Stud



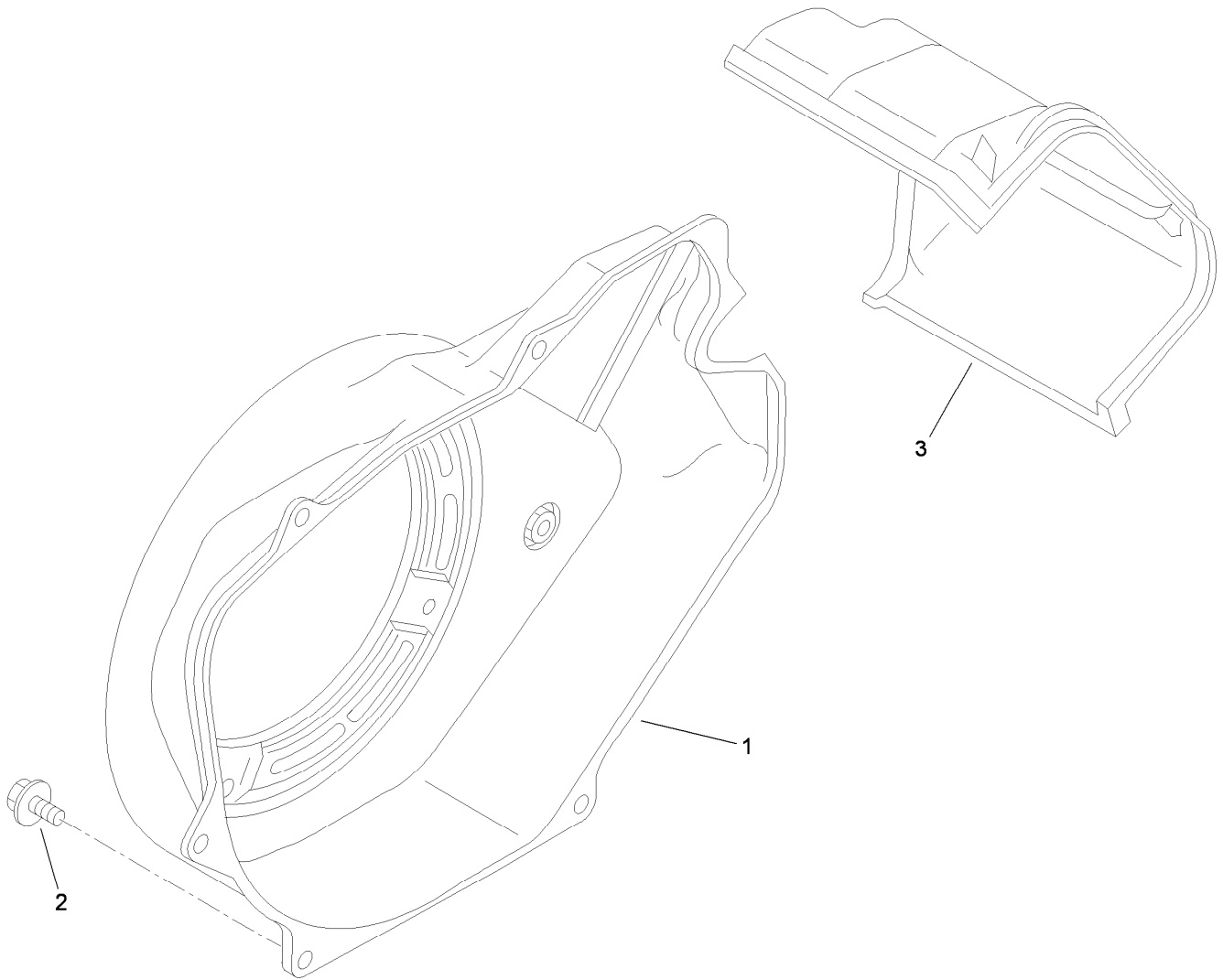
Crankshaft and Piston Assembly

<i>Ref.</i>	<i>Part Number</i>	<i>Qty.</i>	<i>Description</i>
1	120-5614	1	Piston (0.50Mm O/S)
1	120-5613	1	Piston (0.25Mm O/S)
1	120-5612	1	Piston (STD)
2	120-5615	1	Piston Ring Set (STD)
2	120-5616	1	Piston Ring Set (0.25Mm O/S)
2	120-5617	1	Piston Ring Set (0.50Mm O/S)
3	120-5618	1	Pin-Piston
4	120-5619	2	Circlip
5	120-5620	1	Connecting Rod ASM
6	120-5621	2	Bolt- Rod, Connecting
7	120-5622	1	Weight
8	120-5623	1	Shim-Crank
9	120-5611	1	Crankshaft ASM



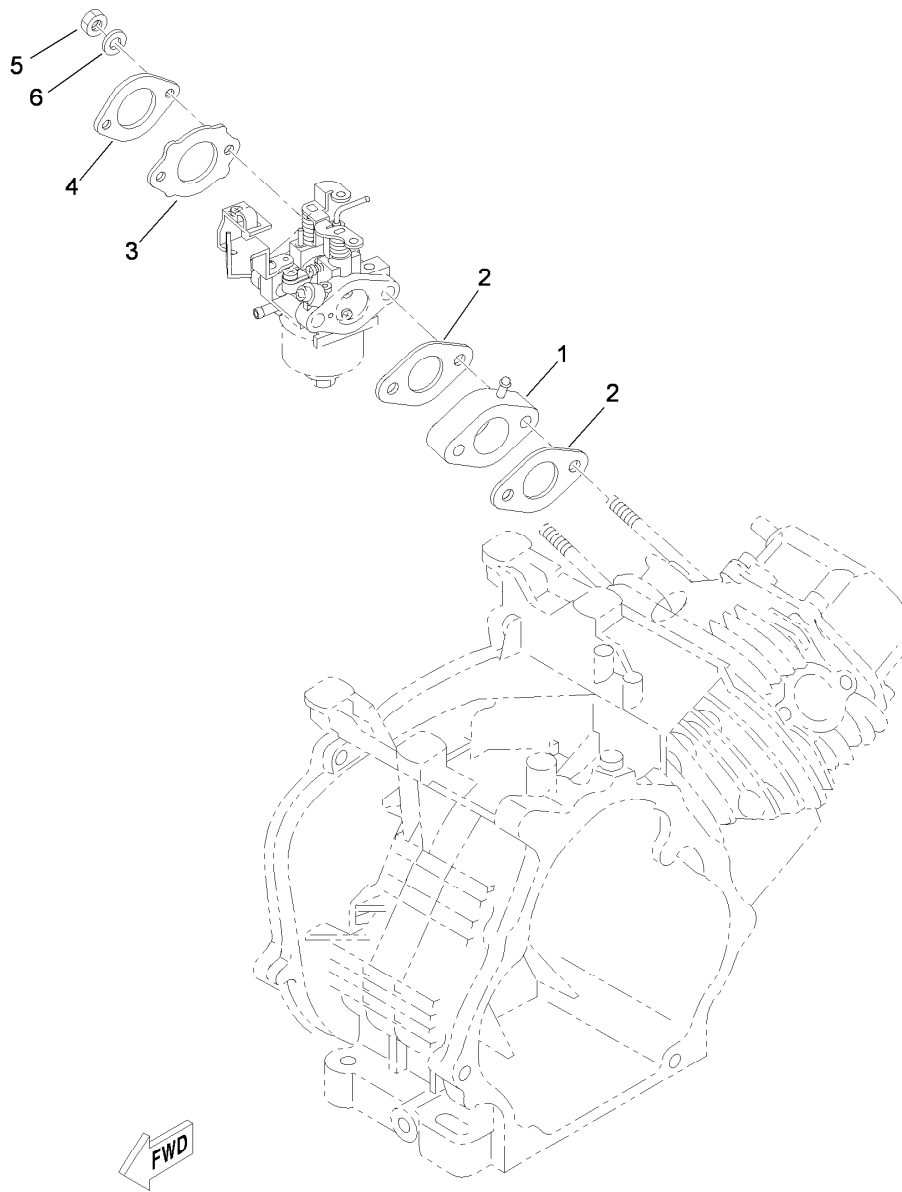
Camshaft and Valve Assembly

Ref.	Part Number	Qty.	Description
1	120-5624	1	Camshaft ASM
2	120-5625	1	Spring-Decompression
3	120-5626	1	Valve-Intake
4	120-5627	1	Valve-Exhaust
5	120-5628	2	Lifter-Valve
6	120-5629	2	Spring-Compression
7	120-5630	2	Retainer-Spring, Valve
8	120-5631	2	Cotter-Valve
9	120-5632	2	Arm-Rocker, Valve
10	120-5633	2	Screw-Adjusting, Valve
11	120-5634	2	Nut
12	120-5635	1	Shaft-Rocker
13	120-5636	2	Rod-Push, Valve
14	120-5637	1	Seal-Stem, Valve



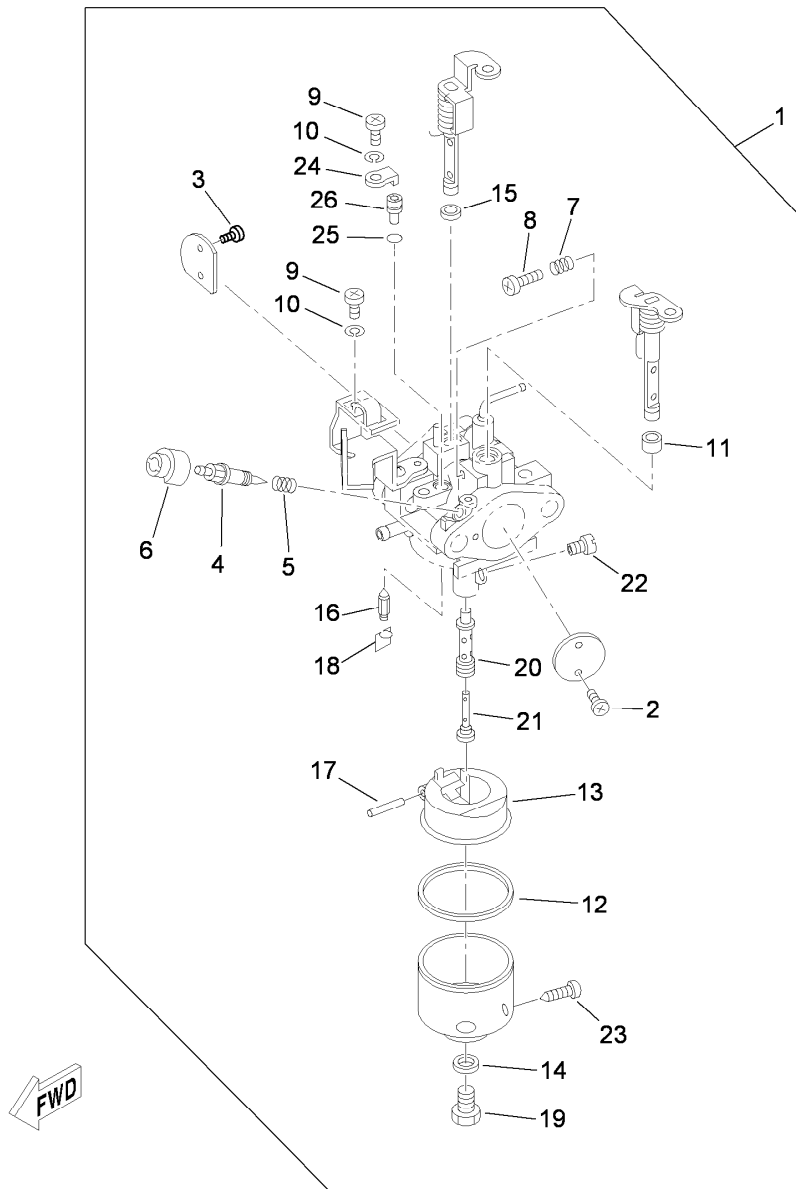
Starter Air Shroud Assembly

<i>Ref.</i>	<i>Part Number</i>	<i>Qty.</i>	<i>Description</i>
1	120-5638	1	Case-Fan
2	120-5639	5	Bolt-Flange
3	120-5640	1	Shroud-Air, Cylinder



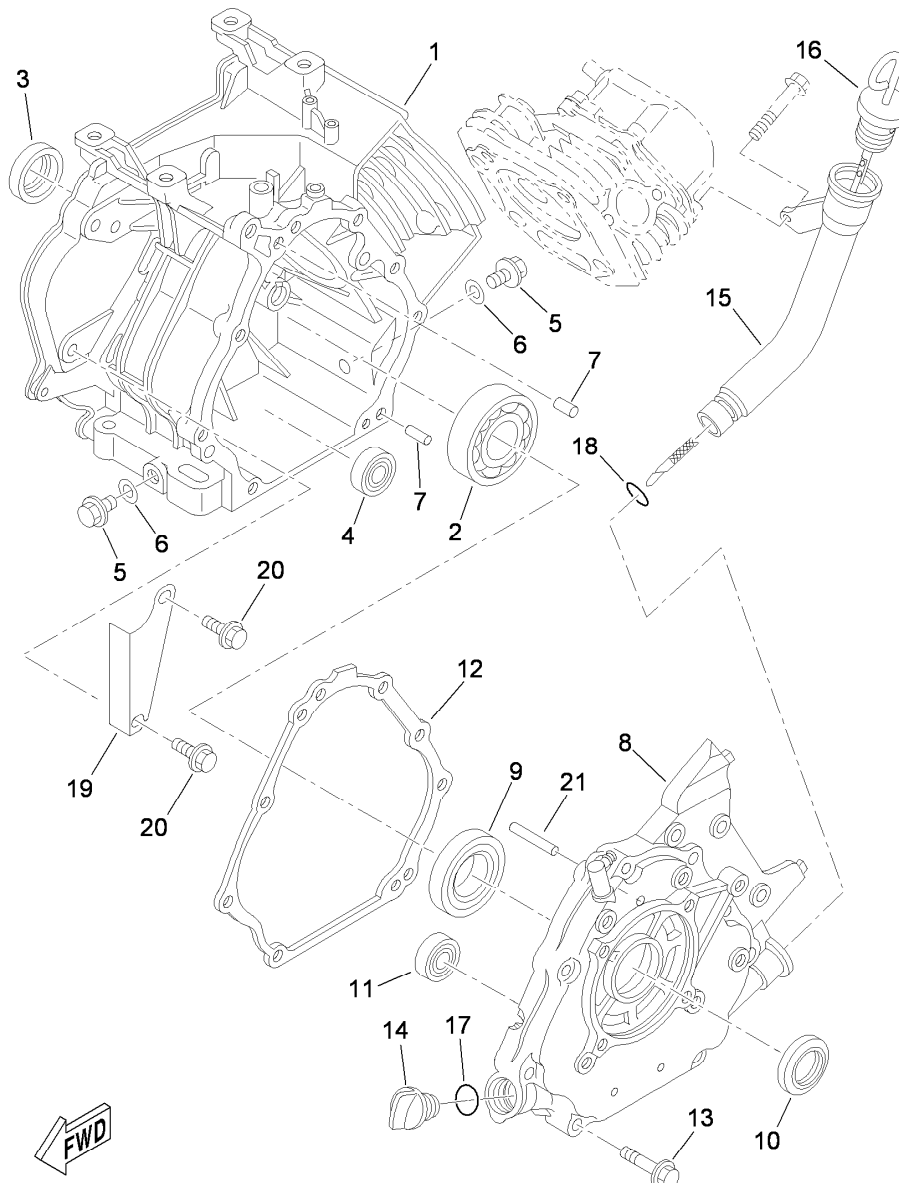
Intake Assembly

<i>Ref.</i>	<i>Part Number</i>	<i>Qty.</i>	<i>Description</i>
1	120-5641	1	Joint-Carburetor
2	120-5642	2	Gasket
3	120-5643	1	Gasket
4	120-5644	1	Plate
5	120-5645	2	Nut
6	120-5646	2	Washer-Spring



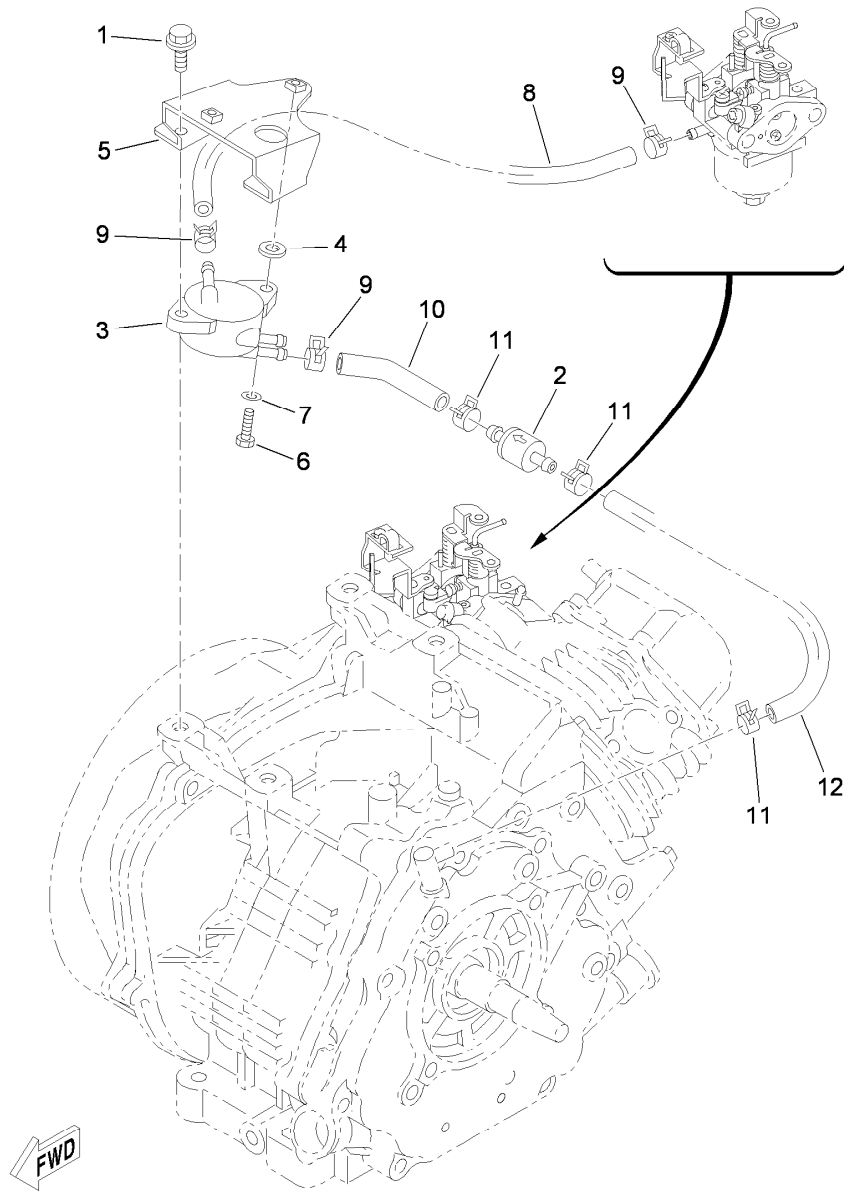
Carburetor Assembly

Ref.	Part Number	Qty.	Description	Ref.	Part Number	Qty.	Description
1	120-5647	1	Carburetor ASM	14	120-5660	1	Gasket
2	120-5648	2	Screw	15	120-5661	1	Seal
3	120-5649	2	Screw-Rod	16	120-5662	1	Needle ASM
4	120-5650	1	Screw-Adjusting, Pilot	17	120-5663	1	Pin-Float
5	120-5651	1	Spring	18	120-5664	1	Clip
6	120-5652	1	Cap	19	120-5665	1	Bolt-Holding
7	120-5653	1	Spring	20	120-5666	1	Nozzle-Main
8	120-5654	1	Screw-Throttle	21	120-5667	1	Pipe-Bleed, Main
9	120-5655	2	Screw-Pan Head	22	120-5668	1	Jet-Main (115)
10	120-5656	2	Washer-Spring	23	120-5669	1	Plug-Drain
11	120-5657	1	Washer	24	120-5670	1	Plate
12	120-5658	1	Gasket-Chamber, Float	25	120-5671	1	O-Ring
13	120-5659	1	Float	26	120-5672	1	Jet-Pilot (53.8)



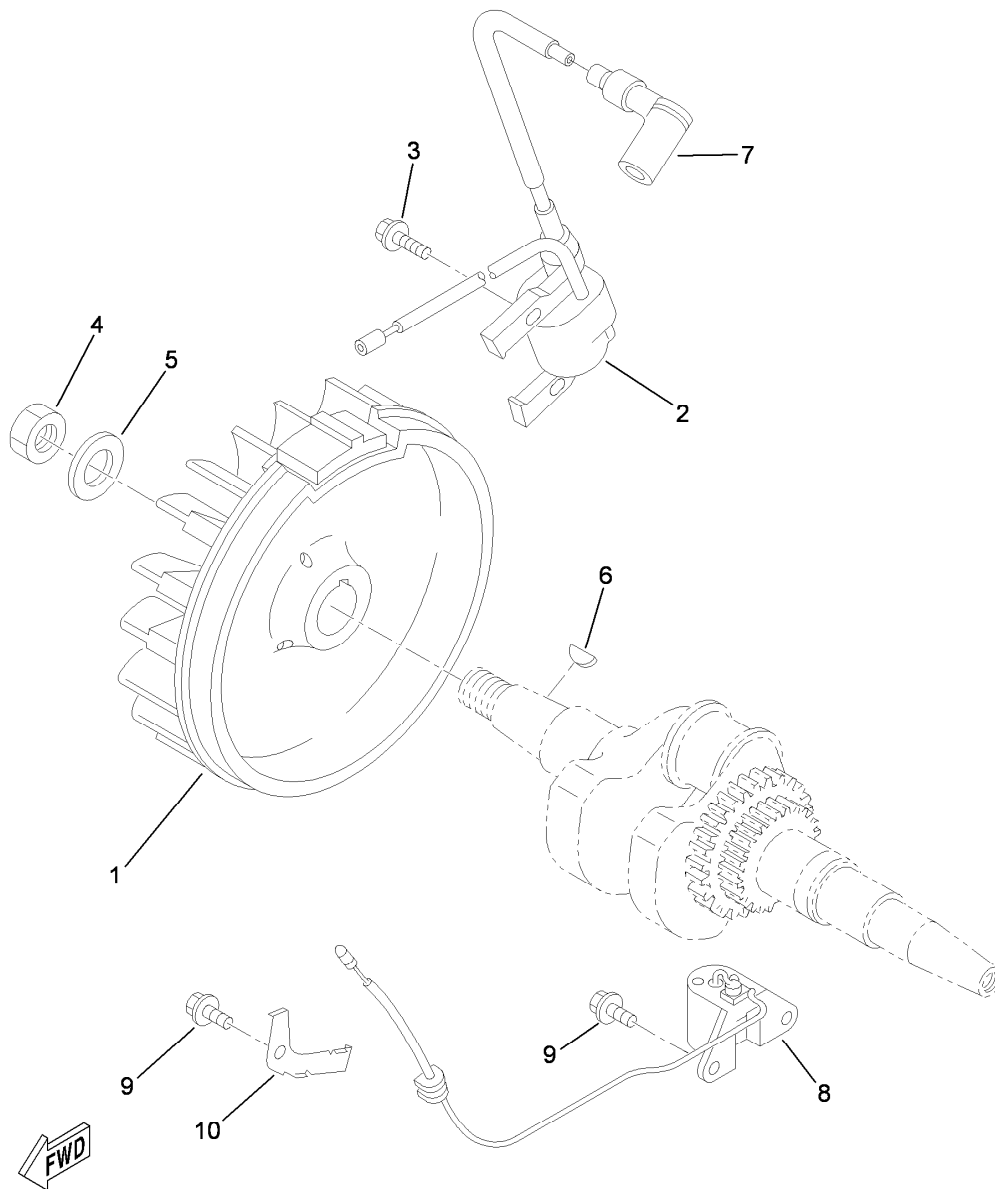
Crankcase Assembly

<i>Ref.</i>	<i>Part Number</i>	<i>Qty.</i>	<i>Description</i>	<i>Ref.</i>	<i>Part Number</i>	<i>Qty.</i>	<i>Description</i>
1	120-5673	1	Crankcase	11	120-5677	1	Shaft-Flyweight
2	120-5674	1	Bearing	12	120-5686	1	Gasket-Cover, Crankcase
3	120-5675	1	Seal-Oil	13	120-5687	6	Bolt-Flange
4	120-5676	2	Bearing	14	120-5688	1	Plug-Oil
5	120-5678	2	Plug-Screw, Straight	15	120-5689	1	Pipe-Oil
6	120-5679	2	Gasket	16	120-5690	1	Gauge-Level
7	120-5680	2	Pin-Dowel	17	120-5691	1	O-Ring
8	120-5681	1	Cover-Crankcase	18	120-5692	1	O-Ring
9	120-5682	1	Bearing	19	120-5693	1	Plate-Baffle
10	120-5675	1	Seal-Oil	20	120-5694	2	Bolt-Flange
11	120-5676	1	Bearing	21	120-5677	1	Shaft-Flyweight



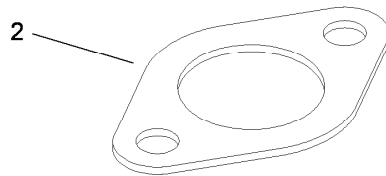
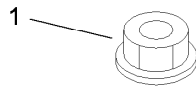
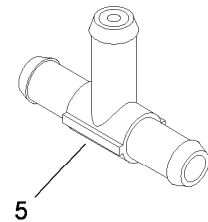
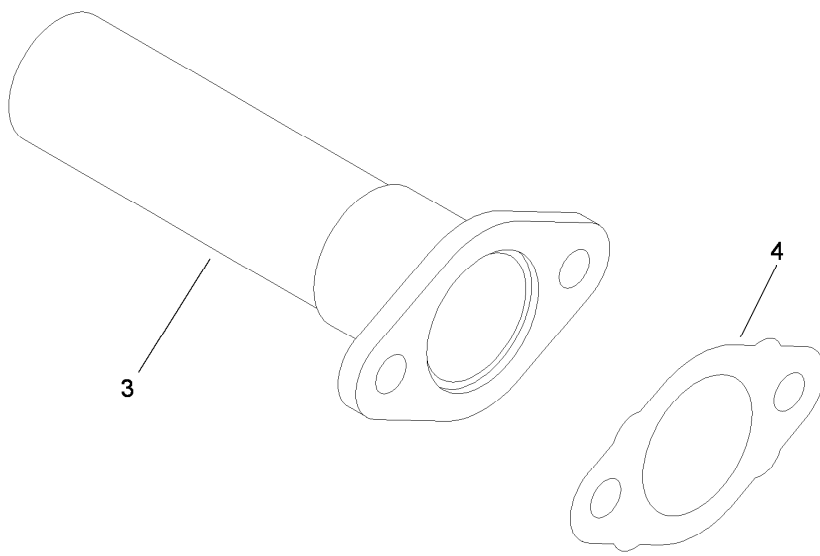
Fuel Pump Assembly

Ref.	Part Number	Qty.	Description
1	120-5695	2	Bolt-Flange
2	120-5696	1	Filter ASM
3	120-5697	1	Fuel Pump ASM
4	120-5698	2	Gasket
5	120-5699	1	Bracket-Pump, Fuel
6	120-5700	2	Bolt
7	120-5701	2	Washer-Plate
8	120-5702	1	Pipe-Fuel
9	120-5703	3	Clip
10	120-5704	1	Pipe-Breather
11	120-5705	3	Clip
12	120-5706	1	Hose



Magneto Assembly

Ref.	Part Number	Qty.	Description
1	120-5707	1	Rotor ASM
2	120-5708	1	T.C.I. Unit ASM
3	120-5709	2	Bolt-Flange
4	120-5710	1	Nut
5	120-5711	1	Washer-Plate
6	120-5712	1	Key-Woodruff
7	120-5713	1	Plug Cap ASM
8	120-5714	1	Oil Level Gauge ASM
9	120-5715	3	Bolt-Flange
10	120-5716	1	Clamp



Engine Gaskets and Fittings

<i>Ref.</i>	<i>Part Number</i>	<i>Qty.</i>	<i>Description</i>
1	119-9540	2	Nut-Hex, M8 (F/W)
2	119-9541	2	Gasket-Exhaust (F/W)
3	119-9542	1	Tube-Intake (F/W)
4	119-9543	1	Gasket-Intake (F/W)
5	119-9544	1	Tee-Emission, Evaporative (F/W)

Attachments and Accessories

For 07266TC Workman MD Utility Vehicle

Product Name	Model/Part
Roll-Over Protection System	07276
Receiver Hitch Kit	07278
Canopy Kit	07324
Solid Windshield Kit	07325
Folding Windshield Kit	07326
Snow Plow	07327
Hard Cab	07328
Heavy-Duty Bumper Kit	07329
Heavy-Duty Brush Guard and Bumper Kit	07338
Sliding Window Door Kit	07352
Fixed Window Door Kit	07353
Electric Bed Lift Kit, 2011 and After Workman MD/MDX Utility Vehicle	07381
Wheel-5 Bolt	104-6889
Tire-AT 489, 24x10.5-10	104-7061
Tire-AT 489, 22x9.5-10	104-7062
Lift Wire Harness Kit	115-7823
Backup Alarm Kit	115-7824
Replacement Front Spring Kit.....	117-4847
Tire And Wheel Asm	119-0751
Side Mirror Kit.....	119-9546
Lanyard Kit, 2011 and After Workman MD Series Utility Vehicle.....	119-9590
Brake and Signal Light Kit, 2011 and After Workman MD Series Utility Vehicle.....	119-9603
Stake Pocket Adapter Kit, 2011 and After Workman MD Series Utility Vehicle.....	119-9604
Tie-Down Kit, 2011 and After Workman MD Series Utility Vehicle	119-9605
Bed Retrofit Kit, 2010 and Before Workman MD Series Utility Vehicle.....	119-9606
Battery Kit, Workman MD/MDX Utility Vehicle.....	119-9680
Spark Arrestor Screen	94-8157

Notes:



Count on it.