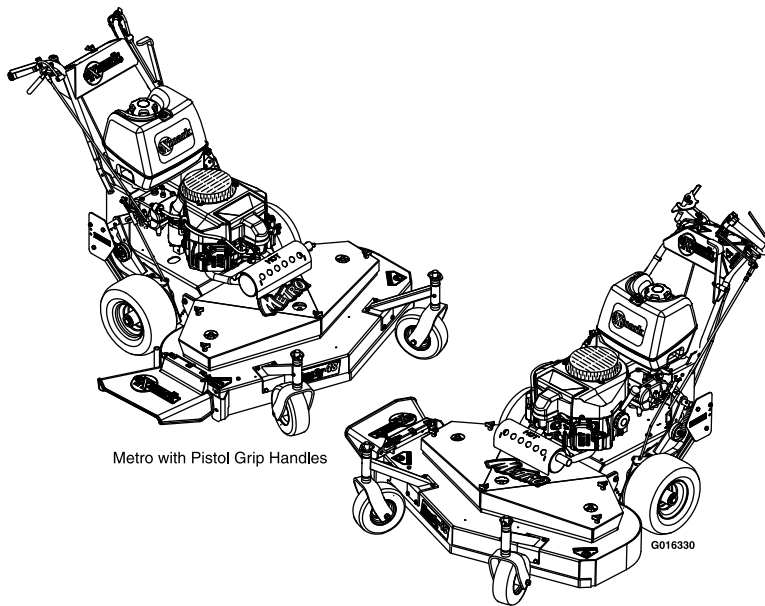




# METRO®

Model No. MG16KA483—Serial No. 92000 and Up

Picture below may not reflect actual product.



Metro with Pistol Grip Handles

Metro with ECS Handles

# Parts Manual

# Ordering Replacement Parts

To order replacement parts, please supply the part number, the quantity, and the description of each part desired.

## Understanding Reference Numbers

Each identified part in an illustration has a reference number. The reference number for a part also appears in the parts list, along with other information about the part.

This catalog uses two special reference number formats, one to indicate parts in a service assembly and another to indicate the quantity of a given part in an illustration.

## Service Assembly Reference Numbers

Parts in service assemblies have reference numbers in the form a:b. The a represents the reference number of the entire service assembly and the b represents a sequential number unique to each part within the service assembly.

For example, a wheel assembly might be identified by reference number 6, the tire by 6:1, the valve by 6:2, and the wheel by 6:3. When you order the assembly identified by reference number 6, you receive all parts identified by reference numbers 6:1, 6:2, and 6:3. However, you may also order any part individually. Reference numbers of this type appear in illustration and in parts lists.

## Reference Numbers Indicating Quantity

In an illustration, if a reference number indicates more than one part, the reference number has the form nX y. The n represents the quantity of the part, the X is the multiplication symbol, and the y represents the reference number.

For example, in an illustration, the reference number 2X 37 means that two of the parts identified by reference number 37 are indicated.

# List of Abbreviations

<b>AR:</b> as required	<b>HOC:</b> height-of-cut	<b>RRB:</b> rear roller brush
<b>ASM:</b> assembly	<b>HSBH:</b> hex socket button head	<b>SFH:</b> slotted fillister head
<b>BBC:</b> blade brake control	<b>HSFH:</b> hex socket flat head	<b>SHH:</b> slotted hex head
<b>BHTF:</b> button head thread forming	<b>HSH:</b> hex socket head	<b>SHWH:</b> slotted hex washer head
<b>CARR:</b> carriage	<b>HWH:</b> hex washer head	<b>SPH:</b> slotted pan head
<b>CCW:</b> counter clockwise	<b>HWTF:</b> hex washer head thread forming	<b>SQH:</b> square head
<b>CW:</b> clockwise	<b>HYD:</b> hydraulic	<b>SRH:</b> slotted round head
<b>DEG:</b> degrees	<b>LH:</b> left hand	<b>STD:</b> standard
<b>DPA:</b> Dual Point Adjustment	<b>LP:</b> Liquid Propane	<b>TAP:</b> self tapping
<b>ECM:</b> electronic control module	<b>NI:</b> nylon insert	<b>TTH:</b> torx truss head
<b>EXT:</b> external	<b>NPTF:</b> national pipe thread fine	
<b>FH:</b> flat head	<b>PFH:</b> phillips flat head	
<b>GA:</b> gauge	<b>PPH:</b> phillips pan head	
<b>HD:</b> heavy-duty	<b>PPHTF:</b> phillips pan head thread forming	
<b>HF:</b> hex flange	<b>PRH:</b> phillips round head	
<b>HH:</b> hex head	<b>PTH:</b> phillips truss head	
<b>HHF:</b> hex head flange	<b>PTO:</b> power-take-off	
<b>HHFTF:</b> hex head flange thread forming	<b>RH:</b> right hand	
<b>HJ:</b> hex jam	<b>ROPS:</b> roll-over protection system	
<b>HLH:</b> hex lag head		

# Touch Up Paint

Exmark black touch up spray paint – gloss black.

Exmark red touch up paint (spray paint – P/N 1-850337 - .6 oz liquid bottle – P/N 103-9140).

**EXMARK PARTS PLUS**

***PARTS***

**OVERNIGHT**

**OR *FREE*\***

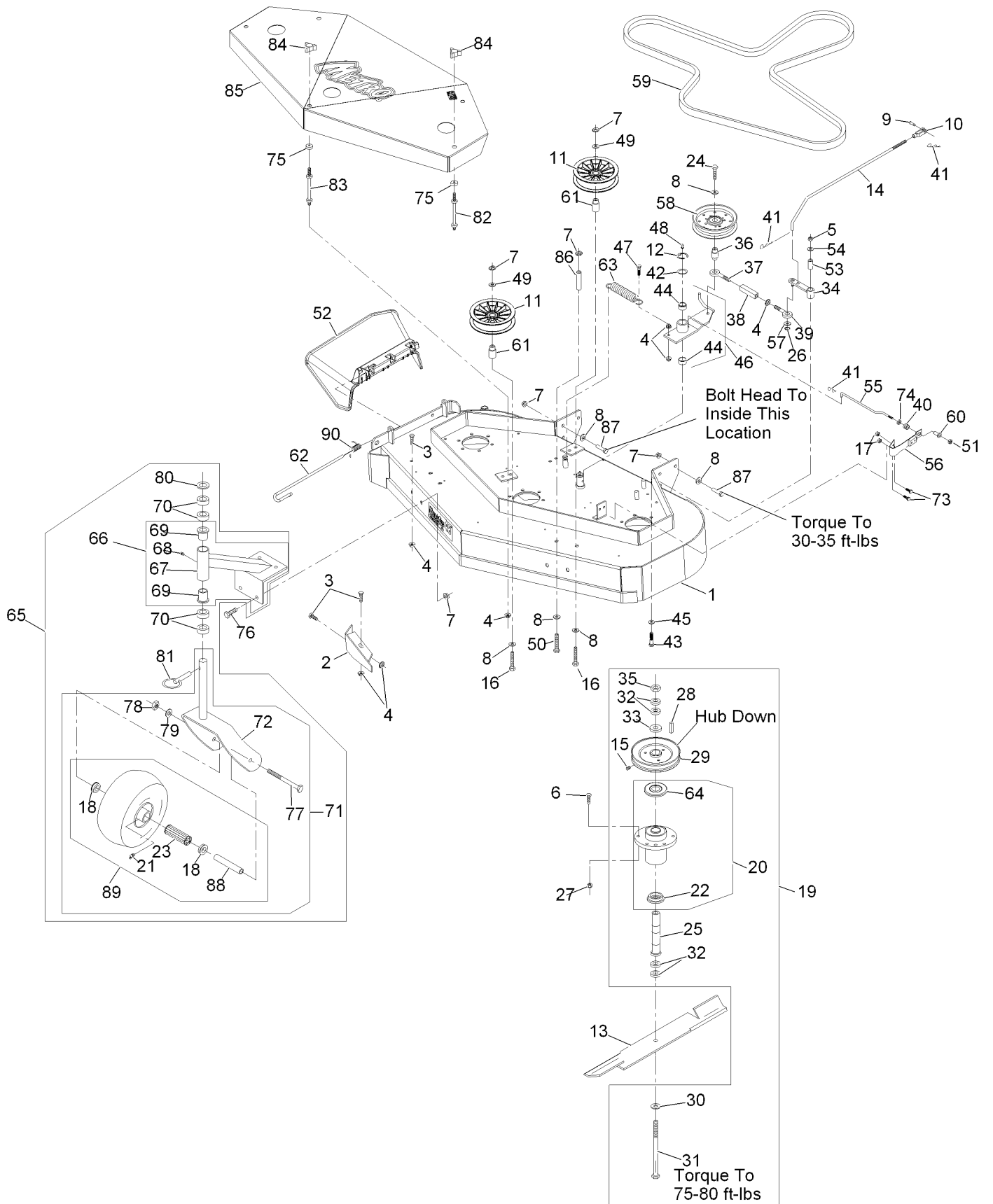
If your Exmark dealer does not have the Exmark part in stock, Exmark will get the parts to the dealer the next business day or the part will be FREE Guaranteed!! (Some restrictions apply. See your participating Exmark Dealer for details.)

# Contents

- Mower Deck Assembly ..... 6
- Engine Deck Assembly ..... 8
- Engine Deck Assembly (cont.) ..... 10
- ECS Upper Handle and Controls ..... 12
- Fuel Tank Assembly ..... 14
- Decals ..... 15



# Mower Deck Assembly



## Mower Deck Assembly (continued)

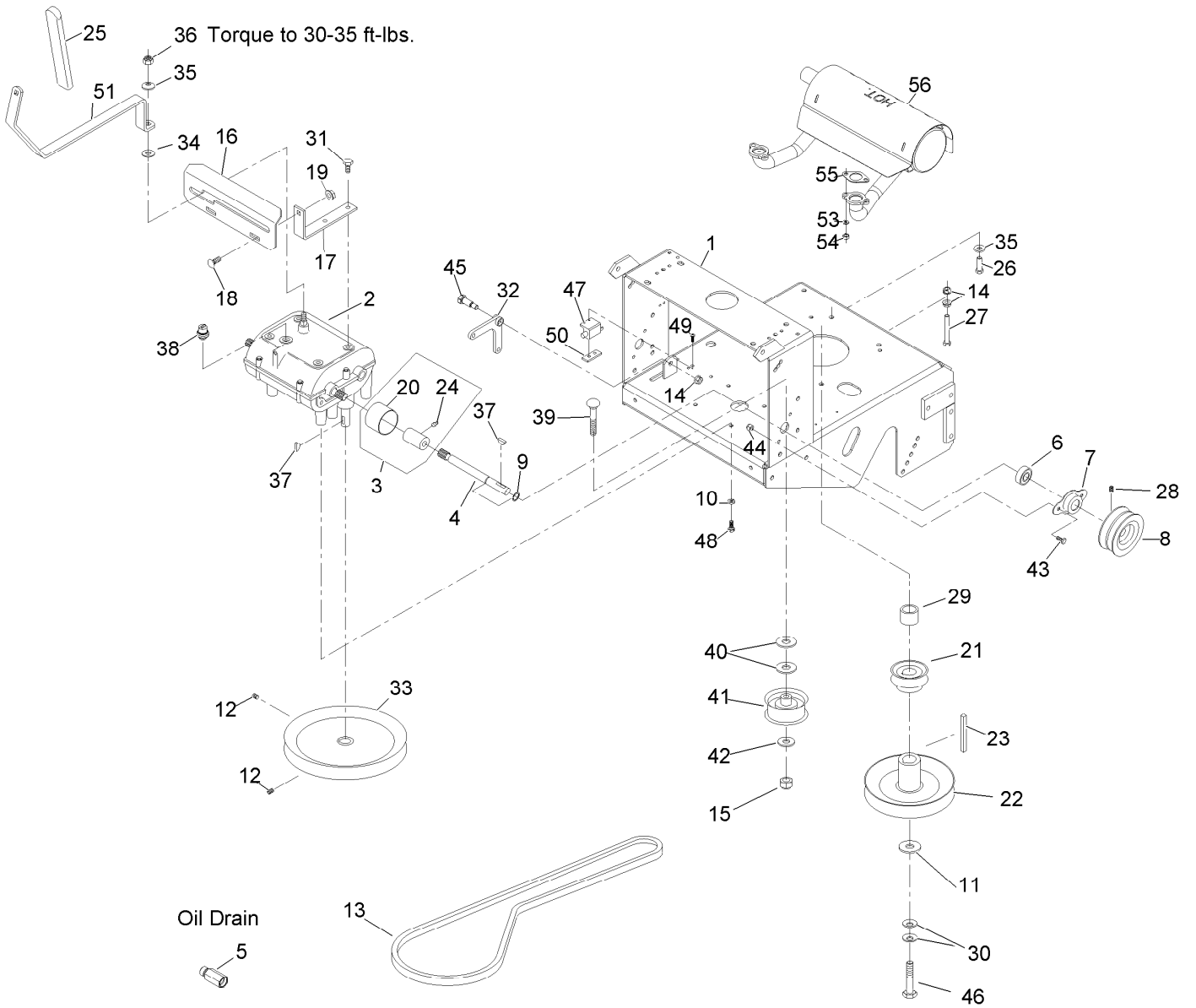
<i>Ref.</i>	<i>Part Number</i>	<i>Qty.</i>	<i>Description</i>	<i>Ref.</i>	<i>Part Number</i>	<i>Qty.</i>	<i>Description</i>
1	109-2601	1	Deck (116-0617-01)W/Decals Dogleg & Discharge Deflector	45	1-303334	1	Washer-Spring Disc 5/16
2	1-402107-01	1	Baffle-Dogleg	46	103-3600	1	Idler Arm ASM
3	322-2	3	Screw-HH 5/16-18 X 5/8	47	116-3515	1	Screw,HH Special 5/16-18 X 1.25
4	32128-20	11	Nut-Whizlock 5/16-18	48	302-19	1	Zerk-1/4-28 Str
5	3296-29	1	Nut-Nyloc 5/16-18	49	3256-24	2	Washer-3/8 Sae
6	323-7	18	Screw-HH 3/8-16 X 1 1/4	50	323-20	1	Screw-HH 3/8-16 X 3-1/4
7	3290-357	19	Nut-Whizlock 3/8-16	51	3296-56	1	Nut-Nyloc 1/4-20 Thin
8	98-5975	12	Washer-Spring Disc 3/8	52	109-5151	1	Deflector-Discharge
9	1-808280	1	Pin-Clevis 5/16 X 1 49/64	53	1-403179	1	Tube-Pivot
10	1-303105	1	Yoke-Adjustable	54	3256-3	1	Washer-5/16 Std
11	109-0977	2	Pulley,Idler 5"	55	1-323714	1	Rod-Brake
12	32151-103	1	E-Ring	56	1-324372	1	Pad And Spring ASM
13	103-6583	3	Blade, Notched	57	3256-23	1	Washer-5/16 Sae
13	103-6581	3	Blade, Mulching ■	58	116-3626	1	Pulley-Idler
13	103-6738	3	Blade, Low Lift	59	1-403174	1	Belt, Drive (Main Deck)
13	103-1577	3	Blade, Solid	60	1-323746	1	Spacer-Flanged
13	103-6336	3	Blade, Extreme	61	1-413113	2	Bushing-Idler
14	1-323303	1	Linkage-Arm	62	109-8854	1	Pin-Chute
15	3246-18	3	Setscrew-5/16-18 X 3/8 ●	63	1-323071	1	Spring-Extension
16	323-13	2	Screw-HH 3/8-16 X 2 3/4	64	103-1330	3	Guard-Bearing Top ▲
17	3296-42	2	Nut-Nyloc 1/4-20	65	103-1238	2	Asm , Caster/Mount Complete
18	1-513810	4	Bushing-Flanged	66	1-302203	2	Support ASM
19	103-8387	3	Asm, Cutter Housing Complete	67	1-302194-01	2	Support-Caster
20	103-8280	3	Kit, Cutter Housing ▲	68	302-52	2	Zerk-1/8-27 Str
21	302-61	2	Zerk-45° 1/4-28	69	1-303514	4	Bearing-Flanged
22	103-2535	3	Spacer-Guard Bottom	70	1-303314	8	Spacer-Caster
23	1-513809	2	Bearing	71	103-1236	2	Asm, Caster Wheel Assembly
24	702809	1	Screw-HH	72	1-322145-01	2	Fork
25	1-323529	3	Tube-Spindle, Short ▲	73	321-4	2	Screw-HH 1/4-20 X 3/4
26	32120-35	1	E-Ring	74	1-323748	1	Ring-Push On
27	3296-39	18	Nut-Nyloc 3/8-16	75	1-323417	5	Washer-Belt Shield
28	1-807267	3	Key-Machine 1/4 X 3/16 X 1 1/4	76	323-4	8	Screw-HH 3/8-16 X 3/4
29	1-403183	3	Sheave ▲	77	325-20	2	Screw-HH 1/2-13 X 6
30	1-513208	3	Washer-Spring Disc 5/8	78	3217-9	2	Nut-Hex 1/2-13
31	1-800861	3	Screw-Cap, HH	79	3253-7	2	Washer-Lock 1/2
32	1-323539	12	Spacer-Blade Drive	80	1-513338	2	Washer
33	1-323339	3	Washer	81	1-809020	2	Pin
34	1-322235	1	Arm-Assist	82	1-303537	2	Stud-Shield, Belt (Short)
35	3219-6	3	Nut-Hex 5/8-18	83	1-303536	3	Stud-Shield, Belt (Long)
36	1-303434	1	Bushing-Engagement	84	1-323385	5	Knob-3 Prong
37	1-303348	1	Eyebolt-Thread, LH	85	116-2707	1	Shield (1-402100-01)W/Decals 48?
38	1-303236	1	Body-Turnbuckle	86	1-403188	1	Spacer
39	1-303238	1	Eyebolt-Thread, RH	87	323-8	8	Screw-HH 3/8-16 X 1 1/2
40	1-323747	1	Spring-Compression	88	1-513547	2	Spacer
41	1-806003	3	Hairpin-Cotter	89	103-2171	2	Kit, Tire & Wheel Asm W/ Spacer
42	1-303352	1	Washer-Spindle	90	116-0962	1	Spring, Torsion
43	322-10	1	Screw-HH 5/16-18 X 2				
44	1-323729	2	Sleeve-Bearing				

● Use Pro-Lock, Nut Type (P/N 1-840022, .5ml tube) on threads.

■ Requires installation of mulch kit for proper mulching. See your Exmark dealer for details.

▲ Apply Mobil HTS grease (P/N 103-5217 1.5 oz packet) (or a food-grade anti-seize). See operator s manual for locations.

# Engine Deck Assembly





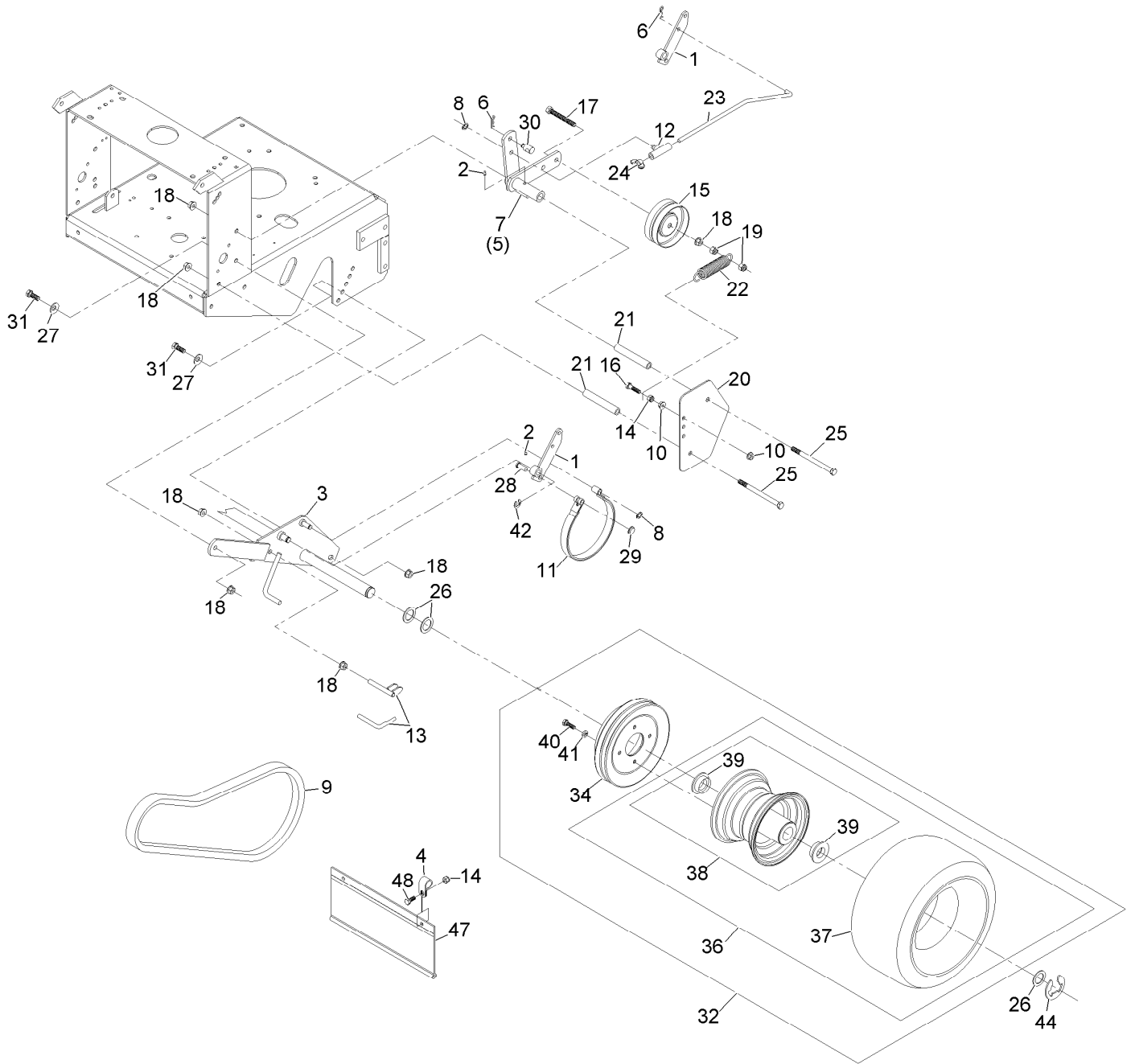
## Engine Deck Assembly (continued)

<i>Ref.</i>	<i>Part Number</i>	<i>Qty.</i>	<i>Description</i>	<i>Ref.</i>	<i>Part Number</i>	<i>Qty.</i>	<i>Description</i>
1	103-3499	1	Rear Deck (117-3521-01) W/Decals	27	323-13	1	Screw-HH 3/8-16 X 2 3/4
2	1-323500	1	Transmission	28	3246-18	2	Setscrew-5/16-18 X 3/8 ■
3	1-324340	2	Asm, Coupling, W/Guard And Zerk	29	1-633453	1	Spacer-Clutch
4	1-323502	2	Shaft-Transmission	30	1-603610	2	Washer-Spring Disc 7/16
5	103-2587	1	Adapter	31	9264964	4	Bolt-HWH 5/16-18 X 3/4 Tap
6	1-323252	2	Bearing-Shaft ●	32	1-303186	1	Bellcrank
7	1-323254	2	Flange-Output	33	1-323278	1	Sheave-Transmission ●
8	103-6511	2	Sheave-Transmission ●	34	1-323379	1	Washer
9	32151-62	2	Ring-Retaining	35	98-5975	5	Washer-Spring Disc 3/8
10	1-805005	4	Washer-Lock 5/16 Heavy	36	3296-6	1	Nut-Nyloc 3/8-24
11	1-373034	1	Washer	37	3257-5	3	Key-Woodruff #9 3/4 X 3/16
12	3245-41	2	Setscrew-1/4-20 X 3/8 ■	38	1-303282	1	Switch-Start, Neutral
13	1-323280	1	Belt, Transmission	39	3231-6	1	Bolt-Carriage 3/8-16 X 2
14	3290-357	3	Nut-Whizlock 3/8-16	40	3256-5	2	Washer-7/16 Std
15	3296-39	1	Nut-Nyloc 3/8-16	41	1-323285	1	Pulley-Idler, Flat
16	103-3498	1	Shifter Plate (1-323387-03) W/Decals	42	3256-24	1	Washer-3/8 Sae
17	1-323389-03	2	Bracket-Plate, Shift	43	321-3	4	Screw-HH 1/4-20 X 5/8
18	3230-1	2	Bolt-Carriage 5/16-18 X 3/4	44	3296-42	4	Nut-Nyloc 1/4-20
19	32128-20	2	Nut-Whizlock 5/16-18	45	1-603403	1	Bolt-Shoulder
20	51-4220	2	Guard-Coupler	46	116-3702	1	Screw-HH ■
21	103-1666	1	Sheave-Transmission ●	47	1-513051	1	Switch-N.O.
22	103-1667	1	Sheave ●	48	322-3	4	Screw-HH 5/16-18 X 3/4
23	103-4177	1	Key	49	3290-500	2	Screw-PPH #10-24 X 5/8
24	302-19	2	Zerk-1/4-28 Str	50	1-633181	1	Plate-Tapped
25	103-1733	1	Grip	51	103-1606	1	Asm Shift Lever, W/Grip
26	323-7	4	Screw-HH 3/8-16 X 1 1/4	53	114-3550	4	Washer-Lock, Spring
				54	114-3549	4	Nut-M8
				55	1-653313	2	Gasket-Exhaust
				56	116-4397	1	Muffler

● Apply anti-seize compound in bore.

■ Use Pro-Lock, Nut Type (P/N 1-840022, .5ml tube) on threads.

# Engine Deck Assembly (cont.)

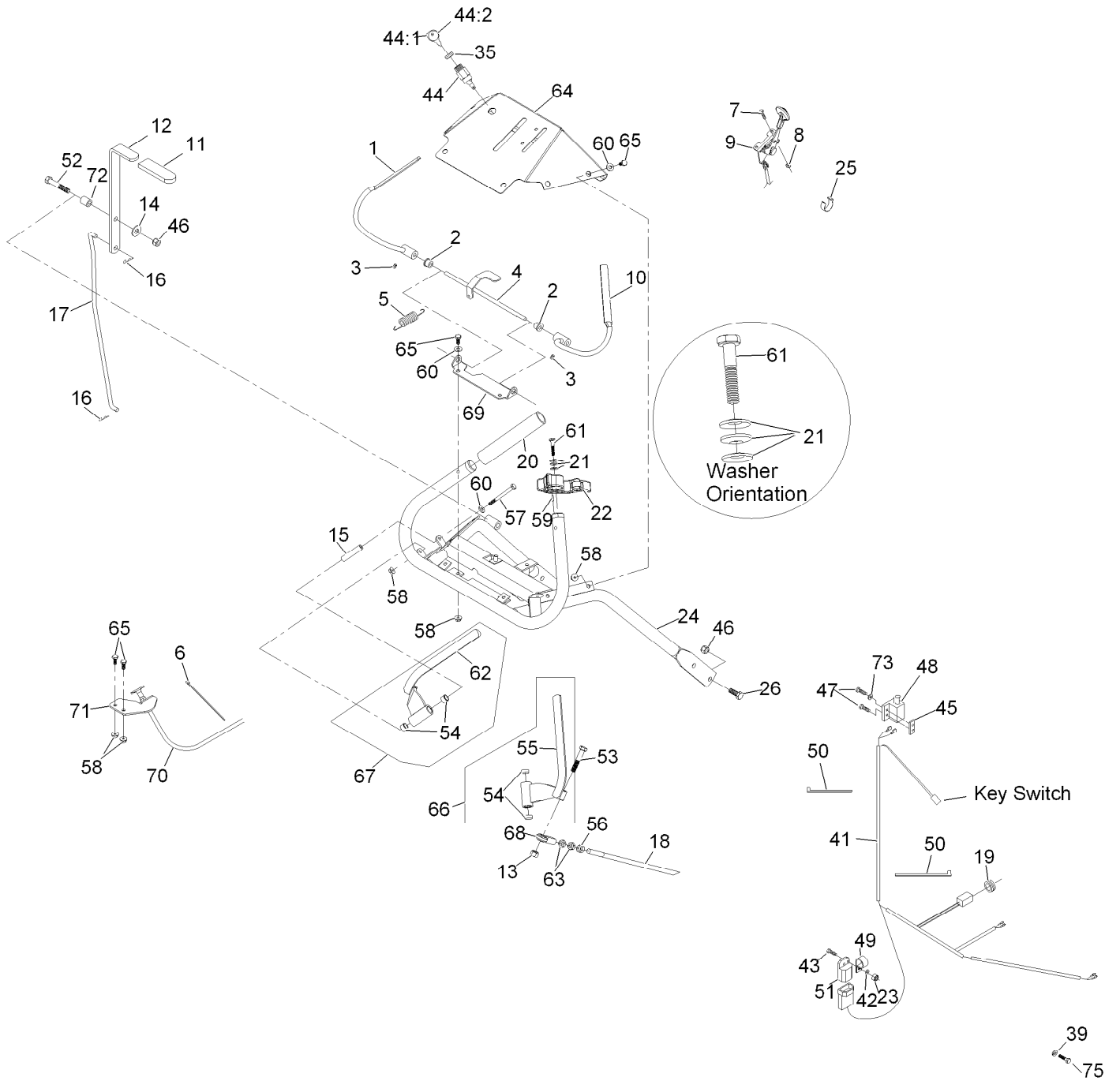


## Engine Deck Assembly (cont.) (continued)

<i>Ref.</i>	<i>Part Number</i>	<i>Qty.</i>	<i>Description</i>	<i>Ref.</i>	<i>Part Number</i>	<i>Qty.</i>	<i>Description</i>
1	103-1611-03	2	Arm-Brake	23	103-1620	1	Linkage, Brake (RH)
2	302-19	4	Zerk-1/4-28 Str	24	1-513959	2	Wingnut-Nyloc 5/16
3	1-322117-03	1	Axle	25	323-39	4	Screw-HH 3/8-16 X 5
4	2412-104	2	Clamp-R	26	1-523157	1	Washer ●
5	103-1615-03	1	Arm-Idler, LH	26	1-543436	1	Washer-Spacer ●
6	1-806003	4	Hairpin-Cotter	27	98-5975	4	Washer-Spring Disc 3/8
7	103-1616-03	1	Arm-Idler, RH	28	1-323307	2	Pin-Clevis 1/2 X 1
8	32151-47	4	Ring-Retaining	29	1-803051	2	Nut-Push 3/8
9	1-323288	2	Belt, Wheel Drive (36"&48" Models)	30	103-1618	2	Swivel, Short Adjust
10	32128-20	4	Nut-Whizlock 5/16-18	31	323-6	4	Screw-HH 3/8-16 X 1
11	1-323262	2	Band-Brake	32	109-4721	2	Asm, Wheel Drive (36"&48" Models)
12	110-5866	2	Swivel-Brake	34	109-4359	2	Drum And Sheave ASM
13	1-412358	2	Scraper	36	1-323719	2	Wheel And Tire ASM
14	3296-29	4	Nut-Nyloc 5/16-18	37	1-323720	1	Tire-Turfmaster
15	1-323277	2	Idler-Wheel, Drive	38	1-323328	1	Wheel And Hub ASM
16	322-6	2	Screw-HH 5/16-18 X 1 1/4	39	1-323329	4	Bearing-Flanged
17	99-8664	2	Bolt-HH 3/8-16 X 3 Tap	40	322-5	8	Screw-HH 5/16-18 X 1
18	3290-357	14	Nut-Whizlock 3/8-16	41	1-805005	8	Washer-Lock 5/16 Heavy
19	3296-39	4	Nut-Nyloc 3/8-16	42	32120-47	2	Ring-Retaining
20	1-323287-01	2	Shield-Wheel, Drive	44	1-808519	2	Ring-Snap
21	1-323283	4	Spacer-Shield	47	98-3259	1	Shield-Trailing
22	1-603402	2	Spring-Extension	48	322-3	2	Screw-HH 5/16-18 X 3/4
23	103-1619	1	Linkage, Brake (LH)				

● QTY As Required

# ECS Upper Handle and Controls



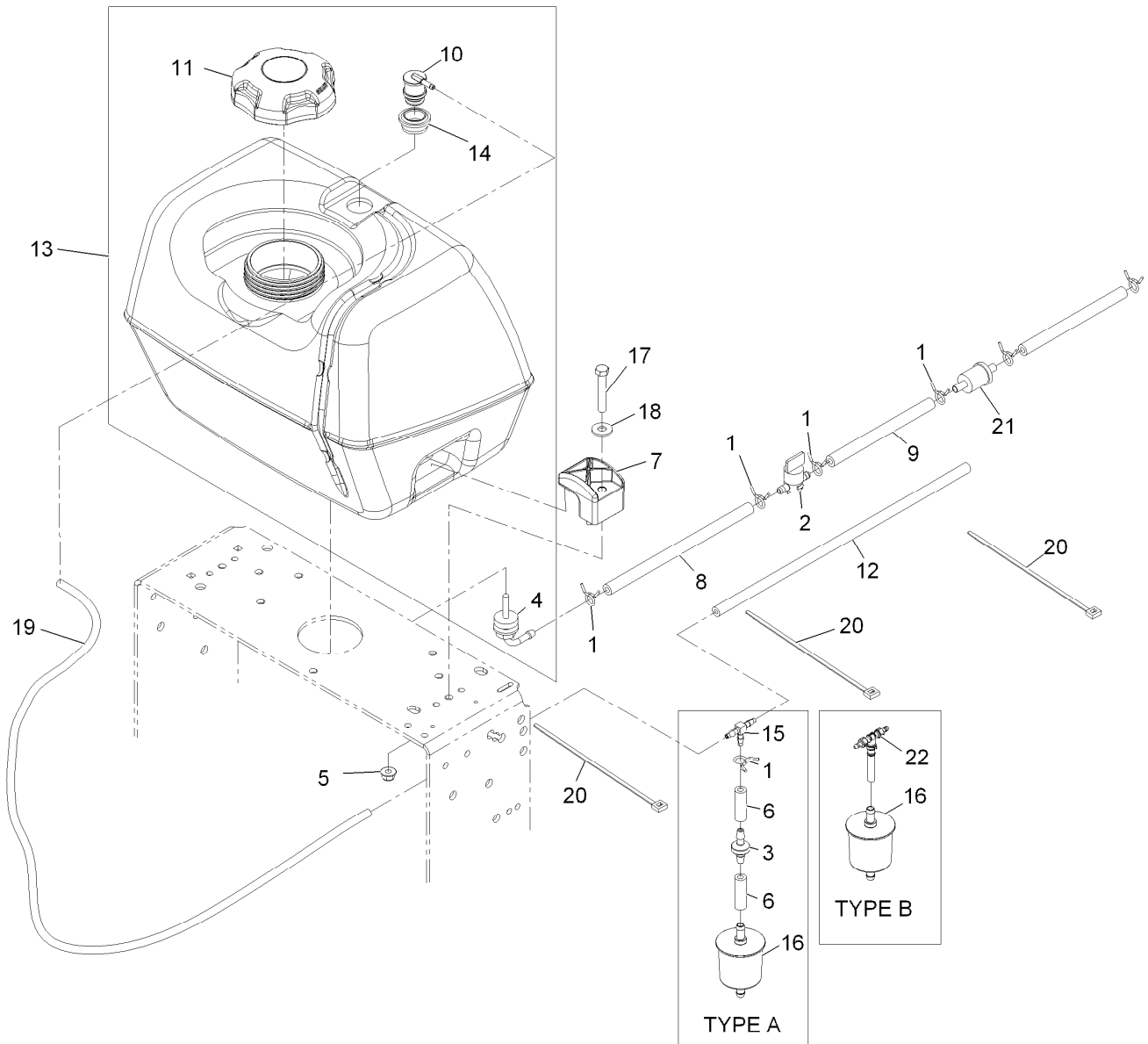
## ECS Upper Handle and Controls (continued)

<i>Ref.</i>	<i>Part Number</i>	<i>Qty.</i>	<i>Description</i>	<i>Ref.</i>	<i>Part Number</i>	<i>Qty.</i>	<i>Description</i>
1	116-4079	1	Wld, Lever, Opc (LH) ▲	44:1	1-603511	1	Key-Ignition
2	1-303365	2	Bushing-Nylon	44:2	103-2106	1	Key-Exmark Logo
3	1-803322	2	Setscrew-5/16-24 X 5/16 ■	45	1-633181	1	Plate-Tapped
4	103-0769-03	1	Wld, Opc Axle Lever	46	3296-39	5	Nut-Nyloc 3/8-16
5	1-303363	1	Spring-Extension	47	3290-500	2	Screw-PPH #10-24 X 5/8
6	1-303335	1	Tie-Cable 7 15/16 (Large)	48	1-513051	1	Switch-N.O.
7	1-807513	2	Bolt-Carriage #10-24 X 1/2	49	1-323229	1	Clip-Loom 3/8
8	3296-2	2	Nut-Nyloc #10-24	50	1-303287	6	Tie-Cable 5 1/2 (Small)
9	116-2426	1	Cable, Throttle	51	1-323430	1	Module-Interlock
10	116-4080	1	Wld, Opc Lever (RH) ▲	52	323-14	1	Screw-HH 3/8-16 X 3
11	1-303020	1	Grip-Lever	53	322-9	2	Screw-HH 5/16-18 X 1 3/4
12	103-1629	1	Lever, Clutch W/Grip	54	1-413152	4	Bushing-Sleeve
13	3296-29	2	Nut-Nyloc 5/16-18	55	116-4081-03	1	Lever, Drive LH
14	3256-4	1	Washer-3/8 Std	56	3219-3	2	Nut-Hex 3/8-24
15	103-0027	2	Bushing-Lever, Drive	57	321-14	2	Screw-HH 1/4-20 X 2 3/4
16	1-806003	2	Hairpin-Cotter	58	32128-33	12	Nut-Whizlock 1/4-20
17	103-1627	1	Linkage, Upper	59	103-0464	2	Pin-Spring 1/8 X 1/2
18	103-1604	2	Linkage, Wheel Drive	60	3256-22	10	Washer-1/4 Sae
19	1-543296	1	Grommet	61	103-0235	2	Screw-HH 1/4-20 X 1 1/8 W/Nylon ■
20	103-0815	2	Grip-Bar, Handle	62	116-4082-03	1	Lever, Drive RH
21	1-303435	6	Washer-Spring Disc 1/4	63	3220-3	4	Nut-Jam 3/8-24
22	103-1631	1	Latch, Thumb (LH) (Not Shown) ●	64	109-4934	1	Asm, Console (109-4649-03) W/Decals
22	103-1630	1	Latch, Thumb (RH)	65	321-3	10	Screw-HH 1/4-20 X 5/8
23	3296-42	1	Nut-Nyloc 1/4-20	66	103-2513	1	Asm, Drive Lever RH
24	103-0770-03	1	Wld, Handle	67	103-2514	1	Asm, Drive Lever LH
25	1-303088	1	Clip-Cable	68	103-2463	2	Balljoint
26	323-6	4	Screw-HH 3/8-16 X 1	69	103-0489-03	1	Bracket, Opc Axle
35	103-0498	1	Nut-Ignition	70	103-1796	1	Cable-Choke
39	33094-00	1	Washer	71	103-1797-01	1	Bracket-Cable, Choke
41	116-2661	1	Harness-Wire	72	1-633080	1	Spacer
42	3256-22	1	Washer-1/4 Sae	73	3256-14	1	Washer-#10 Std
43	321-4	1	Screw-HH 1/4-20 X 3/4	75	33114-016	1	Screw-HH M8-1.25 X 16Mm
44	1-403121	1	Switch-Key				

● Not illustrated

■ Use Pro-Lock, Nut Type (P/N 1-840022, .5ml tube) on threads.

▲ Use Pro-Lock retaining type, Part no. 1-840023 (.5cc tube) on inside of bore of OPC hub.



## Fuel Tank Assembly

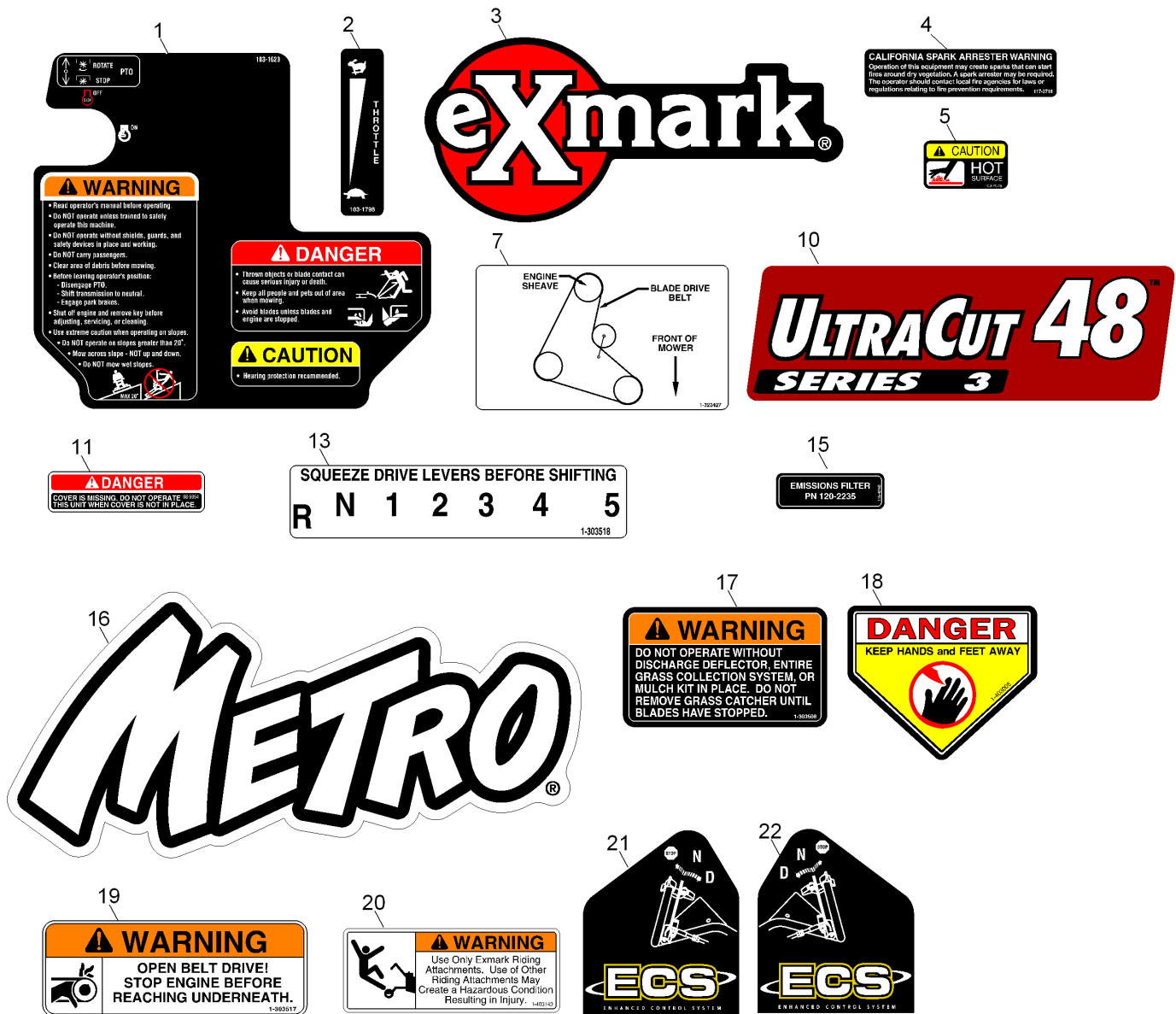
Ref.	Part Number	Qty.	Description
1	2412-98	5	Clamp-Hose
1	2412-98	4	Clamp-Hose
2	1-603770	1	Valve-Fuel
3	99-5000	1	Valve-Check, Fuel
4	103-2605	1	Fitting-Fuel Bulkhead W/Strainer ▲
5	104-8300	2	Nut-Nyloc 5/16-18 Flg
6	106-9492	2	Hose-Fuel
7	107-4543	2	Clamp
8	109-0650	1	Hose-Fuel
9	99-9415	1	Hose-Fuel
10	114-0285	1	Valve-Rollover
11	120-5461	1	Cap-Fuel, Ratcheting

Ref.	Part Number	Qty.	Description
12	115-7872	1	Hose-Fuel
13	116-3656	1	Asm-Fuel Tank
14	114-0284	1	Grommet
15	120-2234	1	Fitting-Tee
16	120-2235	1	Filter-Air
17	322-10	2	Screw-HH 5/16-18 X 2
18	3256-3	2	Washer-5/16 Std
19	116-4346	1	Hose-Emissions
20	1-303335	3	Tie-Cable 7 15/16 (Large)
21		1	Pn 41019-1055 Filter W/6In Fuel Line ■●
22	116-5464	1	Asm-Tee And Check

● Not serviced separately

▲ Use Pro-Lock, Nut Type (P/N 1-840022, .5ml tube) on threads.

■ Obtain parts from [www.kawpowerepc.com](http://www.kawpowerepc.com)



## Decals

Ref.	Part Number	Qty.	Description
1	103-1623	1	Decal, Console
2	103-1798	1	Decal, Throttle
3	103-2882	1	Decal, Exmark Logo
4	117-2718	1	Decal-Arrester, Spark
5	103-2076	1	Decal-Caution
7	103-5626	1	Decal, Belt Routing
10	116-4697	1	Decal-Ultracut 48 Series 3
10	116-4697	1	Decal-Ultracut 48 Series 3
11	98-5954	1	Decal-Cover, Missing
13	1-303518	1	Decal, Shifter

Ref.	Part Number	Qty.	Description
15	116-4769	1	Decal-Filter, Emissions
16	103-2920	1	Decal, Metro Model
17	1-303508	1	Decal-Warning, Discharge
18	1-403005	2	Decal-Danger
19	1-303517	1	Decal, Belt Drive
20	1-403143	1	Decal, Sulky Warning
21	103-2245	1	Decal, Ecs Instruction (RH)
22	103-2244	1	Decal, Ecs Instruction (LH)
99	103-2640	1	Decal, Kit ●

● Not illustrated

## SEE EXMARK'S COMPLETE LINE OF ACCESSORIES AND OPTIONS

### MID-MOUNT RIDING ACCESSORIES AND OPTIONS

CUSTOM RIDE SEAT SUSPENSION SYSTEM	OPERATOR CONTROLLED DISCHARGE
FULL SUSPENSION SEAT	ROLL OVER PROTECTION SYSTEM (ROPS)
DECK LIFT ASSIST KIT	SUN SHADE
HITCH KIT	TRASH CONTAINER
LIGHT KIT	TURF STRIPER
12V POWER PORT	ULTRA VAC COLLECTION SYSTEM
MICRO-MULCH SYSTEM	ULTRA VAC QUICK DISPOSAL SYSTEM

### OUT-FRONT RIDING ACCESSORIES AND OPTIONS

CUSTOM RIDE SEAT SUSPENSION SYSTEM	SNOW BLADE
DUAL-TAIL WHEEL	SNOWBLOWER
FLOOR PAN EXTENDER	SUN SHADE
HITCH KIT	TRASH CONTAINER
LIGHT KIT	ULTRA VAC COLLECTION SYSTEM
MICRO-MULCH SYSTEM	ULTRA VAC QUICK DISPOSAL SYSTEM
ROLL OVER PROTECTION SYSTEM (ROPS)	WEATHER CAB

### WALK-BEHIND ACCESSORIES AND OPTIONS

GRASS CATCHER	TURF STRIPER
MICRO-MULCH SYSTEM	STANDON

Place Model No. and Serial No.  
Label Here (Included in the Literature  
Pack) or Fill in Below

Model No. \_\_\_\_\_

Serial No. \_\_\_\_\_

Date Purchased \_\_\_\_\_

Engine Model No. and Spec. No. \_\_\_\_\_

Engine Serial No. (E/No) \_\_\_\_\_

© 2011 Exmark Mfg. Co., Inc.  
Industrial Park Box 808  
Beatrice, NE 68310  
All Rights Reserved

Part No. 4500-765 Rev. B  
(402) 223-6300  
Fax (402) 223-5489  
Printed in the USA.

